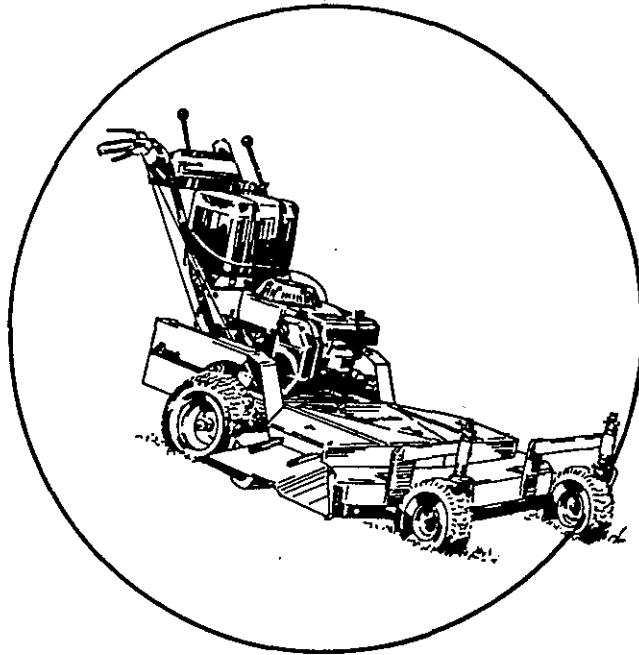




# Viking



## Parts Manual

CONGRATULATIONS on the purchase of your new Exmark mower. This product has been carefully designed and manufactured to give you a maximum amount of dependability and years of trouble-free operation.

If you need to order replacement parts from your dealer, please furnish the serial number and model number from your mower, as well as the part number and description of the part you need.

For your convenience, we have provided this space for you to record the model and serial number from your mower. Please read this booklet and keep handy for all operators and servicemen.

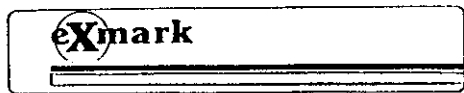
MODEL NO. \_\_\_\_\_

SERIAL NO. \_\_\_\_\_

DATE PURCHASED \_\_\_\_\_

PURCHASED FROM \_\_\_\_\_

\_\_\_\_\_

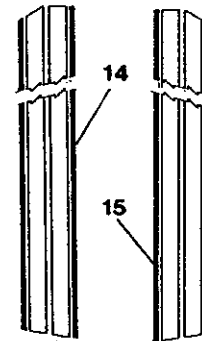
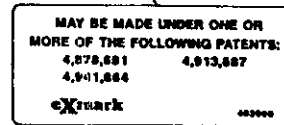
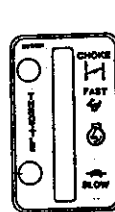
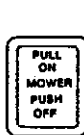
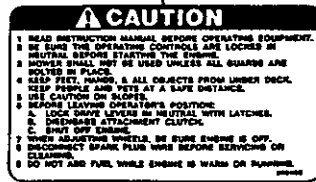


COMMERCIAL

48



36



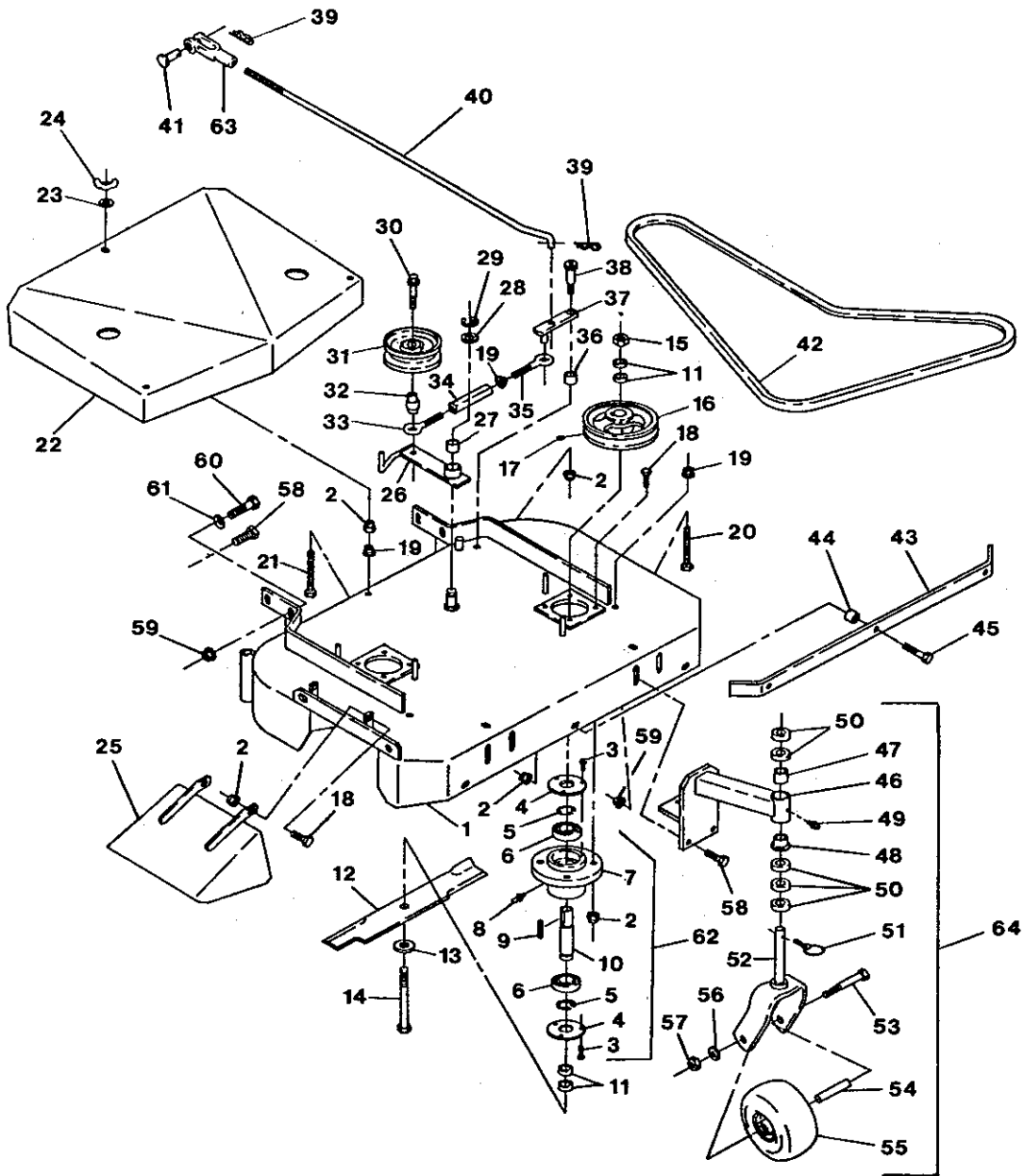
## DECALS

KEY PART # QTY. DESCRIPTION

1.....	323140.....	1.....	Decal - Upper Handle
2.....	543788.....	1.....	Decal - Exmark Large
3.....	303085.....	1.....	Instruction Label
4.....	603484.....	1.....	Decal - Clutch Cover LH
5.....	603485.....	1.....	Decal - Clutch Cover RH
6.....	403080.....	1.....	Decal - Patent
7.....	303293.....	1.....	Decal - 2 Minute Cool
8.....	303010.....	1.....	Decal - Caution
9.....	303205.....	2.....	Small Exmark Label
10.....	403034.....	1.....	Commercial Decal

KEY PART # QTY. DESCRIPTION

11.....	323141.....	1.....	Decal - Mower Engagement
12.....	323151.....	1.....	Decal - Throttle/Choke
13.....	603478.....	1.....	Decal - Shifter
14.....	303468.....	1.....	Decal - Shield RH
15.....	303467.....	1.....	Decal - Shield LH
16.....	303102.....	2.....	Neutral Lock Label
17.....	543774.....	1.....	Decal - Danger
18.....	303096.....	1.....	36" Label
19.....	403020.....	1.....	48" Label
20.....	403005.....	1.....	Danger Label



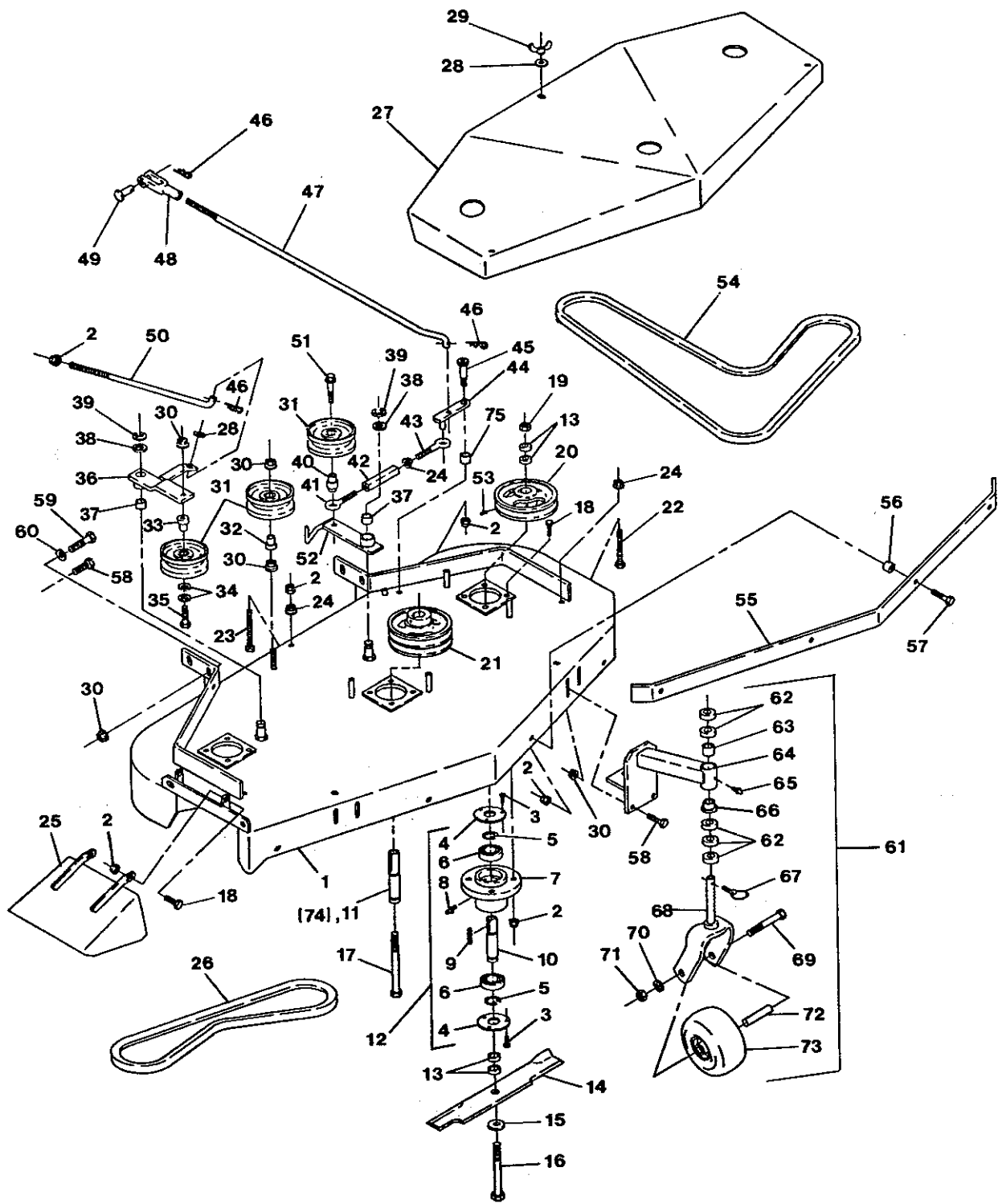
## 36" MOWER DECK

### KEY PART # QTY. DESCRIPITON

1.....	302131.....	1.....	36" Front Deck
2.....	804256.....	15.....	5/16 - 18 Nyloc Hex Nut
3.....	801035.....	12.....	#10 - 24 x 3/8 Pan Sltd. Head Machine Screw
4.....	303188.....	4.....	Cutter Housing Cap
5.....	808504.....	4.....	Snap Ring
6.....	303057.....	4.....	Cutter Housing Bearing
7.....	303189.....	2.....	Cutter Housing
8.....	811001.....	2.....	1/8 N.P.T. Straight Zerk
9.....	807263.....	2.....	1/4 Sq. x 1 - 1/4 Key
10.....	303187.....	2.....	Cutter Housing
11.....	303164.....	8.....	Blade Drive Spacer
12.....	303146.....	2.....	Blade - 18" High Lift
13.....	805268.....	2.....	5/8 Std. Flatwasher
14.....	800860.....	2.....	5/8 - 18 x 7.25 (7.5) Gr. 5 HH
15.....	804510.....	2.....	5/8 - 18 UNF Hex Nut
16.....	303073.....	2.....	Pulley - Cast Iron
17.....	803310.....	4.....	Setscrew - 5/16 - 18 x 3/8
18.....	800273.....	10.....	5/16 - 18 x 1 HH Capscrew
19.....	809001.....	4.....	5/16 - 18 Whizlock Nut
20.....	800021.....	2.....	5/16 - 18 x 3 HH Tapbolt
21.....	800020.....	1.....	Tapbolt - .31 - 18 x 3.5 HH
22.....	302162.....	1.....	Shield Weldment - 36"
23.....	805258.....	3.....	5/16 Std. Flatwasher
24.....	803014.....	3.....	5/16 NC Wing Nut
25.....	302054.....	1.....	Chute
26.....	302129.....	1.....	Engagement Arm w/Bushing
27.....	303144.....	1.....	Powder Metal Bearing
28.....	303352.....	1.....	Washer - Spindle
29.....	808505.....	1.....	E - Ring for .875 Rd.
30.....	803003.....	1.....	3/8 - 16 x 1 - 3/4 Whizlock Bolt
31.....	603497.....	1.....	Heavy Duty Idler Pulley
32.....	303434.....	1.....	Engagement Bushing
33.....	303348.....	1.....	Left Thd. Eye Bolt
34.....	303236.....	1.....	Turnbuckle Body

### KEY PART # QTY. DESCRIPITON

35.....	303238.....	1.....	Right Thd. Eye Bolt
36.....	403008.....	1.....	Spacer Assist Arm
37.....	302098.....	1.....	Assist Arm
38.....	809011.....	1.....	3/8 x 3/4 Knurled Hd Setscrew
39.....	806003.....	2.....	Hairpin Cotter
40.....	303270.....	1.....	Assist Arm Linkage
41.....	808280.....	1.....	5/16 x 1 Clevis Pin
42.....	303080.....	1.....	Drive Belt to Blades
43.....	303210.....	1.....	36" Bumper
44.....	303033.....	3.....	Spacer
45.....	800276.....	3.....	5/16 - 18 x 1 - 3/4 HH Capscrew
46.....	302106.....	2.....	Caster Wheel Support Weldment
47.....	303041.....	2.....	Straight Bearing
48.....	303044.....	2.....	Flange Thrust Bearing
49.....	811001.....	2.....	Grease Zerk - 1/8 NPT
50.....	303314.....	10.....	Spacer - 10" Caster
51.....	809020.....	2.....	Quick Pin
52.....	302152.....	2.....	Caster Weldment - Mid - Size
53.....	800334.....	2.....	1/2 - 13 x 6 HH Capscrew
54.....	513547.....	2.....	Spacer - Front Caster
55.....	513648.....	2.....	9 x 3.50 - 4 W & T Assembly
	513807.....	2.....	Wheel & Hub
	513808.....	2.....	Tire - 9 x 3.50 - 4, 4 Ply
	513809.....	2.....	Roller Bearing
	513810.....	4.....	Bushing
56.....	805008.....	2.....	1/2 Reg. Spring Lockwasher
57.....	804509.....	2.....	1/2 - 13 Reg. Hex Nut
58.....	800292.....	4.....	3/8 - 16 x 1 HH Capscrew
59.....	809007.....	12.....	Nut - 3/8 - 16 Whizlock
60.....	800294.....	2.....	3/8 - 16 x 1 - 1/2 HH Capscrew
61.....	303327.....	6.....	3/8 Disc Spring Washer
62.....	302030.....	2.....	Cutter Housing - Complete
63.....	303105.....	1.....	Yoke
64.....	301020.....	1.....	Caster Set - 9 x 3.50 - 4 Smooth



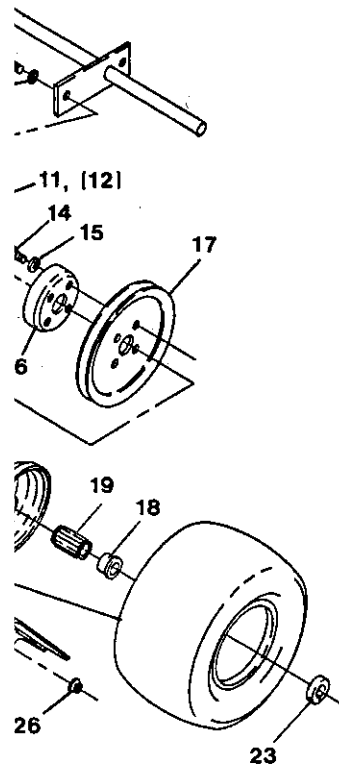
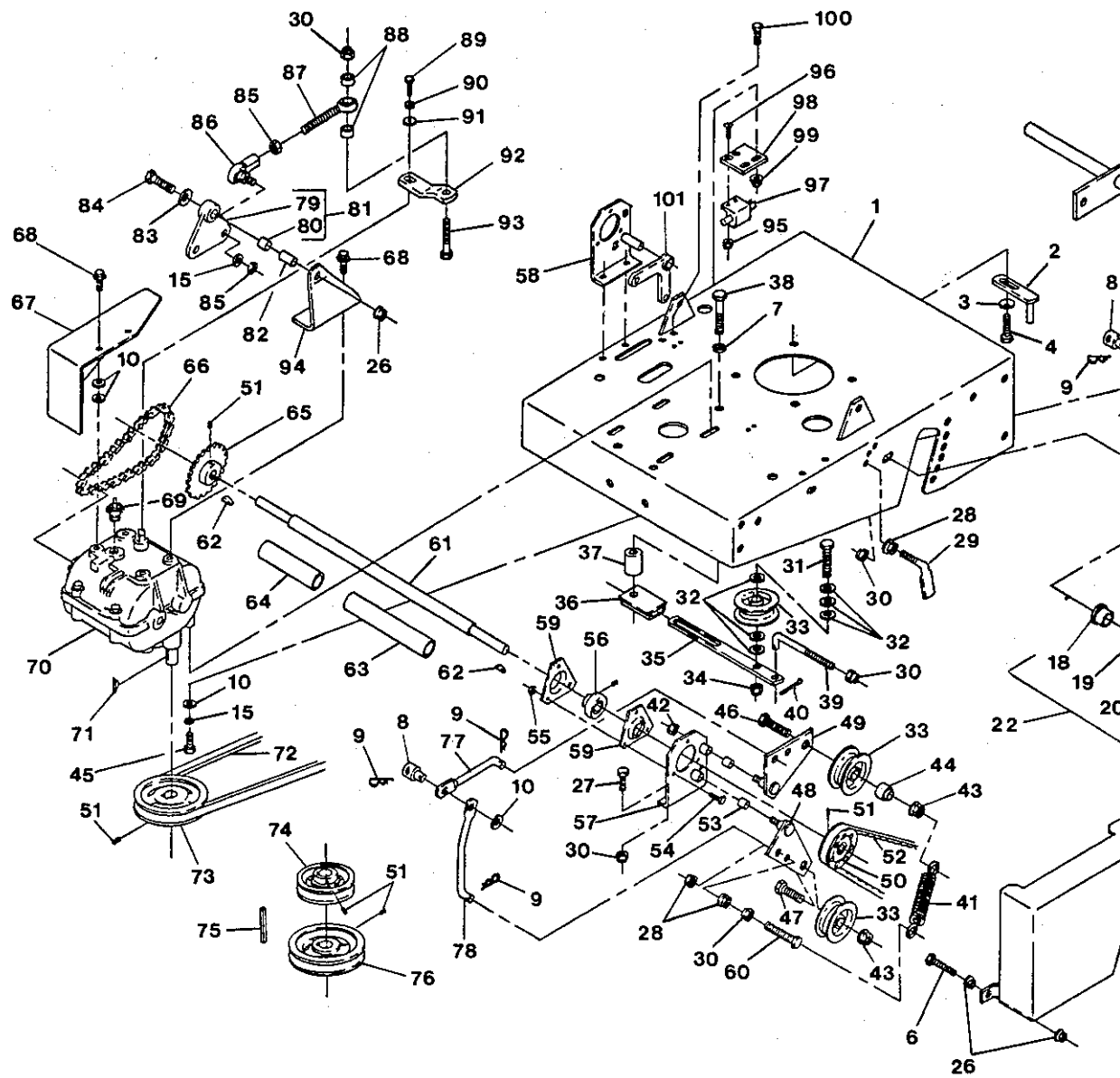
## 48" MOWER DECK

**KEY PART # QTY. DESCRIPITON**

1.....	402032.....	1.....	Front Deck Weld - 48"
2.....	804256.....	21.....	5/16 - 18 Nyloc Hex Nut
3.....	801035.....	18.....	#10 - 24 x 3/8 Pan Std. Head Machine Screw
4.....	303188.....	6.....	Cutter Housing Cap
5.....	808504.....	6.....	Snap Ring
6.....	303057.....	6.....	Cutter Housing Bearing
7.....	303189.....	3.....	Cutter Housing
8.....	811001.....	3.....	1/8 N.P.T. Straight Zerk
9.....	807263.....	3.....	1/4 Sq. x 1 - 1/4 Key
10.....	303187.....	2.....	Cutter Spindle
11.....	403033.....	1.....	Long Cutter Spindle
12.....	302030.....	2.....	Cutter Housing - Complete
13.....	303164.....	12.....	Blade Drive Spacer
14.....	403026.....	3.....	Blade - High Lift 16"
15.....	805268.....	3.....	5/8 Std. Flatwasher
16.....	800860.....	2.....	5/8 - 18 x 7.25 (7.5) G5 HH Cpscr.
17.....	800861.....	1.....	5/8 - 18 x 8 Gr 5 HH Cpscr.
18.....	800273.....	14.....	5/16 - 18 x 1 HH Cpscr.
19.....	804510.....	3.....	5/8 - 18 UNF Hex Nut
20.....	303073.....	2.....	Pulley - Cast Iron
21.....	403032.....	1.....	Double Pulley
22.....	800021.....	2.....	5/16 - 18 x 3 HH Tapbolt
23.....	800020.....	1.....	Tapbolt - .31 - 18 x 3.5 HH
24.....	809001.....	4.....	5/16 - 18 Whizlock Nut
25.....	302054.....	1.....	Chute Assembly
26.....	403025.....	1.....	Veel Belt - Front Deck
27.....	402028.....	1.....	Shield Weldment - 48"
28.....	805258.....	4.....	5/16 Std. Flatwasher
29.....	803014.....	3.....	5/16 NC Wing Nut
30.....	809007.....	15.....	Nut - 3/8 - 16 Whizlock
31.....	603497.....	3.....	Idler Pulley
32.....	403074.....	1.....	Bushing - Idler
33.....	603496.....	1.....	Bushing - Idler Bearing
34.....	805260.....	2.....	Flat Washer - 3/8 Std.
35.....	800296.....	1.....	Capscrew
36.....	402017.....	1.....	Idler Arm, Rt. Comp. w/Bushing
37.....	303144.....	1.....	Powder Metal Bearing
38.....	303352.....	2.....	Washer - Spindle
39.....	808505.....	2.....	E - Ring f/.875 Rd.
40.....	303434.....	1.....	Engagement Bushing

**KEY PART # QTY. DESCRIPITON**

41.....	303348.....	1.....	Left Thd. Eye Bolt
42.....	303236.....	1.....	Turnbuckle Body
43.....	303238.....	1.....	Right Thd. Eye Bolt
44.....	302098.....	1.....	Assist Arm
45.....	809011.....	1.....	3/8 x 3/4 Knur Hd.
46.....	806003.....	3.....	Hairpin Cotter
47.....	303270.....	1.....	Assist Arm Linkage
48.....	303105.....	1.....	Yoke
49.....	808280.....	1.....	5/16 x 1 Clevis Pin
50.....	403015.....	1.....	Belt Tension Rod
51.....	803003.....	1.....	3/8 - 16 x 1 - 3/4 Whizlock Bolt
52.....	402022.....	1.....	Engagement Arm w/Bushing
53.....	803310.....	6.....	Setscrew - 5/16 - 18 x 3/8 Knurl Cuppoint
54.....	403024.....	1.....	Veel Belt - Main Deck
55.....	403068.....	1.....	48" Bumper
56.....	303033.....	4.....	Spacer
57.....	800276.....	4.....	5/16 - 18 x 1 - 3/4 HH Capscrew
58.....	800292.....	10.....	3/8 - 16 x 1 HH Capscrew
59.....	800294.....	2.....	3/8 - 16 x 1 - 1/2 HH Capscrew
60.....	303327.....	6.....	3/8 Disc Spring Washer
61.....	301020.....	1.....	Caster Set - 9 x 3.50 - 4 Smooth
62.....	303314.....	10.....	Spacer - 10" Caster
63.....	303041.....	2.....	Straight Bearing
64.....	302106.....	2.....	Caster Wheel Support Weldment
65.....	811001.....	2.....	Grease Zerk - 1/8 NPT
66.....	303044.....	2.....	Flange Thrust Bearing
67.....	809020.....	2.....	Quick Pin
68.....	302152.....	2.....	Caster Weldment - Mid - Size
69.....	800334.....	2.....	1/2 - 13 x 6 HH Capscrew
70.....	805008.....	2.....	1/2 Reg. Spring Lockwasher
71.....	804509.....	2.....	1/2 - 13 Reg. Hex Nut
72.....	513547.....	2.....	Spacer - Front Caster
73.....	513648.....	2.....	9 x 3.50 - 4 W & T Assy.
	513807.....	2.....	Wheel & Hub
	513808.....	2.....	Tire - 9 x 3.50 - 4, 4 Ply
	513809.....	2.....	Roller Bearing
	513810.....	4.....	Bushing
74.....	402006.....	1.....	Center Cutter Housing
75.....	403008.....	1.....	Spacer Assist Arm



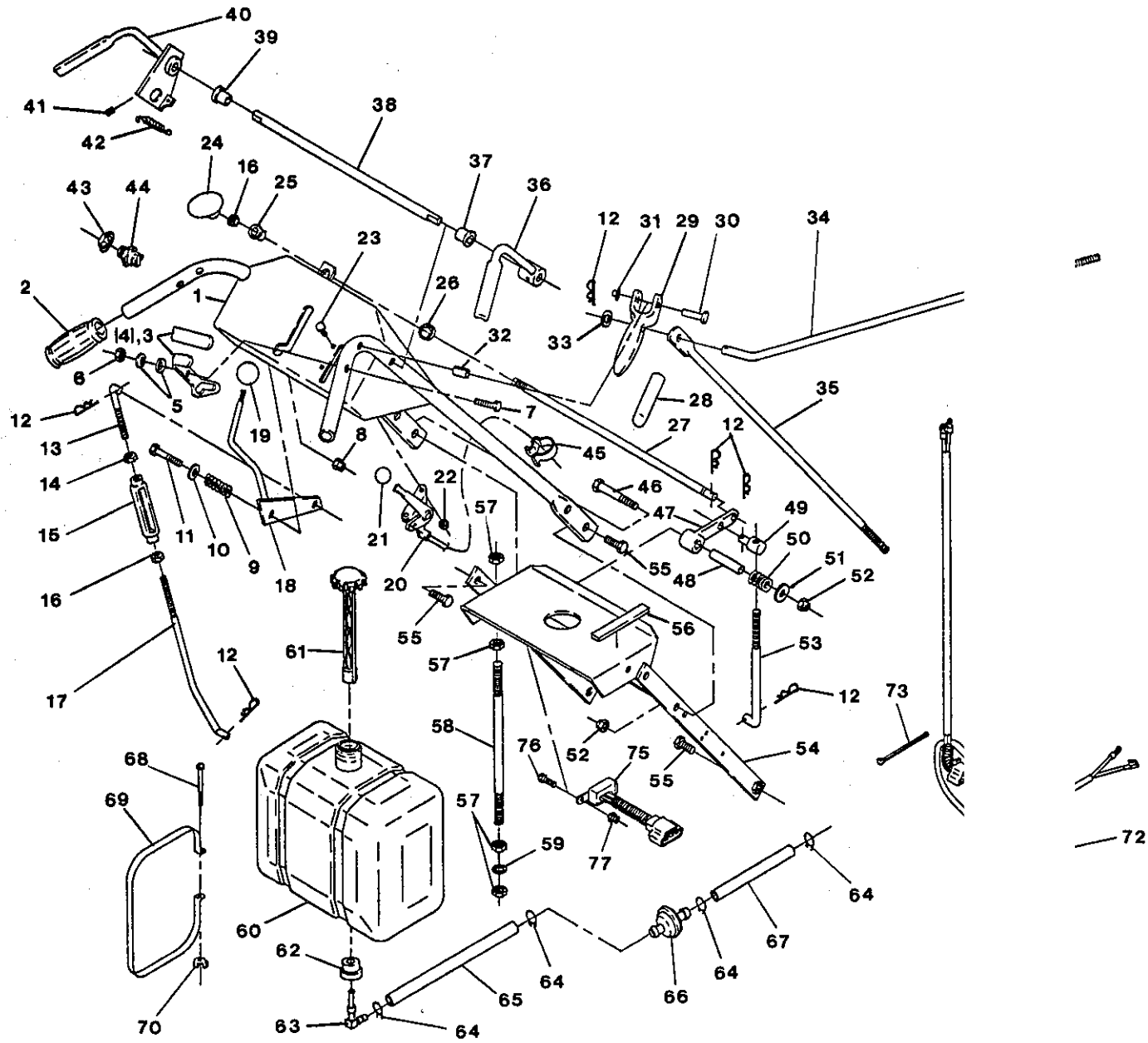
- 7 -

# ENGINE DECK GROUP

KEY	PART #	QTY.	DESCRIPTION
1.....	322079.....	1.....	Rear Deck Weld - 5-Speed
2.....	322012.....	3.....	Belt Guide Weldment
3.....	303334.....	4.....	5/16 Disc Spring Washer, Kawasaki & Kohler
	303429.....	4.....	Disc Spring - 3/8 (Brgs. Vngrd.)
4.....	809018.....	4.....	8mm x 30mm HH Capscrew, Kawasaki & Kohler
	809035.....	4.....	3/8 - 16 x 1 Taptite (Brgs. Vngrd.)
5.....	302035.....	1.....	Axle Assembly
6.....	800292.....	6.....	3/8 - 16 x 1 HH Capscrew
7.....	805006.....	5.....	3/8 Hvy. Spring Lockwasher
8.....	303168.....	4.....	Adjust Swivel - Short
9.....	806003.....	8.....	Hairpin Cotter
10.....	805258.....	14.....	5/16 Std. Flatwasher
11.....	302117.....	1.....	Brake Assembly - Right
12.....	302119.....	1.....	Brake Assembly - Left (Not Shown)
13.....	303062.....	2.....	Wheel Spacer
14.....	800273.....	8.....	5/16 - 18 x 1 HH Capscrew
15.....	805005.....	13.....	5/16 Hvy Spring Lockwasher
16.....	303463.....	2.....	Brake Drum
17.....	303464.....	2.....	Sheave - 9" B Split Steel
18.....	303123.....	4.....	Flange Bearing
19.....	303122.....	4.....	Roller Bearing
20.....	302160.....	2.....	Wheel & Hub
21.....	303125.....	2.....	Tire - 13 x 6.50 - 6, 2 Ply
22.....	303469.....	2.....	Wheel & Tire - 13 x 6.50 - 6
23.....	809005.....	2.....	7/8 Clamp - Tite Collar
24.....	322077.....	1.....	RH Fender Weld - Gray
25.....	322076.....	1.....	LH Fender Weld - Gray (Not Shown)
26.....	809007.....	7.....	Nut - 3/8 - 16 Whizlock
27.....	800271.....	4.....	5/16 - 18 x 3/4 HH Capscrew
28.....	809001.....	6.....	5/16 - 18 Whizlock Nut, Pltd.
29.....	303151.....	2.....	Scraper
30.....	804256.....	10.....	5/16 - 18 Nyloc Hex Nut
31.....	800297.....	1.....	3/8 - 16 x 2 - 1/4 Hex Head Capscrew
32.....	805260.....	6.....	3/8 Std. Flatwasher
33.....	303076.....	5.....	Idler Pulley
34.....	804257.....	1.....	3/8 - 16 Nyloc Hex Nut
35.....	303175.....	1.....	Slide Bar
36.....	302041.....	1.....	Bracket Slide
37.....	323037.....	1.....	Slide Spacer
38.....	800298.....	1.....	3/8 - 16 x 2 - 1/2 HH Capscrew
39.....	323038.....	1.....	Tightening Arm
40.....	806753.....	1.....	3/32 x 1/2 Cotter Pin
41.....	323071.....	2.....	Drive Spring - 5-Speed
42.....	803013.....	4.....	Torque Nut - 5/16 - 18
43.....	809001.....	4.....	Whizlock Nut - 5/16
44.....	323119.....	2.....	Spacer
45.....	800272.....	4.....	5/16 - 18 x 7/8 HH Capscrew
46.....	800298.....	2.....	Capscrew - 3/8 - 16 x 2 - 1/2 HH
47.....	800294.....	2.....	Capscrew - 3/8 - 17 x 1 - 1/2 HH
48.....	322038.....	2.....	Arm Weldment - Idler
49.....	322040.....	2.....	Arm Weldment - Idler
50.....	303409.....	2.....	Pulley - Wheel Drive

KEY	PART #	QTY.	DESCRIPTION
51.....	803310.....	9.....	Setscrew, 5/16 - 18 x 3/8
52.....	323051.....	2.....	Cog Belt
53.....	303143.....	4.....	Bronze Sleeve Bearing
54.....	800251.....	6.....	Capscrew, 1/4 - 20 x 5/8 Hex Head
55.....	804255.....	6.....	Nyloc Hex Nut, 1/4 - 20
56.....	303067.....	2.....	Shaft Bearing with Collar
57.....	322041.....	1.....	RH Caliper Support w/Bushings
58.....	322042.....	1.....	LH Caliper Support w/Bushings
59.....	303066.....	4.....	Shaft Flange
60.....	800019.....	2.....	Full Thread Bolt, 5/16 - 18 x 2 - 1/4
61.....	323109.....	1.....	Jackshaft
62.....	807006.....	3.....	#61 Woodruff Key
63.....	323117.....	1.....	Jackshaft Cover - RH 7.13
64.....	323108.....	1.....	Jackshaft Cover - LH 4.7
65.....	323110.....	1.....	Sprocket
66.....	323111.....	1.....	Drive Chain
67.....	323035.....	1.....	Chain Guard
68.....	809013.....	4.....	5/16 - 18 x 3/4 Tapping
69.....	303282.....	1.....	Neutral Start Switch
70.....	322057.....	1.....	Trans. w/#40 Sprocket
71.....	807009.....	1.....	#9 Woodruff Key
72.....	403018.....	1.....	Vee Belt - Transmission
73.....	403019.....	1.....	Transmission Pulley
74.....	323070.....	1.....	Transmission Drive Pulley
75.....	807264.....	1.....	1/4 Sq. x 2 - 5/8 Machine Key
76.....	303073.....	1.....	Blade Drive Pulley
77.....	323082.....	2.....	Linkage - Upper Caliper
78.....	323084.....	1.....	Linkage - Lower RH Caliper
	323086.....	1.....	Linkage - Lower LH Caliper (Not Shown)
79.....	602432.....	1.....	Bellcrank Weldment - Shift
80.....	513034.....	1.....	Pivot Bearing
81.....	602522.....	1.....	Bellcrank Sub Assembly
82.....	603369.....	1.....	Bushing, 3/8 x 5/8
83.....	805259.....	1.....	3/8 Flatwasher
84.....	800295.....	1.....	3/8 - 16 x 1 - 3/4 HH Capscrew
85.....	804521.....	2.....	Nut, 5/16 - 24 Hex
86.....	513132.....	1.....	Ball Joint
87.....	603372.....	1.....	Ball Joint, 5/16 Male
88.....	603500.....	2.....	Spacer
89.....	800502.....	1.....	1/4 - 28 x 3/4 HH Capscrew
90.....	805004.....	1.....	1/4 Heavy Spring Lockwasher
91.....	805256.....	1.....	1/4 Std. Flatwasher
92.....	323126.....	1.....	Lever - Transmission
93.....	800276.....	1.....	5/16 - 18 x 1 - 3/4 HH Capscrew
94.....	323131.....	1.....	Mount - Bellcrank
95.....	804252.....	2.....	#10 - 24 Nyloc Hex Nut
96.....	803017.....	2.....	Machine Screw - #10 - 24 x .63 Countersunk
97.....	513051.....	1.....	Switch - Neutral Lockout
98.....	323128.....	1.....	Bracket - Mower Safety Switch
99.....	809012.....	2.....	1/4 - 20 Whizlock Nut
100.....	800252.....	2.....	1/4 - 20 x 3/4 HH Capscrew
101.....	303186.....	1.....	Bellcrank





## HANDLE AND CONTROLS GROUP

KEY PART # QTY. DESCRIPITON

1.....	322075.....	1.....	Handle Weldment - 5-Speed
2.....	303097.....	2.....	Handle Grip
3.....	302007.....	1.....	Right Latch w/Grip
4.....	302005.....	1.....	Left Latch w/Grip
5.....	303435.....	4.....	Washer - 1/4 Disc Spring
6.....	803011.....	2.....	1/4-20 Torque Nut
7.....	800256.....	2.....	1/4-20 x 1-1/2 HH Capscrew
8.....	804256.....	1.....	5/16-18 Nyloc Hex Nut
9.....	603325.....	1.....	Spring, 5/8 Diz. Compression
10.....	805257.....	1.....	5/16 SAE Washer
11.....	800277.....	1.....	5/16-18 x 2 HH Capscrew
12.....	806003.....	7.....	Hairpin Cotter
13.....	513703.....	1.....	Rod - RH PTO Lower
14.....	804761.....	1.....	Jam Nut - LH 5/16-18
15.....	513705.....	1.....	Body - Turnbuckle
16.....	804751.....	2.....	Jam Nut - RH 5/16-18
17.....	513540.....	1.....	Rod - PTO Lower
18.....	602456.....	1.....	Lever Weld - Shift
19.....	603175.....	1.....	Knob - 1-3/8
20.....	323129.....	1.....	Control Cable - Throttle
21.....	513592.....	1.....	Knob - Red Ball
22.....	804252.....	2.....	#10-24 Nyloc Hex Nut
23.....	807513.....	2.....	#10-24 x 1/2 RH SN
24.....	323134.....	1.....	Knob - Push/Pull
25.....	323143.....	1.....	Nylon Bearing - .38 ID
26.....	323142.....	1.....	Pushnut - .50 Shaft
27.....	323123.....	1.....	Link - Blade Push/Pull
28.....	303021.....	2.....	Drive Lever Grip
29.....	302006.....	2.....	Drive Lever w/Grip
30.....	808250.....	2.....	3/16 x 1-3/4 Clevis Pin
31.....	803001.....	2.....	3/16 Palnut
32.....	806340.....	2.....	5/16 x 1 Rollpin
33.....	805258.....	2.....	5/16 Std. Flatwasher
34.....	323089.....	2.....	Brake Linkage
35.....	323025.....	2.....	Caliper Linkage
36.....	302138.....	1.....	Lever Weldment - OPC RH
37.....	303365.....	1.....	Nylon Bushing
38.....	303364.....	1.....	Connecting Rod
39.....	303369.....	1.....	Bushing - Flanged
40.....	602507.....	1.....	Lever Weldment - OPC LH
41.....	803322.....	2.....	5/16-24 x 5/16 Setscrew
42.....	303363.....	1.....	Actuator Spring

KEY PART # QTY. DESCRIPITON

43.....	803034.....	1.....	9/16-18 Palnut
44.....	303372.....	1.....	Operator Control Switch
45.....	303088.....	1.....	Cable Clip
46.....	800300.....	1.....	3/8-16 x 3 Hex Capscrew
47.....	323139.....	1.....	Lever - Blade Engagement
48.....	323133.....	1.....	Bushing
49.....	303168.....	1.....	Adjust Swivel - Short
50.....	303160.....	1.....	Compression Spring
51.....	805260.....	1.....	3/8 Std. Flatwasher
52.....	804257.....	4.....	3/8-16 Nyloc Hex Nut
53.....	323121.....	1.....	Link - Blade Midl.
54.....	322073.....	1.....	Handle Weldment - 5-Speed
55.....	800292.....	5.....	3/8-16 x 1 HH Capscrew
56.....	303315.....	2.....	Gas Tank Pad
57.....	804509.....	8.....	1/2-13 Reg Hex Nut
58.....	303173.....	2.....	Handle Brace
59.....	805008.....	2.....	1/2 Reg Spring Lockwasher
60.....	543364.....	1.....	Tank - Gas
61.....	543365.....	1.....	Cap - Fuel Tank Gauge
62.....	513645.....	1.....	Bushing - Fuel Valve
63.....	513646.....	1.....	Valve - Fuel Shut-Off
64.....	303077.....	4.....	Clamp - Gas Line
65.....	303306.....	1.....	Gas Line - 11" (Kohler)
	303471.....	1.....	Gas Line - 12" (Kawasaki)
	303472.....	1.....	Gas Line - 19" (Briggs Vanguard)
66.....	303197.....	1.....	Gas Filter
67.....	303306.....	1.....	Gas Line - 11" (Kohler)
	303307.....	1.....	Gas Line - 4.5" (Kawasaki)
	303022.....	1.....	Gas Line - 8.5" (14 H.P. Kawasaki)
68.....	801062.....	2.....	Machine Screw, .25-20 x 3
69.....	303465.....	2.....	Strap - 5 Gal. Fuel Tank
70.....	543792.....	2.....	Wingnut - Nyloc 1/4
71.....	323147.....	1.....	Wiring Harness - Kawasaki
	323148.....	1.....	Wiring Harness - Briggs
	323149.....	1.....	Wiring Harness - Kohler
72.....	543296.....	1.....	Grommet
73.....	303335.....	1.....	Plastic Tie, 7-15/16
74.....	303287.....	4.....	Plastic Tie, 5.5 x .044 x 1
75.....	323145.....	1.....	Interlock - Brg/Kaw OPC
	323146.....	1.....	Interlock - Kohler OPC
76.....	800251.....	1.....	1/4-20 x 5/8 HH Capscrew
77.....	804255.....	1.....	1/4-20 Nyloc Hex Nut

EXMARK MFG. CO., INC.  
INDUSTRIAL PARK BOX 748  
402/223-4010

PART # 850103  
BEATRICE, NE 68310  
FAX 402/223-4154

ALL RIGHTS RESERVED

PRINTED IN U.S.A.



MFG. CO. INC.