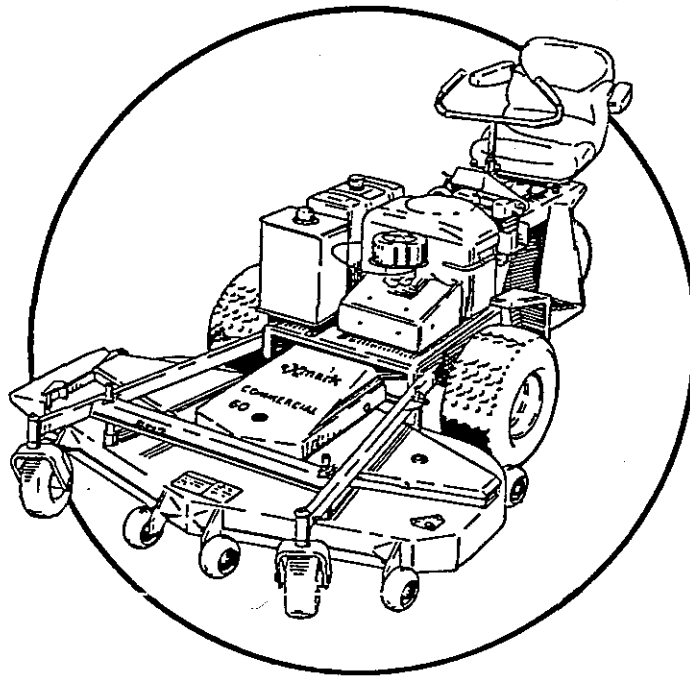




# Turf Ranger



## Parts Manual

CONGRATULATIONS on the purchase of your new Exmark mower. This product has been carefully designed and manufactured to give you a maximum amount of dependability and years of trouble-free operation.

If you need to order replacement parts from your dealer, please furnish the serial number and model number from your mower, as well as the part number and description of the part you need.

For your convenience, we have provided this space for you to record the model and serial number from your mower. Please read this booklet and keep handy for all operators and servicemen.

MODEL NO. \_\_\_\_\_

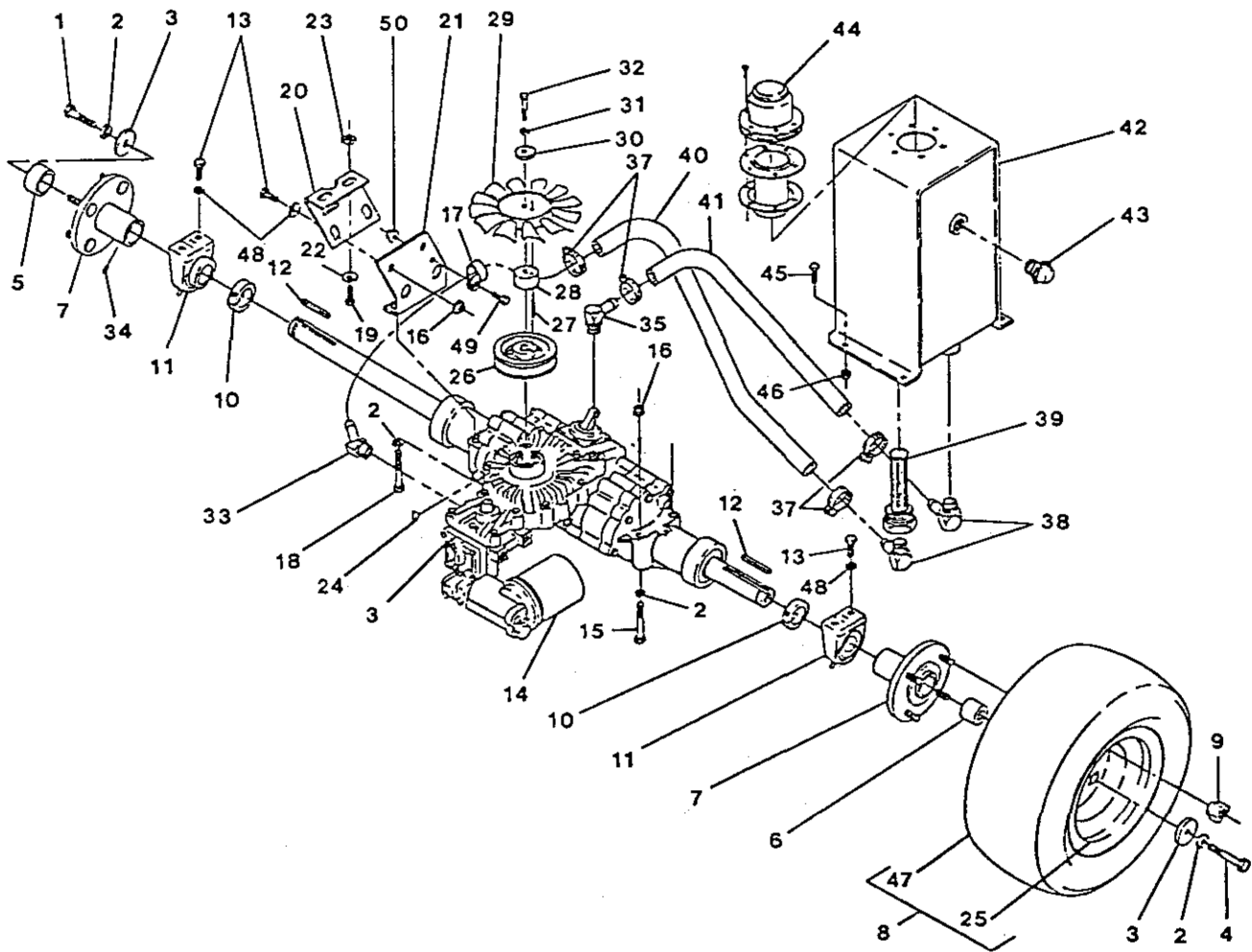
SERIAL NO. \_\_\_\_\_

DATE PURCHASED \_\_\_\_\_

PURCHASED FROM \_\_\_\_\_

\_\_\_\_\_





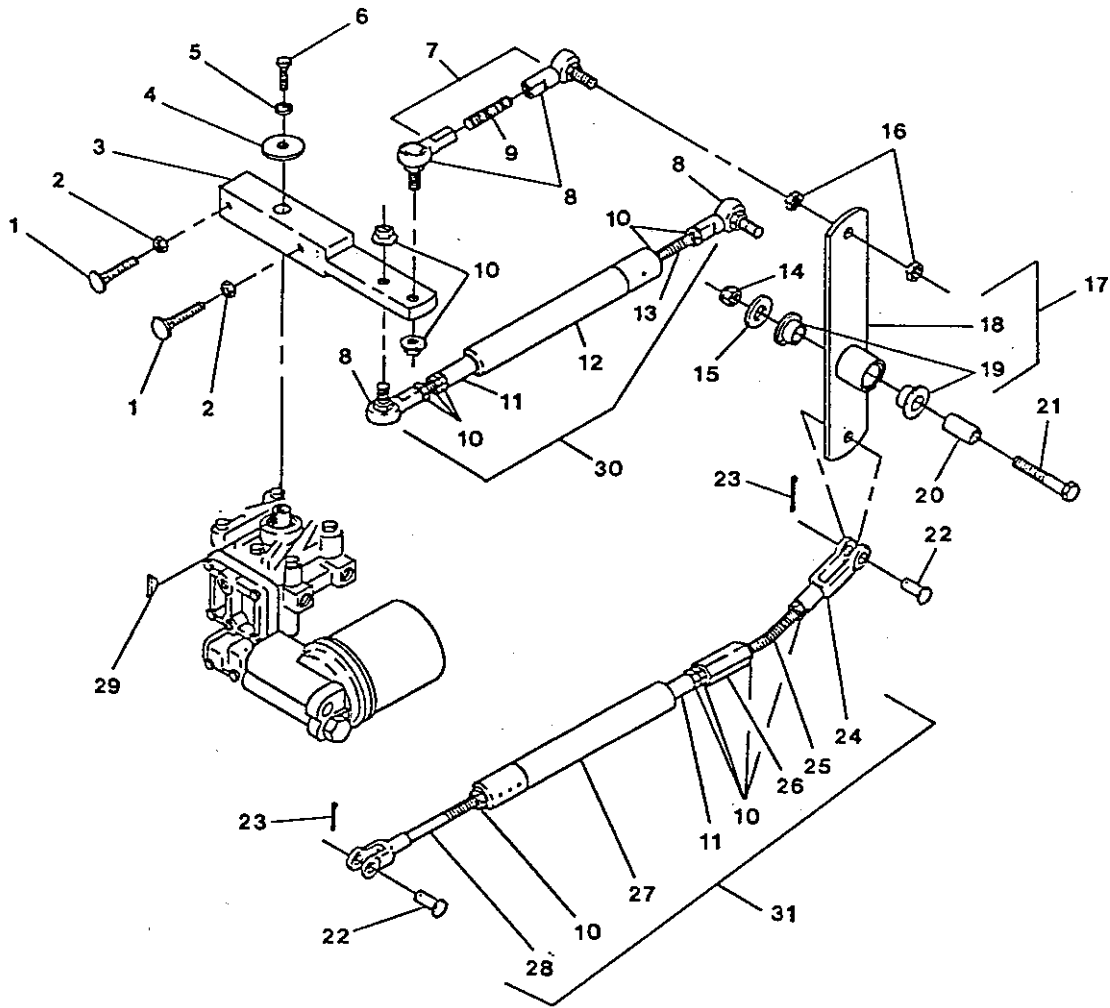
## AXLE AND HYDRAULICS

### KEY PART # QTY. DESCRIPTION

1.....	800293.....	1.....	3/8-16 x 1-1/4 Capscrew
2.....	805006.....	6.....	3/8 Heavy Spring Lockwasher
3.....	543216.....	2.....	Washer, Axle Plated
4.....	800296.....	1.....	3/8-16 x 2 HH Capscrew
5.....	543208.....	1.....	Spacer, Outer Hub
6.....	543204.....	1.....	Spacer - Outer RH
7.....	543358.....	2.....	Hub, 4 Bolt
	543807.....	8.....	Hub Bolt
8.....	543396.....	2.....	T/W Assy - 20.0 x 10.0-B
9.....	513011.....	8.....	1/2-20 Wheel Nut
10.....	373021.....	2.....	1" Clamp Collar
11.....	543485.....	2.....	Bearing - Tpd Bse Plw
12.....	807261.....	2.....	Key - 1/4 x 1/4 x 2 Machine
13.....	800290.....	6.....	3/8-16 x 3/4 Capscrew
14.....	513211.....	1.....	Element - Oil Filter
15.....	800300.....	2.....	3/8-16 x 3 Hex Capscrew
16.....	809007.....	4.....	Nut - 3/8-16 Flng Hex
17.....	213148.....	1.....	Clamp
18.....	800297.....	2.....	3/8-16 x 2-1/4 HH Caps
19.....	800292.....	2.....	3/8-16 x 1 HH Capscrew
20.....	543602.....	1.....	Stabilizer, Axle Upper
21.....	542612.....	1.....	Stabilizer, Axle Low
22.....	805260.....	2.....	3/8 Std Flat Washer
23.....	804007.....	2.....	3/8-16 Square Nut
24.....	807006.....	1.....	#61 Woodruff Key
25.....	513042.....	2.....	Rim

### KEY PART # QTY. DESCRIPTION

26.....	543399.....	1.....	Pulley, Cast Iron 4"0
27.....	806328.....	1.....	Rollpin - 7/32 x 7/8
28.....	543317.....	1.....	Spacer, Fan
29.....	543359.....	1.....	Fan 7" OD/10 Blade
30.....	503033.....	1.....	Pulley Retainer Washer
31.....	805004.....	1.....	1/4 Heavy Spring Lockwasher
32.....	800256.....	1.....	1/4-20 x 1-1/2 HH Capscrew
33.....	543888.....	1.....	Elbow - 45 Deg. O.R./Hose Barb
34.....	803321.....	1.....	3/8-16 x 3/8 Setscrew
35.....	543867.....	1.....	Elbow - 90 Deg. O.R./Hose Barb
36.....	543965.....	1.....	Hydra Transaxle
37.....	543892.....	4.....	Clamp Hose
38.....	543889.....	2.....	Elbow, Male 90
39.....	543864.....	1.....	Suction, Strainer
40.....	543930.....	1.....	Hose - 17.25 Push-Lok
41.....	543931.....	1.....	Hose - 8.0 Push-Lok
42.....	542913.....	1.....	Tank, Hyd Widmt Pid
43.....	543894.....	1.....	Oil Eye - Hyd. Tank
44.....	543541.....	1.....	Breather, Fillr & Cap
45.....	800271.....	4.....	5/16-18 x 3/4 HH Capscrew
46.....	809001.....	4.....	5/16-18 Whizlock Nut
47.....	543680.....	2.....	Tire - 20 x 10.00-8
48.....	303327.....	6.....	3/8 Disc Spring Washer
49.....	800251.....	1.....	1/4-20 x 5/8 HH Capscrew
50.....	809012.....	1.....	1/4-20 Whizlock Nut



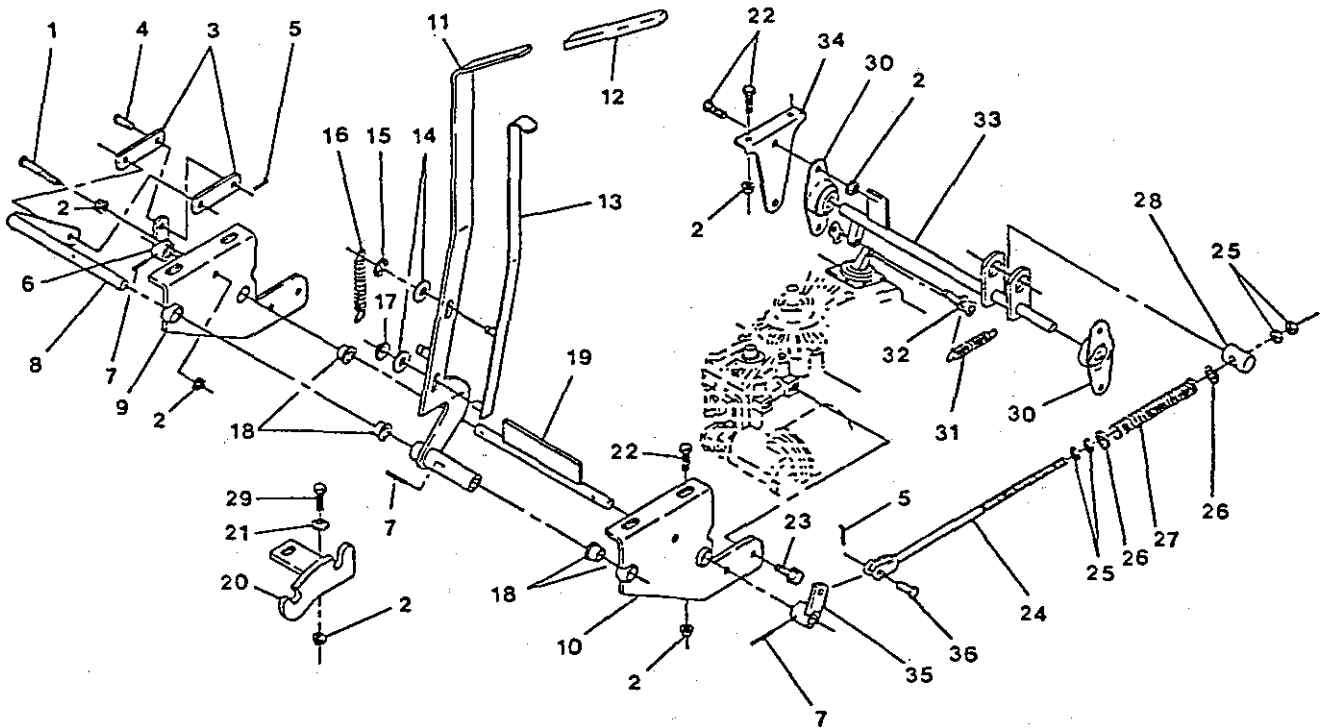
## MOTION CONTROLS

### KEY PART # QTY. DESCRIPTION

1.....	807522.....	2.....	5/16-18 x 2 Carr. Bolt
2.....	804006.....	2.....	5/16-18 Reg Hex Nut
3.....	542916.....	1.....	Arm Widmt - Transaxle
4.....	503033.....	1.....	Pulley Retainer Washer
5.....	805004.....	1.....	1/4 Heavy Spring Lockwasher
6.....	800256.....	1.....	1/4-20 x 1-1/2 HH Capscrew
7.....	544722.....	1.....	Linkage - Motion Control
8.....	513132.....	4.....	Joint, Ball
9.....	543710.....	1.....	Rod End Plld.
10.....	804758.....	12.....	5/16-24 Hex Jam Nut
11.....	513479.....	2.....	Bushing, Spring Guide
12.....	542723.....	1.....	Centering Spring Weldment
13.....	543148.....	1.....	Rod - End
14.....	804256.....	1.....	5/16-18 Nyloc Hex Nut
15.....	805258.....	1.....	5/16 Std Flat washer
16.....	804758.....	2.....	Jam Nut RH 5/16-24

### KEY PART # QTY. DESCRIPTION

17.....	544711.....	1.....	Idler - Linkage S/A
18.....	542144.....	1.....	Idler Widmt - Linkage
19.....	513140.....	2.....	Bearing, Control
20.....	543486.....	1.....	Bushing
21.....	800278.....	1.....	5/16-18 x 2-1/4 HH Capscrew
22.....	808280.....	2.....	5/16 x 1 Clevis Pin
23.....	806761.....	2.....	1/8 x 3/4 Cotter Pin
24.....	303105.....	1.....	Adjustable Yoke
25.....	543520.....	1.....	Rod - Linkage, Plated
26.....	543518.....	1.....	Adapter, Threaded
27.....	512136.....	1.....	Housing Widmt, Override
28.....	543790.....	1.....	Linkage - Clevis .31
29.....	807002.....	1.....	Key - 1/8 x 1/2 Wdrf #3
30.....	542725.....	1.....	Center Spring Assy - P
31.....	542698.....	1.....	Override - Pedal Spring



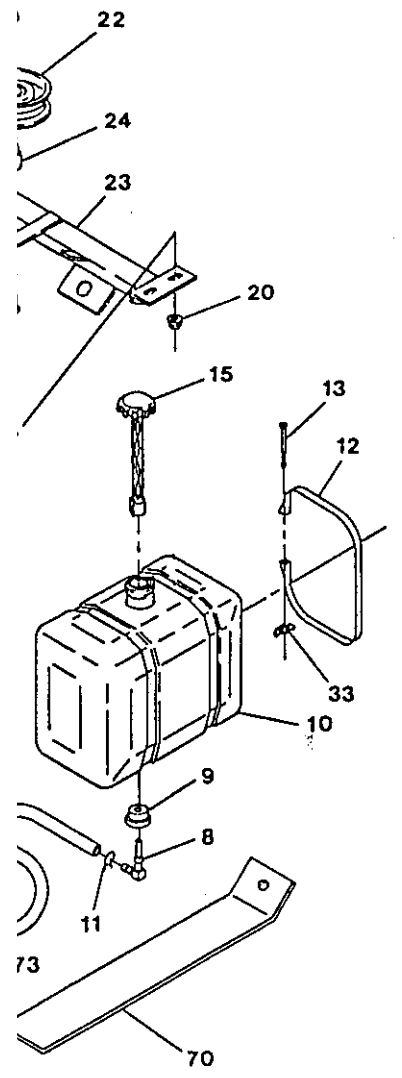
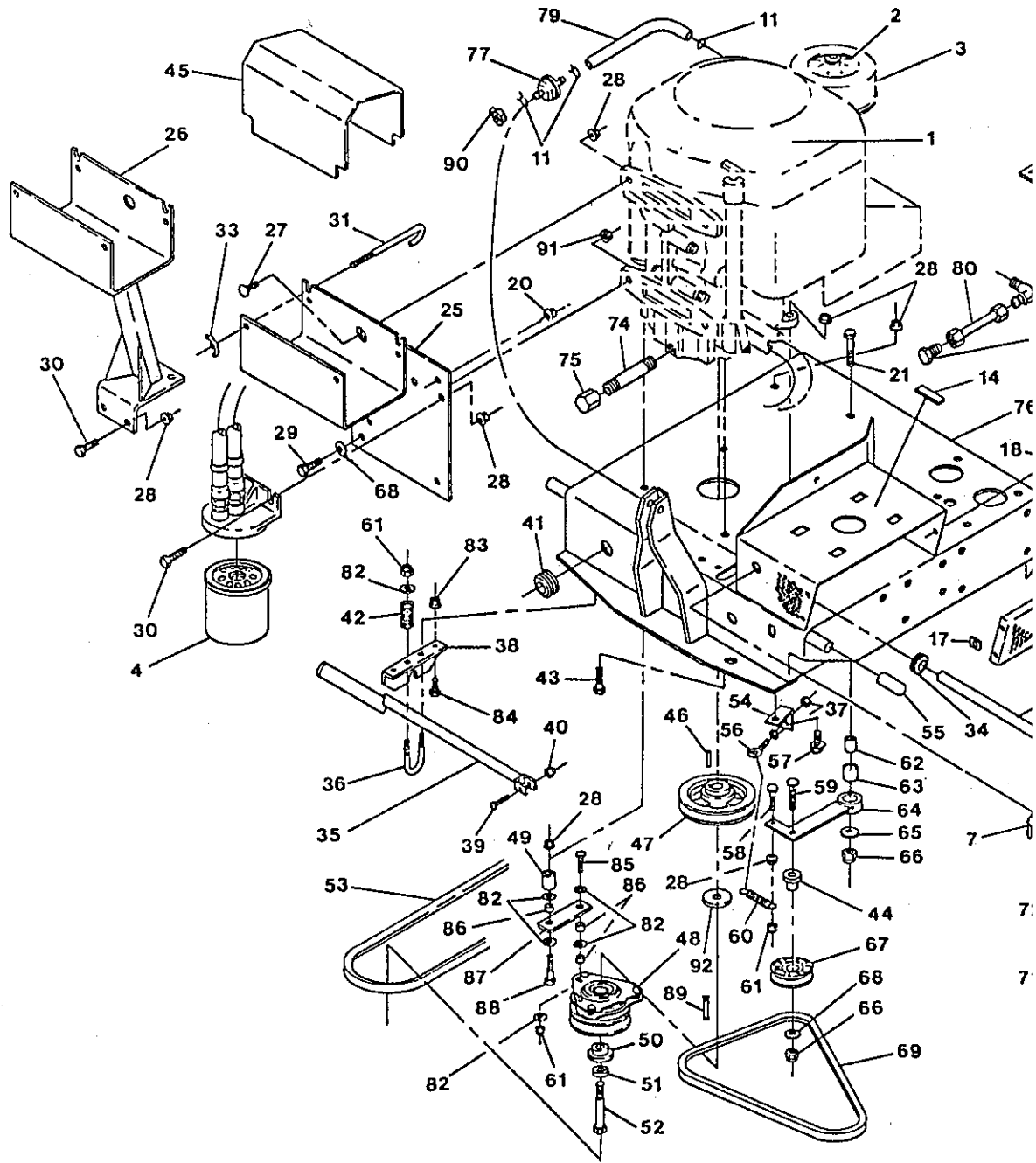
## PARKING BRAKE

### KEY PART # QTY. DESCRIPTION

1.....	800278.....	1.....	5/16-18 x 2-1/4 HH Cap
2.....	809001.....	13.....	5/16-18 Whizlock Nut
3.....	543115.....	2.....	Link - Brake
4.....	808278.....	2.....	5/16 x 3/4 Clevis Pin
5.....	806761.....	3.....	1/8 x 3/4 Cotter Pin
6.....	542123.....	1.....	Arm Widmt - Btrfly Cir
7.....	806328.....	3.....	Roll pin - 7/32 x 7/8
8.....	542190.....	1.....	Pivot Widmt - Brake Lever
9.....	542924.....	1.....	Supt. Widmt - Trans LH
10.....	542926.....	1.....	Supt. Widmt - Trans RH
11.....	542192.....	1.....	Handle Widmt - Brake
12.....	303020.....	1.....	Grip (Adj. Lever)
13.....	542719.....	1.....	Trigger Widmt - Brake
14.....	805257.....	2.....	5/16 SAE Washer
15.....	808512.....	1.....	E Ring
16.....	513468.....	1.....	Spring - Brake Handle
17.....	543798.....	1.....	Pushnut - .312 Flt Rnd
18.....	513140.....	4.....	Bearing Control

### KEY PART # QTY. DESCRIPTION

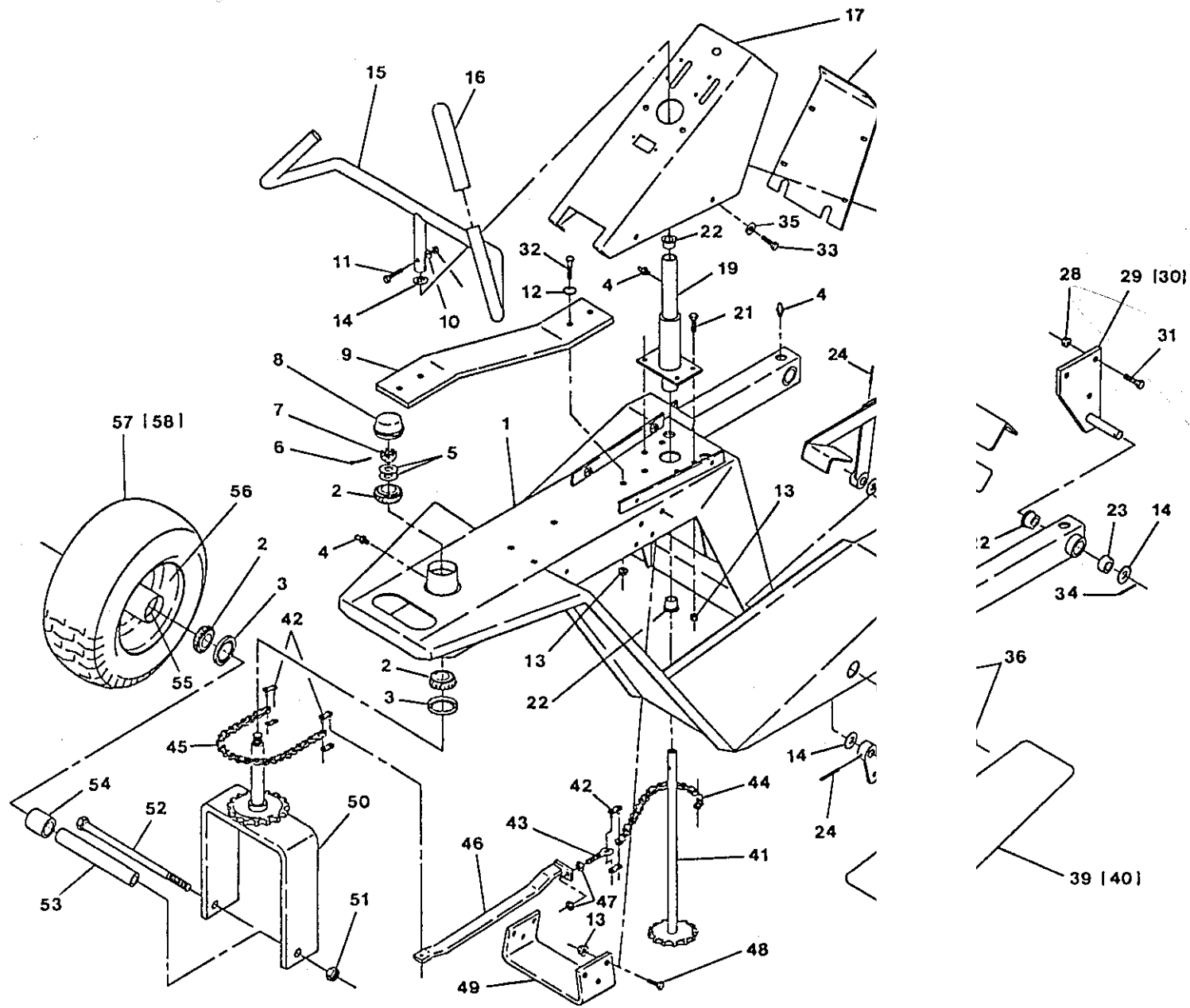
19.....	542125.....	1.....	Butterfly Widmnt
20.....	542900.....	1.....	Quadrant Widmt - Brake
21.....	303334.....	2.....	5/16 Disc Washer
22.....	800271.....	10.....	5/16-18 x 3/4 HH Capscrew
23.....	803032.....	4.....	Bolt, Whizlock 5/16-18 x 3/4
24.....	543721.....	1.....	Linkage - Brake
25.....	804760.....	4.....	Jam Nut 3/8-24 Pltd.
26.....	805259.....	2.....	Washer, Flat - 3/8
27.....	543132.....	1.....	Spring, Brk Protect
28.....	543129.....	1.....	Pin - Trunion
29.....	800273.....	1.....	5/16-18 x 1 HH Capscrew
30.....	543514.....	2.....	Flange Mig, Side
31.....	543543.....	1.....	3 x 1/2 Spring
32.....	543574.....	1.....	Link Connector #60
33.....	542907.....	1.....	Jackshaft Widmt - Brk
34.....	543138.....	1.....	Mount - Jackshaft Brg.
35.....	542121.....	1.....	Arm Widmt - Brk Control
36.....	808280.....	1.....	5/16 x 1 Clevis Pin



## ENGINE DECK GROUP

KEY	PART #	QTY.	DESCRIPTION	KEY	PART #	QTY.	DESCRIPTION	KEY	QTY.	DESCRIPTION	
1.....	.....	1.....	Engine - 18 hp Kohler	28.....	809001.....	10.....	5/16-18 Whizlock Nut (Kohler)	56....	...	1.....	Eyebolt - Right
		1.....	Engine - 20 hp Kohler			6.....	5/16-18 Whizlock Nut	57....	...	1.....	Bolt, Whizlock 5/16
		1.....	Engine - 17 hp Kaw.				(Kaw.)	58....	...	1.....	Bolt - .31-18 x 1.25 Car
2.....	.....	1.....	Air Filter - Kohler #45-083-02	29.....	800292.....	3.....	3/8-16 x 1 HH Capscrew (Kohler)	59....	...	1.....	Bolt - 3/8-16 x 1-3/4
		1.....	Air Filter - Kawasaki #11013-2098	30.....	800271.....	2.....	5/16-18 x 3/4 HH Capscrew (Kohler)	60....	...	1.....	3-5/8 x 5/8 Spring
3.....	.....	1.....	Foam Precleaner, Kohler #45-083-01			4.....	5/16-18 x 3/4 HH Capscrew (Kawasaki)	61....	...	4.....	5/16-18 Nyloc Hex Nut
		1.....	Foam Precleaner, Kawasaki #11013-2097	31.....	543882.....	2.....	Bolt - Hold Down	62....	...	1.....	Bushing, Steel
4.....	.....	1.....	Oil Filter - Kohler #52-050-02	32.....	800297.....	1.....	3/8-16 x 2-1/4 Hex Hd Capscrew	63....	...	1.....	Bushing, Bronze
		1.....	Oil Filter - Kawasaki #49065-2071	33.....	543792.....	4.....	Wingnut - Nyloc 1/4	64....	...	1.....	Arm Widmt - Hyd Dr Idler
5.....	543526.....	1.....	Fuel Line - 24" (Kohler)	34.....	543296.....	1.....	Grommet - Fuel Line	65....	...	1.....	Strut - Adj Spacer
	513581.....	1.....	Fuel Line - 18" (Kawasaki)	35.....	542948.....	1.....	Lever - Drive Release	66....	...	2.....	3/8-16 Nyloc Hex Nut
6.....	543649.....	1.....	Fuel Line - 7"	36.....	543935.....	1.....	5/16-18 Thrd Top U-Bolt	67....	...	1.....	Idler
7.....	543278.....	1.....	Valve - Fuel/Bulkhead	37.....	804751.....	2.....	Jam Nut RH 5/16-18	68....	...	2.....	3/8 Std Flat Washer
8.....	543277.....	1.....	Eibow - Fuel Tank w/Sc	38.....	543933.....	1.....	Brkt - Neut Lever	69....	...	1.....	Belt A Trans Drive
9.....	513645.....	1.....	Bushing, Fuel Valve	39.....	801056.....	1.....	Screw - 12-24 x 1.38 Slit	70....	...	1.....	Plate - Skid Painted
10.....	543364.....	1.....	Tank, Gas	40.....	804254.....	1.....	Nut - 12-24 Nyloc Hex	71....	...	2.....	Capscrew - 1/2-13 x 1.25 HH
11.....	303077.....	6.....	Clamp - Gas Line	41.....	543286.....	1.....	Grommet	72....	...	2.....	1/2 Reg Sprng Lockwasher
12.....	303465.....	2.....	Strap, Fuel Tank	42.....	303160.....	2.....	Compression Spring	73....	...	2.....	1/2-13 Reg Hex Nut
13.....	801061.....	2.....	Machine Screw .25-20 x 2.5	43.....	800275.....	3.....	5/16-18 x 1-1/2 HH Capscrew (Kohler)	74....	...	1.....	Pipe 1/4-18 NPT x 3 (Kohler)
14.....	303315.....	2.....	Gas Tank Pad		809018.....	3.....	M8 x 1.25 x 30 mm HH Capscrew (Kawasaki)	75....	...	1.....	Cap - 1/4-18 NPT (Kohler)
15.....	543365.....	1.....	Cap - Fuel Tank Gauge	44.....	543756.....	1.....	Bushing - Idler	76....	...	1.....	Deck Widmt - Engine
16.....	543109.....	1.....	Screen - Air Intake	45.....	543891.....	1.....	Battery Cover	77....	...	1.....	Gas Filter
17.....	809024.....	3.....	1/4-20 Nut Retainer	46.....	807274.....	1.....	Key - 1/4 x 1/4 x 5/8 Mach	78....	...	1.....	Elbow - 90 Deg. 3/8 JIC x 3/8 BSPT (Kawasaki)
18.....	543791.....	3.....	Screw - Heavy Thumb		807010.....	1.....	3/4 x 1/4 #91 Woodruff Key (20 hp Kohler)	79....	...	1.....	Fuel Line - 17" (Kohler)
19.....	800290.....	4.....	3/8-16 x 3/4 Capscrew	47.....	543929.....	1.....	Pulley - Engine (18 Kohler & 17 Kawasaki)	80....	...	1.....	Fuel Line - 8.5" (Kawasaki)
20.....	809007.....	7.....	Nut - 3/8-16 Fing Hex (Kohler)			1.....	Pulley - Engine (20 hp Kohler)	81....	...	1.....	Tube Assembly - Oil Drain (Kaw.)
		11.....	Nut - 3/8-16 Fing Hex (Kawasaki)			1.....	Clutch, Electric (Ogura)	82....	...	7.....	5/16 Standard Flatwasher
21.....	800296.....	1.....	3/8-16 x 2 HH Capscrew	48.....	543860.....	1.....	Clutch, Electric (Ogura)	83....	...	2.....	Nut, 1/4-20 Whizlock
22.....	543877.....	1.....	Pulley, Idler 5 3/4 OD	49.....	323037.....	1.....	Slide Spacer	84....	...	2.....	1/4-20 x 3/4 HH Capscrew
23.....	542958.....	1.....	Cross Member Widmt	50.....	543866.....	1.....	Bushing - Clutch Keeper	85....	...	1.....	5/16-18 x 1-1/4 HH Capscrew
24.....	543879.....	1.....	Bushing, Idler	51.....	603610.....	1.....	7/16 Spring Disc Washer	86....	...	3.....	Spacer
25.....	542937.....	1.....	Mount Widmt - Battery (Kohler)	52.....	800820.....	1.....	Capscrew - 7/16-20 x 3 HH (Kohler)	87....	...	1.....	Anchor - Electric Clutch
26.....	542982.....	1.....	Mount Widmt - Battery (Kaw.)		809050.....	1.....	M10 x 1.5 x 60 mm HH Capscrew (Kawasaki)	88....	...	1.....	5/16-18 x 3-1/2 HH Capscrew (Kohler)
27.....	807506.....	1.....	5/16-18 x 1 Carr. SSN (Kohler)	53.....	543521.....	1.....	Belt - Deck Drive		...	1.....	M8 x 1.25 x 60 mm HH Capscrew (Kawasaki)
				54.....	543778.....	1.....	Bracket - Idler Spring	89....	...	1.....	Key - 1/4 x 1/4 x 1
				55.....	303021.....	2.....	Grip (Drive Lever)	90....	...	1.....	Hose Clamp (Kawasaki)
								91....	...	1.....	3/8-16 Jam Nut
								92....	...	1.....	Washer - Clutch (20 hp Kohler)

\*NOTE: For units produced with the Warner 5215-14 electric clutch, replace said clutch with Kit #541003 which includes Ogura clutch and necessary parts to install to your unit.





## RIDER FRAME AND STEERING

KEY	PART #	QTY.	DESCRIPTION	KEY	PART #	QTY.	DESCI
1.....	542920.....	1.....	Frame Widmt - Rider	30.....	542194.....	1.....	Bracke
2.....	543509.....	4.....	Bearing, Tapid Roller	31.....	800273.....	5.....	5/16-1
3.....	543511.....	3.....	Seal, Grease	32.....	800293.....	2.....	3/8-16
4.....	811006.....	4.....	Zerk, 1/4-28 Strt	33.....	800251.....	4.....	1/4-20
5.....	805269.....	2.....	3/4 S.A.E. Flat Washer	34.....	806332.....	2.....	Rollpin
6.....	806772.....	1.....	Cotter Pin - 5/32 x 1.75	35.....	805255.....	4.....	1/4 SA
7.....	803040.....	1.....	Nut Hex Slid 3/4-16	36.....	513588.....	2.....	Bearin
8.....	543513.....	1.....	Cap - Grease	37.....	543172.....	1.....	Shaft -
9.....	543498.....	1.....	Seat Spring	38.....	542140.....	1.....	Lever \
10.....	805259.....	1.....	Washer, Flat 3/8	39.....	543159.....	1.....	R Pad,
11.....	800294.....	1.....	3/8-16 x 1-1/2 Capscrew	40.....	543158.....	1.....	L Pad,
12.....	303327.....	2.....	3/8 Disc Spring Washer	41.....	542850.....	1.....	Shaft,
13.....	809007.....	13.....	Nut - 3/8-16 Flng Hex	42.....	543573.....	4.....	Link - (
14.....	303007.....	5.....	Washer - 6" Caster Pivot	43.....	543579.....	2.....	Eyebo
15.....	543428.....	1.....	Handle Bar - Painted	44.....	543885.....	1.....	Chain
16.....	543575.....	2.....	Grip, handle Bar	45.....	543886.....	1.....	Chain
17.....	542939.....	1.....	Console	46.....	542870.....	2.....	Link
18.....	543716.....	1.....	Cover - Console Painted	47.....	804751.....	4.....	Jam N
19.....	542854.....	1.....	Steering Post	48.....	800292.....	6.....	3/8-16
20.....	802006.....	6.....	#10-24 x 1/2 Sit. Hd. Hx. Thrd. Cut Screw	49.....	553007.....	1.....	Stop -
21.....	800290.....	4.....	3/8-16 x 3/4 Capscrew	50.....	542872.....	1.....	Steerir
22.....	303199.....	4.....	6" Caster Flange	51.....	803042.....	1.....	Nut - E
23.....	303200.....	2.....	6" Caster Sleeve	52.....	800346.....	1.....	HHCS
24.....	806331.....	2.....	Roll Pin - 1/4 x 1-1/4	53.....	543552.....	1.....	Bushlr
25.....	542183.....	1.....	Pedal Widmt - Foot, Ptd	54.....	543556.....	2.....	Space
26.....	543161.....	1.....	Pad - Rev Cntrl Pedal	55.....	543508.....	2.....	Bearin
27.....	543160.....	1.....	Pad - Forwd Control Pedal	56.....	543674.....	1.....	Rim
28.....	809001.....	9.....	5/16-18 Whizlock Nut	57.....	543397.....	1.....	T/W A
29.....	542196.....	1.....	Brkt Widmt Pivot RH	58.....	543679.....	1.....	Tire - 1
				59.....	804257.....	1.....	3/8-16

ot Shown)  
screw  
crew  
screw

Pedal

(Not Shown)

10

1

1

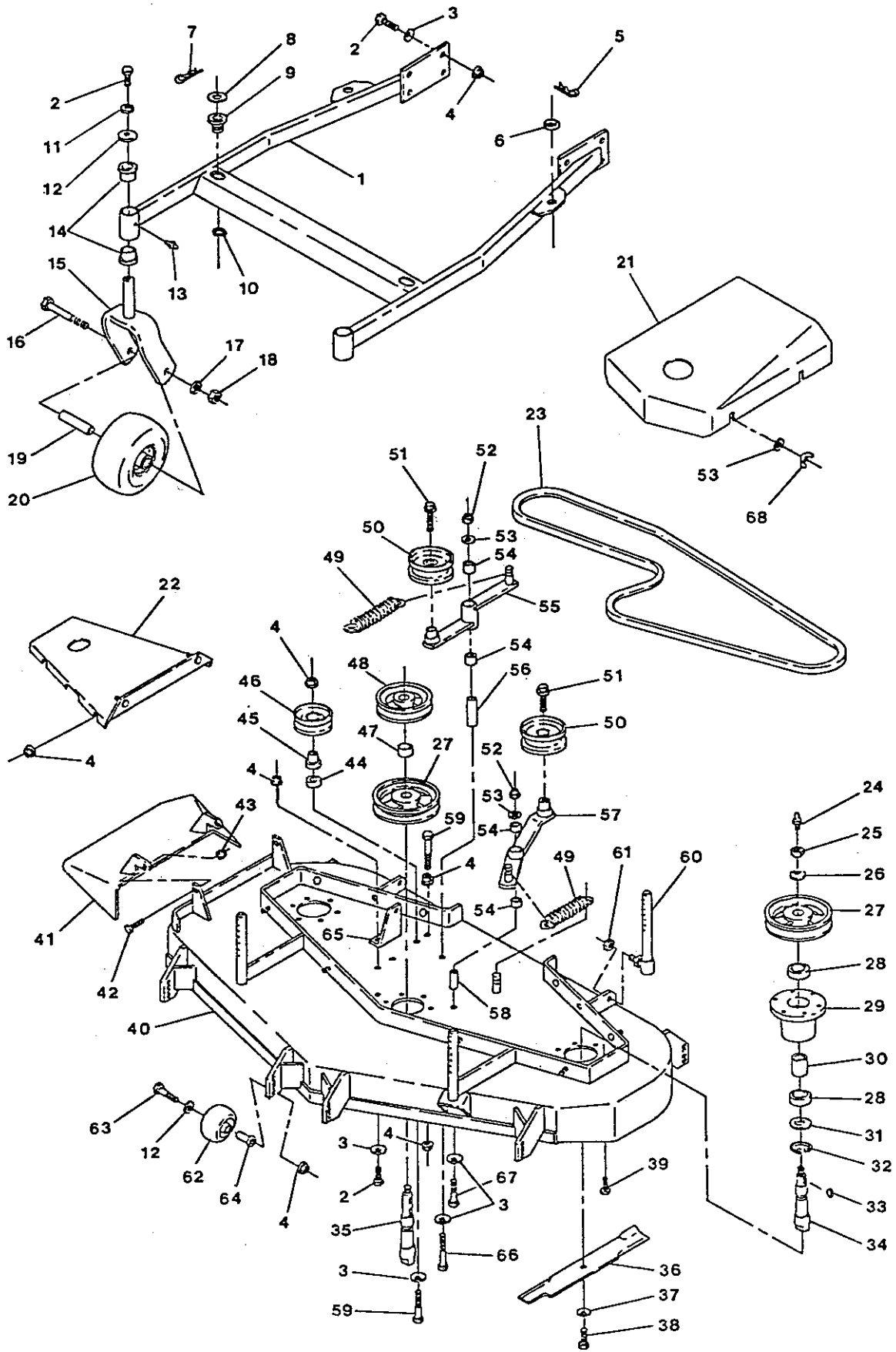
crew

ltd

1/2

rt Pit

10-8



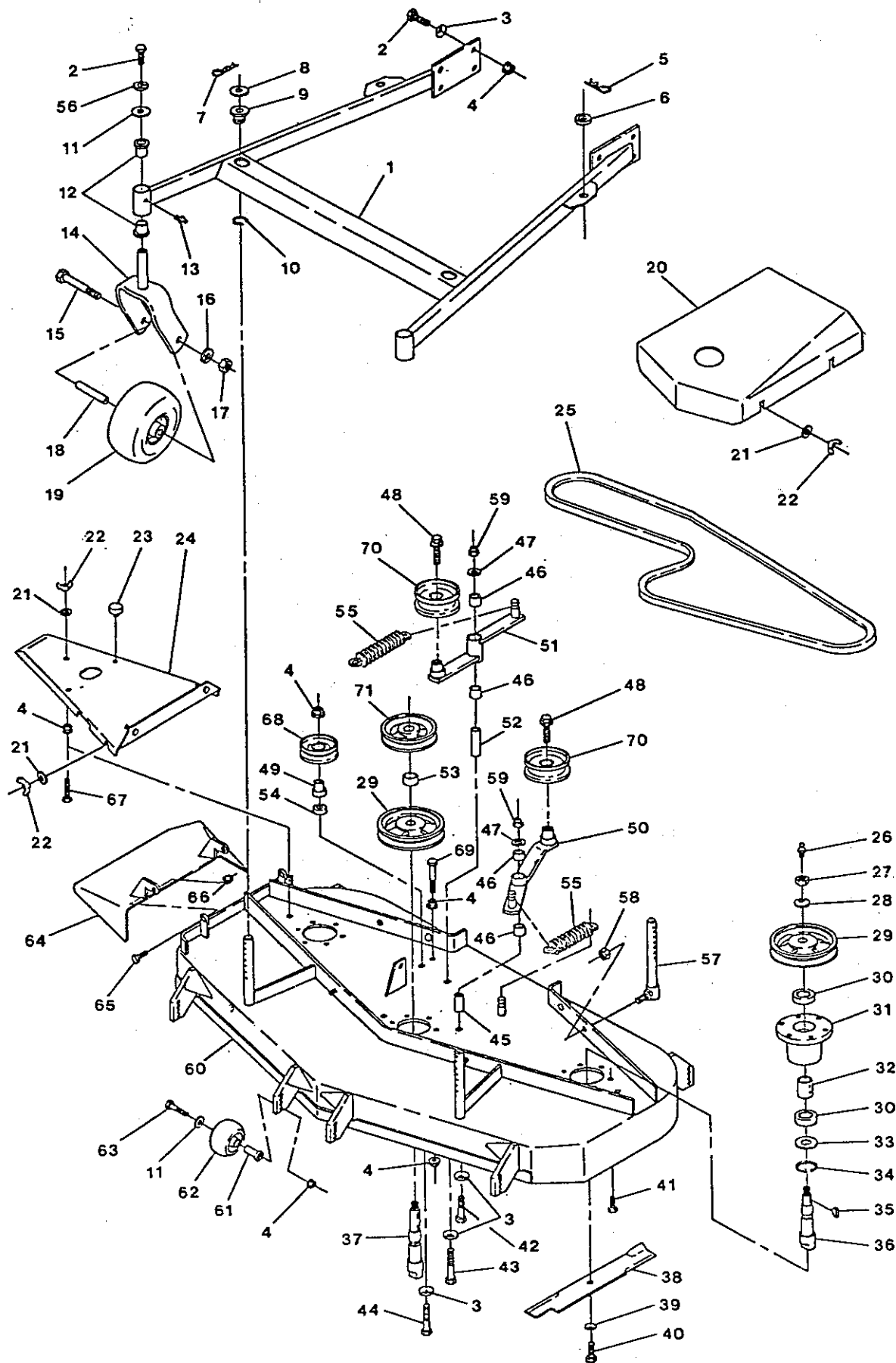
## 52" MOWER DECK

KEY PART # QTY. DESCRIPTION

1.....602573..... 1.....Support Weldment - Deck  
 2.....800292.....12.....3/8-16 x 1 HH Capscrew  
 3.....303327.....13.....3/8 Disc Spring  
 4.....809007.....27.....Nut - 3/8-16 Whizlock  
 5.....806006..... 2.....5/8 Hairpin  
 6.....303164..... 2.....Spacer - Blade Driver  
 7.....806007..... 2.....7/8 Hairpin  
 8.....513338..... 2.....Washer  
 9.....513336..... 2.....Bushing - Deck Support  
 10.....808507..... 2.....Ring - Ext. Retaining  
 11.....805006..... 2.....3/8 Hvy. Spring Lockwasher  
 12.....373034..... 8.....Washer - Pivot  
 13.....811001..... 2.....1/8 NPT Straight Zerk  
 14.....303044..... 4.....Flange Thrust Bearing  
 15.....512894..... 2.....Weld Assy - Caster Fork  
 16.....800334..... 2.....1/2-13 x 6 HH Capscrew  
 17.....805008..... 2.....1/2 Reg Spring Lockwasher  
 18.....804509..... 2.....1/2-13 Reg Hex Nut  
 19.....513547..... 2.....Spacer - Front Caster  
 20.....513648..... 2.....Wheel & Tire Assy - 9 x 3.50-4  
     513807..... 2.....Wheel  
     513808..... 2.....Tire 9 x 3.50-4  
     513809..... 2.....Bearing  
     513810..... 4.....Bushing  
 21.....603547..... 1.....Cover - Deck Drive Belt  
 22.....602545..... 2.....Cover - Deck Weldment  
 23.....603576..... 1.....Belt - Blade Drive  
 24.....811006..... 3.....Zerk - 1/4-28 Straight  
 25.....804510..... 3.....5/8-18 UNF Hex Nut  
 26.....513208..... 3.....Spring - Disk  
 27.....513207..... 3.....Sheave - Blade Drive  
 28.....303057..... 6.....Bearing - Ball 305K  
 29.....513186..... 3.....Housing - Bearing  
 30.....513188..... 3.....Spacer - Bearing  
 31.....513193..... 3.....Seal - Mech. Dust  
 32.....808506..... 3.....Snap Ring - 2.59 x 08TK  
 33.....807006..... 4.....#61 Woodruff Key  
 34.....603031..... 2.....Spindle - Outer Blade  
     604262..... 1.....Drive Assy - Outer Blade

KEY PART # QTY. DESCRIPTION

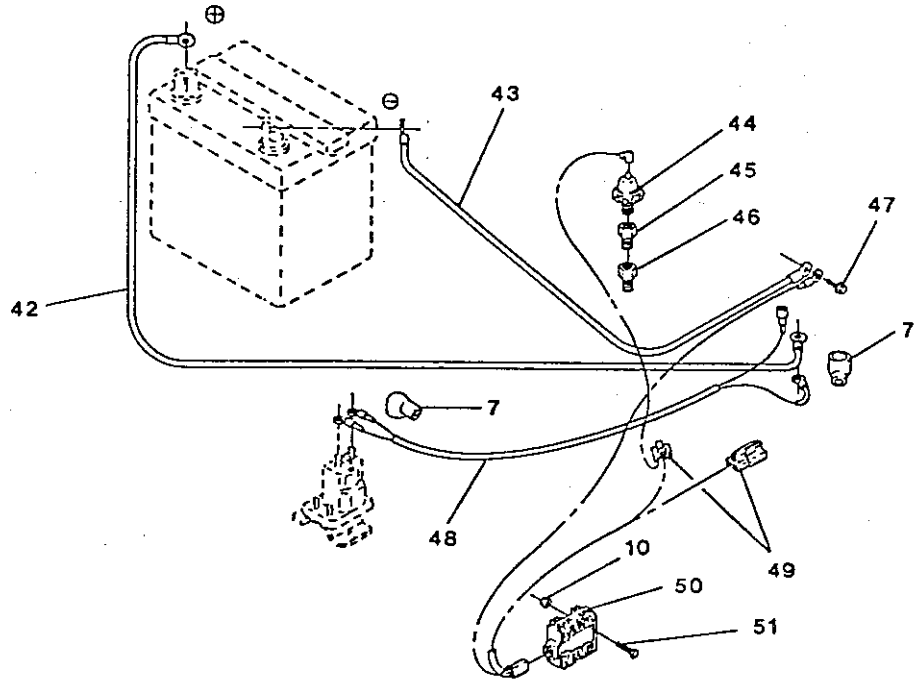
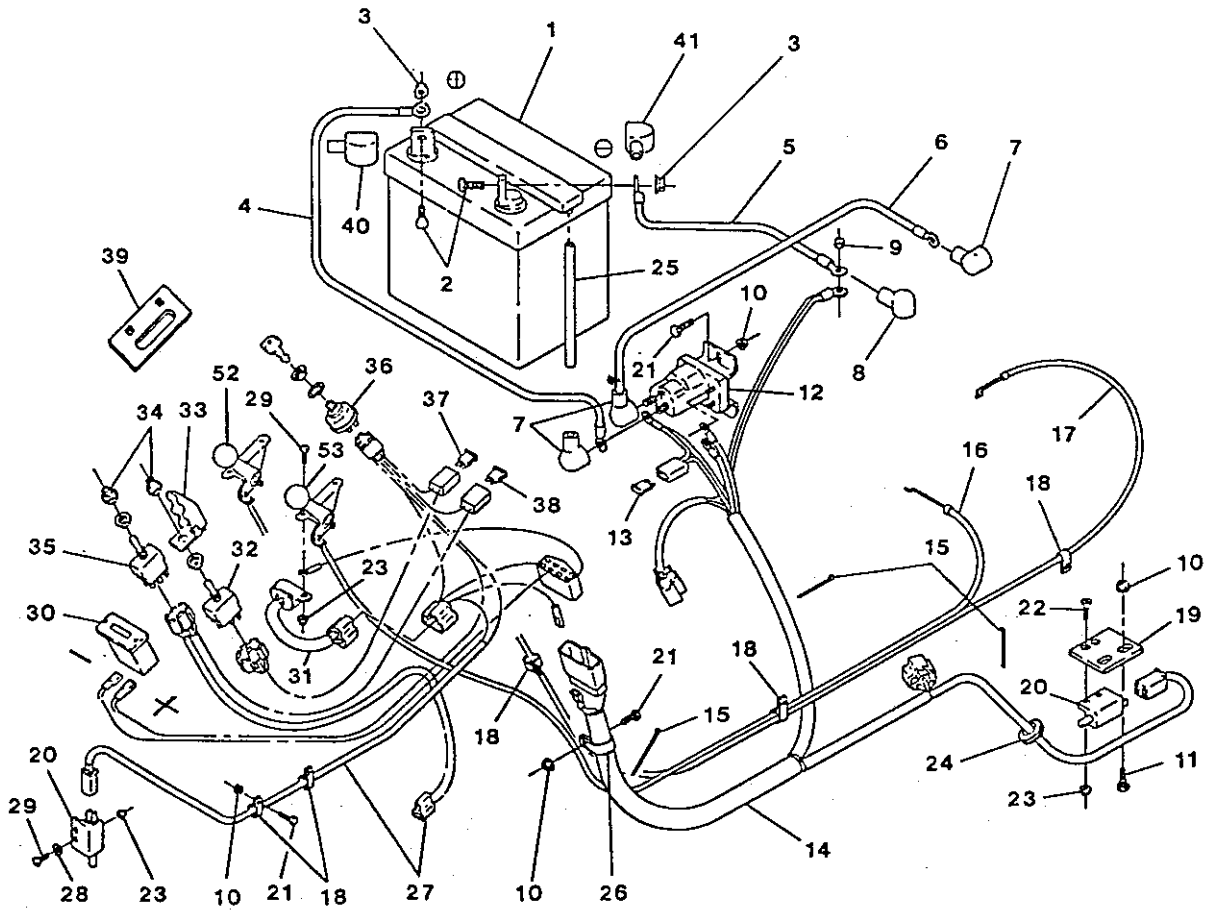
35.....603022..... 1.....Spindle - Center Blade  
     604621..... 1.....Drive Assy - Center Blade  
 36.....603637..... 3.....Blade - 18.0 Diameter  
 37.....513435..... 3.....1/2 Disc Spring Washer  
 38.....800531..... 3.....1/2-20 x 1 HH Capscrew RH  
 39.....809035.....18.....3/8-16 x 1.0 TT Hex Washer  
     Hd Bolt  
 40.....602575..... 1.....Deck Weldment - 52" SD  
 41.....602571..... 1.....Chute Weldment - Discharge  
 42.....800273..... 2.....5/16-18 x 1 HH Capscrew  
 43.....804256..... 2.....5/16-18 Nyloc Hex Nut  
 44.....603050..... 1.....Bushing - Spacer  
 45.....403057..... 1.....Bushing - Idler  
 46.....513304..... 1.....Idler - V-Belt  
 47.....603504..... 1.....Spacer - Tube  
 48.....603581..... 1.....Sheave - Mower Drive  
 49.....603413..... 2.....Spring - Extension  
 50.....603497..... 2.....Idler Pulley  
 51.....803016..... 2.....3/8-16 x 1 Whizlock Bolt G5  
 52.....804257..... 2.....3/8-16 Hex Nyloc Nut Flated  
 53.....805260..... 6.....3/8 Sid. Flatwasher  
 54.....513034..... 4.....Bearing - Pivot  
 55.....602604..... 1.....Idler Arm Assy w/Bearings  
     602591..... 1.....Arm Weldment - Deck Idler  
 56.....603384..... 1.....Bushing - Idler Pivot  
 57.....602586..... 1.....Idler Arm Assy Deck Drive  
     w/Bearings  
     602568..... 1.....Arm Weldment Deck Drive Idler  
 58.....603044..... 1.....Bushing - Idler Pivot  
 59.....800297..... 2.....3/8-16 x 2-1/4 Hx Hd Cpscrw G5  
 60.....603540..... 2.....Link - Rear Deck Support  
 61.....803031..... 2.....3/8-24 Torque Nut  
 62.....603299..... 6.....Roller - Anti Scalp  
 63.....800805..... 6.....3/8-16 x 3.75 HHCS Gr8  
 64.....603602..... 6.....Bushing - Roller  
 65.....603620..... 1.....Bracket - Spring Anchor  
 66.....800805..... 1.....3/8-16 x 3.5 Gr8 HH Capscrew  
 67.....800298..... 1.....3/8-16 x 2-1/2 Hex Head  
     Capscrew Gr5  
 68.....543678..... 4.....Wingnut - Nylon Insert



## 60" MOWER DECK

KEY	PART #	QTY.	DESCRIPTION
1.....	602593.....	1.....	Support Widmt, Dk. Pltd.
2.....	800292.....	8.....	3/8-16 x 1 HH Capscrew
3.....	303327.....	9.....	3/8 Disc Spring Washer
4.....	809007.....	17.....	3/8-16 Flng. Hex Nut
5.....	806006.....	2.....	5/8" Hairpin
6.....	303164.....	2.....	Blade Driver Spacer
7.....	806007.....	2.....	7/8" Hairpin
8.....	513338.....	2.....	Washer
9.....	513336.....	2.....	Bushing, Deck Support
10.....	808507.....	2.....	Ring, Ext. Retaining
11.....	373034.....	8.....	Washer, Pivot
12.....	303044.....	4.....	Flange Thrust Bearing
13.....	811001.....	2.....	1/8 NPT Straight Zerk
14.....	512894.....	2.....	Weld Assy - Caster Fort
15.....	800334.....	2.....	Screw - 1/2-13 x 6 HHC-5
16.....	805008.....	2.....	1/2 Reg Spring Lockwasher
17.....	804509.....	2.....	1/2-13 Reg Hex Nut
18.....	513547.....	2.....	Spacer, Front Caster
19.....	513648.....	2.....	9 x 3.50-4 W & T Assy.
	513807.....	2.....	Wheel
	513808.....	2.....	Tire 9 x 3.50-4
	513809.....	2.....	Bearing
	513810.....	4.....	Bushing
20.....	543584.....	1.....	Cover, Deck Drive Belt
21.....	805259.....	10.....	Washer, Flat - 3/8
22.....	543678.....	10.....	Wingnut - Nylon Insert
23.....	513291.....	2.....	Bumper, Seat
24.....	542588.....	2.....	Cover, Decfk Widmt. - Pltd.
25.....	603045.....	1.....	Belt - Blade Drive
26.....	811006.....	3.....	Zerk, 1/4-28 Strt.
27.....	804510.....	3.....	5/8-18 UNF Hex Nut
28.....	513208.....	3.....	Spring, Disk
29.....	513207.....	3.....	Sheave, Blade Drive
30.....	303057.....	6.....	Bearing, Ball 305K
31.....	513186.....	3.....	Housing, Bearing
32.....	513188.....	3.....	Spacer, Bearing
33.....	513193.....	3.....	Seal, Mech. Dust
34.....	808506.....	3.....	Snap Ring, 2.59 x 08 TK
35.....	807006.....	4.....	#61 Woodruff Key
36.....	603031.....	2.....	Spindle - Outer Blade
	604262.....	2.....	Outer Housing - Complete

KEY	PART #	QTY.	DESCRIPTION
37.....	603022.....	1.....	Spindle - Center Blade
	604261.....	1.....	Center Housing - Complete
38.....	603283.....	3.....	Blade - 20.5 Diameter
39.....	513435.....	3.....	Washer, Spring Disc 1/2
40.....	800531.....	3.....	1/2-20 x 1 HHCS RH
41.....	809035.....	18.....	Bolt - 3/8-16 x 1.0 Tap
42.....	800298.....	1.....	3/8-16 x 2.5 Hx Hd Capscrew
43.....	800805.....	1.....	3/8-16 x 3.5 Hx Hd Capscrew
44.....	800297.....	1.....	3/8-16 x 2-1/4 Hx Hd Capscrew
45.....	603044.....	1.....	Bushing - Idler Pivot
46.....	513034.....	4.....	Bearing Pivot
47.....	805260.....	2.....	3/8 Standard Flat Washer
48.....	803016.....	2.....	Bolt - 3/8-16 x 1 Whizlock
49.....	403057.....	1.....	Bushing - Idler Adpt. Plt.
50.....	602568.....	1.....	Arm Weld - Dk. Dr. Idler
	602586.....	1.....	Idler Arm Assy w/Bearings
51.....	602591.....	1.....	Arm Weld - Dk. Idler Arm
	602604.....	1.....	Idler Arm Assy w/Bearings
52.....	603384.....	1.....	Bushing - Idler Pivot
53.....	603504.....	1.....	Spacer - Tube
54.....	603050.....	1.....	Bushing - Spacer Pltd.
55.....	603413.....	2.....	Spring
56.....	805006.....	2.....	3/8 Heavy Spring Lockwasher
57.....	603540.....	2.....	Link, Rear Deck Support
58.....	803031.....	2.....	3/8-24 Torque Nut
59.....	804257.....	2.....	3/8-16 Hex Nyloc Nut
60.....	602585.....	1.....	Weld Assy - 60" Deck
61.....	603502.....	6.....	Bushing - Roller
62.....	603299.....	6.....	Roller - Anti Scalp
63.....	800806.....	6.....	Capscrew 3/8-16 x 3.75 GB
64.....	542606.....	1.....	Chute Widmt., Discharge
65.....	800273.....	2.....	5/16-18 x 1 HH Capscrew
66.....	804256.....	2.....	5/16-18 Nyloc Hex Nut
67.....	800031.....	2.....	3/8-16 x 2-3/4 HHTB
68.....	513304.....	1.....	Idler, V-Belt
69.....	800297.....	1.....	3/8-16 x 2-1/4 HH Capscrew
70.....	603497.....	2.....	Idler - 4" Flat
71.....	603410.....	1.....	Sheave - Mower Drive



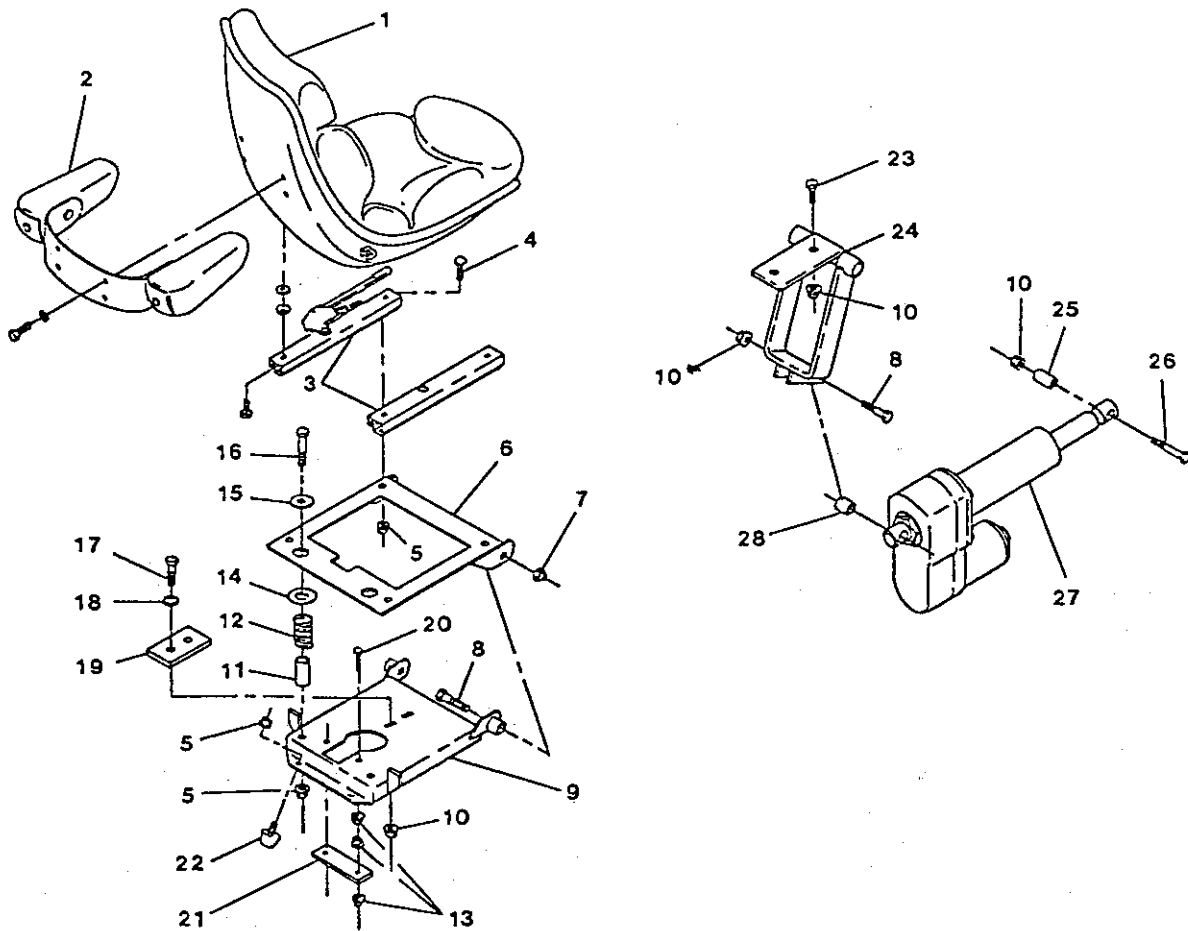
## KOHLER & 17 HP KAW. ELECTRICAL

### KEY PART # QTY. DESCRIPTION

1.....	603479.....	1.....	12 Volt Battery
2.....	800271.....	2.....	5/16-18 x 3/4 HH Capscrew
3.....	809001.....	2.....	5/16-18 Whizlock Nut
4.....	543766.....	1.....	Wire - (+) Battery (Kohler)
5.....	603489.....	1.....	Wire - Ground (Kohler)
6.....	513582.....	1.....	Starter Wire (Kohler)
7.....	543393.....	3.....	Insulator, Solenoid +
8.....	543392.....	1.....	Insulator, Solenoid -
9.....	804256.....	1.....	5/16-18 Nyloc Nut
10.....	809012.....	10.....	1/4-20 Whizlock Nut (Kohler)
		12.....	1/4-20 Whizlock Nut (Kaw.)
11.....	800251.....	2.....	1/4-20 x 5/8 HH Capscrew
12.....	513075.....	1.....	Switch 12 V Solenoid
13.....	816001.....	1.....	Fuse - Blade 20 AMP
14.....	543769.....	1.....	Harness - Wire Engine
15.....	303287.....	12.....	Plastic Tie 5.5 x .0044 x .1
16.....	543697.....	1.....	Cable Throttle (Kohler)
	323139.....	1.....	Cable Throttle (Kaw.) w/Choke
17.....	543696.....	1.....	Cable Choke (Kohler)
18.....	543793.....	5.....	Clip - .38" Loom
19.....	323128.....	1.....	Brkt - Safety Switch
20.....	513051.....	2.....	Switch, Neutral Lockout
21.....	800250.....	8.....	1/4-20 x 1/2 HH Capscrew
22.....	803017.....	2.....	Machine Screw - 10-24 x .63 Cir.
23.....	804252.....	8.....	# 10-24 Nyloc Hex Nut
24.....	543296.....	1.....	Grommet
25.....	809040.....	23"	Hose-Battery Mnifid.
26.....	513762.....	1.....	Clip - .50" Loom
27.....	543768.....	1.....	Harness - Wire Rider

### KEY PART # QTY. DESCRIPTION

28.....	805252.....	2.....	Standard Flat Washer .219
29.....	801039.....	6.....	#10-24 x 5/8 Std. Machine
30.....	513374.....	1.....	Meter, Engine Hours
31.....	513579.....	1.....	Module - Safety Interlock (Kohler)
	603625.....	1.....	Module - Safety Interlock (Kaw.)
32.....	543387.....	1.....	Switch, Toggle
33.....	543388.....	1.....	Guard, Switch Toggle
34.....	543386.....	2.....	Boot, Toggle Switch
35.....	543385.....	1.....	Switch, Toggle DPDT
36.....	513194.....	1.....	Ignition Switch
37.....	816002.....	1.....	Fuse - Blade 10 AMP
38.....	816003.....	1.....	Fuse - Blade 30 AMP
39.....	543974.....	1.....	Plate - Throttle (Kohler)
40.....	543391.....	1.....	Insulator - Battery Positive
41.....	543390.....	1.....	Insulator - Battery Negative
42.....	543994.....	1.....	Wire - (+) Battery (Kaw.)
43.....	543767.....	1.....	Wire - Ground (Kawasaki)
44.....	603645.....	1.....	Switch - Oil Pressure (Kaw.)
45.....	603626.....	1.....	Adapter - 1/8 NPT Ma/Fe (Kaw.)
46.....	603635.....	1.....	Adapter - Oil Switch (Kaw.)
47.....	809026.....	1.....	M8 x 1.25 x 16 mm HH Capscrew (Kawasaki)
48.....	543971.....	1.....	Harness - Starter (Kaw.)
49.....	542992-P.....	1.....	Harness - 17 HP Kawasaki
50.....		1.....	Voltage Regulator - Kaw. No. 21066-2056
51.....	800254.....	2.....	1/4-20 x 1 HH Capscrew (Kaw.)
52.....	513593.....	1.....	Knob - Black Ball
53.....	513592.....	1.....	Knob - Red Ball



## SEAT ASSEMBLY AND LIFT ACTUATOR

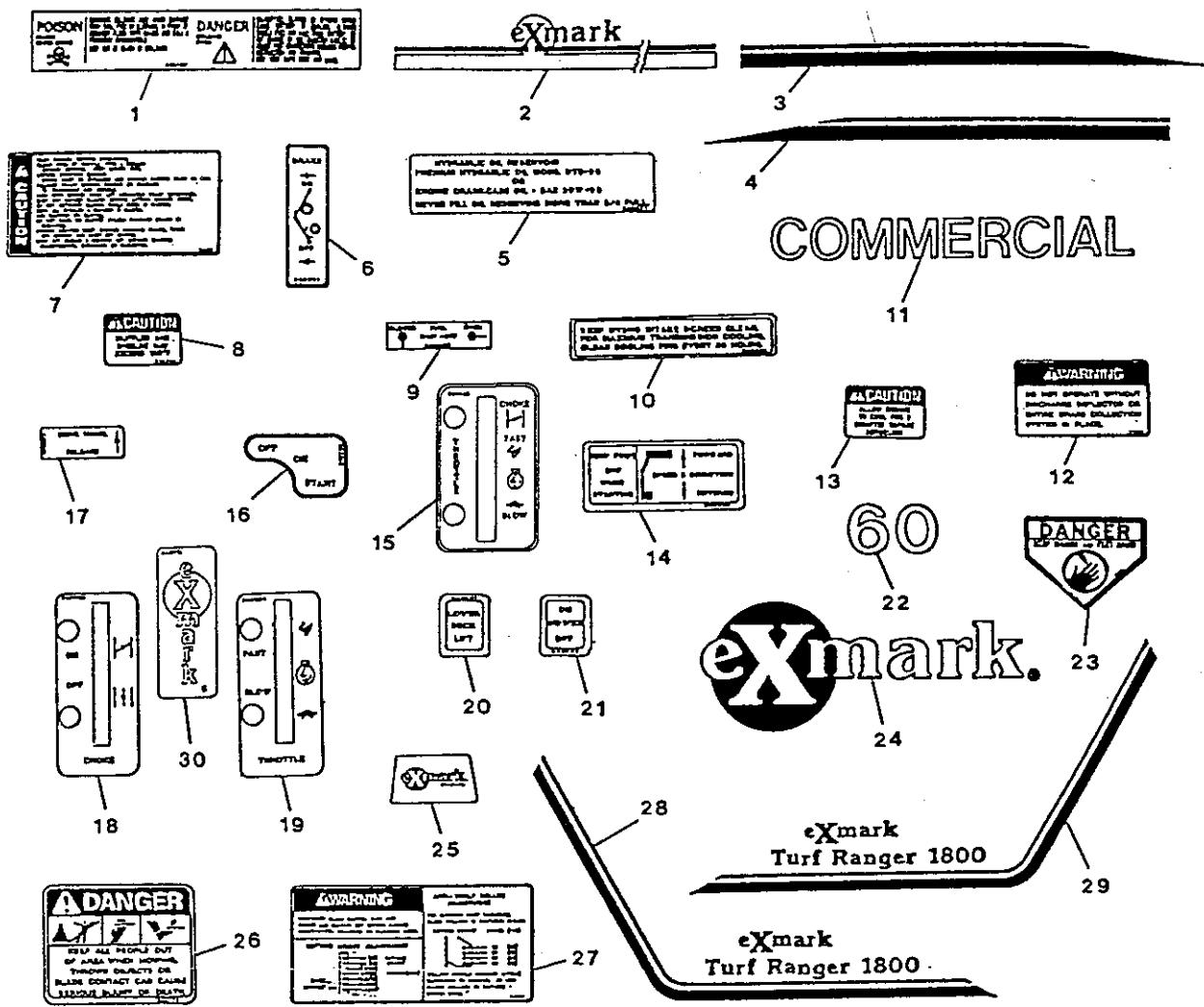
### KEY PART # QTY. DESCRIPTION

1.....	513147.....	1.....	Seat
2.....	513149.....	1.....	KIt - Armrest (Optional)
3.....	543368.....	1.....	Slide, Seat Fore/Aft
4.....	807503.....	4.....	5/16-18 x 3/4 Carr. SSN
5.....	809001.....	8.....	5/16-18 Whizlock Nut
6.....	542494.....	1.....	Plate Widmt - Seat Mnt
7.....	804257.....	2.....	3/8-16 Nyloc Hex Nut
8.....	800296.....	3.....	3/8-16 x 2 HH Capscrew
9.....	542951.....	1.....	Plate Widmt - Seat
10.....	809007.....	6.....	Nut - 3/8-16 Fing Hex
11.....	513479.....	2.....	Bushing, Spring Guide
12.....	513296.....	2.....	Spring, Reverse Indicator
13.....	809012.....	6.....	1/4-20 Whizlock Nut
14.....	805264.....	2.....	1/2 Std Flat Washer

### KEY PART # QTY. DESCRIPTION

15.....	213069.....	2.....	Strut - Adjustment Spacer
16.....	800278.....	2.....	5/16-18 x 2-1/4 HH Capscrew
17.....	800294.....	2.....	3/8-16 x 1-1/2 Capscrew
18.....	303327.....	2.....	3/8 Disc Spring Washer
19.....	543500.....	1.....	Support, Seat Plate
20.....	800007.....	2.....	1/4-20 x 1-1/4 HH Tap Screw
21.....	543953.....	1.....	Strap - Switch Engagement
22.....	543953.....	2.....	Bumper - Rubber
23.....	800290.....	2.....	3/8-16 x 3/4 HH Capscrew
24.....	542868.....	1.....	Pivot Weldment - Actuator
25.....	543186.....	1.....	Spacer - Electric Lift
26.....	800298.....	1.....	3/8-16 x 2-1/2 Capscrew
27.....	543361.....	1.....	Actuator, Linear
28.....	543708.....	1.....	Spacer - Rear

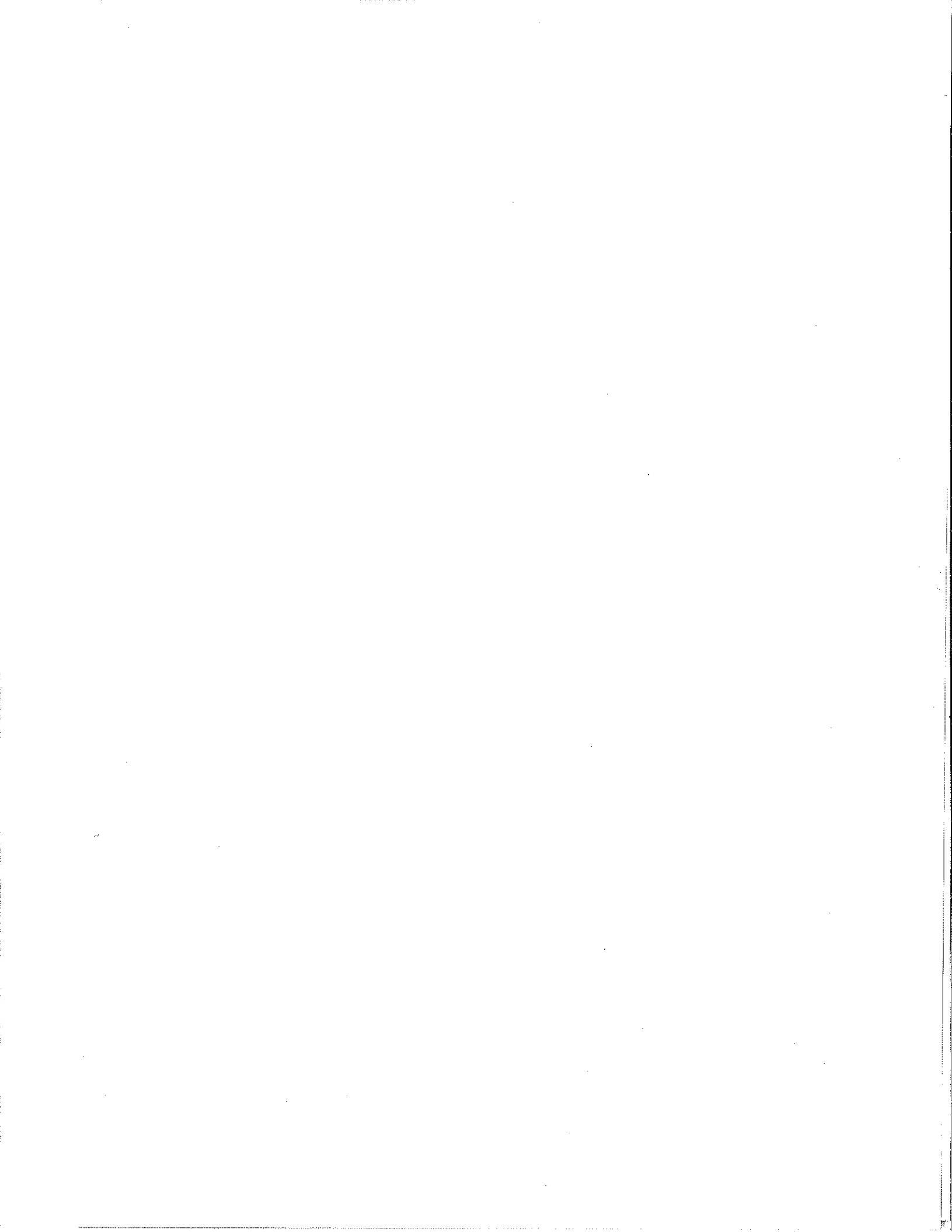




## DECALS

KEY	PART #	QTY.	DESCRIPTION	KEY	PART #	QTY.	DESCRIPTION
1.....	513747.....	1.....	Decal - Battery	16.....	513739.....	1.....	Ignition Decal
2.....	543782.....	1.....	Center Exmark Stripe	17.....	513743.....	1.....	Decal - Release
3.....	543781.....	1.....	RH Exmark Stripe	18.....	543630.....	1.....	Decal - Choke (Kohler)
4.....	543780.....	1.....	LH Exmark Stripe	19.....	543631.....	1.....	Decal - Throttle (Kohler)
5.....	543949.....	1.....	Decal - Hydro Tank	20.....	543627.....	1.....	Decal - Deck Lift
6.....	543622.....	1.....	Decal - Brake Lever	21.....	543626.....	1.....	Decal - Mower Switch
7.....	543628.....	1.....	Decal - Instructional	22.....	543664.....	1.....	Decal - 60
8.....	513746.....	1.....	Decal - Muffler	23.....	403005.....	2.....	Danger Label
9.....	543629.....	1.....	Decal - Fuel	24.....	543788.....	1.....	Decal - Exmark Large
10.....	543620.....	1.....	Decal - Intake	25.....	513756.....	1.....	Decal - Steering Column
11.....	543663.....	1.....	Decal - Commercial	26.....	543774.....	1.....	Decal - Danger
12.....	543659.....	1.....	Decal - Discharge Warning	27.....	543660.....	1.....	Decal - Mower Deck
13.....	303293.....	1.....	Decal - 2 Minute Warning	28.....	543632.....	1.....	Decal - LH Console
14.....	543624.....	1.....	Decal - Foot Pedal	29.....	543633.....	1.....	Decal - RH Console
15.....	603646.....	1.....	Decal - Throttle (Kawasaki)	30.....	543975.....	1.....	Decal - Choke Cover (Kaw.)





EXMARK MFG. CO., INC.  
INDUSTRIAL PARK BOX 748  
402/223-4010

PART # 850126  
BEATRICE, NE 68310  
FAX 402/223-4154

ALL RIGHTS RESERVED

PRINTED IN U.S.A.

