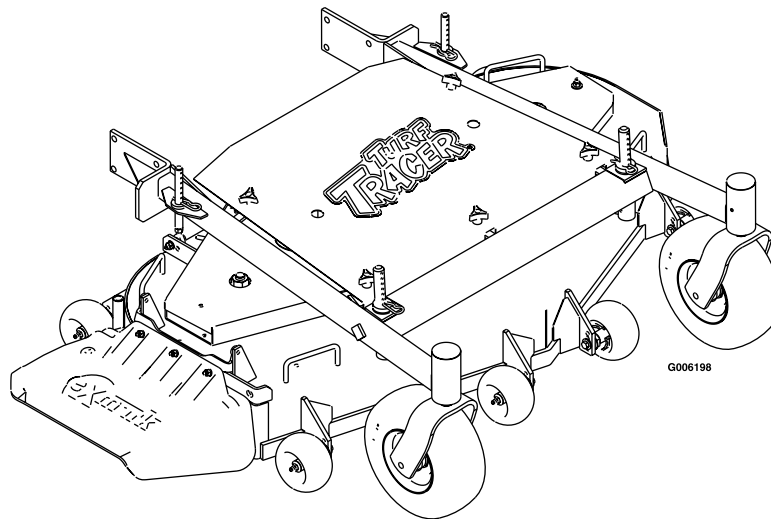




For Serial Nos.  
720,000 & Higher

# PARTS MANUAL



## FMD524/FMD604

Place Model No. And Serial No.  
Label Here (Included in Literature  
Pack) or Fill in Below

Model No. \_\_\_\_\_

Serial No. \_\_\_\_\_

Date Purchased \_\_\_\_\_

The Serial No. plate is located on the top of the deck in front of the right spindle. For ease of ordering and reference, we suggest that you record the information requested.

# EXMARK PARTS PLUS® PROGRAM

EFFECTIVE DATE: September 1, 1995

## Program

If your Exmark dealer does not have the Exmark part in stock, Exmark will get the parts to the dealer the next business day or the part will be FREE\* Guaranteed!!

### How the Program Works

1. If dealer does not have part in stock for a "down" unit at the time of request by customer, the dealer contacts his distributor by 1:00 p.m., local time, and requests Exmark Parts Plus® shipment of six (6) line items or less.
2. Distributor ships part(s) to dealer or customer, as requested by dealer, same day, overnight UPS. Distributor bills dealer for part and freight charges where applicable.
3. If distributor does not have the part(s) in stock to satisfy Exmark Parts Plus® order, he contacts Exmark by 3:00p.m., central time, with an Exmark Parts Plus® order of six (6) line items or less.
4. If order is received by 3:00 p.m. central time, Exmark ships part(s) direct to dealer or customer, as requested by distributor, same day, overnight UPS, Exmark bills the distributor for parts and shipping charges, where applicable.
5. The customer pays for the part and freight if it is shipped under the Exmark Parts Plus® and if it arrives in accordance to the program.
6. Who pays for the part and freight if it fails to arrive overnight in accordance to the program?
  - A. Under any circumstance the customer does not pay.
  - B. If the part does not arrive overnight due to:
    1. The dealer not submitting the Exmark Parts Plus® order to his Exmark distributor by 1:00 p.m., the dealer pays for the part and freight.
    2. The Distributor being unable to ship the part the same day or not submitting the Exmark Parts Plus® order to Exmark by 3:00 p.m., central time, the Distributor pays for the part and freight.
    3. Exmark being unable to ship the part and the Exmark parts order is received by 3:00 p.m., central time, Exmark pays for the part and freight.
    4. If the part does not arrive overnight due to the shipper (UPS), the shipper pays for the freight and Exmark pays for the part.



**The following restrictions apply** -- The Exmark Parts Plus® Program is available only through participating Exmark Dealers and applies only to orders submitted on this program Monday through Thursday. Parts Plus service is available only in the 48 contiguous United States. UPS has initiated a Saturday delivery program to many areas of the continental United States and can be requested for an overnight shipment on Friday to be delivered Saturday. The next day air charge, plus the Saturday delivery fee will be the responsibility of the purchaser. Exmark Mfg. will assume no responsibility for Saturday delivery shipments. To qualify, all Exmark Parts Plus® orders must be received by Exmark by 3:00 p.m., central time. Orders must be six (6) line items or less. Exclusions from the Exmark Parts Plus® Program are: Any wholegood or accessory in its entirety, engines and engine replacement parts, 5-speed Peerless transmissions and 5-speed transaxles, hydraulic or hydrostatic wheel motors, cutter decks and engine decks or any item exceeding United Parcel Service size and weight restrictions.

Due to UPS restrictions, aerosol spray paint is considered a hazardous material and cannot be shipped via UPS next day or Second Day Air.

Exmark Manufacturing stocks a limited supply of parts for transaxles, pumps and wheel motors. These parts can be ordered for Next Day Air shipment but will not be guaranteed per the Parts Plus Program



**READ OPERATOR'S MANUAL BEFORE  
OPERATING OR SERVICING EXMARK EQUIPMENT.**

## **TABLE OF CONTENTS**

| <b><u>Description</u></b>                     | <b><u>Page</u></b> |
|---|--------------------|
| 52" & 60" Support Group FMD524 & FMD604 ..... | 8                  |
| 52" Deck Group FMD524 .....                   | 4-5                |
| 60" Deck Group FMD604 .....                   | 6-7                |

## 52" DECK GROUP FMD524

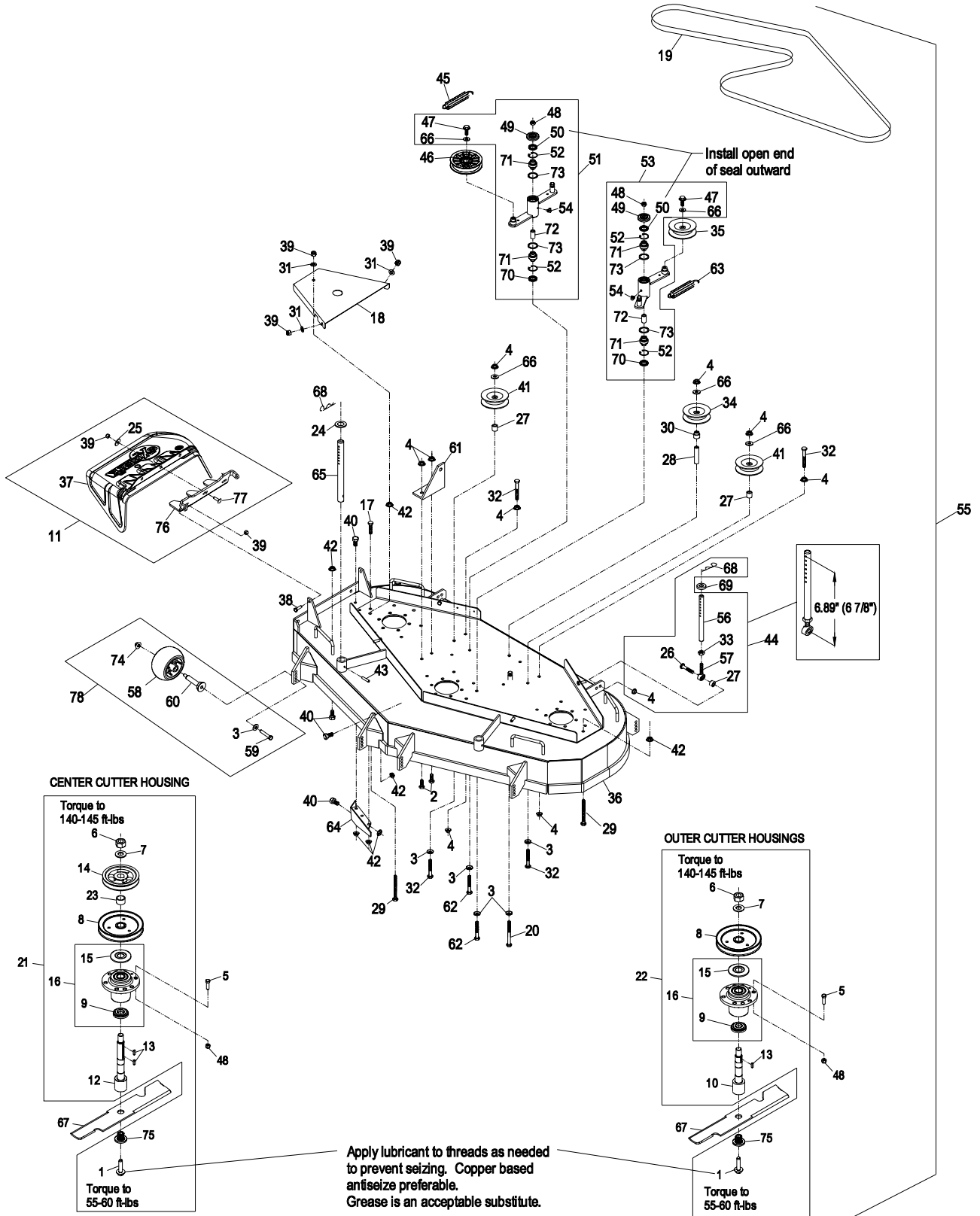
| Item | Part No.    | Description                            | Qty. |
|------|-------------|--|------|
| 1    | 109-5958    | Screw, Hex Flange 1/2-20.....          | 3    |
| 2    | 323-6       | Screw, HH 3/8-16 x 1.....              | 2    |
| 3    | 98-5975     | Washer, Spring Disk 3/8.....           | 11   |
| 4    | 3290-357    | Nut, Whizlock 3/8-16.....              | 10   |
| 5    | 323-7       | Screw, HH 3/8-16 x 1 1/4.....          | 18   |
| 6    | 3217-46     | Nut, Hex 3/4-16 Heavy.....             | 3    |
| 7    | 103-2802    | Washer, Spring Disk 3/4.....           | 3    |
| 8+   | 103-2794    | Sheave, Blade Drive.....               | 3    |
| 9    | 103-2535    | Spacer, Guard Bottom.....              | 3    |
| 10+  | 103-9086    | Kit, Outer Blade Spindle (Short).....  | 2    |
| 11   | 109-4722    | Asm, Discharge Chute.....              | 1    |
| 12+  | 103-9087    | Kit, Center Blade Spindle (Long).....  | 1    |
| 13   | 103-2982    | Key, Machine 1/4 x 3/16 x 3/4.....     | 4    |
| 14+  | 103-2793    | Sheave, Mower Drive.....               | 1    |
| 15+  | 103-1330    | Guard, Bearing Top.....                | 3    |
| 16+  | 103-8280    | Housing W/Bearings.....                | 3    |
| 17   | 322-3       | Screw, HH 5/16-18 x 3/4.....           | 1    |
| 18   | 103-2969-01 | Cover, Deck.....                       | 2    |
| 19   | 103-2329    | Belt, Blade Drive.....                 | 1    |
| 20   | 323-23      | Screw, HH 3/8-16 x 4-1/2.....          | 1    |
| 21   | 103-9084    | Housing, Cutter Complete (Center)..... | 1    |
| 22   | 103-9076    | Housing, Cutter Complete (Outer).....  | 2    |
| 23   | 103-3209    | Spacer, Tube.....                      | 1    |
| 24   | 1-413425    | Spacer.....                            | 2    |
| 25   | 3256-82     | Washer.....                            | 3    |
| 26   | 323-9       | Screw, HH 3/8-16 x 1 3/4.....          | 2    |
| 27   | 1-603050    | Spacer.....                            | 4    |
| 28   | 1-633988    | Spacer.....                            | 1    |
| 29   | 1-800017    | Bolt, HH 5/16-18 x 3 1/4 Tap.....      | 2    |
| 30   | 1-513791    | Bushing.....                           | 1    |
| 31   | 3256-3      | Washer, 5/16 Std.....                  | 6    |
| 32   | 323-12      | Screw, HH 3/8-16 x 2 1/2.....          | 4    |
| 33   | 3220-3      | Nut, Hex Jam 3/8-24.....               | 2    |
| 34   | 1-603805    | Idler.....                             | 1    |
| 35   | 1-613098    | Idler.....                             | 1    |
| 36   | 109-4652    | Deck, (109-4633-01) W/ Decals.....     | 1    |
| 37   | 109-2738    | Chute, Discharge.....                  | 1    |
| 38   | 322-5       | Screw, HH 5/16-18 x 1.....             | 2    |
| 39   | 3296-29     | Nut, Nyloc 5/16-18.....                | 8    |
| 40   | 322-2       | Screw, HH 5/16-18 x 5/8.....           | 5    |
| 41   | 1-303516    | Pulley, V-Idler.....                   | 2    |
| 42   | 32128-20    | Nut, Whizlock 5/16-18.....             | 8    |

| Item | Part No.    | Description                        | Qty. |
|------|-------------|------------------------------------|------|
| 43   | 1-806332    | Rollpin 1/4 x 1 1/2.....           | 2    |
| 44*  | 1-411532    | Kit, Support Link W/Pin.....       | 2    |
| 45   | 1-603413    | Spring, Extension.....             | 1    |
| 46   | 109-4077    | Pulley, Idler.....                 | 1    |
| 47   | 3234-11     | Screw, HH FLG 3/8-16 x 1.....      | 2    |
| 48   | 3296-39     | Nut, Nyloc 3/8-16.....             | 20   |
| 49   | 103-2916    | Guard, Top.....                    | 2    |
| 50   | 103-3506    | Seal, Single Lip.....              | 2    |
| 51■  | 103-8072    | Kit, Idler Arm W/Bearings.....     | 1    |
| 52   | 32120-10    | Ring, Retaining.....               | 4    |
| 53■  | 103-8071    | Kit, Idler Arm W/Bearings.....     | 1    |
| 54   | 302-40      | Zerk, 90° 1/4-28.....              | 2    |
| 55   | 103-2327    | Asm, Complete Deck.....            | 1    |
| 56   | 1-413525    | Link, Rear Deck Support.....       | 2    |
| 57   | 1-613204    | Balljoint.....                     | 2    |
| 58   | 1-603299    | Roller, Anti Scalp.....            | 6    |
| 59   | 3211-46     | Screw, HH 3/8-24 x 2 Gr8.....      | 6    |
| 60   | 103-5364    | Axle, Anti-Scalp Roller.....       | 6    |
| 61   | 1-603620-01 | Bracket, Spring Anchor.....        | 1    |
| 62   | 98-5961     | Screw, HH 3/8-16 x 4 Gr8.....      | 2    |
| 63   | 1-603414    | Spring, Extension.....             | 1    |
| 64   | 1-602913-01 | Baffle.....                        | 1    |
| 65   | 1-603001    | Rod, Deck Support.....             | 2    |
| 66   | 3256-24     | Washer, 3/8 SAE.....               | 5    |
| 67   | 103-6402    | Blade, Notched.....                | 3    |
|      | 103-6382    | Blade, Solid.....                  | 3    |
|      | 103-6387    | Blade, Low Lift.....               | 3    |
| ▲    | 103-6392    | Blade, Mulching.....               | 3    |
|      | 103-6397    | Blade, Extreme.....                | 3    |
| 68   | 1-806009    | Hairpin, Cotter #206.....          | 4    |
| 69   | 1-323539    | Spacer, Blade Drive.....           | 2    |
| 70   | 103-3505    | Seal, Double, Lip.....             | 2    |
| 71   | 103-3504    | Bearing, Spherical.....            | 4    |
| 72   | 1-413088    | Spacer.....                        | 2    |
| 73   | 106-7159    | O-Ring.....                        | 4    |
| 74   | 109-6658    | Nut, Nyloc 3/8-16 Flg.....         | 6    |
| 75   | 103-3037    | Bushing, Splined.....              | 3    |
| 76   | 109-4573-01 | Bracket, Discharge Chute.....      | 1    |
| 77   | 3230-22     | Bolt, Carriage 5/16-18 x 1 Sp..... | 3    |
| 78   | 103-7263    | Kit, Anti Scalp.....               | 6    |
|      | 103-5828    | Kit, Decal.....                    |      |

Exmark red touch up paint (spray paint - P/N 1-850337 - .6 oz liquid bottle - P/N 103-9140).

- ✚ Apply Mobil HTS grease (P/N 103-5217 1.5 oz packet) (or a food-grade anti-seize) between the spindles & bearings and spindles & sheaves and under top bearing guard. DO NOT use a copper or nickel based anti-seize.
- \* Link assembly nominal length is 6.89" (or approx. 6 7/8") between center of ball joint & center of furthest hole. See diagram on next page. Initially adjust both links to this dimension, then adjust to where both links are equally supporting rear of mower deck by lengthening one link and shortening the other by an equal amount.
- ▲ Requires installation of Micro-Mulch accessory for proper mulching. Mulch kit P/N MK524Q.
- Idler arm assembly also includes items #3 & #62.

# 52" DECK GROUP FMD 524



## 60" DECK GROUP FMD604

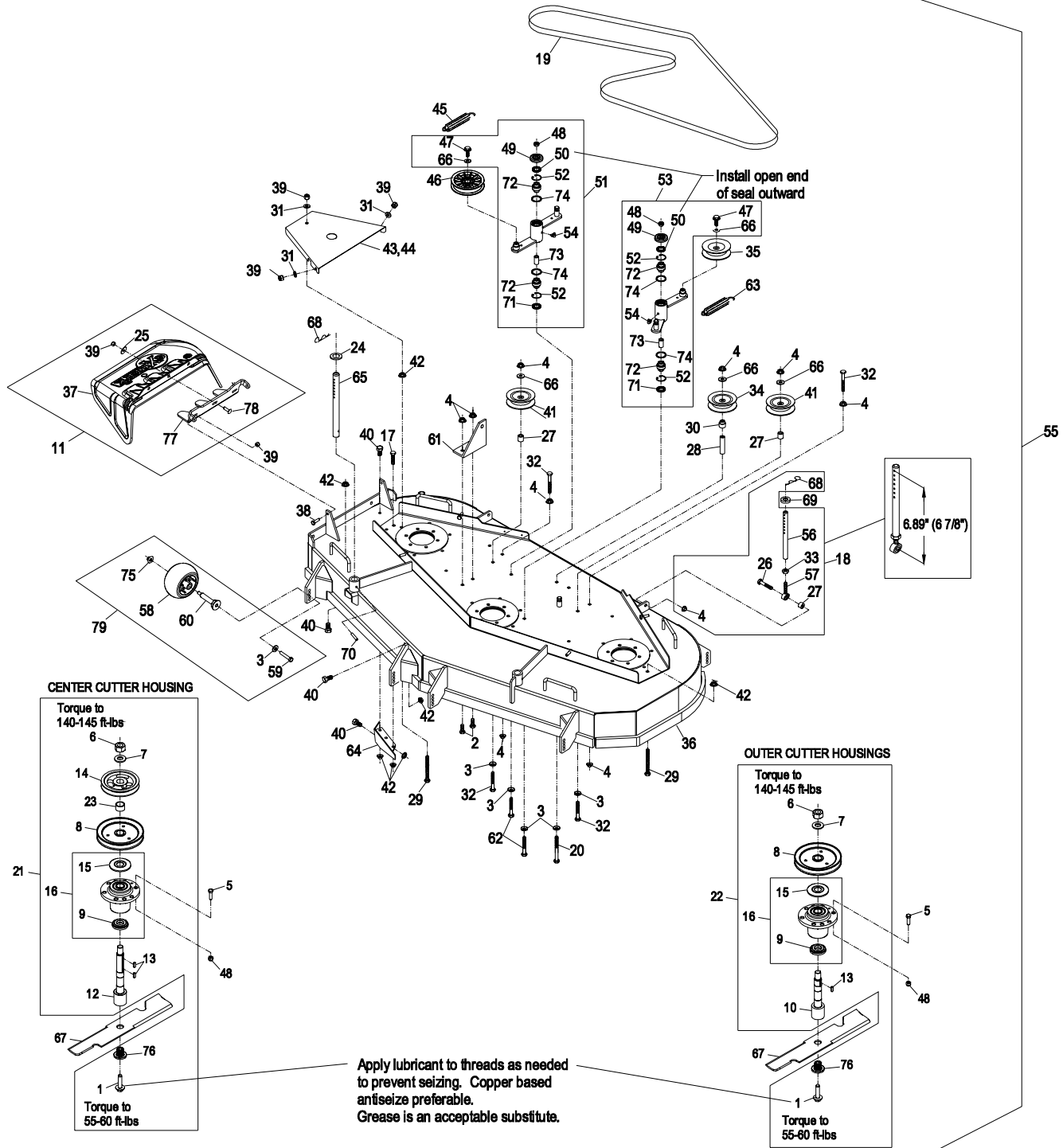
| Item | Part No. | Description                            | Qty. |
|------|----------|--|------|
| 1    | 109-5958 | Screw, Hex Flange 1/2-20.....          | 3    |
| 2    | 323-6    | Screw, HH 3/8-16 x 1.....              | 2    |
| 3    | 98-5975  | Washer, Spring Disk 3/8.....           | 11   |
| 4    | 3290-357 | Nut, Whizlock 3/8-16.....              | 10   |
| 5    | 323-8    | Screw, HH 3/8-16 x 1 1/2.....          | 18   |
| 6    | 3217-46  | Nut, Hex 3/4-16 Heavy.....             | 3    |
| 7    | 103-2802 | Washer, Spring Disk 3/4.....           | 3    |
| 8+   | 103-2794 | Sheave, Blade Drive.....               | 3    |
| 9    | 103-2535 | Spacer, Guard Bottom.....              | 3    |
| 10+  | 103-9086 | Kit, Outer Blade Spindle (Short).....  | 2    |
| 11   | 109-4722 | Asm, Discharge Chute.....              | 1    |
| 12+  | 103-9087 | Kit, Center Blade Spindle (Long).....  | 1    |
| 13   | 103-2982 | Key, Machine 1/4 x 3/16 x 3/4.....     | 4    |
| 14+  | 103-2791 | Sheave, Mower Drive.....               | 1    |
| 15+  | 103-1330 | Guard, Bearing Top.....                | 3    |
| 16+  | 103-8280 | Housing W/Bearings.....                | 3    |
| 17   | 322-3    | Screw, HH 5/16-18 x 3/4.....           | 1    |
| 18*  | 1-411532 | Kit, Support Link W/Pin.....           | 2    |
| 19   | 1-633173 | Belt, Blade Drive.....                 | 1    |
| 20   | 323-23   | Screw, HH 3/8-16 x 4-1/2.....          | 1    |
| 21   | 103-9083 | Housing, Cutter Complete (Center)..... | 1    |
| 22   | 103-9076 | Housing, Cutter Complete (Outer).....  | 2    |
| 23   | 103-3209 | Spacer, Tube.....                      | 1    |
| 24   | 1-413425 | Spacer.....                            | 2    |
| 25   | 3256-82  | Washer.....                            | 3    |
| 26   | 323-9    | Screw, HH 3/8-16 x 1 3/4.....          | 2    |
| 27   | 1-603050 | Spacer.....                            | 4    |
| 28   | 1-633988 | Spacer.....                            | 1    |
| 29   | 1-800017 | Bolt, HH 5/16-18 x 3 1/4 Tap.....      | 2    |
| 30   | 1-513791 | Bushing.....                           | 1    |
| 31   | 3256-3   | Washer, 5/16 Std.....                  | 6    |
| 32   | 323-12   | Screw, HH 3/8-16 x 2 1/2.....          | 4    |
| 33   | 3220-3   | Nut, Hex Jam 3/8-24.....               | 2    |
| 34   | 1-603805 | Idler.....                             | 1    |
| 35   | 1-613098 | Idler.....                             | 1    |
| 36   | 109-4653 | Deck, (109-4635-01) W/ Decals.....     | 1    |
| 37   | 109-2738 | Chute, Discharge.....                  | 1    |
| 38   | 322-5    | Screw, HH 5/16-18 x 1.....             | 2    |
| 39   | 3296-29  | Nut, Nyloc 5/16-18.....                | 8    |
| 40   | 322-2    | Screw, HH 5/16-18 x 5/8.....           | 5    |
| 41   | 1-303516 | Pulley, V-Idler.....                   | 2    |
| 42   | 32128-20 | Nut, Whizlock 5/16-18.....             | 8    |

| Item | Part No.    | Description                        | Qty. |
|------|-------------|------------------------------------|------|
| 43   | 103-2967-01 | Shield, Belt RH.....               | 1    |
| 44   | 103-2968-01 | Shield, Belt LH.....               | 1    |
| 45   | 1-603413    | Spring, Extension.....             | 1    |
| 46   | 109-4077    | Pulley, Idler.....                 | 1    |
| 47   | 3234-11     | Screw, HH FLG 3/8-16 x 1.....      | 2    |
| 48   | 3296-39     | Nut, Nyloc 3/8-16.....             | 20   |
| 49   | 103-2916    | Guard, Top.....                    | 2    |
| 50   | 103-3506    | Seal, Single Lip.....              | 2    |
| 51■  | 103-8072    | Kit, Idler Arm W/Bearings.....     | 1    |
| 52   | 32120-10    | Ring, Retaining.....               | 4    |
| 53■  | 103-8071    | Kit, Idler Arm W/Bearings.....     | 1    |
| 54   | 302-40      | Zerk, 90° 1/4-28.....              | 2    |
| 55   | 103-2279    | Complete Deck Assy.....            | 1    |
| 56   | 1-413525    | Link, Rear Deck Support.....       | 2    |
| 57   | 1-613204    | Balljoint.....                     | 2    |
| 58   | 1-603299    | Roller, Anti Scalp.....            | 6    |
| 59   | 3211-46     | Screw, HH 3/8-24 x 2 Gr8.....      | 6    |
| 60   | 103-5364    | Axle, Anti-Scalp Roller.....       | 6    |
| 61   | 1-603620-01 | Bracket, Spring Anchor.....        | 1    |
| 62   | 98-5961     | Screw, HH 3/8-16 x 4 Gr8.....      | 2    |
| 63   | 1-603414    | Spring, Extension.....             | 1    |
| 64   | 1-602913-01 | Baffle.....                        | 1    |
| 65   | 1-603001    | Rod, Deck Support.....             | 2    |
| 66   | 3256-24     | Washer, 3/8 SAE.....               | 5    |
| 67   | 103-6403    | Blade, Notched.....                | 3    |
|      | 103-6383    | Blade, Solid.....                  | 3    |
|      | 103-6388    | Blade, Low Lift.....               | 3    |
| ▲    | 103-6393    | Blade, Mulching.....               | 3    |
|      | 103-6398    | Blade, Extreme.....                | 3    |
| 68   | 1-806009    | Hairpin, Cotter #206.....          | 4    |
| 69   | 1-323539    | Spacer, Blade Drive.....           | 2    |
| 70   | 1-806332    | Rollpin 1/4 x 1 1/2.....           | 2    |
| 71   | 103-3505    | Seal, Double, Lip.....             | 2    |
| 72   | 103-3504    | Bearing, Spherical.....            | 4    |
| 73   | 1-413088    | Spacer.....                        | 2    |
| 74   | 106-7159    | O-Ring.....                        | 4    |
| 75   | 109-6658    | Nut, Nyloc 3/8-16 Flg.....         | 6    |
| 76   | 103-3037    | Bushing, Splined.....              | 3    |
| 77   | 109-4573-01 | Bracket, Discharge Chute.....      | 1    |
| 78   | 3230-22     | Bolt, Carriage 5/16-18 x 1 Sp..... | 3    |
| 79   | 103-7263    | Kit, Anti Scalp.....               | 6    |
|      | 103-5828    | Kit, Decal.....                    |      |

Exmark red touch up paint (spray paint - P/N 1-850337 - .6 oz liquid bottle - P/N 103-9140).

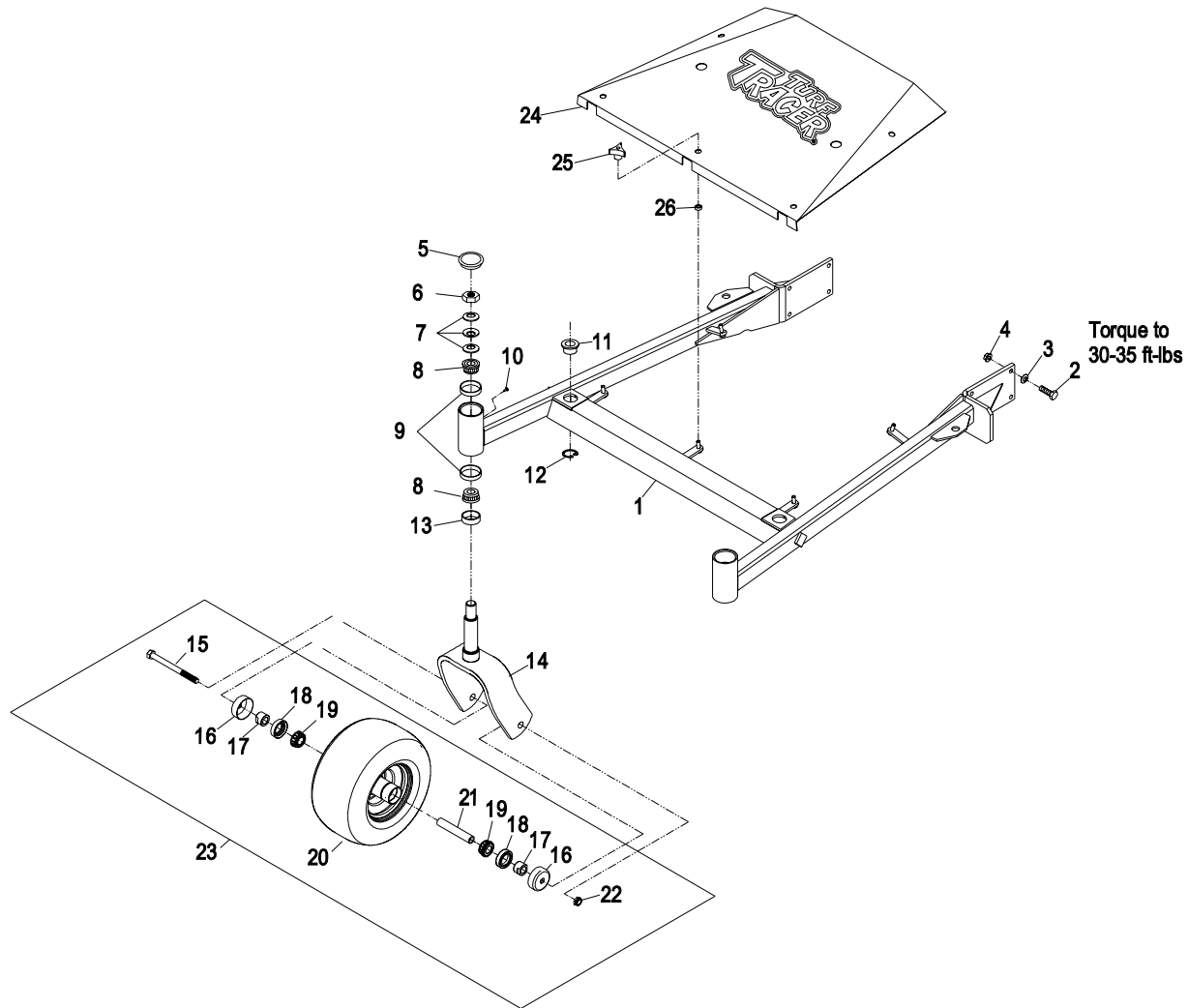
- Apply Mobil HTS grease (P/N 103-5217 1.5 oz packet) (or a food-grade anti-seize) between the spindles & bearings and spindles & sheaves and under top bearing guard. DO NOT use a copper or nickel based anti-seize.
- \* Link assembly nominal length is 6.89" (or approx. 6 7/8") between center of ball joint & center of furthest hole. See diagram on next page. Initially adjust both links to this dimension, then adjust to where both links are equally supporting rear of mower deck by lengthening one link and shortening the other by an equal amount.
- ▲ Requires installation of Micro-Mulch accessory for proper mulching. Mulch kit P/N MK604Q.
- Idler arm assembly also includes items #3 & #62.

# 60" DECK GROUP FMD604



Apply lubricant to threads as needed to prevent seizing. Copper based anti-seize preferable. Grease is an acceptable substitute.

## 52" and 60" DECK SUPPORT GROUP FMD524 and FMD604



| Item | Part No.    | Description                       | Qty. |
|------|-------------|-----------------------------------|------|
| 1▲   | 103-1895    | Support, Deck (103-4959-01) (52") | 1    |
| ▲    | 103-1896    | Support, Deck (103-4960-01) (60") | 1    |
| 2    | 323-7       | Screw, HH 3/8-16 x 1 1/4          | 8    |
| 3    | 98-5975     | Washer, Spring Disk 3/8           | 8    |
| 4    | 3290-357    | Nut, Whizlock 3/8-16              | 8    |
| 5    | 103-4882    | Cap, Grease                       | 2    |
| 6    | 3296-51     | Nut, Nyloc 3/4-10                 | 2    |
| 7    | 1-633508    | Washer, Spring Disk               | 6    |
| 8    | 1-543509    | Cone, Bearing Tapered Roller      | 4    |
| 9    | 1-543508    | Cup, Bearing Tapered Roller       | 4    |
| 10   | 1-811010    | Plug                              | 2    |
| 11   | 1-513336    | Bushing, Deck Support             | 2    |
| 12   | 32120-33    | Ring, Retaining                   | 2    |
| 13   | 1-543511    | Seal, Grease                      | 2    |
| 14   | 103-1891-01 | Fork, Caster                      | 2    |

| Item | Part No. | Description                  | Qty. |
|------|----------|------------------------------|------|
| 15   | 325-20   | Screw, HH 1/2-13 x 6         | 2    |
| 16   | 103-2768 | Guard, Seal                  | 4    |
| 17+  | 103-3051 | Spacer, Nut                  | 4    |
| 18   | 103-0063 | Seal, Double Lip             | 4    |
| 19   | 1-633585 | Bearing, Cone Tapered Roller | 4    |
| 20   | 1-323417 | Washer, Belt Shield          | 5    |
| 21   | 103-3157 | Axle, Caster                 | 2    |
| 22   | 3296-45  | Nut, Nyloc 1/2-13 Thin       | 2    |
| 23   | 109-3524 | Asm, Wheel & Tire With Axle  | 2    |
| 24   | 103-2332 | Shield, Belt (103-2319-01)   |      |
|      |          | W/Decal (52")                | 1    |
|      | 103-2275 | Shield, Belt (103-2273-01)   |      |
|      |          | W/Decal (60")                | 1    |
| 25   | 1-323385 | Knob, 3 Prong                | 5    |
| 26   | 1-323417 | Washer, Belt Shield          | 5    |

Exmark red touch up paint (spray paint - P/N 1-850337 - .6 oz liquid bottle - P/N 103-9140).

+ Use Pro-Lock, Nut Type (P/N 1-840022, .5ml tube) on spacer nut, Item #17.

▲ Includes frame weldment plus items #5, #9, #10, #11, #12 and #13.



## NOTES

## NOTES



# See Exmark's Complete Line of Accessories

## Riding Accessories

Custom Ride Seat Suspension System  
Deck Lift Assist Kit  
Hitch Kit  
Light Kit  
Micro-mulch System  
Roll Over Protection System (ROPS)  
Snow Blade  
Sun Shade  
Trash Container  
Turf Striper  
Ultra Vac Collection System  
Ultra Vac Quick Disposal System

## Walk Behind Accessories

Grass Catcher  
Micro-mulch System  
Steerable Sulky  
Sulky Hitch Kit  
Turf Striper  
Standon

Check Us Out On The Web:  
[www.exmark.com](http://www.exmark.com)