

FRONTRUNNER™

DIESEL MODELS

For Serial Nos.
720,000 & Higher
Part No. 4500-228 Rev. A

Parts Manual

EXMARK PARTS PLUS

PARTS

OVERNIGHT
OR *FREE**

If your Exmark dealer does not have the Exmark part in stock, Exmark will get the parts to the dealer the next business day or the part will be FREE Guaranteed!! (Some restrictions apply. See your participating Exmark Dealer for details.)

**READ OPERATOR'S MANUAL BEFORE
OPERATING OR SERVICING EXMARK EQUIPMENT.**

TABLE OF CONTENTS

<u>Description</u>	<u>Page</u>
Auxiliary Hydraulic Group	14
Cooling Group	13
Decal Group	20
Electrical Diagram	18
Electrical Logic Schematic.....	19
Electrical Group.....	17
Engine Group	11-12
Fuel Group.....	10
Hydraulic Group.....	15-16
Main frame Group.....	3-5
Motion Control Group	9
Park Brake Group.....	8
PTO Drive Group	7
Rear Frame Group.....	6

MAIN FRAME GROUP

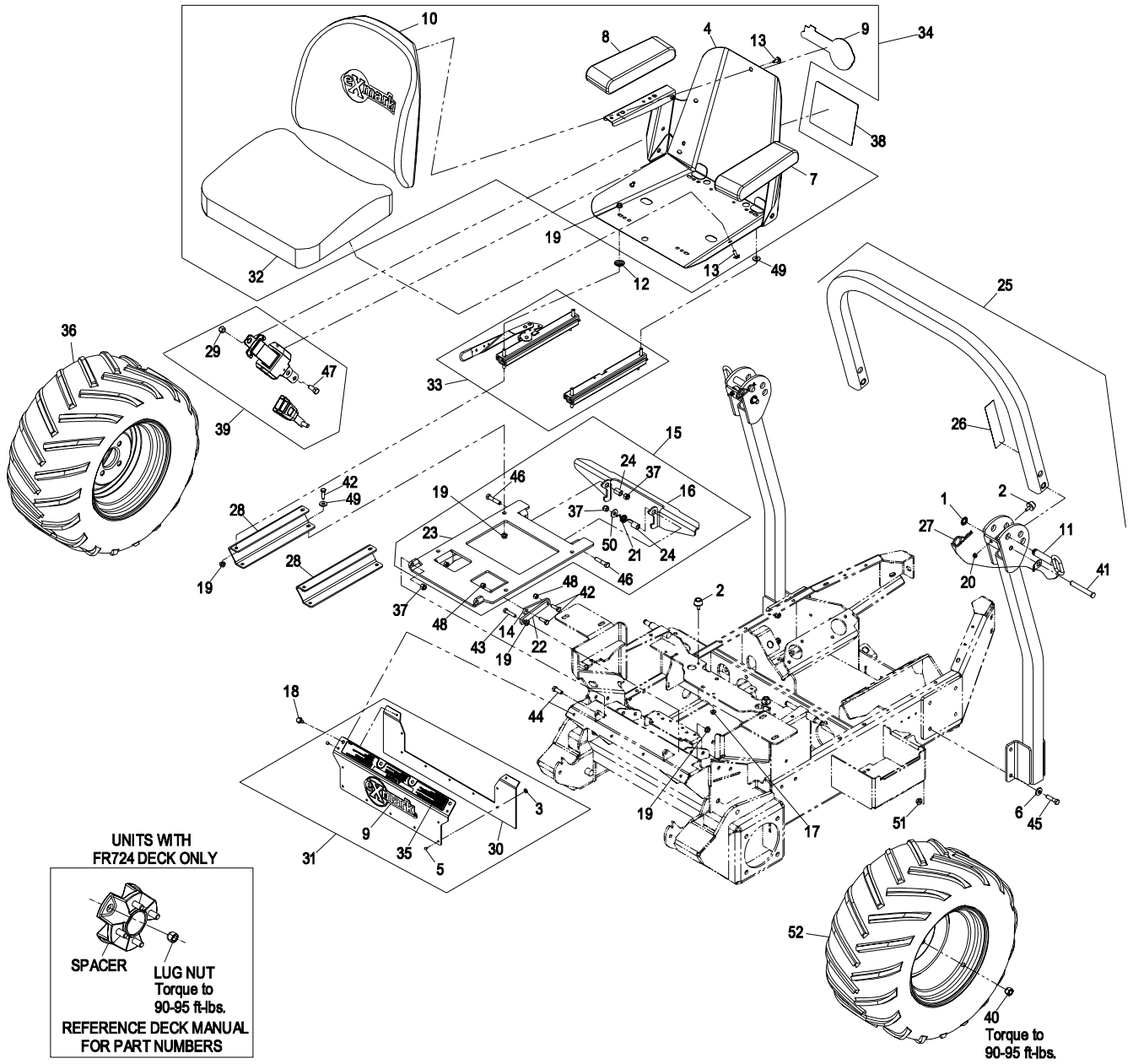
Item	Part No.	DESCRIPTION	Qty.
1	1-323142	Nut, Push 1/2	2
2	109-2365	Bumper	4
3	3256-14	Washer, #10 Std	9
4	1-633859	Frame, Seat	1
5	1-803035	Rivet 3/16 x 1/4	9
6	98-5975	Washer, Spring Disc 3/8	8
7	103-0291	Cushion, Armrest LH	1
8	103-0292	Cushion, Armrest RH	1
9	103-2882	Decal, Exmark Logo	2
10	103-3520	Seat, Back	1
11■	103-4553	Asm, ROPS Fold Pin	2
12	1-543401	Spacer, Seat Track	2
13	103-8383	Screw, HWH 1/4-20 x 3/4 Taptite	11
14	103-5161	Link, Seat Stop	2
15+	103-6761	Asm, Seat Frame	1
16	103-6765-03	Latch, Seat	1
17	32128-33	Nut, Whizlock 1/4-20	2
18	9264964	Bolt, HWH 5/16-18 x 3/4 Tap	4
19	32128-20	Nut, Whizlock 5/16-18	16
20	3296-73	Nut, Nyloc 1/4-20	2
21	103-8316	Spring	1
22	103-8826	Link, Lower Seat Stop	2
23	103-9446-03	Plate, Seat Mount	1
24	1-633080	Bushing	2
25◆	109-2817	Kit, ROPS	1
26	107-2102	Decals, Warning	1
27	107-3155	Cotter, Hair Pin Double Loop	2
28	109-3633-03	Support, Angled Seat	2

Item	Part No.	DESCRIPTION	Qty.
29	3296-7	Nut, Nyloc 7/16-20	2
30	109-0768	Skirt, Rubber	1
31	109-3547	Asm, Front Console W/Decals	1
32	109-2008	Cushion, Seat Bottom/W Switch	1
33	109-2009	Grp, Seat Track	1
34●	109-2005	Asm, Seat W/Decal	1
35	109-2360	Decal, Top Console	1
36	109-3478	Asm, Wheel & Tire (RH)	1
	109-3156	Wheel	1
	103-6771	Tire, 24x12-12 4 Ply	1
37	3296-39	Nut, Nyloc 3/8-16	4
38	109-3637	Decal, Service Aid	1
39	110-0883	Kit, Seatbelt	1
40	242-50	Nut, Lug 1/2-20	8
41	283-69	Pin, Clevis 1/2 x 3 1/2	2
42	322-5	Screw, HH 5/16-18 x 1	8
43	322-7	Screw, HH 5/16-18 x 1 1/2	2
44	323-6	Screw, HH 3/8-16 x 1	2
45	323-8	Screw, HH 3/8-16 x 1 1/2	8
46	323-9	Screw, HH 3/8-16 x 1 3/4	2
47	3212-4	Screw, HH 7/16-20 x 1	2
48	3296-29	Nut, Nyloc 5/16-18	4
49	3256-3	Washer, 5/16 Std	6
50	3256-4	Washer, 3/8 Std	1
51	3290-357	Nut, Whizlock 3/8-16	8
52	109-3479	Asm, Wheel & Tire (LH)	1
	109-3156	Wheel	1
	103-6771	Tire, 24x12-12 4 Ply	1

Exmark black touch up spray paint – Gloss black

- Includes ROPS fold pin plus hairpin, item #27.
- ◆ Rollover protection frame is serviced as a complete assembly only. Includes complete ROPS frame, mounting hardware, fold pivot and locking hardware, seat frame assembly item #15 and seat belt assembly item #39.
- Includes armrests and seat back decal. Does not include seat belt or tracks.
- ⊕ Does not include item #19 or #48.

MAIN FRAME GROUP

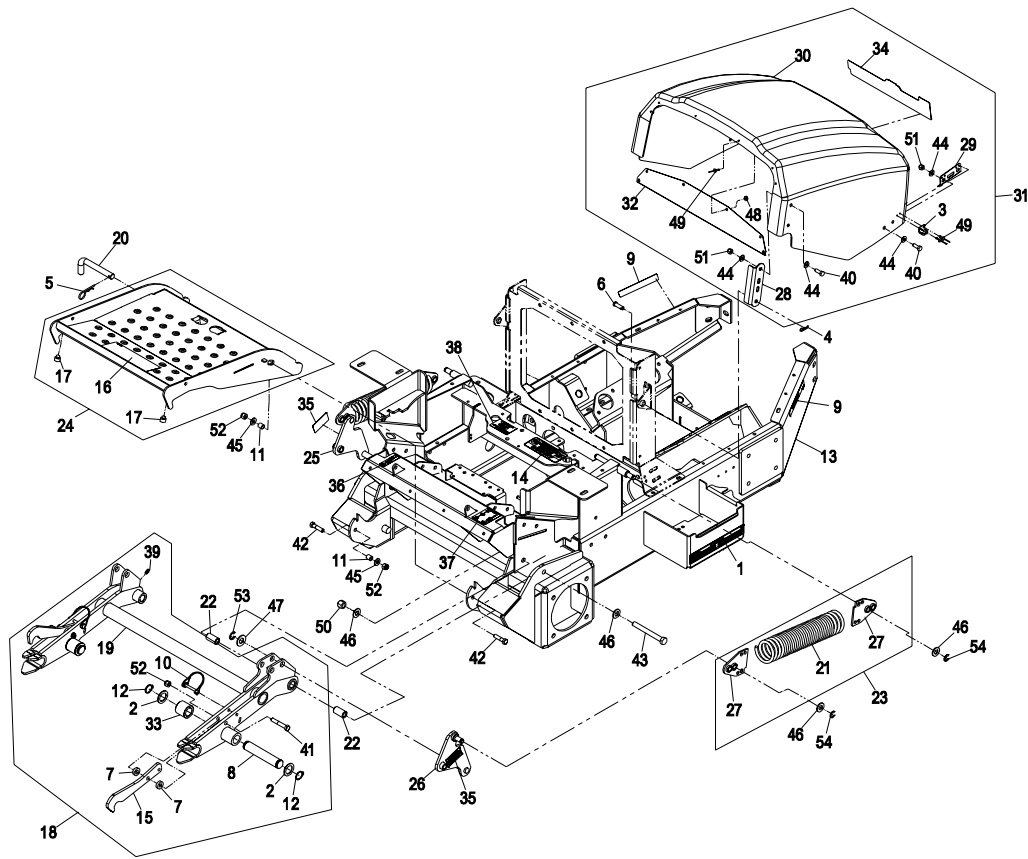


**UNITS WITH
FR724 DECK ONLY**

SPACER **LUG NUT**
Torque to
90-95 ft-lbs.
**REFERENCE DECK MANUAL
FOR PART NUMBERS**

40
Torque to
90-95 ft-lbs.

MAIN FRAME GROUP (cont.)

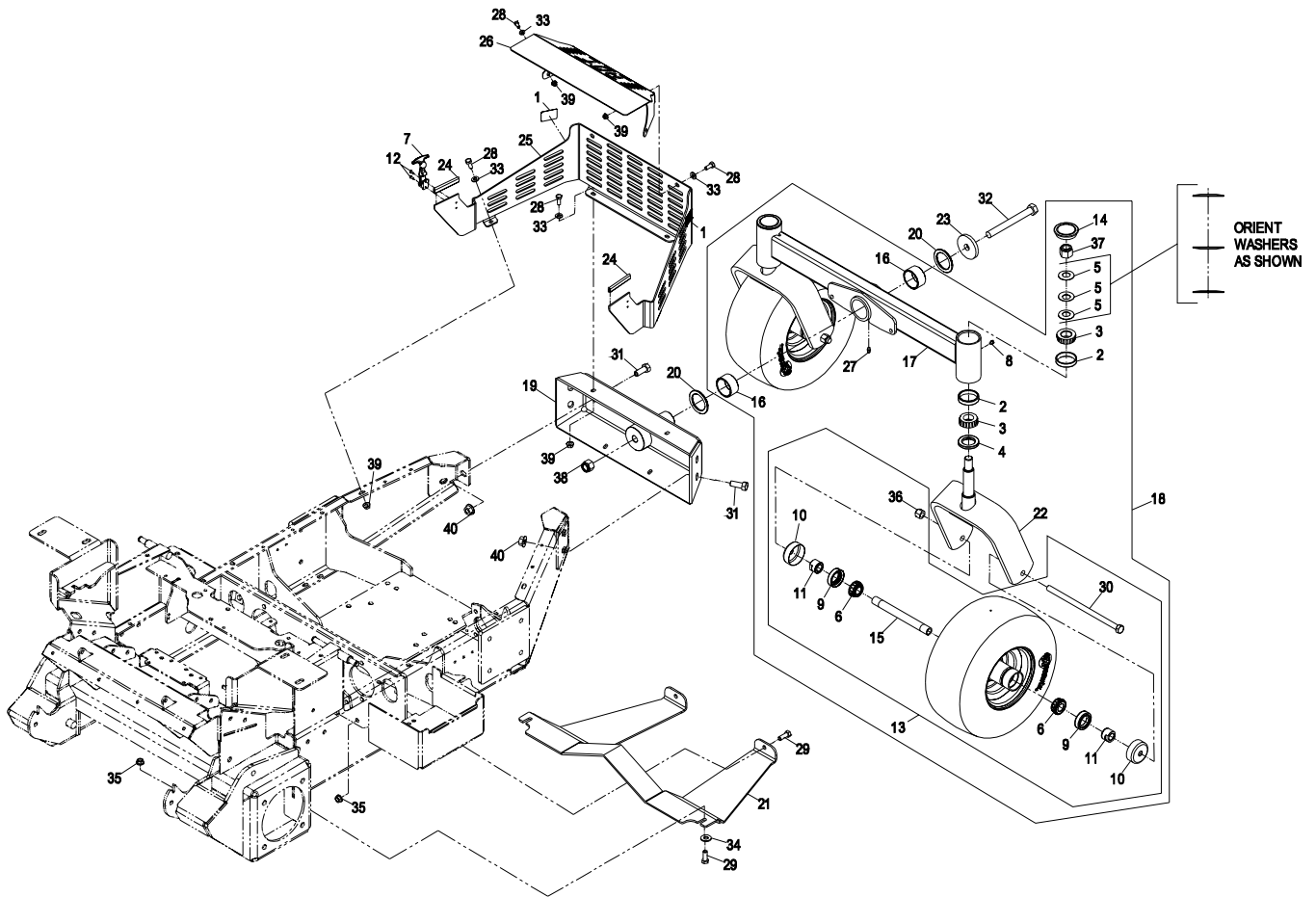


Item	Part No.	DESCRIPTION	Qty.
1	1-513747	Decal, Battery	1
2	1-523157	Washer	4
3	1-643189	Keeper, Rubber Latch	2
4	1-806003	Hairpin, Cotter.....	2
5	1-806005	Hairpin, Cotter.....	1
6	1-808285	Pin, Clevis 3/8 x 1 1/8	2
7	5-0652	Spacer	4
8	93-2699	Pin	2
9	98-4361	Decal, Warning	2
10	100-1663	Pin	2
11	103-1166	Spacer	2
12	32151-36	Ring, Retaining	4
13	109-2764	Asm, Main Frame W/Decals	1
14	103-7218	Decal, Pump Fan Warning.....	1
15	103-9727	Latch, Hitch.....	2
16	107-2112	Decal, Danger.....	1
17	107-8042	Bumper, Rubber.....	2
18	109-0075	Asm, Hitch	1
19	109-0080-03	Wld, Hitch	1
20	109-0325	Pin, Full Fold.....	1
21	109-0411	Spring	2
22	109-0435	Bushing.....	4
23	109-0450	Asm, Spring.....	2
24	109-2772	Asm, Floorpan W/Decals	1
25	109-2773	Asm, Spring Bellcrank W/Decals (RH)...	1
26	109-2774	Asm, Spring Bellcrank W/Decals (LH) ...	1
27	109-0634	Wld, Spring Anchor.....	4

Item	Part No.	DESCRIPTION	Qty.
28	109-3461-03	Arm, Pivot.....	2
29	109-1257-03	Hook, Hood.....	2
30	109-3198	Hood W/Decal	1
31	109-2858	Asm, Hood.....	1
32	109-1990-03	Screen, Hood.....	1
33	109-2004	Roller, Lock Lever.....	2
34	109-2114	Decal, Frontrunner.....	1
35	109-2355	Decal, Spring Loaded	2
36	109-2356	Decal, Motion Control	1
37	109-2357	Decal, Motion Cntl/Park Brake.....	1
38	109-2396	Decal, Pump Drive Release.....	1
39	302-19	Zerk, 1/4-28 Str.....	2
40	322-4	Screw, HH 5/16-18 x 7/8.....	8
41	323-11	Screw, HH 3/8-16 x 2 1/4.....	2
42	323-8	Screw, HH 3/8-16 x 1 1/2.....	2
43	325-18	Screw, HH 1/2-13 x 4 1/2.....	2
44	3256-23	Washer, 5/16 SAE.....	16
45	3256-24	Washer, 3/8 SAE.....	2
46	3256-26	Washer, 1/2 SAE.....	8
47	3256-27	Washer, 5/8 SAE.....	2
48	3269-10	Washer.....	6
49	3269-24	Rivet	10
50	3296-23	Nut, Nyloc 1/2-13.....	2
51	3296-29	Nut, Nyloc 5/16-18	8
52	3296-39	Nut, Nyloc 3/8-16.....	4
53	32120-19	E-Ring	2
54	32120-47	Ring, Retaining	4

Exmark red touch up paint (spray paint - P/N 1-850337 - .6 oz liquid bottle - P/N 103-9140).
 Exmark black touch up spray paint – Gloss black

REAR FRAME GROUP

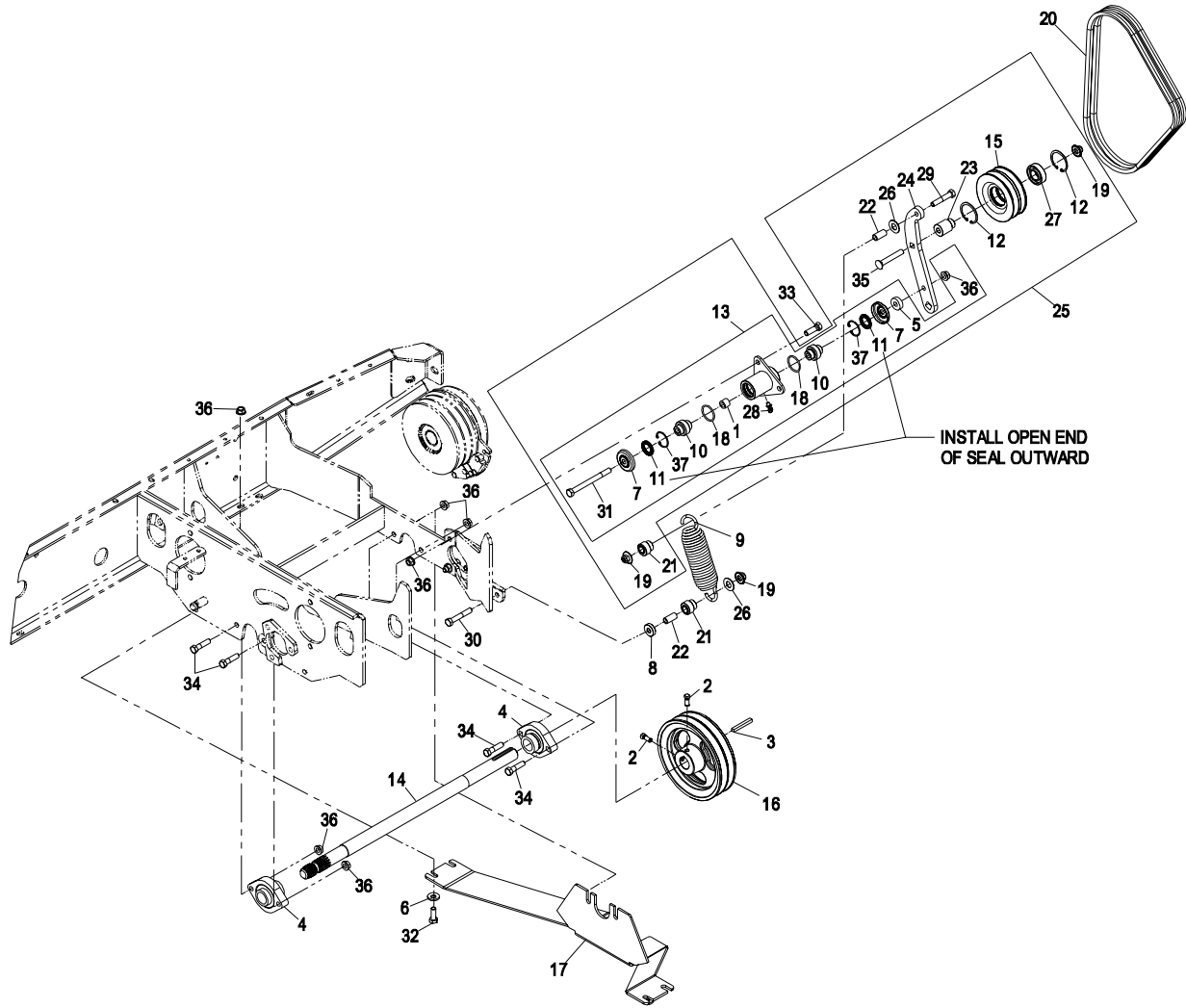


Item	Part No.	Description	Qty.
1	1-513746	Decal, Muffler.....	2
2	1-543508	Cup, Bearing Tapered Roller.....	4
3	1-543509	Cone, Bearing Tapered Roller.....	4
4	1-543511	Seal, Grease.....	2
5	1-633508	Washer, Spring Disc.....	6
6	1-633585	Bearing, Cone Tapered Roller.....	4
7	1-643188	Latch.....	2
8	1-811010	Plug.....	2
9	103-0063	Seal, Double Lip.....	4
10	103-2768	Guard, Seal.....	4
11	103-3051	Spacer, Nut.....	4
12	923786	Rivet.....	4
13	103-3799	Asm, Caster Wheel.....	2
14	103-4882	Cap, Grease.....	2
15	103-5156	Axle, Caster.....	2
16	103-6825	Bearing, Sleeve.....	2
17	103-7957-03	Wld, Dual Caster Tube.....	1
18	103-8347	Asm, Dual Rear Wheels.....	1
19	103-9045-03	Wld, Rear Frame Dual Wheel.....	1
20	103-9051	Bearing, Thrust.....	2

Item	Part No.	Description	Qty.
21	103-9789-03	Guard, Hose.....	1
22	103-9868-03	Wld, Caster Fork.....	2
23	103-9974	Washer.....	1
24	105-7699	Strip, Seal.....	2
25	109-2769	Asm, Rear Guard W/Decals.....	1
26	109-1312-03	Cover, Muffler.....	1
27	302-19	Zerk, 1/4-28 Str.....	1
28	322-3	Screw, HH 5/16-18 x 3/4.....	7
29	323-6	Screw, HH 3/8-16 x 1.....	4
30	325-39	Screw, HH 1/2-13 x 9 1/2.....	2
31	325-5	Screw, HH 1/2-13 x 1 1/4.....	6
32	327-24	Screw, HH 5/8-11 x 5 3/4.....	1
33	3256-23	Washer, 5/16 SAE.....	7
34	3256-4	Washer, 3/8 Std.....	2
35	3290-357	Nut, Whizlock 3/8-16.....	4
36	3296-23	Nut, Nyloc 1/2-13.....	2
37	3296-51	Nut, Nyloc 3/4-10.....	2
38	3296-53	Nut, Nyloc 5/8-11.....	1
39	32128-20	Nut, Whizlock 5/16-18.....	7
40	32128-49	Nut, Whizlock 1/2-13.....	6

Exmark black touch up spray paint – Gloss black

PTO DRIVE GROUP



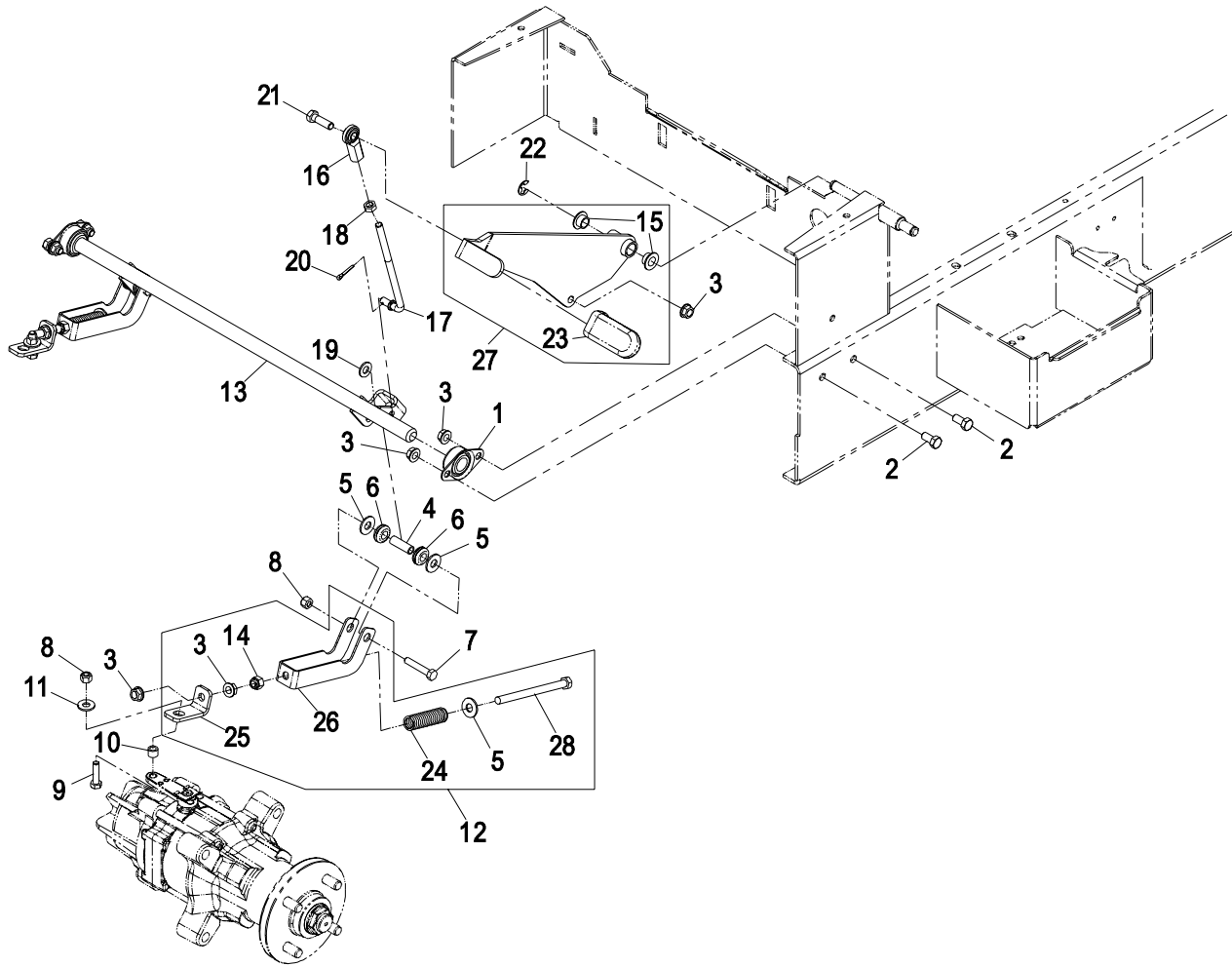
Item	Part No.	DESCRIPTION	Qty.
1	1-413088	Spacer	1
2▲	1-803050	Setscrew, 5/16-18 x 3/4	2
3	5-1336	Key, Machine 1/4 x 1/4 x 2	1
4	92-8799	Bearing, Flanged.....	2
5	94-4685	Spacer, Idler	1
6	98-5975	Washer, Spring Disc 3/8	4
7	103-2916	Guard, Top.....	2
8	103-3186	Spacer, Guide Bracket.....	1
9	103-3330	Spring, Extension.....	1
10	103-3504	Bearing, Spherical.....	2
11	103-3506	Seal, Single Lip.....	2
12	32151-13	Ring, Retaining	2
13	103-6409	Asm, Pump Idler	1
14	103-6779-03	Shaft, Line	1
15	103-6813	Pulley, Idler	1
16	103-6814	Sheave	1
17	103-8366-03	Guard, Linedrive	1
18	106-7159	O-Ring	2
19	109-6658	Nut, Nyloc 3/8-16 Flg	3

Item	Part No.	DESCRIPTION	Qty.
20	109-7588	Belts, Matched Pair	2
21	109-8752	Bushing, Plastic.....	2
22	109-8753	Spacer	2
23	109-8833	Spacer, Idler Bearing.....	1
24	109-8838	Arm, Idler.....	1
25	109-8876	Asm, Linedrive Idler.....	1
26	112-9771	Washer, Teflon	2
27	251-347	Bearing, Ball Deep Groove	1
28	302-40	Zerk, 90° 1/4-28.....	1
29	323-10	Screw, HH 3/8-16 x 2.....	1
30	323-11	Screw, HH 3/8-16 x 2 1/4.....	1
31	323-17	Screw, HH 3/8-16 x 4 1/4.....	1
32	323-6	Screw, HH 3/8-16 x 1.....	4
33	323-7	Screw, HH 3/8-16 x 1 1/4.....	3
34	323-8	Screw, HH 3/8-16 x 1 1/2.....	4
35	3231-31	Bolt, Carriage 3/8-16 x 2 1/2	1
36	3290-357	Nut, Whizlock 3/8-16	12
37	32120-10	Ring, Retaining	2

Exmark black touch up spray paint – Gloss black

▲ Use Pro-Lock, Nut Type (P/N 1-840022, .5ml tube) on setscrew, item #2.

PARK BRAKE GROUP

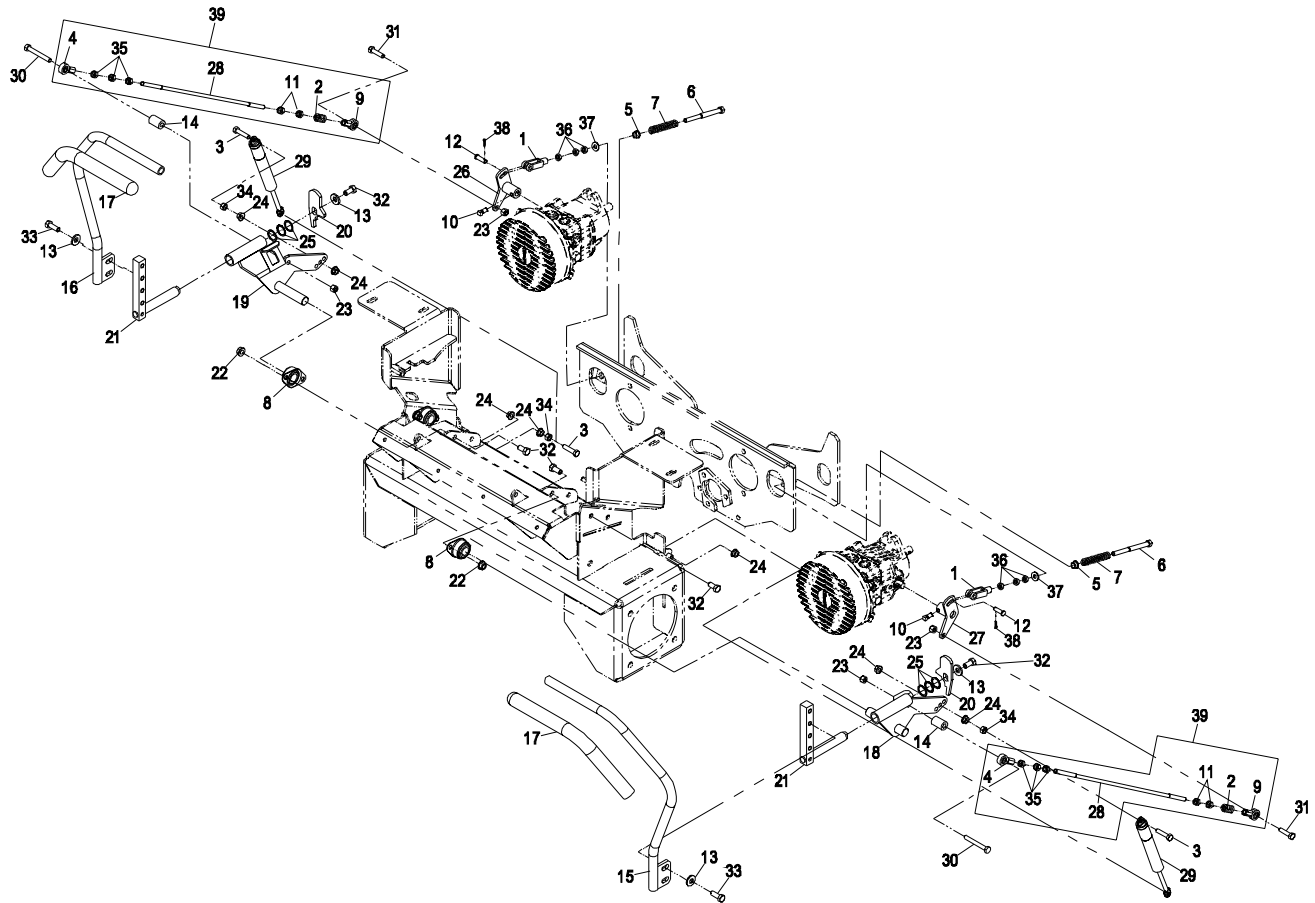


Item	Part No.	DESCRIPTION	Qty.
1	1-633102	Bearing, Flanged.....	2
2	323-4	Screw, HH 3/8-16 x 3/4.....	4
3	3290-357	Nut, Whizlock 3/8-16.....	9
4	109-0262	Spacer.....	2
5	3256-4	Washer, 3/8 Std.....	6
6	1-633630	Grommet.....	4
7	322-9	Screw, HH 5/16-18 x 1 3/4.....	2
8	3296-29	Nut, Nyloc 5/16-18.....	4
9	322-6	Screw, HH 5/16-18 x 1 1/4.....	2
10	103-0126	Bushing.....	2
11	3256-3	Washer, 5/16 Std.....	2
12	109-0132	Asm, Brake Linkage.....	2
13	103-8625-03	Wld, Brake Cross Shaft.....	1
14	3296-59	Nut, Nyloc 3/8-16 Thin.....	2

Item	Part No.	DESCRIPTION	Qty.
15	1-513140	Bearing.....	2
16	103-0608	Balljoint.....	1
17	103-4399	Rod, Linkage Brake.....	1
18	3219-3	Nut, Hex 3/8-24.....	1
19	3256-24	Washer, 3/8 SAE.....	1
20	3272-10	Pin, Cotter 1/8 x 3/4.....	1
21	323-7	Screw, HH 3/8-16 x 1 1/4.....	1
22	32120-47	Ring, Retaining.....	1
23	1-633268	Grip, Brake Lever.....	1
24	103-4388	Spring.....	2
25	109-0130	Link, Brake.....	2
26	109-0131	Clevis, Brake.....	2
27	109-1192	Asm, Brake Lever W/Grip & Bearings....	1
28	323-59	Screw, HH 3/8-16 x 5.....	2

Exmark black touch up spray paint – Gloss black

MOTION CONTROL GROUP



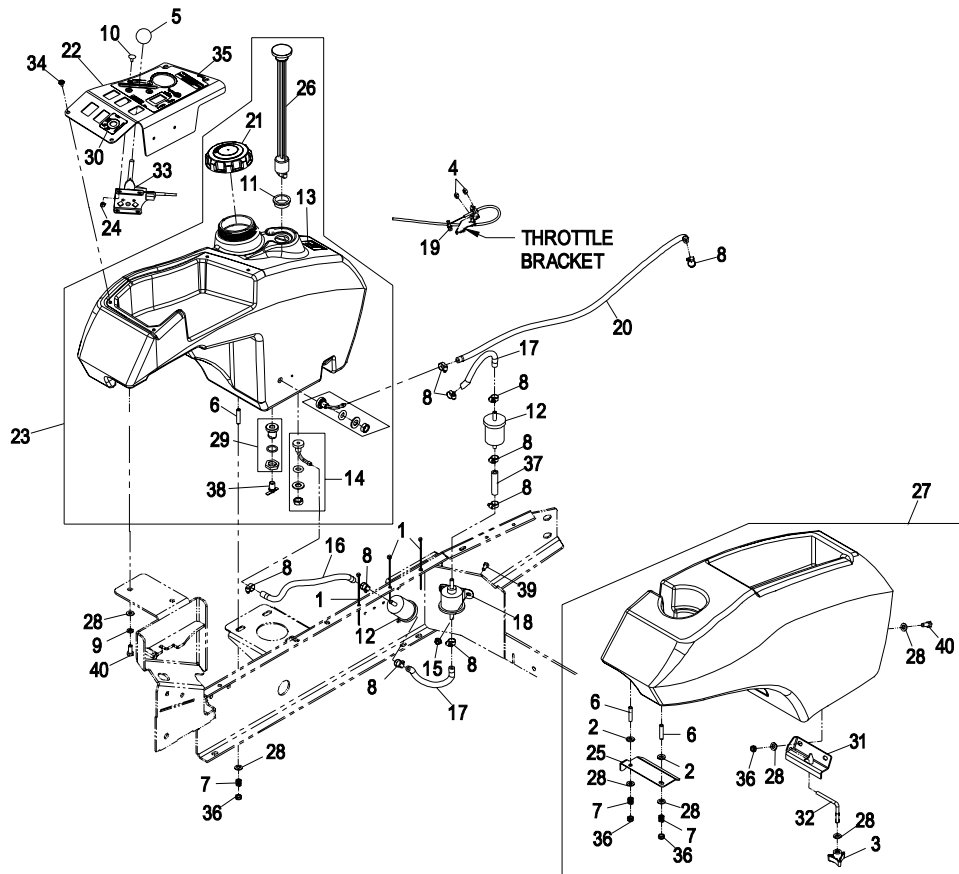
Item	Part No.	Description	Qty.
1	1-303105	Yoke, Adjustable.....	2
2	1-323245	Spring, Compression.....	2
3	1-403180	Screw, HH 5/16-18 x 1 1/4 Sp.....	4
4	1-543017	Balljoint.....	2
5	1-603735	Bushing, Flanged.....	2
6	1-603737	Bolt, Neutral Return.....	2
7	1-603807	Spring.....	2
8	1-633102	Bearing, Flanged.....	4
9	1-633152	Balljoint, LH.....	2
10▲	1-803022	Setscrew, 5/16-18 x 5/8.....	2
11	1-804524	Nut, Hex 5/16-24 (LH).....	4
12	1-808280	Pin, Clevis 5/16 x 1.....	2
13	98-5975	Washer, Spring Disc 3/8.....	6
14	103-1361	Spacer.....	2
15	103-3457	Asm, Handle W/Grip (LH).....	1
16	103-3458	Asm, Handle W/Grip (RH).....	1
17	103-3456	Grip, Control Lever.....	2
18	109-3623	Wld, Lever Control (LH).....	1
19	109-3622	Wld, Lever Control (RH).....	1
20	103-8262	Tab, Motion Cntrl.....	2

Item	Part No.	Description	Qty.
21	109-3618	Wld, Control Shaft.....	2
22	3290-357	Nut, Whizlock 3/8-16.....	8
23	3296-29	Nut, Nyloc 5/16-18.....	4
24	32128-20	Nut, Whizlock 5/16-18.....	8
25	106-5335	Washer, Wave.....	6
26	103-8286-03	Wld, Pump Ctrl (RH).....	1
27	103-8285-03	Wld, Pump Ctrl (LH).....	1
28	103-8300	Link, Tracking Rod.....	2
29	109-2339	Damper, Motion Control.....	2
30	322-12	Screw, HH 5/16-18 x 2 1/2.....	2
31	322-6	Screw, HH 5/16-18 x 1 1/4.....	2
32	323-4	Screw, HH 3/8-16 x 3/4.....	10
33	323-6	Screw, HH 3/8-16 x 1.....	4
34	3217-6	Nut, Hex 5/16-18.....	4
35	3219-2	Nut, Hex 5/16-24.....	6
36	3220-2	Nut, Jam 5/16-24.....	6
37	3256-2	Washer, 1/4 Std.....	2
38	3272-5	Pin, Cotter 3/32 x 1/2.....	2
39	109-2582	Asm, Tracking Rod.....	2

Exmark black touch up spray paint – Gloss black.

▲ Use Pro-Lock, Nut Type (P/N 1-840022, .5ml tube) on screw, item #10 & screw, item #32 going into control shaft weldment item #21.

FUEL GROUP



Item	Part No.	Description	Qty.
1	1-303287	Tie, Cable 5 1/2 (Small)	3
2	1-303334	Washer, Spring Disc 5/16	2
3	1-323385	Knob, 3 Prong	1
4	3220-1	Nut, Jam 1/4-28	2
5	1-603175	Knob, Ball	1
6■	1-633023	Stud, Fuel Tank	4
7	1-633349	Spring, Compression	4
8	2412-108	Clamp, Hose	10
9	1-805005	Washer, Lock 5/16 Heavy	2
10	1-807513	Bolt, Carriage #10-24 x 1/2	2
11	95-8972	Grommet.....	1
12	98-7612	Filter, Fuel.....	2
13	103-1636	Decal, Diesel Only	1
14▲	109-6627	Fitting, Fuel Bulkhead	2
	103-2784	O-Ring	1
15	32128-33	Nut, Whizlock 1/4-20.....	2
16	110-8752	Hose, Fuel Line 14".....	1
17	110-4111	Hose, Fuel Line 7 1/2".....	2
18	107-0122	Pump, Fuel	1
19	108-5928	Swivel, Cable Stop.....	1
20	109-0284	Hose, Fuel Line 29".....	1

Item	Part No.	Description	Qty.
21	109-0347	Cap, Fuel (Diesel).....	1
22	109-2776	Asm, Console W/Decals.....	1
23	109-4478	Asm, Fuel Tank	1
24	3296-2	Nut, Nyloc #10-24	2
25	109-1202	Hook, Fender.....	1
26	109-1213	Gauge, Fuel.....	1
27	109-1226	Asm, Fender.....	1
28	3256-23	Washer, 5/16 SAE	11
29	109-4482	Asm, Fitting 1/4" Npt.....	1
	109-4483	O-Ring	1
30	109-2358	Decal, Ignition.....	1
31	109-2572	Bracket, Fender.....	1
32	109-2652	Bolt, Fender.....	1
33	109-2660	Cable, Throttle	1
34◆	109-2661	Screw, PPH #10-24 x 1/2.....	4
35	109-2698	Decal, Console	1
36	3296-47	Nut, Nyloc 5/16-18 Thin	6
37	110-0047	Hose, Fuel Line 2 3/8"	1
38	304-46	Valve, Draincock 1/4.....	1
39	321-3	Screw, HH 1/4-20 x 5/8.....	2
40	322-3	Screw, HH 5/16-18 x 3/4.....	4

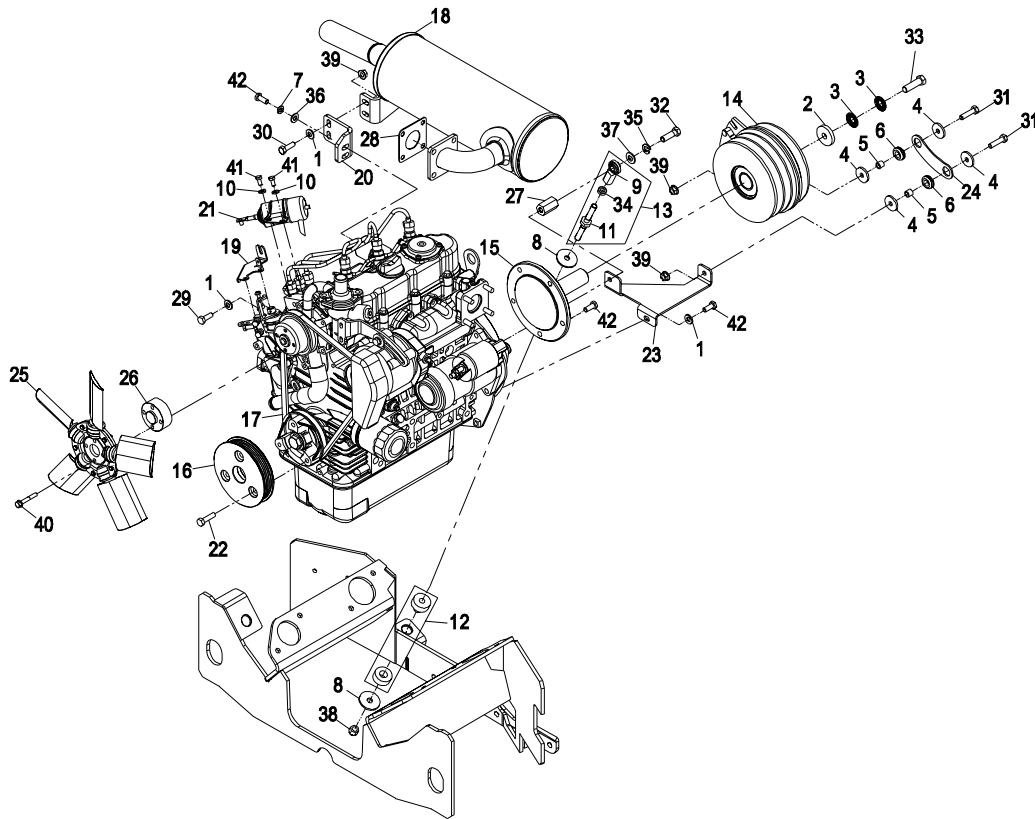
Exmark black touch up spray paint – Gloss black

■ Use Pro-Lock, Retaining Type (P/N 1-840023, .5ml tube) on stud threads, item #6 going into the tank.

▲ Use Pro-Lock, Nut Type (P/N 1-840022, .5ml tube) on fuel fitting, item #14.

◆ Snug fit only on slotted holes, **Do Not Overtighten**, tank must be able to expand.

ENGINE GROUP



Item	Part No.	Description	Qty.
1	1-303334	Washer, Spring Disc 5/16	4
2	1-543610	Washer	1
3	1-603610	Washer, Spring Disc 7/16	2
4	1-613235	Washer	4
5	1-633545	Spacer	2
6	1-633630	Grommet.....	2
7	1-805005	Washer, Lock 5/16 Heavy	2
8	93-6099	Washer	2
9	103-0608	Balljoint.....	1
10	1-805004	Washer, Lock 1/4 Heavy	2
11	103-3567	Link, Rear A-T Axial	1
12	103-3568	Isolator, A-T	1
13	103-3745	Asm, RR A-T	1
14	109-6627	Kit, Clutch	1
15	103-6773	Shaft, Flywheel	1
16	103-6774	Sheave	1
17	109-2901	Belt	1
18◆	109-2855	Kit, Muffler	1
19	108-5922	Bracket, Throttle Support	1
20	109-0787-03	Bracket, Muffler Mounting	1
21	109-1211	Solenoid, Fuel.....	1
22▲	33114-030	Screw, HH M8-1.25 x 30mm	3

Item	Part No.	Description	Qty.
23	109-2361-03	Bracket, Clutch Anchor	1
24	109-2362	Link, Clutch.....	1
25	109-2587	Fan	1
26	109-2675	Spacer, Fan	1
27	109-2763	Spacer, A-T	1
28	109-2783	Gasket, Exhaust	1
29	322-4	Screw, HH 5/16-18 x 7/8.....	1
30	322-5	Screw, HH 5/16-18 x 1.....	2
31	322-6	Screw, HH 5/16-18 x 1 1/4.....	2
32	323-7	Screw, HH 3/8-16 x 1 1/4.....	1
33▲	3212-6	Screw, HH 7/16-20 x 1 1/2.....	1
34	3220-3	Nut, Jam 3/8-24.....	1
35	3253-5	Washer, Lock 3/8 Heavy.....	1
36	3256-23	Washer, 5/16 SAE	2
37	3256-24	Washer, 3/8 SAE.....	1
38	3296-6	Nut, Nyloc 3/8-24.....	1
39	32128-20	Nut, Whizlock 5/16-18	4
40▲	33103-040	Screw, HH FLG M6-1 x 40mm.....	4
41	33113-012	Screw, HH M6-1 x 12mm.....	2
42▲	33114-020	Screw, HH M8-1.25 x 20mm.....	8
43	103-9891	Spacer.....	1

Exmark black touch up spray paint – gloss black.

▲ Use Pro-Lock, Nut Type (P/N 1-840022, .5ml tube) on screws, item #22, #33, #40 & #42

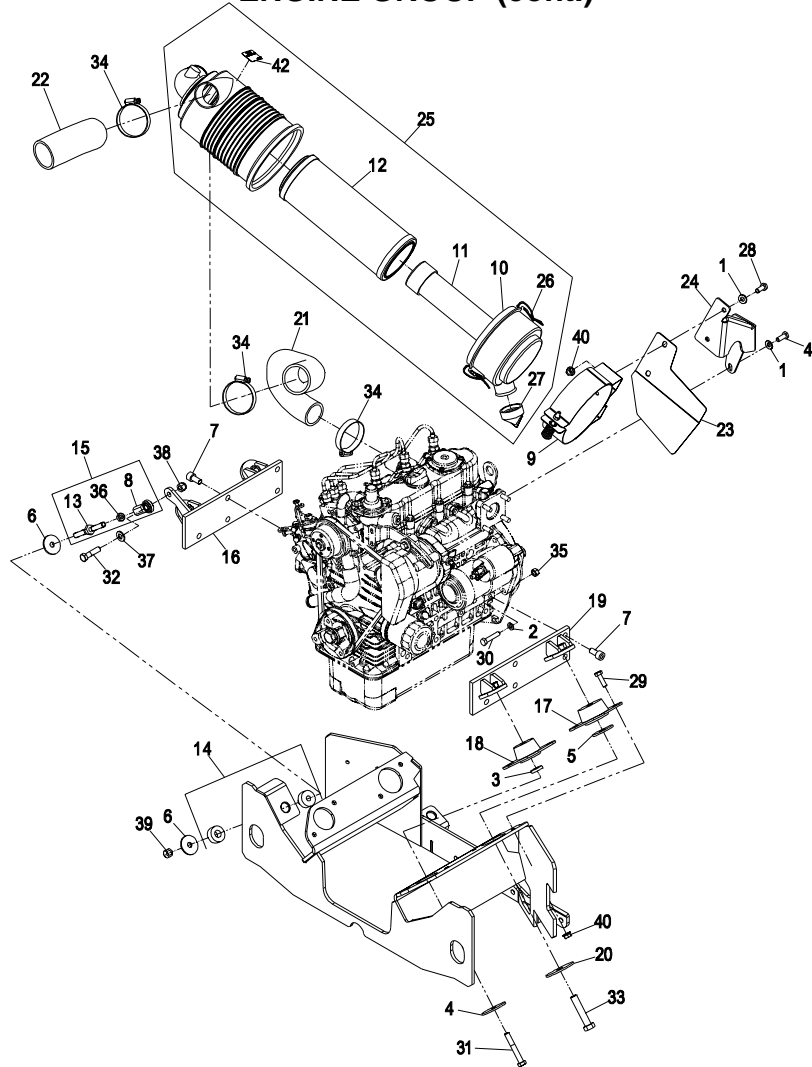
◆ Includes item #28.

Kubota Replacement Parts List

(Refer to Engine Owner's Manual)

<u>Description</u>	<u>Kubota Part No.</u>
Engine Oil Filter.....	15853-3243

ENGINE GROUP (cont.)



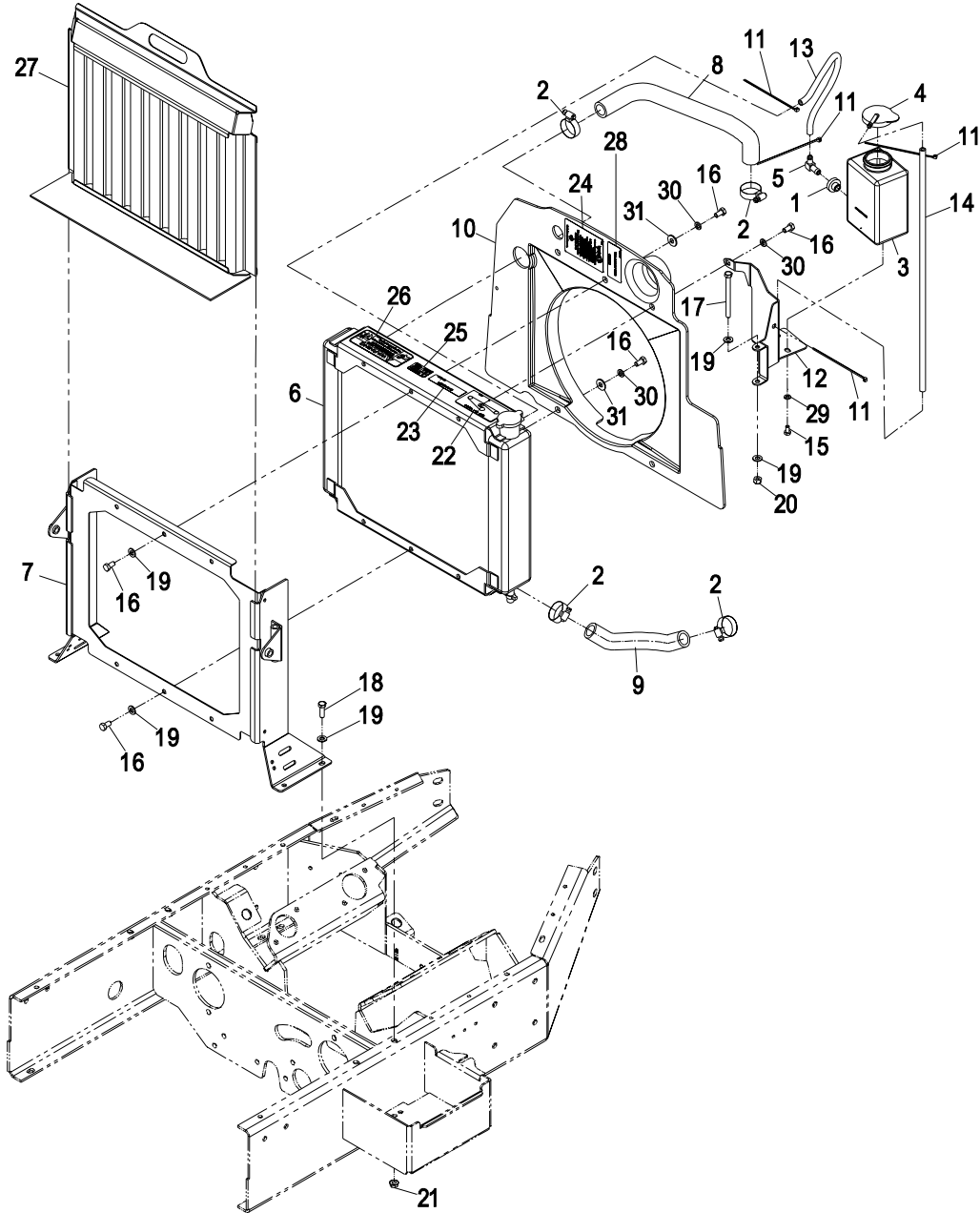
Item	Part No.	Description	Qty.
1	1-303334	Washer, Spring Disc 5/16	3
2	1-805005	Washer, Lock 5/16 Heavy	1
3	66-6480	Washer	2
4	83-1040	Washer	2
5	86-1990	Washer	2
6	93-6099	Washer	2
7▲	98-9322	Screw, SH M10-1.25 x 20mm	10
8	103-0608	Balljoint	1
9	103-1058	Bracket, Air Filter	1
10	103-1060	Cover, Air Filter W/Latch	1
11	103-1326	Filter, Safety Air	1
12	103-1327	Filter, Air	1
13	103-3567	Link, Rear A-T Axial	1
14	103-3568	Isolator, A-T	1
15	103-3745	Asm, RR A-T	1
16	103-6743-03	Wld, Engine Bracket (RH)	1
17	103-1022	Isolator, Rear	2
18	103-2613	Isolator, Side	2
19	103-6824-03	Wld, Engine Bracket (LH)	1
20	109-1245	Washer	2
21	109-1832	Hose, Air Cleaner	1

Item	Part No.	Description	Qty.
22	109-1977	Hose, Air Intake	1
23	109-2003-03	Shield, Air Cleaner	1
24	109-2019-03	Wld, Bracket Air Cleaner	1
25	109-3539	Asm, Air Cleaner	1
26	99-3174	Latch, Nelson Air Cleaner	2
27	109-2820	Ejector	1
28	322-4	Screw, HH 5/16-18 x 7/8	2
29	322-5	Screw, HH 5/16-18 x 1	8
30	322-7	Screw, HH 5/16-18 x 1 1/2	1
31▲	323-12	Screw, HH 3/8-16 x 2 1/2	2
32	323-8	Screw, HH 3/8-16 x 1 1/2	1
33▲	325-10	Screw, HH 1/2-13 x 2 1/2	2
34	2412-42	Clamp, Hose	3
35	3217-6	Nut, Hex 5/16-18	1
36	3220-3	Nut, Jam 3/8-24	1
37	3256-24	Washer, 3/8 SAE	1
38	3296-39	Nut, Nyloc 3/8-16	1
39	3296-6	Nut, Nyloc 3/8-24	1
40	32128-20	Nut, Whizlock 5/16-18	10
41▲	33114-020	Screw, HH M8-1.25 x 20mm	1
42	110-0806	Decal, No Starting Fluid	1

Exmark black touch up spray paint – gloss black.

▲ Use Pro-Lock, Nut Type (P/N 1-840022, .5ml tube) on screws, item #7, #31, #33 & #41

COOLING GROUP

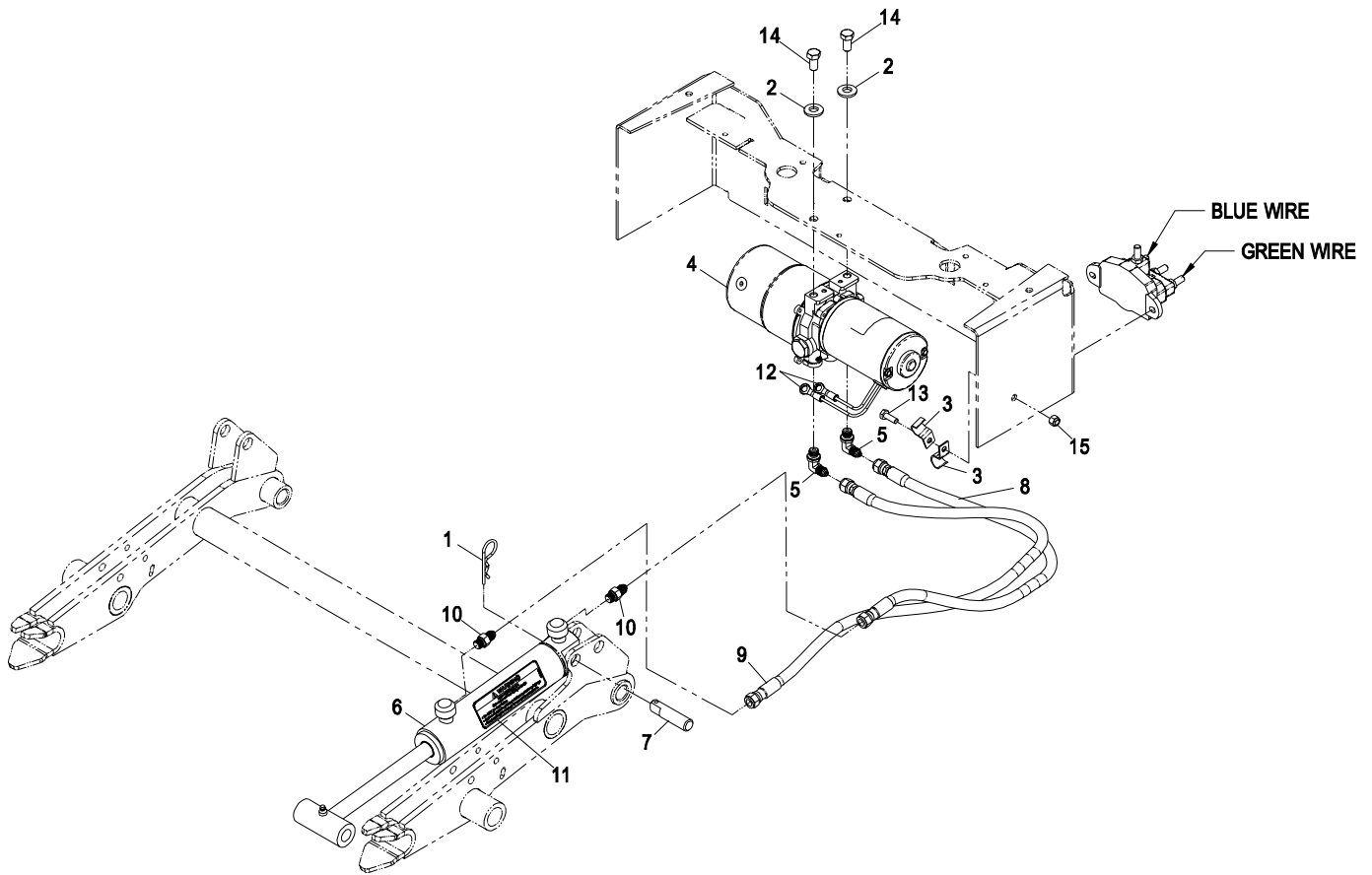


Item	Part No.	Description	Qty.
1	1-513645	Bushing, Fuel Valve	1
2	1-633989	Clamp	4
3	1-643163	Tank, Overflow	1
4	1-643164	Cap, Overflow Tank	1
5	1-643259	Fitting, Elbow	1
6	109-2768	Asm, Radiator W/Decals	1
	1-643161	Cap, Radiator	1
7	103-8332-03	Wld, Radiator Support	1
8	103-8824	Hose, Upper Radiator	1
9	103-8825	Hose, Lower Radiator	1
10	109-3497	Asm, Shroud W/Decals	1
11	1-303287	Tie, Cable 5 1/2 (Small)	4
12	109-2209-03	Bracket, Overflow Bottle	1
13	109-2221	Hose, .31 ID x 14"	1
14	109-2669	Hose, .25 ID x 22"	1
15	321-2	Screw, HH 1/4-20 x 1/2	2

Item	Part No.	Description	Qty.
16	322-2	Screw, HH 5/16-18 x 5/8	11
17	322-23	Screw, HH 5/16-18 x 3 3/4	1
18	322-5	Screw, HH 5/16-18 x 1	4
19	3256-23	Washer, 5/16 SAE	12
20	3296-29	Nut, Nyloc 5/16-18	1
21	32128-20	Nut, Whizlock 5/16-18	4
22	1-643339	Decal, Belt Routing	1
23	98-5954	Decal, Danger	1
24	103-0223	Decal, Shell Coolant	1
25	103-2076	Decal, Caution	1
26	103-5881	Decal, Guard	1
27	109-3147	Asm, Radiator Screen	1
28	110-3842	Decal, Antifreeze	1
29	3253-3	Washer, Lock 1/4	2
30	3253-4	Washer, Lock 5/16	5
31	3256-3	Washer, 5/16 Std	4

Exmark black touch up spray paint – gloss black.

AUXILIARY HYDRAULIC GROUP



Item	Part No.	Description	Qty.
1	1-806005	Hairpin, Cotter.....	1
2	98-5975	Washer, Spring Disc 3/8	2
3	103-1193	Clip, Loom Half	2
4◆	109-2853	Asm, Hydraulic Power Unit	1
5	109-0760	Adapter, 90°.....	2
	109-1284	O-ring (37° Flare #4)	1
	1-603923	O-ring (SAE #4)	1
6	109-2812	Asm, Cylinder W/Decal.....	1
	109-2856	Kit, Hyd Cylinder Seal	1
7	109-1180	Pin, Cylinder Mount.....	1

◆ Includes item #12.

Item	Part No.	Description	Qty.
8	109-2015	Hose, Hydraulic	1
9	109-2016	Hose, Hydraulic	1
10	109-2017	Adapter, Straight.....	2
	109-1284	O-ring (37° Flare #4)	1
	1-603923	O-ring (SAE #4)	1
11	109-2377	Decal , High Pressure Oil	1
12	109-2663	Terminal, Ring 5/16	2
13	321-4	Screw, HH 1/4-20 x 3/4.....	1
14	323-4	Screw, HH 3/8-16 x 3/4.....	2
15	3296-42	Nut, Nyloc 1/4-20.....	1

HYDRAULIC GROUP

Item	Part No.	Description	Qty.
1	1-413088	Spacer	1
2	1-603990	Adapter, Straight	11
	1-603992	O-Ring (37° Flare #8)	1
	1-603920	O-Ring (SAE #8)	1
3	109-4076	Sheave, Idler	1
4	1-805004	Washer, Lock 1/4 Heavy	2
5	103-2739	Key, 5mm x 5mm x 32mm	2
6▲	30-1710	Setscrew, 5/16-18 x 1	4
7	98-5975	Washer, Spring Disc 3/8	1
8	103-1828	Adapter, Running Tee	3
	1-603921	O-Ring (SAE #6)	1
9	109-0582	Asm, Hydraulic Reservoir W/Decal	1
10	103-7615	Asm, Cap W/Gasket	1
11	103-1949	Gasket, Reservoir Cap	1
12	103-1988	Clamp, Hose 11/16	6
13	103-2146	Element Hydraulic Oil Filter	1
14	103-2155	Adapter, 90°	2
15	32128-43	Nut, Whizlock 3/8-16	4
16	103-2259	Head, Filter	1
17	103-2916	Guard, Top	2
18	103-3330	Spring, Extension	1
19	103-3504	Bearing, Spherical	2
20	103-3506	Seal, Single Lip	2
21	103-6409	Kit, Pump Idler	1
22	1-303287	Tie, Cable 5 1/2 (Small)	1
23	103-8011	Spacer, Spring	1
24+	103-8357	Pump, Hydro W/Fan (LH)	1
25+	103-8358	Pump, Hydro W/Fan (RH)	1
26	106-7159	O-Ring	2
27	109-0633-03	Arm, Idler	1
28	109-0816	Belt	1

Item	Part No.	Description	Qty.
29	109-0899	Hose, Hydraulic	1
30	109-0900	Hose, Hydraulic	1
31	109-0901	Hose, Hydraulic	1
32	109-0902	Hose, Hydraulic	1
33	109-1008	Hose, Case Drain	2
34	109-1009	Hose, Hydraulic	1
35	109-1010	Hose, Hydraulic	1
36●	103-9519	Motor, Wheel (RH)	1
37●	103-9520	Motor, Wheel (LH)	1
38	103-2153	Adapter, 90°	2
	103-1020	O-Ring (37° Flare #6)	1
	1-603920	O-Ring (SAE #8)	1
39	109-2202	Sheave	2
40	109-4644	Hose, Hydraulic	1
41	109-4645	Hose, Hydraulic	1
42	302-40	Zerk, 90° 1/4-28	1
43	321-3	Screw, HH 1/4-20 x 5/8	2
44	321-6	Screw, HH 1/4-20 x 1	2
45	323-16	Screw, HH 3/8-16 x 4	1
46	323-7	Screw, HH 3/8-16 x 1 1/4	7
47	325-10	Screw, HH 1/2-13 x 2 1/2	8
48	3231-10	Bolt, Carriage 3/8-16 x 3	1
49	3231-6	Bolt, Carriage 3/8-16 x 2	1
50	3256-22	Washer, 1/4 SAE	2
51	3256-26	Washer, 1/2 SAE	8
52	3256-4	Washer, 3/8 Std. <small>As Req'd.</small>	
53	3290-357	Nut, Whizlock 3/8-16	6
54	32120-10	Ring, Retaining	2
55	32128-33	Nut, Whizlock 1/4-20	2
56	32128-49	Nut, Whizlock 1/2-13	8
57	1-523552	Decal, Hydraulic Tank	1

Exmark black touch up spray paint – gloss black.

▲ Use Prolock, Nut Type (P/N 1-840022, .5ml tube) on setscrews, items #6.

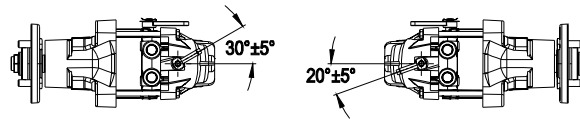
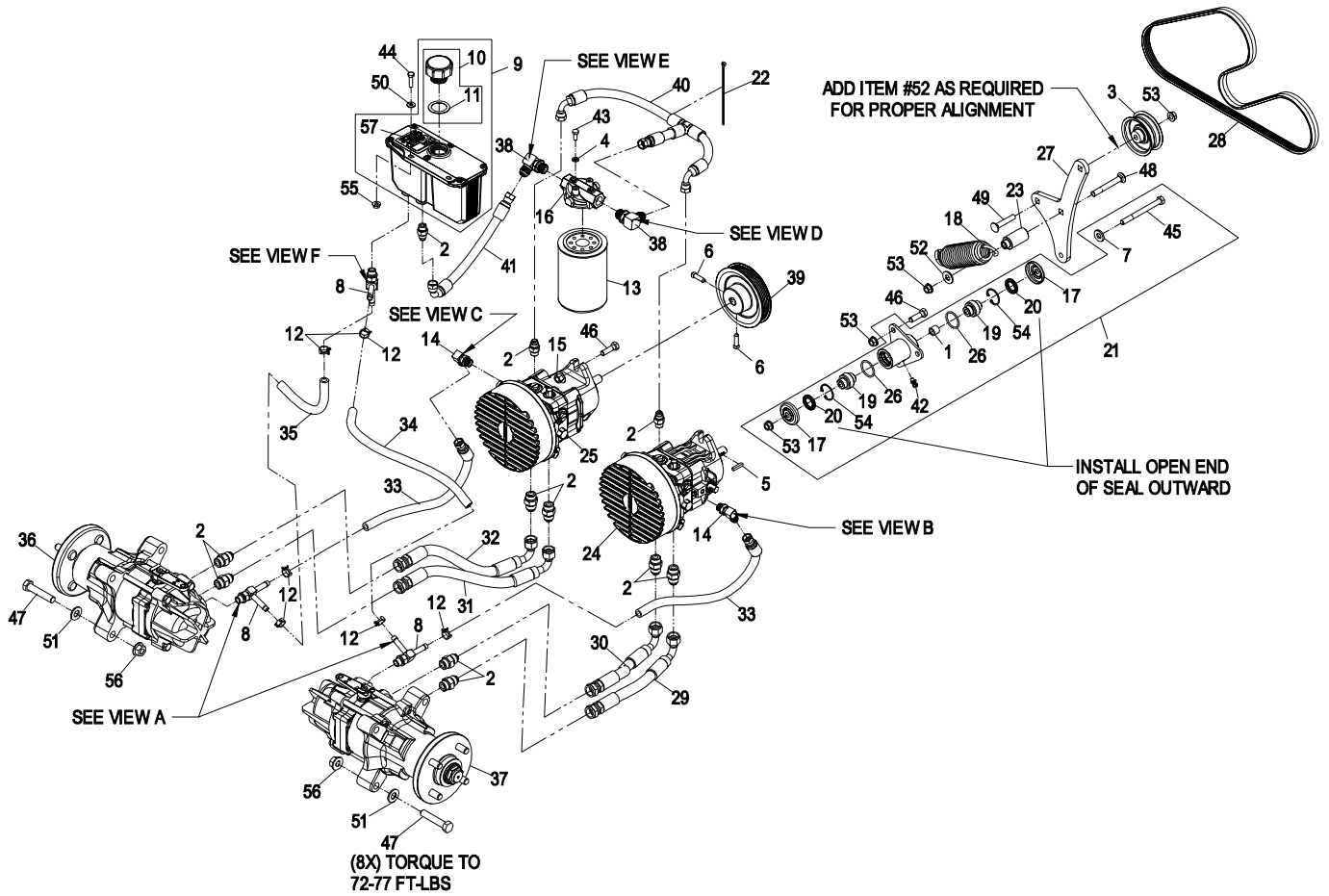
● Wheel Motor Service Kits		
Part No.	Description	Qty.
103-9762	Kit, Seal	1
103-9763	Handle, Actuating	1
103-9764	Clip, Retaining	1

● Wheel Motor Service Kits		
Part No.	Description	Qty.
103-9765	Nut, Hex Toplock 1-20UNEF-2B	1
103-4242	Asm, Wheel Hub W/Studs	1
103-7447	Stud, Wheel 1/2-20 x 1/2	4

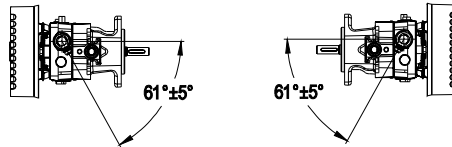
+ Hydro Pump Service Kits		
Part No.	Description	Qty.
109-2863	Bearing, Input Shaft PR	1
109-2864	Kit, Cylinder Block 12CC PR	1
109-2865	Bearing, Thrust PR	1
109-2866	Kit, Overhaul Seal PR	1

+ Hydro Pump Service Kits		
Part No.	Description	Qty.
109-2867	Plate, Valve PR	1
103-7488	Fan, Pump Cooling	1
103-7489	Guard, Pump Fan	1

HYDRAULIC GROUP

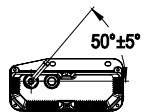
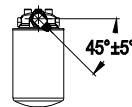
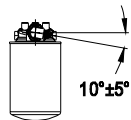


**VIEW A
(FROM BACK)**

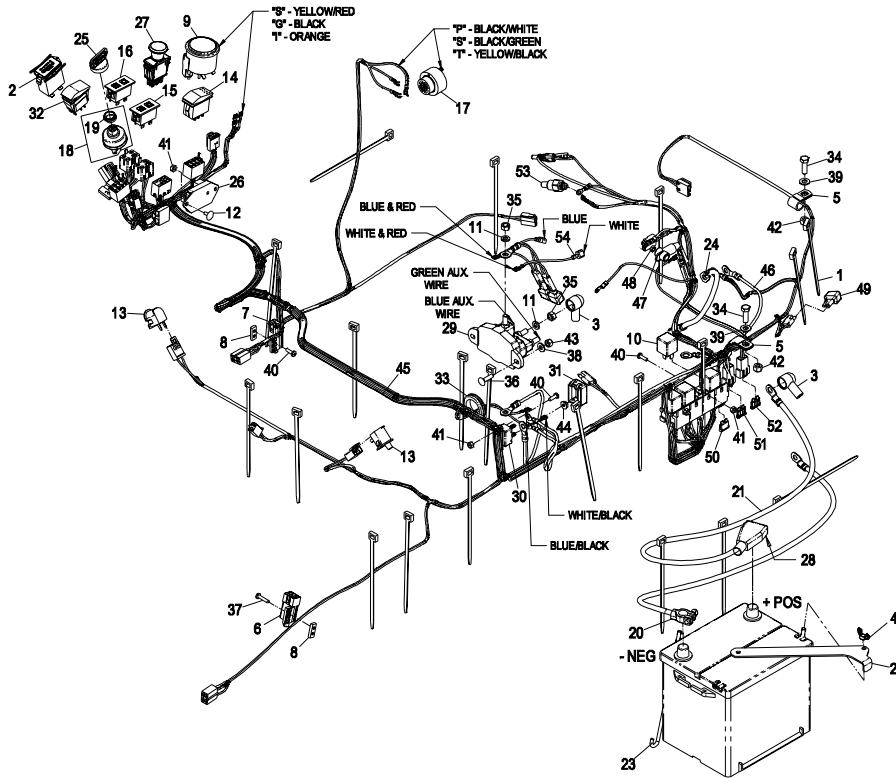


**VIEW B
(FROM LEFTSIDE
OF LEFT PUMP)**

**VIEW C
(FROM RIGHTSIDE
OF RIGHT PUMP)**



ELECTRICAL GROUP



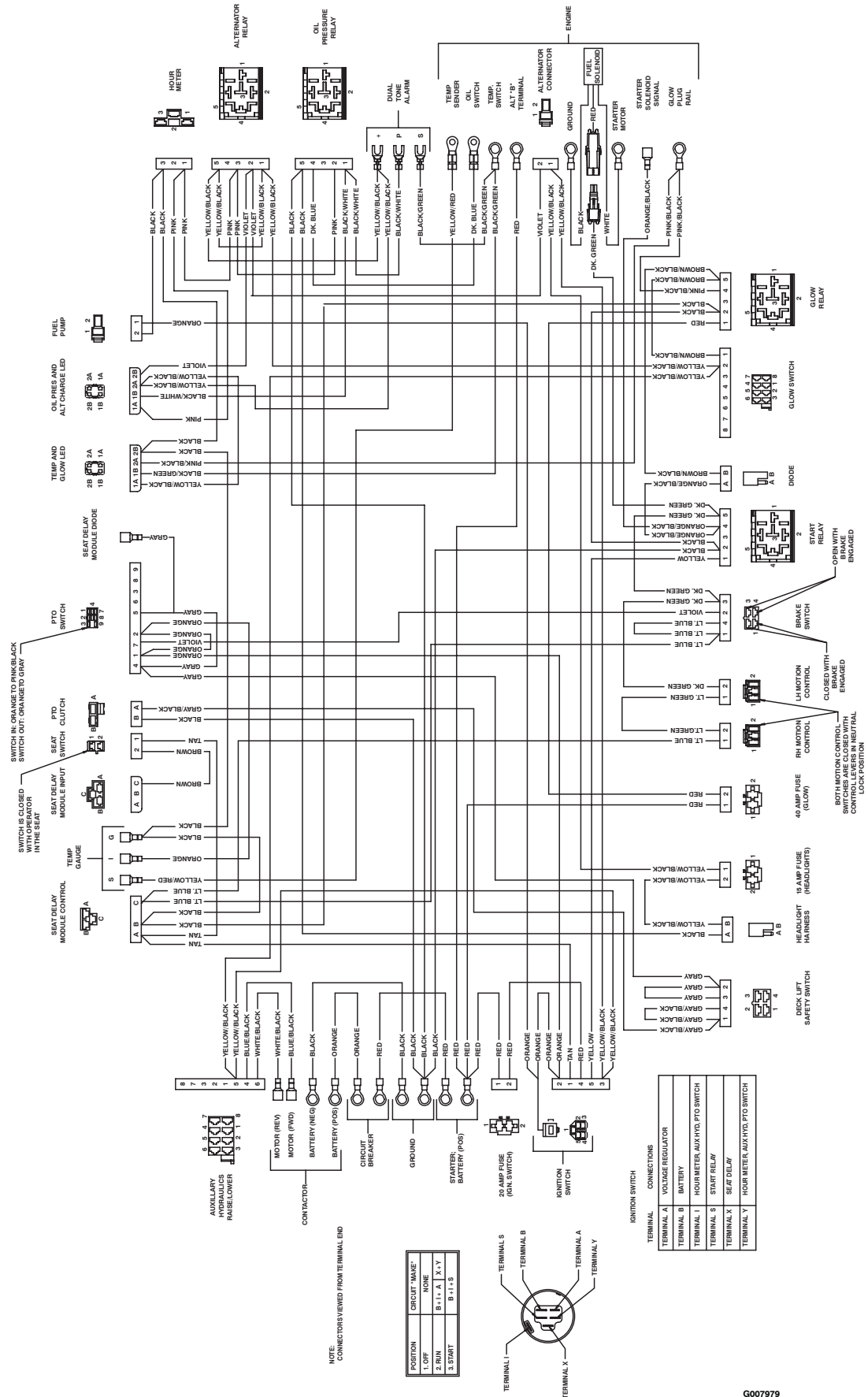
Item	Part No.	Description	Qty.
1	1-303335	Tie, Cable 7 15/16 (Large)	20
2	1-513374	Meter, Engine Hours	1
3	1-543393	Insulator, Solenoid	2
4	1-543792	Wingnut, Nyloc 1/4-20.....	2
5	1-603727	Clip, Loom	2
6	1-633110	Switch	1
7	1-633111	Switch	1
8	1-633181	Plate, Tapped	2
9	1-643021	Gauge, Temperature.....	1
10	1-643275	Relay, 12VDC 40 Amp.....	4
11	1-805005	Washer, Lock 5/16 Heavy.....	4
12	1-807513	Bolt, Carriage #10-24 x 1/2	2
13	82-2190	Switch	2
14	109-4813	Switch	1
15	100-8070	Cluster, Lights.....	1
16	100-8071	Cluster, Lights.....	1
17	103-0205	Alarm, Dual Tone 12VDC.....	1
18	109-4736	Asm, Switch W/Nut.....	1
19	103-0498	Nut, Ignition.....	1
20	103-1159	Cable, Ground (-).....	1
21	109-7607	Cable, Battery (+).....	1
22	109-1898-03	Strap, Battery.....	1
23	103-1312	Bolt, Hold Down	2
24	103-1349	Cable, Engine Ground.....	1
25	103-2106	Key, Exmark Logo.....	1
26	103-5218	Module, Seat Delay.....	1
27	103-5221	Switch, PTO.....	1

Item	Part No.	Description	Qty.
28	103-1340	Insulator, Battery	1
29	109-0742	Contactora, Reversing Polarity	1
30	109-2398	Breaker, Circuit 40A.....	1
31	109-2571	Cover, Circuit Breaker	1
32	110-0811	Switch.....	1
33	240-3	Grommet	1
34	322-5	Screw, HH 5/16-18 x 1	2
35	3219-2	Nut, Hex 5/16-24.....	4
36	3229-2	Bolt, Carriage 1/4-20 x 1	2
37	3250-27	Screw, PPH #10-24 x 7/8.....	2
38	3256-22	Washer, 1/4 SAE.....	2
39	3256-23	Washer, 5/16 SAE	2
40	3290-500	Screw, PPH #10-24 x 5/8.....	6
41	3296-2	Nut, Nyloc #10-24	6
42	3296-29	Nut, Nyloc 5/16-18	2
43	3296-42	Nut, Nyloc 1/4-20	2
44	32149-8	Nut-Keps 10-32 Unf YZ	2
45	109-1212	Harness, Wiring.....	1
46	109-2589	Harness, Auxiliary Hydraulics	1
47	1-643178	Cap, Insulator	1
48	33013-00	Nut, Whizlock M8-1.25.....	1
49	100-4918	Diode.....	3
50	109355	Fuse, 15A	1
51	1-816001	Fuse, 20 Amp	1
52	103-1368	Fuse, 40 Amp	1
53	103-7886	Sender, Temperature.....	1
54	109-4433	Harness, Diode.....	1

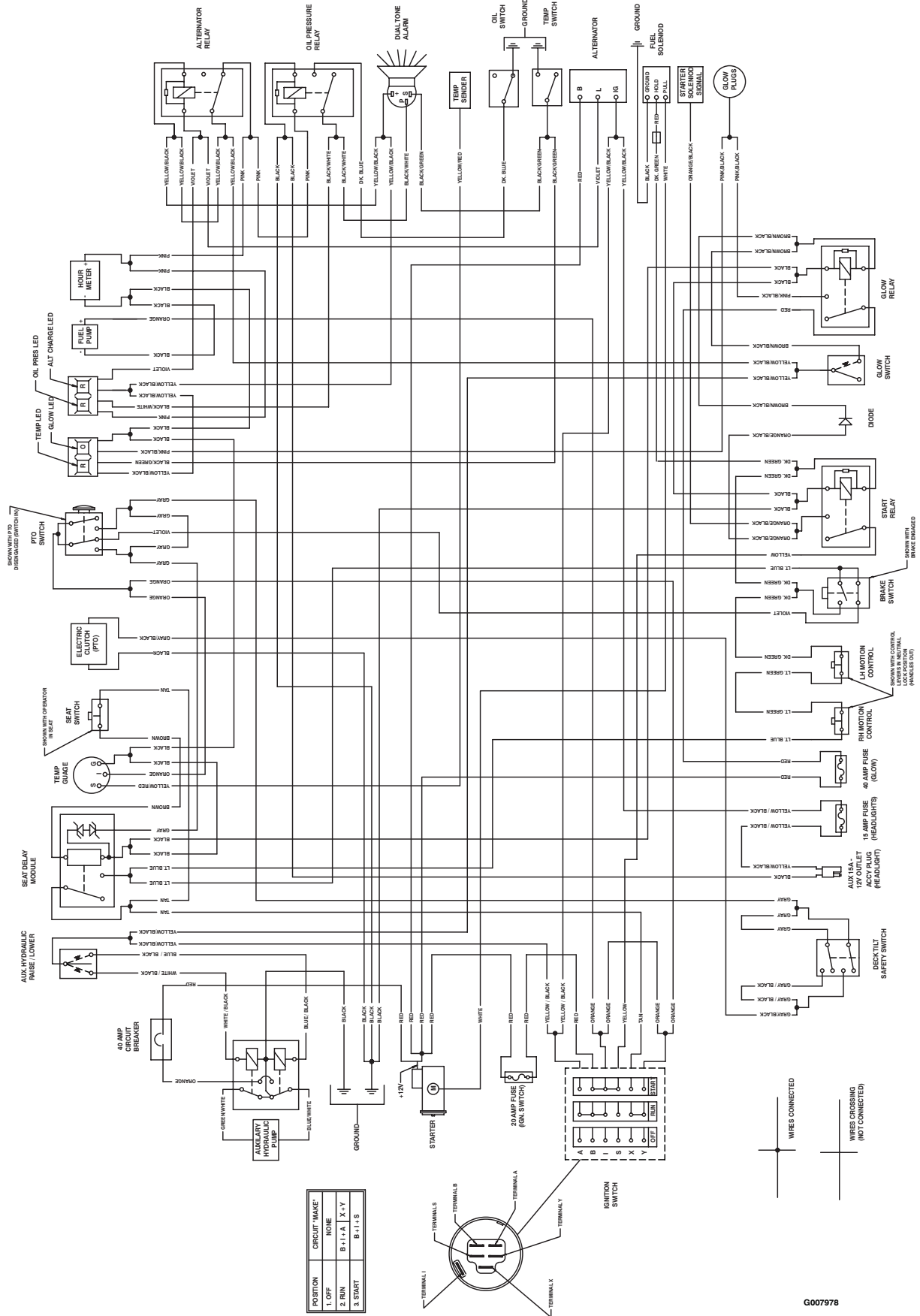
Exmark black touch up spray paint – gloss black.

- ◆ Use dielectric grease on all wiring harness connectors.
- Use Teflon Pipe sealant on Pipe threads on temperature sending unit
- Includes items 3 and 28.

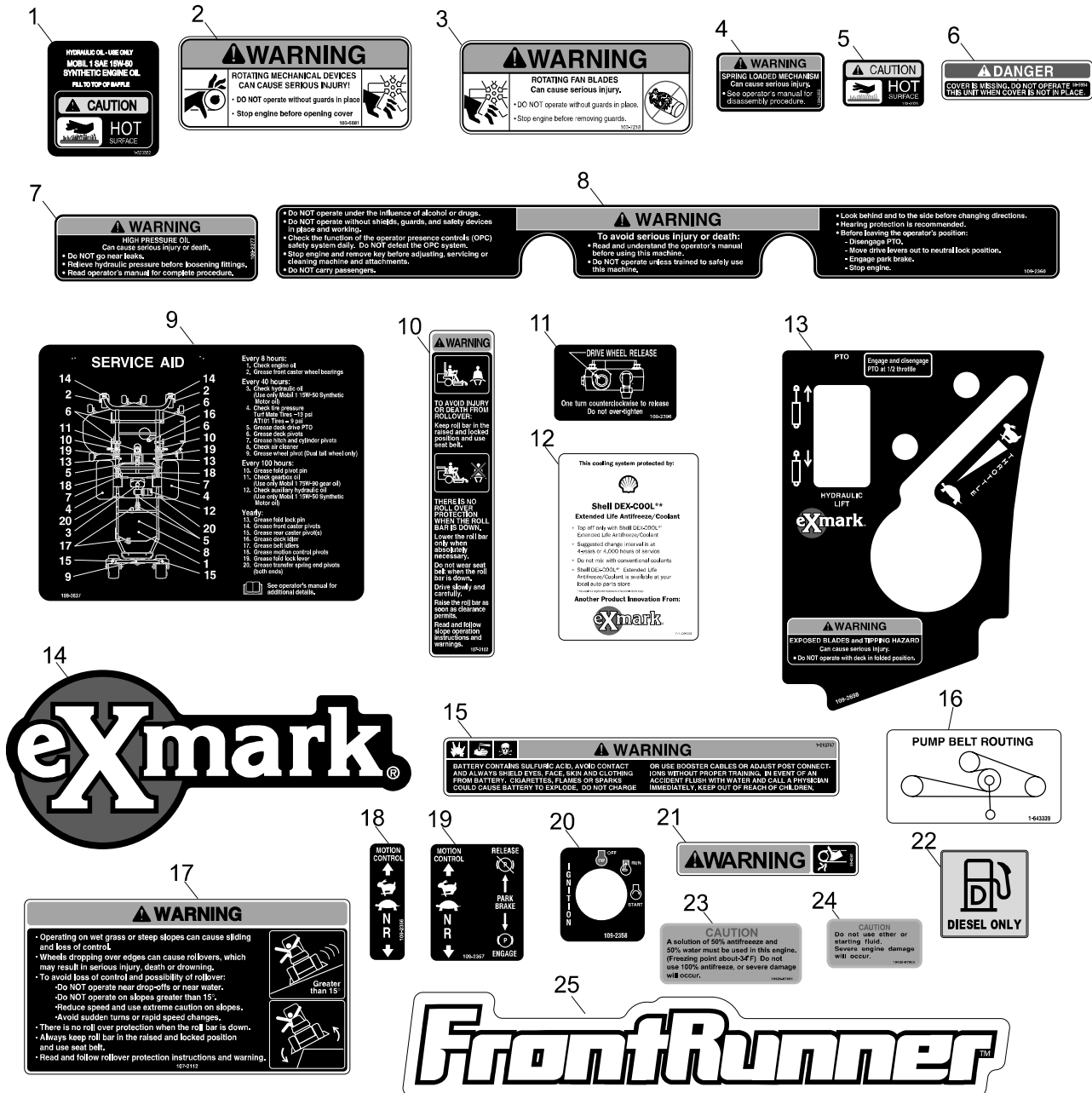
ELECTRICAL DIAGRAM



ELECTRICAL LOGIC SCHEMATIC



DECALS GROUP



Item	Part No.	Description	Qty.
1	1-523552	Decal, Hydraulic Tank	1
2	103-5881	Decal, Rotating Devices	1
3	103-7218	Decal, Pump Fan Warning	1
4	109-2355	Decal, Spring Loaded	2
5	103-2076	Decal, Caution Hot Surface	3
6	98-5954	Decal, Missing Cover	1
7	109-2377	Decal, High Pressure Oil	1
8	109-2360	Decal, Top Console	1
9	109-3637	Decal, Service Aid	1
10	107-2102	Decal, Folding Rops Warning	1
11	109-2396	Decal, Pump Drive Release	1
12	103-0223	Decal, Shell Coolant	1
13	109-2698	Decal, Console	1

Item	Part No.	Description	Qty.
14	103-2882	Decal, Exmark Logo	2
15	1-513747	Decal, Battery	1
16	1-643339	Decal, Routing Belt	1
17	107-2112	Decal, Warning	1
18	109-2356	Decal, Motion Control	1
19	109-2357	Decal, Motion Cntl/Park Brk	1
20	109-2358	Decal, Ignition	1
21	98-4361	Decal, Warning	2
22	103-1636	Decal, Diesel Only	1
23	110-3842	Decal, Antifreeze	1
24	110-0806	Decal, No Starting Fluid	1
25	109-2114	Decal, Frontrunner	2
	109-2854	Kit, Decal	

NOTES

SEE EXMARK'S COMPLETE LINE OF ACCESSORIES

MID-MOUNT RIDING ACCESSORIES

CUSTOM RIDE SEAT SUSPENSION SYSTEM	ROLL OVER PROTECTION SYSTEM (ROPS)
DECK LIFT ASSIST KIT	SNOW BLADE
HITCH KIT	SUN SHADE
LAZERLOCKER	TRASH CONTAINER
LIGHT KIT	TURF STRIPER
MICRO-MULCH SYSTEM	ULTRA VAC COLLECTION SYSTEM
OPERATOR CONTROLLED DISCHARGE	ULTRA VAC QUICK DISPOSAL SYSTEM

OUT-FRONT RIDING ACCESSORIES

CUSTOM RIDE SEAT SUSPENSION SYSTEM	SNOW BLADE
DUAL-TAIL WHEEL	SNOWBLOWER
FLOOR PAN EXTENDER	SUN SHADE
HITCH KIT	TRASH CONTAINER
LIGHT KIT	ULTRA VAC COLLECTION SYSTEM
MICRO-MULCH SYSTEM	ULTRA VAC QUICK DISPOSAL SYSTEM
ROLL OVER PROTECTION SYSTEM (ROPS)	WEATHER CAB
ROTARY BROOM	

WALK-BEHIND ACCESSORIES

GRASS CATCHER	TURF STRIPER
LAZERLOCKER	STANDON
MICRO-MULCH SYSTEM	

Place Model No. and Serial No.
Label Here (Included in the Literature
Pack or Fill in Below)

Model No. _____

Serial No. _____

Date Purchased _____

Engine Model No. and Spec. No. _____

Engine Serial No. (E/No) _____

© 2006–2008 Exmark Mfg. Co., Inc.
Industrial Park Box 808
Beatrice, NE 68310
All Rights Reserved

Part No. 4500-228 Rev. A
(402) 223-6300
Fax (402) 223-5489
Printed In USA.



www.exmark.com