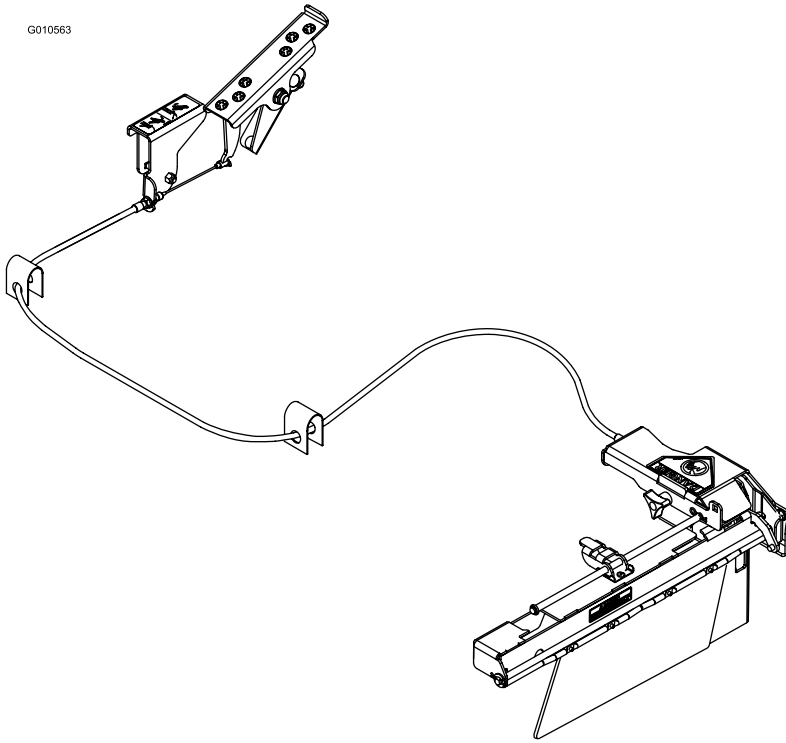




G010563



OCD02

Part No. 4500-483 Rev. A

Parts Manual

EXMARK PARTS PLUS

PARTS

OVERNIGHT

OR *FREE**

If your Exmark dealer does not have the Exmark part in stock, Exmark will get the parts to the dealer the next business day or the part will be FREE Guaranteed!! (Some restrictions apply. See your participating Exmark Dealer for details.)

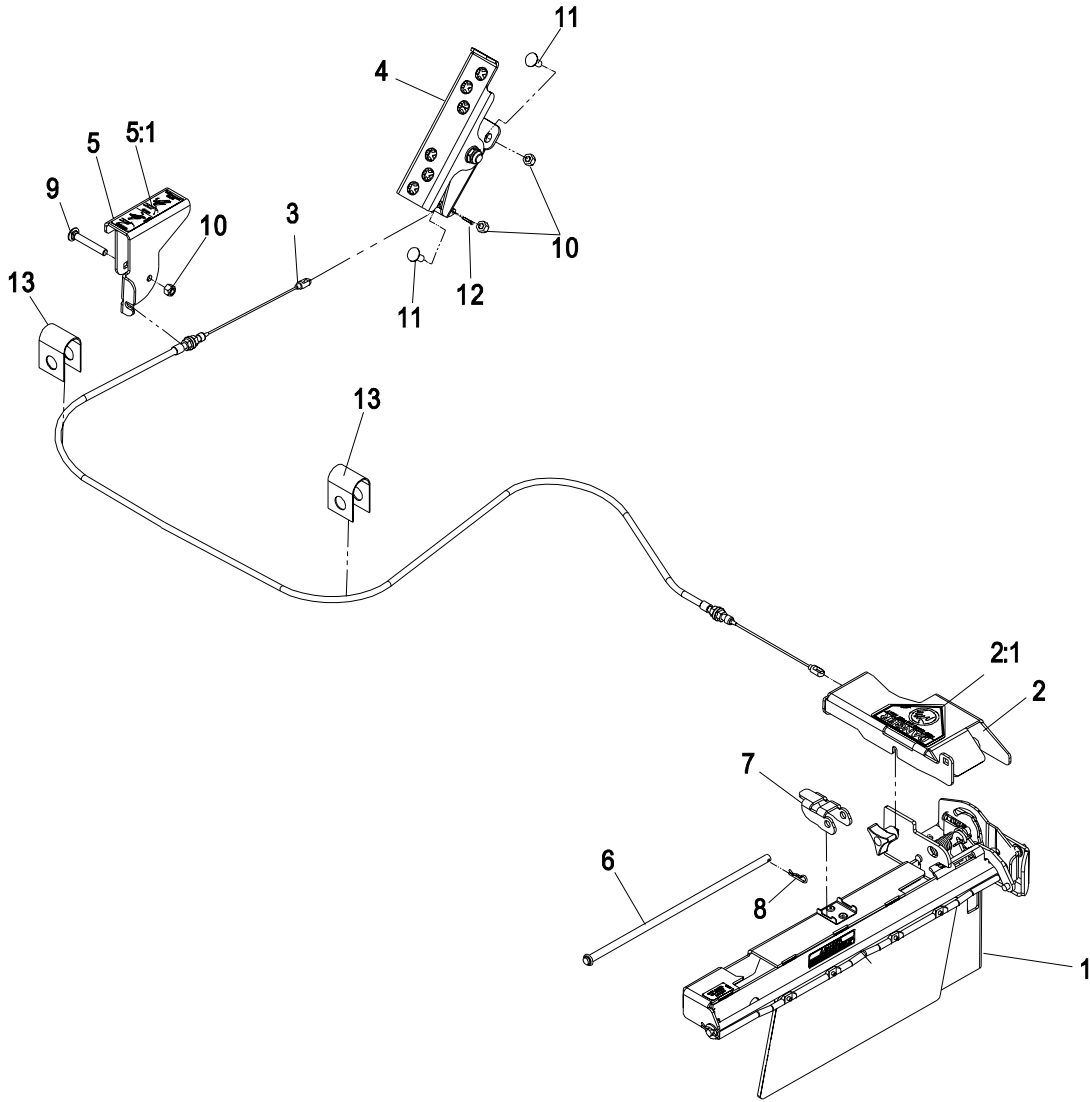
 **WARNING**

**READ OPERATOR'S MANUAL BEFORE
OPERATING OR SERVICING EXMARK EQUIPMENT**

TABLE OF CONTENTS

<u>Description</u>	<u>Page</u>
Assembly	3
Gate Linkage Assembly	4
Gate Pedal Assembly.....	5
Decals	6

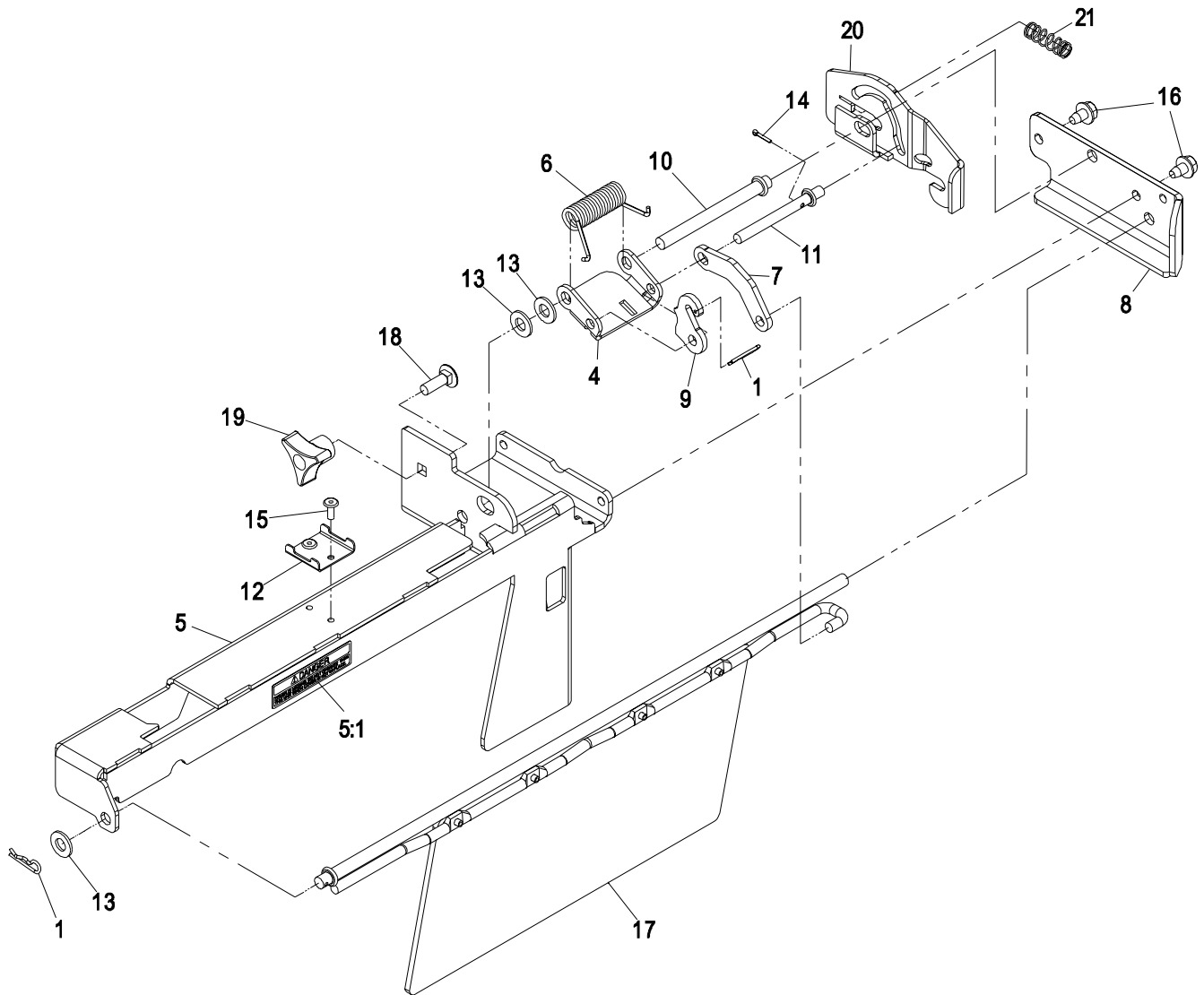
OCD02 ASSEMBLY



Item	Part No.	Description	Qty.
1	109-7160	Asm, Gate Linkage.....	1
2	109-9984	Asm, Cable Bracket.....	1
2:1	1-403005	Decal, Danger	1
3	109-8256	Cable, Discharge Gate	1
4	109-9059	Asm, Gate Pedal	1
5	109-7167	Asm, Cable Bracket.....	1
5:1	109-9928	Decal, Operation	1
6	109-9581	Rod, Chute Pivot	1

Item	Part No.	Description	Qty.
7	109-9595	Bracket, Link Pivot	1
8	1-806003	Hairpin, Cotter	1
9	3230-7	Bolt, Carriage 5/16-18 x 2 1/4.....	1
10	3296-29	Nut, Nyloc 5/16-18	3
11	3230-23	Bolt, Carriage 5/16-18 x 3/4, short neck	2
12	3272-5	Pin, Cotter 3/32 x 1/2.....	1
13	109-4101	Support, Cable	2

GATE LINKAGE ASSEMBLY – 109-7160

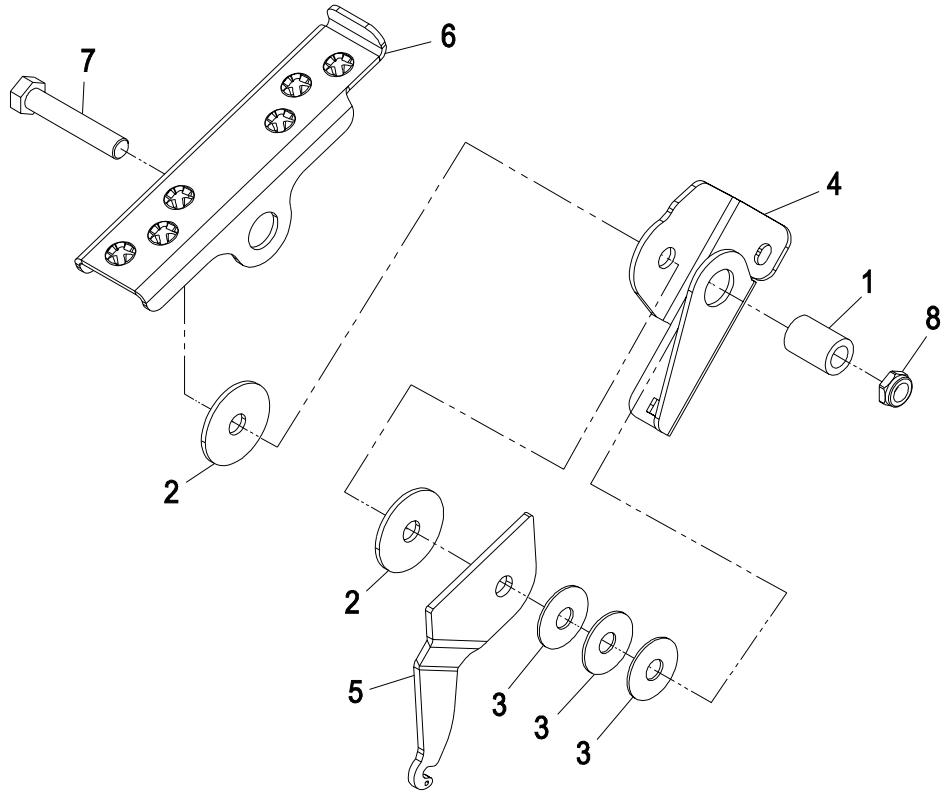


Item	Part No.	Description	Qty.
1	1-806003	Hairpin, Cotter	2
4	109-7152	Bracket, Link Pivot.....	1
5	116-0866	Gate, Link Frame.....	1
5:1	98-5954	Decal, Danger	1
6	109-7158	Spring-Torsion.....	1
7	116-1213	Link, Gate.....	1
8	116-1310-01	Bracket, Pivot Support.....	1
9	109-8652	Link, Gate Lift.....	1
10	116-1285	Rod, Control Pivot	1
11	116-1281	Rod, Control Link.....	1

Item	Part No.	Description	Qty.
12	109-9599	Channel, Latch Contact.....	1
13	3256-24	Washer, 3/8 SAE	3
14	3272-5	Pin, Cotter 3/32 x 1/2	1
15	114439	Rivet	2
16	9266934	Screw, HWH 5/16 x 1/2 TF	2
17	109-7150	Asm, Gate.....	1
18	3230-2	Bolt, Carriage 5/16-18 x 1	1
19	1-323385	Knob, 3 Prong.....	1
20	116-1284	Wld, Latch.....	1
21	103-2188	Spring, Compression.....	1

Exmark red touch up paint (spray paint – P/N 1-850337 - .6 oz liquid bottle – P/N 103-9140).

GATE PEDAL ASSEMBLY – 109-9059



Item	Part No.	Description	Qty.
1	92-6036	Spacer- Roller	1
2	103-5009	Disc, Friction	2
3	103-5018	Washer, Spring Disc.....	3
4	109-9060	Bracket, Pedal Pivot	1

Item	Part No.	Description	Qty.
5	109-9068-01	Bracket, Pedal Link	1
6	116-1358-01	Channel, Pedal Link	1
7	325-11	Screw, HH 1/2-13 x 2 3/4	1
8	3296-45	Nut, Nyloc 1/2-13 Thin	1

DECALS



Item	Part No.	Description	Qty.
1	98-5954	Decal, Danger	1
2	109-9928	Decal, OCD02	1
3	1-403005	Decal, Danger	1

SEE EXMARK'S COMPLETE LINE OF ACCESSORIES AND OPTIONS

MID-MOUNT RIDING ACCESSORIES AND OPTIONS

CUSTOM RIDE SEAT SUSPENSION SYSTEM	OPERATOR CONTROLLED DISCHARGE
FULL SUSPENSION SEAT	ROLL OVER PROTECTION SYSTEM (ROPS)
DECK LIFT ASSIST KIT	SUN SHADE
HITCH KIT	TRASH CONTAINER
LIGHT KIT	TURF STRIPER
12V POWER PORT	ULTRA VAC COLLECTION SYSTEM
MICRO-MULCH SYSTEM	ULTRA VAC QUICK DISPOSAL SYSTEM

OUT-FRONT RIDING ACCESSORIES AND OPTIONS

CUSTOM RIDE SEAT SUSPENSION SYSTEM	SNOW BLADE
DUAL-TAIL WHEEL	SNOWBLOWER
FLOOR PAN EXTENDER	SUN SHADE
HITCH KIT	TRASH CONTAINER
LIGHT KIT	ULTRA VAC COLLECTION SYSTEM
MICRO-MULCH SYSTEM	ULTRA VAC QUICK DISPOSAL SYSTEM
ROLL OVER PROTECTION SYSTEM (ROPS)	WEATHER CAB

WALK-BEHIND ACCESSORIES AND OPTIONS

GRASS CATCHER	TURF STRIPER
MICRO-MULCH SYSTEM	STANDON

Date Purchased _____

© 2009 Exmark Mfg. Co., Inc.
Industrial Park Box 808
Beatrice, NE 68310
All Rights Reserved

Part No. 4500-483 Rev. A
(402) 223-6300
Fax (402) 223-5489
Printed In USA.



www.exmark.com