

# COMMERCIAL® 21

**For Serial Nos.  
850,000 & Higher**  
Part No. 4500-493 Rev. C

# Parts Manual

**EXMARK PARTS PLUS**

***PARTS***

**OVERNIGHT**

**OR *FREE*\***

If your Exmark dealer does not have the Exmark part in stock, Exmark will get the parts to the dealer the next business day or the part will be FREE Guaranteed!! (Some restrictions apply. See your participating Exmark Dealer for details.)



**READ OPERATOR'S MANUAL BEFORE  
OPERATING OR SERVICING EXMARK EQUIPMENT.**

## **TABLE OF CONTENTS**

<b><u>Description</u></b>	<b><u>Page</u></b>
Blade Assembly .....	5-6
Decals .....	12
Deck and Wheel Assembly .....	3-4
Discharge Door, Plug and Bag Assembly .....	9
Engine Assembly .....	7-8
Gear Case Assembly for Self-Propelled Units .....	11
Handle Assembly for Push Units .....	10

## DECK and WHEEL ASSEMBLY

Item	Part No.	Description	Qty.
2+	32144-85	Screw, HWH 1/4-20 x .62.....	1
□	32144-85	Screw, HWH 1/4-20 x .62.....	2
▲	32144-85	Screw, HWH 1/4-20 x .62.....	3
3	109-7258	Spring-Compression .....	2
4	104-8301	Nut, Nyloc 3/8-16 Flg .....	4
5	109-7694	Spring-Compression .....	1
6*	108-5059	Spacer-Bushing .....	2
7	109-7692	Spring-Extension.....	1
8	109-7274	Housing, Bearing .....	2
9+	109-8016	Asm, Wheel And Tire With Bearing .....	4
*	109-8016	Asm, Wheel And Tire With Bearing .....	2
9:1	109-8033	Asm, Wheel .....	1
9:2	109-8020	Bearing, Ball .....	3
10*	109-8020	Bearing, Ball .....	2
11	109-8025	Rod, Sheild .....	1
12*	109-8032	Asm, Rear Wheel .....	2
12:1	109-8033	Asm, Wheel .....	1
12:2	109-8020	Bearing, Ball .....	2
12:3	109-7264	Gear.....	1
12:4	27-6260	Screw, Drive .....	3
13+	109-8441	Bracket, Mount.....	1
□	109-8441	Bracket, Mount.....	2
▲	109-8441	Bracket, Mount.....	3
14■	109-8454	Rod, Bumper.....	1
15*	109-9287	Cover, Gear .....	2
16	32151-36	Ring, Retaining .....	2
17	116-2006	Deck W/Decals .....	1
17:2	116-1922	Decal, Height of Cut.....	1
17:3	68-7410	Decal, Warning Blade .....	1
17:4	94-8072	Decal, Danger.....	1

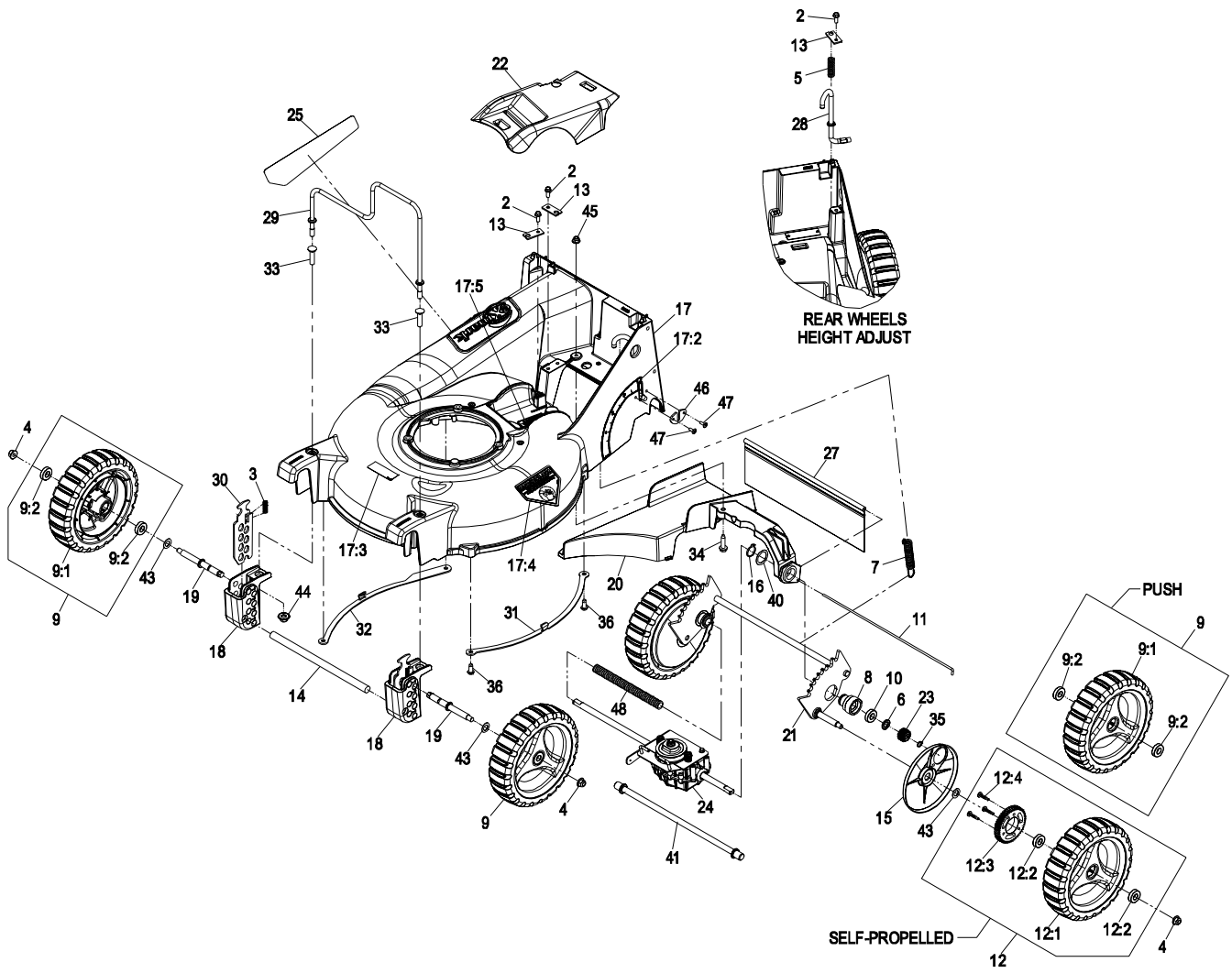
Item	Part No.	Description	Qty.
17:5	109-9317	Decal, Cover Missing.....	1
18	109-9302	Block, Front Quadrant.....	2
19	116-0994	Axle, Wheel .....	2
20	109-9310-01	Bkt, Trans Support/Chute.....	1
21	109-9312	Wld, Rear Axle.....	1
22	109-9324	Cover, Belt.....	1
23*	110-9417	Pinion .....	2
24*	116-0103	Asm, Transmission W/Bracket .....	1
25●	116-0245	Decal, Commercial 21 AS.....	1
■	116-0246	Decal, Commercial 21.....	1
26*	116-0250	Brush-Belt Guide .....	1
27	116-0252	Shield-Trailing.....	1
28	116-0329	Rod-Height Adj .....	1
29■	116-0522	Guard, Engine .....	1
30	109-9292	Plate, Front Height.....	2
31■	116-0995-03	Skid, LH (Black).....	1
32■	116-0996-03	Skid, RH (Black) .....	1
33●	109-8449	Bolt, Carriage 3/8-16 x 1 1/2 .....	2
34	32144-49	Screw, HWH 5/16-18 1 1/4 TF .....	1
35*	32151-61	Ring, Retaining .....	2
36■	613381	Screw, Button Head 5/16-18 x .725 TF ..	4
40	74-1810	Washer.....	2
41+	109-9307	Spacer, Rod.....	1
43	36-4780	Washer .....	4
44	109-6658	Nut, Nyloc 3/8-16 Flg .....	2
45	104-8300	Nut, Nyloc 5/16-18 Flg .....	1
46	116-2221	Plate, Wear.....	1
47	114439	Rivet.....	2
48*	117-5260	Cover-Shaft, Drive .....	1

Exmark black touch up spray paint - gloss black.

Exmark red touch up paint (spray paint - P/N 1-850337 - .6 oz liquid bottle - P/N 103-9140).

- For EC21ASKAP, EC21ASKA, EC21ASHN units only.
- For all units except EC21ASKAP, EC21ASKA, EC21ASHN.
- + For push units.
- \* For self-propelled units.
- For self-propelled units non-BBC.
- ▲ For units **with** blade brake clutch.
- \* For units **without** blade brake clutch.

# DECK and WHEEL ASSEMBLY



# BLADE ASSEMBLY

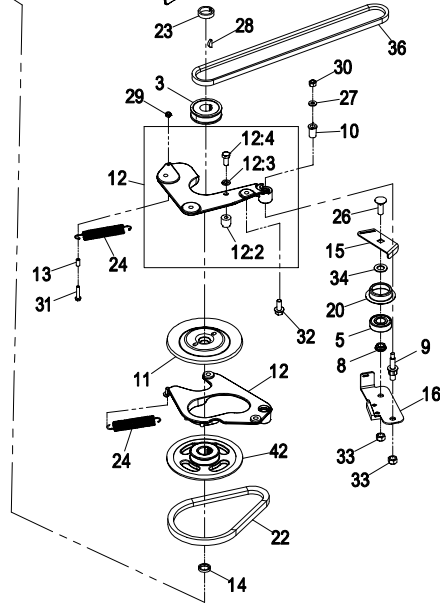
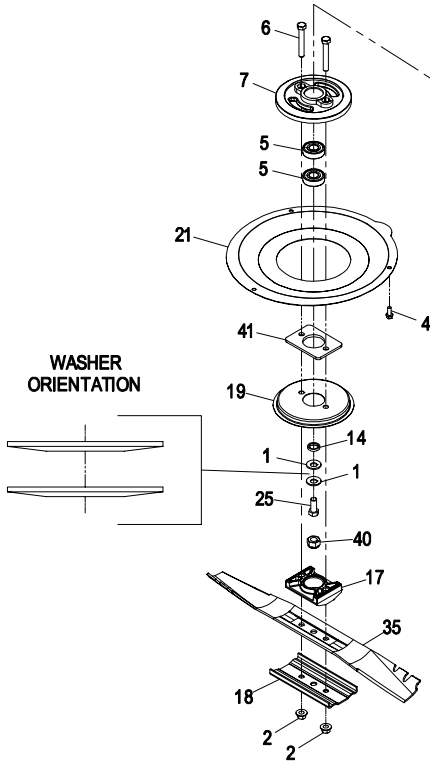
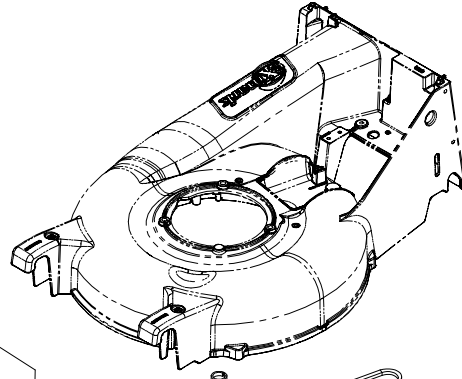
Item	Part No.	Description	Qty.
1●	1-603610	Washer, Spring Disc 7/16.....	2
2■	54-9190	Nut, Hex 3/8-24 Lock.....	2
3●	56-6180	Pulley-Driver.....	1
4■	32144-85	Screw, HWH 1/4-20 x .62.....	3
5■	100-1048	Bearing, Ball.....	3
6■	104-5937	Screw, HH 3/8-24 x 2 3/4.....	2
7■	107-0754	Drum (BBC).....	1
8■	107-0758	Spacer-Bearing.....	1
9■	107-0759	Bolt-Shoulder.....	1
10■	107-0797	Bushing.....	1
11●	107-4277	Pulley- Driver, Upper.....	1
12▼	109-7243	Plate-Anchor.....	1
●	116-3571	Asm, Plate-Mounting, BBC.....	1
12:2●	116-3567	Spacer.....	1
12:3●	3253-4	Washer, Lock 5/16.....	1
12:4●	322-3	Screw, HH 5/16-18 x 3/4.....	1
13●	107-4292	Spacer-BBC.....	1
14●	107-4293	Spacer-Plate, BBC.....	2
15■	107-7471	Plate-Guide.....	1
16■	107-7477	Asm, Brake Arm.....	1
17■	107-7487	Support-Blade (Die Cast).....	1
18	108-3766-03	Support-Blade.....	1
19■	108-3787	Disc (BBC).....	1
20■	108-3790	Retainer-Belt (BBC).....	1
21■	116-3360-03	Cover, BBC.....	1
*	116-3503-03	Cover, Non-BBC.....	1

Item	Part No.	Description	Qty.
22■	110-1790	Belt-BBC.....	1
23●	110-2142	Spacer-Pulley.....	1
24▼	108-3792	Spring-Tension, Brake (BBC).....	1
●	115-4471	Spring-Extension.....	1
25■+	3212-4	Screw, HH 7/16-20 x 1.....	1
26■	3231-38	Bolt, Carriage 3/8-16 x 1 1/4.....	1
27■	3256-16	Washer, #12 Std.....	1
28●	3257-17	Key, Woodruff 5/32 X 21/32.....	1
29●	3296-27	Nut, Lock #10-32.....	1
30■	3296-42	Nut, Nyloc 1/4-20.....	1
31●	32144-9	Screw, HWH #10-32 x 1 Taptite.....	1
32●+	33104-020	Screw, HH M8-1.25 x 20mm.....	3
33■	603773	Nut, Hex 3/8-16 Side Lock.....	2
34■	605256	Washer.....	1
35	108-0954-03	Blade.....	1
36*	109-7299	Belt, 3L Drive.....	1
37▲	109-7257	Blade-Adapter.....	1
◆	109-7259	Adapter-Blade Driver .25 Key.....	1
38▲	105-8579	Bolt-Blade (Sems).....	1
◆	109-7265	Bolt, Blade.....	1
39□	108-8110-03	Guide-Belt.....	1
40▼	108-9342	Nut, Hex M14-1.5 Lock.....	1
41▼	116-2666	Spacer.....	1
42▼	110-7456	Pulley (BBC).....	1

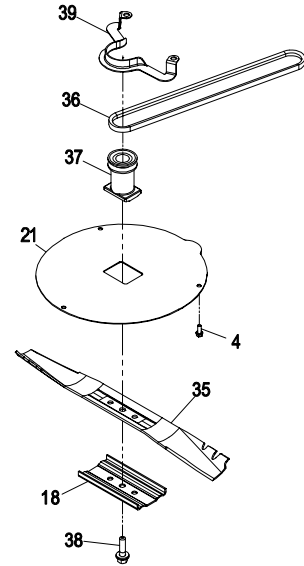
Exmark black touch up spray paint - gloss black.

- For Kawasaki BBC units only.
- ▲ For units with Kawasaki engine non-BBC.
- For units **with** blade brake clutch
- \* For units **without** blade brake clutch.
- ◆ For units with Honda engine non-BBC.
- + Use Pro-Lock, Nut Type (P/N 1-840022, .5ml tube) on Items #25 & #32.
- For self-propelled units non-BBC.
- \* For all self-propelled units.
- ▼ For Honda BBC units only.

# BLADE ASSEMBLY



BLADE BRAKE CLUTCH (BBC)



NON-BBC / PUSH

# ENGINE ASSEMBLY

Item	Part No.	Description	Qty.
1▼	3210-8	Screw, HH 5/16-24 x 1 1/2.....	2
	95-1727	Screw, HWH 3/8-16 x 1 1/4 Taptite.....	3
3●	1-603770	Valve, Fuel.....	1
4✱	46-8091	Screw, HWH 1/4-10 x .82 Plastite.....	1
▼	46-8091	Screw, HWH 1/4-10 x .82 Plastite.....	2
5●	104-2628	Screw, HWH M6-1 x 12mm TF.....	3
6●	109-9291-03	Bracket, Fuel Tank.....	1
7○	107-0588	Hose-Fuel.....	2
+	107-0588	Hose-Fuel.....	1
9●	2412-98	Clamp, Hose.....	4
▼	2412-98	Clamp, Hose.....	2
10★	114-0280	Tank-Fuel.....	1
□	117-3510	Fuel Tank Asm.....	1
11★	109-6776	Cap, Kelch 225 Ratchet Tether.....	1
□	93-7198	Gas Cap Asm.....	1
12▷	109-6528	Decal, Recoil Kai.....	1
13▷	114-3415	Decal-Air Cleaner.....	1
14*	116-0896	Throttle-Kawasaki W/O Choke.....	1
	116-2248	Throttle-Kawasaki W/ Choke (EC21KABBCX).....	1
15■	116-2220-03	Bracket, Throttle Mount.....	1
16■	3229-30	Bolt, Carriage 1/4-20 x 1.....	1

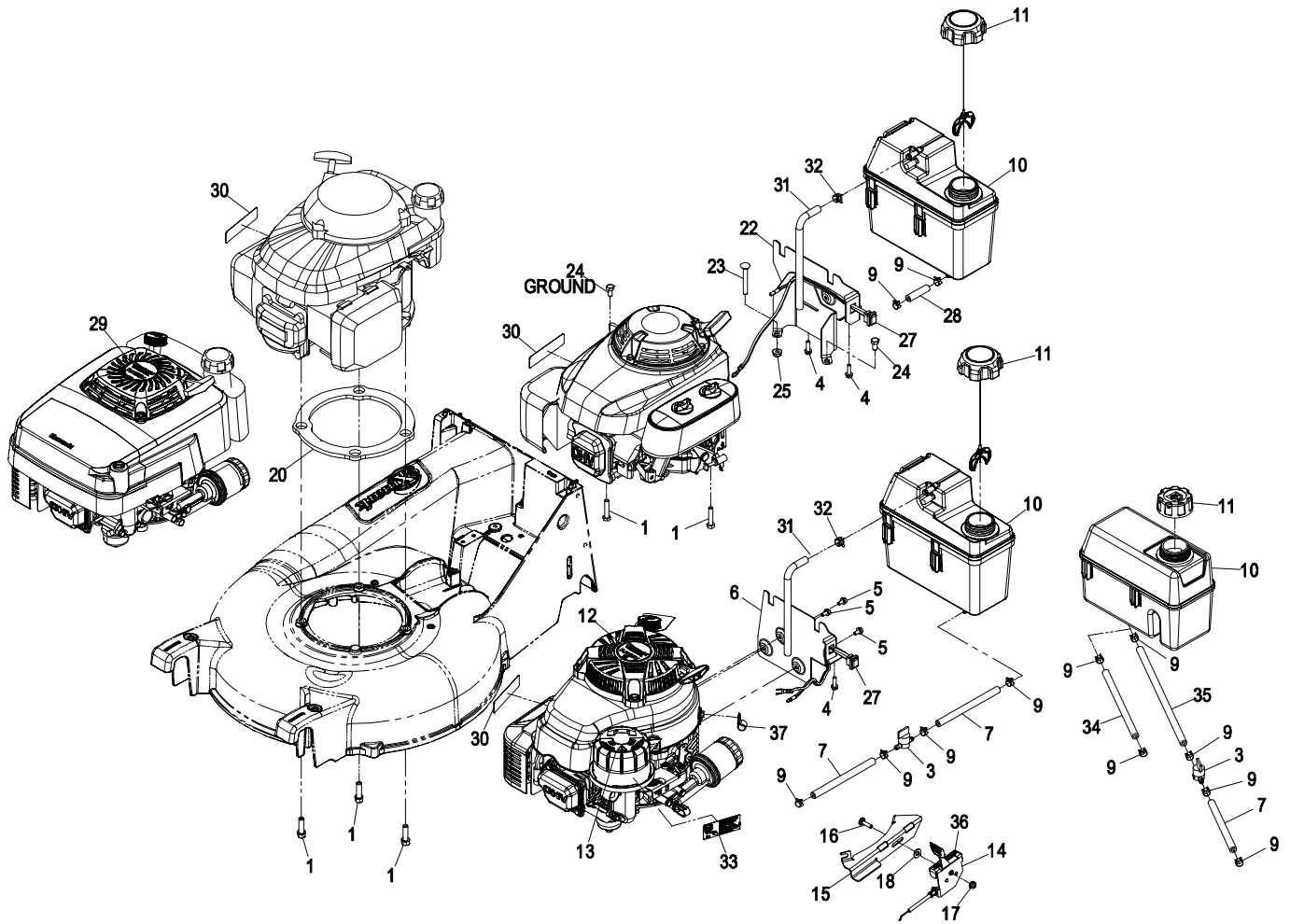
Item	Part No.	Description	Qty.
17■	104-7201	Nut, Nyloc 1/4-20 Flg.....	1
18■	3256-23	Washer, 5/16 SAE.....	1
20	116-2068	Gasket, Deck.....	1
22▼	116-2429-03	Bracket Asm.....	1
23▼	3230-8	Bolt, Carriage 5/16-18 x 2 1/2.....	1
24▼	3210-2	Screw, HH 5/16-24 x 5/8.....	2
25▼	104-8300	Nut, Nyloc 5/16-18 Flg.....	1
27▼	109-7247	Harness, Run/Stop.....	1
	116-2806	Harness, Run/Stop (EC21KABBC).....	1
28	99-9415	Hose-Fuel (EC21HNBBC).....	1
29	107-4201	Decal-Recoil (EC21ASKAP, EC21ASKA).....	1
30▲	117-2718	Decal-Arrester, Spark.....	1
31●●	115-0962	Hose-Vent, Canister.....	1
32●●	114-0287	Clamp-Hose, 13Mm.....	1
33✱✱	109-8191	Decal, Primer.....	1
34	109-0293	Hose, Fuel Line 8 1/2" (EC21HNBBCX)..	1
35+	114-3766	Hose-Fuel.....	1
36	103-6328	Decal-Throttle / Choke(EC21KABBCX)..	1
*	109-8194	Decal Throttle Control BBC.....	1
37	1-513762	Clip, Loom (EC21KABBC).....	2

Exmark black touch up spray paint - gloss black.

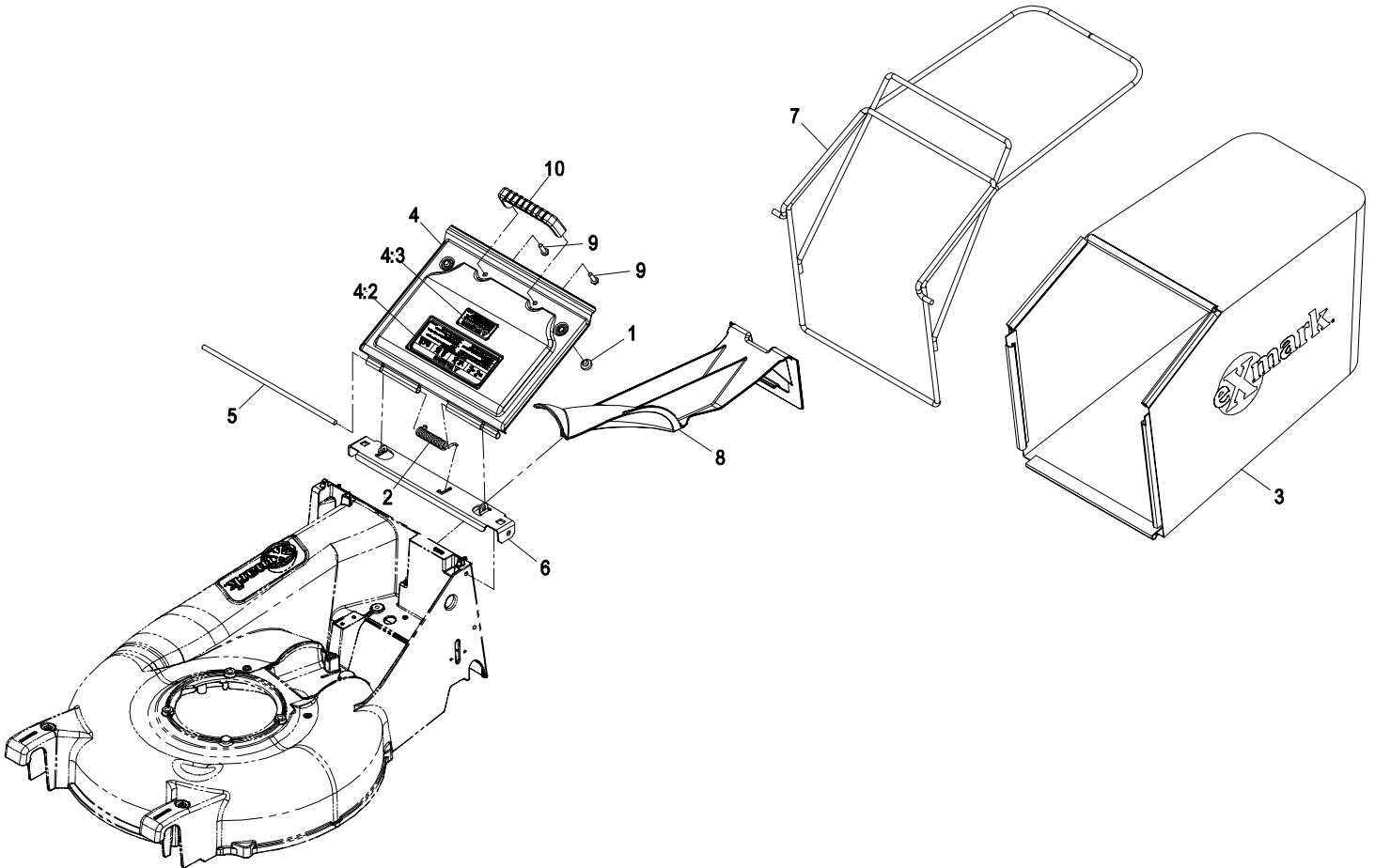
- ▼ For Honda BBC units only.
- For EC21KABBC, EC21KA, EC21KABBCX, EC21KAX, EC21KAY, EC21KABBCY
- ✱ For EC21KABBC, EC21KABBCX, EC21KAX, EC21KAY, EC21KABBCY
- For EC21KABBC, EC21KA
- +
- ★ For EC21KABBC, EC21HNBBC, EC21KA
- EC21KABBCX, EC21KAX, EC21KAY, EC21KABBCY, EC21HNBBCX
- ▷ For EC21KABBC, EC21KABBCA, EC21KA, EC21KABBCX, EC21KAX, EC21KACA, EC21KAY, EC21KABBCY
- \* For EC21KABBCA, EC21KAX, EC21KACA, EC21KABBCY
- For EC21KABBCA, EC21KABBCX, EC21KAX, EC21KACA, EC21KABBCY
- ▲ For EC21ASHN, EC21KABBC, EC21HNBBC, EC21KABBCA, EC21KA, EC21KACA
- For EC21KABBC, EC21HNBBC, EC21KA
- ✱✱ For EC21KABBC, EC21KA, EC21KAY, EC21KABBCA, EC21KAX, EC21KACA, EC21KABBCY



# ENGINE ASSEMBLY



# DISCHARGE DOOR, PLUG and BAG ASSEMBLY



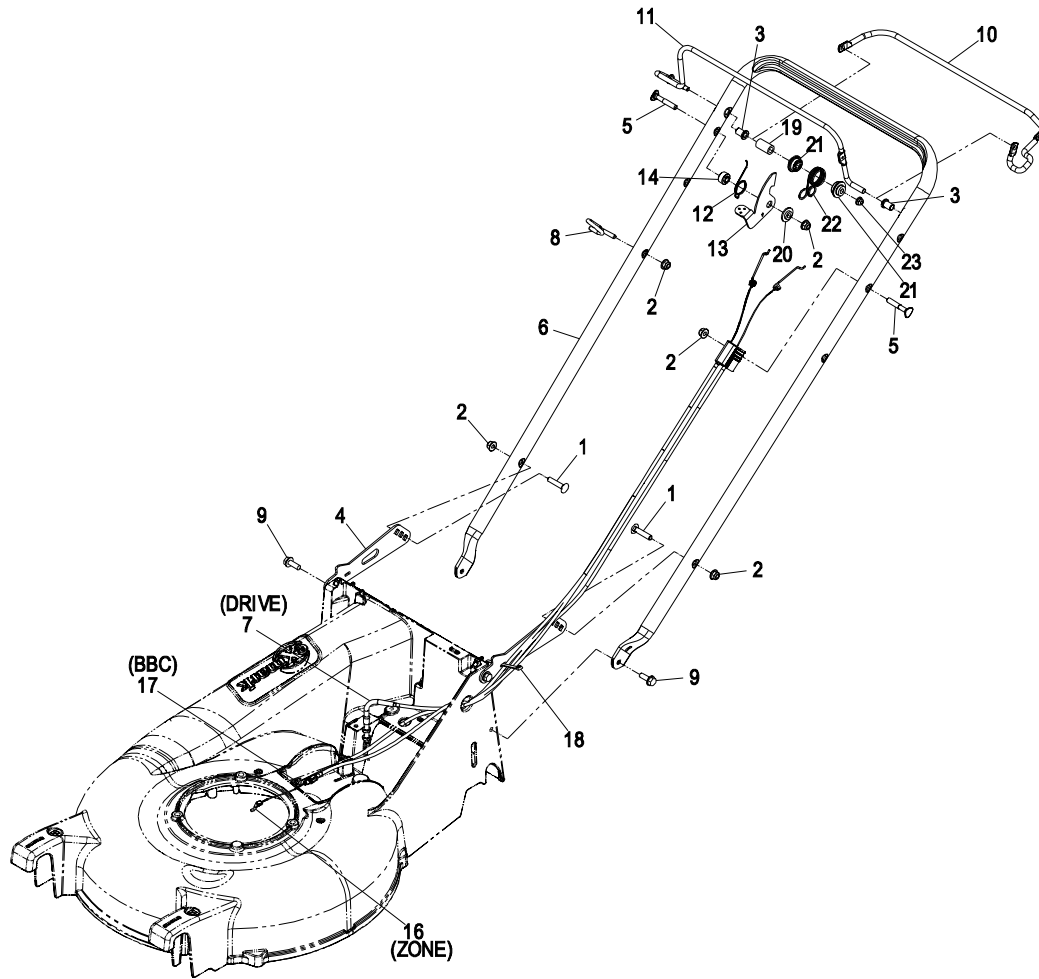
Item	Part No.	Description	Qty.
1	1-513658	Bumper, Grass Catcher.....	2
2	109-7696	Spring, Torsion, Cover .....	1
3	109-7294	Bag, Grass.....	1
4	116-2007	Asm, Door Discharge.....	1
4:2	116-1900	Decal, Warning .....	1
4:3	116-2685	Decal, Warning Door.....	1

Item	Part No.	Description	Qty.
5	109-9321	Rod, Door Pivot .....	1
6	109-9322-03	Bracket, Bag/Door Mount.....	1
7	109-9325-03	Wld, Bag Frame.....	1
8■	116-0251	Plug, Mulch.....	1
9■	46-8091	Screw, HWH 1/4-10 x .82 Plastite .....	2
10■	65-5100	Handle .....	1

Exmark black touch up spray paint - gloss black.

■ For all units except EC21ASKAP, EC21ASKA, and EC21ASHN.

# HANDLE ASSEMBLY



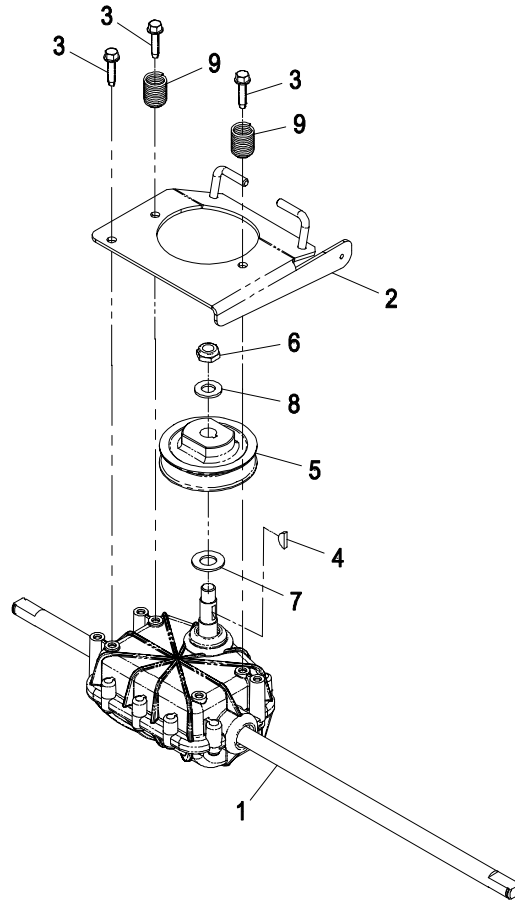
Item	Part No.	Description	Qty.
1	33-5790	Bolt, Carriage 5/16-18 x 1 1/2.....	2
2	104-8300	Nut, Nyloc 5/16-18 Flg .....	5
3	116-1478	Bushing-Handlebar .....	2
4	109-9323-03	Bracket, Handlebar .....	2
5●	112-8876	Bolt, Carriage 5/16-18 x 2 .....	1
■	112-8876	Bolt, Carriage 5/16-18 x 2 .....	2
6	116-0119-03	Handlebar .....	1
7✕	116-0904	Cable-Drive .....	1
8●	116-1056	Guide, Rope.....	1
9	32144-41	Screw, HWH 3/8-16 x 7/8 Taptite .....	4
10▼	109-8443	Bail, Drive Coated.....	1
	116-2825	Bail, Drive (EC21ASKA, EC21ASHN) ....	1
11▼	109-8442	Bail, OPC/BBC Coated .....	1
★	116-2252	Bail, OPC/BBC.....	1

Item	Part No.	Description	Qty.
12■	109-9318	Spring, Torsion .....	1
13■	116-2998	BBC Lever .....	1
14■	116-2690	Bushing, Stepped .....	1
16	116-0898	Cable-Zone (EC21ASHN).....	1
	116-0900	Cable-Zone (Kawasaki Non-BBC Units). 1	
17	116-0901	Cable-BBC (All BBC Units).....	1
18	614249	Strap-Tie (Small).....	1
19◆	1-603401	Spacer (EC21KA) .....	1
20	105-3006	Washer-Stepped.....	1
21■	109-8457	Bushing, Spring Pivot.....	2
22■	109-7287	Kit, BBC Return Spring W/Assembly Instructions.....	1
23	104-7201	Nut, Nyloc 1/4-20 Flg.....	1

Exmark black touch up spray paint - gloss black.

- For units **without** blade brake clutch.
- For units **with** blade brake clutch.
- ✕ For self propelled units.
- ▼ For all units except EC21ASKAP, EC21ASKA, EC21ASHN.
- ★ For EC21ASKAP, EC21ASKA, EC21ASHN units only
- ◆ For EC21KA, EC21KAX, EC21KACA, EC21KAY

# GEAR CASE ASSEMBLY for SELF-PROPELLED UNITS

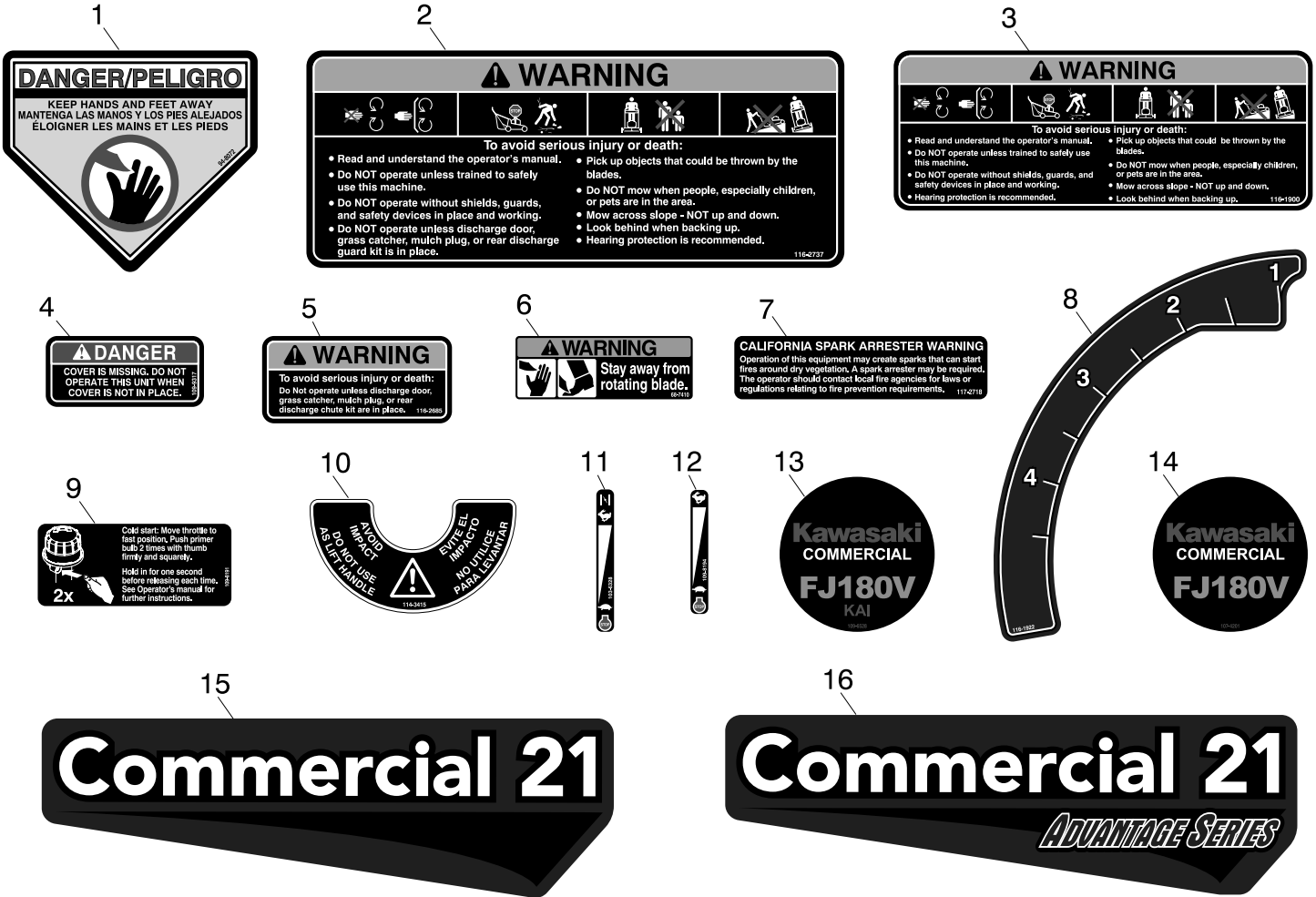


Item	Part No.	Description	Qty.
1	109-9290	Transmission .....	1
2	116-3539-03	Plate, Transmission .....	1
3	27-0220	Screw, Special.....	3
4	3257-1	Key, Woodruff 1/8 x 1/2 .....	1
5	39-6740	Pulley .....	1

Item	Part No.	Description	Qty.
6	3296-5	Nut, Nyloc 3/8-24 Thin.....	1
7	36-4792	Washer, Thrust .....	1
8	3256-45	Washer, Flat .....	1
9	116-1438	Spring, Compression.....	2

Exmark black touch up spray paint - gloss black.

# DECALS



Item	Part No.	Description	Qty.
1	94-8072	Decal, Danger .....	1
2	116-2737	Decal, Warning .....	1
3	116-1900	Decal, Warning .....	1
4	109-9317	Decal, Cover .....	1
5	116-2685	Decal, Warning Door.....	1
6	68-7410	Decal, Blade .....	1
7	117-2718	Decal, Spark Arrester.....	1
8	116-1922	Decal, Height of Cut.....	1

Item	Part No.	Description	Qty.
9	109-8191	Decal, Primer.....	1
10	114-3415	Decal, Air Cleaner.....	1
11	103-6328	Decal, Throttle/Choke .....	1
12	109-8194	Decal, Throttle .....	1
13	109-6528	Decal, Recoil KAI.....	1
14	107-4201	Decal, Recoil .....	1
15	116-0246	Decal, Commercial 21.....	1
16	116-0245	Decal, Commercial 21 AS.....	1

## NOTES



# SEE EXMARK'S COMPLETE LINE OF ACCESSORIES

## MID-MOUNT RIDING ACCESSORIES

CUSTOM RIDE SEAT SUSPENSION SYSTEM

FULL SUSPENSION SEAT

DECK LIFT ASSIST KIT

HITCH KIT

LIGHT KIT

12V POWER PORT

MICRO-MULCH SYSTEM

OPERATOR CONTROLLED DISCHARGE

ROLL OVER PROTECTION SYSTEM (ROPS)

SUN SHADE

TRASH CONTAINER

TURF STRIPER

ULTRA VAC COLLECTION SYSTEM

ULTRA VAC QUICK DISPOSAL SYSTEM

## OUT-FRONT RIDING ACCESSORIES

CUSTOM RIDE SEAT SUSPENSION SYSTEM

DUAL-TAIL WHEEL

FLOOR PAN EXTENDER

HITCH KIT

LIGHT KIT

MICRO-MULCH SYSTEM

ROLL OVER PROTECTION SYSTEM (ROPS)

SNOW BLADE

SNOWBLOWER

SUN SHADE

TRASH CONTAINER

ULTRA VAC COLLECTION SYSTEM

ULTRA VAC QUICK DISPOSAL SYSTEM

WEATHER CAB

## WALK-BEHIND ACCESSORIES

GRASS CATCHER

MICRO-MULCH SYSTEM

TURF STRIPER

STANDON

Place Model No. and Serial No.  
Label Here (Included in the Literature  
Pack or Fill in Below)

Model No. \_\_\_\_\_

Serial No. \_\_\_\_\_

Date Purchased \_\_\_\_\_

Engine Model No. and Spec. No. \_\_\_\_\_

Engine Serial No. (E/No) \_\_\_\_\_

© 2010 Exmark Mfg. Co., Inc.  
Industrial Park Box 808  
Beatrice, NE 68310  
All Rights Reserved

Part No. 4500-493 Rev. C  
(402) 223-6300  
Fax (402) 223-5489  
Printed In USA.



[www.exmark.com](http://www.exmark.com)