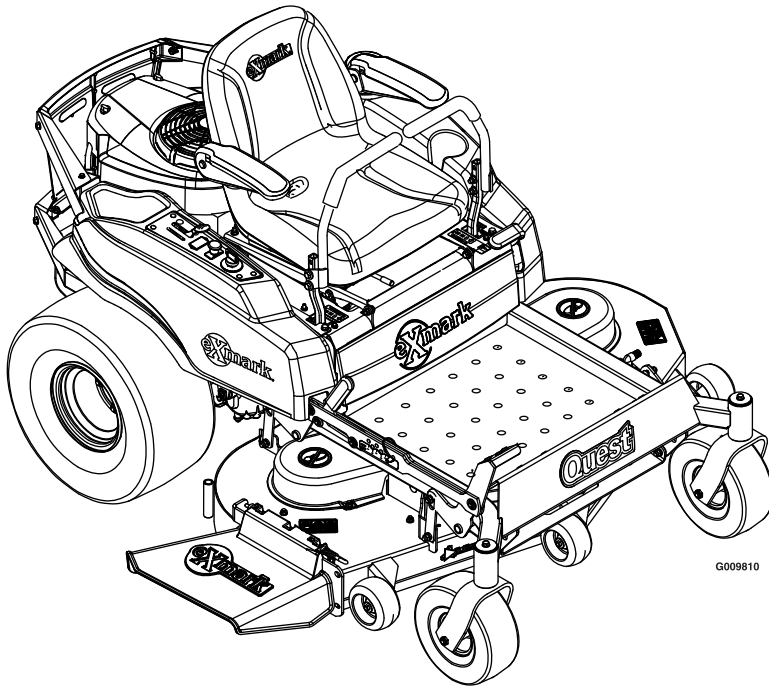


eXmark®



QUEST®

**For Serial Nos.
850,000 & Higher**
Part No. 4500-524 Rev. D

Parts Manual

EXMARK PARTS PLUS

PARTS

OVERNIGHT
OR *FREE**

If your Exmark dealer does not have the Exmark part in stock, Exmark will get the parts to the dealer the next business day or the part will be FREE Guaranteed!! (Some restrictions apply. See your participating Exmark Dealer for details.)

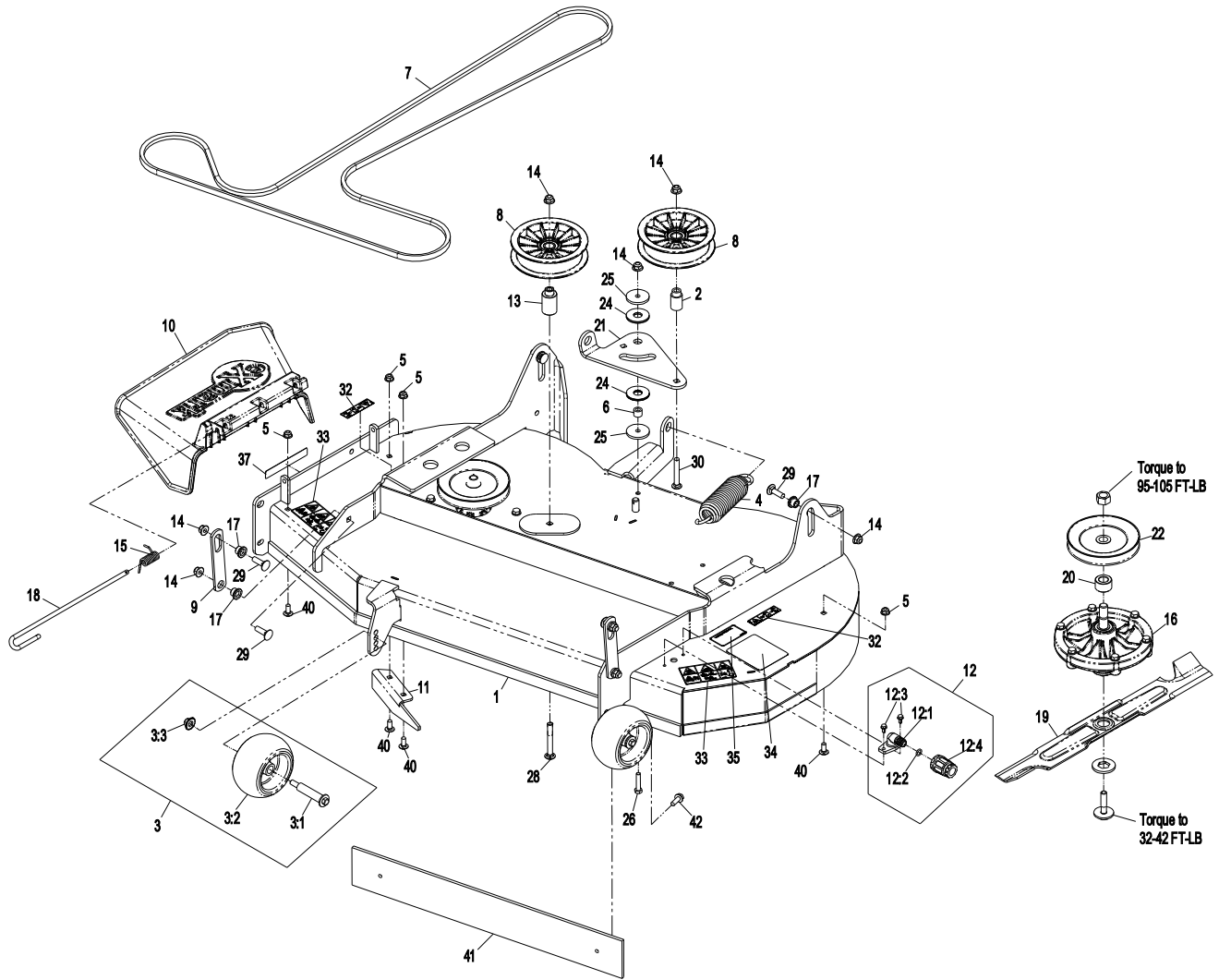


**READ OPERATOR'S MANUAL BEFORE
OPERATING OR SERVICING EXMARK EQUIPMENT**

TABLE OF CONTENTS

<u>Description</u>	<u>Page</u>
Cutter Housing Assembly	9
42" Deck Group	3-4
48" Deck Group	5-6
52" Deck Group	7-8
Decal Group.....	20
Electrical Diagram.....	22
Electrical Group	21
Electrical Logic Schematic	23
Engine Group.....	17
Frame Group	10-11
Fuel Group.....	16
Motion Control Group	12-13
Seat Group	14-15
Transaxle Assembly	19
Transaxle Group	18

42" DECK GROUP



Item	Part No.	Description	Qty.
1	109-9971	Asm, Deck W/ Decals.....	1
2	1-413113	Bushing-Idler	1
3	109-6388	Kit, Anti-Scalp Roller	2
3:1	112-3977	Bolt, Shoulder.....	1
3:2	1-603299	Roller-Scalp, Anti.....	1
3:3	104-8301	Nut, Nyloc 3/8-16 Flg.....	1
4	103-3330	Spring, Extension	1
5	104-8300	Nut, Nyloc 5/16-18 Flg.....	4
6	1-413088	Spacer	1
7	108-6645	Belt-V.....	1
8	109-0977	Pulley, Idler 5"	2
9	109-3410	Hanger, Deck	2
10	109-5151	Deflector, Discharge.....	1

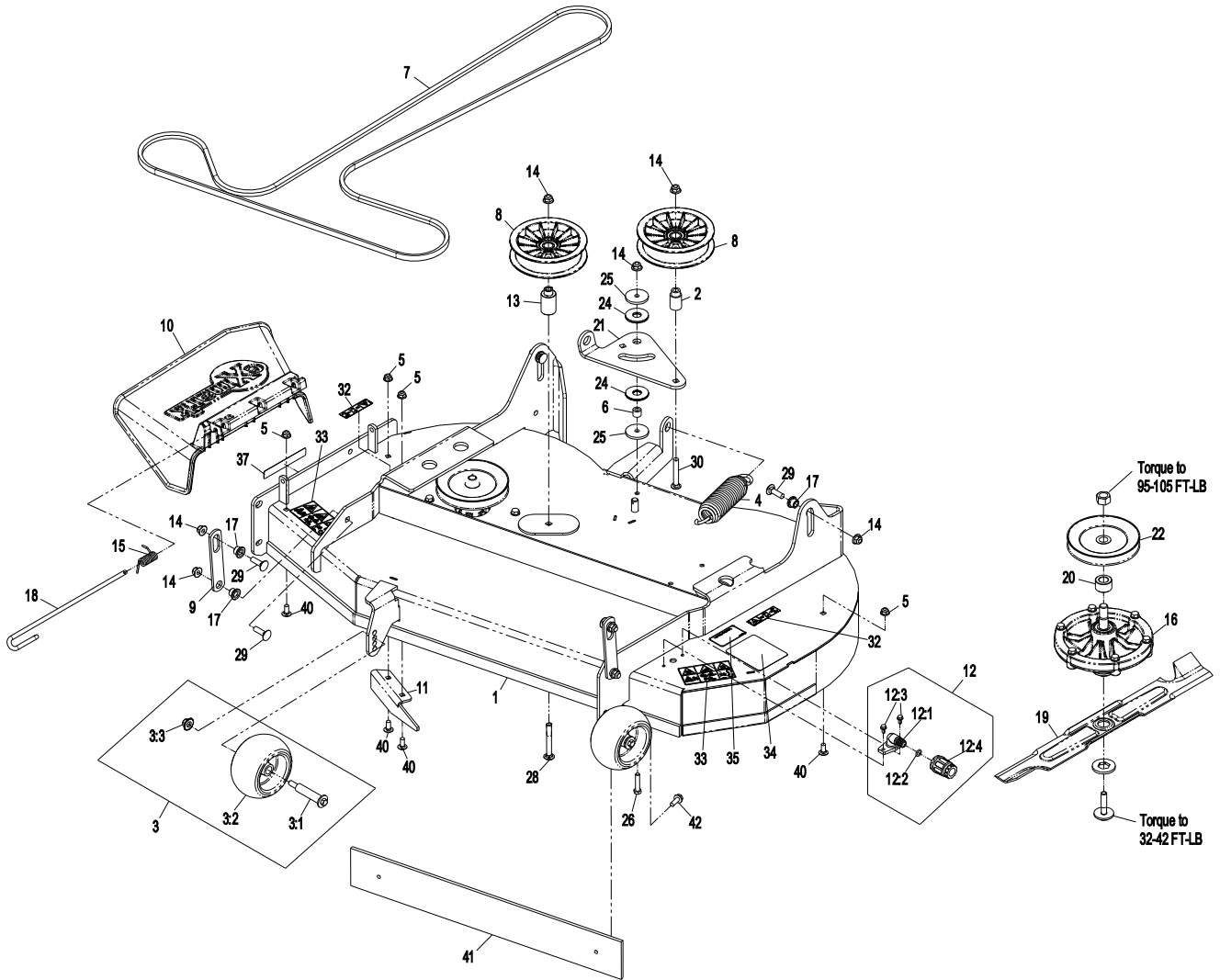
Item	Part No.	Description	Qty.
11	109-5498-03	Baffle, Discharge.....	1
12	109-6393	Washout Port Kit	1
12:1	95-2747	Fitting-Washout	1
12:2	46-6290	O-Ring.....	1
12:3	93-6083	Screw, HWH 1/2-20 x 1/2 Taptite	2
12:4	95-3270	Connector-Hose	1
13	109-6572	Bushing-Idler	1
14	104-8301	Nut, Nyloc 3/8-16 Flg	11
15	109-6886	Spring-Torsion	1
16	109-8744	Complete Cutter Housing Asm	2
17	109-8788	Bushing-Flanged.....	6
18	109-8854	Pin-Chute	1

Exmark black touch up spray paint – gloss black.

Exmark red touch up paint (spray paint - P/N 1-850337 - .6 oz liquid bottle - P/N 103-9140).

▲ Includes all item shown on pages 3, 4 & 7. Does not include struts or strut hardware.

42" DECK GROUP (cont.)



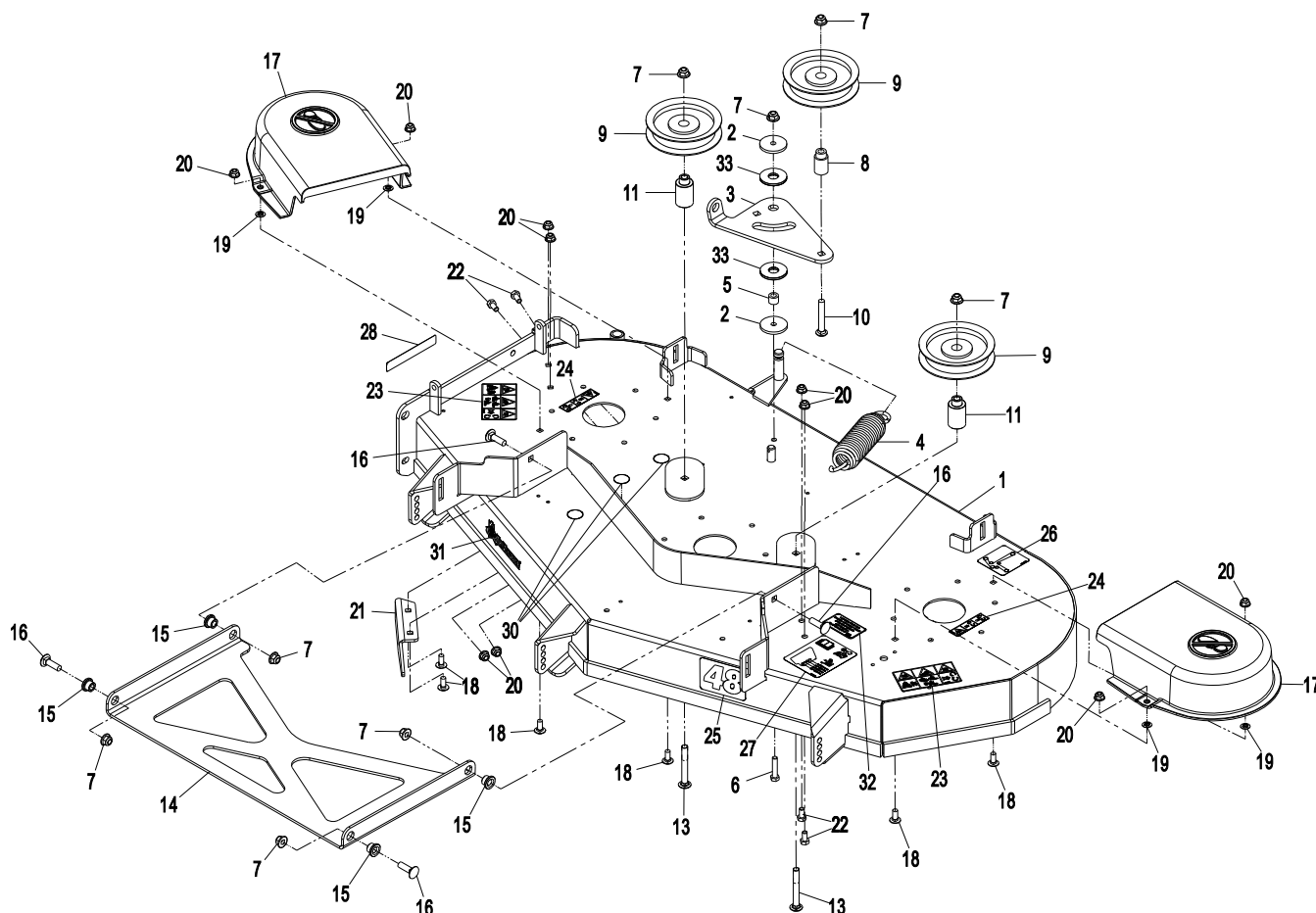
Item	Part No.	Description	Qty.
19	109-9982	Blade, High Lift Notched.....	2
20	109-9993	Spacer, Deck Sheave.....	2
21	116-1881-03	Arm, Idler.....	1
22	110-6864	Pulley.....	2
24	114-0463	Washer-Friction, Composite.....	2
25	110-9981	Spacer.....	2
26	323-52	Screw, HH 3/8-16 x 1 3/4.....	1
28	109-6868	Bolt, Carriage 3/8-16 x 3.....	1
29	3231-25	Bolt, Carriage 3/8-16 x 1 1/4.....	6
30	3231-31	Bolt, Carriage 3/8-16 x 2 1/2.....	1

Item	Part No.	Description	Qty.
32	109-6459	Decal, Warning, Belt Shield.....	2
33	110-6691	Decal, Danger.....	2
34	109-6036	Decal, Roller, Anti-Scalp.....	1
35	116-0533	Decal, Blade Torque.....	1
37	93-7009	Decal, Danger, Deflector.....	1
40	3230-23	Bolt, Carriage 5/16-18 x 3/4, short neck	4
41	116-1557-03	Weight.....	1
42	32144-41	Screw, HWH 3/8-16 x 7/8 Tapite.....	2
▲	109-9970	Asm, 42 Deck Complete	

Exmark black touch up spray paint – gloss black.

▲ Includes all item shown on pages 3, 4 & 9. Does not include struts or strut hardware.

48" DECK GROUP



Item	Part No.	Description	Qty.
1	116-1884	Asm, 48" Deck W/ Decal (Red)	1
	116-1885	Asm, 48" Deck W/ Decal (Black)	1
2	110-9981	Spacer	2
3	116-1881-03	Arm, Idler (Black).....	1
4	103-3330	Spring, Extension	1
5	1-413088	Spacer	1
6	323-52	Screw, HH 3/8-16 x 1 3/4	1
7	104-8301	Nut, Nyloc 3/8-16 Flg.....	8
8	1-413113	Bushing, Idler	1
9	1-603843	Pulley, Idler.....	3
10	3231-31	Bolt, Carriage 3/8-16 x 2 1/2	1
11	109-6572	Bushing, Idler	2
13	109-6868	Bolt, Carriage 3/8-16 x 3	2
14	109-3723-01	Strut, Deck (Red).....	1
14	109-3723-03	Strut, Deck (Black)	1
15	109-8788	Bushing, Flanged	4
16	3231-25	Bolt, Carriage 3/8-16 x 1 1/4	4
17	109-3449	Shield, Belt	2

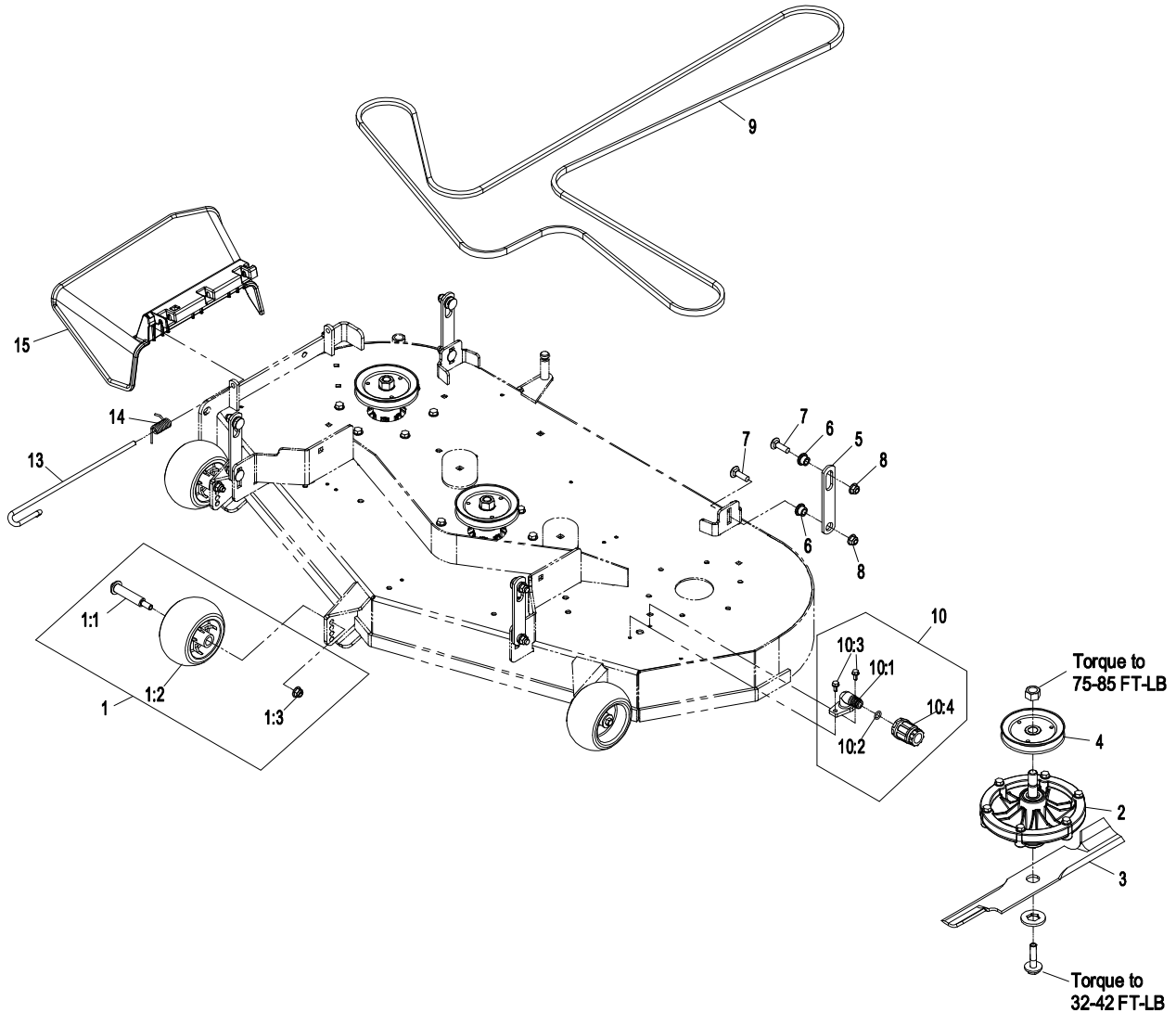
Item	Part No.	Description	Qty.
18	3230-23	Bolt, Carriage 5/16-18 x 3/4, short neck	6
19	109-5667	Ring, Bolt Retaining	4
20	104-8300	Nut, Nyloc 5/16-18 Flg	10
21	109-5498-03	Baffle, Discharge (Black)	1
22	322-2	Screw, HH 5/16-18 x 5/8	4
23	110-6691	Decal, Danger	2
24	109-6459	Decal, Warning, Belt Shield	2
25	109-6034	Decal, Deck 48.....	1
26	109-6035	Decal, Belt Routing	1
27	109-6036	Decal, Roller, Anti-Scalp	1
28	93-7009	Decal, Danger, Deflector.....	1
30	109-9159	Decal, Hole Cover.....	3
31	1-303520	Decal, Trivantage.....	1
32	116-0533	Decal, Blade Torque	1
33	114-0463	Washer, Friction, Composite.....	2
▲	109-8745	Asm, 48 Deck Complete (Red)	1
▲	116-0545	Asm, 48" Deck Complete (Black).....	1

Exmark black touch up spray paint – gloss black.

Exmark red touch up paint (spray paint - P/N 1-850337 - .6 oz liquid bottle - P/N 103-9140).

▲ Includes all item shown on pages 5, 6 & 9. Does not include struts or strut hardware.

48" DECK GROUP (cont.)



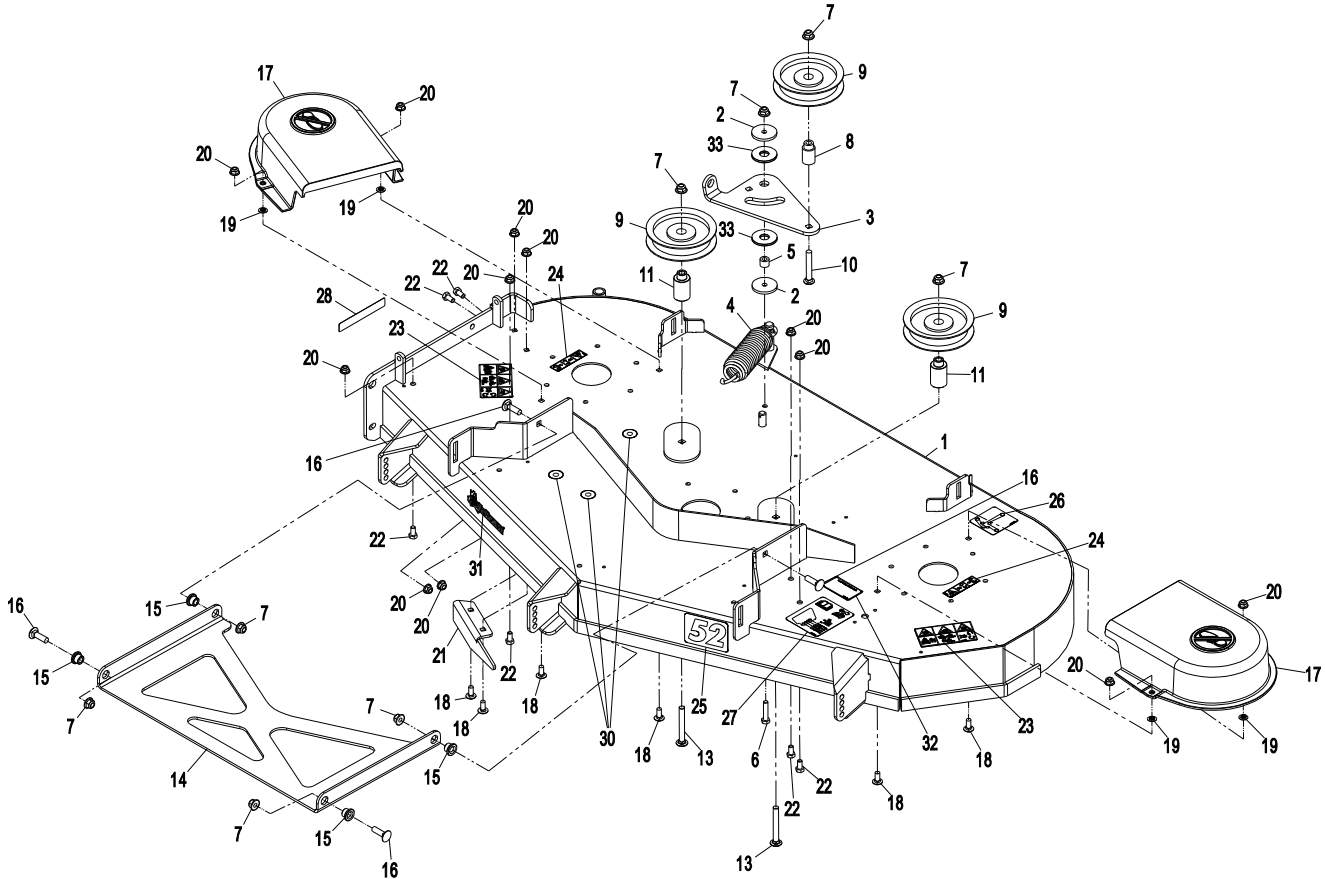
Item	Part No.	Description	Qty.
1	109-6388	Kit, Anti-Scalp Roller	3
1:1	112-3977	Bolt, Shoulder.....	1
1:2	1-603299	Roller, Anti-Scalp.....	1
1:3	104-8301	Nut, Nyloc 3/8-16 Flg.....	1
2	109-8744	Asm, Cutter Housing Complete.....	3
3	103-6401	Blade, Notched.....	3
■	109-6389	Blade, Mulch.....	3
	109-6391	Blade, High Lift.....	3
4+	109-3747	Sheave, Blade Drive.....	3
5	109-3410	Hanger, Deck.....	4
6	109-8788	Bushing, Flanged.....	8

Item	Part No.	Description	Qty.
7	3231-25	Bolt, Carriage 3/8-16 x 1 1/4.....	8
8	104-8301	Nut, Nyloc 3/8-16 Flg.....	8
9	109-5364	Belt.....	1
10	109-6393	Kit, Washout Port.....	1
10:1	95-2747	Fitting, Washout Port.....	1
10:2	46-6290	O-Ring.....	1
10:3	93-6083	Screw, HWH 1/2-20 x 1/2 Taptite.....	2
10:4	95-3270	Connector, Hose.....	1
13	109-8854	Pin, Chute.....	1
14	109-6886	Spring.....	1
15	109-5151	Chute, Deflector.....	1

Exmark red touch up paint (spray paint - P/N 1-850337 - .6 oz liquid bottle - P/N 103-9140).

- + Apply Mobil HTS grease (P/N 103-5217 1.5 oz packet) (or a food-grade anti-seize) between the spindles & sheaves. DO NOT use a copper or nickel based anti-seize.
- Requires installation of Micro-Mulch accessory for proper mulching. Mulch kit P/N 109-5980.

52" DECK GROUP



Item	Part No.	Description	Qty.
1	116-1890	Asm, 52" Deck W/ Decals (Red)	1
	116-1891	Asm, 52" Deck W/ Decals (Black)	1
2	110-9981	Spacer	2
3	116-1881-03	Arm, Idler	1
4	103-3330	Spring, Extension	1
5	1-413088	Spacer	1
6	323-52	Screw, HH 3/8-16 x 1 3/4	1
7	104-8301	Nut, Nyloc 3/8-16 Flg.....	8
8	1-413113	Bushing, Idler	1
9	1-603843	Pulley, Idler.....	3
10	3231-31	Bolt, Carriage 3/8-16 x 2 1/2	1
11	109-6572	Bushing, Idler	2
13	109-6868	Bolt, Carriage 3/8-16 x 3	2
14	109-3723-01	Strut, Deck.....	1
14	109-3723-03	Strut, Deck.....	1
15	109-8788	Bushing, Flanged	4
16	3231-25	Bolt, Carriage 3/8-16 x 1 1/4	4
17	109-3449	Shield, Belt	2

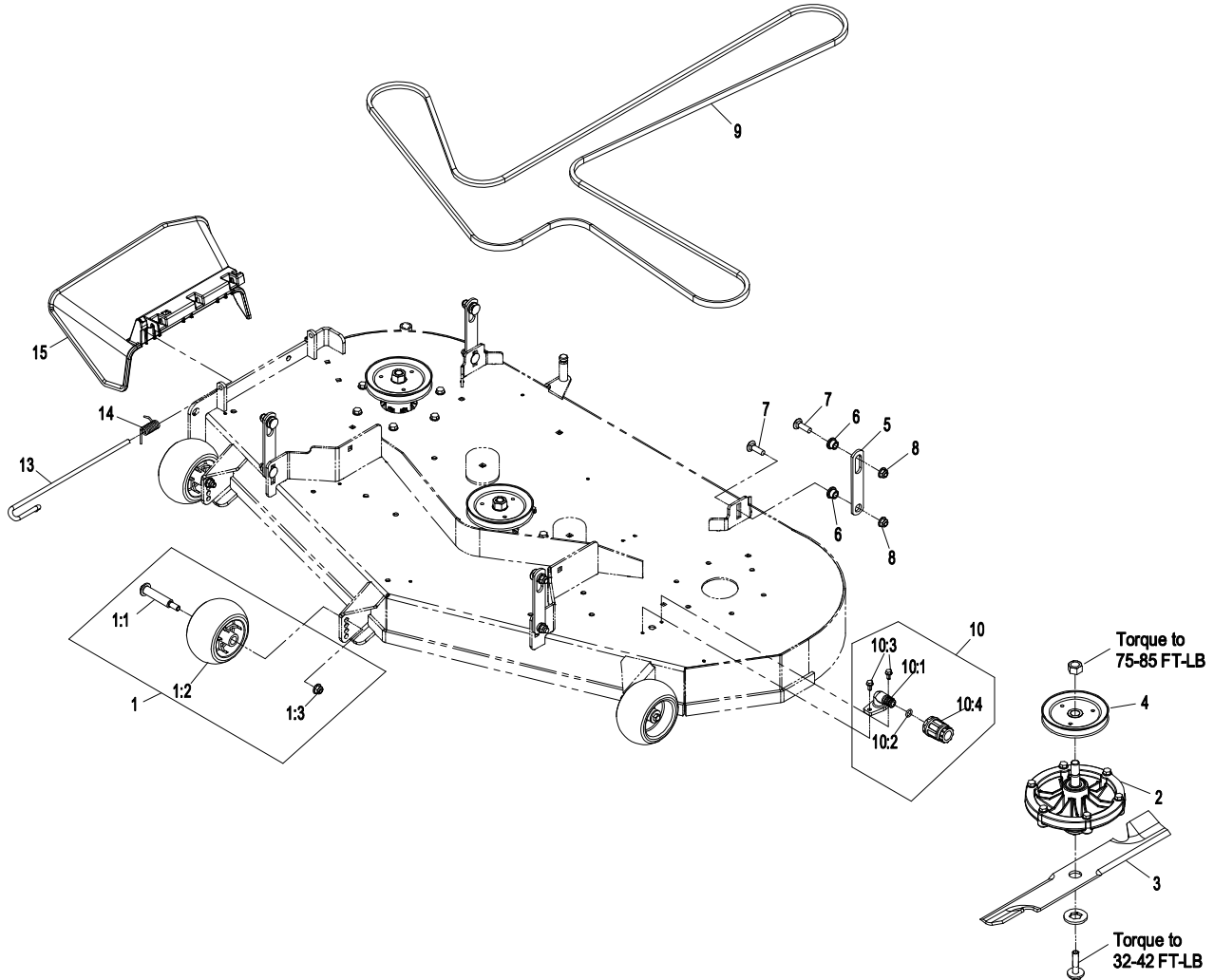
Item	Part No.	Description	Qty.
18	3230-23	Bolt, Carriage 5/16-18 x 3/4, short neck	6
19	109-5667	Ring, Bolt Retaining	4
20	104-8300	Nut, Nyloc 5/16-18 Flg	12
21	109-5498-03	Baffle, Discharge.....	1
22	322-2	Screw, HH 5/16-18 x 5/8.....	6
23	110-6691	Decal, Danger	2
24	109-6459	Decal, Warning, Belt Shield	2
25	109-6033	Decal, Deck 52.....	1
26	109-6035	Decal, Belt Routing	1
27	109-6036	Decal, Roller, Anti-Scalp	1
28	93-7009	Decal, Danger, Deflector.....	1
30	109-9159	Decal, Hole Cover	3
31	1-303520	Decal, Trivantage	1
32	116-0533	Decal, Blade Torque	1
33	114-0463	Washer, Friction, Composite.....	2
▲	109-8746	Asm, 52 Deck Complete (Red)	1
▲	116-0556	Asm, 52" Deck Complete (Black)	1

Exmark black touch up spray paint – gloss black.

Exmark red touch up paint (spray paint - P/N 1-850337 - .6 oz liquid bottle - P/N 103-9140).

▲ Includes all item shown on pages 7, 8 & 9. Does not include struts or strut hardware.

52" DECK GROUP (cont.)



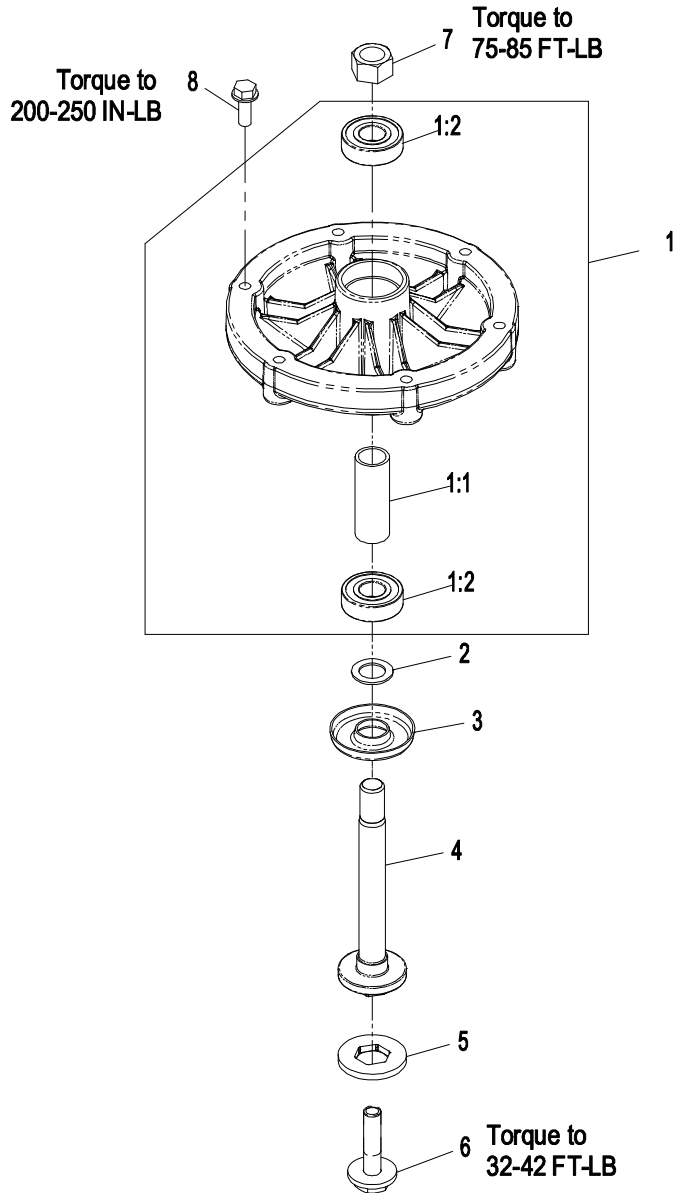
Item	Part No.	Description	Qty.
1	109-6388	Kit, Anti-Scalp Roller	3
1:1	112-3977	Bolt, Shoulder.....	1
1:2	1-603299	Roller, Anti-Scalp.....	1
1:3	104-8301	Nut, Nyloc 3/8-16 Flg.....	1
2	109-8744	Asm, Cutter Housing Complete.....	3
3	103-6402	Blade, Notched 18.0.....	3
■	109-6390	Blade, Mulch.....	3
	109-6392	Blade, High Lift.....	3
4+	109-3671	Sheave, Blade Drive.....	3
5	109-3410	Hanger, Deck	4
6	109-8788	Bushing, Flanged	8

Item	Part No.	Description	Qty.
7	3231-25	Bolt, Carriage 3/8-16 x 1 1/4	8
8	104-8301	Nut, Nyloc 3/8-16 Flg	8
9	109-3661	Belt	1
10	109-6393	Kit, Washout Port	1
10:1	95-2747	Fitting, Washout Port	1
10:2	46-6290	O-Ring.....	1
10:3	93-6083	Screw, HWH 1/2-20 x 1/2 Taptite	2
10:4	95-3270	Connector, Hose	1
13	109-8854	Pin, Chute	1
14	109-6886	Spring.....	1
15	109-5151	Chute, Deflector	1

Exmark red touch up paint (spray paint - P/N 1-850337 - .6 oz liquid bottle - P/N 103-9140).

- + Apply Mobil HTS grease (P/N 103-5217 1.5 oz packet) (or a food-grade anti-seize) between the spindles & sheaves. DO NOT use a copper or nickel based anti-seize.
- Requires installation of Micro-Mulch accessory for proper mulching. Mulch kit P/N 109-5982.

CUTTER HOUSING ASSEMBLY – 109-8744

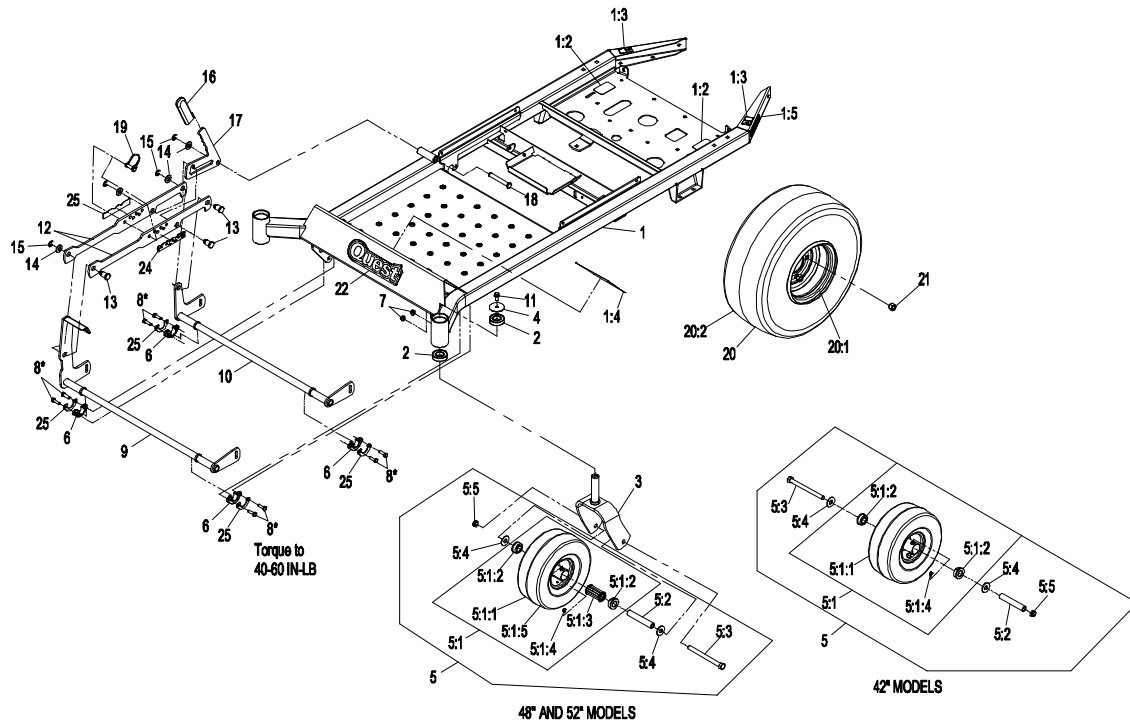


Item	Part No.	Description	Qty.
1	109-9380	Asm, Cutter Housing	1
1:1	62-3661	Spacer, Bearing.....	1
1:2+	109-9379	Bearing, Ball	2
2	80-4380	Spacer	1
3	80-4360	Shield, Bearing	1

Item	Part No.	Description	Qty.
4	109-7431	Spindle, Hex Pilot.....	1
5	109-7429	Washer, Blade Drive	1
6	116-0005	Bolt, Sems Blade	1
7	3219-6	Nut, Hex 5/8-18	1
8	32144-41	Screw, HWH 3/8-16 x 7/8 Taptite	6

✦ Apply Mobil HTS grease (P/N 103-5217 1.5 oz packet) (or a food-grade anti-seize) between the spindle & bearings. DO NOT use a copper or nickel based anti-seize.

FRAME GROUP



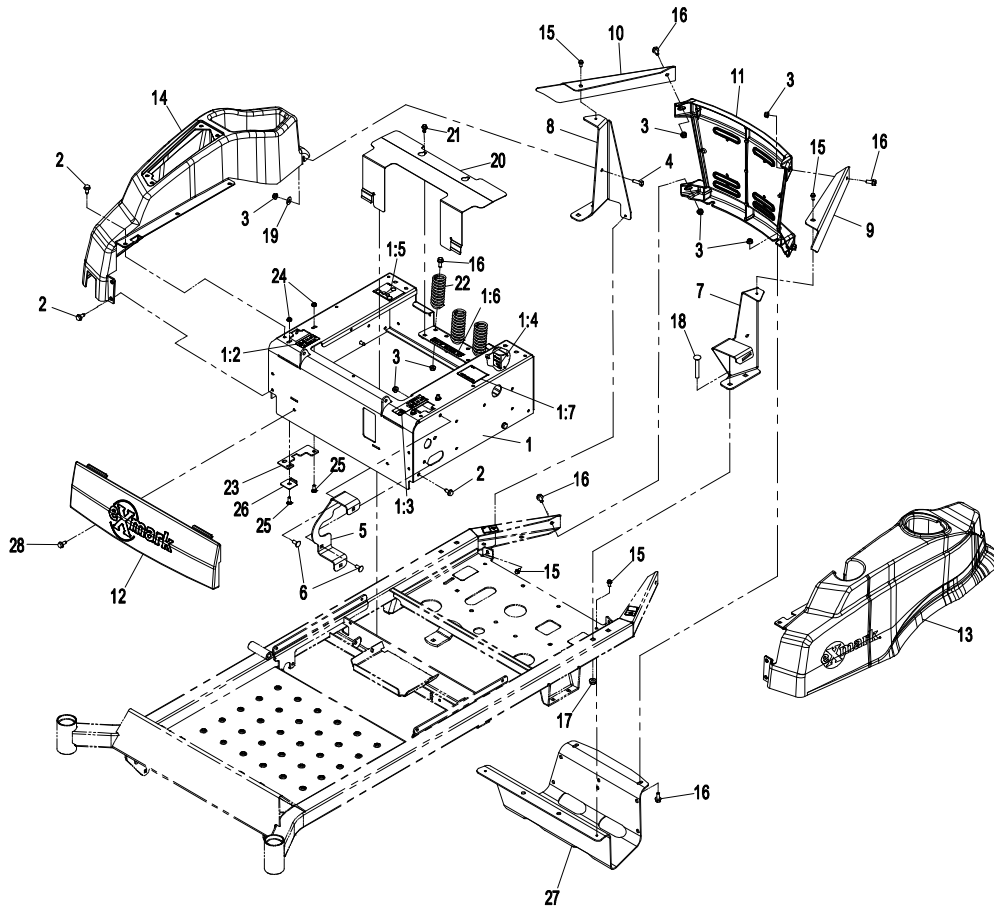
Item	Part No.	Description	Qty.
1	116-0727	Asm, Frame W/ Decal (42").....	1
	109-8825	Asm, Frame W/ Decal (Red)	1
	116-0546	Asm, Frame W/ Decal (Black)	1
1:2	109-6008	Decal, Drive Release.....	2
1:3	106-5517	Decal, Surface, Hot	2
1:4	109-8965	Decal, Safety Warning.....	1
1:5	117-2718	Decal, Spark Arrester	1
2	109-3678	Bearing, Ball	4
3	116-0100-01	Wld, Caster Fork (Red)	2
	116-0100-03	Wld, Caster Fork (Black)	2
4	109-3724	Washer	2
5	116-0933	Asm, Caster Wheel Sawtooth	2
	116-0518	Asm, Caster Wheel Smooth	2
5:1	105-3471	Asm, Caster Wheel W/Brgs Sawtooth....	1
	105-1863	Asm, Caster Wheel W/Brgs Smooth	1
5:1:1	105-1943	Tire, Sawtooth (42").....	1
	105-1864	Tire, Smooth (48" & 52").....	1
5:1:2	114-1640	Bearing (42")	2
	62-5580	Bearing (48" & 52").....	2
5:1:3	83-4740	Bearing (48" & 52" Only)	1
5:1:4	302-5	Zerk 1/4-28 Str Thrd Forming.....	1
5:1:5	93-4244	Tube, Inner	1
5:2	104-3667	Spanner, Wheel.....	1
5:3	325-20	Screw, HH 1/2-13 x 6	1
5:4	3256-6	Washer	2
5:5	3296-45	Nut, Nyloc 1/2-13 Thin.....	1
6■	116-3245	Kit, Bearing & Gusset	4
7	104-8300	Nut, Nyloc 5/16-18 Flg.....	8

Item	Part No.	Description	Qty.
8*	322-5	Screw, HH 5/16-18 x 1.....	8
9	116-0183-01	Wld, Shaft Front (Red).....	1
	116-0183-03	Wld, Shaft Front (Black).....	1
10	116-0182-01	Wld, Shaft Rear (Red)	1
	116-0182-03	Wld, Shaft Rear (Black)	1
11	3234-5	Screw, HH FLG 5/16-18 x 3/4.....	1
12	116-0145-01	Link (Red)	2
	116-0145-03	Link (Black)	2
13	116-0143	Pin.....	3
14	3256-26	Washer, 1/2 SAE	4
15	32120-47	Ring, Retaining	4
16	1-633268	Grip, Brake Lever.....	1
17	116-0144	Lever.....	1
18	109-6172	Pin, Clevis.....	1
19	116-0146	Pin, Spring	1
20	109-5486	Asm, Wheel And Tire (42" & 48").....	2
	109-5268	Asm, Wheel And Tire (52")	2
20:1	109-5487	Wheel (42" & 48")	1
	109-5270	Wheel (52")	1
20:2	109-5488	Tire, 20 X 8-8 (42" & 48").....	1
	109-5269	Tire, 20 X 10-8 (52")	1
21	242-50	Nut, Lug 1/2-20	4
22	109-6280	Decal, Quest Logo	1
	116-0607	Decal, Quest Realtree	1
23	116-0581	Decal, Height Of Cut.....	1
24	116-0551	Decal, Height Of Cut.....	1
25	116-3230	Gusset, Deck Lift	4

Exmark black touch up spray paint – gloss black.
 Exmark red touch up paint (spray paint -
 P/N 1-850337 - .6 oz liquid bottle - P/N 103-9140).

* Torque to 40-60 in-lbs.
 ■ Includes item 25.

FRAME GROUP (cont.)



Item	Part No.	Description	Qty.
1■	116-1911	Asm, Seat Box W/ Decals	1
1:2	109-9182	Decal, Control, Motion	1
1:3	109-9173	Decal, Control/Brake	1
1:4	109-9120	Decal, Fuse Block	1
1:5	109-6014	Decal, Belt Routing.....	1
1:6	109-6210	Decal, Danger	1
1:7	116-0531	Decal, Engine RPM	1
2	32144-70	Screw, HWH 5/16-18 x 3/4 TF	14
3	104-8300	Nut, Nyloc 5/16-18 Flg.....	12
4	322-5	Screw, HH 5/16-18 x 1	2
5	109-6045-03	Bracket, Tank Mount	1
6	3230-23	Bolt, Carriage 5/16-18 x 3/4, short neck	2
7	109-6867-01	Bracket, Rear Tank (LH) (Red)	1
	109-6867-03	Bracket, Rear Tank (LH) (Black)	1
8	109-3406-01	Bracket, RH Rear Console (Red)	1
	109-3406-03	Bracket, RH Rear Console (Black).....	1
9	109-3381-01	Guard, Engine (LH) (Red)	1
	109-3381-03	Guard, Engine (LH) (Black)	1
10	109-3391-01	Guard, Engine (RH) (Red).....	1
	109-3391-03	Guard, Engine (RH) (Black)	1
11	109-5363-01	Guard, Rear (Red).....	1
	109-5363-03	Guard, Rear (Black)	1

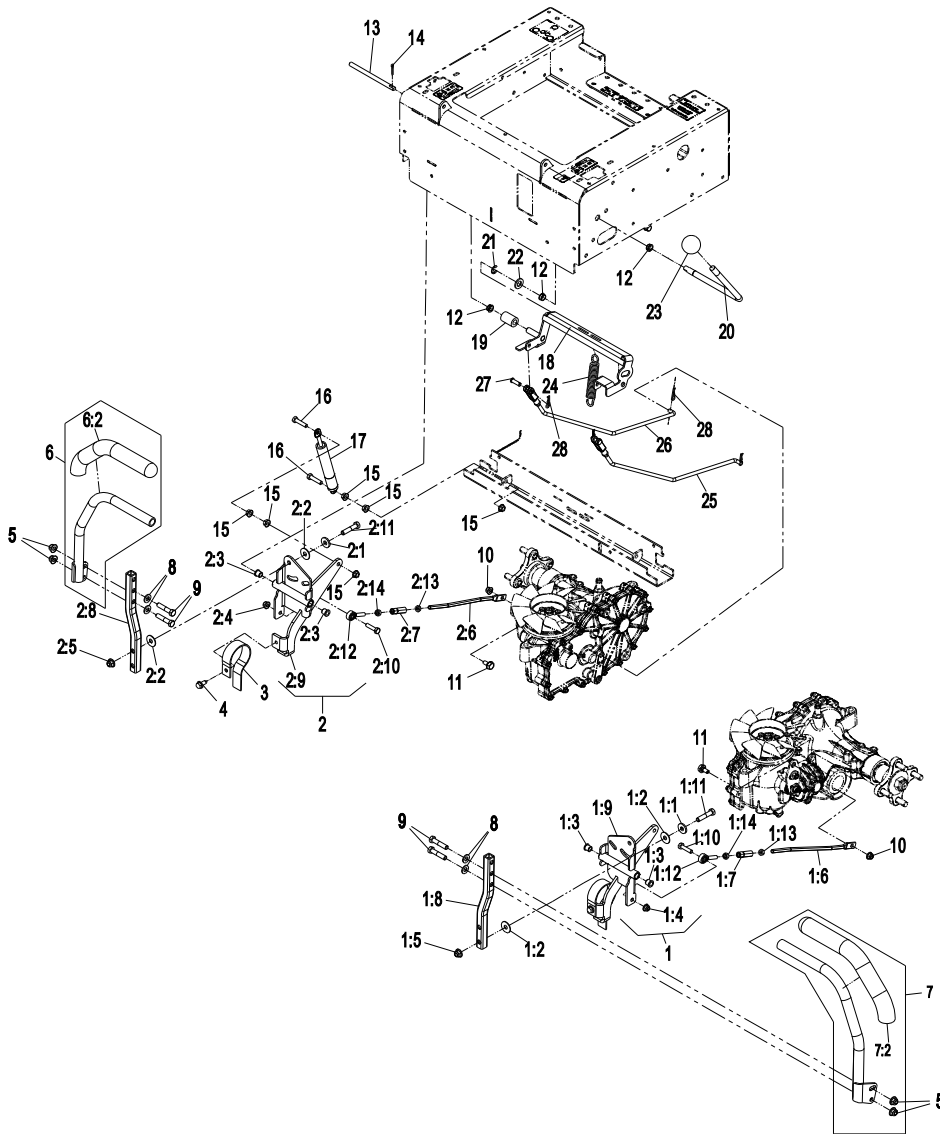
Item	Part No.	Description	Qty.
12	109-3709	Panel, Front Exmark	1
	116-0550	Panel, Front Realtree.....	1
13	116-0828	Fender, Exmark (LH)	1
	116-0548	Fender, Realtree (LH).....	1
14	116-0829	Fender, Exmark (RH).....	1
	116-0549	Fender, Realtree (RH)	1
15	9266714	Screw, HWH 1/4-20 x .50	6
16	3234-5	Screw, HH FLG 5/16-18 x 3/4.....	9
17	104-8301	Nut, Nyloc 3/8-16 Flg	4
18	3231-9	Bolt, Carriage 3/8-16 x 2 3/4.....	4
19	3256-3	Washer, 5/16 Std	2
20	109-6190-03	Cover, Hydro Fan	1
21	99-6810	Screw, HH 1/4-20 x 5/8.....	2
22	92-7054	Spring-Compression	3
23	116-0834	Plate, Neutral Adjuster.....	2
24	104-7201	Nut, Nyloc 1/4-20 Flg	4
25	1-807512	Bolt, Carriage 1/4-20 x 3/4, short neck	4
26	116-0835	Plate, Tracking	2
27	114-1658-03	Guard, Muffler.....	1
28	9266934	Screw, HWH 5/16 x 1/2 TF (48" & 52")...2	2

Exmark black touch up spray paint – gloss black.

Exmark red touch up paint (spray paint - P/N 1-850337 - .6 oz liquid bottle - P/N 103-9140).

■ Includes items 23-26; does not include item 1:7.

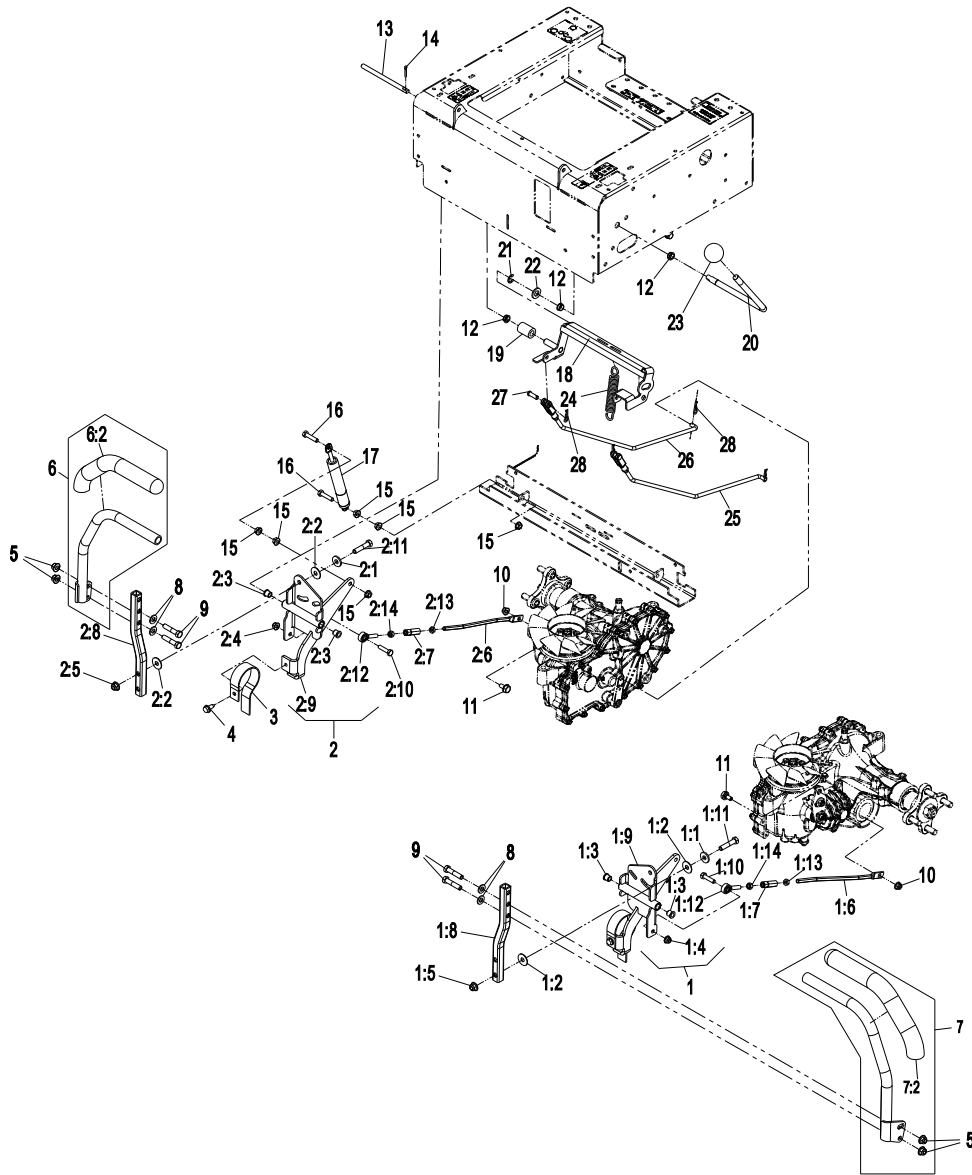
MOTION CONTROL GROUP



Item	Part No.	Description	Qty.
1		Asm, Motion Control LH	1
1:1	5-0838	Washer	2
1:2	52-2900	Washer-Poly	4
1:3	103-9928	Bearing, Igus	2
1:4	104-8300	Nut, Nyloc 5/16-18 Flg.....	1
1:5	104-8301	Nut, Nyloc 3/8-16 Flg.....	2
1:6	109-3414	Rod, Steering	1
1:7	109-3728	Nut, Rod Adjustment	1
1:8	116-0150	Tube, Motion Control.....	1
1:9	116-0154	Wld, Motion Control LH	1
1:10	322-6	Screw, HH 5/16-18 x 1 1/4	1
1:11	323-9	Screw, HH 3/8-16 x 1 3/4	2
1:12	2411-53	Balljoint LH	1
1:13	3220-2	Nut, Jam 5/16-24.....	1
1:14	3220-20	Nut, Jam 5/16-24.....	1
2		Asm, Motion Control RH.....	1
2:1	5-0838	Washer	2

Item	Part No.	Description	Qty.
2:2	52-2900	Washer-Poly.....	4
2:3	103-9928	Bearing, Igus.....	2
2:4	104-8300	Nut, Nyloc 5/16-18 Flg	1
2:5	104-8301	Nut, Nyloc 3/8-16 Flg	2
2:6	109-3414	Rod, Steering	1
2:7	109-3728	Nut, Rod Adjustment	1
2:8	116-0150	Tube, Motion Control	1
2:9	116-0153	Wld, Motion Control RH	1
2:10	322-6	Screw, HH 5/16-18 x 1 1/4.....	1
2:11	323-9	Screw, HH 3/8-16 x 1 3/4.....	2
2:12	2411-53	Balljoint LH.....	1
2:13	3220-2	Nut, Jam 5/16-24	1
2:14	3220-20	Nut, Jam 5/16-24	1
3	109-5575	Spring, Leaf Rtn	2
4	32144-70	Screw, HWH 5/16-18 x 3/4 TF	2
5	104-8301	Nut, Nyloc 3/8-16 Flg	4

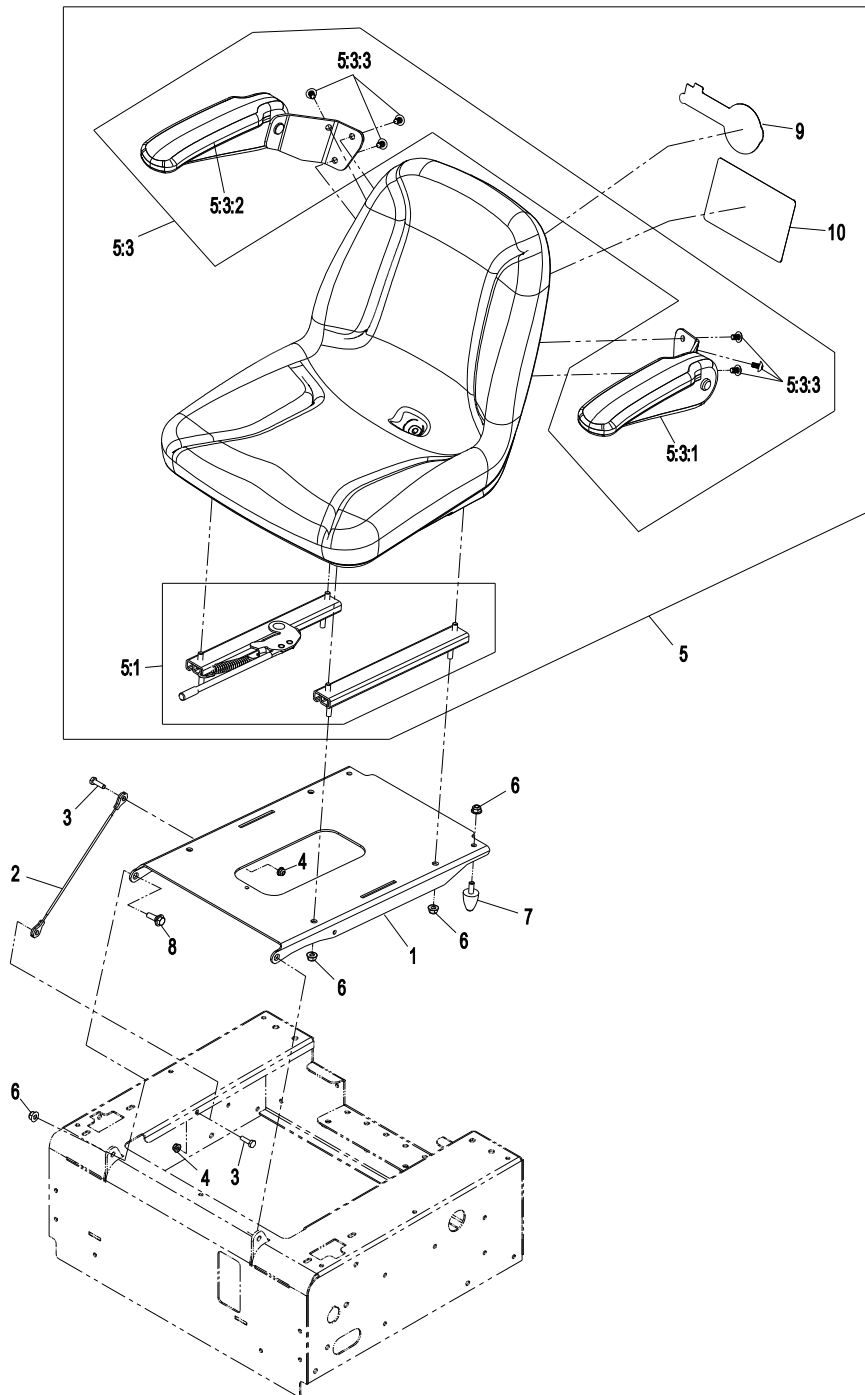
MOTION CONTROL GROUP (cont.)



Item	Part No.	Description	Qty.
6	117-5339	Handle Asm, RH.....	1
	108-6187	Grip, Control Lever.....	1
7	117-5338	Handle Asm, LH.....	1
	108-6187	Grip, Control Lever.....	1
8	3256-24	Washer, 3/8 SAE.....	4
9	323-9	Screw, HH 3/8-16 x 1 3/4.....	4
10	104-8300	Nut, Nyloc 5/16-18 Flg.....	2
11	37-8771	Screw, Shoulder 5/16-18 x 5/8.....	2
12	116-1393	Bushing, Snap.....	3
13	109-3705	Pin-Control Pivot.....	2
14	3272-10	Pin, Cotter 1/8 x 3/4.....	2
15	32128-20	Nut, Whizlock 5/16-18.....	12
16	1-403180	Screw, HH 5/16-18 x 1 1/4 Sp.....	4

Item	Part No.	Description	Qty.
17	109-5957	Damper, Motion Control.....	2
18	116-1177	Wld, Brake Center Arm.....	1
19	109-5010	Spacer.....	1
20	116-1169	Handle, Brake.....	1
21	32120-47	Ring, Retaining.....	1
22	106-9888	Washer-Flat.....	1
23	233-48	Knob.....	1
24	88-6130	Spring-Deck, Engagement.....	1
25	116-1840	Asm, Brake Linkage LH.....	1
26	116-1841	Asm, Brake Linkage RH.....	1
27	1-808280	Pin, Clevis 5/16 x 1 49/64.....	2
28	1-806003	Hairpin, Cotter.....	4

SEAT GROUP – 48” & 52”

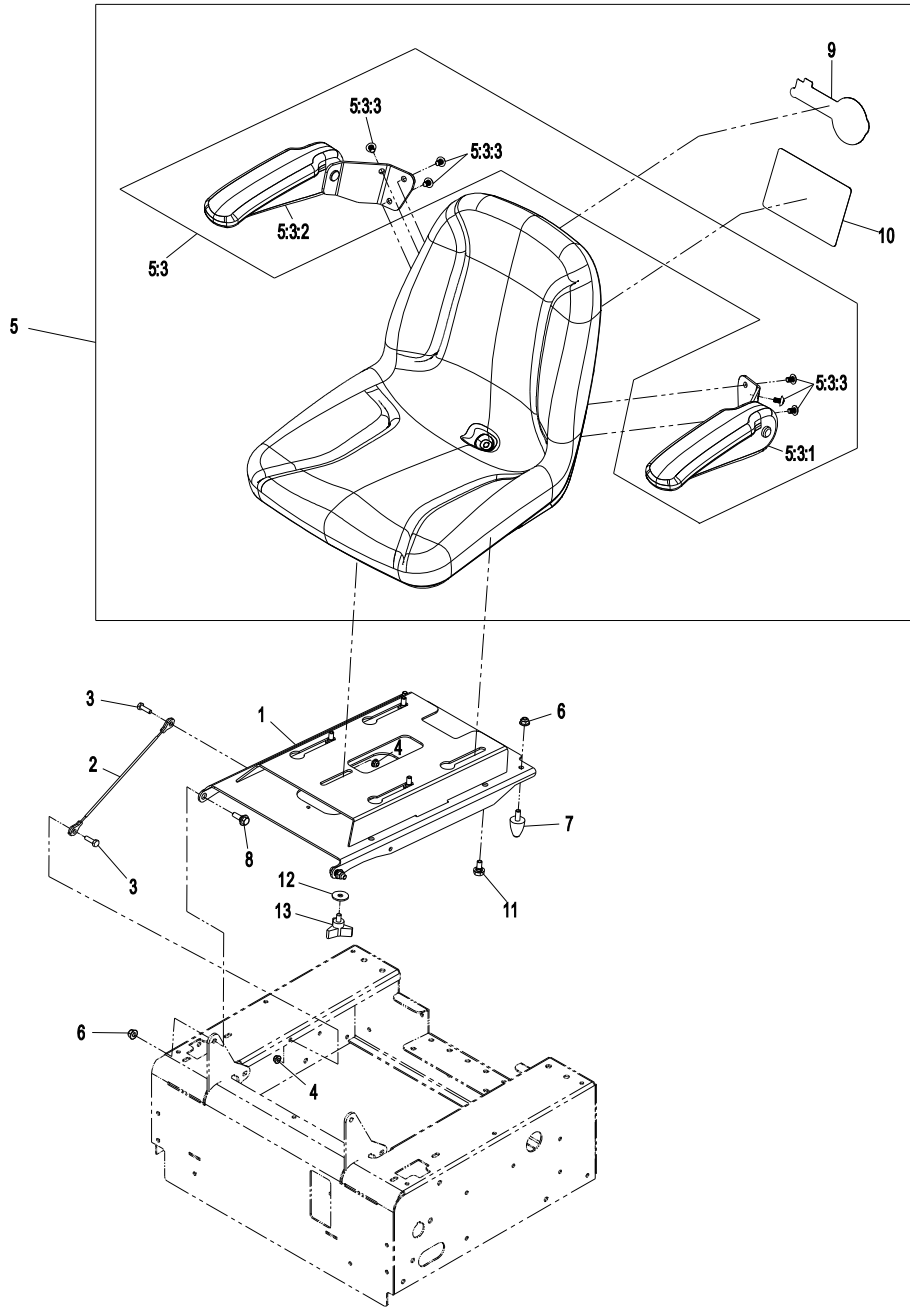


Item	Part No.	Description	Qty.
1	116-1732-03	Plate, Seat	1
2	109-2628	Cable-Stop, Seat	1
3	321-5	Screw, HH 1/4-20 x 7/8	2
4	104-7201	Nut, Nyloc 1/4-20 Flg.....	2
5	116-2377	Asm, Seat W/Decals	1
5:1	107-1880	Kit, Seat Tracks	1
5:3	108-6163	Armrest Kit.....	1
5:3:1	110-6569	LH Armrest Kit	1

Item	Part No.	Description	Qty.
5:3:2	110-6570	RH Armrest Kit	1
5:3:3	108-6179	Screw, Button Head 5/16-18 x 1/2	6
6	104-8300	Nut, Nyloc 5/16-18 Flg	8
7	103-9376	Bumper-Seat	2
8	27-0410	Screw, Shoulder 5/16-18 x 1 Sp	2
9	103-3999	Decal, Exmark Logo.....	1
10	116-2321	Decal, Service Aid.....	1

Exmark black touch up spray paint – gloss black.

SEAT GROUP – 42”

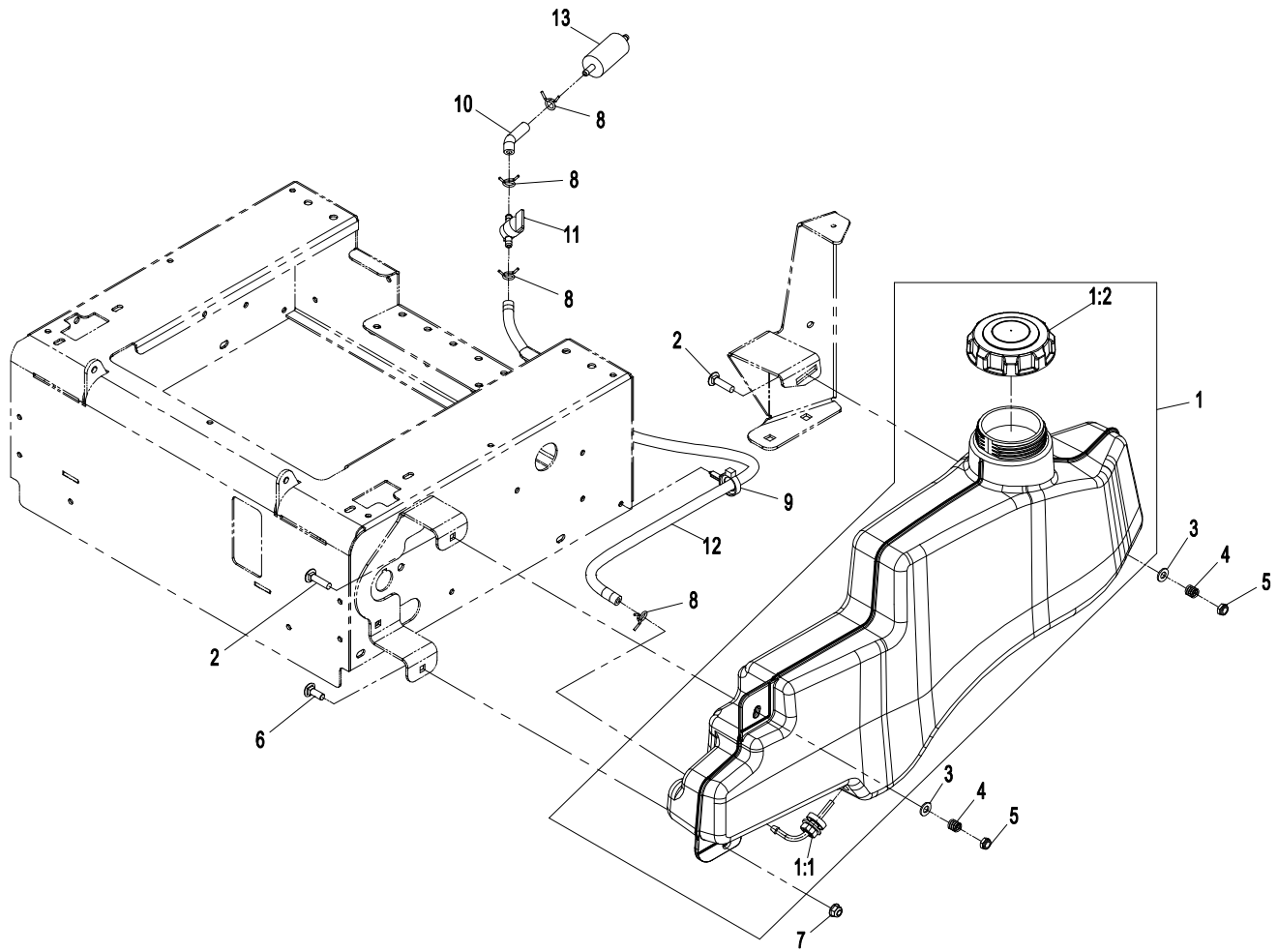


Item	Part No.	Description	Qty.
1	116-1734-03	Plate, Seat Pan	1
2	109-2628	Cable	1
3	321-5	Screw, HH 1/4-20 x 7/8	2
4	104-7201	Nut, Nyloc 1/4-20 Flg.....	2
5	116-2376	Seat Asm.....	1
5:3	108-6163	Kit, Armrest.....	1
5:3:1	110-6569	Kit, Armrest LH	1
5:3:2	110-6570	Kit, Armrest RH	1
5:3:3	108-6179	Screw, Button Head 5/16-18 x 1/2	6

Item	Part No.	Description	Qty.
6	104-8300	Nut, Nyloc 5/16-18 Flg	4
7	103-9376	Bumper, Seat	2
8	27-0410	Screw, Shoulder 5/16-18 x 1 Sp	2
9	103-3999	Decal, Exmark Logo.....	1
10	116-2321	Decal, Service Aid.....	1
11	37-8771	Screw, Shoulder 5/16-18 x 5/8.....	4
12	5-4460	Washer-Pivot.....	1
13	92-9674	Knob.....	1

Exmark black touch up spray paint – gloss black.

FUEL GROUP

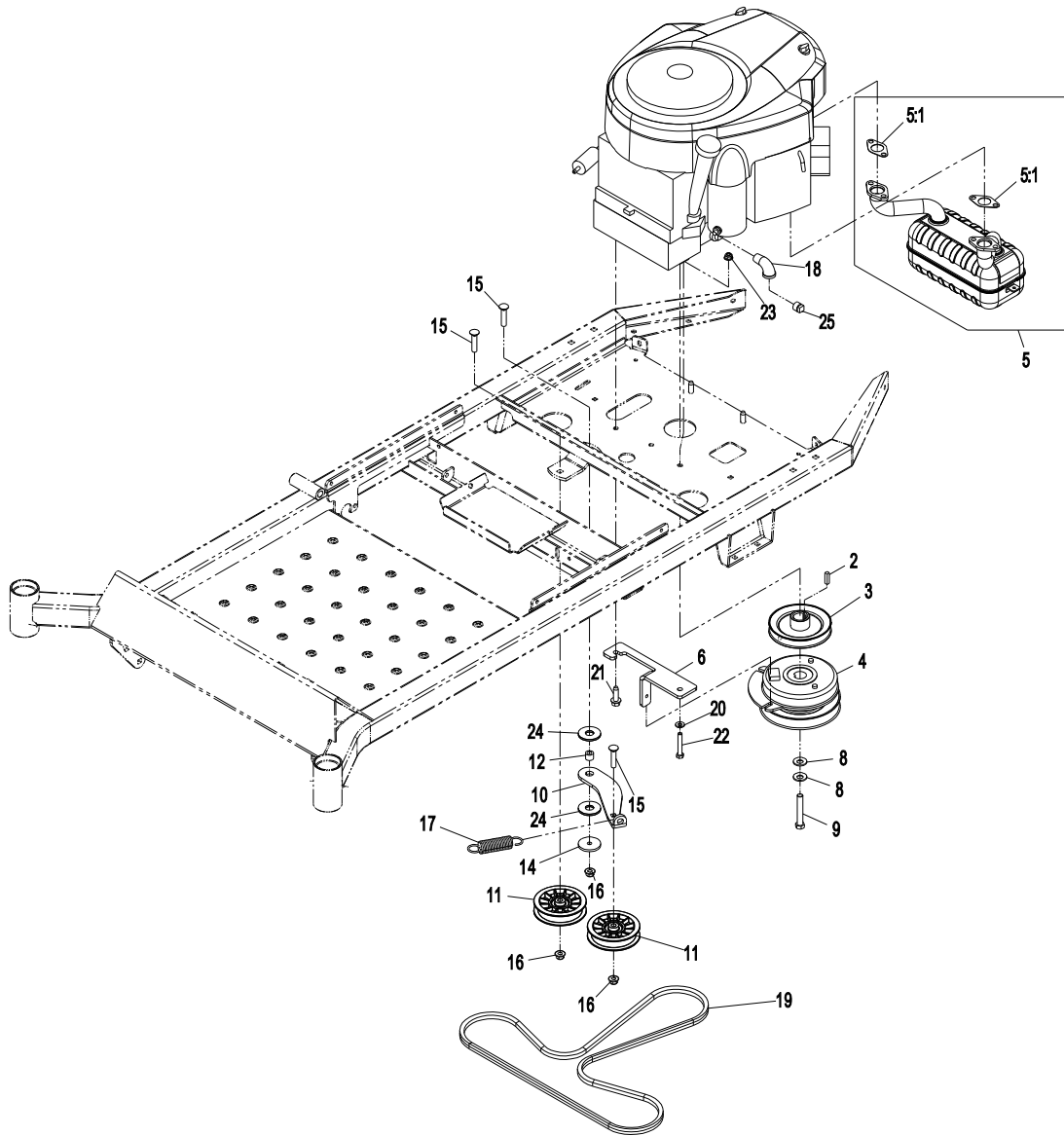


Item	Part No.	Description	Qty.
1	109-5510	Asm, Fuel Tank	1
1:1	103-2605	Fitting, Fuel Bulkhead W/Strainer.....	1
	103-2784	O-Ring	1
1:2	109-0346	Cap, Fuel.....	1
2	3230-3	Bolt, Carriage 5/16-18 x 1 1/4	2
3	3256-23	Washer, 5/16 SAE	2
4	1-633349	Spring, Compression.....	2
5	3296-47	Nut, Nyloc 5/16-18 Thin.....	2

Item	Part No.	Description	Qty.
6	3230-16	Bolt, Carriage 5/16-18 x 7/8	1
7	104-8300	Nut, Nyloc 5/16-18 Flg	1
8	1-303077	Clamp, Fuel Line.....	4
9	105-1853	Clamp, Fuel Line.....	1
10	109-0304	Hose, Fuel Line 2 1/2".....	1
11	1-603770	Valve, Fuel	1
12	109-0286	Hose, Fuel Line 35".....	1
13	Briggs & Stratton Part No. 695666	Fuel Filter	1

◆ Refer to Engine Owner's manual. (Fuel filter **Must** be 30 Micron).

ENGINE GROUP



Item	Part No.	Description	Qty.
2	5-7280	Key, Machine 1/4 SQ x 1.....	1
3	109-3386	Sheave, Split Steel.....	1
4	104-3334	Clutch, Electric (42").....	1
	110-6766	Clutch, Electric (48 & 52").....	1
5	109-8851	Muffler Asm (W/ Gaskets).....	1
5:1	104-3226	Gasket.....	2
6	109-8855-03	Anchor, Clutch.....	1
8	1-603610	Washer, Spring Disc 7/16.....	2
9	3212-11	Screw, HH 7/16-20 x 2 3/4.....	1
10	116-1865-03	Arm, Drive Idler.....	1
11	109-3397	Pulley, Idler Flat.....	2
12	1-413088	Spacer.....	1

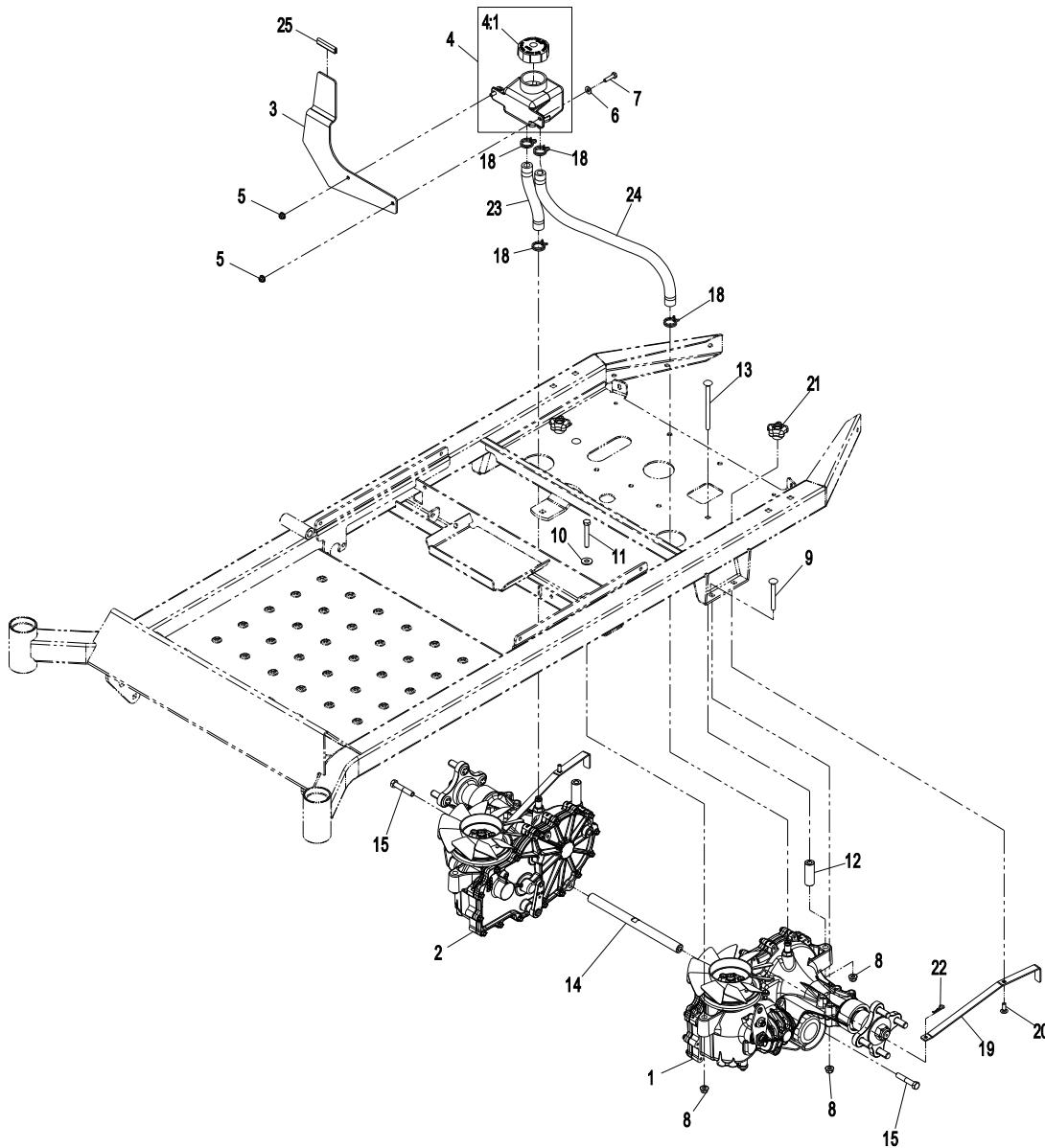
Item	Part No.	Description	Qty.
14	110-9981	Spacer.....	1
15	3231-5	Bolt, Carriage 3/8-16 x 1 3/4.....	3
16	104-8301	Nut, Nyloc 3/8-16 Fig.....	3
17	1-603402	Spring, Extension.....	1
18▼	1-403124	Elbow, 90°.....	1
19	115-9613	V-Belt.....	1
20	1-303334	Washer, Spring Disc 5/16.....	1
21◆	32144-109	Screw, HWH 3/8-16 x 1 1/4 Taptite.....	3
22	322-10	Screw, HH 5/16-18 x 2.....	1
23	104-8300	Nut, Nyloc 5/16-18 Fig.....	1
24	114-0463	Washer-Friction, Composite.....	2
25▼	281-2	Plug, Pipe.....	1

Exmark black touch up spray paint – gloss black.

▼ Use a Teflon Pipe Sealant or equivalent on threads.

◆ Use Pro-Lock, Nut Type (P/N 1-840022, .5ml tube) on clutch bolt and self-tapping engine mounting bolts.

TRANSAXLE GROUP



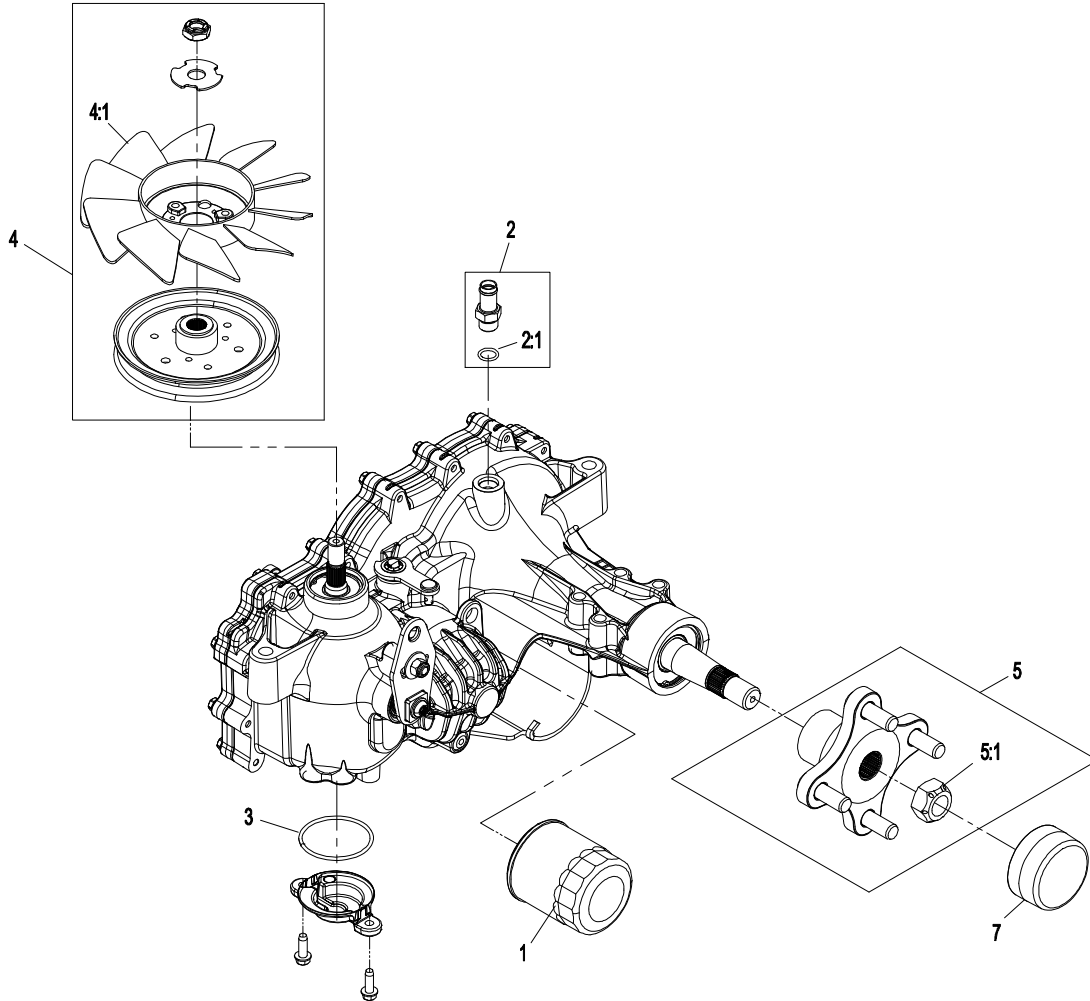
Item	Part No.	Description	Qty.
1	116-0131	Asm, Transaxle (LH) (42")	1
	116-0524	Asm, Transaxle (LH) (48" & 52")	1
2	116-0132	Asm, Transaxle (RH) (42")	1
	116-0525	Asm, Transaxle (RH) (48" & 52")	1
3	109-6570-03	Bracket, Fender Support	1
4	109-2250	Tank, Hydraulic	1
4:1	109-3320	Cap, Hydraulic Reservoir	1
5	104-7201	Nut, Nyloc 1/4-20 Flg.	2
6	3256-22	Washer, 1/4 SAE	2
7	321-6	Screw, HH 1/4-20 x 1	2
8	104-8300	Nut, Nyloc 5/16-18 Flg.	8
9	3230-9	Bolt, Carriage 5/16-18 x 2 3/4	4
10	3256-3	Washer, 5/16 Std.	2

Item	Part No.	Description	Qty.
11	322-11	Screw, HH 5/16-18 x 2 1/4	2
12	109-3652	Spacer, Hydro	2
13	3230-30	Bolt, Carriage 5/16-18 x 4 1/2	2
14	116-2052	Shaft, Spacer	1
15◆	323-10	Screw, HH 3/8-16 x 2	2
18	109-3322	Clamp, Hose	4
19	109-5395	Arm-Hydro Bypass	2
20	3229-1	Bolt, Carriage 1/4-20 x 3/4	2
21	108-6402	Knob, Handle	2
22	1-806003	Hairpin, Cotter	2
23	109-5577	Hose, Hydraulic	1
24	109-5578	Hose, Hydraulic	1
25	109-2985	Trim	1

Exmark black touch up spray paint – gloss black.

◆ Use Pro-Lock, Nut Type (P/N 1-840022, .5ml tube) on hydro spacer bolts.

TRANSAXLE ASSEMBLY



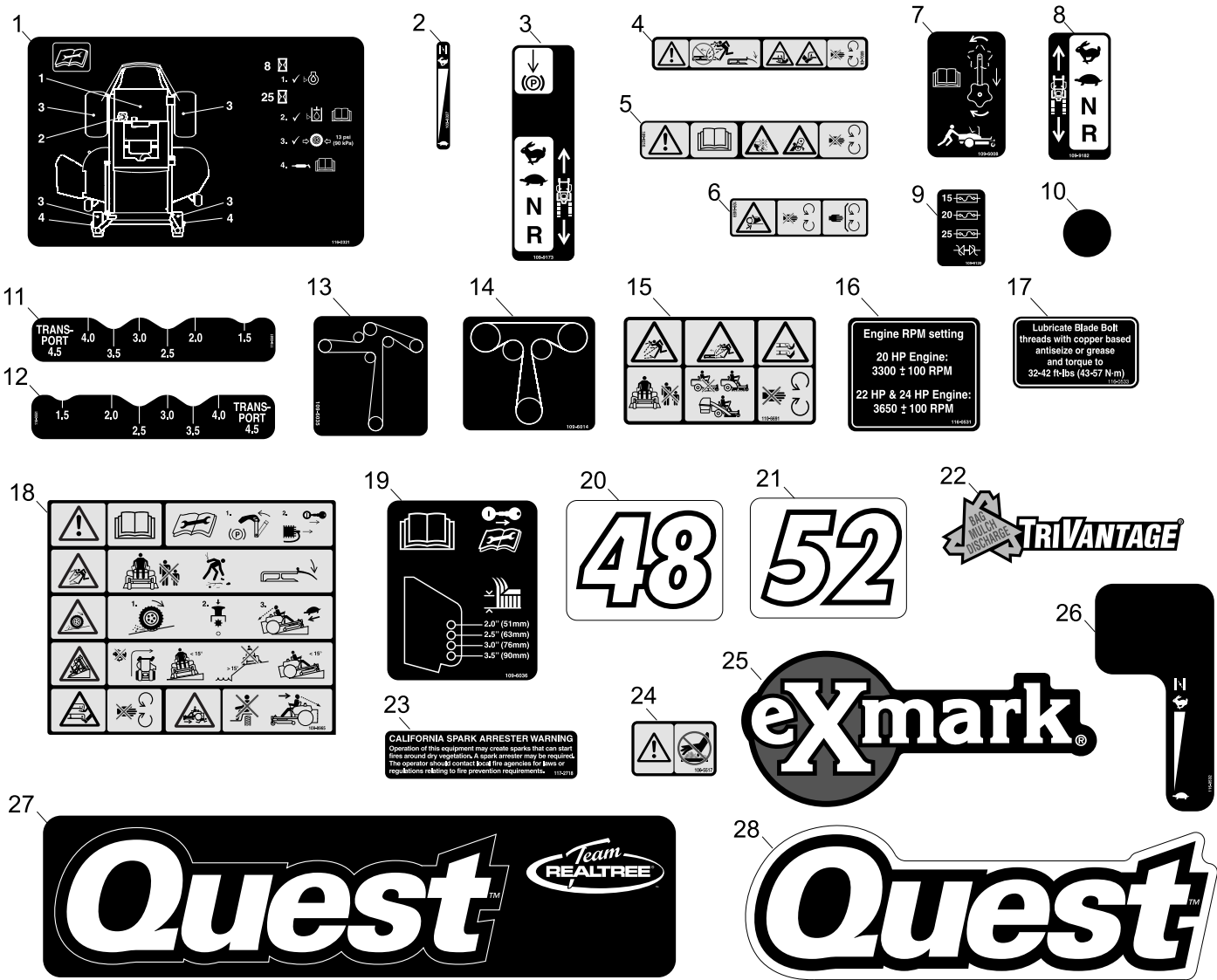
Item	Part No.	Description	Qty.
1	109-3321	Filter, Hydraulic	1
2	109-3278	Adapter, Straight	1
2:1	1-603921	O-Ring, SAE #6	1
3	109-3540	O-Ring, Charge Seal Cover (48" & 52" Only)	1
4	109-5938	Kit, Fan And Pulley	1

Item	Part No.	Description	Qty.
4:1	114-8453	Fan, Hydro	1
5	109-5939	Kit, Hub	1
5:1	109-3536	Nut, Hub	1
6■	109-3537	Kit, Complete Seal	1
7	115-5057	Cover, Nut	1

Note: The above numbers can be used on both right and left hand transaxle assemblies.

■ Not shown

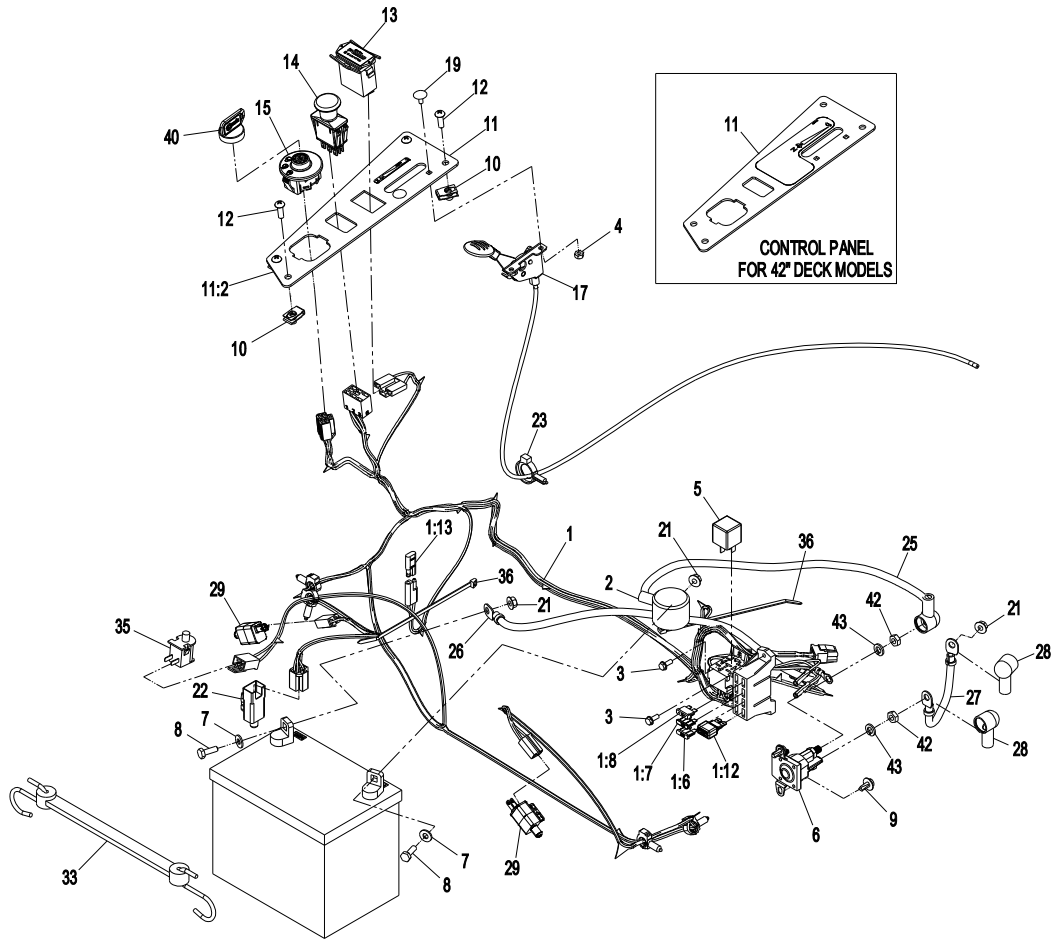
DECAL GROUP



Item	Part No.	Description	Qty.
1	116-2321	Decal, Service Aid.....	1
2	103-6327	Decal, Throttle Choke (48" & 52")	1
3	109-9173	Decal, Control/Brake	1
4	93-7009	Decal, Danger	1
5	109-6210	Decal, Danger	1
6	109-6459	Decal, Belt Shield Warning.....	2
7	109-6008	Decal, Drive Release.....	2
8	109-9182	Decal, Motion Control.....	1
9	109-9120	Decal, Fuse Block	1
10	109-9159	Decal, Hole Cover (48" & 52")	3
11	116-0581	Decal Height of Cut	1
12	116-0551	Decal Height of Cut	1
13	109-6035	Decal, Belt Routing (48" & 52")	1
14	109-6014	Decal, Belt Routing.....	1
15	110-6691	Decal, Danger	2

Item	Part No.	Description	Qty.
16	116-0531	Decal, Engine RPM.....	1
17	116-0533	Decal, Blade Torque	1
18	109-8965	Decal, Safety Warning	1
19	109-6036	Decal, Anti-Scalp Roller	1
20	109-6034	Decal, Deck 48"	1
21	109-6033	Decal, Deck 52"	1
22	1-303520	Decal, Trivantage (48" & 52").....	1
23	117-2718	Decal, Spark Arrester.....	1
24	106-5517	Decal, Hot Surface	2
25	103-3999	Decal, Exmark Logo.....	1
26	116-0532	Decal, Throttle/Choke (42").....	1
27	116-0607	Decal, Quest Realtree	1
28	109-6280	Decal, Quest Logo	1
	116-0530	Decal Kit	

ELECTRICAL GROUP

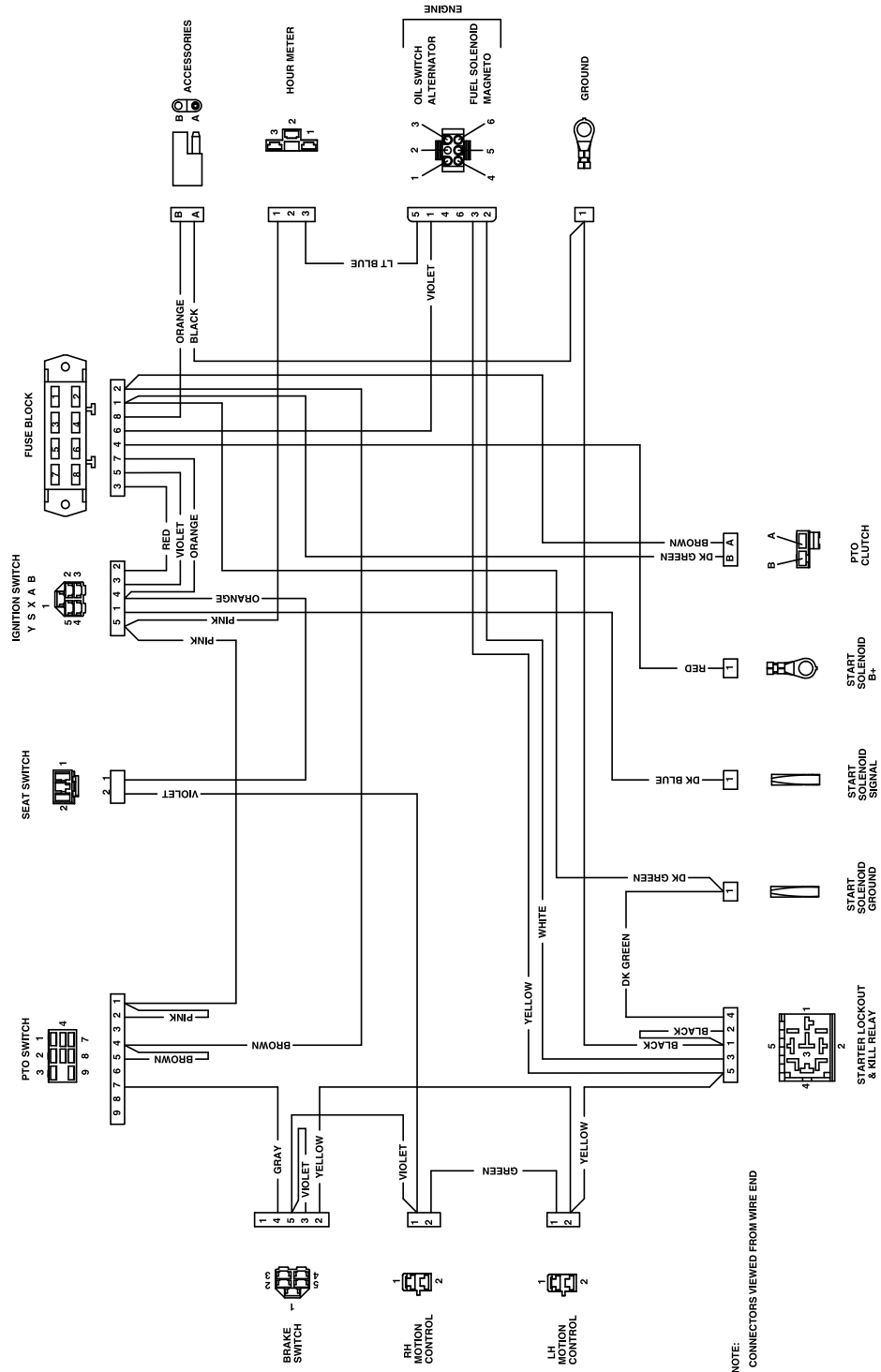


Item	Part No.	Description	Qty.
1♦	116-1897	Asm, Harness	1
1:6	109102	Fuse, 25 Amp.....	1
1:7	1-816001	Fuse, 20 Amp.....	1
1:8	109355	Fuse, 15 Amp.....	1
1:12	109-9186	Diode, TVS.....	1
1:13	116-0053	Cap, Plug	1
2	109-2407	Insulator	1
3	32144-1	Screw, HWH #10-24 x 1/2 Taptite	3
4	3296-2	Nut, Nyloc #10-24	2
5	1-643275	Relay, 12VDC 40 Amp.....	1
6	117-1197	Solenoid, Plastic	1
7	3256-22	Washer, 1/4.....	2
8	321-4	Screw, HH 1/4-20 x 3/4.....	2
9	46-8560	Screw, HHF 1/4-20 X 1/2	2
10	107069	Nut, Retainer-Panel 1/4-20	4
11	116-0734	Asm, Control Panel W/Decal (42").....	1
	116-0527	Asm, Control Panel W/Decal (48" & 52") ..	1
11:2	116-0532	Decal, Throttle/Choke (42").....	1
	103-6327	Decal, Throttle/Choke (48" & 52")	1
12	3258-166	Screw, PPH 1/4-20 x 3/4.....	4
13	1-513374	Meter, Engine Hours.....	1

Item	Part No.	Description	Qty.
14	103-5221	Switch, PTO.....	1
15	117-2221	Switch-Key.....	1
17	116-0528	Control, Throttle.....	1
19	1-807513	Bolt, Carriage #10-24 x 1/2.....	2
21	32128-33	Nut, Whizlock 1/4-20	3
22	99-7408	Switch	1
23	105-1853	Clamp, Hose, Hydro	1
25	109-7653	Asm, Positive Battery Cable	1
26	103-0705	Cable, Ground	1
27	109-9415	Asm, Positive Starter Cable.....	1
28	1-543393	Insulator, Solenoid +.....	3
29	110-6765	Switch-Single, Pole No	2
33	104-2466	Strap-14 In.....	1
35	82-2190	Switch	1
36	614249	Strap, Tie	2
40	103-2106	Key, Exmark Logo	1
	1-603511	Key, Ignition.....	1
41	32180-037	Clip, Harness	1
42	3220-2	Nut, Jam 5/16-24	2
43	3253-4	Washer, Lock 5/16.....	2

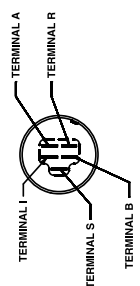
♦ Use dielectric grease on all wiring harness connectors
Exmark black touch up spray paint – gloss black.

ELECTRICAL DIAGRAM



NOTE:
CONNECTORS VIEWED FROM WIRE END

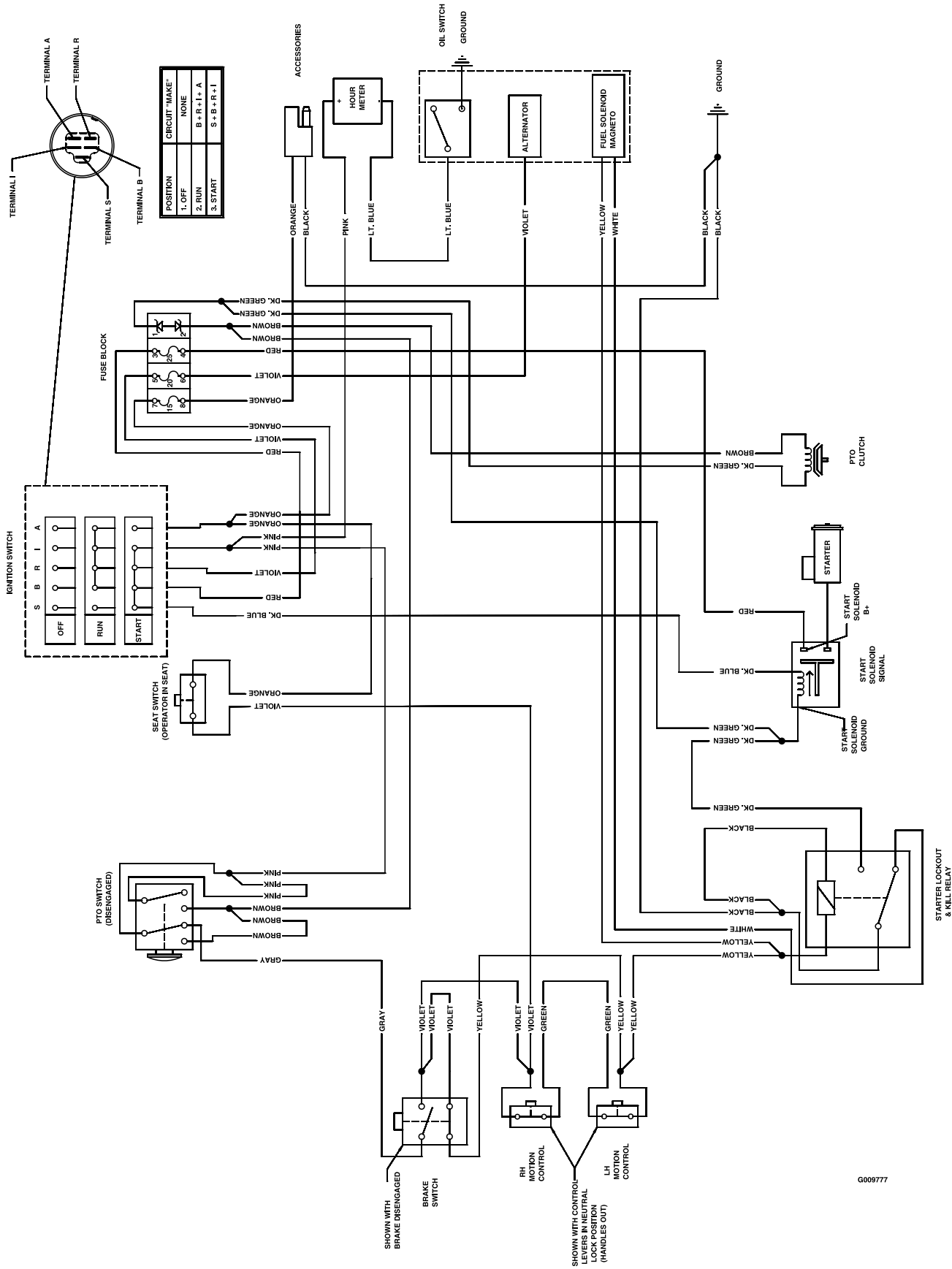
POSITION	CIRCUIT "MAKE"
1. OFF	NONE
2. RUN	B + R + I + A
3. START	B + R + I + S



IGNITION SWITCH CONNECTIONS	
TERMINAL A	ACCESSORY
TERMINAL B	BATTERY
TERMINAL I	IGNITION
TERMINAL S	START
TERMINAL R	RECTIFIER

G009785

ELECTRICAL LOGIC SCHEMATIC



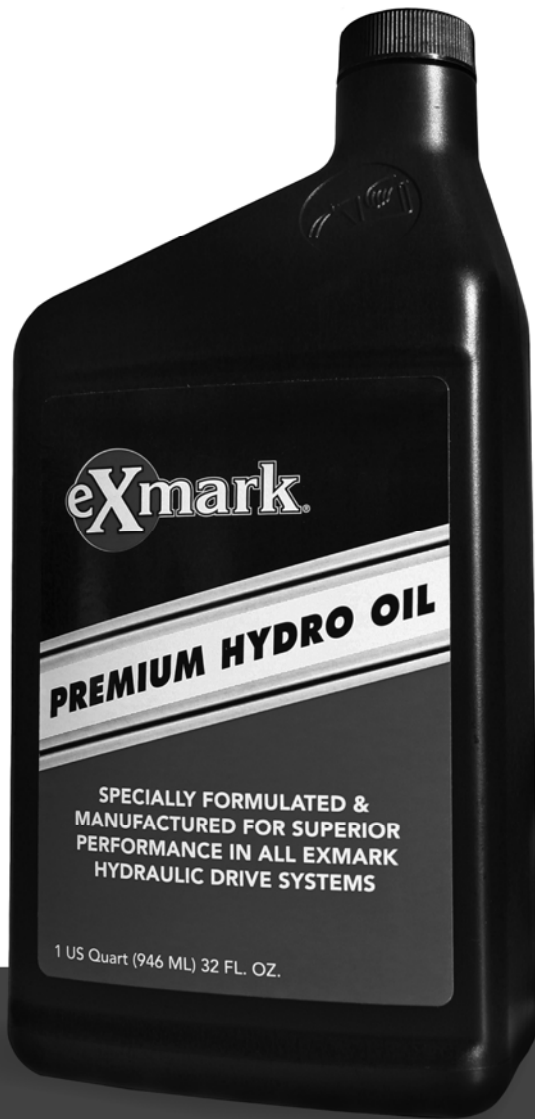
G009777

NOTES

SERVICE RECORD

Date	Description of Work Done	Service Done By

NEW EXMARK PREMIUM HYDRO OIL



BENEFITS

- Designed & manufactured with superior anti-wear protection
- Superior thermal stability
- Consistent hydro performance
- Superior shear resistance under heavy loads
- Field tested & proven performance
- Twice the shear stability of competing oils
- Enhanced control performance
- Specially formulated for any Exmark hydraulic system

**NOW AVAILABLE
FOR PURCHASE**

Part No. 109-9828



SEE EXMARK'S COMPLETE LINE OF ACCESSORIES AND OPTIONS

MID-MOUNT RIDING ACCESSORIES AND OPTIONS

CUSTOM RIDE SEAT SUSPENSION SYSTEM	OPERATOR CONTROLLED DISCHARGE
FULL SUSPENSION SEAT	ROLL OVER PROTECTION SYSTEM (ROPS)
DECK LIFT ASSIST KIT	SUN SHADE
HITCH KIT	TRASH CONTAINER
LIGHT KIT	TURF STRIPER
12V POWER PORT	ULTRA VAC COLLECTION SYSTEM
MICRO-MULCH SYSTEM	ULTRA VAC QUICK DISPOSAL SYSTEM

OUT-FRONT RIDING ACCESSORIES AND OPTIONS

CUSTOM RIDE SEAT SUSPENSION SYSTEM	SNOW BLADE
DUAL-TAIL WHEEL	SNOWBLOWER
FLOOR PAN EXTENDER	SUN SHADE
HITCH KIT	TRASH CONTAINER
LIGHT KIT	ULTRA VAC COLLECTION SYSTEM
MICRO-MULCH SYSTEM	ULTRA VAC QUICK DISPOSAL SYSTEM
ROLL OVER PROTECTION SYSTEM (ROPS)	WEATHER CAB

WALK-BEHIND ACCESSORIES AND OPTIONS

GRASS CATCHER	TURF STRIPER
MICRO-MULCH SYSTEM	STANDON

Place Model No. and Serial No.
Label Here (Included in the Literature
Pack or Fill in Below

Model No. _____

Serial No. _____

Date Purchased _____

Engine Model No. and Spec. No. _____

Engine Serial No. (E/No) _____

© 2011 Exmark Mfg. Co., Inc.
Industrial Park Box 808
Beatrice, NE 68310
All Rights Reserved

Part No. 4500-524 Rev. D
(402) 223-6300
Fax (402) 223-5489
Printed In USA

