



NAVIGATOR®

**For Serial Nos.
850,000 & Higher**
Part No. 4500-629 Rev. A

Parts Manual

EXMARK PARTS PLUS

PARTS

OVERNIGHT
OR *FREE**

If your Exmark dealer does not have the Exmark part in stock, Exmark will get the parts to the dealer the next business day or the part will be FREE Guaranteed!! (Some restrictions apply. See your participating Exmark Dealer for details.)

**READ OPERATOR'S MANUAL BEFORE
OPERATING OR SERVICING EXMARK EQUIPMENT.**

TABLE OF CONTENTS

<u>Description</u>	<u>Page</u>
Blower Group.....	10
Decals Group.....	25
Electrical Diagram	23
Electrical Logic Schematic.....	24
Electrical Group.....	21-22
Engine Group	13-14
Fuel Group.....	9
Hopper Group.....	17-20
Hydraulic Group.....	15-16
Jackshaft Group	11-12
Main frame Group.....	3-5
Park Brake Group.....	6
Speed Controls Group.....	7-8

MAIN FRAME GROUP

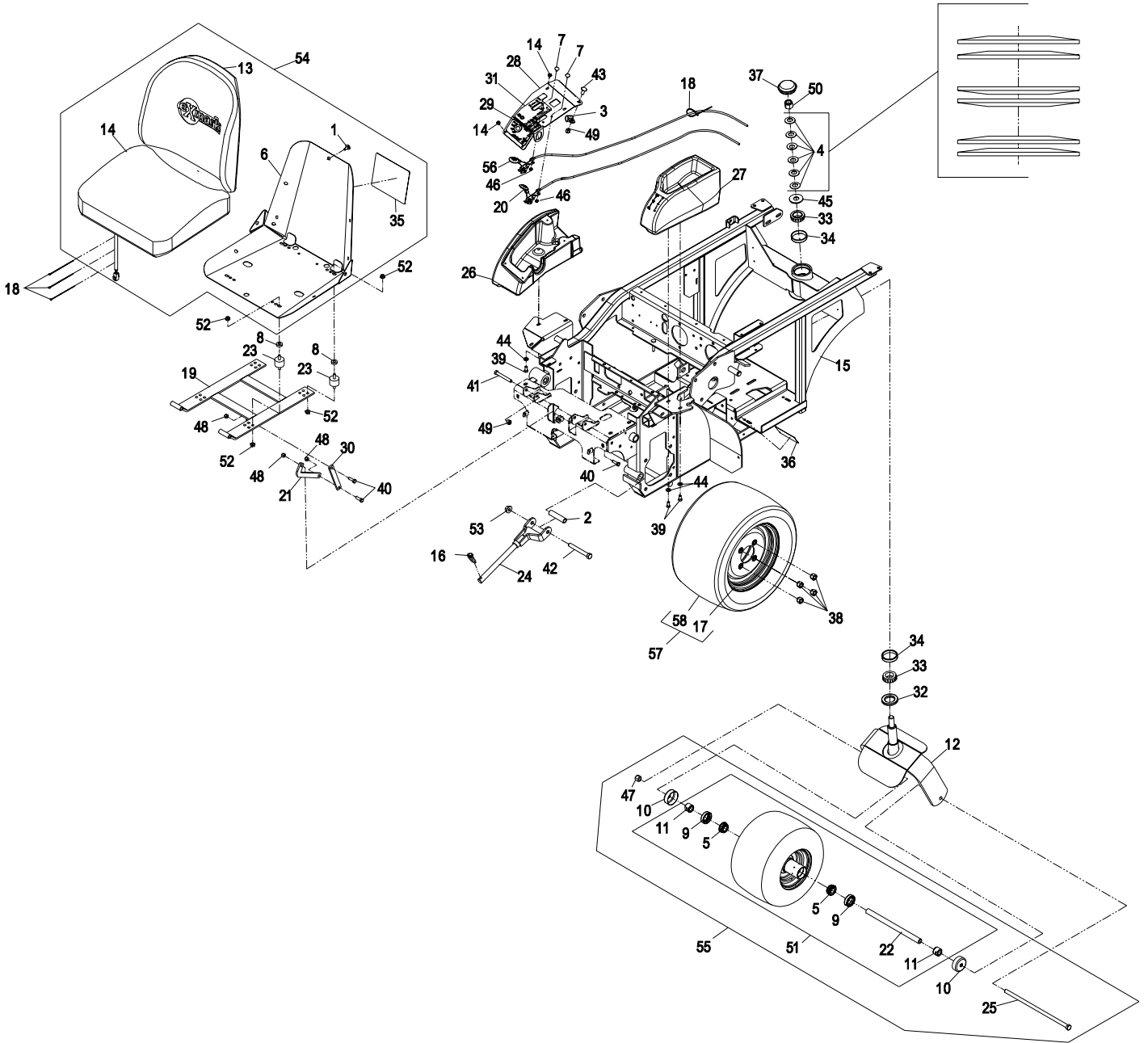
Item	Part No.	Description	Qty.
1	103-8383	Bolt, Seat Cushion	5
2	1-633060	Spacer	2
3	1-633396	Clip, Loom 5/8.....	1
4	1-633508	Washer, Spring Disk	6
5	1-633585	Bearing, Cone Tapered Roller.....	2
6	103-9483	Asm, Seat Frame W/Decal	1
7	1-807513	Bolt, Carriage #10-24 x 1/2	4
8	5-0652	Spacer	4
9	103-0063	Seal, Double Lip.....	2
10	103-2768	Guard, Seal.....	2
11▲	103-3051	Spacer, Nut.....	2
12	103-3351-03	Wld, Rear Caster Fork	1
13	103-3520	Seat, Back	1
14	109-2008	Seat, Bottom.....	1
15	109-4306	Asm, Mainframe W/Decals	1
16	103-4155	Pin, Lynch.....	2
17	103-4318	Wheel	2
18	1-303287	Tie, Cable 5 1/2 (Small)	4
19	103-4362-03	Wld, Seat Frame Std	1
20	109-4641	Cable, Control Throttle.....	1
21	103-5181	Link, Lower Seat Stop.....	1
22	103-5302	Axle, Caster	1
23	103-5496	Mount, Vibration Rubber	4
24	103-6596-03	Wld, Push Rod.....	2
25	103-7738	Screw, HH 1/2-13 x 13.....	1
26	103-8143	Console, RH	1
27	103-8146	Console, LH.....	1
28	109-4639	Asm, Control Panel W/Decals.....	1
29	103-8451	Decal, Ignition/Speed Control.....	1
30	103-8563	Link, Seat.....	1

Item	Part No.	Description	Qty.
31	109-4638	Decal, Console	1
32	103-9027	Seal, Grease.....	1
33	103-9028	Cone, Bearing Taper Roller	2
34	103-9029	Cup, Bearing Tapered Roller	2
35	116-1175	Decal, Service Aid	1
36	103-9034	Decal, Clutch Adjustment	1
37	103-9057	Cap, Grease	1
38	242-50	Nut, Lug 1/2-20.....	8
39	322-2	Screw, HH 5/16-18 x 5/8.....	6
40	322-5	Screw, HH 5/16-18 x 1	3
41	323-14	Screw, HH 3/8-16 x 3.....	2
42	325-17	Screw, HH 1/2-13 x 4.....	2
43	3231-27	Bolt, Carriage 3/8-16 x 7/8	1
44	3256-23	Washer, 5/16 SAE	6
45	3256-8	Washer.....	1
46	3296-2	Nut, Nyloc #10-24.....	4
47	3296-23	Nut, Nyloc 1/2-13	1
48	3296-29	Nut, Nyloc 5/16-18.....	3
49	3296-39	Nut, Nyloc 3/8-16.....	3
50	3296-51	Nut, Nyloc 3/4-10.....	1
51	103-5305	Asm, Wheel Tire & Brg 13x8.00-6 SP....	1
52	32128-20	Nut, Whizlock 5/16-18	8
53	32128-49	Nut, Whizlock 1/2-13	2
54	109-2006	Asm, Seat W/Decal	1
55	103-9494	Asm, Rear Caster Wheel W/Axle.....	1
56	109-4640	Cable, Control Choke	1
57	103-4319	Asm, Wheel & Tire 18 x 10.50-10.....	2
	103-4321	Asm, Wheel & Tire 18 x 8.50-10.....	2
58	105-1945	Tire, 18 X 10.5-10	2
	103-4320	Tire, 18 X 8.50-10	2

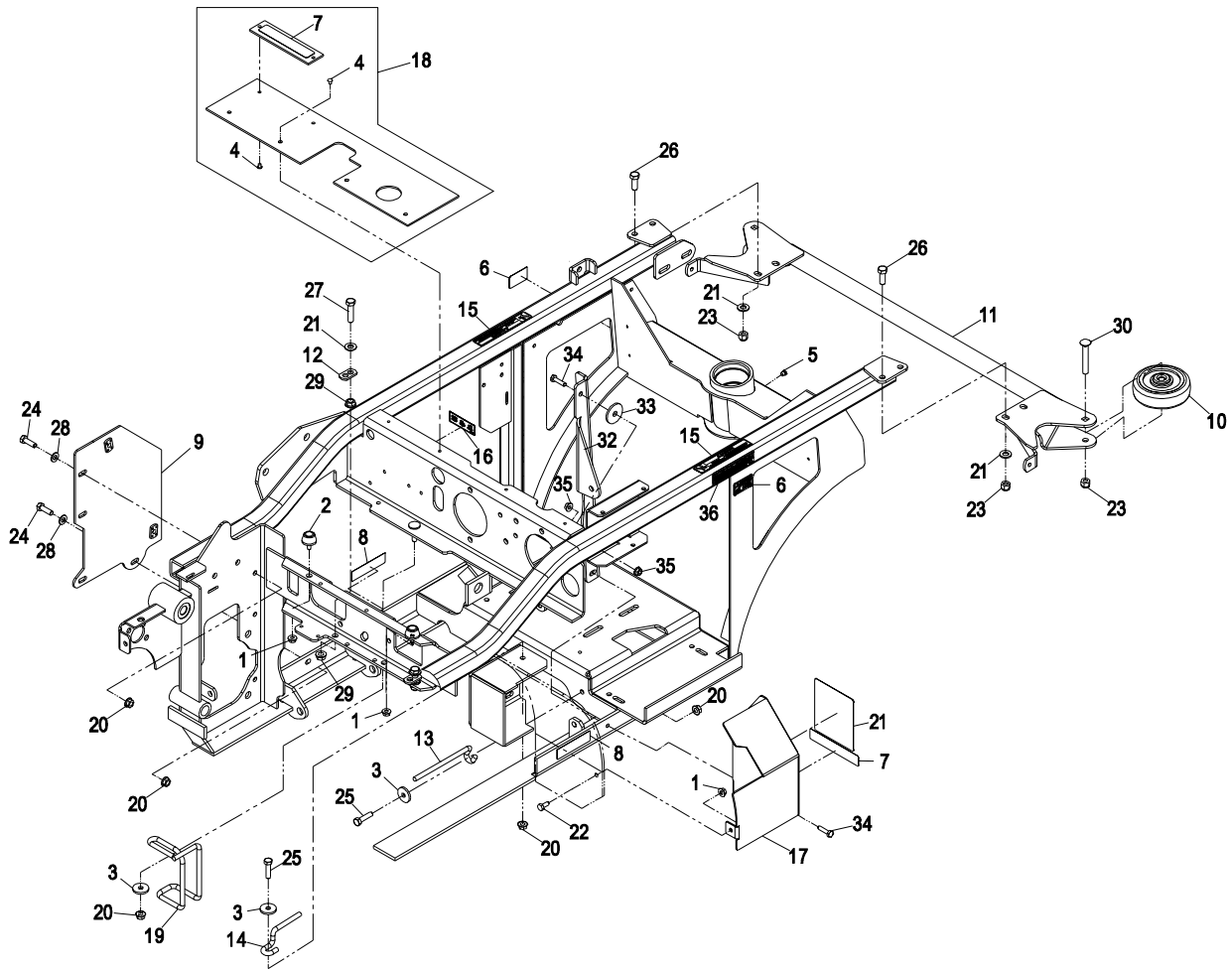
Exmark black touch up spray paint – Gloss black

▲ Use Pro-Lock, Nut Type (P/N 1-840022, .5ml tube) on spacer nut, item #11.

MAIN FRAME GROUP



MAINFRAME GROUP (cont.)

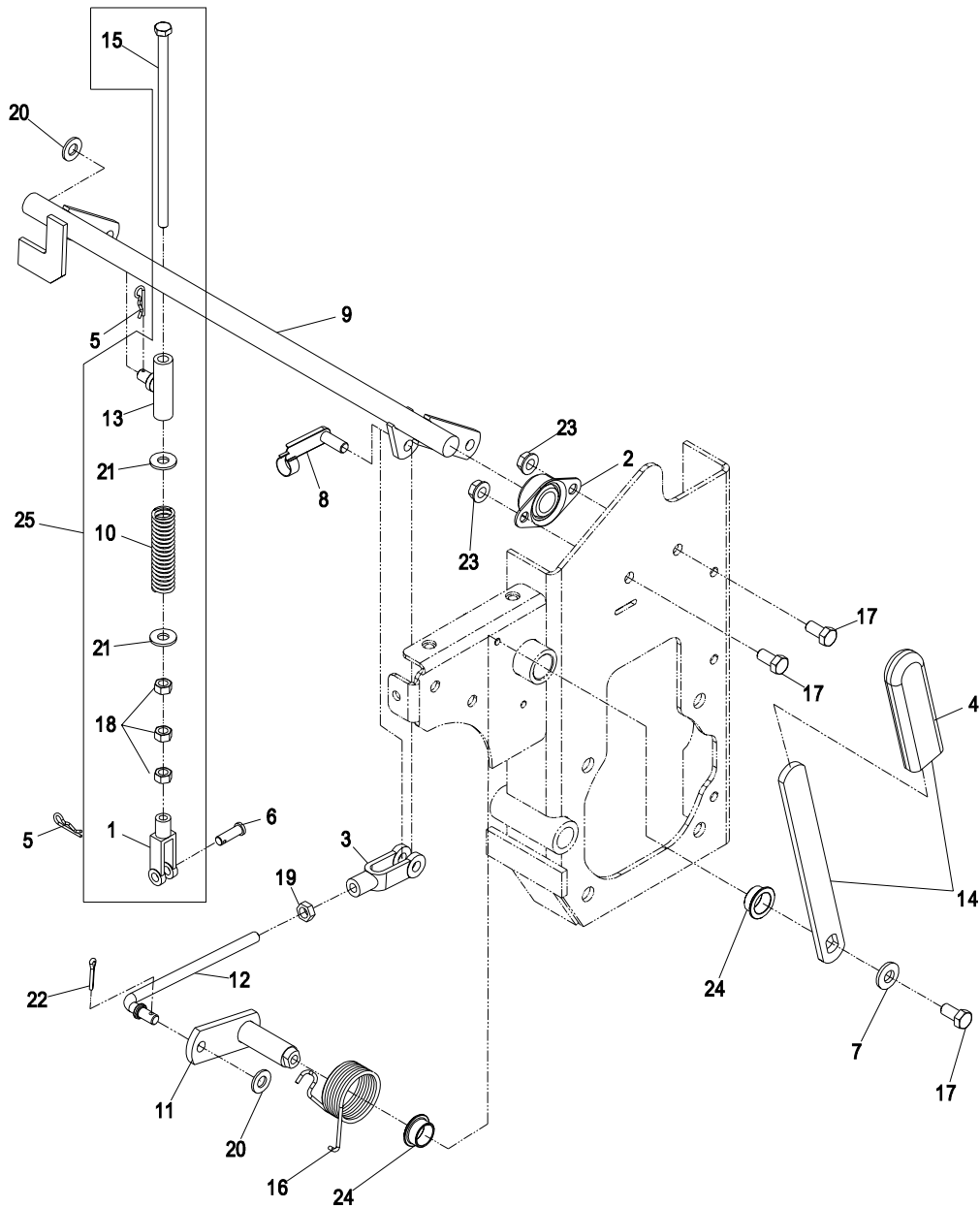


Item	Part No.	Description	Qty.
1	32128-33	Nut, Whizlock 1/4-20.....	5
2	109-2365	Bumper	2
3	1-613235	Washer	3
4	1-803035	Rivet 3/16 x 1/4	6
5	1-811010	Plug	1
6	65-2690	Decal, Hot Surface.....	2
7	98-4361	Decal, Warning	2
8	98-5954	Decal, Danger.....	2
9	109-2487-03	Wld, Fender	1
10	103-5408	Wheel	2
11	109-0925-03	Wld, Bumper Rear	1
12	103-6537	Tab, Spring Anchor	2
13	103-8333	Guide, Belt.....	1
14	103-8349	Guide, Belt.....	1
15	103-8495	Decal, Pinch Point	2
16	103-8611	Decal, Relay	1
17	103-9475	Asm Drive, Shield	1
18	103-9476	Asm, Shield W/Decal.....	1

Item	Part No.	Description	Qty.
19	103-9022	Guide, Belt.....	1
20	32128-20	Nut, Whizlock 5/16-18	7
21	103-9274	Decal, Belt Routings	1
22	321-3	Screw, HH 1/4-20 x 5/8.....	1
23	3296-39	Nut, Nyloc 3/8-16.....	6
24	322-5	Screw, HH 5/16-18 x 1	4
25	322-6	Screw, HH 5/16-18 x 1 1/4.....	2
26	323-6	Screw, HH 3/8-16 x 1.....	4
27	323-8	Screw, HH 3/8-16 x 1 1/2.....	2
28	3256-23	Washer, 5/16 SAE	4
29	3290-357	Nut, Whizlock 3/8-16	4
30	3231-31	Bolt, Carriage 3/8-16 x 2 1/2	2
31	3256-24	Washer, 3/8 SAE.....	6
32	109-5874-03	Brace, PTO.....	1
33	1-213069	Spacer.....	1
34	321-6	Screw, HH 1/4-20 x 1.....	2
35	32128-33	Nut, Whizlock 1/4-20	5
36	117-2718	Decal, Spark Arrester	1

Exmark black touch up spray paint – Gloss black

PARK BRAKE GROUP



Item	Part No.	Description	Qty.
1	1-303105	Yoke, Adjustable.....	2
2	1-633102	Bearing, Side Flange	2
3	1-633131	Yoke, Brake Linkage.....	1
4	1-633268	Grip, Brake Lever.....	1
5	1-806003	Hairpin, Cotter.....	4
6	1-808280	Pin, Clevis 5/16 x 1	2
7	98-5975	Washer, Spring Disk 3/8	1
8	103-2399	Pin, Clevis Spring 3/8.....	1
9	103-4383-03	Wld, Brakeshaft	1
10	103-4388	Spring, Brake	2
11	103-4390	Wld, Brake Pivot	1
12	103-4399	Rod, Linkage Brake	1
13	103-6576	Wld, Swivel Brake.....	2

Item	Part No.	Description	Qty.
14	103-9469	Asm, Park Brake Handle W/Grip	1
15	103-7377	Screw, HH 5/16-24 x 7 3/4.....	2
16	103-9915	Spring, Torsion RH	1
17	323-4	Screw, HH 3/8-16 x 3/4.....	5
18	3219-2	Nut, Hex 5/16-24.....	6
19	3219-3	Nut, Hex 3/8-24.....	1
20	3256-24	Washer, 3/8 SAE.....	3
21	3256-3	Washer, 5/16 Std.....	4
22	3272-10	Pin, Cotter 1/8 x 3/4.....	1
23	3290-357	Nut, Whizlock 3/8-16	4
24	108519	Bushing, Bronze	2
25	109-0714	Asm, Brake Linkage	2

Exmark black touch up spray paint – Gloss black

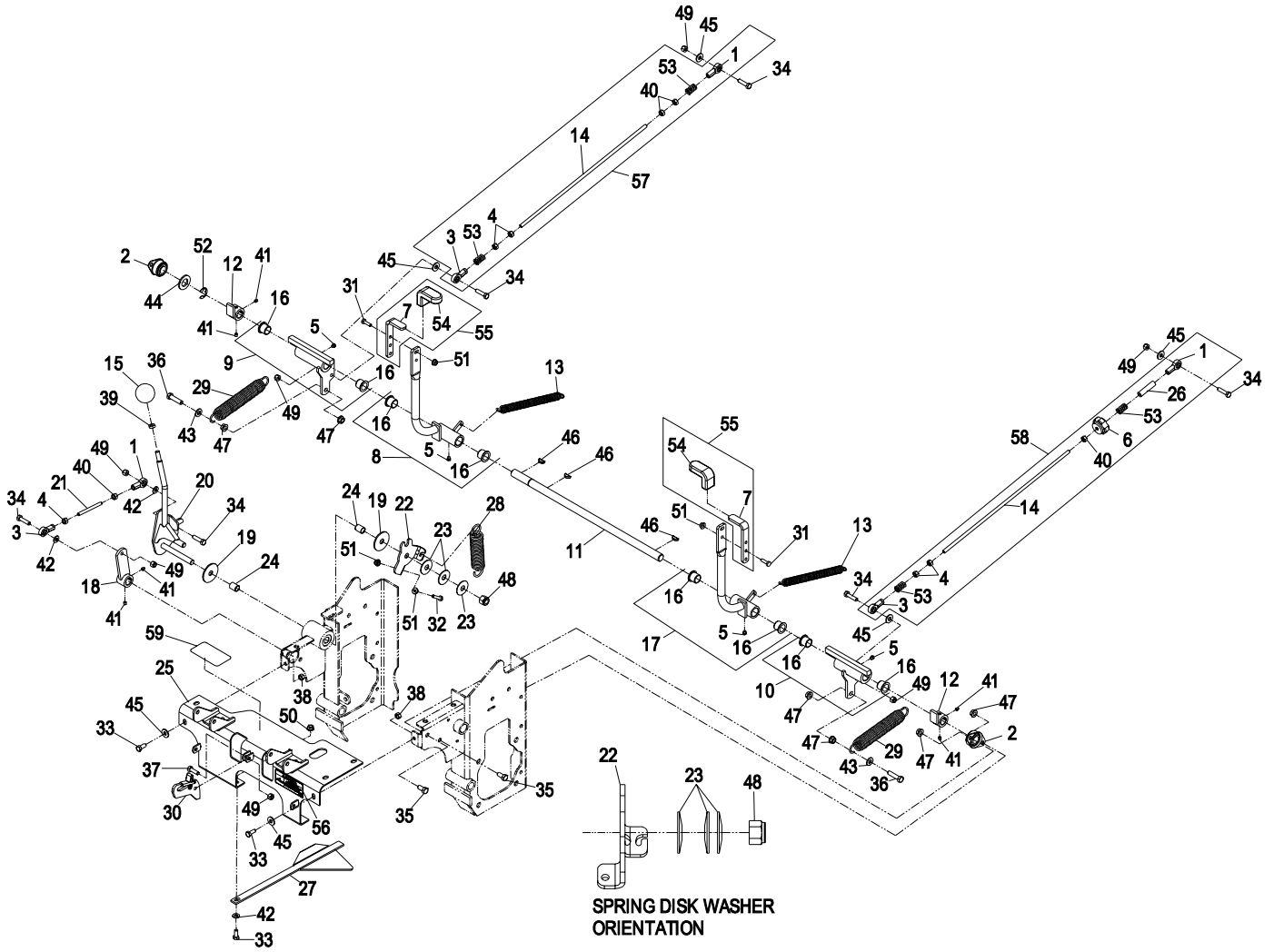
SPEED CONTROLS GROUP

Item	Part No.	Description	Qty.
1	1-543017	Ball Joint, (RH).....	3
2	1-633102	Bearing, Side Flange	2
3	1-633152	Ball Joint, (LH)	3
4	1-804524	Nut, Hex 5/16-24 (LH)	5
5	1-811010	Plug	4
6	103-3060	Knob, Tracking.....	1
7	103-9468	Asm, Handle W/Grip.....	2
8	103-9730	Asm, Steering Lever W/Bearings (RH)...	1
9	103-9731	Asm, Actuator W/Bearings (RH)	1
10	103-9732	Asm, Actuator W/Bearings (LH).....	1
11	103-4278	Shaft, Speed Control.....	1
12	103-4342-03	Wld, Hub Speed Control	2
13	103-4373	Spring, Extension.....	2
14	103-4377	Linkage, Rod Steering (LH).....	2
15	103-4397	Knob, Speed Control.....	1
16	103-4398	Bearing, Flange Iglide	8
17	103-9733	Asm, Steering Lever W/Bearings (LH)	1
18	103-5008	Wld, Control Arm	1
19	103-5009	Disc, Friction.....	2
20	103-5013	Wld, Speed Control Lever.....	1
21	103-5016	Rod, Threaded Control Link	1
22	103-5017	Plate, Speed Control Friction	1
23	103-5018	Washer, Spring Disk.....	3
24	103-5064	Bearing, Plastic 1/2.....	2
25	109-5927	Asm, Console W/Decals	1
26	103-5945	Spacer	1
27	103-5993-03	Guide, Plenum	1
28	103-6078	Spring, Extension.....	1
29	103-6532	Spring, Extension.....	2
30	103-8494	Hook	1

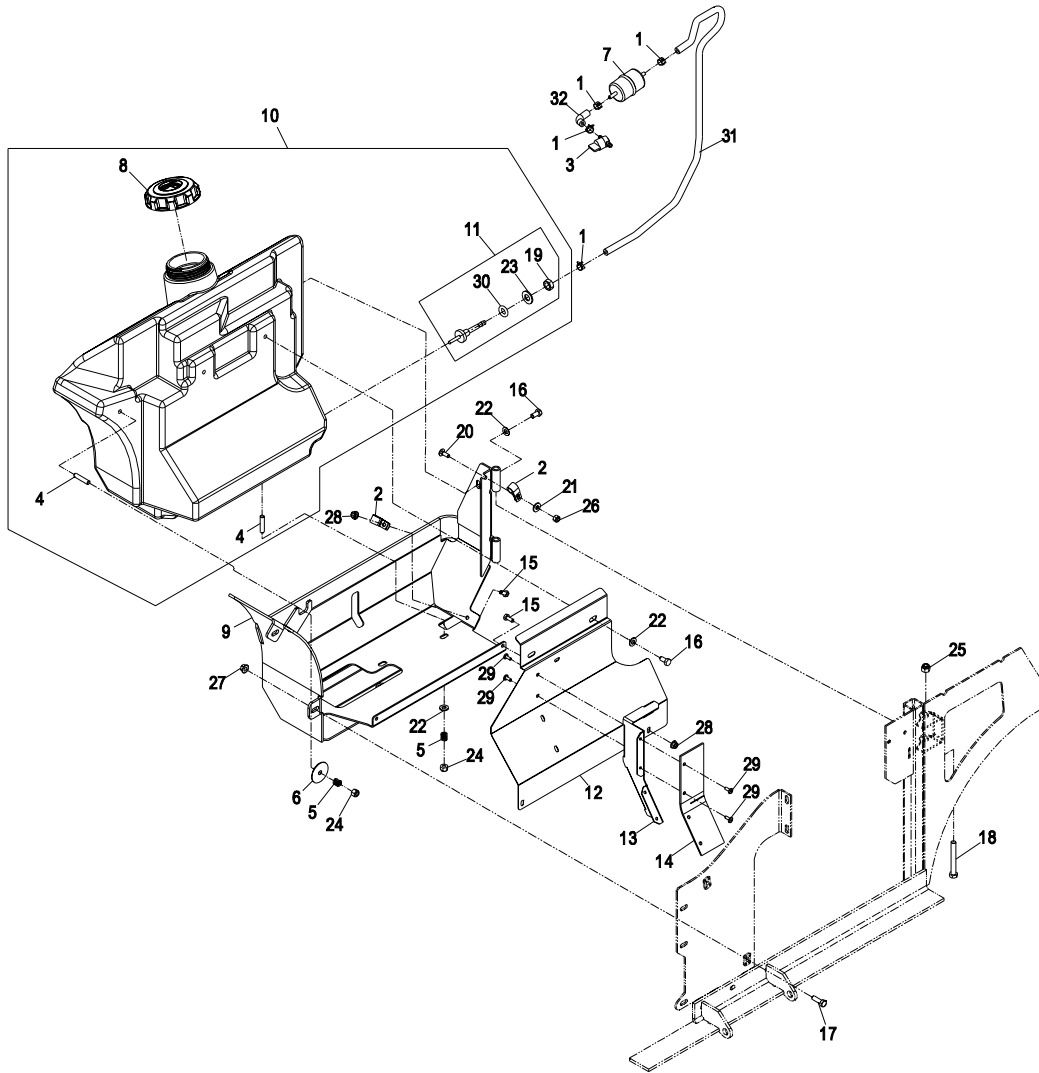
Item	Part No.	Description	Qty.
31	321-5	Screw, HH 1/4-20 x 7/8.....	4
32	321-8	Screw, HH 1/4-20 x 1 1/4.....	1
33	322-3	Screw, HH 5/16-18 x 3/4.....	6
34	322-6	Screw, HH 5/16-18 x 1 1/4.....	6
35	323-4	Screw, HH 3/8-16 x 3/4.....	4
36	323-8	Screw, HH 3/8-16 x 1 1/2.....	2
37	322-5	Screw, HH 5/16-18 x 1	1
38	3217-6	Nut, Hex 5/16-18.....	2
39	3218-3	Nut, Jam 3/8-16.....	1
40	3219-2	Nut, Hex 5/16-24.....	4
41	3245-1	Setscrew, 1/4-20 x 1/4	6
42	3256-23	Washer, 5/16 SAE	3
43	3256-24	Washer, 3/8 SAE	2
44	3256-28	Washer, 3/4 SAE	1
45	3256-3	Washer, 5/16 Std.....	9
46	3257-5	Key, Woodruff #9 3/4 x 3/16	3
47	3290-357	Nut, Whizlock 3/8-16	8
48	3296-19	Nut, Nyloc 1/2-20.....	1
49	3296-29	Nut, Nyloc 5/16-18.....	7
50	32128-20	Nut, Whizlock 5/16-18	1
51	32128-33	Nut, Whizlock 1/4-20	6
52	32151-48	E-Ring	1
53	1-323245	Spring, Compression	4
54	103-5994	Grip, Steering Handle	2
55	103-9468	Asm, Handle W/Grip.....	2
56	103-8425	Decal, Driveline	1
57	103-9493	Asm, Pump Linkage (RH)	1
58	103-9492	Asm, Pump Linkage (LH).....	1
59	109-4273	Decal, Wheel Motor Release	1

Exmark black touch up spray paint – Gloss black.

SPEED CONTROLS GROUP



FUEL GROUP



Item	Part No.	Description	Qty.
1	1-303077	Clamp-Line, Fuel.....	4
2	1-513762	Clip, Loom 1/2.....	2
3	1-603770	Valve, Fuel.....	1
4■	1-633023	Stud, Fuel Tank	3
5	1-633349	Spring, Compression	3
6	1-653036	Washer	1
7‡	Kohler	Part No. 2405010 Fuel Filter	1
8	109-0346	Cap, Fuel	1
9	103-5765-03	Wld, Tank Frame	1
10	109-2957	Asm, Tank Fuel.....	1
11▲	103-6057	Fitting, Fuel Bulkhead W/Screen.....	1
12	109-5344-03	Panel, Tank Shield.....	1
13	103-7095-03	Deflector, Air (27 HP only)	1
14	103-9658	Flap, Rubber (27 HP only).....	1
15	321-3	Screw, HH 1/4-20 x 5/8	3
16	322-2	Screw, HH 5/16-18 x 5/8	3

Item	Part No.	Description	Qty.
17■	322-5	Screw, HH 5/16-18 x 1	2
18	323-14	Screw, HH 3/8-16 x 3.....	2
19	3220-5	Nut, Jam 1/2-20.....	1
20	3229-1	Bolt, Carriage 1/4-20 x 3/4	1
21	3256-2	Washer, 1/4 Std.....	1
22	3256-23	Washer, 5/16 SAE	5
23	3256-26	Washer, 1/2 SAE	1
24	3296-47	Nut, Nyloc 5/16-18 Thin	3
25	3296-39	Nut, Nyloc 3/8-16.....	2
26	3296-42	Nut, Nyloc 1/4-20.....	1
27	32128-20	Nut, Whizlock 5/16-18	2
28	32128-33	Nut, Whizlock 1/4-20	3
29	114439	Rivet (27 HP only).....	9
30	103-2784	O-Ring	1
31	109-0284	Hose, Fuel Line 29"	1
32	109-0304	Hose, Fuel Line 2 1/2"	1

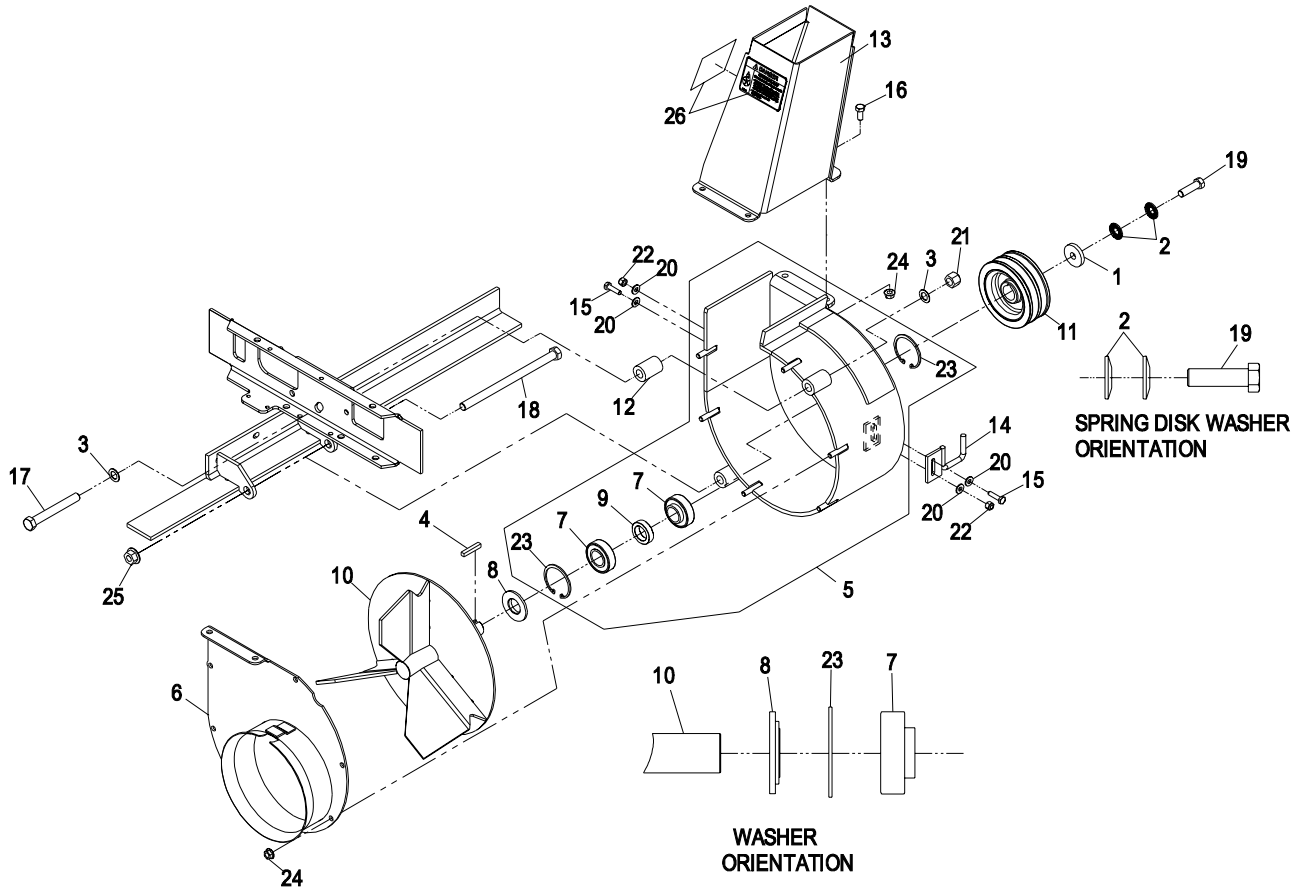
Exmark black touch up spray paint – Gloss black

■ Use Pro-Lock, Retaining Type (P/N 1-840023, .5ml tube) on stud threads, item #4 going into tank and on threads at the head of screw, item #17.

▲ Use Pro-Lock, Nut Type (P/N 1-840022, .5ml tube) on fuel fitting, item #11.

‡ Refer to Engine Owner's Manual (Fuel Filter **Must** be 15 Micron or smaller).

BLOWER GROUP



Item	Part No.	Description	Qty.
1	1-543610	Washer	1
2	1-603610	Washer, Spring Disk 7/16	2
3	18-9810	Washer, Thrust	2
4	67-7490	Key, Machine 1/4 x 1/4 x 1 1/2	1
5	109-0183	Asm, Blower Housing W/Brgs	1
6	103-3370-03	Wld, Blower Cover Assembly	1
7	103-3540	Bearing, Ball	2
8	103-3894	Spacer, Blower	1
9	103-4921	Spacer, Bearing	1
10	103-5194	Wld, Impeller	1
11	103-6733	Sheave, Blower	1
12	103-6999	Spacer, Mount	1
13	103-9474	Asm, Discharge Chute W/Decal	1
14	103-9167-03	Wld, Guide	1

Item	Part No.	Description	Qty.
15	321-6	Screw, HH 1/4-20 x 1	2
16	322-3	Screw, HH 5/16-18 x 3/4	4
17	325-17	Screw, HH 1/2-13 x 4	1
18	325-42	Screw, HH 1/2-13 x 8	1
19▲	3212-6	Screw, HH 7/16-20 x 1 1/2	1
20	3256-22	Washer, 1/4 SAE	4
21	3296-23	Nut, Nyloc 1/2-13	1
22	3296-42	Nut, Nyloc 1/4-20	2
23	32120-8	Ring, Retaining	2
24	32128-20	Nut, Whizlock 5/16-18	10
25	32128-49	Nut, Whizlock 1/2-13	1
26	109-7318	Decal, Danger	2
27●	109-0184	Asm, Blower Complete	1

Exmark black touch up spray paint – Gloss black.

▲ Use Pro-Lock, Nut Type (P/N 1-840022, .5ml tube) on screw, item #19.

● Complete blower assembly contains all items shown except items #11, #14, #20(4), #15(2) and #22(2).

JACKSHAFT GROUP

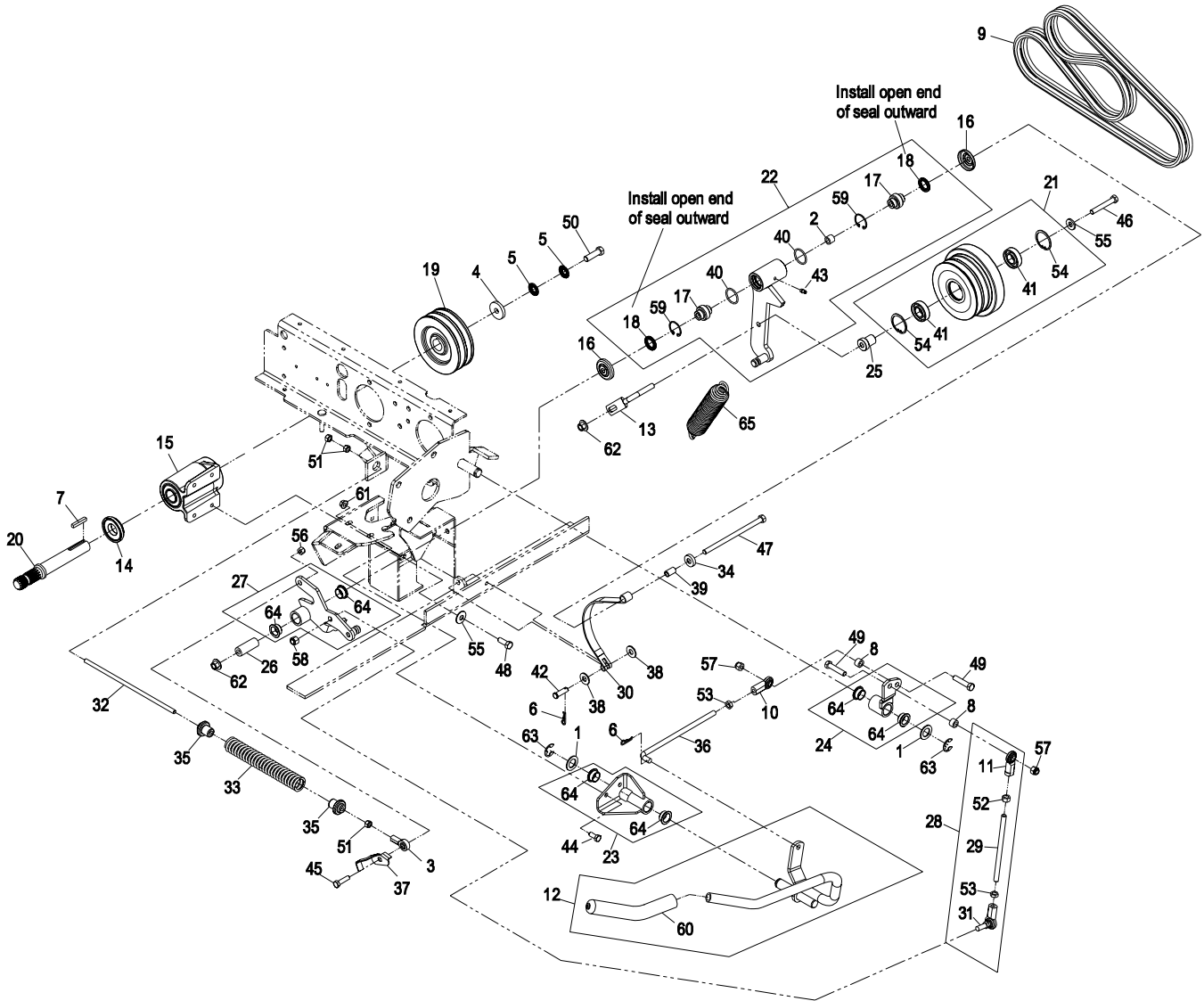
Item	Part No.	Description	Qty.
1	1-303007	Washer	2
2	1-413088	Spacer	1
3	1-543017	Ball Joint (RH).....	1
4	1-543610	Washer	1
5	1-603610	Washer, Spring Disk 7/16	2
6	1-806003	Hairpin, Cotter.....	2
7	67-7490	Key, Machine 1/4 x 1/4 x 1 1/2	1
8	92-9025	Spacer	2
9	103-6737	Belt, Matched Pair	1
10	103-0608	Ball Joint (RH).....	1
11	103-1167	Ball Joint (LH)	1
12	103-9486	Asm, PTO Handle W/Grip.....	1
13	109-5491	Belt, Guide	1
14	103-2535	Spacer, Guard Bottom	1
15	103-2544	Asm, Jackshaft Housing W/Bearings	1
16	103-2916	Guard, Top.....	2
17	103-3504	Bearing, Spherical.....	2
18	103-3506	Seal, Single Lip.....	2
19	103-6732	Sheave	1
20	103-6735	Jackshaft	1
21	103-9439	Asm, Idler Sheave	1
22	103-8253	Asm, Idler Pivot.....	1
23	103-9295	Asm, Pivot W/Bushing	1
24	103-9297	Asm, Arm W/Bushing	1
25	103-7350	Spacer, Idler	1
26	103-7382	Bushing.....	1
27	103-9296	Asm, Arm W/Bushing	1
28	103-7392	Asm, Link Clutching	1
29	103-7393	Linkage, Rod.....	1
30	103-7697	Band, Brake	1
31	103-7994	Ball Joint (RH).....	1
32	103-7996	Linkage, PTO Brake Rod	1
33	103-7997	Spring, Brake	1

Item	Part No.	Description	Qty.
34	5-0652	Spacer	1
35	103-8254	Bushing, Spring	2
36	103-8277	Link, Handle.....	1
37	103-8716-03	Flag, Switch	1
38	3256-4	Washer, 3/8 Std.....	2
39	103-9816	Spacer	1
40	106-7159	O-Ring [1.174 x .103].....	2
41	251-347	Bearing, Ball Deep Groove	2
42	283-2	Pin, Clevis 3/8 x 1 1/6.....	1
43	302-19	Zerk, 1/4-28 Str.....	1
44	322-3	Screw, HH 5/16-18 x 3/4.....	2
45	322-6	Screw, HH 5/16-18 x 1 1/4.....	1
46	323-12	Screw, HH 3/8-16 x 2 1/2.....	1
47	323-36	Screw, HH 3/8-16 x 7.....	1
48	323-6	Screw, HH 3/8-16 x 1.....	4
49	323-9	Screw, HH 3/8-16 x 1 3/4.....	2
50▲	3212-6	Screw, HH 7/16-20 x 1 1/2.....	1
51	3219-2	Nut, Hex 5/16-24.....	3
52	3219-20	Nut, Hex 3/8-24 LH.....	1
53	3219-3	Nut, Hex 3/8-24.....	2
54	32151-13	Ring, Retaining	2
55	98-5975	Washer, Spring Disk 3/8.....	5
56	3296-29	Nut, Nyloc 5/16-18.....	1
57	3296-39	Nut, Nyloc 3/8-16.....	2
58	3296-6	Nut, Nyloc 3/8-24.....	1
59	32120-10	Ring, Retaining	2
60	103-8153	Grip, Control Lever	1
61	32128-20	Nut, Whizlock 5/16-18	2
62	32128-19	Nut, Hex 3/8-16 Side Lock.....	2
63	32151-48	E-Ring	2
64	108519	Bushing, Bronze	6
65	109-0148	Spring, Extension.....	1

Exmark black touch up spray paint - gloss black.

▲ Use Pro-Lock, Nut Type (P/N 1-840022, .5ml tube) on sheave bolt, item #50.

JACKSHAFT GROUP



ENGINE GROUP

Item	Part No.	Description	Qty.
1	32120-10	Ring, Retaining	2
2	106-7022	Hose, Oil Drain	1
3	323-4	Screw, HH 3/8-16 x 3/4	4
4	1-543610	Washer	1
5	1-603610	Washer, Spring Disk 7/16	2
6	1-653291	Gasket, Exhaust Manifold	2
7	1-653331	Spring, Extension.....	1
8	1-805005	Washer, Lock 5/16 Heavy.....	4
9	67-7490	Key, Machine 1/4 x 1/4 x 1 1/2	1
10	98-5975	Washer, Spring Disk 3/8	8
11	32128-20	Nut, Whizlock 5/16-18.....	4
12	33014-00	Nut, Hex M8-1.25.....	4
13+	103-1963	Valve, Oil Drain.....	1
14	103-2916	Guard, Top.....	1
15	103-3504	Bearing, Spherical.....	2
16	103-3506	Seal, Single Lip.....	2
17	103-3695-03	Bracket, Air Filter	1
18	32128-43	Nut, Whizlock 3/8-16.....	3
19	109-3492	Pulley, Idler Flat	2

Item	Part No.	Description	Qty.
20	103-4244	Belt	1
21	103-7349	Asm, Short Idler.....	1
22	109-0942	Sheave, Engine	1
23	103-6961	Hose, Air Intake	1
24	109-3501	Kit, Muffler	1
25	109-0181-03	Shield, Exhaust.....	1
26	106-5574	Spacer	1
27	106-7159	O-Ring	2
28	302-11	Zerk, 45° 1/4-28.....	1
29	322-3	Screw, HH 5/16-18 x 3/4.....	4
30	323-12	Screw, HH 3/8-16 x 2 1/2.....	1
31	323-20	Screw, HH 3/8-16 x 3-1/4.....	1
32	323-9	Screw, HH 3/8-16 x 1 3/4.....	5
33	2412-42	Clamp, Hose.....	2
34▲	3212-6	Screw, HH 7/16-20 x 1 1/2.....	1
35	3256-24	Washer, 3/8 SAE	2
36	3290-357	Nut, Whizlock 3/8-16	4
37	109-7896	Tie, Cable	1

Exmark black touch up spray paint – gloss black.

✚ Use a Teflon Pipe Sealant or equivalent on threads.

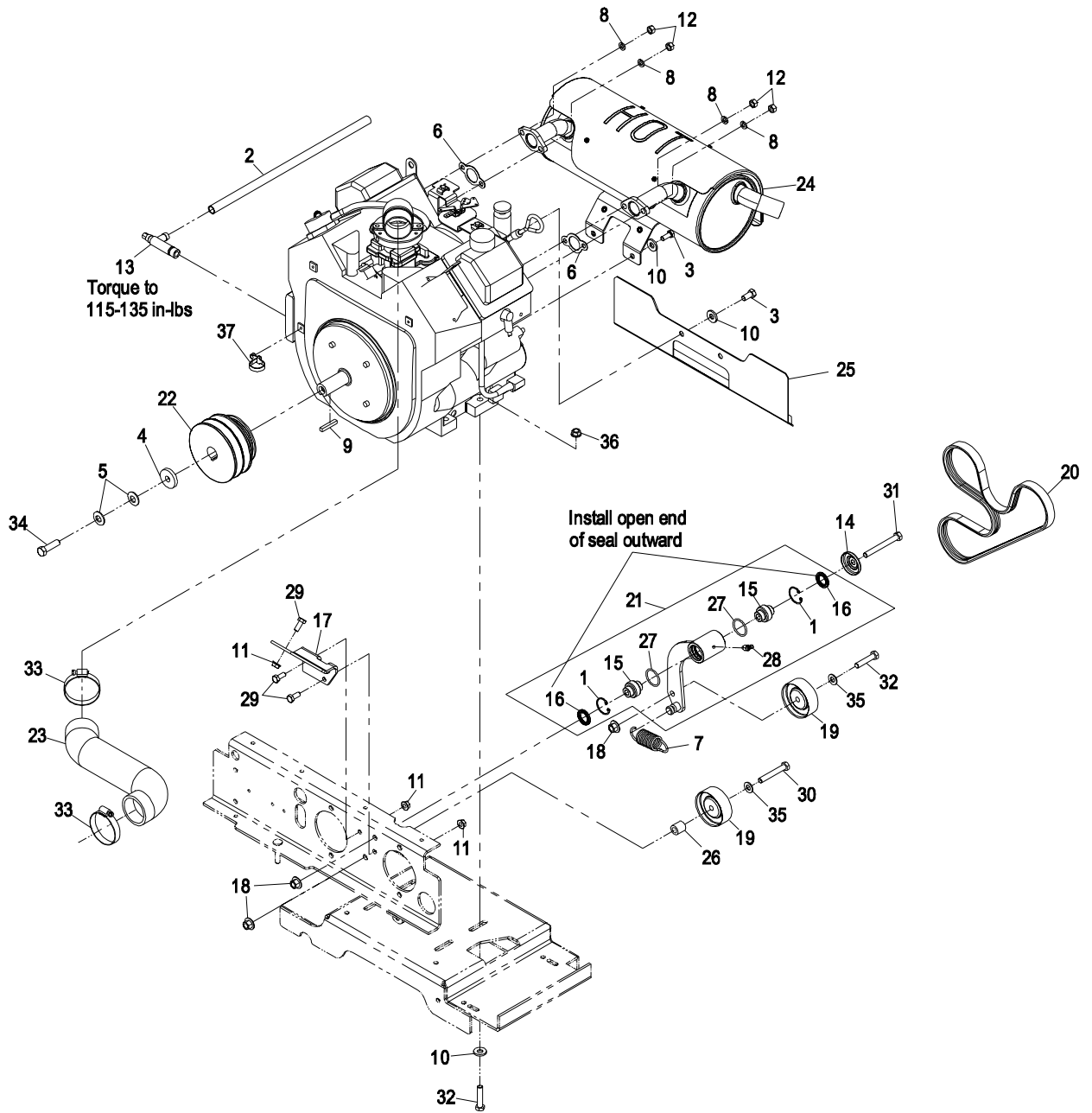
▲ Use Pro-Lock, Nut Type (P/N 1-840022, .5ml tube) on sheave screw, item #34.

Kohler Replacement Parts List

(Refer to Engine Owner's Manual)

<u>Description</u>	<u>Kohler Part</u>
Engine Oil Filter	5205002
Engine Air Filter.....	2508301
Safety Filter	2508304

ENGINE GROUP



HYDRAULIC GROUP

Item	Part No.	Description	Qty.
1	116-0404	Decal, Hydraulic Tank	1
2	1-543286	Grommet.....	2
3	1-603990	Adapter, Straight.....	8
	1-603920	O-Ring	1
	1-603992	O-Ring	1
4	1-632208	Arm, Pump Control	2
5	1-633396	Clip, Loom 5/8.....	1
6	1-803022	Setscrew, 5/16-18 x 5/8	2
7	1-803310	Setscrew, 5/16-18 x 3/8	4
8	1-805004	Washer, Lock 1/4 Heavy	2
9	1-807272	Key, 5mm x 5mm x 25mm	2
10	103-1988	Clamp, Hose.....	7
11	103-1828	Adapter, Running Tee.....	1
	1-603921	O-Ring	1
12	103-2156	Adapter, Straight.....	5
	1-603921	O-Ring	1
	103-1020	O-Ring	1
13	103-1947	Asm, Hydraulic Reservoir W/Decal	1
14	103-7615	Cap, W/Gasket	1
15	103-1949	Gasket, Reservoir Cap.....	1
16●	103-3406	Motor, Wheel (LH).....	1
17	109-7041	Spacer, Wheel Motor.....	8
18	103-4246	Sheave	2
19●	103-4612	Motor, Wheel (RH).....	1
20	103-5469	Adapter, Tee Special	1
	1-603921	O-Ring	1
21■	116-2441	Pump, Hydro.....	2

Item	Part No.	Description	Qty.
22	103-7706	Grommet	1
23	103-8631	Bracket, Clamp	1
24	109-1258	Hose, Hydraulic	1
25	104-7836	Filter, Head.....	1
26	109-4180	Element, Filter 25 Micron.....	1
⊕	1-523541	Element, Filter (Winter).....	1
27	321-3	Screw, HH 1/4-20 x 5/8.....	2
28	321-6	Screw, HH 1/4-20 x 1.....	2
29	323-4	Screw, HH 3/8-16 x 3/4.....	2
30	103-5452	Hose, Hydraulic	1
31	323-7	Screw, HH 3/8-16 x 1 1/4.....	4
32	325-22	Screw, HH 1/2-13 x 5 1/2.....	8
33	100-4887	Adapter, 90°	3
	1-603921	O-Ring	1
34	3256-22	Washer, 1/4 SAE.....	2
35	32128-33	Nut, Whizlock 1/4-20	2
36	32128-43	Nut, Whizlock 3/8-16	4
37	32128-49	Nut, Whizlock 1/2-13	8
38	103-5477	Hose, Hydraulic	1
39	103-8617	Hose, Hydraulic	1
40	109-1260	Hose, Hydraulic	1
41	109-1261	Hose, Hydraulic	1
42	109-1262	Hose, Hydraulic	1
43	109-1263	Hose, Hydraulic	1
44	109-1264	Hose, Hydraulic	1
45	3290-357	Nut, Whizlock 3/8-16	2

Exmark black touch up spray paint – gloss black.

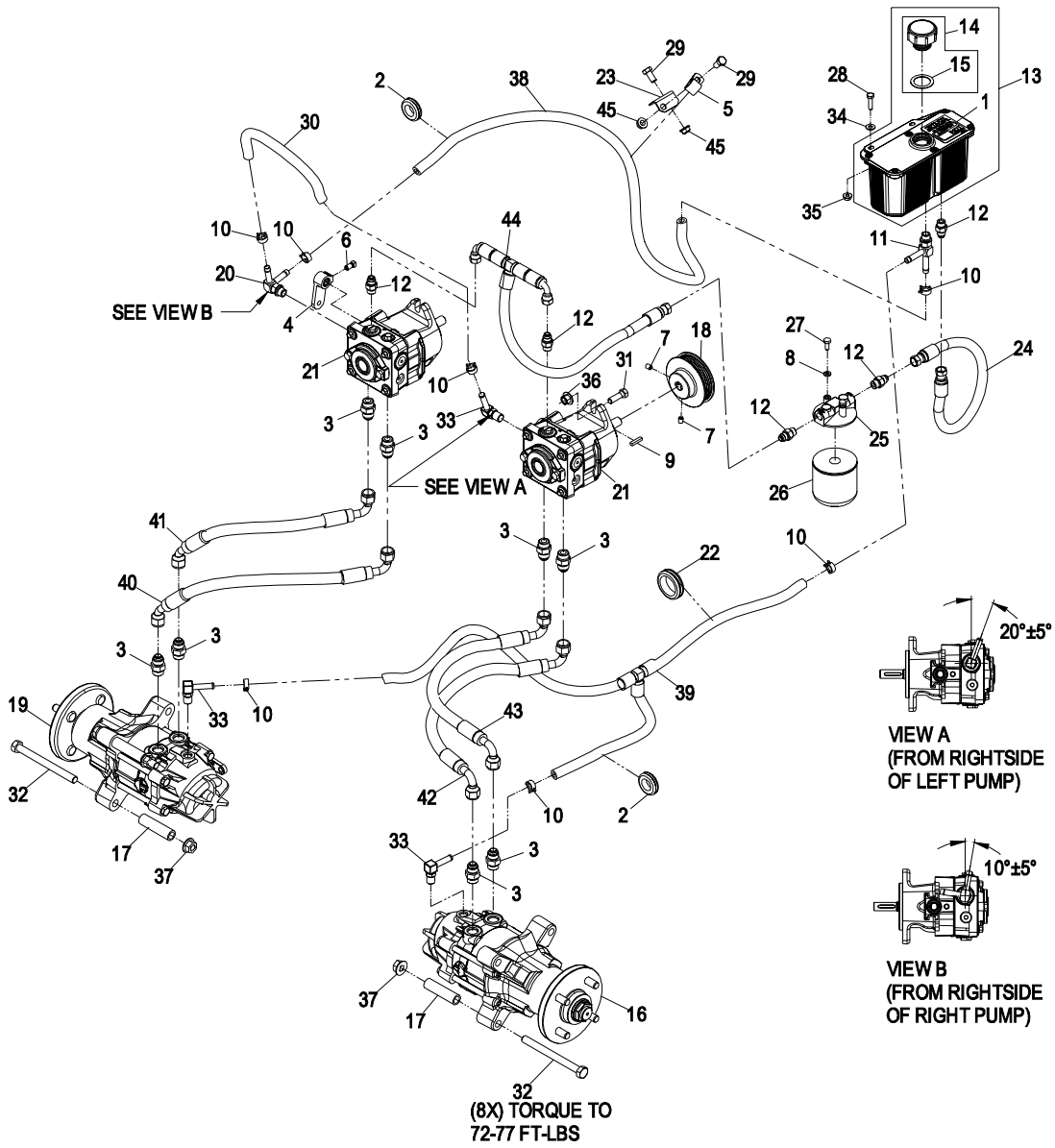
▲ Use Prolock, Nut Type (P/N 1-840022, .5ml tube) on setscrews, items #6 & #7.

⊕ Use only for operation below 32°F (0°C).

● Wheel Motor Service Kits		
Part No.	Description	Qty.
103-9762	Kit, Seal	1
103-9763	Handle, Actuating.....	1
103-9764	Clip, Retaining.....	1
103-9765	Nut, Hex Toplock 1-20UNEF-2B	1
103-4242	Asm, Wheel Hub W/Studs	1
103-7447	Stud, Wheel 1/2-20 x 1/2.....	4

■ Hydro Pump Service Kits		
Part No.	Description	Qty.
103-7441	Bearing, Input Shaft.....	1
103-7443	Kit, Cylinder Block 12CC.....	1
94-6922	Bearing, Thrust.....	1
105-6184	Kit, Overhaul Seal.....	1

HYDRAULIC GROUP



HOPPER GROUP

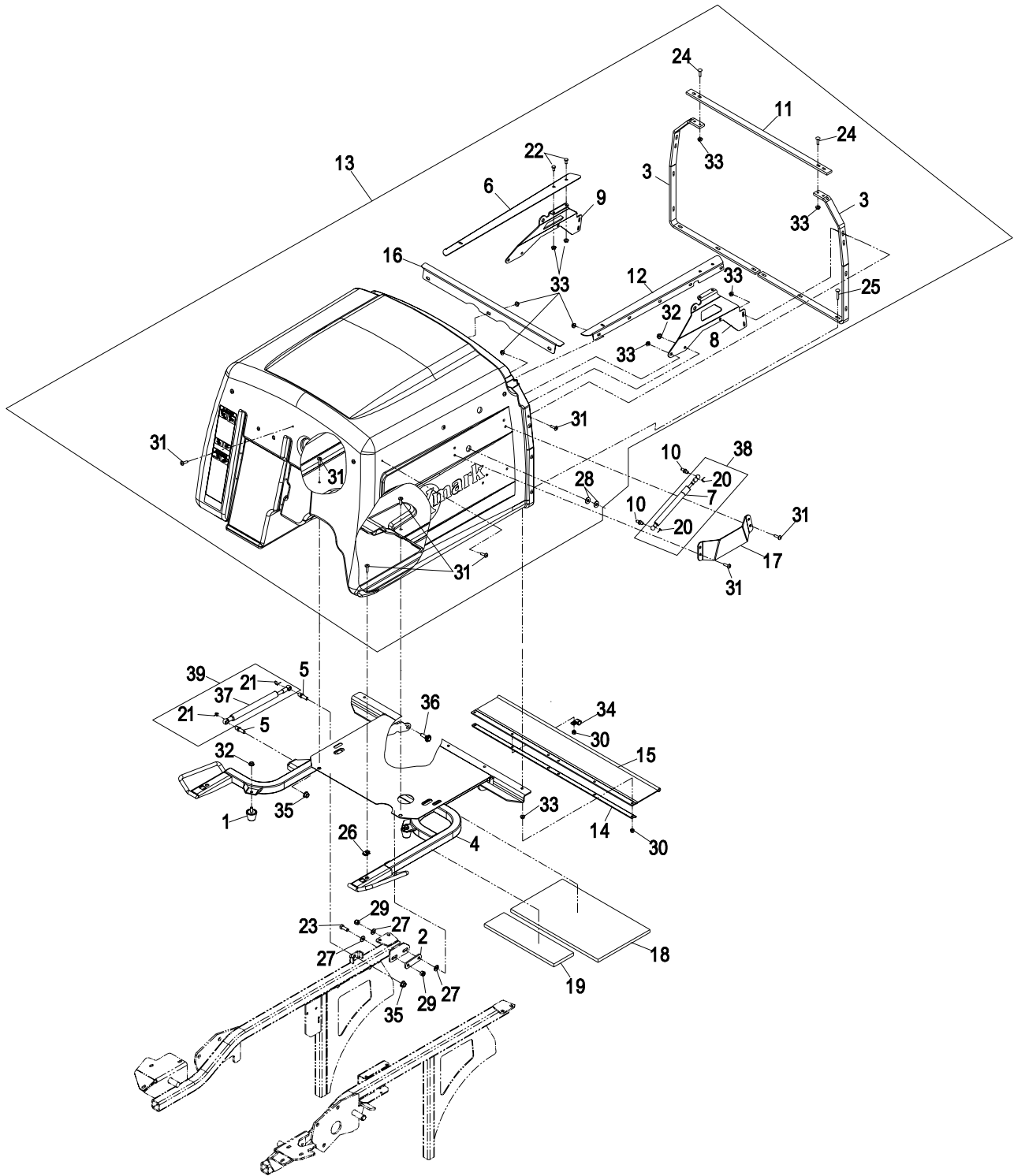
Item	Part No.	Description	Qty.
1	1-543963	Bumper, Rubber.....	2
2	1-633068	Spacer	2
3	103-5045-03	Brace, Side	2
4♦	109-4086	Asm, Hopper Frame.....	1
5	103-5426	Stud, Ball 13mm	2
6	103-5736-03	Channel, Screen (RH).....	1
7	103-5746	Shock, Gas Tension.....	2
8	103-5749-03	Panel, Hinge (LH)	1
9	103-5751-03	Panel, Hinge (RH).....	1
10	103-5752	Stud, Ball 10mm	4
11	103-5772-03	Brace, Top	1
12	103-5774-03	Channel, Screen (LH)	1
13*	103-9457	Asm, Hopper.....	1
14	103-6022-03	Channel, Hopper Frame.....	1
15	103-6025	Shield, Trailing	1
16	103-7035-03	Channel, Screen Front.....	1
17	109-4019	Guard, Damper	2
18	103-7824	Insulation, Foam Pad Rear	1
19	103-7825	Insulation, Foam Pad Front.....	1
20	103-8324	Clip, Retainer-10mm.....	4

Item	Part No.	Description	Qty.
21	103-8325	Clip, Retainer-13mm.....	2
22	321-2	Screw, HH 1/4-20 x 1/2.....	4
23	323-6	Screw, HH 3/8-16 x 1.....	2
24	3229-2	Bolt, Carriage 1/4-20 x 1.....	4
25	3229-4	Bolt, Carriage 1/4-50 x 1 1/2.....	6
26	107069	Nut, Retainer	4
27	3256-24	Washer, 3/8 SAE.....	6
28	3256-3	Washer, 5/16 Std.....	4
29	3296-39	Nut, Nyloc 3/8-16.....	6
30	3296-42	Nut, Nyloc 1/4-20.....	29
31	32105-32	Screw, Truss HD 1/4-20 x 1.....	30
32	32128-20	Nut, Whizlock 5/16-18	4
33	32128-33	Nut, Whizlock 1/4-20	39
34	1-513762	Clip, Loom 1/2	1
35	33005-00	Nut, Hex M10-1.5 Flg.....	2
36	614672	Screw, Shoulder 3/8-16 x 1.295.....	2
37	103-5425	Shock, Gas Compression	1
38	109-0715	Kit, Damper W/Clips	2
39	109-0716	Kit, Damper W/Clips	1

* Reference page 20 for remainder of items included in hopper assembly

♦ Includes items: 1, 18, 19, 32 and frame weldment.

HOPPER GROUP



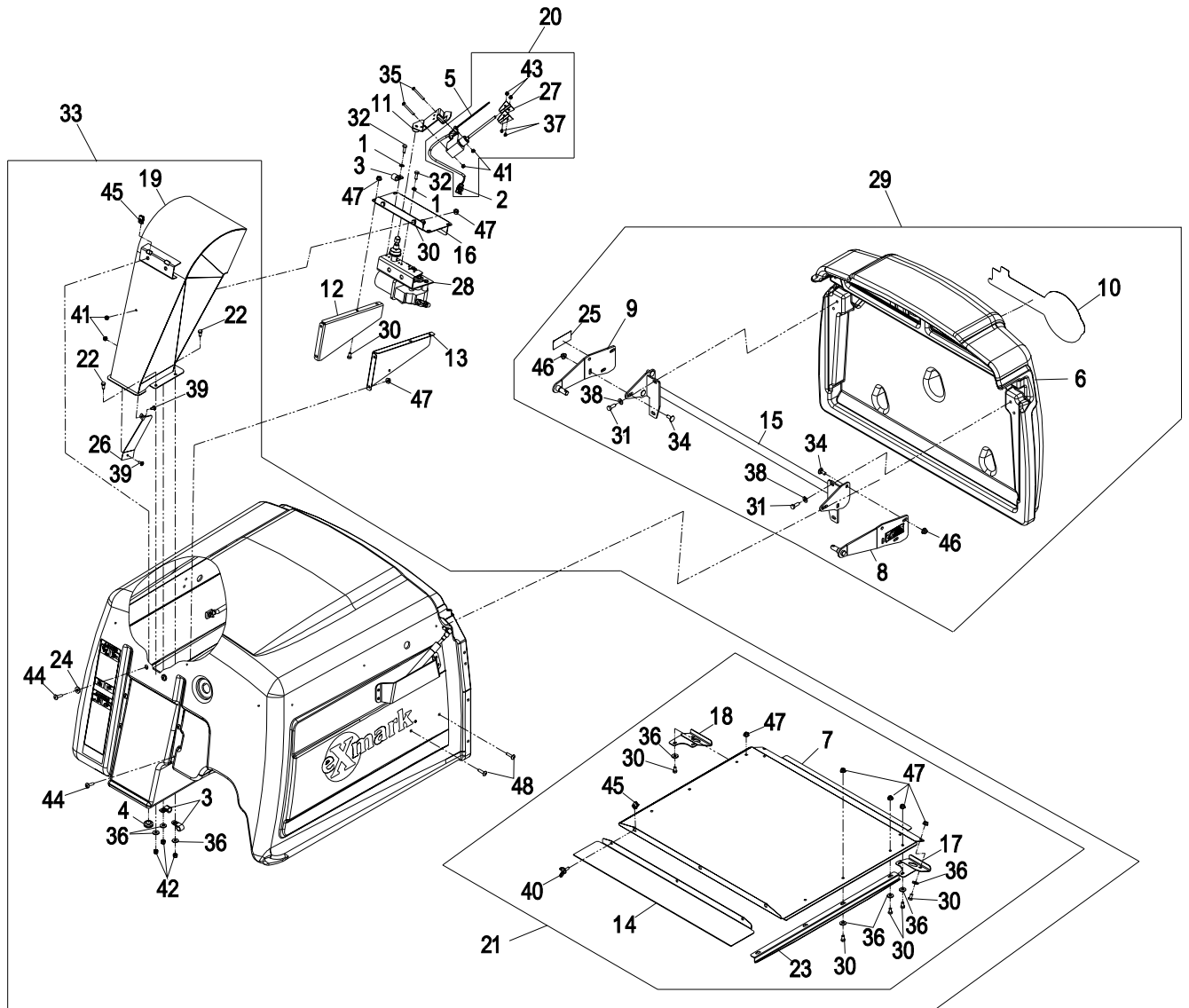
HOPPER GROUP (cont.)

Item	Part No.	Description	Qty.
1	1-303435	Washer, Spring Disk 1/4	3
2	109-3854	Kit, Fill Sensor Wire	1
3	1-513762	Clip, Loom 1/2.....	4
4	1-543296	Grommet.....	1
5	1-303335	Tie, Plastic	1
6	109-3955	Door, 9.5 Bushel Hopper.....	1
7	103-5745-03	Panel, Hopper Screen.....	1
8	109-4253	Asm, Door Pivot W/Decal (LH).....	1
9	109-4254	Wld, Door Pivot W/Decal (RH)	1
10	103-6024	Decal, Exmark Logo.....	1
11	109-3648	Wld, Switch Mount	1
12	103-6067-03	Bracket, Motor (LH).....	1
13	103-6068-03	Bracket, Motor (RH)	1
14	103-7048-03	Panel, Screen Extend	1
15	109-4153-03	Wld, Door Support	1
16	103-7085-03	Plate, Switch.....	1
17	103-7098-03	Handle, Screen (LH)	1
18	103-7099-03	Handle, Screen (RH).....	1
19	109-3650-03	Wld, Diffuser	1
20	103-9466	Asm, Fill Sensor.....	1
21	109-0717	Asm, Hopper Screen.....	1
22	321-4	Screw, HH 1/4-20 x 3/4.....	5
23	103-8203-03	Guide, Screen.....	2
24	1-613235	Washer	2

Item	Part No.	Description	Qty.
25	103-8444	Decal, Pinch Point	2
26	103-8680	Deflector, Discharge Chute.....	1
27	103-8789	Flag, Fill Sensor.....	2
28	109-3853	Motor	1
29	103-9456	Asm, Door Hopper.....	1
30	321-2	Screw, HH 1/4-20 x 1/2.....	19
31	322-4	Screw, HH 5/16-18 x 7/8.....	4
32	329-4	Screw, HH 1/4-28 x 3/4.....	3
33	103-9457	Asm, Hopper.....	1
34	3230-23	Bolt, Carriage 5/16-18 x 3/4.....	6
35	3250-48	Screw, PPH #10-24 x 1 3/4.....	2
36	3256-2	Washer, 1/4 Std.....	17
37	9107622	Screw, PPH #6-32 x 5/8.....	2
38	3256-23	Washer, 5/16 SAE	4
39	32122-30	Screw, Truss HD #10-24 X 1/2	2
40	109-1063	Screw, Wing 1/4-20 x 3/4.....	3
41	3296-2	Nut, Nyloc #10-24	4
42	3296-42	Nut, Nyloc 1/4-20	5
43	3296-9	Nut, Nyloc #6-32 Thin	2
44	32105-32	Screw, Truss HD 1/4-20 x 1	6
45	107069	Nut, Retainer-Panel 1/4-20	5
46	32128-20	Nut, Whizlock 5/16-18.....	8
47	32128-33	Nut, Whizlock 1/4-20	27
48	32122-42	Screw, Truss HD 1/4-20 x 1/2.....	4

Reference page 18 for remainder of items included in hopper assembly.

HOPPER GROUP (cont.)



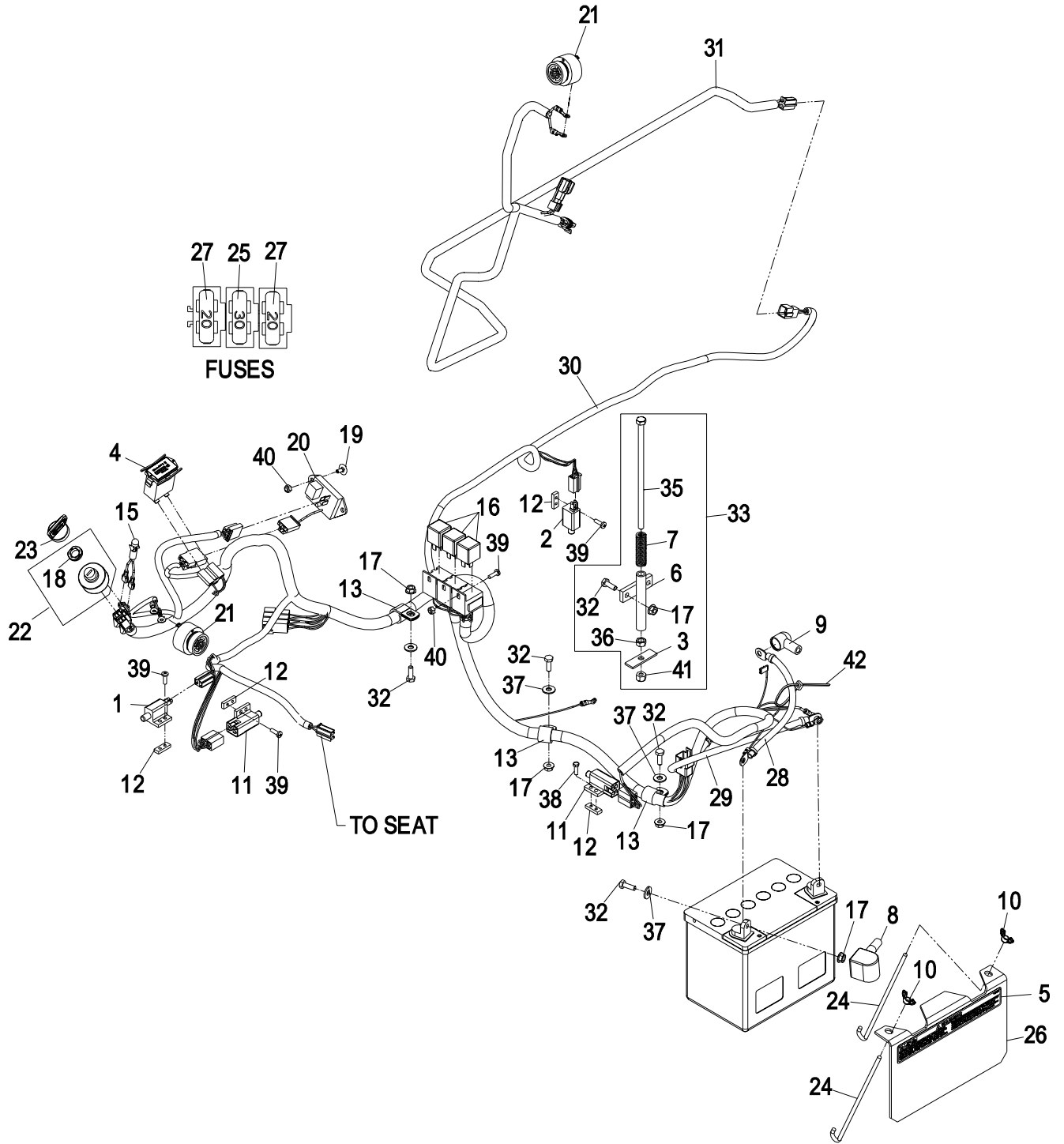
ELECTRICAL GROUP

Item	Part No.	Description	Qty.
1	1-513051	Switch, N.O.....	1
2	1-513152	Switch, N.C.....	1
3	1-513180	Plate, Switch.....	1
4	1-513374	Meter, Hour.....	1
5	1-513747	Decal, Battery.....	1
6	1-522424-03	Wld, Mount Seat Spring.....	1
7	1-523415	Spring.....	1
8	109-2407	Insulator, Battery.....	1
9	1-543393	Insulator, Solenoid.....	1
10	1-543792	Wingnut, Nyloc 1/4-20.....	2
11	1-633111	Switch, N.C.....	2
12	1-633181	Plate, Tapped.....	4
13	1-643312	Clip, Loom 5/8.....	3
14+	109-2923	Asm, Positive Battery Cable.....	1
15	1-643267	Indicator, Red Led.....	1
16	1-643275	Relay, 12VDC 40 Amp.....	3
17	32128-33	Nut, Whizlock 1/4-20.....	7
18	103-0498	Nut, Ignition.....	1
19	1-807513	Bolt, Carriage #10-24 x 1/2.....	2
20	100-6186	Module, Seat Delay.....	1
21	103-0205	Alarm, Dual Tone 12VDC.....	2

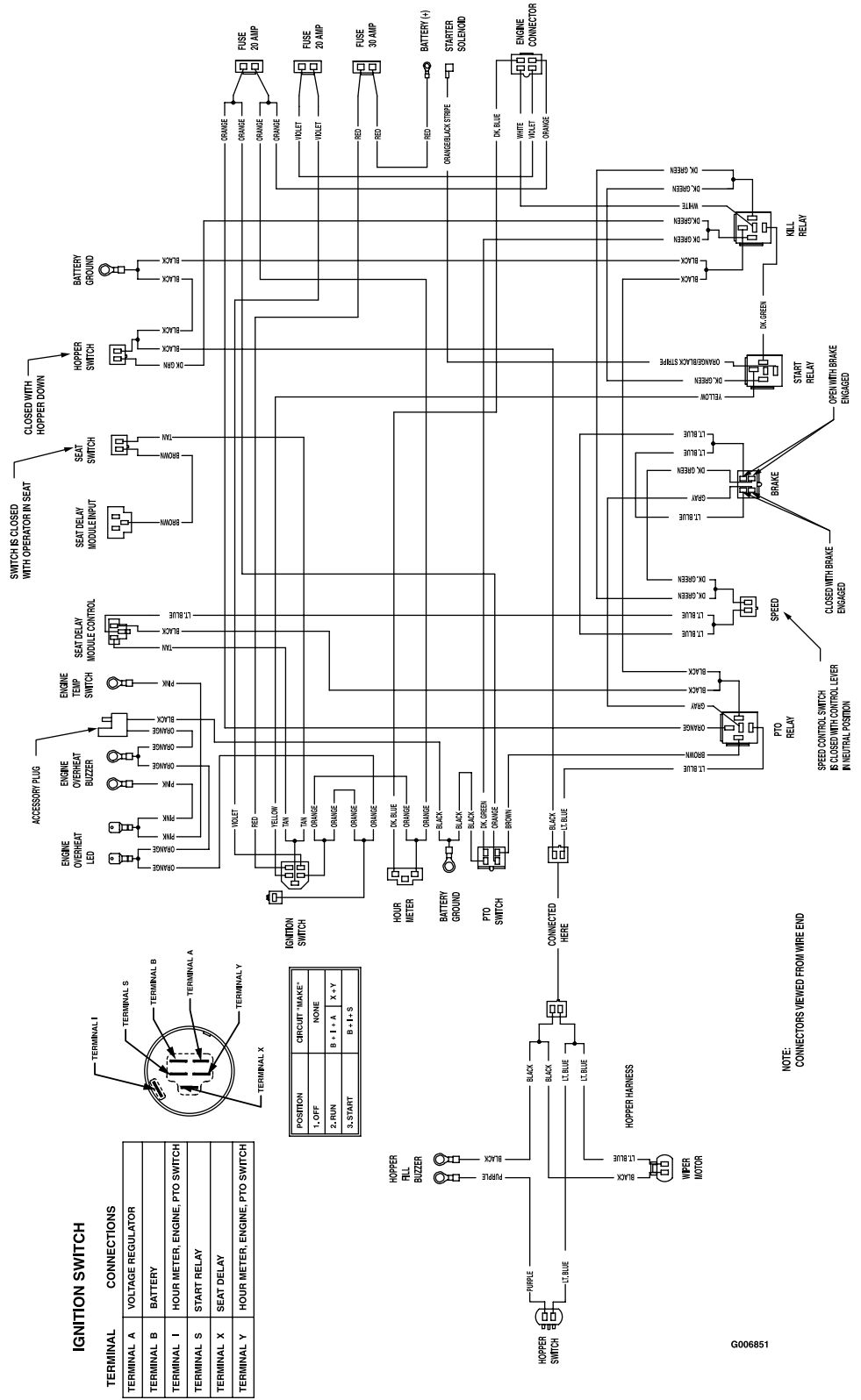
Item	Part No.	Description	Qty.
22	109-4736	Asm, Switch W/Nut.....	1
23	103-2106	Key, Exmark Logo.....	1
	1-603511	Key, Ignition.....	1
24	103-1312	Bolt, Hold Down.....	2
25	1-816003	Fuse, 30 Amp.....	1
26	103-9470	Asm, Battery Hold Down W/Decal.....	1
27	1-816001	Fuse, 20 Amp.....	2
28	103-8354	Cable, Battery (+).....	1
29	103-8355	Cable, Ground (-).....	1
30+	109-4270	Harness, Wiring.....	1
31+	103-8800	Harness, Hopper Wire.....	1
32	321-4	Screw, HH 1/4-20 x 3/4.....	7
33	103-8528	Asm, Hopper Switch Actuator.....	1
34	1-303287	Tie, Cable 5 1/2 (Small).....	1
35	322-50	Screw, HH 5/16-18 x 7 1/2.....	1
36	3217-6	Nut, Hex 5/16-18.....	1
37	3256-2	Washer, 1/4 Std.....	5
38	3290-134	Screw, HH Machine 10-24 x 5/8.....	2
39	3290-500	Screw, PPH #10-24 x 5/8.....	8
40	3296-2	Nut, Nyloc #10-24.....	4
41	3296-29	Nut, Nyloc 5/16-18.....	1

- ◆ Use dielectric grease on all wiring harness connectors.
- ✦ Assembly includes items #8, #9, and #28.

ELECTRICAL GROUP

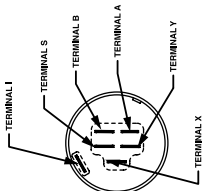


ELECTRICAL DIAGRAM



IGNITION SWITCH

TERMINAL	CONNECTIONS
TERMINAL A	VOLTAGE REGULATOR
TERMINAL B	BATTERY
TERMINAL I	HOUR METER, ENGINE, PTO SWITCH
TERMINAL S	START RELAY
TERMINAL X	SEAT DELAY
TERMINAL Y	HOUR METER, ENGINE, PTO SWITCH

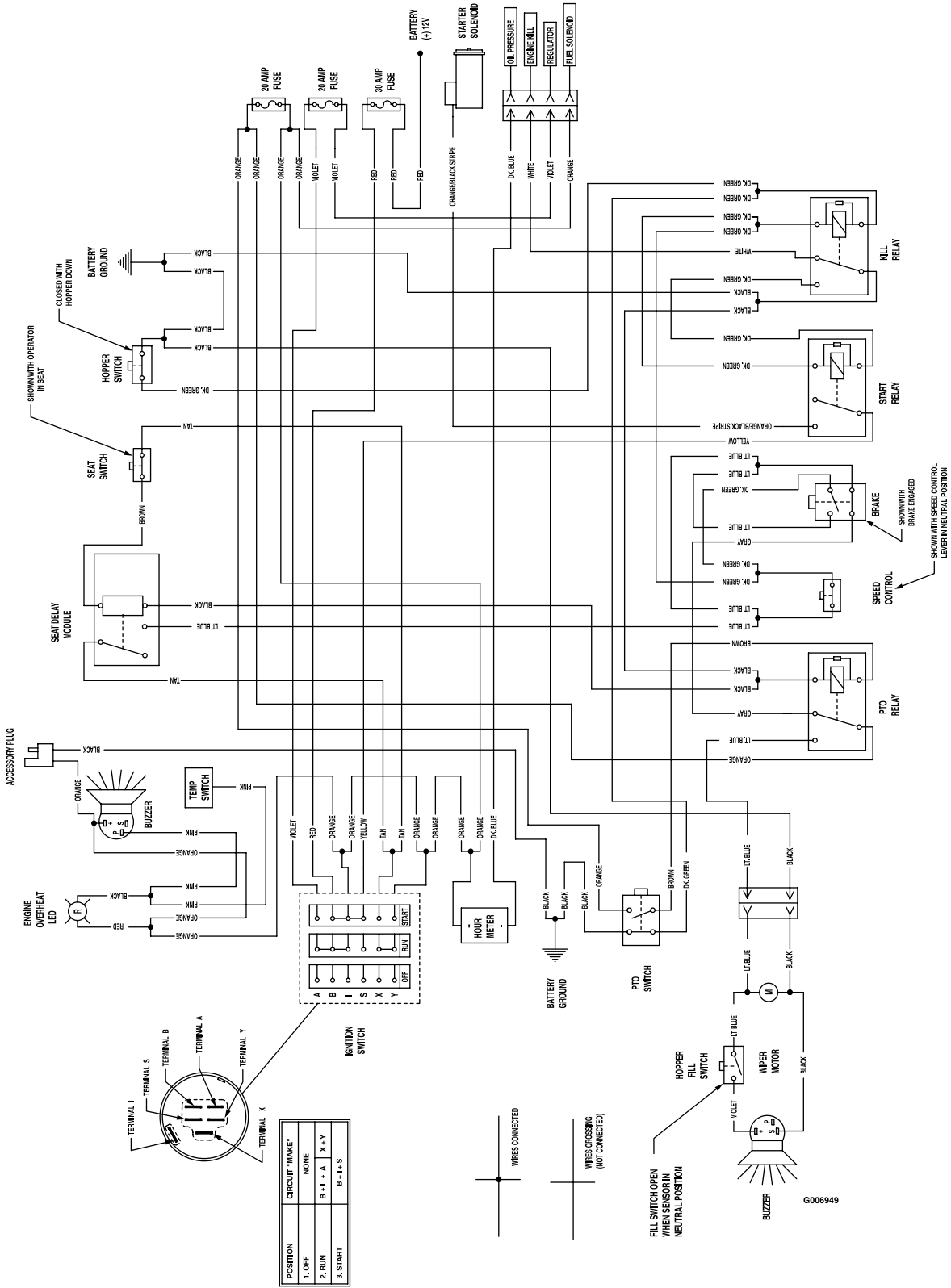


POSITION	CIRCUIT "MAKE"
1. OFF	NONE
2. RUN	B + I + A X + Y
3. START	B + I + S

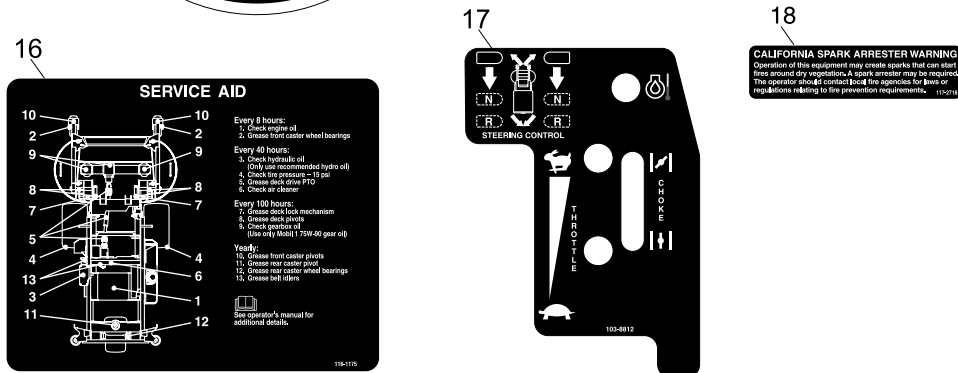
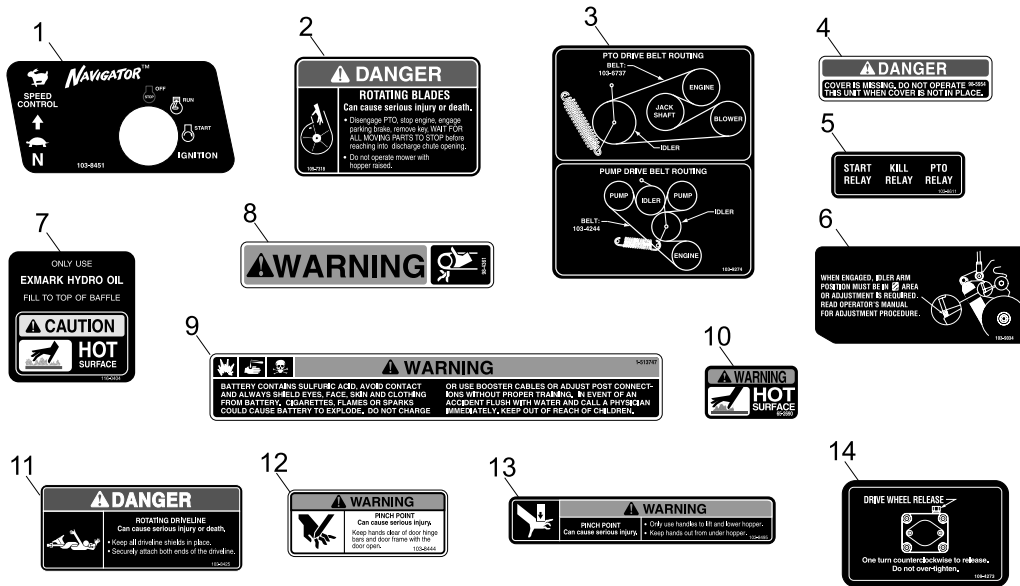
NOTE: CONNECTORS VIEWED FROM WIRE END

G006851

ELECTRICAL LOGIC SCHEMATIC



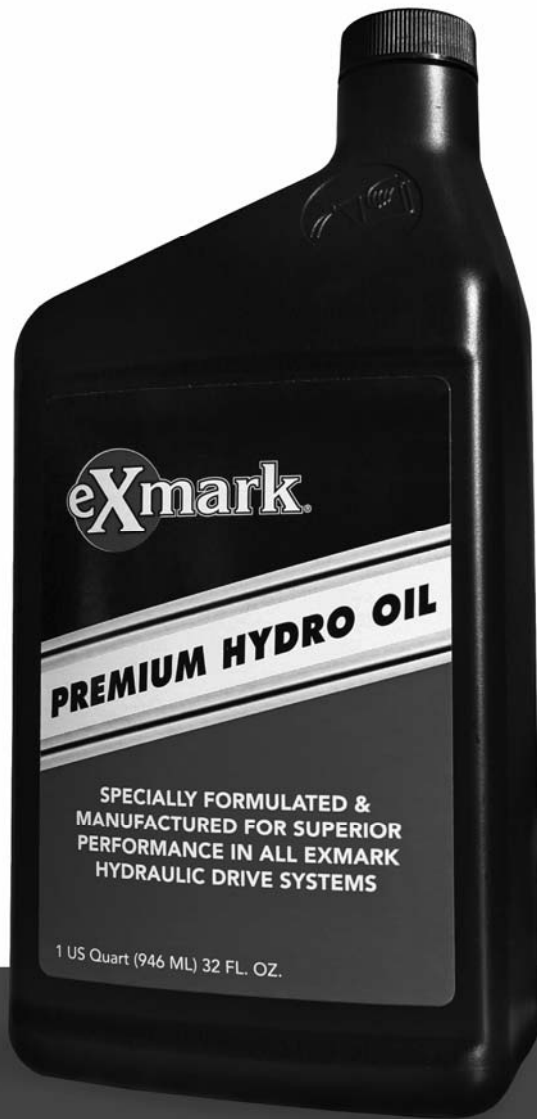
DECALS GROUP



Item	Part No.	Description	Qty.
1	103-8451	Decal, Ignition/Speed Control	1
2	109-7318	Decal, Danger	2
3	103-9274	Decal, Belt Routing	1
4	98-5954	Decal, Missing Cover	2
5	103-8611	Decal, Relay	1
6	103-9034	Decal, Clutch Adjustment.....	1
7	116-0404	Decal, Hydraulic Tank.....	1
8	98-4361	Decal, Warning	2
9	1-513747	Decal, Battery	1
10	65-2690	Decal, Hot Surface.....	2

Item	Part No.	Description	Qty.
11	103-8425	Decal, Driveline	1
12	103-8444	Decal, Pinch Point	2
13	103-8495	Decal, Pinch Point	2
14	109-4273	Decal, Wheel Motor Release	1
15	103-6024	Decal, Exmark Logo	1
16	116-1175	Decal, Service Aid Navigator	1
17	109-4638	Decal, Instrument Panel	1
18	117-2718	Decal, Spark Arrester	1
	103-9502	Kit, Decal	

NEW EXMARK PREMIUM HYDRO OIL



BENEFITS

- Designed & manufactured with superior anti-wear protection
- Superior thermal stability
- Consistent hydro performance
- Superior shear resistance under heavy loads
- Field tested & proven performance
- Twice the shear stability of competing oils
- Enhanced control performance
- Specially formulated for any Exmark hydraulic system

**NOW AVAILABLE
FOR PURCHASE**

Part No. 109-9828



SEE EXMARK'S COMPLETE LINE OF ACCESSORIES

MID-MOUNT RIDING ACCESSORIES

CUSTOM RIDE SEAT SUSPENSION SYSTEM	OPERATOR CONTROLLED DISCHARGE
FULL SUSPENSION SEAT	ROLL OVER PROTECTION SYSTEM (ROPS)
DECK LIFT ASSIST KIT	SUN SHADE
HITCH KIT	TRASH CONTAINER
LIGHT KIT	TURF STRIPER
12V POWER PORT	ULTRA VAC COLLECTION SYSTEM
MICRO-MULCH SYSTEM	ULTRA VAC QUICK DISPOSAL SYSTEM

OUT-FRONT RIDING ACCESSORIES

CUSTOM RIDE SEAT SUSPENSION SYSTEM	SNOW BLADE
DUAL-TAIL WHEEL	SNOWBLOWER
FLOOR PAN EXTENDER	SUN SHADE
HITCH KIT	TRASH CONTAINER
LIGHT KIT	ULTRA VAC COLLECTION SYSTEM
MICRO-MULCH SYSTEM	ULTRA VAC QUICK DISPOSAL SYSTEM
ROLL OVER PROTECTION SYSTEM (ROPS)	WEATHER CAB

WALK-BEHIND ACCESSORIES

GRASS CATCHER	TURF STRIPER
MICRO-MULCH SYSTEM	STANDON

Place Model No. and Serial No.
Label Here (Included in the Literature
Pack or Fill in Below)

Model No. _____

Serial No. _____

Date Purchased _____

Engine Model No. and Spec. No. _____

Engine Serial No. (E/No) _____

© 2010 Exmark Mfg. Co., Inc.
Industrial Park Box 808
Beatrice, NE 68310
All Rights Reserved

Part No. 4500-629 Rev. A
(402) 223-6300
Fax (402) 223-5489
Printed In USA.



www.exmark.com