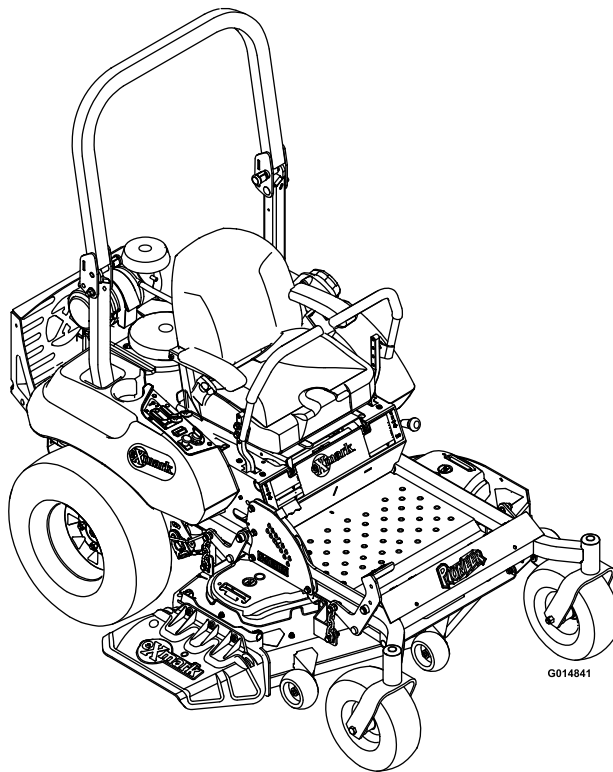




PIONEER S-SERIES

Model No. PNS24KA523—Serial No. 920000 and Up

Picture below may not reflect actual product.



Parts Manual

Part No. 4500-864 Rev. B

Ordering Replacement Parts

To order replacement parts, please supply the part number, the quantity, and the description of each part desired.

Understanding Reference Numbers

Each identified part in an illustration has a reference number. The reference number for a part also appears in the parts list, along with other information about the part.

This catalog uses two special reference number formats, one to indicate parts in a service assembly and another to indicate the quantity of a given part in an illustration.

Service Assembly Reference Numbers

Parts in service assemblies have reference numbers in the form a:b. The a represents the reference number of the entire service assembly and the b represents a sequential number unique to each part within the service assembly.

For example, a wheel assembly might be identified by reference number 6, the tire by 6:1, the valve by 6:2, and the wheel by 6:3. When you order the assembly identified by reference number 6, you receive all parts identified by reference numbers 6:1, 6:2, and 6:3. However, you may also order any part individually. Reference numbers of this type appear in illustration and in parts lists.

Reference Numbers Indicating Quantity

In an illustration, if a reference number indicates more than one part, the reference number has the form nX y. The n represents the quantity of the part, the X is the multiplication symbol, and the y represents the reference number.

For example, in an illustration, the reference number 2X 37 means that two of the parts identified by reference number 37 are indicated.

List of Abbreviations

AR: as required	HOC: height-of-cut	RRB: rear roller brush
ASM: assembly	HSBH: hex socket button head	SFH: slotted fillister head
BBC: blade brake control	HSFH: hex socket flat head	SHH: slotted hex head
BHTF: button head thread forming	HSH: hex socket head	SHWH: slotted hex washer head
CARR: carriage	HWH: hex washer head	SPH: slotted pan head
CCW: counter clockwise	HWTF: hex washer head thread forming	SQH: square head
CW: clockwise	HYD: hydraulic	SRH: slotted round head
DEG: degrees	LH: left hand	STD: standard
DPA: Dual Point Adjustment	LP: Liquid Propane	TAP: self tapping
ECM: electronic control module	NI: nylon insert	TTH: torx truss head
EXT: external	NPTF: national pipe thread fine	
FH: flat head	PFH: phillips flat head	
GA: gauge	PPH: phillips pan head	
HD: heavy-duty	PPHTF: phillips pan head thread forming	
HF: hex flange	PRH: phillips round head	
HH: hex head	PTH: phillips truss head	
HHF: hex head flange	PTO: power-take-off	
HHFTF: hex head flange thread forming	RH: right hand	
HJ: hex jam	ROPS: roll-over protection system	
HLH: hex lag head		

Touch Up Paint

Exmark black touch up spray paint – gloss black.

Exmark red touch up paint (spray paint – P/N 1-850337 - .6 oz liquid bottle – P/N 103-9140).

EXMARK PARTS PLUS

PARTS

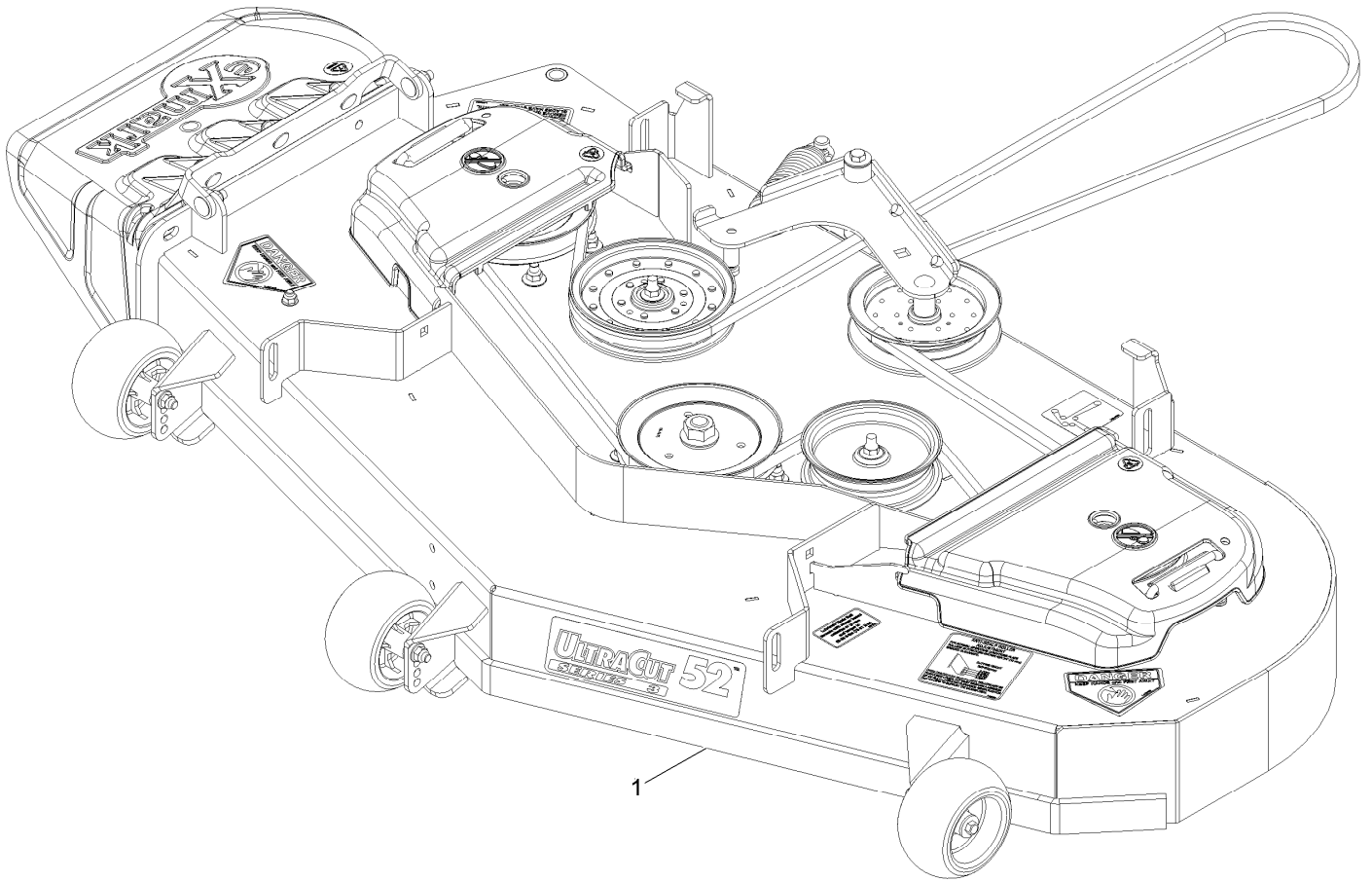
OVERNIGHT

OR *FREE**

If your Exmark dealer does not have the Exmark part in stock, Exmark will get the parts to the dealer the next business day or the part will be FREE Guaranteed!! (Some restrictions apply. See your participating Exmark Dealer for details.)

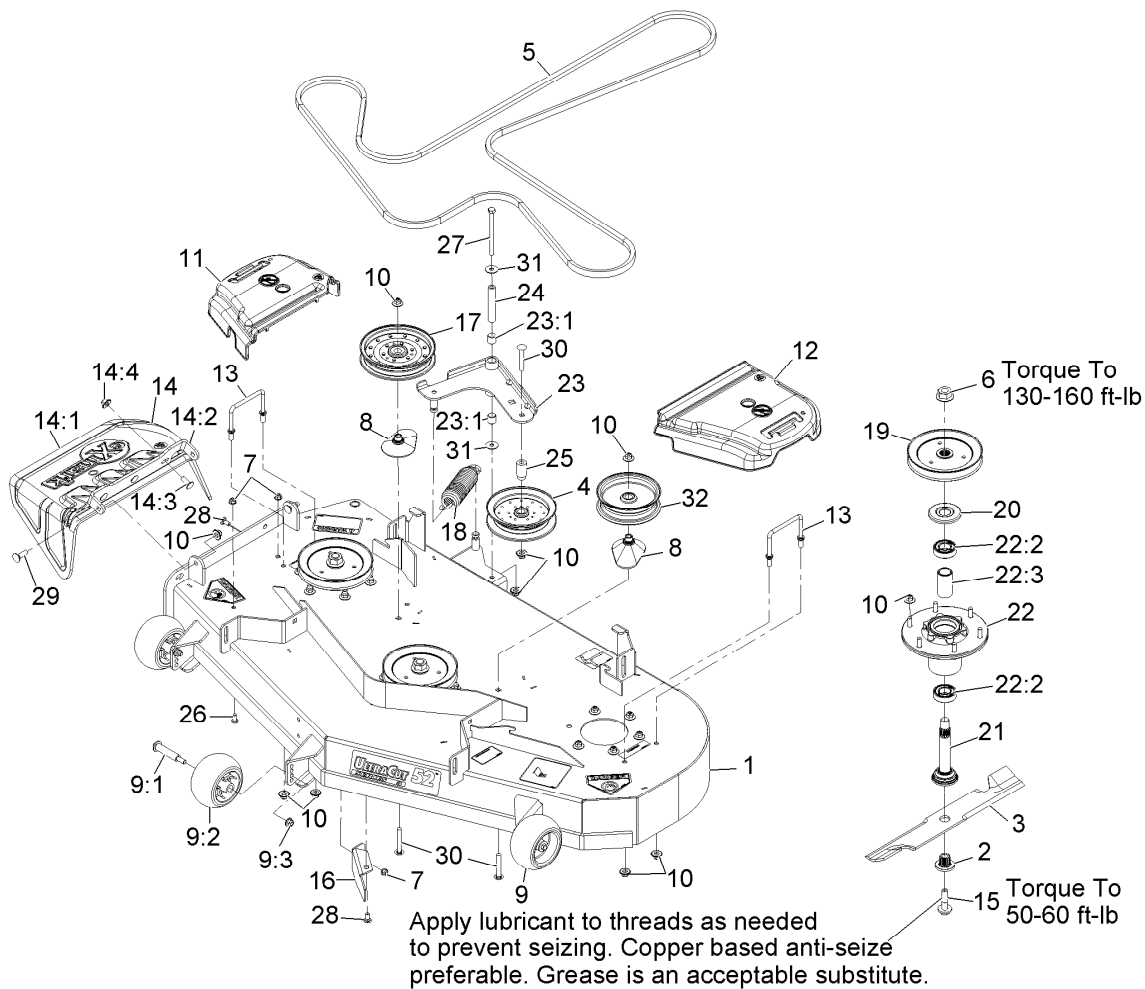
Contents

Complete Deck Assembly No. 116-4812	5
Deck Assembly	6
Deck W/Decals Assembly No. 116-3196	7
Main Frame Assembly	8
Main Frame W/Decals Assembly No. 116-4097	9
Caster Wheel Assembly No. 103-5189	10
Roll-Over Protection System Assembly No. 116-3498	11
Deck Lift Assembly	12
Motion Control Assembly	13
Motion Control Assembly - LH	14
Motion Control Assembly - RH	15
Seat Assembly	16
Seat W/Tracks Assembly No. 116-3692	17
Controls Assembly	18
Fuel Tank Mounting Assembly	19
Fuel Tank Assembly No. 116-4610	20
Engine Assembly	21
Hydraulic Assembly	22
Transaxle Assembly	23
Electrical Assembly	24



Complete Deck Assembly No. 116-4812

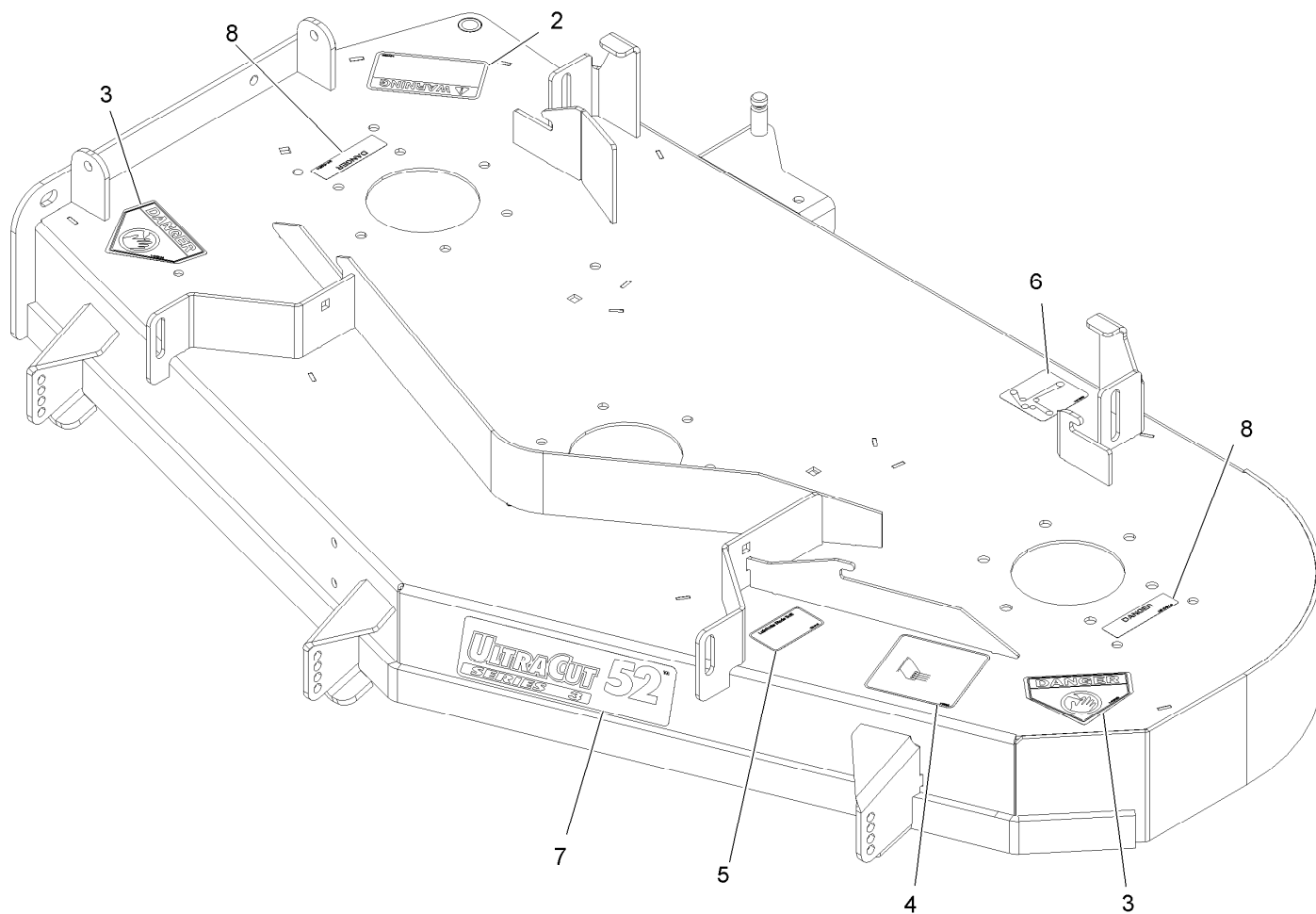
<i>Ref.</i>	<i>Part Number</i>	<i>Qty.</i>	<i>Description</i>
1	116-4812	1	ASM-Deck Complete 523



Deck Assembly

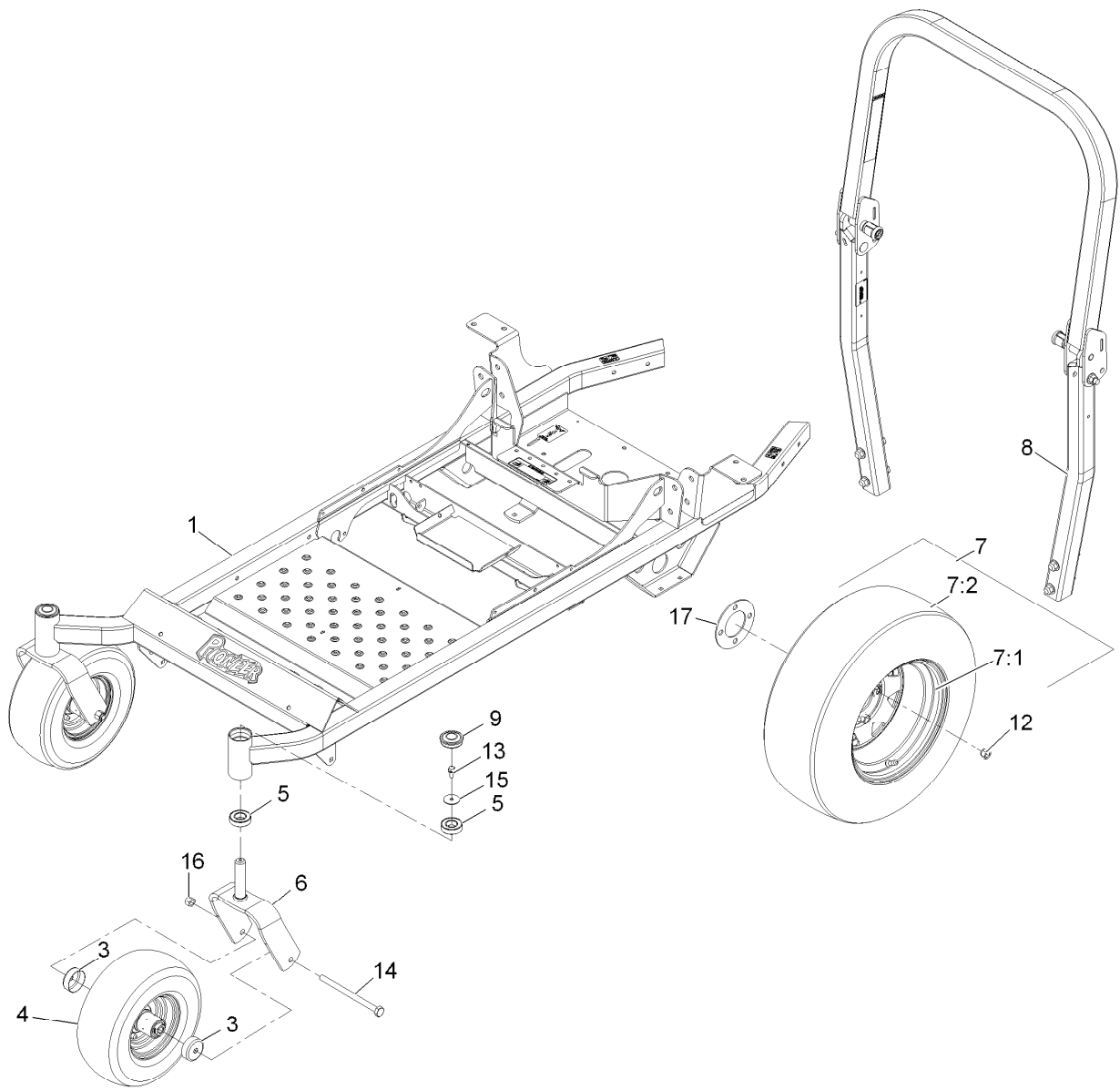
Ref.	Part Number	Qty.	Description	Ref.	Part Number	Qty.	Description
1	116-3196	1	ASM-Deck W/Decals, 52	14:2	109-8675-01	1	Bracket,Discharge Chute
2	103-3037	3	Bushing,Splined	14:3	3231-22	3	Bolt-Carriage 3/8-16 X 1
3	103-6382	3	Blade, Solid 18.0 (.94 Hole)	14:4	109-6658	3	Nut-Nyloc 3/8-16 Flg
3	103-6387	3	Blade, Low Lift 18.0 (.94 Hole)	15	109-9220	3	Screw-Sems 1/2-20 X 2.19
3	103-6402	3	Blade-Notched	16	109-9915-01	1	Baffle,Discharge 52/60
3	103-6397	3	Blade, Extreme 18.0 (.94 Hole)	17	114-5895	1	Pulley-Idler, Flat
3	103-6392	3	Blade, Mulch 18.0 (.94 Hole) ●	18	116-0133	1	Extension-Spring
4	103-8743	1	Pulley-Idler, Flanged	19	116-0675	3	Sheave,Blade Drive 6.50
5	103-9273	1	Belt-B162.50	20	116-1286	3	Guard,Bearing Top .989
6	104-0753	3	Nut-Hex 3/4-16 Flg Special	21	116-3342	3	ASM-Spindle And Seal
7	104-8300	3	Nut-Nyloc 5/16-18 Flg	22	116-3344	3	ASM-Cutter Hsg With Bearings
8	109-2872	2	Spacer-Pulley	22:2	116-0720	2	Bearing-Ball, 25Mm
9	109-6388	3	Anti-Scalp Roller Kit	22:3	116-3312	1	Spacer-Bearing
9:1	112-3977	1	Bolt-HH Shoulder 3/8-16 X 3.79	23	116-4693	1	ASM-Idler Arm
9:2	1-603299	1	Roller-Scalp, Anti	23:1	1-513034	2	Sleeve-Bearing
9:3	104-8301	1	Nut-Nyloc 3/8-16 Flg	24	116-5111	1	Bushing
10	109-6658	28	Nut-Nyloc 3/8-16 Flg	25	116-4714	1	Bushing-Idler
11	109-6935	1	Cover-Belt, RH	26	322-2	1	Screw-HH 5/16-18 X 5/8
12	109-6936	1	Cover-Belt, LH	27	323-38	1	Screw-HH 3/8-16 X 4 3/4
13	109-6982	2	Wireform-Cover	28	3230-1	2	Bolt-Carriage 5/16-18 X 3/4
14	109-7188	1	ASM,Discharge Chute	29	3231-25	2	Bolt-Carriage 3/8-16 X 1 1/4
14:1	109-2738	1	Chute,Discharge	30	3231-44	3	Bolt-Carriage 3/8-16 X 2 1/2
				31	52-2860	2	Washer
				32	99-8912	1	Pulley-Idler, Flat

● Requires installation of mulch kit for proper mulching. See your Exmark dealer for details.



Deck W/Decals Assembly No. 116-3196

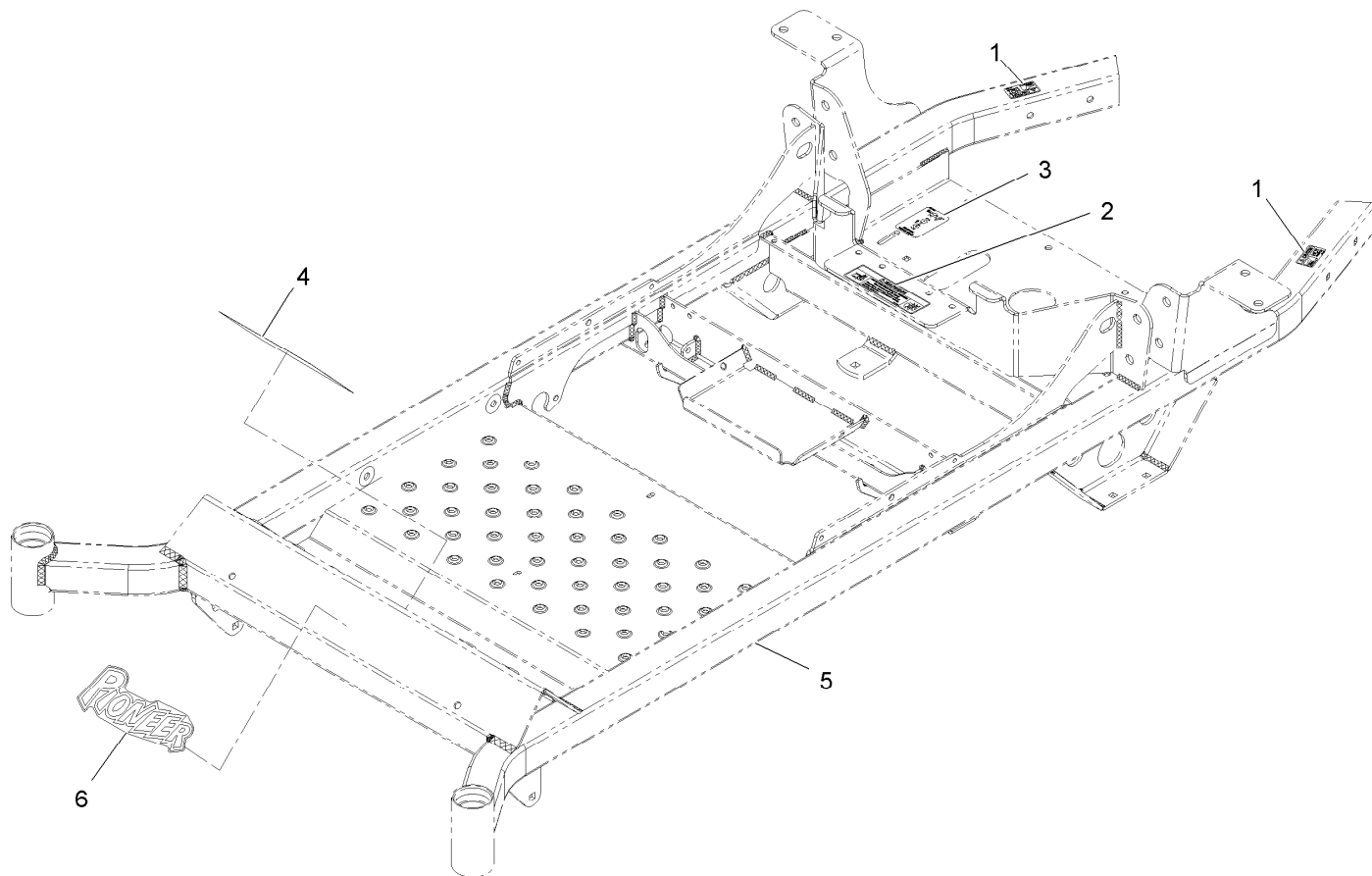
<i>Ref.</i>	<i>Part Number</i>	<i>Qty.</i>	<i>Description</i>
2	1-303508	1	Decal-Warning, Discharge
3	1-403005	2	Decal-Danger
4	1-633922	1	Decal,Antiscalp
5	109-3148	1	Decal,Bolt Torque
6	109-6035	1	Decal-Belt Routing
7	116-4699	1	Decal-Ultracut 52 Series 3
8	98-5954	2	Decal-Cover, Missing



Main Frame Assembly

Ref.	Part Number	Qty.	Description	Ref.	Part Number	Qty.	Description
1	116-4095	1	Frame ASM-44	8	116-3498	1	ASM-ROPS Pioneer
3	103-2768	4	Guard-Seal	9	116-4348	2	Cap-Grease
4	103-5189	2	ASM, Wheel & Tire W/ Axle	12	242-50	8	Nut-Lug 1/2-20
5	109-3678	4	Bearing-Ball	13	3234-5	2	Screw-HH Flg 5/16-18 X 3/4
6	116-0611-01	2	Wld,Caster Fork	14	325-36	2	Screw-HH 1/2-13 X 7 1/2
7	116-3166	2	ASM,Wheel And Tire 22 X 9.50 - 12	15	3256-68	2	Washer-Flat
7:1	116-3167	1	Wheel	16	3296-23	2	Nut-Nyloc 1/2-13
7:2	116-1948	1	Tire	17	116-5362	2	Spacer-Wheel ●

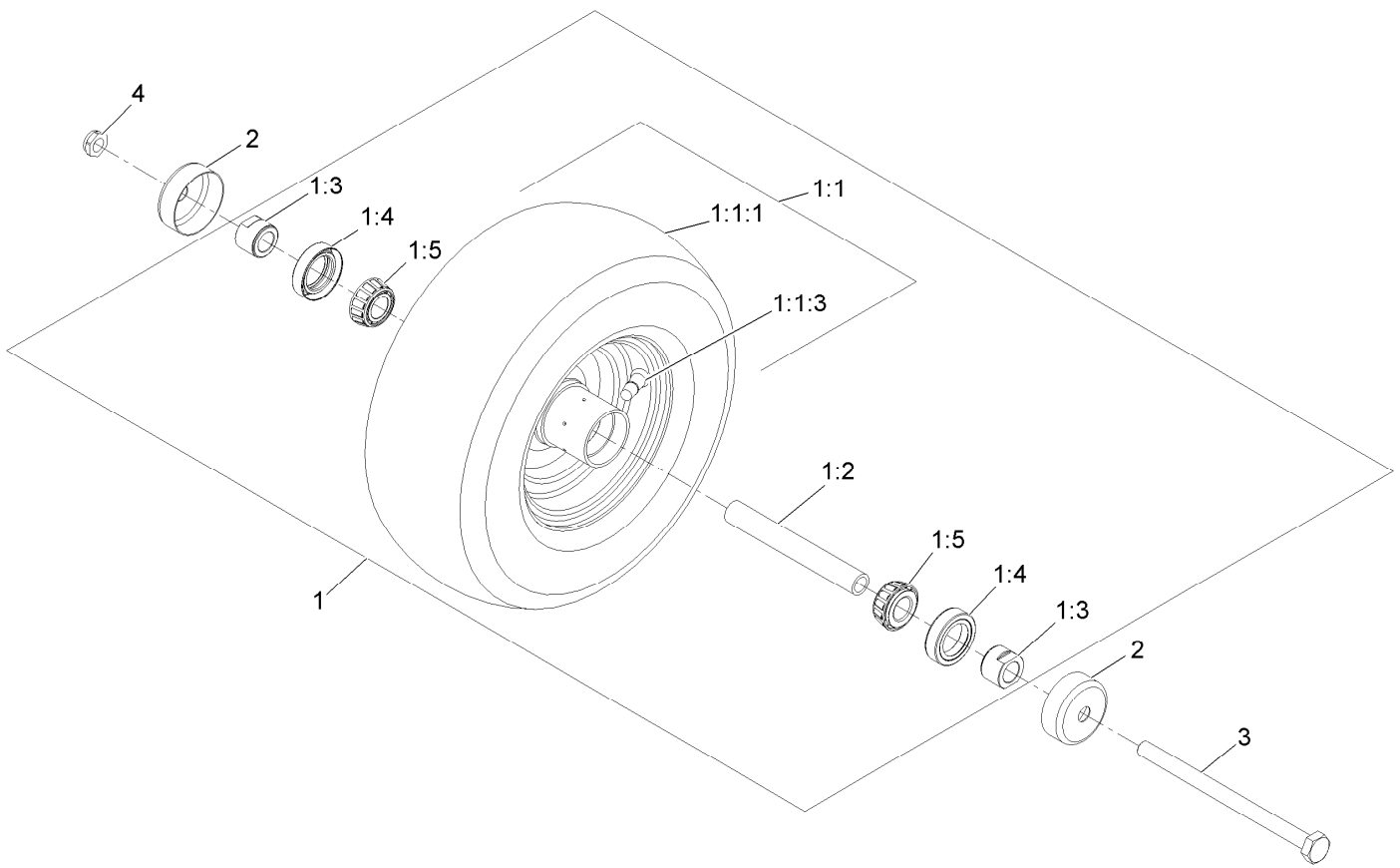
● May not be included on all units.



Main Frame W/Decals Assembly No. 116-4097

<i>Ref.</i>	<i>Part Number</i>	<i>Qty.</i>	<i>Description</i>
1	103-2076	2	Decal-Caution
2	116-1119	1	Decal, Belt Drive
3	116-1121	2	Decal, Drive Release
4	116-3303	1	Decal-Slope
5		1	Frame-48-52 ●
6	116-4570	1	Decal-Pioneer Logo

● Not serviced separately

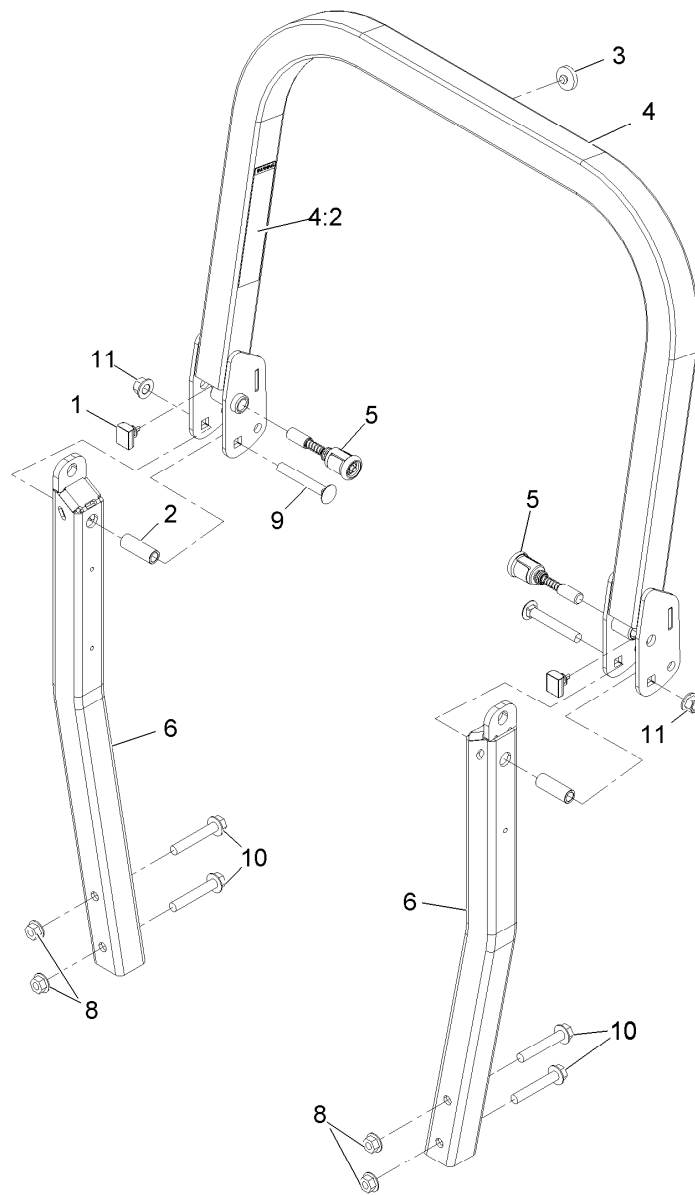


Caster Wheel Assembly No. 103-5189

Ref.	Part Number	Qty.	Description
1		1	ASM, Wheel And Brg 13X5.00-6 ●
1:1		1	ASM, Wheel And Tire 13X5.00-6 ●
1:1:1	1-633002	1	Tire
1:1:3	5108	1	Valve
1:2	103-3155	1	Axle-Caster
1:3	103-3051	2	Spacer-Nut ■
1:4	103-0063	2	Seal-Double Lip
1:5	1-633585	2	Bearing-Cone Tapered Roller
2	103-2768	2	Guard-Seal
3	325-36	1	Screw-HH 1/2-13 X 7 1/2
4	3296-45	1	Nut-Lock, NI

● Not serviced separately

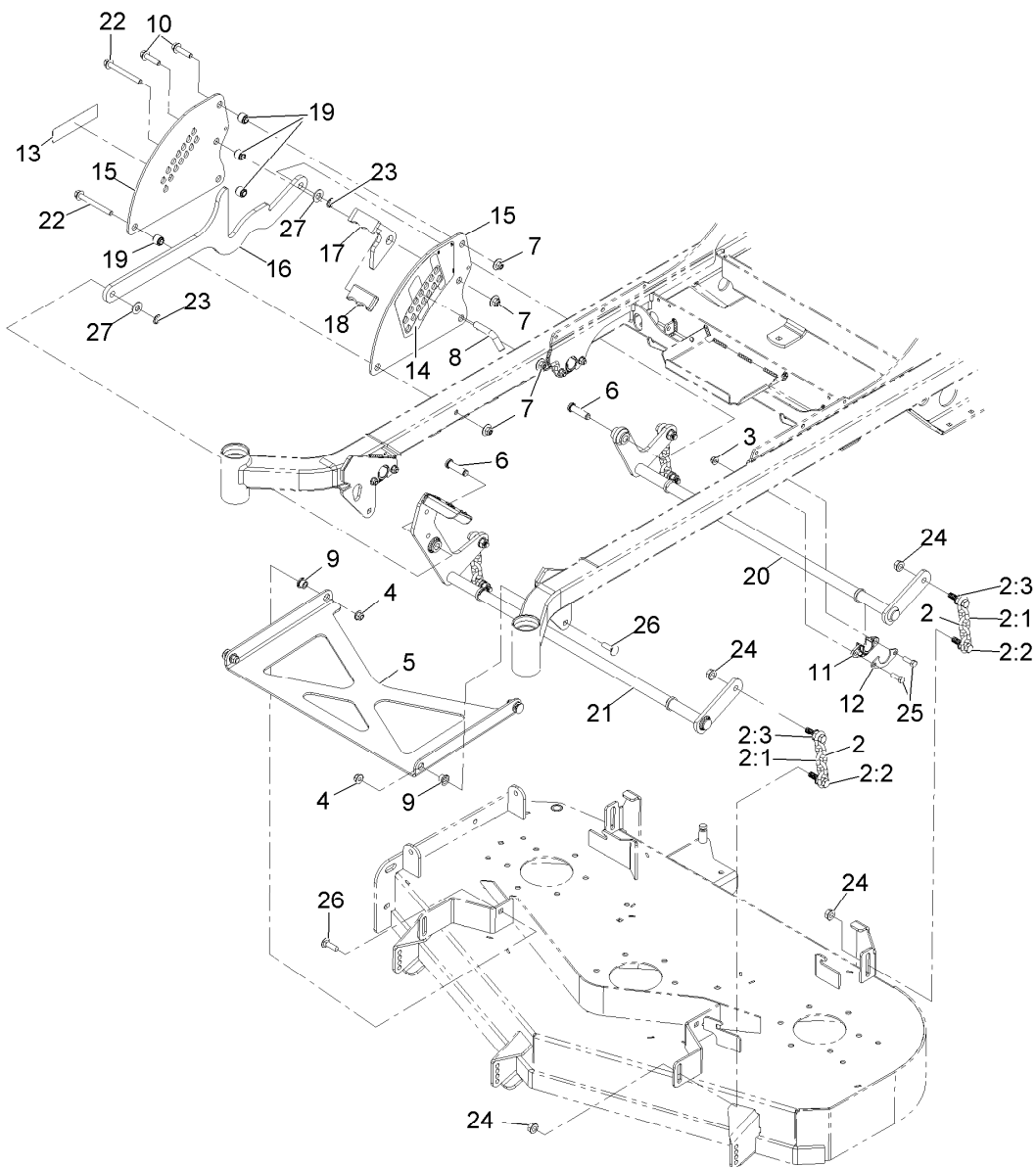
■ Use Pro-Lock, Nut Type (P/N 1-840022, .5ml tube) on threads.



Roll-Over Protection System Assembly No. 116-3498

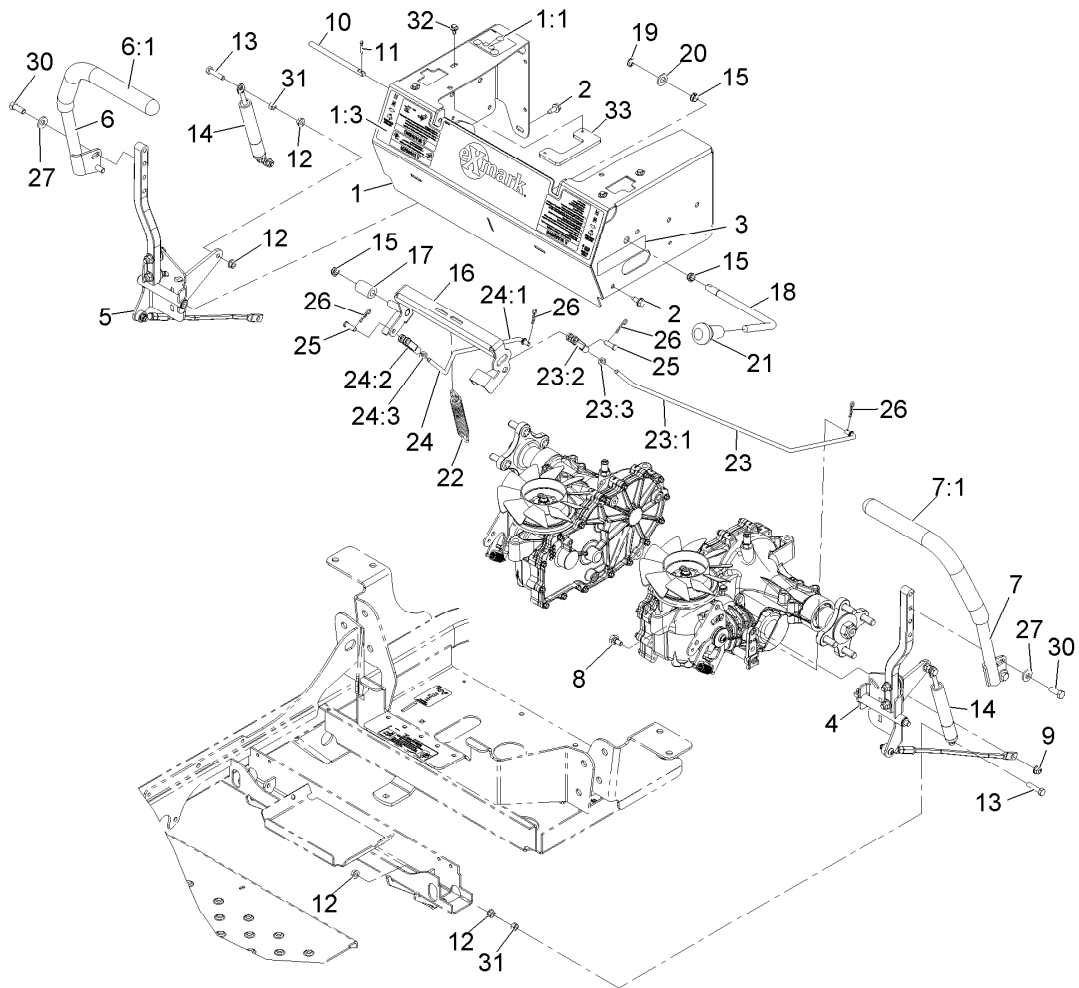
Ref.	Part Number	Qty.	Description
1	109-5337	2	Bumper-ROPS
2	109-6653	2	Spacer
3	109-9233	1	Bumper-Push-In, Rubber
4	116-0019	1	Upper ROPS ASM
4:2	107-2102	1	Decal-Warning, Folding ROPS
5	116-0104	2	Spring Pin ASM
6		2	ASM-Lwr ROPS Leg ●
8	32128-49	4	Nut-Whizlock 1/2-13
9	3233-10	2	Bolt-Carriage 1/2-13 X 3 1/2
10	3234-40	4	Screw-HF
11	99-5107	2	Nut-Lock 1/2-13

● Not serviced separately



Deck Lift Assembly

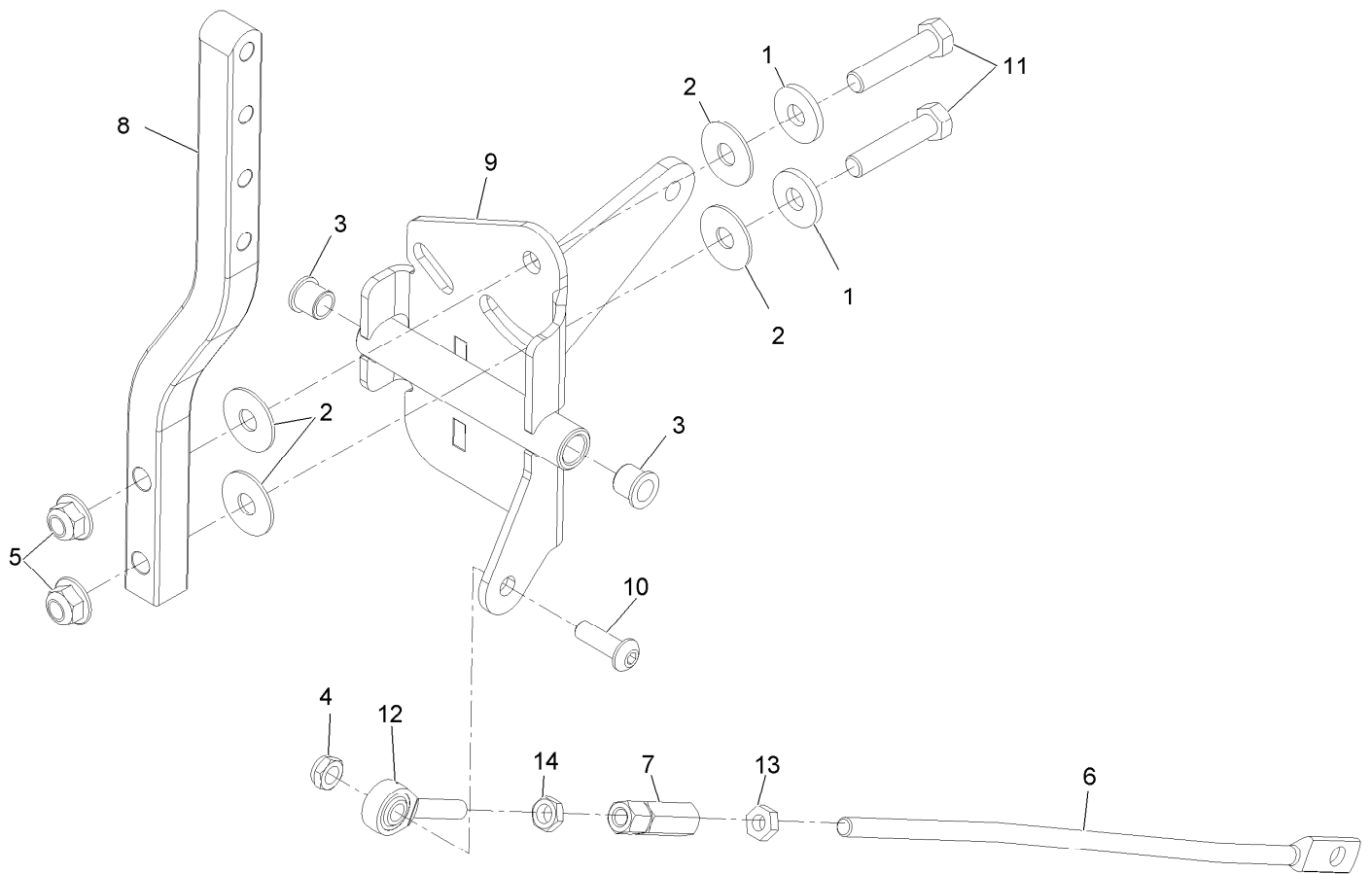
<i>Ref.</i>	<i>Part Number</i>	<i>Qty.</i>	<i>Description</i>	<i>Ref.</i>	<i>Part Number</i>	<i>Qty.</i>	<i>Description</i>
2	103-9817	4	Deck Chain ASM	13	116-3884	1	Decal-S-Series
2:1	1-633447	1	Chain-Lift, Deck	14	116-4308	1	Decal-Height Of Cut
2:2	103-1898	2	Screw-HH 7/16-20 X 1-5/8	15	116-4309-03	2	Plate,Deck Lift
			Sp	16	116-4310-03	1	Link-HOC
2:3	32128-37	2	Nut-Whizlock 7/16-14	17	116-4311	1	Transport Lock-HOC
3	104-8300	8	Nut-Nyloc 5/16-18 Flg	18	116-4312	1	Grip-3/8 X 1 Flat Bar
4	104-8301	4	Nut-Nyloc 3/8-16 Flg	19	116-4313	4	Spacer-Double Step
5	109-3723-01	1	Strut-Deck	20	116-4314-03	1	Wld,Deck Lift Shaft-Rear
6	109-5819	2	Pin-Clevis	21	116-4315-03	1	Wld,Deck Lift Shaft-Frt
7	109-6658	4	Nut-Nyloc 3/8-16 Flg	22	116-4701	2	Screw-HHF
8	109-8757	1	Pin-HOC	23	32120-47	2	Ring-Retaining
9	109-8788	4	Bushing-Flanged	24	32128-37	8	Nut-Whizlock 7/16-14
10	114-4681	2	Screw-HHF	25	322-5	8	Screw-HH 5/16-18 X 1
11	115-5065	4	Bushing-Flange	26	3231-25	4	Bolt-Carriage 3/8-16 X 1 1/4
12	116-2887	4	Gusset - Deck Lift	27	3256-26	2	Washer-1/2 Sae



Motion Control Assembly

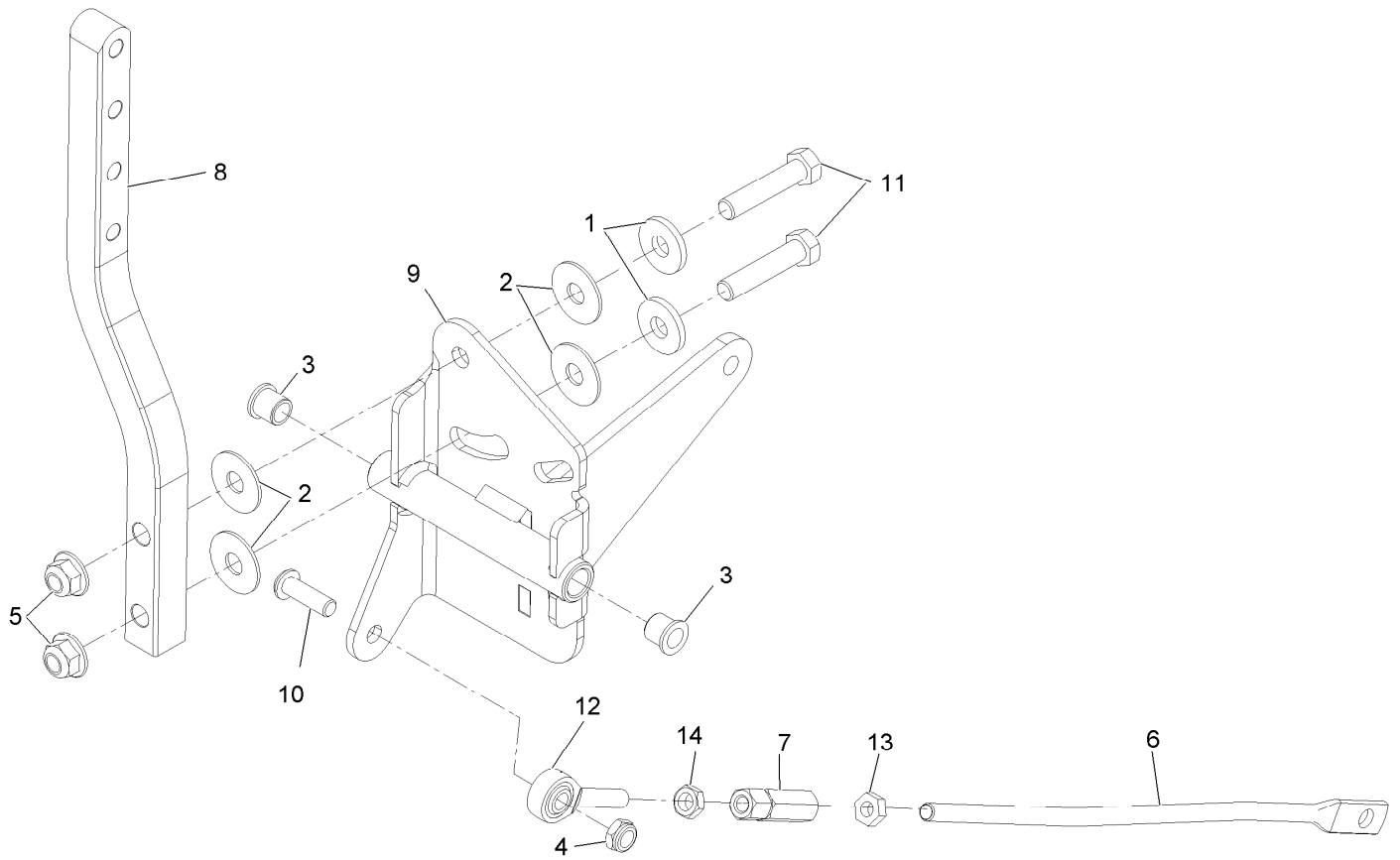
Ref.	Part Number	Qty.	Description	Ref.	Part Number	Qty.	Description
1	116-3188	1	ASM-Mot Ctrl Frm W/Dcl	16	116-1177	1	Wld,Brake Center Arm
1:1	109-6014	1	Decal-Belt Routing	17	109-5010	1	Spacer
1:3	116-4430	1	Decal-Front Panel	18	116-3155	1	Handle,Brake
2	32144-70	6	Screw-HWH 5/16-18 X 3/4 Tf	19	32120-47	1	Ring-Retaining
3	116-3884	1	Decal-S-Series	20	106-9888	1	Washer-Flat
4		1	Motion Control ASM-LH ●	21	106-7952	1	Knob
5		1	Motion Control ASM-RH ●	22	88-6130	1	Spring-Deck, Engagement
6	119-3486	1	RH Handle ASM	23	116-1165	1	Brake Linkage ASM-LH
6:1	108-6187	1	Grip	23:1	116-1167	1	Linkage,Brake LH
7	119-3485	1	LH Handle ASM	23:2	1-303105	1	Yoke-Adjustable
7:1	108-6187	1	Grip	23:3	3220-2	1	Nut-Jam 5/16-24
8	37-8771	2	Screw-Shoulder 5/16-18 X 5/8	24	116-1166	1	Brake Linkage ASM-RH
9	104-8300	2	Nut-Nyloc 5/16-18 Flg	24:1	116-1168	1	Linkage-Brake, RH
10	109-3705	2	Pin-Control Pivot	24:2	1-303105	1	Yoke-Adjustable
11	3272-10	2	Pin-Cotter 1/8 X 3/4	24:3	3220-2	1	Nut-Jam 5/16-24
12	32128-20	8	Nut-Whizlock 5/16-18	25	1-808280	2	Pin-Clevis 5/16 X 1 49/64
13	1-403180	4	Screw-HH 5/16-18 X 1 1/4 Sp	26	1-806003	4	Hairpin-Cotter
14	109-5957	2	Damper-Motion Control	27	98-5975	4	Washer-Spring Disc 3/8
15	116-1393	3	Bushing,Snap	30	323-6	4	Screw-HH 3/8-16 X 1
				31	3217-6	4	Nut-Hex 5/16-18
				32	46-8560	4	Screw-HHF 1/4-20 X 1/2
				33	109-6214	2	Stop-Motion Control

● Not serviced separately



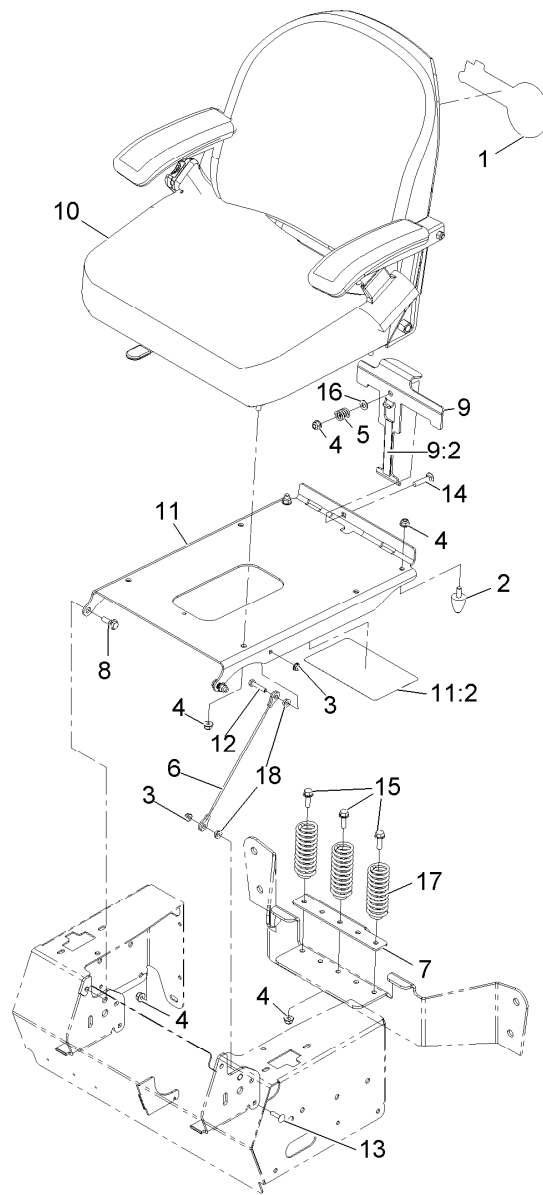
Motion Control Assembly - LH

Ref.	Part Number	Qty.	Description
1	5-0838	2	Washer
2	52-2900	4	Washer-Plastic
3	103-9928	2	Bearing
4	3296-47	1	Nut-Nyloc 5/16-18 Thin
5	104-8301	2	Nut-Nyloc 3/8-16 Flg
6	116-2543	1	Link,Motion Control
7	109-3728	1	Nut-Rod Adjustment
8	116-3183	1	Arm-Motion Control
9	116-3176	1	LH Control Pivot ASM
10	3274-104	1	Screw-Button Head 5/16-18 X 1
11	323-9	2	Screw-HH 3/8-16 X 1 3/4
12	2411-53	1	Balljoint LH
13	3220-2	1	Nut-Jam 5/16-24
14	3220-20	1	Nut-Jam 5/16-24 LH



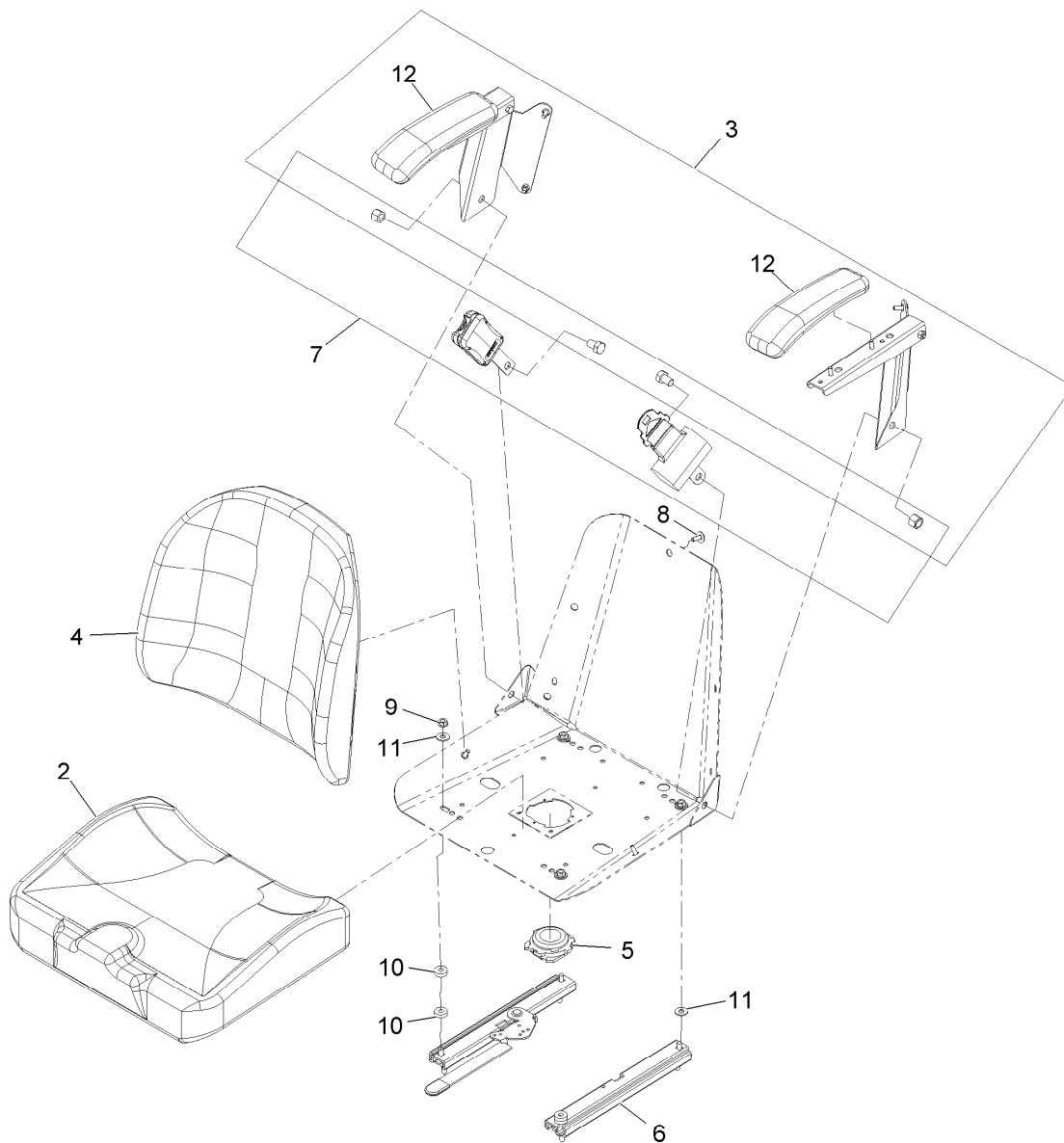
Motion Control Assembly - RH

<i>Ref.</i>	<i>Part Number</i>	<i>Qty.</i>	<i>Description</i>
1	5-0838	2	Washer
2	52-2900	4	Washer-Plastic
3	103-9928	2	Bearing
4	3296-47	1	Nut-Nyloc 5/16-18 Thin
5	104-8301	2	Nut-Nyloc 3/8-16 Flg
6	116-2543	1	Link, Motion Control
7	109-3728	1	Nut-Rod Adjustment
8	116-3183	1	Arm-Motion Control
9	116-3179	1	RH Control Pivot ASM
10	3274-104	1	Screw-Button Head 5/16-18 X 1
11	323-9	2	Screw-HH 3/8-16 X 1 3/4
12	2411-53	1	Balljoint LH
13	3220-2	1	Nut-Jam 5/16-24
14	3220-20	1	Nut-Jam 5/16-24 LH



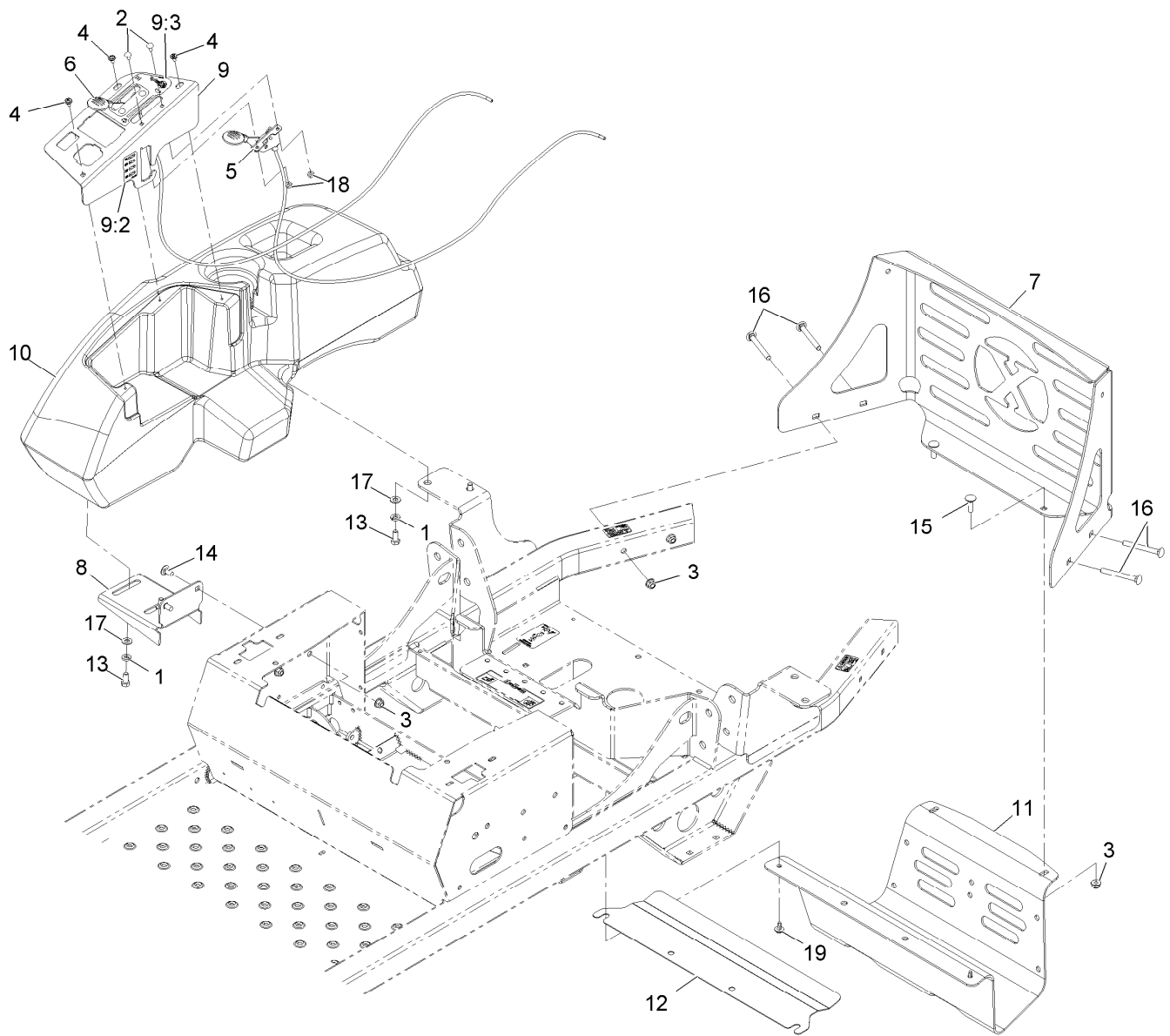
Seat Assembly

<i>Ref.</i>	<i>Part Number</i>	<i>Qty.</i>	<i>Description</i>	<i>Ref.</i>	<i>Part Number</i>	<i>Qty.</i>	<i>Description</i>
1	103-2882	1	Decal,Exmark Logo	11	116-4418	1	Plate, Seat W/Decals
2	103-9376	2	Bumper-Seat	11:2	109-6016	1	Decal-Service Aid
3	104-7201	2	Nut-Nyloc 1/4-20 Flg	12	321-8	1	Screw-HH 1/4-20 X 1 1/4
4	104-8300	12	Nut-Nyloc 5/16-18 Flg	13	3229-2	1	Bolt-Carriage 1/4-20 X 1
5	107-3017	1	Spring-Compression	14	3230-4	1	Bolt-Carriage 5/16-18 X 1 1/2
6	109-2628	1	Cable-Stop, Seat	15	3234-29	3	Screw-HH Flg 5/16-18 X 1
7	116-0871	1	Catch,Seat Latch	16	3256-23	1	Washer-5/16 Sae
8	116-1297	2	Screw-Shoulder	17	92-7054	3	Spring-Compression
9	116-3121	1	ASM-Seat Latch	18	32128-33	2	Nut-Whizlock 1/4-20
9:2	116-3120	1	Strip-Poly Wear				
10	116-3692	1	ASM-Seat Service				



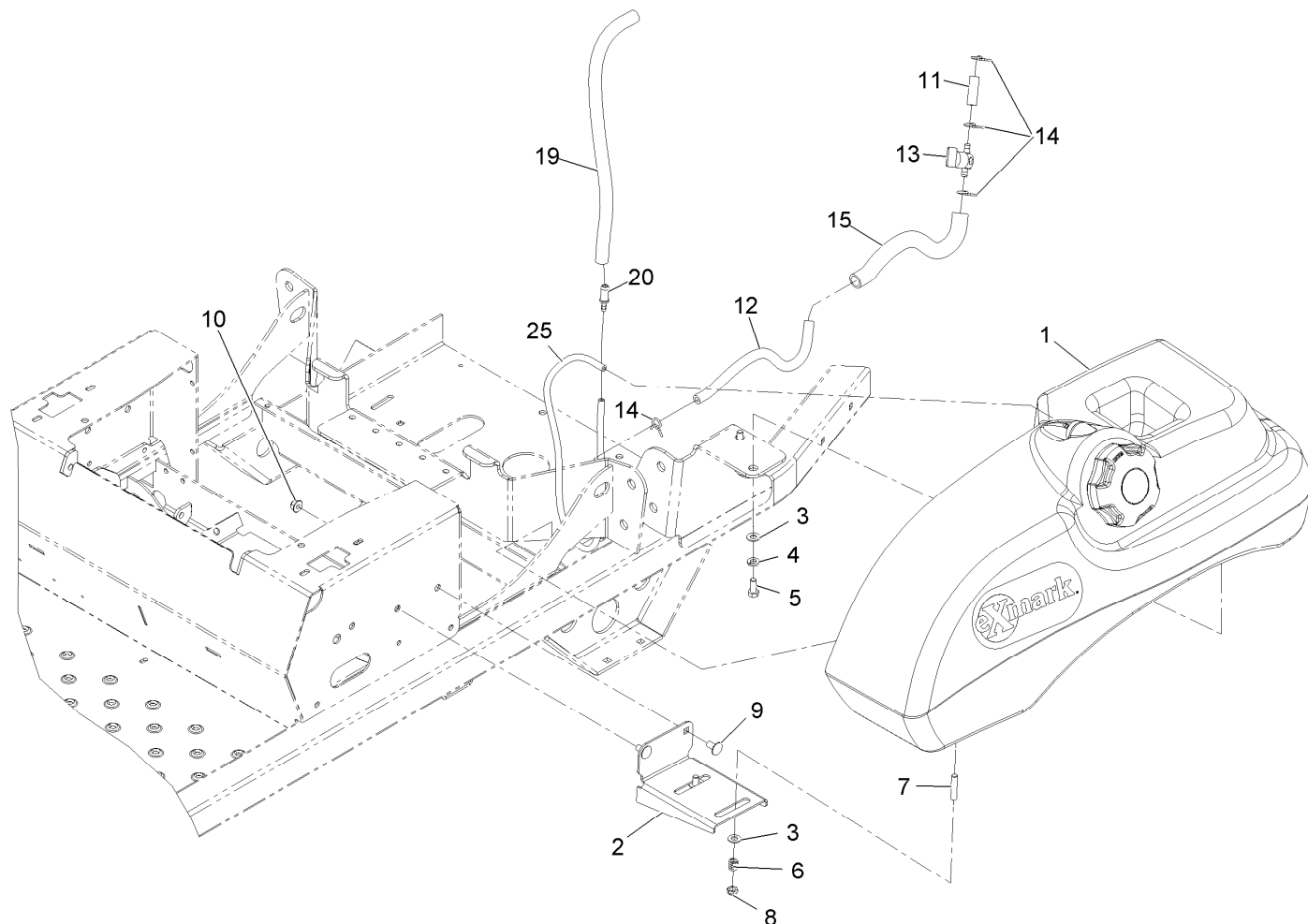
Seat W/Tracks Assembly No. 116-3692

<i>Ref.</i>	<i>Part Number</i>	<i>Qty.</i>	<i>Description</i>
2	116-3737	1	Cushion,Seat Bottom
3	110-5719	1	Armrest Kit
4	116-3738	1	Cushion,Seat Back
5	116-2878	1	Switch-Seat
6	1-643255	1	Track-Seat
7	116-2981	1	Seat Belt Kit
8	103-8383	7	Screw-HWH 1/4-20 X 3/4 Taptite
9	32128-20	4	Nut-Whizlock 5/16-18
10	26-4840	4	Spacer-Pin, Mounting
11	3256-3	6	Washer-5/16 Std
12	110-4163	2	Cushion-Rest, Arm



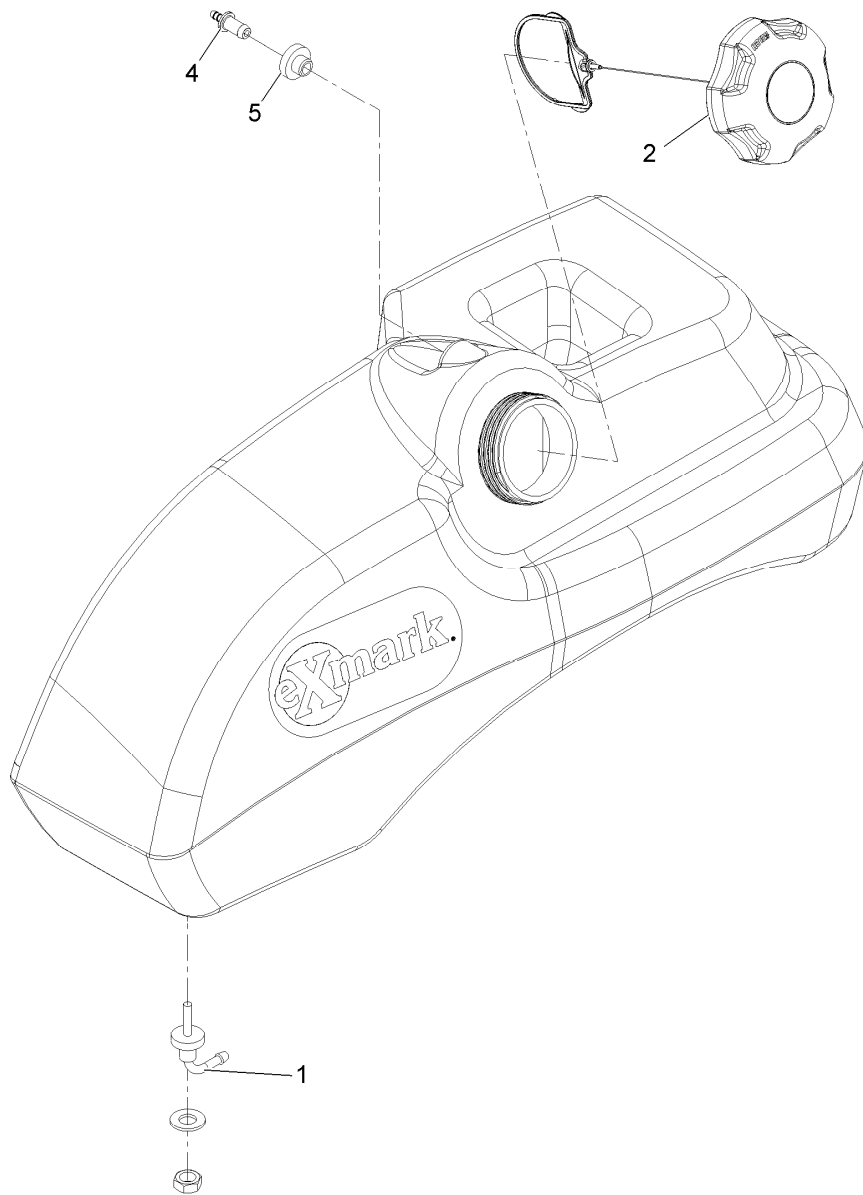
Controls Assembly

Ref.	Part Number	Qty.	Description	Ref.	Part Number	Qty.	Description
1	1-805005	4	Washer-Lock 5/16 Heavy	10	116-4138	1	Console,RH
2	1-807513	4	Bolt-Carriage #10-24 X 1/2	11	116-4708-03	1	Guard-Muffler
3	104-8300	8	Nut-Nyloc 5/16-18 Flg	12	116-4709-03	1	Shield-Heat Deflector
4	109-2661	3	Screw-PPH #10-24 X 1/2	13	322-3	4	Screw-HH 5/16-18 X 3/4
5	116-4919	1	Control,Throttle	14	3230-18	2	Bolt-Carriage 5/16-18 X 5/8
6	109-8747	1	Control,Choke	15	3230-2	2	Bolt-Carriage 5/16-18 X 1
7	116-3453-03	1	Panel,Rear Guard	16	3230-9	4	Bolt-Carriage 5/16-18 X 2 3/4
8	116-3495-03	1	Bracket-Tank And Fender	17	3256-23	4	Washer-5/16 Sae
9	116-3496	1	ASM,Control Panel W/Decal	18	3296-2	4	Nut-Nyloc #10-24
9:2	116-1496	1	Decal,Fuse Block	19	46-8560	2	Screw-HHF 1/4-20 X 1/2
9:3	116-4465	1	Decal-Throttle Choke				



Fuel Tank Mounting Assembly

Ref.	Part Number	Qty.	Description	Ref.	Part Number	Qty.	Description
1	116-4610	1	ASM-Fuel Tank	10	104-8300	2	Nut-Nyloc 5/16-18 Flg
2	116-3495-03	1	Bracket-Tank And Fender	11	106-9492	1	Hose-Fuel
3	3256-23	4	Washer-5/16 Sae	12	109-0282	1	Hose-Fuel
4	1-805005	2	Washer-Lock 5/16 Heavy	13	1-603770	1	Valve-Fuel
5	322-3	2	Screw-HH 5/16-18 X 3/4	14	1-303077	4	Clamp
6	1-633349	2	Spring-Compression	15	116-4515	1	Conduit-Fuel Line
7	1-633023	2	Stud-Fuel Tank	19	116-4344	1	Hose-Fuel
8	3296-47	2	Nut-Nyloc 5/16-18 Thin	20	116-4630	1	Fitting-Straight Orifice
9	3230-18	2	Bolt-Carriage 5/16-18 X 5/8	25	116-4802	1	Hose,Emissions



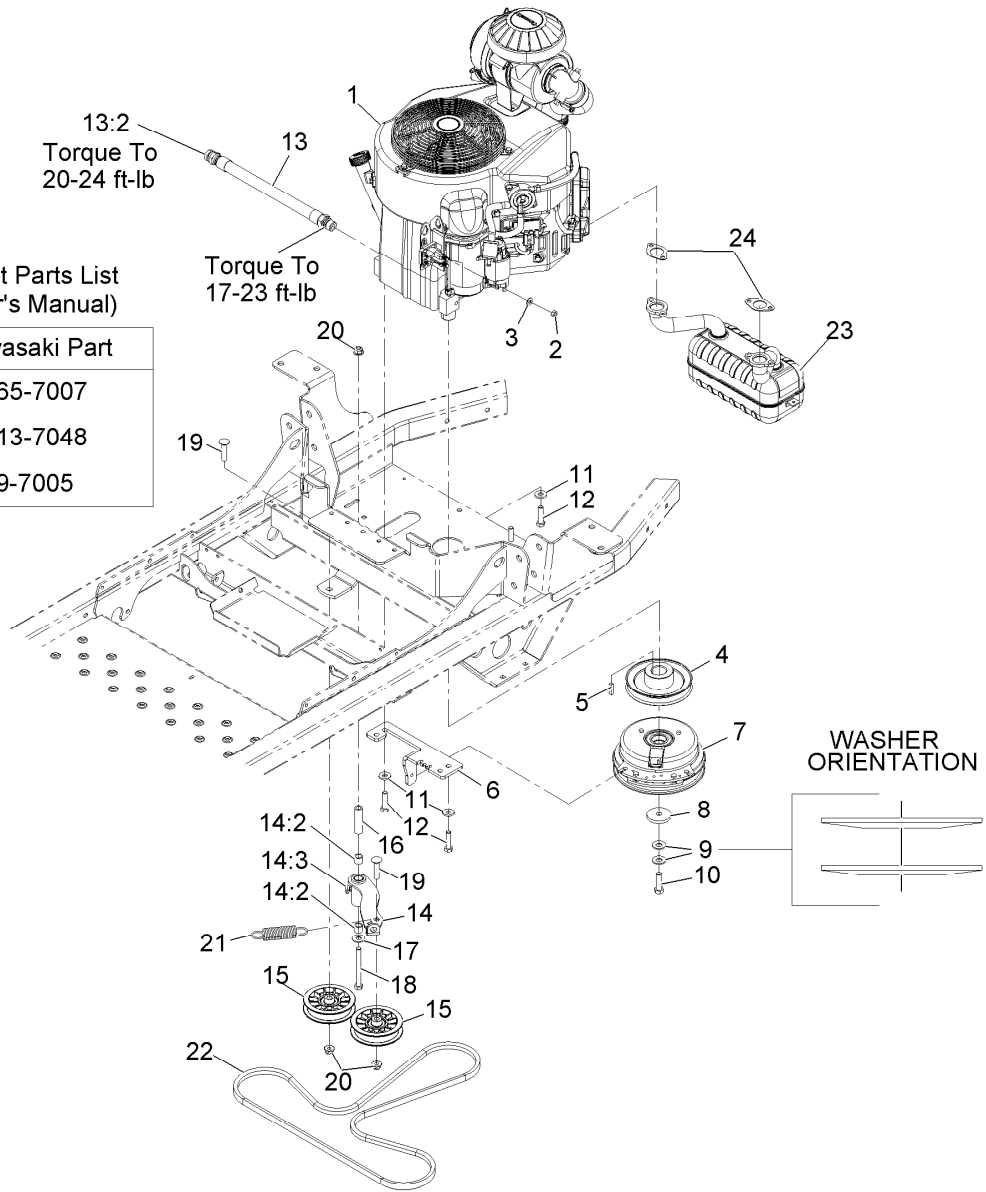
Fuel Tank Assembly No. 116-4610

<i>Ref.</i>	<i>Part Number</i>	<i>Qty.</i>	<i>Description</i>
1	103-2605	1	Fitting-Fuel Bulkhead W/Strainer ●
2	120-5461	1	Cap-Fuel, Ratcheting
4	116-4630	1	Fitting-Straight Orifice
5	46-6560	1	Bushing

● Use Pro-Lock, Nut Type (P/N 1-840022, .5ml tube) on threads.

Kawasaki Replacement Parts List
(Refer To Engine Owner's Manual)

Description	Kawasaki Part
Engine Oil Filter	49065-7007
Engine Air Filter	11013-7048
Fuel Filter	4019-7005



Engine Assembly

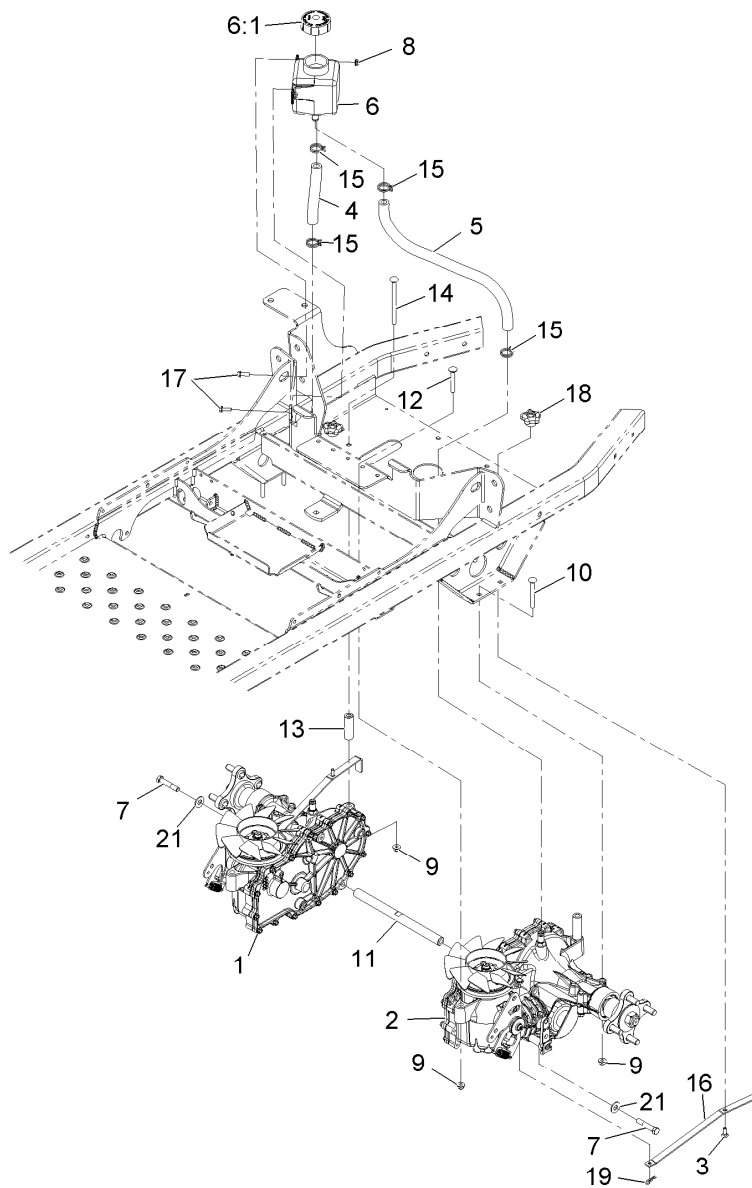
Ref.	Part Number	Qty.	Description	Ref.	Part Number	Qty.	Description
1		1	Engine-Kawasaki, Fx691V-S17-R ●■	13:2	109-1012	1	Plug
2	3217-5	1	Nut-Hex 1/4-20	14	116-4729	1	ASM-Idler Arm W/Bearings
3	3256-22	1	Washer-1/4 Sae	14:2	1-513034	2	Sleeve-Bearing
4	116-1946	1	Sheave-Pump, Drive	14:3	302-40	1	Zerk-90° 1/4-28
5	1-807259	1	Key-Machine 1/4 X 1/4 X 1	15	116-2456	2	Pulley-Flat, 3.50 Dia
6	116-4773-03	1	Anchor-Clutch	16	1-603384	1	Bushing-Pivot, Idler
7	116-1947	1	Clutch	17	3256-4	1	Washer-3/8 Std
8	109-6919	1	Washer-Clutch	18	323-15	1	Screw-HH 3/8-16 X 3 1/2
9	1-603610	2	Washer-Spring Disc 7/16	19	3231-5	2	Bolt-Carriage 3/8-16 X 1 3/4
10	109-9761	1	Screw-HH 7/16-20 X 1 1/2 W/Loctite ◆	20	104-8301	3	Nut-Nyloc 3/8-16 Flg
11	98-5975	4	Washer-Spring Disc 3/8	21	1-603402	1	Spring-Extension
12	323-8	4	Screw-HH 3/8-16 X 1 1/2	22	115-9613	1	V-Belt
13	109-4490	1	Oil Drain Hose ASM ▲	23	117-7256	1	Muffler-Kawasaki
				24	1-653313	2	Gasket-Exhaust

● Not serviced separately

▲ Use a Teflon Pipe Sealant or equivalent on threads.

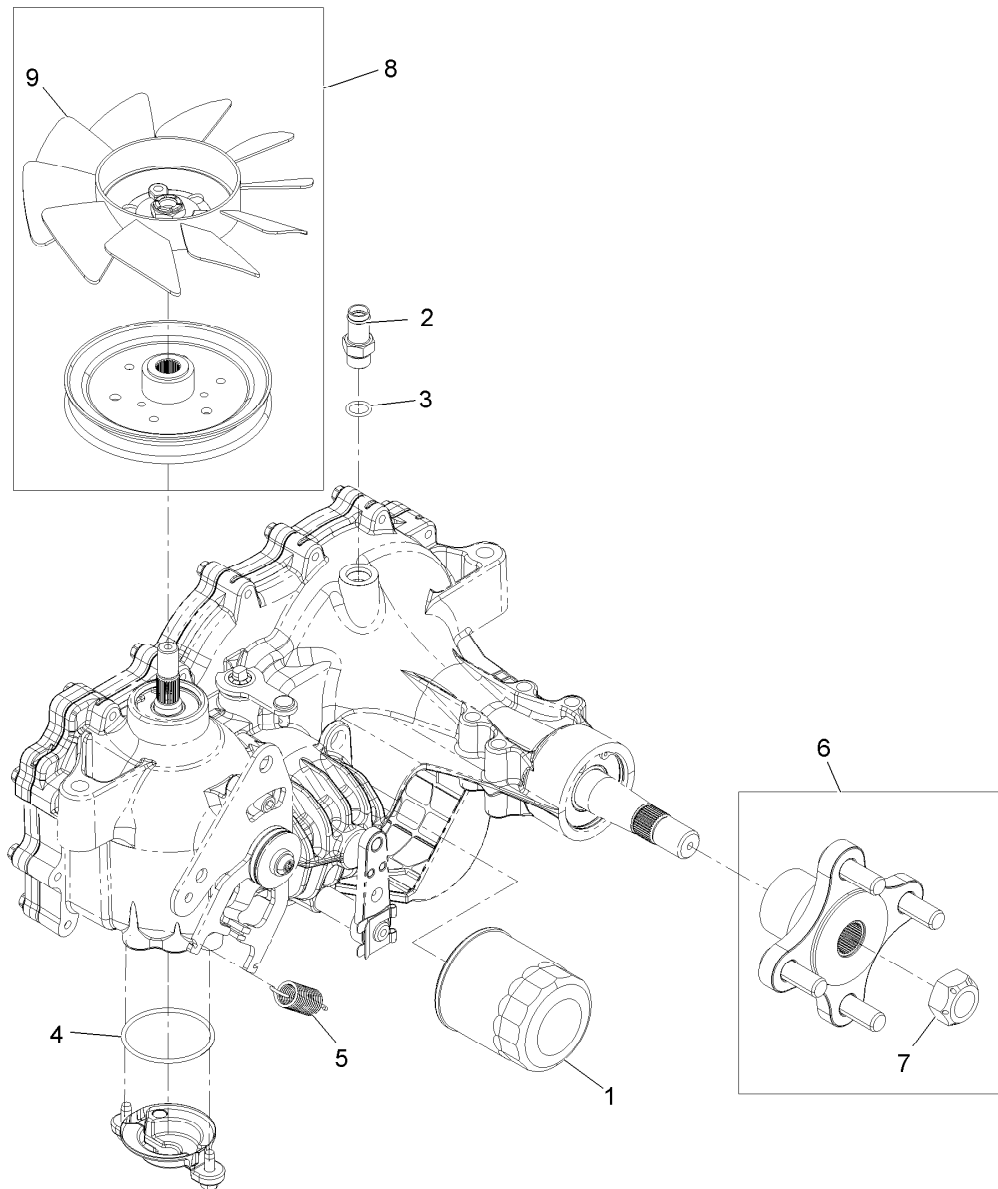
◆ Use Pro-Lock, Nut Type (P/N 1-840022, .5ml tube) on threads.

■ Obtain parts from www.kawpowerepc.com



Hydraulic Assembly

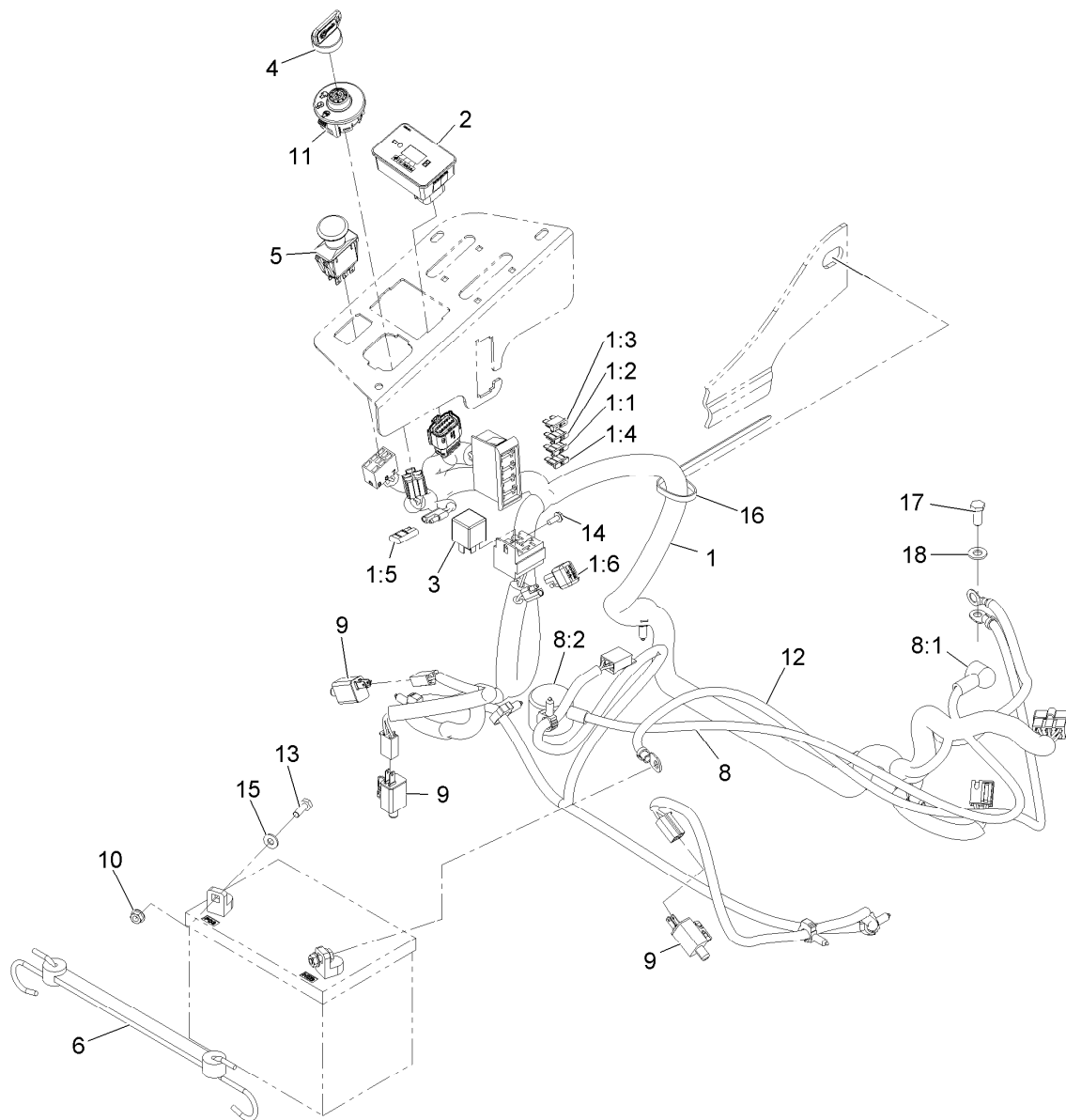
<i>Ref.</i>	<i>Part Number</i>	<i>Qty.</i>	<i>Description</i>	<i>Ref.</i>	<i>Part Number</i>	<i>Qty.</i>	<i>Description</i>
1	116-3174	1	Transaxle ASM	11	116-4860	1	Shaft-Transaxle Spacer
2	116-3173	1	Transaxle ASM	12	3230-7	2	Bolt-Carriage 5/16-18 X 2 1/4
3	3229-1	2	Bolt-Carriage 1/4-20 X 3/4	13	116-2803	2	Spacer-Hydro
4	116-4710	1	Hose-Hydraulic	14	3230-30	2	Bolt-Carriage 5/16-18 X 4 1/2
5	109-5578	1	Hose-Hydraulic	15	109-3322	4	Clamp-Hose
6	109-2250	1	Vent-Tank, Hydro	16	109-5395	2	Arm-Hydro Bypass
6:1	109-3320	1	Cap-Reservoir, HYD	17	32105-15	2	Screw-Machine 1/4-20 X 3/4
7	94-7972	2	Screw-HH W/Loctite	18	108-6402	2	Knob-Handle
8	104-7201	2	Nut-Nyloc 1/4-20 Flg	19	1-806003	2	Hairpin-Cotter
9	104-8300	8	Nut-Nyloc 5/16-18 Flg	21	3256-4	2	Washer-3/8 Std
10	3230-9	4	Bolt-Carriage 5/16-18 X 2 3/4				



Transaxle Assembly

Ref.	Part Number	Qty.	Description
1	109-3321	1	Filter-Hydraulic
2	109-3278	1	Adapter-Straight
3	237-42	1	O-Ring
4	109-3540	1	O-Ring-Charge Seal Cover
5	109-5592	1	Spring
6	109-5939	1	Hub Kit
7	109-3536	1	Nut-Hub
8	109-5938	1	Fan And Pulley Kit
9	114-8453	1	Fan-7.0
99	109-3537	1	Complete Seal Kit ●

● Not illustrated



Electrical Assembly

Ref.	Part Number	Qty.	Description	Ref.	Part Number	Qty.	Description
1	116-4861	1	Harness, Wire ●	8:1	1-543393	1	Insulator-Solenoid
1:1	109102	1	Fuse-Blade, 25 Amp	8:2	109-2407	1	Insulator-Battery
1:2	1-816001	1	Fuse-Blade Type, 20 Amp	9	110-6765	3	Switch-Single Pole No
1:3	109355	1	Fuse-Blade, 15 Amp	10	32128-33	2	Nut-Whizlock 1/4-20
1:4	218-578	1	Fuse-Blade, 10 Amp	11	117-2221	1	Switch-Ignition
1:5	116-0053	1	Cap-Plug	12	117-7240	1	Cable-Battery, Negative
1:6	103-3895	1	Diode-Tvs	13	321-4	2	Screw-HH 1/4-20 X 3/4
2	117-3884	1	Module ASM	14	32144-1	1	Screw-HWH #10-24 X 1/2 Taptite
3	1-643275	1	Relay-12Vdc 40 Amp	15	3256-22	2	Washer-1/4 Sae
4	103-2106	1	Key-Exmark Logo	16	1-303335	1	Tie-Cable 7 15/16 (Large)
5	103-5221	1	Switch-PTO	17	33114-020	1	Screw-HH M8-1.25 X 20Mm
6	104-2466	1	Holddown-Battery	18	33094-00	1	Washer
8	109-7621	1	Positive Battery Cable ASM				

● Use dielectric grease on all wiring harness connectors.

Notes:

Notes:

Notes:

SEE EXMARK'S COMPLETE LINE OF ACCESSORIES AND OPTIONS

MID-MOUNT RIDING ACCESSORIES AND OPTIONS

CUSTOM RIDE SEAT SUSPENSION SYSTEM	OPERATOR CONTROLLED DISCHARGE
FULL SUSPENSION SEAT	ROLL OVER PROTECTION SYSTEM (ROPS)
DECK LIFT ASSIST KIT	SUN SHADE
HITCH KIT	TRASH CONTAINER
LIGHT KIT	TURF STRIPER
12V POWER PORT	ULTRA VAC COLLECTION SYSTEM
MICRO-MULCH SYSTEM	ULTRA VAC QUICK DISPOSAL SYSTEM

OUT-FRONT RIDING ACCESSORIES AND OPTIONS

CUSTOM RIDE SEAT SUSPENSION SYSTEM	SNOW BLADE
DUAL-TAIL WHEEL	SNOWBLOWER
FLOOR PAN EXTENDER	SUN SHADE
HITCH KIT	TRASH CONTAINER
LIGHT KIT	ULTRA VAC COLLECTION SYSTEM
MICRO-MULCH SYSTEM	ULTRA VAC QUICK DISPOSAL SYSTEM
ROLL OVER PROTECTION SYSTEM (ROPS)	WEATHER CAB

WALK-BEHIND ACCESSORIES AND OPTIONS

GRASS CATCHER	TURF STRIPER
MICRO-MULCH SYSTEM	STANDON

Place Model No. and Serial No.
Label Here (Included in the Literature
Pack) or Fill in Below

Model No. _____

Serial No. _____

Date Purchased _____

Engine Model No. and Spec. No. _____

Engine Serial No. (E/No) _____

© 2011 Exmark Mfg. Co., Inc.
Industrial Park Box 808
Beatrice, NE 68310
All Rights Reserved

Part No. 4500-864 Rev. B
(402) 223-6300
Fax (402) 223-5489
Printed in the USA.

