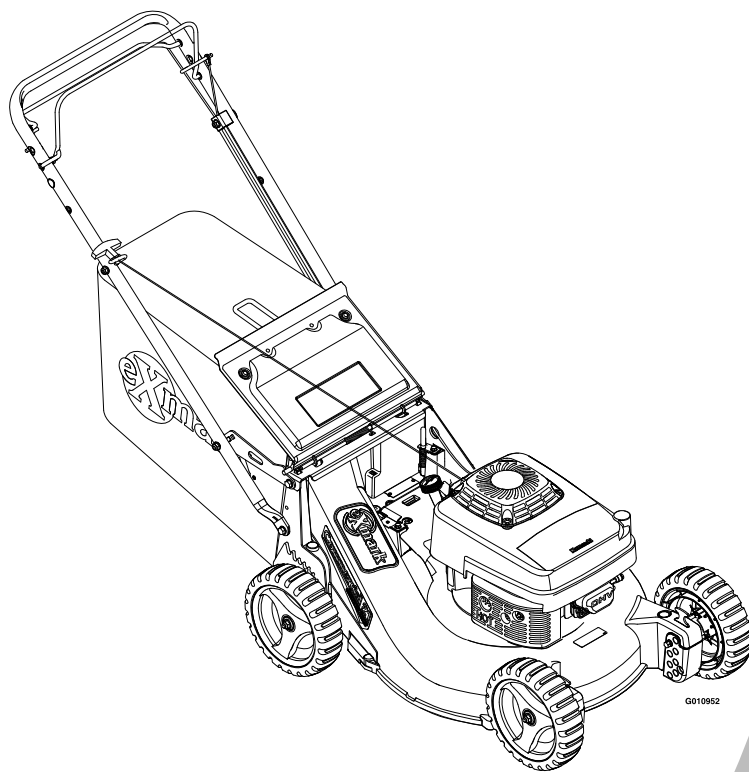




COMMERCIAL 21

Model No. ECXHNBBC21—Serial No. 31200000 and Up

Picture below may not reflect actual product.



Parts Manual

Ordering Replacement Parts

To order replacement parts, please supply the part number, the quantity, and the description of each part desired.

Understanding Reference Numbers

Each identified part in an illustration has a reference number. The reference number for a part also appears in the parts list, along with other information about the part.

This catalog uses two special reference number formats, one to indicate parts in a service assembly and another to indicate the quantity of a given part in an illustration.

Service Assembly Reference Numbers

Parts in service assemblies have reference numbers in the form a:b. The a represents the reference number of the entire service assembly and the b represents a sequential number unique to each part within the service assembly.

For example, a wheel assembly might be identified by reference number 6, the tire by 6:1, the valve by 6:2, and the wheel by 6:3. When you order the assembly identified by reference number 6, you receive all parts identified by reference numbers 6:1, 6:2, and 6:3. However, you may also order any part individually. Reference numbers of this type appear in illustration and in parts lists.

Reference Numbers Indicating Quantity

In an illustration, if a reference number indicates more than one part, the reference number has the form nX y. The n represents the quantity of the part, the X is the multiplication symbol, and the y represents the reference number.

For example, in an illustration, the reference number 2X 37 means that two of the parts identified by reference number 37 are indicated.

List of Abbreviations

AR: as required	HJ: hex jam	PTH: phillips truss head
ASM: assembly	HLH: hex lag head	PTO: power-take-off
BBC: blade brake control	HOC: height-of-cut	RH: right hand
BHTF: button head thread forming	HSBH: hex socket button head	ROPS: roll-over protection system
CARR: carriage	HSFH: hex socket flat head	RRB: rear roller brush
CCW: counter clockwise	HSH: hex socket head	SFH: slotted fillister head
CW: clockwise	HWH: hex washer head	SHH: slotted hex head
DEG: degrees	HWHTF: hex washer head thread forming	SHWH: slotted hex washer head
DPA: Dual Point Adjustment	HYD: hydraulic	SPH: slotted pan head
ECM: electronic control module	LH: left hand	SQH: square head
EXT: external	LPG: Liquid Propane Gas	SRH: slotted round head
FH: flat head	NI: nylon insert	STD: standard
GA: gauge	NPTF: national pipe thread fine	TAP: self tapping
HD: heavy-duty	PFH: phillips flat head	TTH: torx truss head
HF: hex flange	PPH: phillips pan head	
HH: hex head	PPHTF: phillips pan head thread forming	
HHF: hex head flange	PRH: phillips round head	
HHFTF: hex head flange thread forming		

Touch Up Paint

Exmark black touch up spray paint – gloss black.

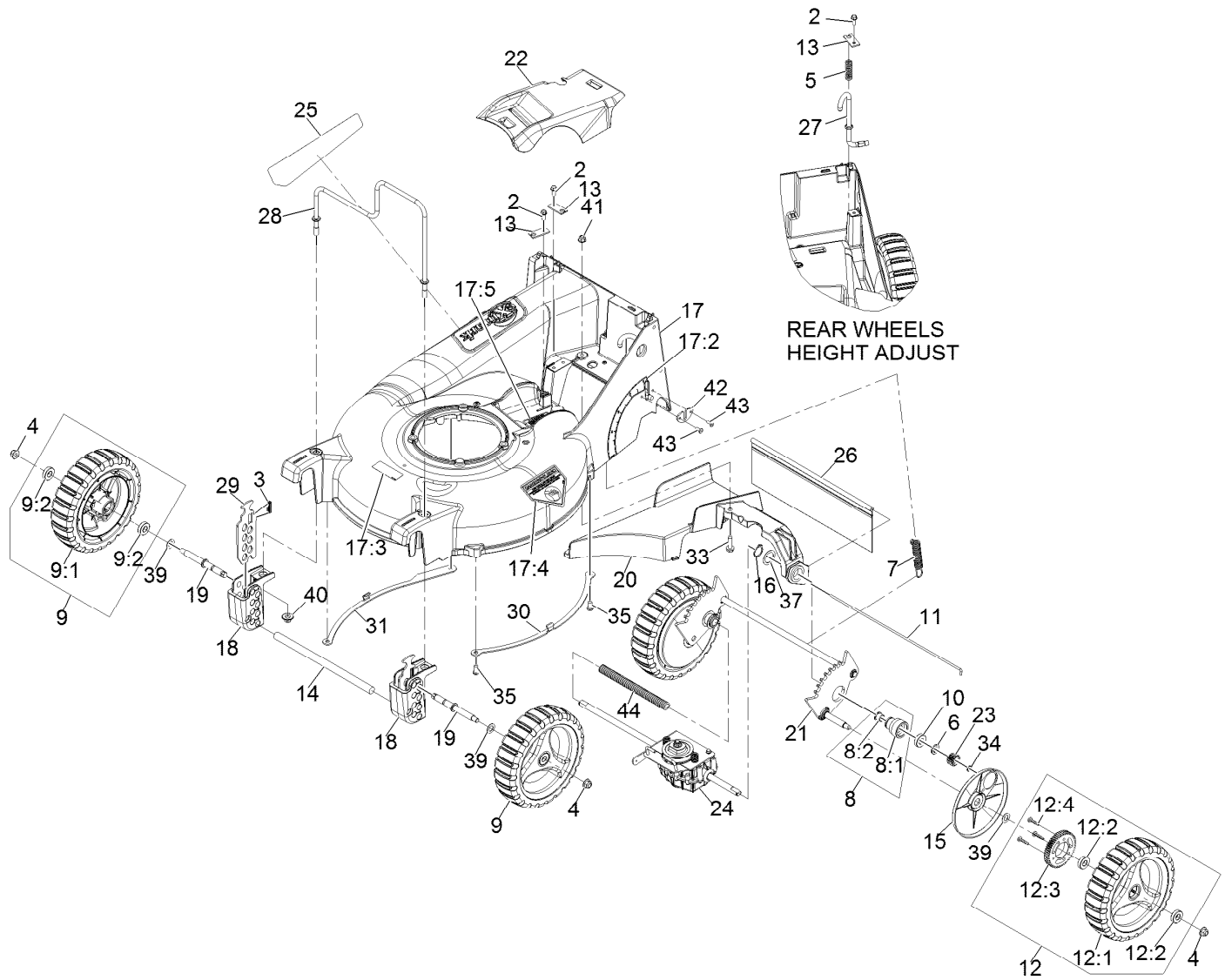
Exmark red touch up paint (spray paint – P/N 1-850337 - .6 oz liquid bottle – P/N 103-9140).



If your Exmark dealer does not have the Exmark part in stock, Exmark will get the parts to the dealer the next business day or the part will be FREE Guaranteed!! (Some restrictions apply. See your participating Exmark Dealer for details.)

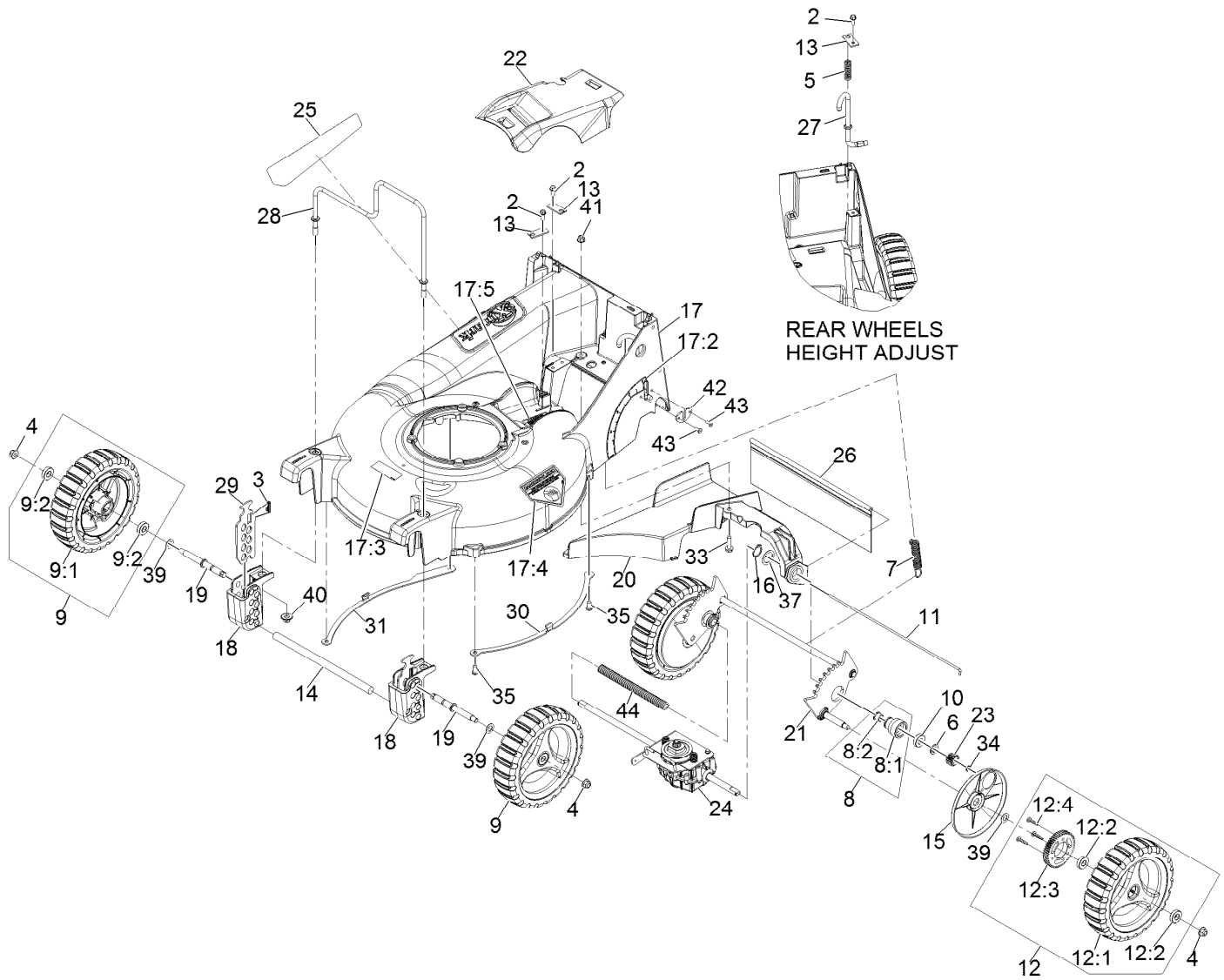
Contents

Deck and Wheel Assembly 4
Gear Case Assembly - 116-0103..... 6
Handle Assembly 7
Bag and Door Assembly 8
Blade Assembly 9
Engine Assembly 10



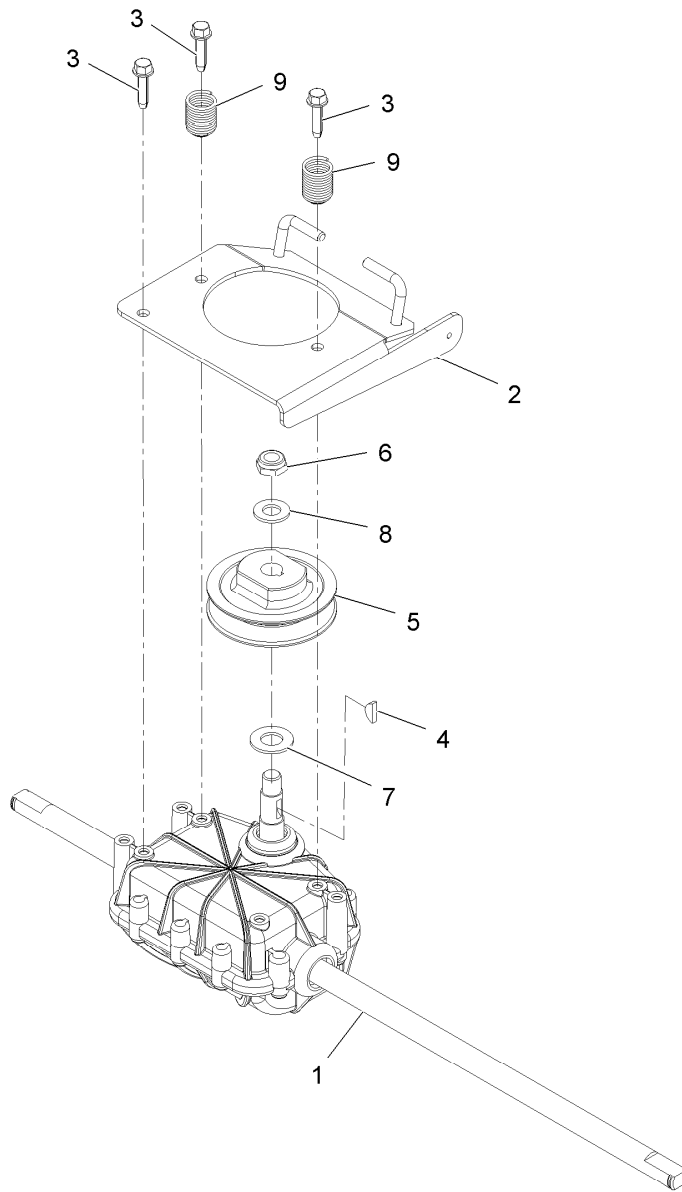
Deck and Wheel Assembly

Ref.	Part Number	Qty.	Description	Ref.	Part Number	Qty.	Description
2	32144-85	3	Screw-HWH 1/4-20 X .62	14	109-8454	1	Rod,Bumper
3	109-7258	2	Spring-Compression	15	109-9287	2	Cover,Gear
4	104-8301	4	Nut-Nyloc 3/8-16 Flg	16	32151-36	2	Ring-Retaining
5	109-7694	1	Spring-Compression	17	116-2006	1	Deck W/Decals
6	108-5059	2	Spacer-Bushing	17:2	116-1922	1	Decal-Height Of Cut
7	109-7692	1	Spring-Extension	17:3	68-7410	1	Decal-Blade
8	116-6172	2	Housing ASM	17:4	94-8072	1	Decal-Danger
8:1	116-6171	1	Housing-Bearing	17:5	109-9317	1	Decal-Cover Missing
8:2	116-4279	1	Bearing-Flange	18	109-9302	2	Block,Front Quadrant
9	109-8016	2	ASM,Wheel And Tire With Bearing	19	116-0994	2	Axle,Wheel
9:1	109-8033	1	ASM,Wheel 9"	20	109-9310-01	1	Bkt,Trans Support/Chute
9:2	109-8020	2	Bearing-Ball	21	109-9312	1	Wld,Rear Axle P21
10	109-8020	2	Bearing-Ball	22	109-9324	1	Cover,Belt
11	109-8025	1	Rod,Shield	23	110-9417	2	Gear-Pinion, 15T
12	109-8032	2	ASM,Rear Wheel 9"	24	116-0103	1	ASM,Transmission W/Bracket
12:1	109-8033	1	ASM,Wheel 9"	25	116-4385	1	Decal-Comm 21 X-Series
12:2	109-8020	2	Bearing-Ball	26	116-0252	1	Shield-Trailing P21
12:3	109-7264	1	Gear	27	116-0329	1	Rod-Height Adj P21
12:4	27-6260	3	Screw-Drive	28	116-0522	1	Guard,Engine
13	109-8441	3	Bracket,Mount	29	109-9292	2	Plate, Front Height



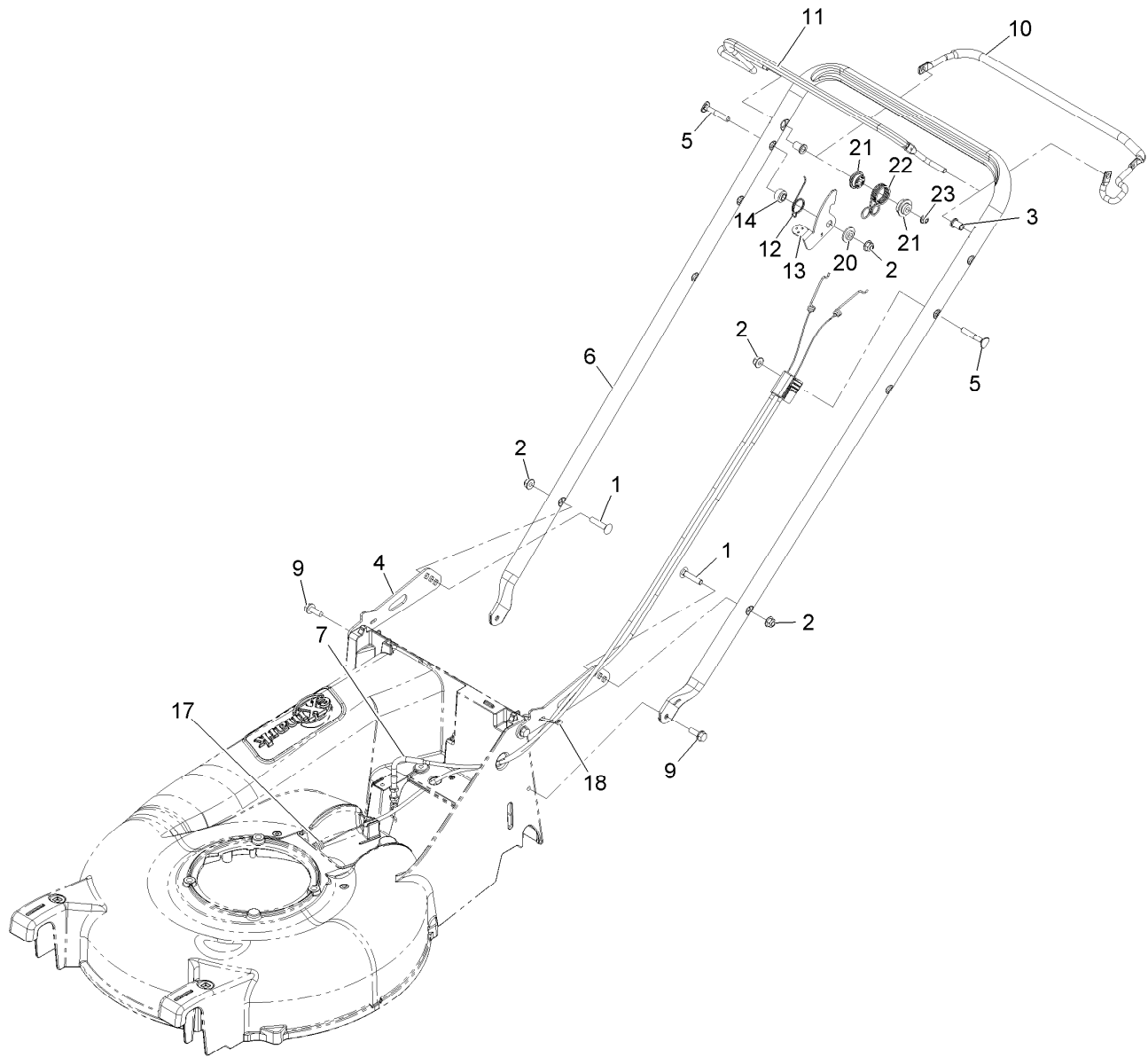
Deck and Wheel Assembly (continued)

<i>Ref.</i>	<i>Part Number</i>	<i>Qty.</i>	<i>Description</i>	<i>Ref.</i>	<i>Part Number</i>	<i>Qty.</i>	<i>Description</i>
30	116-0995-03	1	Skid,LH	37	74-1810	2	Washer
31	116-0996-03	1	Skid,RH	39	36-4780	4	Washer
33	32144-49	1	Screw-HWH 5/16-18 1 1/4 Tf	40	109-6658	2	Nut-Nyloc 3/8-16 Flg
34	32151-61	2	Ring-Retaining	41	104-8300	1	Nut-Nyloc 5/16-18 Flg
35	613381	4	Screw-Button Head 5/16-18 X .725 Tf	42	116-2221	1	Plate,Wear
				43	114439	2	Rivet
				44	117-5260	1	Cover-Shaft, Drive



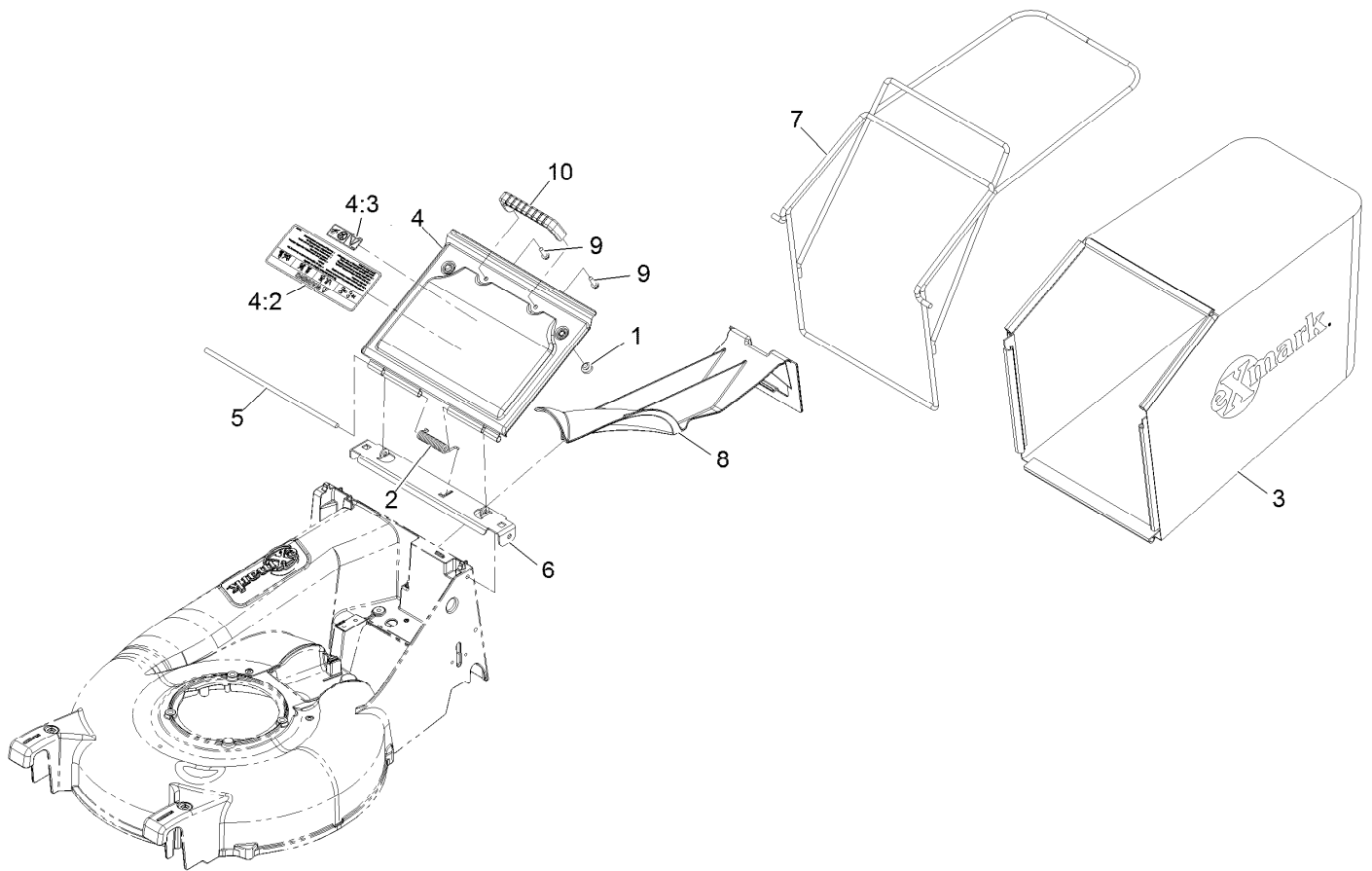
Gear Case Assembly - 116-0103

<i>Ref.</i>	<i>Part Number</i>	<i>Qty.</i>	<i>Description</i>
1	109-9290	1	Transmission,P21 4.5/1
2	116-3539-03	1	Transmission Plate ASM
3	27-0220	3	Screw-Special
4	3257-1	1	Key-Woodruff 1/8 X 1/2
5	39-6740	1	Pulley
6	3296-5	1	Nut-Nyloc 3/8-24 Thin
7	36-4792	1	Washer-Thrust
8	3256-45	1	Washer-Flat
9	116-1438	2	Spring,Compression



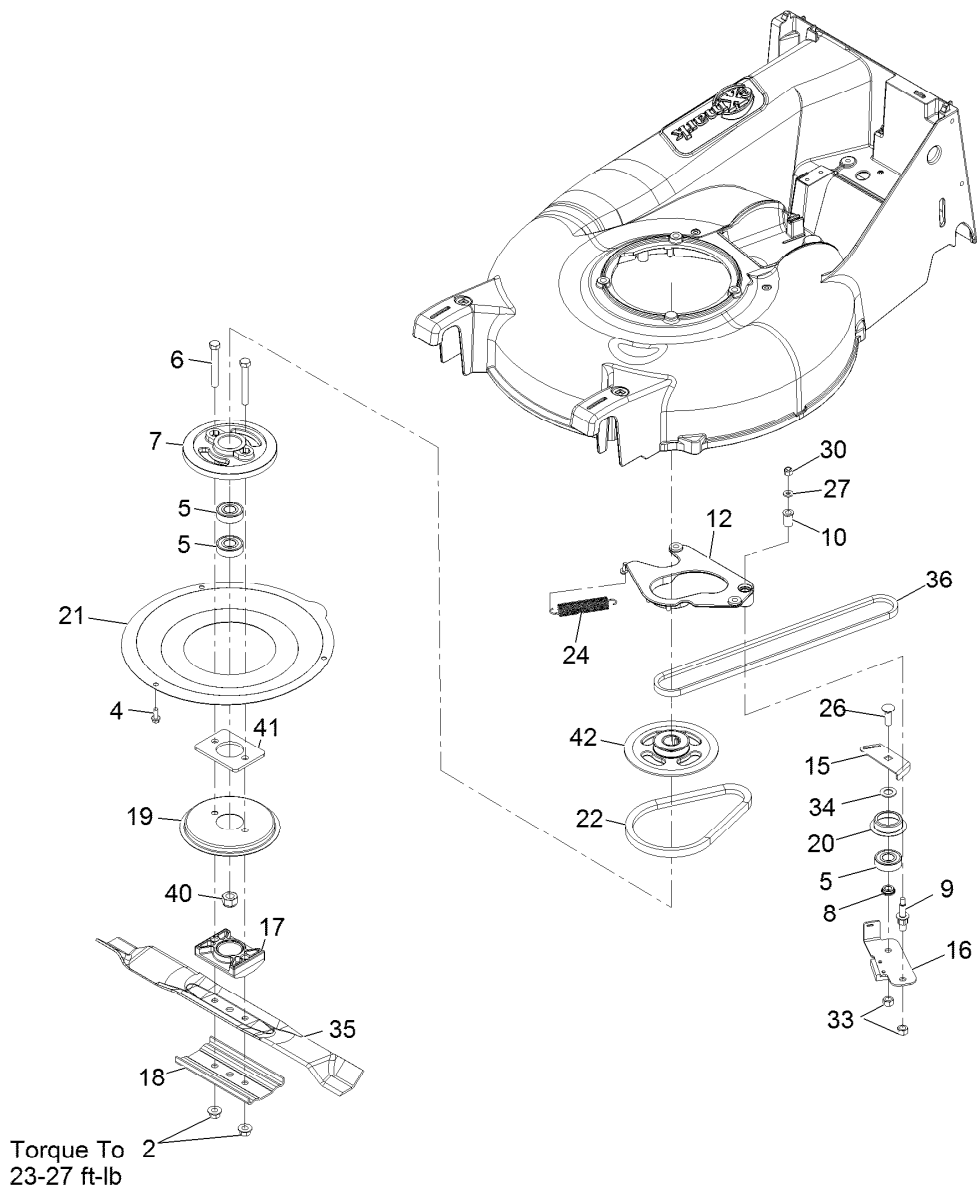
Handle Assembly

Ref.	Part Number	Qty.	Description	Ref.	Part Number	Qty.	Description
1	33-5790	2	Bolt-Carriage 5/16-18 X 1 1/2	11	109-8442	1	Bail, Opc/BBC Coated
2	104-8300	4	Nut-Nyloc 5/16-18 Flg	12	109-9318	1	Spring, BBC Lever
3	116-1478	2	Bushing-Handlebar	13	116-2998	1	Lever-BBC
4	109-9323-03	2	Bracket, Handlebar	14	116-2690	1	Bushing, Stepped
5	112-8876	2	Bolt-Carriage 5/16-18 X 2	17	116-0901	1	Cable-BBC
6	116-0119-03	1	Handlebar-P21	18	614249	1	Tie-Cable
7	116-0904	1	Cable-Drive	20	105-3006	1	Washer-Stepped
9	32144-41	4	Screw-HWH 3/8-16 X 7/8 Taprite	21	109-8457	2	Bushing, Spring Pivot
10	109-8443	1	Bail, Drive Coated	22	109-9293	1	Spring, BBC Return
				23	104-7201	1	Nut-Nyloc 1/4-20 Flg



Bag and Door Assembly

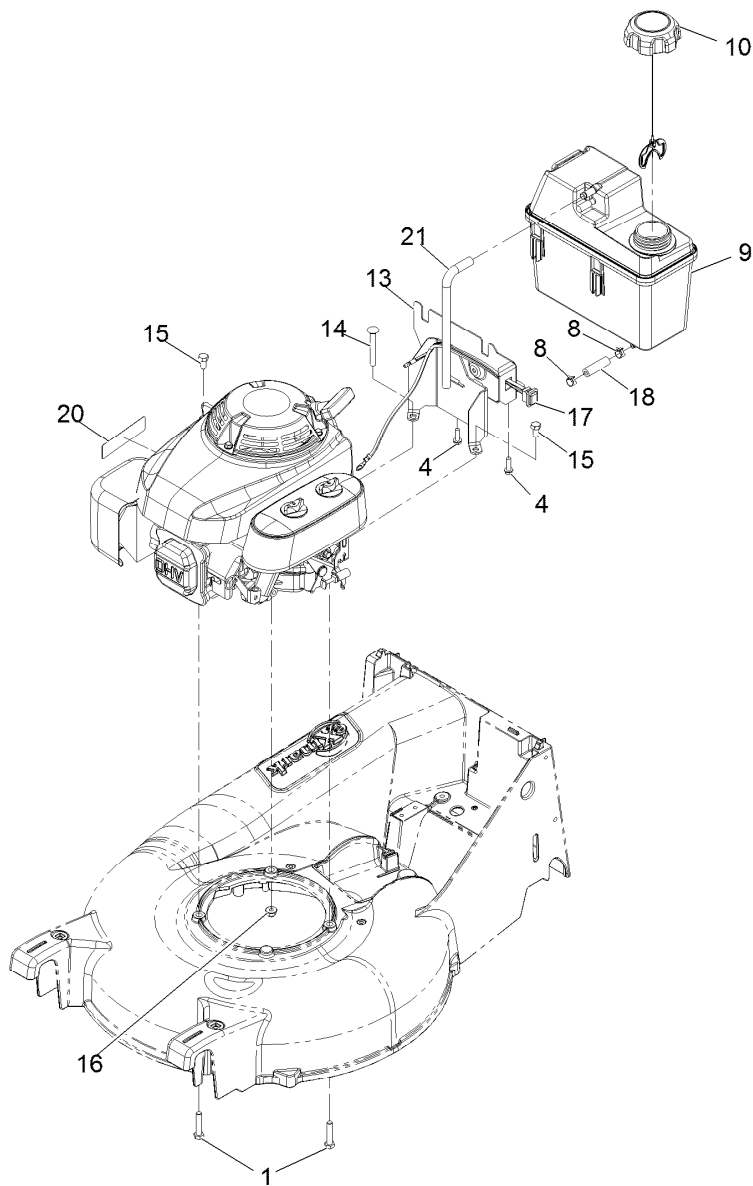
Ref.	Part Number	Qty.	Description
1	1-513658	2	Bumper
2	109-7696	1	Spring-Torsion,Cover
3	109-7294	1	Bag,Grass P21
4	116-2007	1	Door W/Decal
4:2	116-2737	1	Decal-Warning Door Lg
4:3	121-1449	1	Decal, Block Warning
5	109-9321	1	Rod,Door Pivot
6	109-9322-03	1	Bracket-Door P21
7	109-9325-03	1	Wld,Bag Frame
8	116-0251	1	Plug,Mulch
9	46-8091	2	Screw-HWH 1/4-10 X .82 Plastite
10	65-5100	1	Handle-Door



Blade Assembly

Ref.	Part Number	Qty.	Description
2	54-9190	2	Nut-Hex 3/8-24 Lock
4	32144-85	3	Screw-HWH 1/4-20 X .62
5	100-1048	3	Bearing-Ball
6	104-5937	2	Screw-HH 3/8-24 X 2 3/4
7	107-0754	1	Drum
8	107-0758	1	Spacer-Bearing
9	107-0759	1	Bolt-Shoulder
10	107-0797	1	Bushing
12	109-7243	1	Plate,Anchor
15	107-7471	1	Plate-Guide
16	120-9514	1	Plate-Brake, ASM
17	107-7487	1	Support-Blade
18	108-3766-03	1	Support-Blade
19	108-3787	1	Disc

Ref.	Part Number	Qty.	Description
20	108-3790	1	Retainer-Belt
21	116-3360-03	1	Cover-BBC
22	110-1790	1	Belt-BBC
24	108-3792	1	Spring-Tension, Brake
26	3231-38	1	Bolt-Carriage 3/8-16 X 1 1/4
27	3256-16	1	Washer-#12 Std
30	3296-42	1	Nut-Nyloc 1/4-20
33	603773	2	Nut-Hex 3/8-16 Side Lock
34	605256	1	Washer-Plain
35	116-4500	1	Blade-Medium Lift, 20.5
36	109-7299	1	Belt,3L P21 Drive
40	108-9342	1	Nut-Hex M14-1.5 Lock
41	116-2666	1	Spacer
42	110-7456	1	Pulley



Engine Assembly

<i>Ref.</i>	<i>Part Number</i>	<i>Qty.</i>	<i>Description</i>
1	3210-8	2	Screw-HH 5/16-24 X 1 1/2
4	46-8091	2	Screw-HWH 1/4-10 X .82 Plastite
8	2412-98	2	Clamp-Hose
9	114-0280	1	Tank-Fuel
10	109-6776	1	Cap-Ratchet, Tethered
13	116-5361-03	1	Bracket ASM [black]
14	3230-8	1	Bolt-Carriage 5/16-18 X 2 1/2
15	3210-2	2	Screw-HH 5/16-24 X 5/8
16	104-8300	1	Nut-Nyloc 5/16-18 Flg
17	109-7247	1	Harness,Run/Stop
18	119-7856	1	Hose-Fuel
20	117-2718	1	Decal-Arrester, Spark
21	115-0962	1	Hose-Vent, Canister

Notes:

EXMARK ACCESSORIES AND OPTIONS*

MID-MOUNT RIDING ACCESSORIES AND OPTIONS

CUSTOM RIDE SEAT SUSPENSION SYSTEM	OPERATOR CONTROLLED DISCHARGE
FULL SUSPENSION SEAT	SUN SHADE
DECK LIFT ASSIST KIT	TRASH CONTAINER
HITCH KIT	TURF STRIPER
LIGHT KIT	ULTRA VAC COLLECTION SYSTEM
12V POWER PORT	ULTRA VAC QUICK DISPOSAL SYSTEM
MICRO-MULCH SYSTEM	

OUT-FRONT RIDING ACCESSORIES AND OPTIONS

CUSTOM RIDE SEAT SUSPENSION SYSTEM	SNOW BLADE
DUAL-TAIL WHEEL	SNOWBLOWER
FLOOR PAN EXTENDER	SUN SHADE
HITCH KIT	TRASH CONTAINER
LIGHT KIT	ULTRA VAC COLLECTION SYSTEM
MICRO-MULCH SYSTEM	ULTRA VAC QUICK DISPOSAL SYSTEM
ROLL OVER PROTECTION SYSTEM (ROPS)	WEATHER CAB

WALK-BEHIND ACCESSORIES AND OPTIONS

GRASS CATCHER	TURF STRIPER
MICRO-MULCH SYSTEM	STANDON

*Some accessories and options not available for some models.

Place Model No. and Serial No.
Label Here (Included in the Literature
Pack) or Fill in Below

Model No. _____

Serial No. _____

Date Purchased _____

Engine Model No. and Spec. No. _____

Engine Serial No. (E/No) _____

© 2012 Exmark Mfg. Co., Inc.
Industrial Park Box 808
Beatrice, NE 68310
All Rights Reserved

Part No. 4500-934 Rev. B
(402) 223-6300
Fax (402) 223-5489
Printed in the USA.

