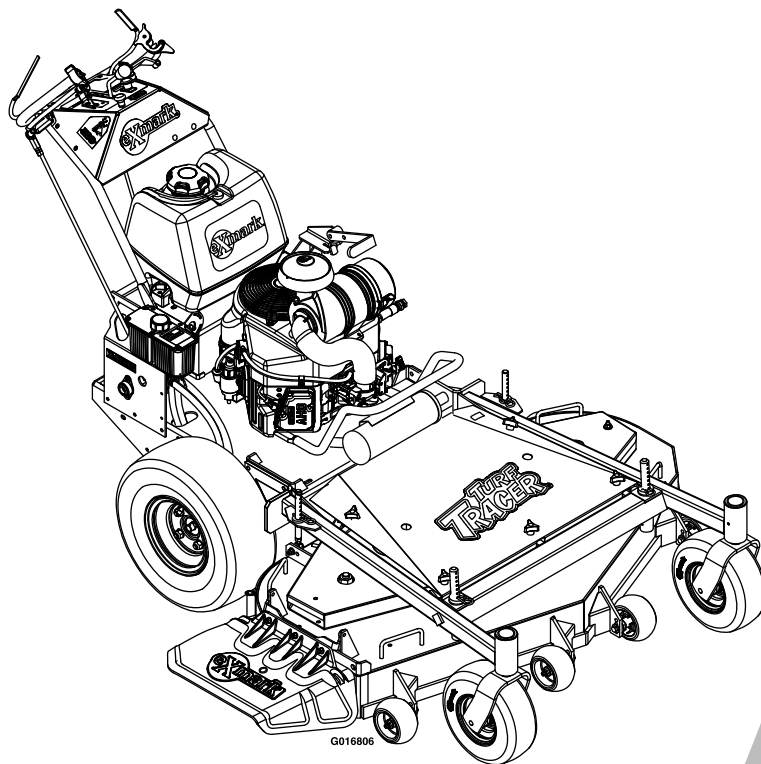




FMD524

Model No. FMD524—Serial No. 31200000 and Up

Picture below may not reflect actual product.



Parts Manual

Ordering Replacement Parts

To order replacement parts, please supply the part number, the quantity, and the description of each part desired.

Understanding Reference Numbers

Each identified part in an illustration has a reference number. The reference number for a part also appears in the parts list, along with other information about the part.

This catalog uses two special reference number formats, one to indicate parts in a service assembly and another to indicate the quantity of a given part in an illustration.

Service Assembly Reference Numbers

Parts in service assemblies have reference numbers in the form a:b. The a represents the reference number of the entire service assembly and the b represents a sequential number unique to each part within the service assembly.

For example, a wheel assembly might be identified by reference number 6, the tire by 6:1, the valve by 6:2, and the wheel by 6:3. When you order the assembly identified by reference number 6, you receive all parts identified by reference numbers 6:1, 6:2, and 6:3. However, you may also order any part individually. Reference numbers of this type appear in illustration and in parts lists.

Reference Numbers Indicating Quantity

In an illustration, if a reference number indicates more than one part, the reference number has the form nX y. The n represents the quantity of the part, the X is the multiplication symbol, and the y represents the reference number.

For example, in an illustration, the reference number 2X 37 means that two of the parts identified by reference number 37 are indicated.

List of Abbreviations

AR: as required	HJ: hex jam	PTH: phillips truss head
ASM: assembly	HLH: hex lag head	PTO: power-take-off
BBC: blade brake control	HOC: height-of-cut	RH: right hand
BHTF: button head thread forming	HSBH: hex socket button head	ROPS: roll-over protection system
CARR: carriage	HSFH: hex socket flat head	RRB: rear roller brush
CCW: counter clockwise	HSH: hex socket head	SFH: slotted fillister head
CW: clockwise	HWH: hex washer head	SHH: slotted hex head
DEG: degrees	HWHTF: hex washer head thread forming	SHWH: slotted hex washer head
DPA: Dual Point Adjustment	HYD: hydraulic	SPH: slotted pan head
ECM: electronic control module	LH: left hand	SQH: square head
EXT: external	LP: Liquid Propane	SRH: slotted round head
FH: flat head	NI: nylon insert	STD: standard
GA: gauge	NPTF: national pipe thread fine	TAP: self tapping
HD: heavy-duty	PFH: phillips flat head	TTH: torx truss head
HF: hex flange	PPH: phillips pan head	
HH: hex head	PPHTF: phillips pan head thread forming	
HHF: hex head flange	PRH: phillips round head	
HHFTF: hex head flange thread forming		

Touch Up Paint

Exmark black touch up spray paint – gloss black.

Exmark red touch up paint (spray paint – P/N 1-850337 - .6 oz liquid bottle – P/N 103-9140).



If your Exmark dealer does not have the Exmark part in stock, Exmark will get the parts to the dealer the next business day or the part will be FREE Guaranteed!! (Some restrictions apply. See your participating Exmark Dealer for details.)

Contents

Deck Assembly 4
Deck Support Assembly 6
Decals 7

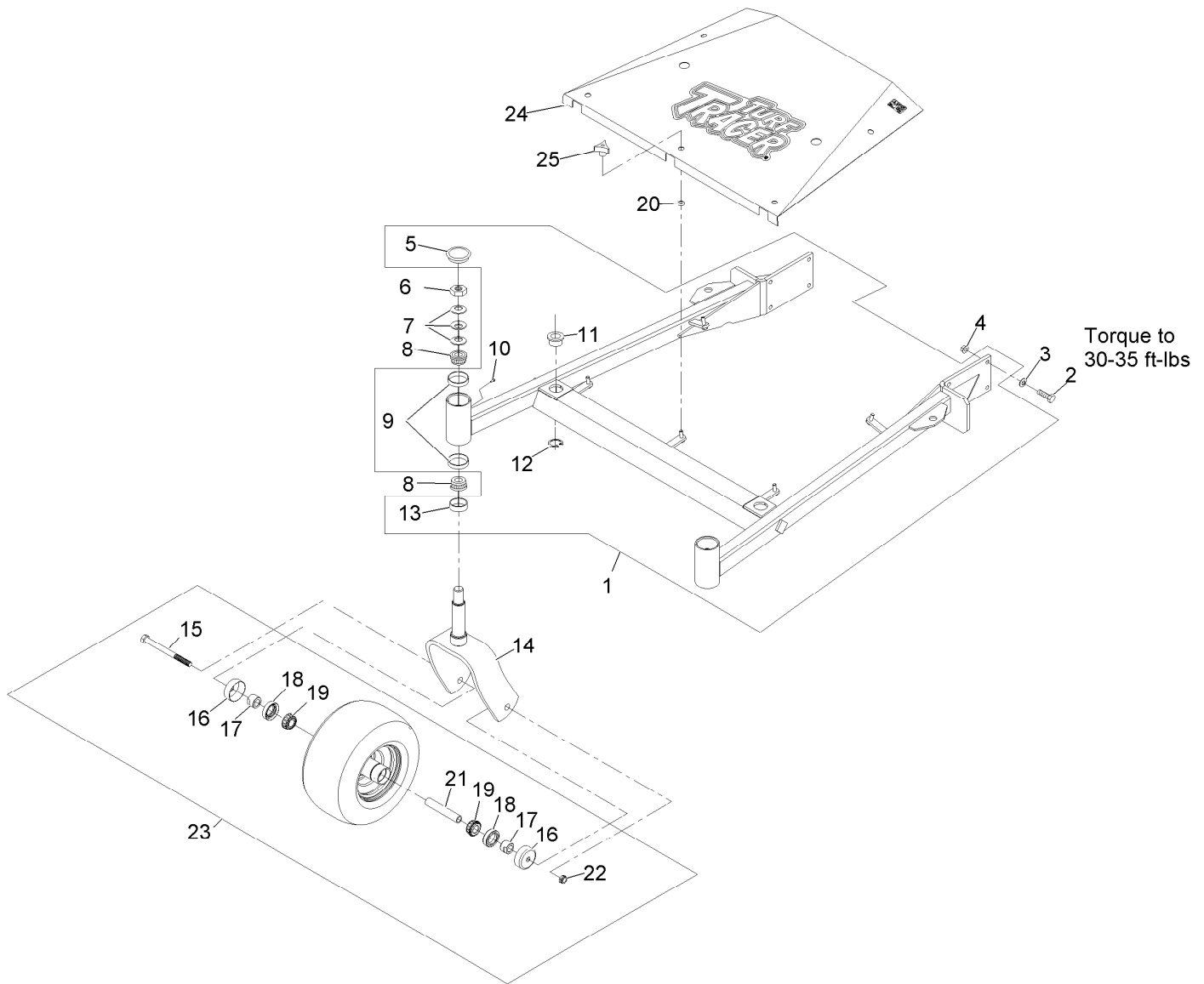
Deck Assembly (continued)

Ref.	Part Number	Qty.	Description	Ref.	Part Number	Qty.	Description
1	109-5958	3	Screw-Hex Flange 1/2-20	41	1-303516	2	Pulley, V-Idler
2	323-6	2	Screw-HH 3/8-16 X 1	42	32128-20	8	Nut-Whizlock 5/16-18
3	98-5975	9	Washer-Spring Disc 3/8	43	1-806332	2	Rollpin 1/4 X 1 1/2
4	3290-357	15	Nut-Whizlock 3/8-16	44	1-411532	2	Kit, Support Link W/Pin
5	323-7	18	Screw-HH 3/8-16 X 1 1/4	45	1-603413	1	Spring-Extension
6	3217-46	3	Nut-Hex 3/4-16 Heavy	46	109-4077	1	Pulley-Idler, Flat
7	103-2802	3	Washer-Spring Disc 3/4	47	3234-11	2	Screw-HH Flg 3/8-16 X 1
8	103-2794	3	Sheave, Blade Drive ▲	48	3296-39	20	Nut-Nyloc 3/8-16
9	103-2535	3	Spacer-Guard Bottom	49	103-2916	2	Guard-Top
10	103-9086	2	Kit, Splined Spindle 103-3036 ▲	50	103-3506	2	Seal-Single Lip
11	109-4722	1	Asm, Discharge Chute	51	103-8072	1	Kit, Idler Arm W/Bearings ●
12	103-9087	1	Kit, Center Blade Spindle (Long) ▲	52	32120-10	4	Ring-Retaining
13	103-2982	4	Key-Machine 1/4 X 3/16 X 3/4	53	103-8071	1	Kit, Idler Arm W/Bearings ●
14	103-2793	1	Sheave, Mower Drive ▲	54	302-40	2	Zerk-90° 1/4-28
15	103-1330	3	Guard-Bearing Top ▲	55	116-5947	1	Asm, Complete Deck
16	103-8280	3	Kit, Cutter Housing ▲	56	1-413525	2	Link, Rear Deck Support
17	322-3	1	Screw-HH 5/16-18 X 3/4	57	1-613204	2	Balljoint
18	103-2969-01	2	Cover, Deck	58	1-603299	4	Roller-Scalp, Anti
19	103-2329	1	Belt, Blade Drive	59	103-4051	4	Kit,Anti-Scalp Roller
20	323-23	1	Screw-HH 3/8-16 X 4-1/2	60	99-2842	4	Spacer
21	103-9084	1	Housing, Cutter Complete (Center)	61	1-603620-01	1	Bracket, Spring Anchor
22	103-9076	2	Housing, Cutter Complete (Outer)	62	98-5961	2	Screw-HH 3/8-16 X 4 Gr8
23	103-3209	1	Spacer, Tube	63	1-603414	1	Spring-Extension
24	1-413425	2	Spacer	64	116-2072-01	1	Baffle
25	3256-82	3	Washer	65	1-603001	2	Rod, Deck Support
26	323-9	2	Screw-HH 3/8-16 X 1 3/4	66	3256-24	5	Washer-3/8 Sae
27	1-603050	4	Spacer	67	103-6402	3	Blade-Notched
28	1-633988	1	Spacer-Anchor, Clutch	67	103-6382	3	Blade, Solid 18.0 (.94 Hole)
29	1-800017	2	Bolt-HH 5/16-18 X 3 1/4 Tap	67	103-6387	3	Blade, Low Lift 18.0 (.94 Hole)
30	1-513791	1	Bushing	67	103-6392	3	Blade, Mulch 18.0 (.94 Hole) ■
31	3256-3	6	Washer-5/16 Std	67	103-6397	3	Blade, Extreme 18.0 (.94 Hole)
32	323-12	4	Screw-HH 3/8-16 X 2 1/2	68	1-806009	4	Hairpin-Cotter #206
33	3220-3	2	Nut-Jam 3/8-24	69	1-323539	2	Spacer-Blade Drive
34	1-603805	1	Pulley-Idler	70	103-3505	2	Seal-Double Lip
35	1-613098	1	Pulley-Idler	71	103-3504	4	Bearing-Spherical
36	116-5949	1	Deck, (116-5862-01) W/ Decals	72	1-413088	2	Spacer
37	109-2738	1	Chute,Discharge	73	106-7159	4	O-Ring
38	322-5	2	Screw-HH 5/16-18 X 1	74	109-6658	4	Nut-Nyloc 3/8-16 Flg
39	3296-29	8	Nut-Nyloc 5/16-18	75	103-3037	3	Bushing,Splined
40	322-2	5	Screw-HH 5/16-18 X 5/8	76	109-4573-01	1	Bracket, Discharge Chute
				77	3230-22	3	Bolt-Carriage 5/16-18 X 1 Sp

● Assembly also includes Washer and Screw

■ Requires installation of mulch kit for proper mulching. See your Exmark dealer for details.

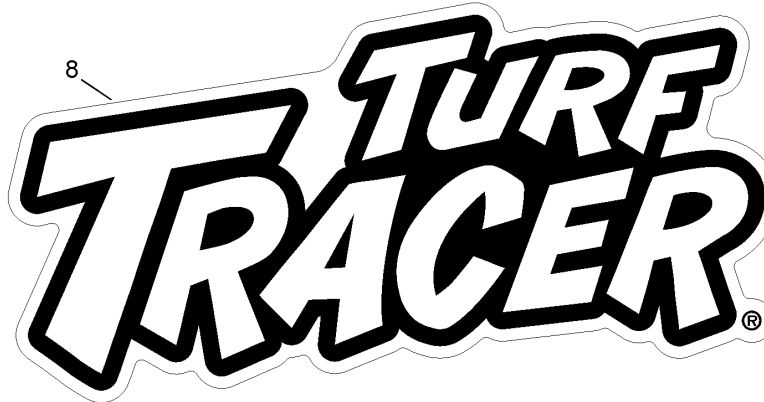
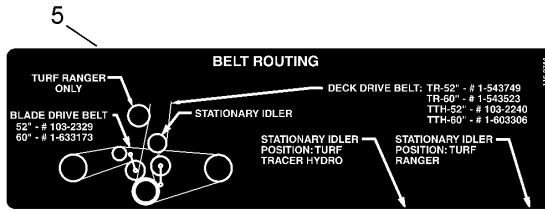
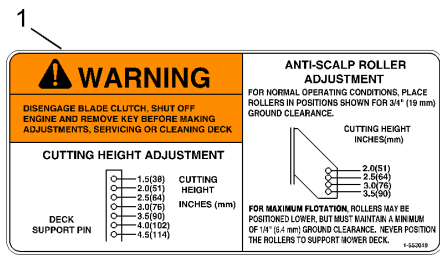
▲ Apply Mobil HTS grease (P/N 103-5217 1.5 oz packet) (or a food-grade anti-seize). See operator s manual for locations.



Deck Support Assembly

Ref.	Part Number	Qty.	Description	Ref.	Part Number	Qty.	Description
1	103-1895	1	Support, Deck (103-4959-01) (52")	14	103-1891-01	2	Wld, Caster Fork
2	323-7	8	Screw-HH 3/8-16 X 1 1/4	15	325-20	2	Screw-HH 1/2-13 X 6
3	98-5975	8	Washer-Spring Disc 3/8	16	103-2768	4	Guard-Seal
4	3290-357	8	Nut-Whizlock 3/8-16	17	103-3051	4	Spacer-Nut ●
5	103-4882	2	Cap-Grease	18	103-0063	4	Seal-Double Lip
6	3296-51	2	Nut-Nyloc 3/4-10	19	1-633585	4	Bearing-Cone Tapered Roller
7	1-633508	6	Washer-Spring Disc	20	1-323417	5	Washer-Belt Shield
8	1-543509	4	Cone-Bearing Tapered Roller	21	103-3157	2	Axle-Caster
9	1-543508	4	Cup-Bearing Tapered Roller	22	3296-45	2	Nut-Nyloc 1/2-13 Thin
10	1-811010	2	Plug	23	109-3524	2	Asm, Wheel & Tire With Axle
11	1-513336	2	Bushing-Deck	24	116-2708	1	Shield, Belt (103-2319-01) W/Decal (52")
12	32120-33	2	Ring-Retaining	25	1-323385	5	Knob-3 Prong
13	1-543511	2	Seal-Grease				

● Use Pro-Lock, Nut Type (P/N 1-840022, .5ml tube) on threads.



Decals

Ref.	Part Number	Qty.	Description
1	1-553049	1	Decal-Anti Scalp
2	1-303508	1	Decal-Warning, Discharge
3	98-5954	3	Decal-Cover, Missing
4	109-3148	1	Decal,Bolt Torque
5	116-2744	1	Decal-Belt Routing
6	1-403005	2	Decal-Danger
7	103-2076	1	Decal-Caution
8	103-3013	1	Decal-Turf Tracer
9	116-0034	1	Decal,Ultracut 52 Series 4
99	103-5828	1	Kit-Decal •

• Not illustrated

SEE EXMARK'S COMPLETE LINE OF ACCESSORIES AND OPTIONS

MID-MOUNT RIDING ACCESSORIES AND OPTIONS

CUSTOM RIDE SEAT SUSPENSION SYSTEM	OPERATOR CONTROLLED DISCHARGE
FULL SUSPENSION SEAT	ROLL OVER PROTECTION SYSTEM (ROPS)
DECK LIFT ASSIST KIT	SUN SHADE
HITCH KIT	TRASH CONTAINER
LIGHT KIT	TURF STRIPER
12V POWER PORT	ULTRA VAC COLLECTION SYSTEM
MICRO-MULCH SYSTEM	ULTRA VAC QUICK DISPOSAL SYSTEM

OUT-FRONT RIDING ACCESSORIES AND OPTIONS

CUSTOM RIDE SEAT SUSPENSION SYSTEM	SNOW BLADE
DUAL-TAIL WHEEL	SNOWBLOWER
FLOOR PAN EXTENDER	SUN SHADE
HITCH KIT	TRASH CONTAINER
LIGHT KIT	ULTRA VAC COLLECTION SYSTEM
MICRO-MULCH SYSTEM	ULTRA VAC QUICK DISPOSAL SYSTEM
ROLL OVER PROTECTION SYSTEM (ROPS)	WEATHER CAB

WALK-BEHIND ACCESSORIES AND OPTIONS

GRASS CATCHER	TURF STRIPER
MICRO-MULCH SYSTEM	STANDON

Place Model No. and Serial No.
Label Here (Included in the Literature
Pack) or Fill in Below

Model No. _____

Serial No. _____

Date Purchased _____

Engine Model No. and Spec. No. _____

Engine Serial No. (E/No) _____

© 2011 Exmark Mfg. Co., Inc.
Industrial Park Box 808
Beatrice, NE 68310
All Rights Reserved

Part No. 4500-973 Rev. A
(402) 223-6300
Fax (402) 223-5489
Printed in the USA.

