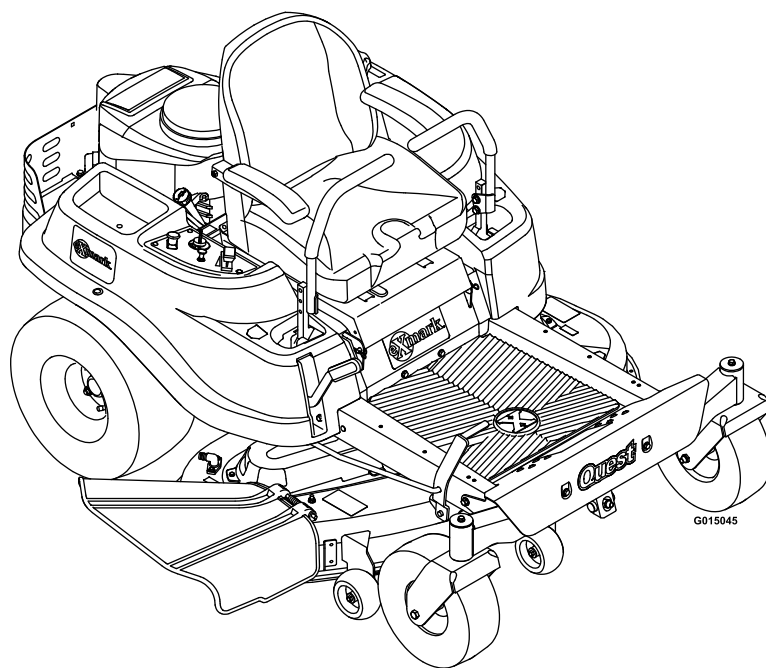




# QUEST®

Model No. QTE691KA501—Serial No. 31200000 and Up

Picture below may not reflect actual product.



# Parts Manual

# Ordering Replacement Parts

To order replacement parts, please supply the part number, the quantity, and the description of each part desired.

## Understanding Reference Numbers

Each identified part in an illustration has a reference number. The reference number for a part also appears in the parts list, along with other information about the part.

This catalog uses two special reference number formats, one to indicate parts in a service assembly and another to indicate the quantity of a given part in an illustration.

## Service Assembly Reference Numbers

Parts in service assemblies have reference numbers in the form a:b. The a represents the reference number of the entire service assembly and the b represents a sequential number unique to each part within the service assembly.

For example, a wheel assembly might be identified by reference number 6, the tire by 6:1, the valve by 6:2, and the wheel by 6:3. When you order the assembly identified by reference number 6, you receive all parts identified by reference numbers 6:1, 6:2, and 6:3. However, you may also order any part individually. Reference numbers of this type appear in illustration and in parts lists.

## Reference Numbers Indicating Quantity

In an illustration, if a reference number indicates more than one part, the reference number has the form nX y. The n represents the quantity of the part, the X is the multiplication symbol, and the y represents the reference number.

For example, in an illustration, the reference number 2X 37 means that two of the parts identified by reference number 37 are indicated.

# List of Abbreviations

<b>AR:</b> as required	<b>HJ:</b> hex jam	<b>PTH:</b> phillips truss head
<b>ASM:</b> assembly	<b>HLH:</b> hex lag head	<b>PTO:</b> power-take-off
<b>BBC:</b> blade brake control	<b>HOC:</b> height-of-cut	<b>RH:</b> right hand
<b>BHTF:</b> button head thread forming	<b>HSBH:</b> hex socket button head	<b>ROPS:</b> roll-over protection system
<b>CARR:</b> carriage	<b>HSFH:</b> hex socket flat head	<b>RRB:</b> rear roller brush
<b>CCW:</b> counter clockwise	<b>HSH:</b> hex socket head	<b>SFH:</b> slotted fillister head
<b>CW:</b> clockwise	<b>HWH:</b> hex washer head	<b>SHH:</b> slotted hex head
<b>DEG:</b> degrees	<b>HWHTF:</b> hex washer head thread forming	<b>SHWH:</b> slotted hex washer head
<b>DPA:</b> Dual Point Adjustment	<b>HYD:</b> hydraulic	<b>SPH:</b> slotted pan head
<b>ECM:</b> electronic control module	<b>LH:</b> left hand	<b>SQH:</b> square head
<b>EXT:</b> external	<b>LPG:</b> Liquid Propane Gas	<b>SRH:</b> slotted round head
<b>FH:</b> flat head	<b>NI:</b> nylon insert	<b>STD:</b> standard
<b>GA:</b> gauge	<b>NPTF:</b> national pipe thread fine	<b>TAP:</b> self tapping
<b>HD:</b> heavy-duty	<b>PFH:</b> phillips flat head	<b>TTH:</b> torx truss head
<b>HF:</b> hex flange	<b>PPH:</b> phillips pan head	
<b>HH:</b> hex head	<b>PPHTF:</b> phillips pan head thread forming	
<b>HHF:</b> hex head flange	<b>PRH:</b> phillips round head	
<b>HHFTF:</b> hex head flange thread forming		

# Touch Up Paint

Exmark black touch up spray paint – gloss black.

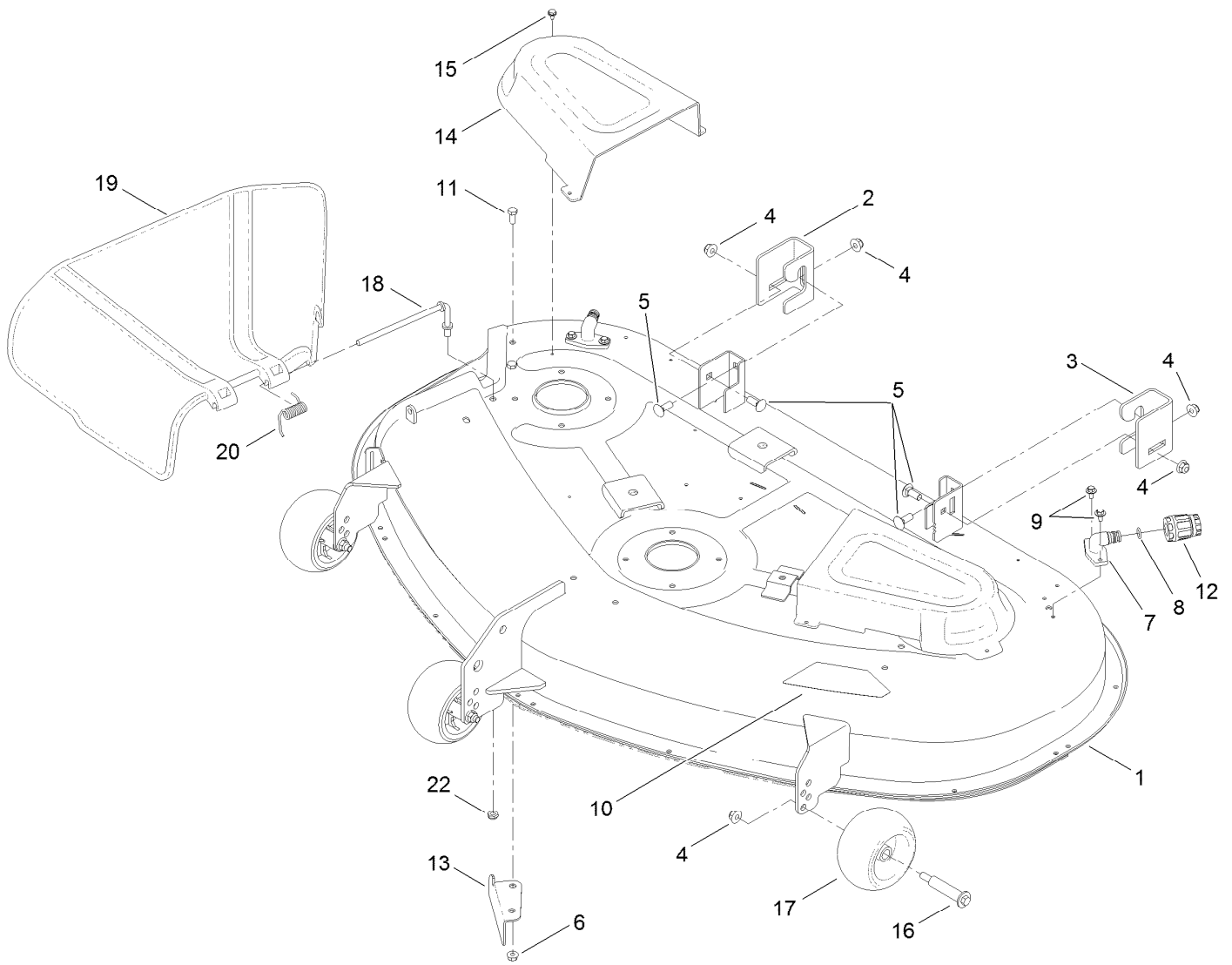
Exmark red touch up paint (spray paint – P/N 1-850337 - .6 oz liquid bottle – P/N 103-9140).



If your Exmark dealer does not have the Exmark part in stock, Exmark will get the parts to the dealer the next business day or the part will be FREE Guaranteed!! (Some restrictions apply. See your participating Exmark Dealer for details.)

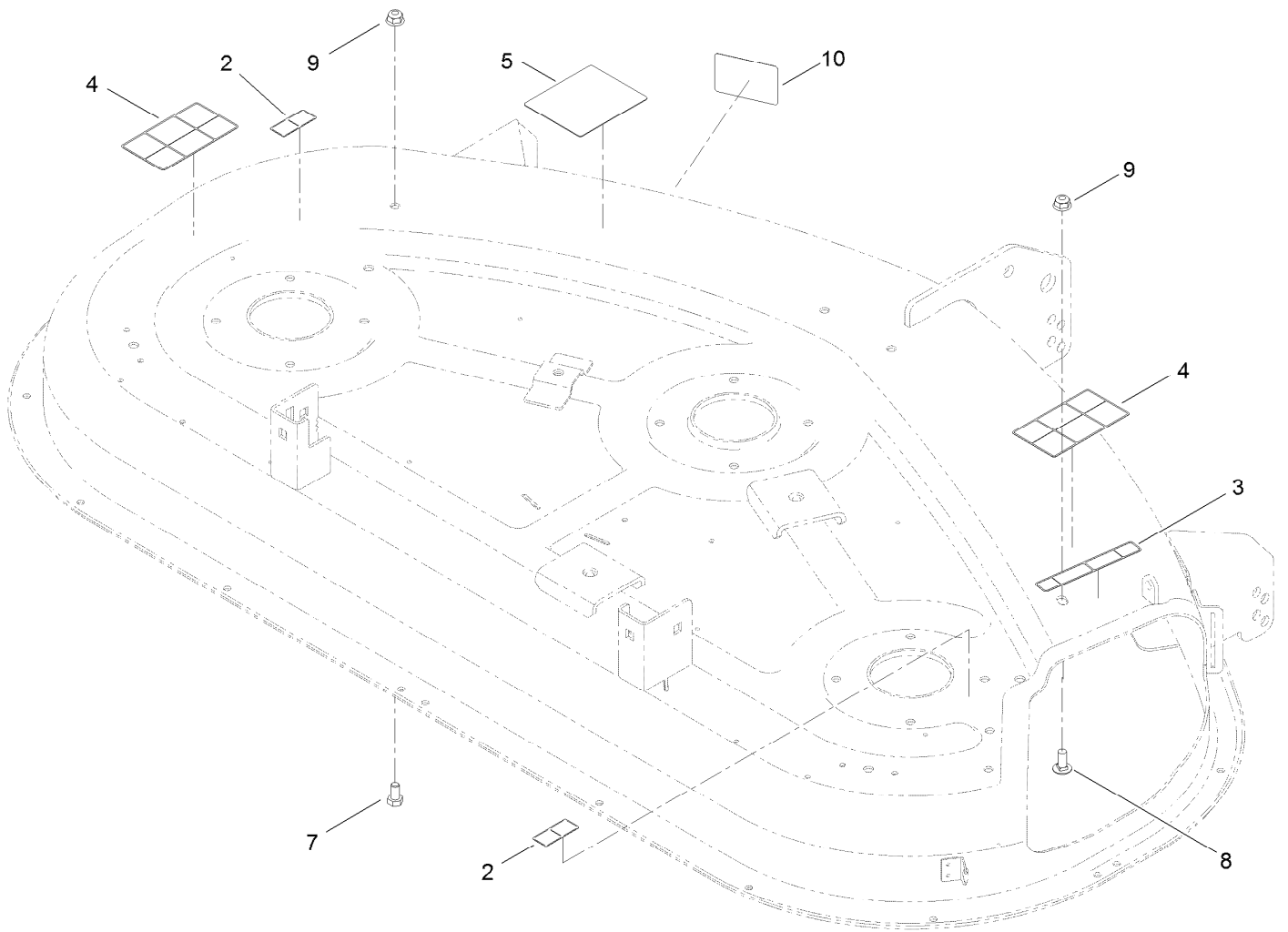
## Contents

50 Inch Deck Assembly .....	4
50 Inch Deck Decal Assembly No. 119-8841 .....	5
50 Inch Deck Belt, Spindle, and Blade Assembly .....	6
Main Frame and Front Axle Assembly .....	7
13 Inch Wheel and Tire Assembly .....	8
Deck Lift Assembly .....	9
Motion Control Assembly .....	10
Seat Assembly .....	11
Seat W/Track Assembly No. 121-5670 .....	12
Armrest Kit Assembly No. 110-5719 .....	13
Engine and Muffler Assembly .....	14
Clutch Assembly .....	15
Controls and Fuel Tank .....	16
Fuel Delivery Assembly .....	17
Hydro Transaxle Assembly .....	18
Belt and Pulley Assembly .....	19
LH Hydro Transaxle Assembly No. 119-3350 .....	20
RH Hydro Transaxle Assembly No. 119-3351 .....	22
Electrical Assembly .....	24



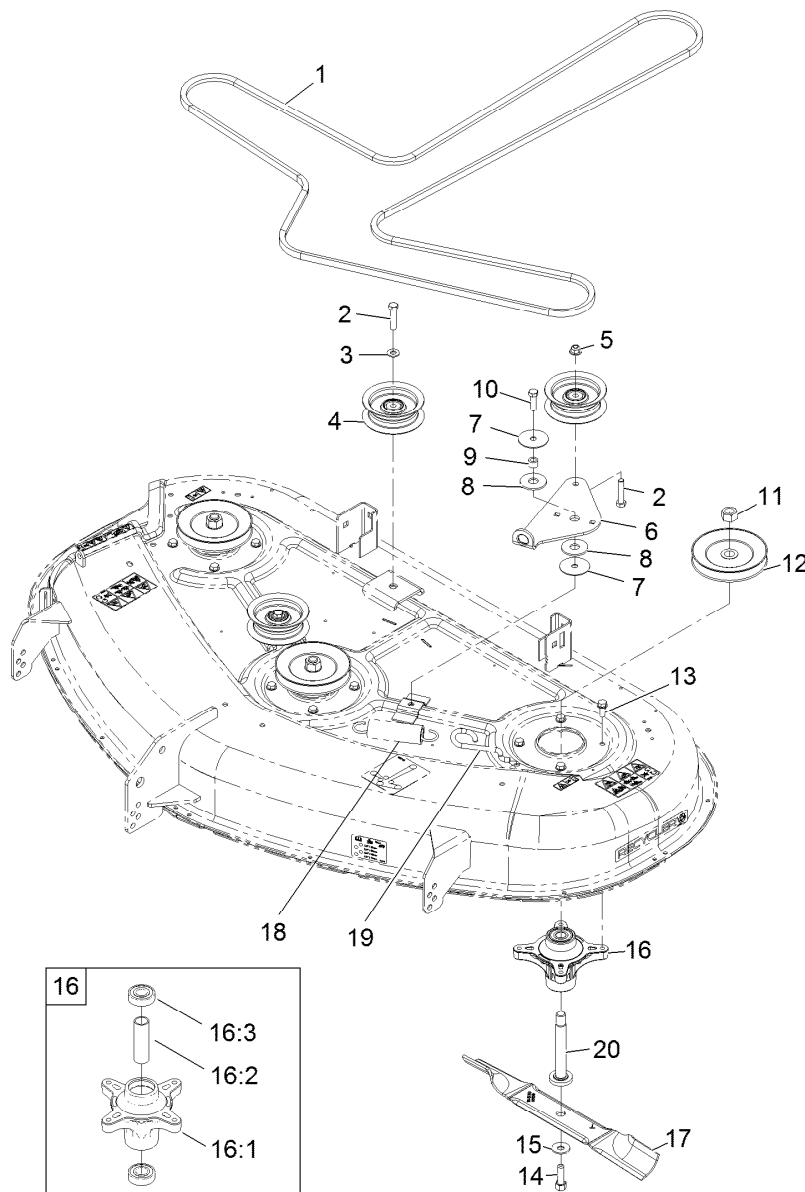
## 50 Inch Deck Assembly

<i>Ref.</i>	<i>Part Number</i>	<i>Qty.</i>	<i>Description</i>	<i>Ref.</i>	<i>Part Number</i>	<i>Qty.</i>	<i>Description</i>
1	119-8841	1	50 Inch Deck And Decal ASM	11	322-3	2	Screw-HH
2	119-3494	1	Bracket-Hanger, RH	12	95-3270	1	Connector-Hose
3	119-3496	1	Bracket-Hanger, LH	13	112-3983-03	1	Baffle-Cutoff
4	104-8301	7	Nut-Flange, NI	14	108-7890	2	Cover-Belt
5	3231-2	4	Screw-CARR	15	32104-76	6	Screw
6	104-8300	2	Nut-Flange, NI	16	112-3977	3	Bolt-Shoulder
7	95-2747	2	Fitting-Washout	17	1-603299	3	Roller-Scalp, Anti
8	46-6290	2	O-Ring, Seal	18	112-3950	1	Rod-Pivot
9	46-8560	4	Screw-HHFTF	19	108-7895	1	Deflector
10	117-1223	1	Decal	20	110-6694	1	Spring-Torsion
				22	3296-59	1	Nut-Lock, NI



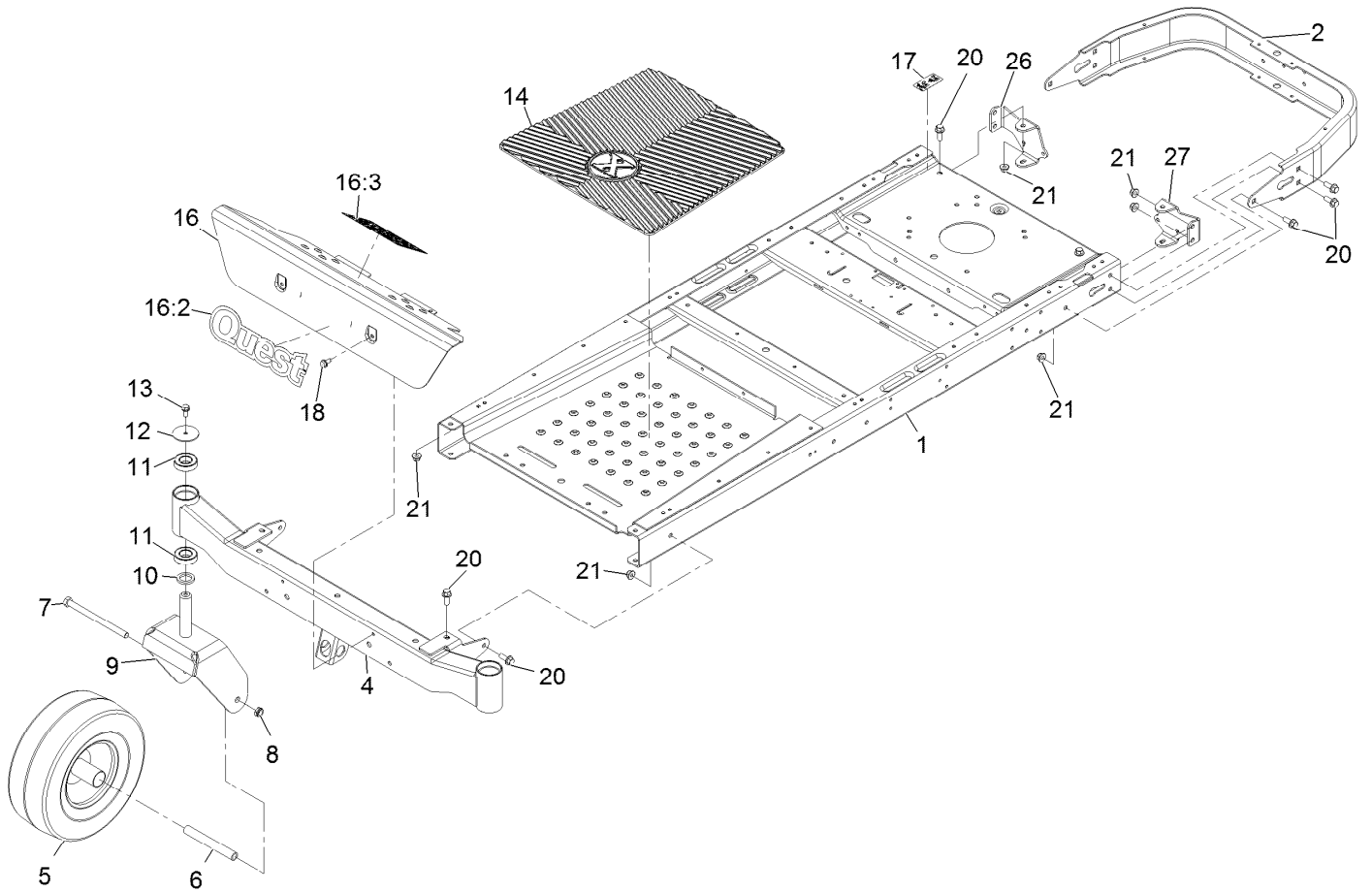
## 50 Inch Deck Decal Assembly No. 119-8841

<i>Ref.</i>	<i>Part Number</i>	<i>Qty.</i>	<i>Description</i>
2	114-1606	2	Decal-Danger, Pulley
3	93-7009	1	Decal-Danger, Deflector
4	110-6691	2	Decal-Danger
5	99-3943	1	Decal-Routing, Belt
7	322-2	1	Screw-HH
8	3230-23	1	Screw-CARR
9	104-8300	2	Nut-Flange, NI
10	112-9840	1	Decal-Scalp, Anti



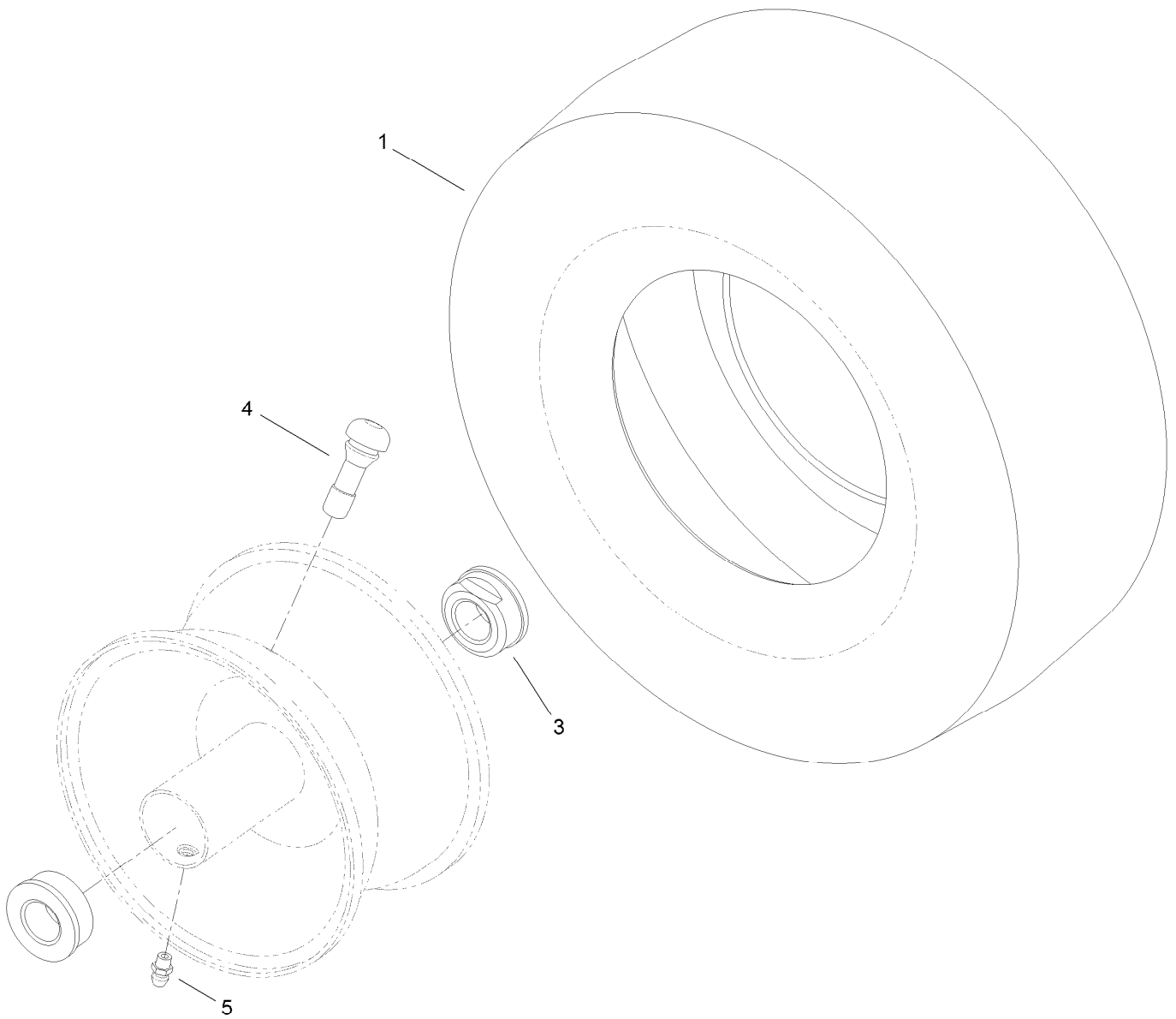
## 50 Inch Deck Belt, Spindle, and Blade Assembly

Ref.	Part Number	Qty.	Description	Ref.	Part Number	Qty.	Description
1	119-8820	1	V-Belt	13	32144-41	12	Screw-HWH 3/8-16 X 7/8 Taptite
2	323-9	3	Screw-HH 3/8-16 X 1 3/4	14	26-0671	3	Screw-HH
3	3256-24	2	Washer-3/8 Sae	15	3290-465	3	Washer-Spring Disc
4	106-2175	3	Pulley-Idler, Flat	16	121-0751	3	Spindle ASM
5	104-8301	1	Nut-Nyloc 3/8-16 Flg	16:1	117-7267	1	Spindle
6	114-8540	1	Arm-Idler	16:2	120-7935	2	Spacer
7	120-2229	2	Washer-Idler Pivot	16:3	100-1048	2	Bearing-Ball
8	114-0463	2	Washer-Friction, Composite	17	115-5059-03	3	Blade-Hi Lift, 17.50 Inch
9	115-4986	1	Spacer	18	1-603414	1	Spring-Extension
10	323-7	1	Screw-HH 3/8-16 X 1 1/4	19	112-3973	1	Hook-Return, Spring
11	3219-6	3	Nut-Hex 5/8-18	20	117-7268	3	Shaft-Spindle
12	110-6865	3	Pulley				



## Main Frame and Front Axle Assembly

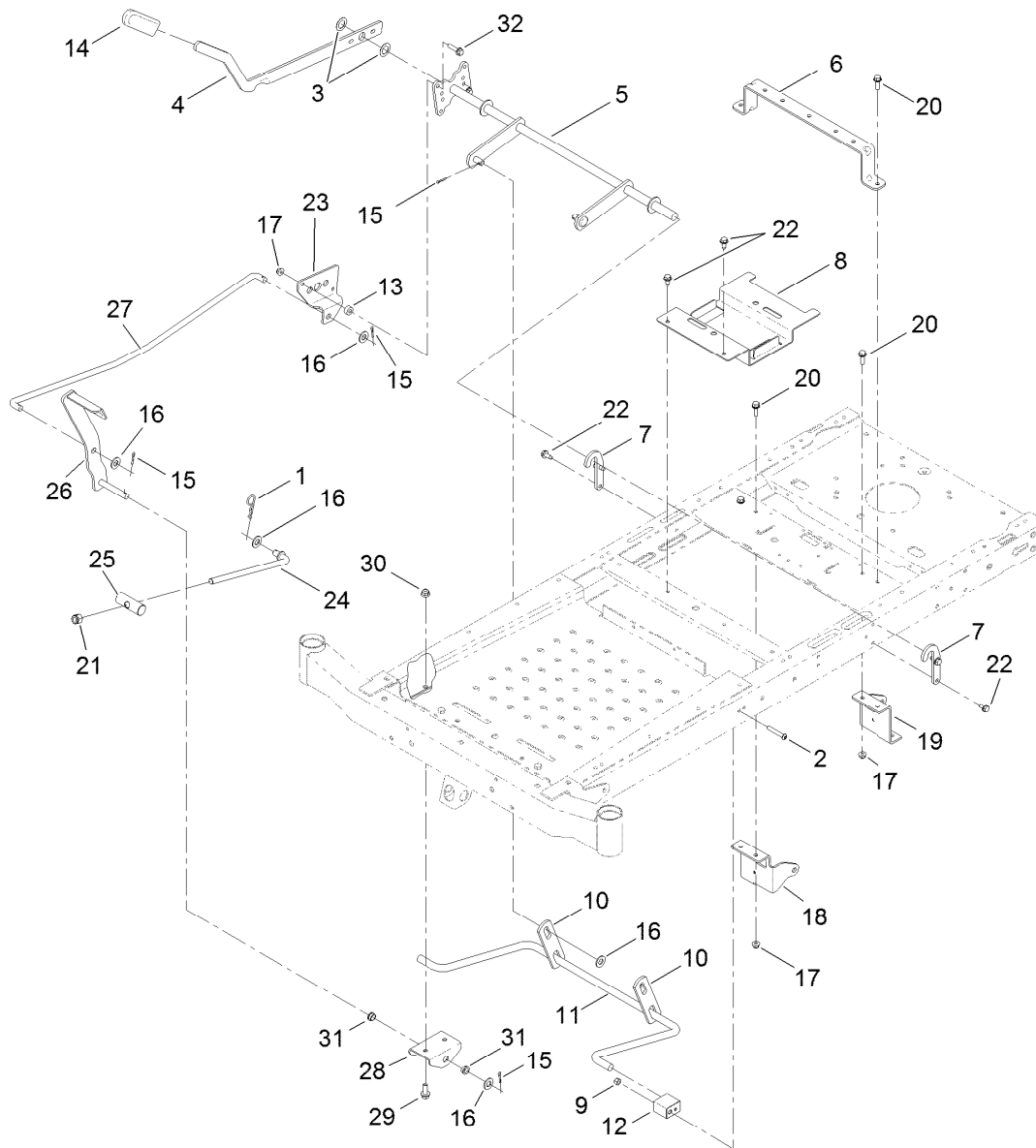
<i>Ref.</i>	<i>Part Number</i>	<i>Qty.</i>	<i>Description</i>	<i>Ref.</i>	<i>Part Number</i>	<i>Qty.</i>	<i>Description</i>
1	120-7963-01	1	Frame ASM	13	3234-47	2	Screw-HH Flg 5/16-18 X 3/4
2	117-7415-01	1	Bumper-Rear (Wide)	14	120-5456	1	Mat-Floor
4	120-5513-01	1	Axle-Front, Wide	16	125-0073	1	Footrest Service ASM
5	119-3473	2	13 Inch Wheel And Tire ASM	16:2	116-4218	1	Decal
6	119-3475	2	Spanner	16:3	120-2239	1	Decal-Danger
7	325-37	2	Screw-HH	17	121-2989	2	Decal-Bypass
8	3296-45	2	Nut-Nyloc 1/2-13 Thin	18	32144-70	2	Screw-HWH 5/16-18 X 3/4 Tf
9	119-3349-01	2	Fork-Caster, Wide	20	3234-42	14	Screw HHF 3/8-16 X 1
10	117-7394	2	Washer-Thrust	21	104-8301	14	Nut-Nyloc 3/8-16 Flg
11	109-3678	4	Bearing-Ball	26	121-0737-01	1	Mount-Hydro, Rear RH
12	119-8915	2	Washer	27	121-0738-01	1	Mount-Hydro, Rear LH



## 13 Inch Wheel and Tire Assembly

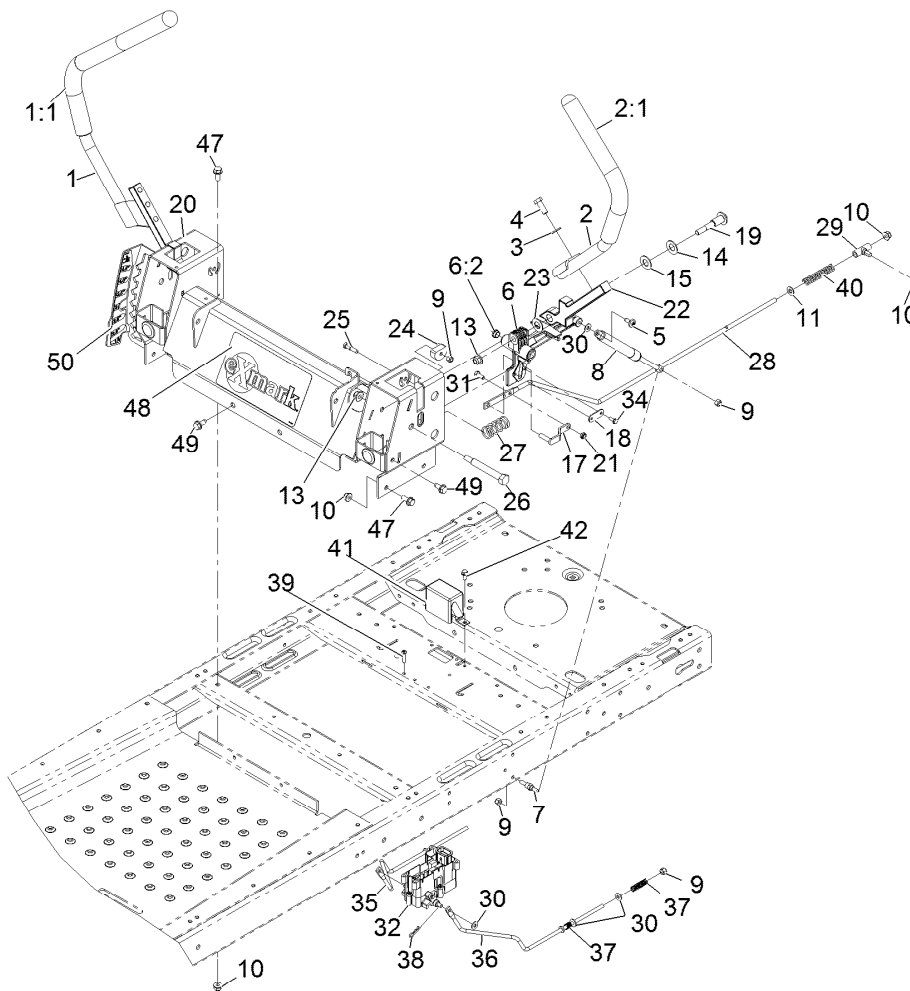
<i>Ref.</i>	<i>Part Number</i>	<i>Qty.</i>	<i>Description</i>
1	119-3471	1	Tire-13 Inch
3	114-1640	2	Bushing-Flange
4	232-27	1	Stem-Valve
5	302-5	1	Fitting-Grease





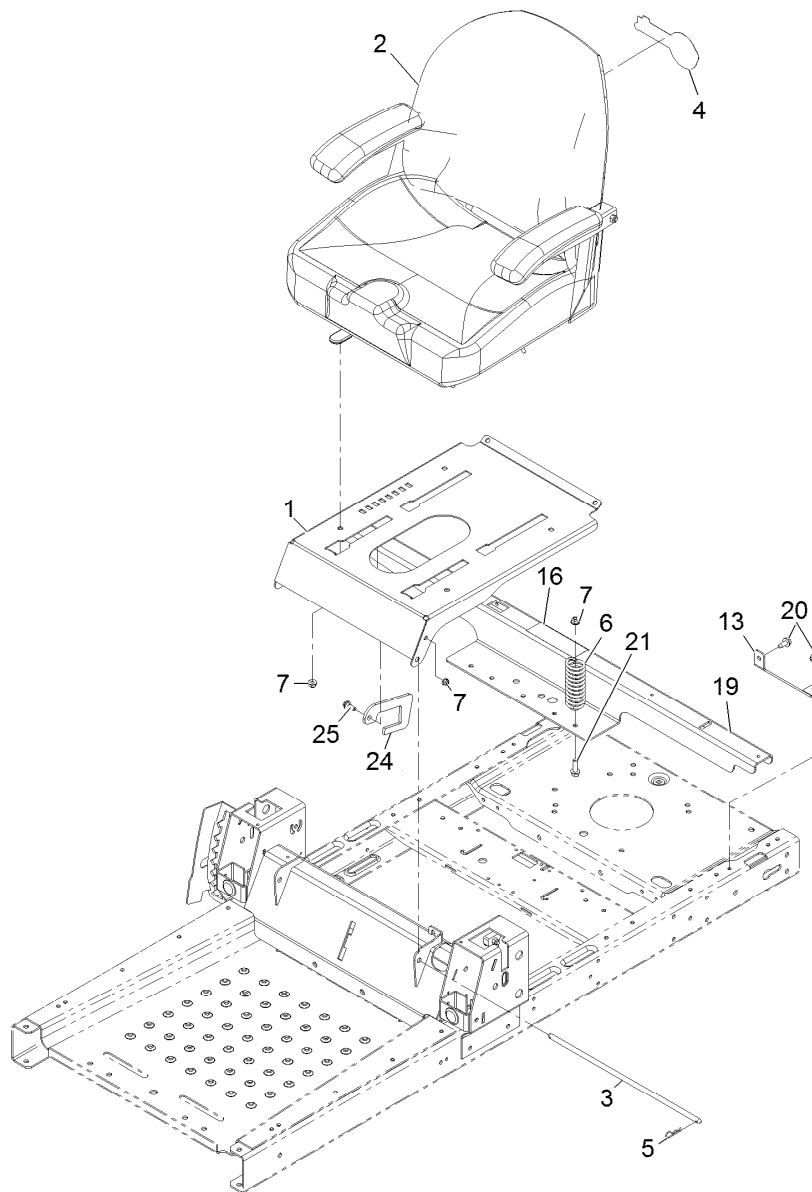
## Deck Lift Assembly

Ref.	Part Number	Qty.	Description	Ref.	Part Number	Qty.	Description
1	1-806005	1	Hairpin-Cotter	18	119-8861-01	1	Mount-Hydro, Front RH
2	120-5499	2	Screw-HSBH	19	119-8862-01	1	Mount-Hydro, Front LH
3	3-6498	2	Washer-Thrust	20	3234-29	4	Screw-HH Flg 5/16-18 X 1
4	119-3427-03	1	Lever-Lift	21	3296-19	1	Nut-Nyloc 1/2-20
5	119-3424-03	1	Deck Lift ASM	22	32144-70	6	Screw-HWH 5/16-18 X 3/4 Tf
6	117-7337-03	1	Brace-Seat, Rear	23	120-2275	1	Plate-Footlift
7	119-8875	2	Bracket-Lift	24	104-8047	1	Rod-Trunion
8	119-3406-03	1	Bracket-Battery	25	119-8810	1	Pin-Pivot
9	3296-29	2	Nut-Nyloc 5/16-18	26	120-2276-01	1	Pedal ASM
10	108-7840	2	Link-Lift	27	120-2242	1	Rod-Footlift
11	119-3347	1	Arm-Lift, Rear	28	120-2294-01	1	Bracket-Footlift
12	108-7845	2	Block-Pivot	29	3234-42	2	Screw HHF 3/8-16 X 1
13	121-1759	2	Spacer	30	104-8301	2	Nut-Nyloc 3/8-16 Flg
14	1-633268	1	Grip-Lever	31	256-156	2	Bushing-Flange
15	3272-10	5	Pin-Cotter 1/8 X 3/4	32	3234-36	2	Screw-HH Flg 5/16-18 X 1 1/4
16	3256-26	6	Washer-1/2 Sae				
17	104-8300	6	Nut-Nyloc 5/16-18 Flg				



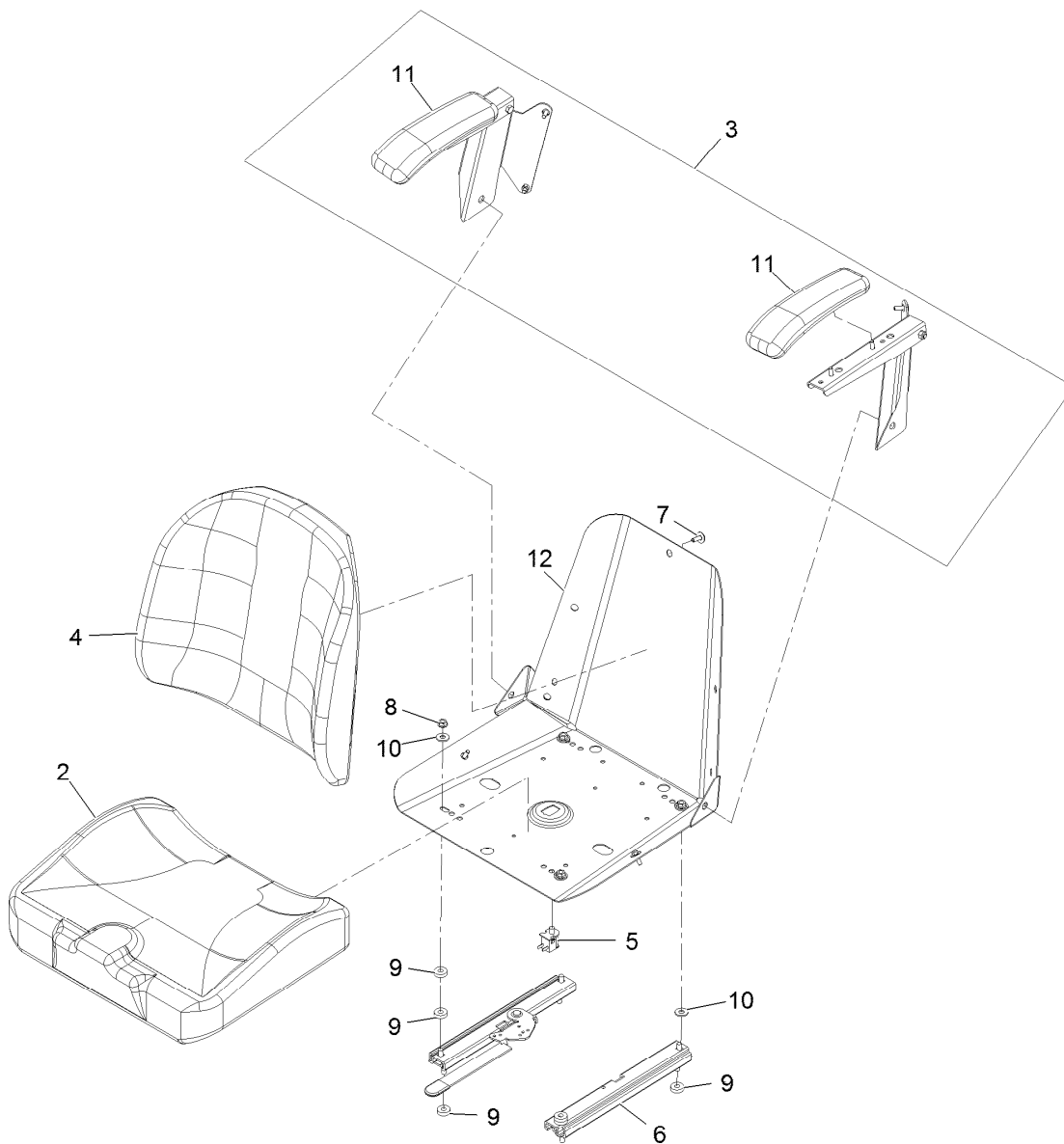
## Motion Control Assembly

Ref.	Part Number	Qty.	Description	Ref.	Part Number	Qty.	Description
1	121-0731	1	Handle-Control, RH	25	119-3301	2	Bolt-Pivot, Eccentric
1:1	121-0726	1	Grip	26	115-5099	2	Bolt-Pivot
2	121-0730	1	Handle-Control, LH	27	119-8876	2	Spring-Return
2:1	121-0726	1	Grip	28	117-5388	2	Rod-Hydro
3	3256-24	4	Washer-3/8 Sae	29	119-8842	2	Mount-Rod, Hydro
4	323-6	4	Screw-HH 3/8-16 X 1	30	119-8952	8	Washer
5	120-7950	2	Screw-Shoulder	31	321-3	2	Screw-HH 1/4-20 X 5/8
6	119-3470	2	Actuator Arm ASM	32	121-3017	1	Brake Control Module ASM
6:2	256-156	2	Bushing-Flange	34	32144-1	4	Screw-HWH #10-24 X 1/2 Taptite
7	110-6810	2	Stud-Damper	35	121-2976	1	Rod-Brake,RH-Wide
8	103-2913	2	Damper-Control, Motion	36	121-2977	1	Rod-Brake,LH-Wide
9	3296-42	8	Nut-Nyloc 1/4-20	37	117-1169	4	Spring-Compression
10	104-8300	10	Nut-Nyloc 5/16-18 Flg	38	3290-307	2	Pin-Hair
11	3256-23	2	Washer-5/16 Sae	39	32144-36	4	Screw-PPH
13	104-8301	4	Nut-Nyloc 3/8-16 Flg	40	1-603807	2	Spring
14	119-8925	2	Washer-Belleville	41	119-8859	1	Cover-Brake
15	117-1240	2	Washer	42	32144-4	1	Screw-HWH 1/2-20 X 1/2 Taptite
17	119-3303	2	Pin-Rod, Hydro	47	3234-47	6	Screw-HH Flg 5/16-18 X 3/4
18	119-8948	2	Plate-Stop, Hydro	48	116-4219	1	Decal
19	117-1198	2	Bolt-Pivot	49	32144-70	4	Screw-HWH 5/16-18 X 3/4 Tf
20	119-3387-03	1	Box-Control	50	119-8870	1	Decal-HOC
21	3296-56	2	Nut-Nyloc 1/4-20 Thin				
22	115-5098-05	2	Lever-Control				
23	120-2273	2	Washer-Nylon				
24	115-9604	2	Eccentric				



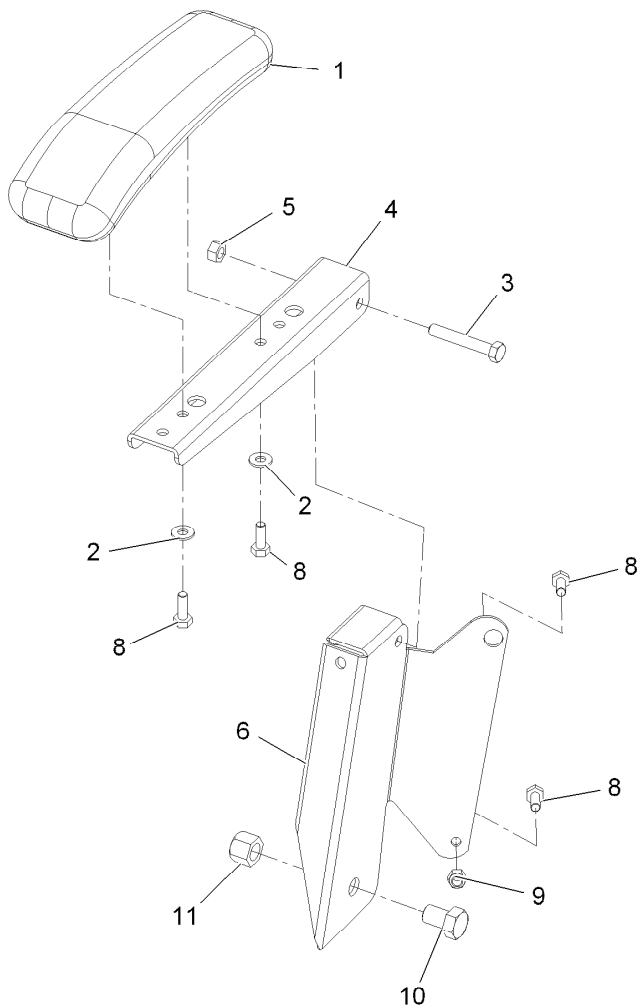
## Seat Assembly

<b>Ref.</b>	<b>Part Number</b>	<b>Qty.</b>	<b>Description</b>
1	119-3390-03	1	Pan-Seat
2	121-5670	1	Seat ASM
3	115-4966	1	Rod-Stop
4	120-5464	1	Decal
5	3290-250	2	Pin-Hair
6	92-7054	3	Spring-Compression
7	104-8300	8	Nut-Nyloc 5/16-18 Flg
13	119-3431-03	2	Support-Tank, Rear
16	106-8717	1	Decal-Service
19	119-3414-03	1	Support-Pod
20	32144-70	4	Screw-HWH 5/16-18 X 3/4 Tf
21	3234-29	3	Screw-HH Flg 5/16-18 X 1
24	120-5512	1	Stop-Seat
25	116-2670	1	Screw-Shoulder HHF 5/16-18 X .96

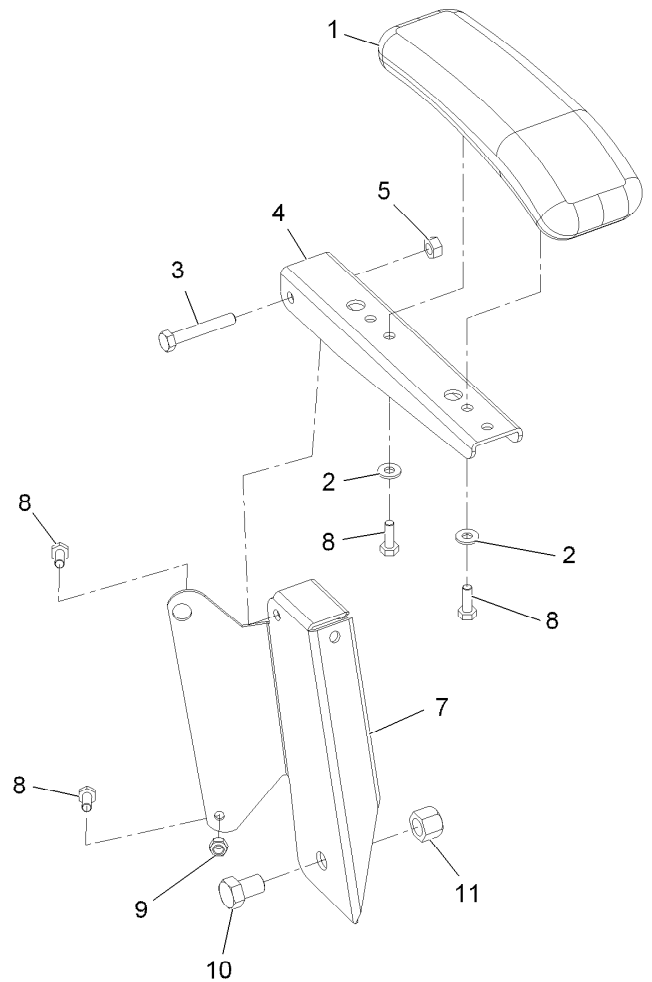


## Seat W/Track Assembly No. 121-5670

<i>Ref.</i>	<i>Part Number</i>	<i>Qty.</i>	<i>Description</i>
2	116-7329	1	Cushion-Seat Bottom
3	110-5719	1	Armrest Kit
4	116-3738	1	Cushion,Seat Back
5	82-2190	1	Switch
6	1-643255	1	Track-Seat
7	103-8383	7	Screw-HWH 1/4-20 X 3/4 Taptite
8	32128-20	4	Nut-Whizlock 5/16-18
9	26-4840	8	Spacer-Pin, Mounting
10	3256-3	6	Washer-5/16 Std
11	110-4163	2	Cushion-Rest, Arm
12	116-7496	1	Frame-Seat



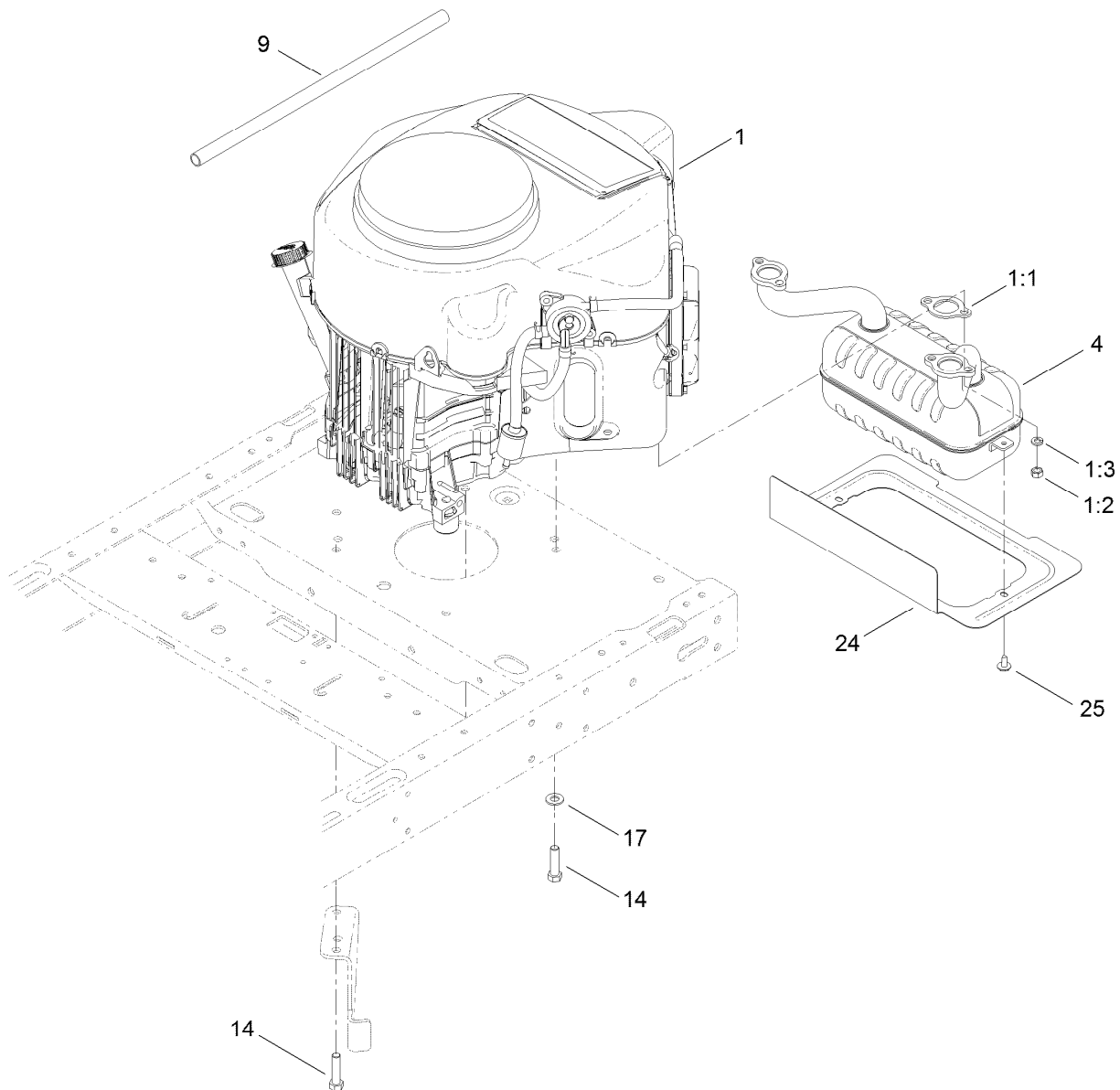
RH Armrest Assembly



LH Armrest Assembly

## Armrest Kit Assembly No. 110-5719

Ref.	Part Number	Qty.	Description
1	110-4163	2	Cushion-Rest, Arm
2	3256-22	4	Washer-1/4 Sae
3	322-10	2	Screw-HH 5/16-18 X 2
4	105-3623	2	Channel-Armrest
5	32153-3	2	Nut-Hex, Side Deform
6	105-3621	1	Bracket-Armrest, RH
7	105-3622	1	Bracket-Armrest, LH
8	321-30	8	Screw-HH
9	3296-42	4	Nut-Nyloc 1/4-20
10	325-2	2	Screw-HH
11	3296-23	2	Nut-Nyloc 1/2-13

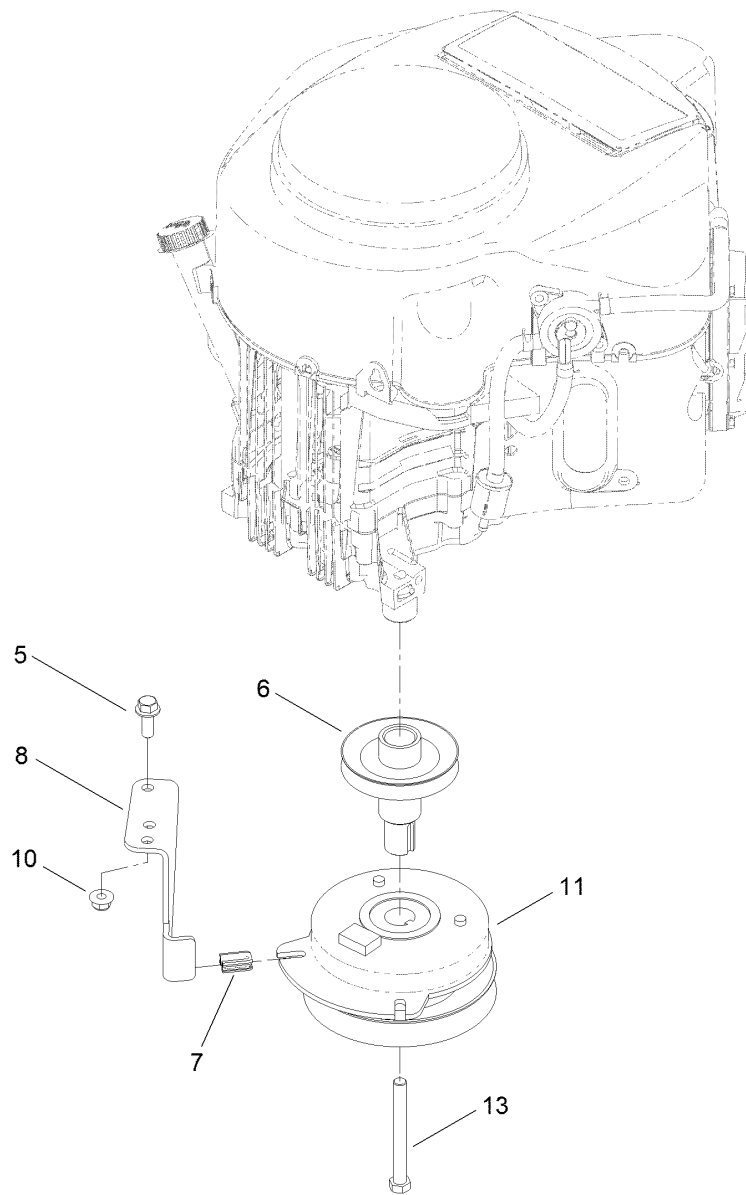


## Engine and Muffler Assembly

Ref.	Part Number	Qty.	Description
1		1	Engine-Kawasaki, Fr691V-_s07-R ●■
1:1	1-653313	2	Gasket-Exhaust
1:2	114-3549	4	Nut
1:3	114-3550	4	Washer-Lock, Spring
4	117-7256	1	Muffler-Kawasaki
9	106-7022	1	Tube-Drain, Oil
14	323-50	4	Bolt-HH
17	3256-24	3	Washer-Flat
24	121-2973-03	1	Shield-Heat
25	46-8560	2	Screw-HHFTF

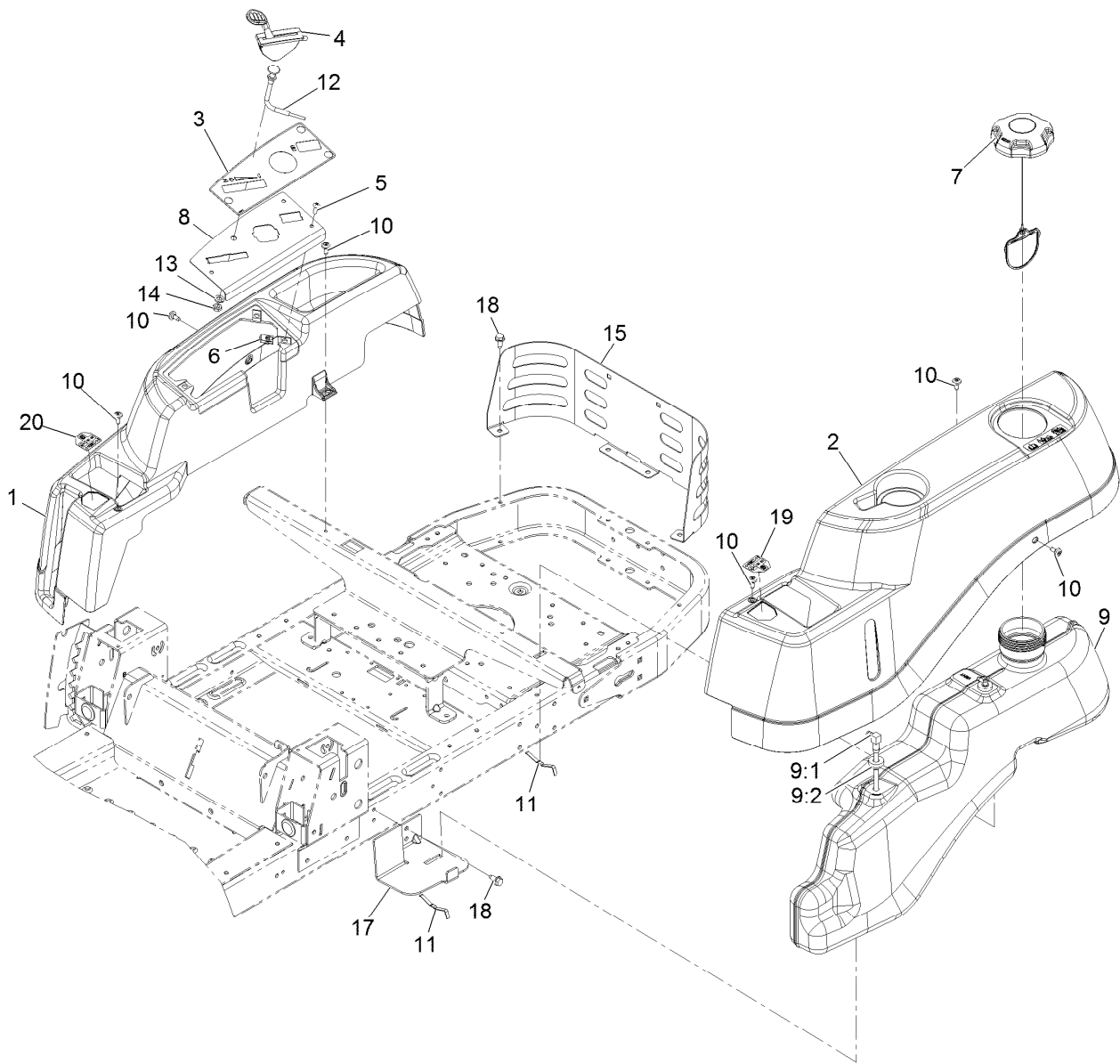
● Not serviced separately

■ Obtain parts from [www.kawpowerpc.com](http://www.kawpowerpc.com)



## Clutch Assembly

<i>Ref.</i>	<i>Part Number</i>	<i>Qty.</i>	<i>Description</i>
5	3234-42	1	Screw-HHF
6	119-3318	1	Pulley-Engine
7	120-2217	1	Isolator-Clutch
8	119-8885	1	Stop-Clutch
10	104-8301	1	Nut-Flange, NI
11	110-6766	1	Clutch-Electric, PTO
13	3212-17	1	Screw-HH

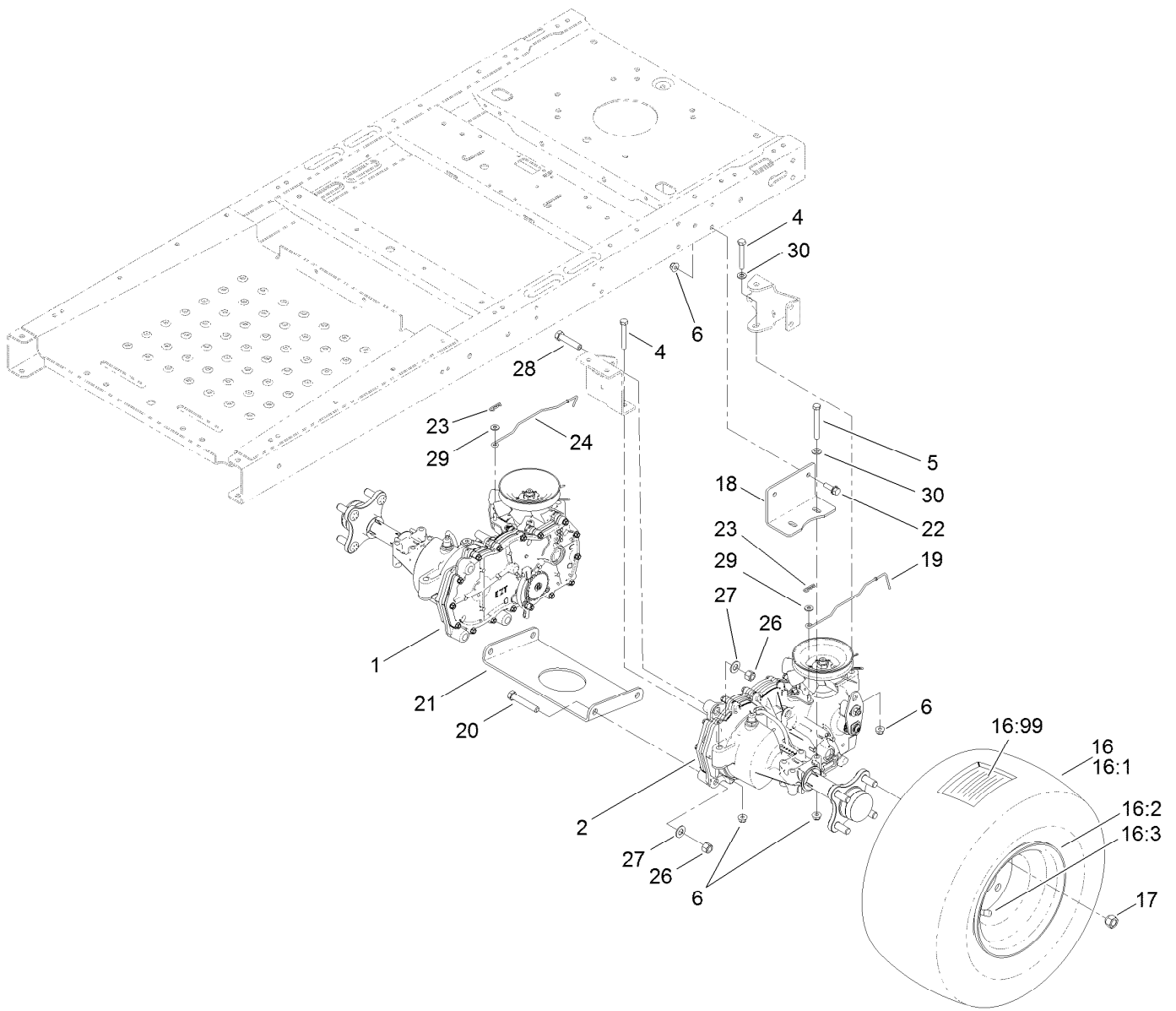


## Controls and Fuel Tank

<i>Ref.</i>	<i>Part Number</i>	<i>Qty.</i>	<i>Description</i>	<i>Ref.</i>	<i>Part Number</i>	<i>Qty.</i>	<i>Description</i>
1	119-8963	1	Pod-RH	10	120-7950	6	Screw-Shoulder
2	119-8962	1	Pod-LH	11	609830	2	Spring
3	116-4220	1	Decal-Panel, Control	12	112-9753	1	Cable-Choke
4	120-2214	1	Cable-Throttle	13	3253-21	1	Washer-Lock 3/8
5	3258-166	3	Screw-PPH 1/4-20 X 3/4	14	3220-3	1	Nut-Jam 3/8-24
6	107069	3	Nut-Retainer-Panel 1/4-20	15	119-8967-03	1	Guard-Rear
7	120-5461	1	Cap-Fuel, Ratcheting	17	119-3395-03	1	Support-Tank, Front
8	119-3377-03	1	Plate-Control	18	32144-70	6	Screw-HWH 5/16-18 X 3/4 Tf
9	119-3324	1	Fuel Tank ASM	19	119-8814	1	Decal-Control Lever, LH
9:1	121-0793	1	Connector-Elbow, 90 DEG	20	119-8815	1	Decal-Control Lever, RH
9:2	46-6560	2	Bushing				

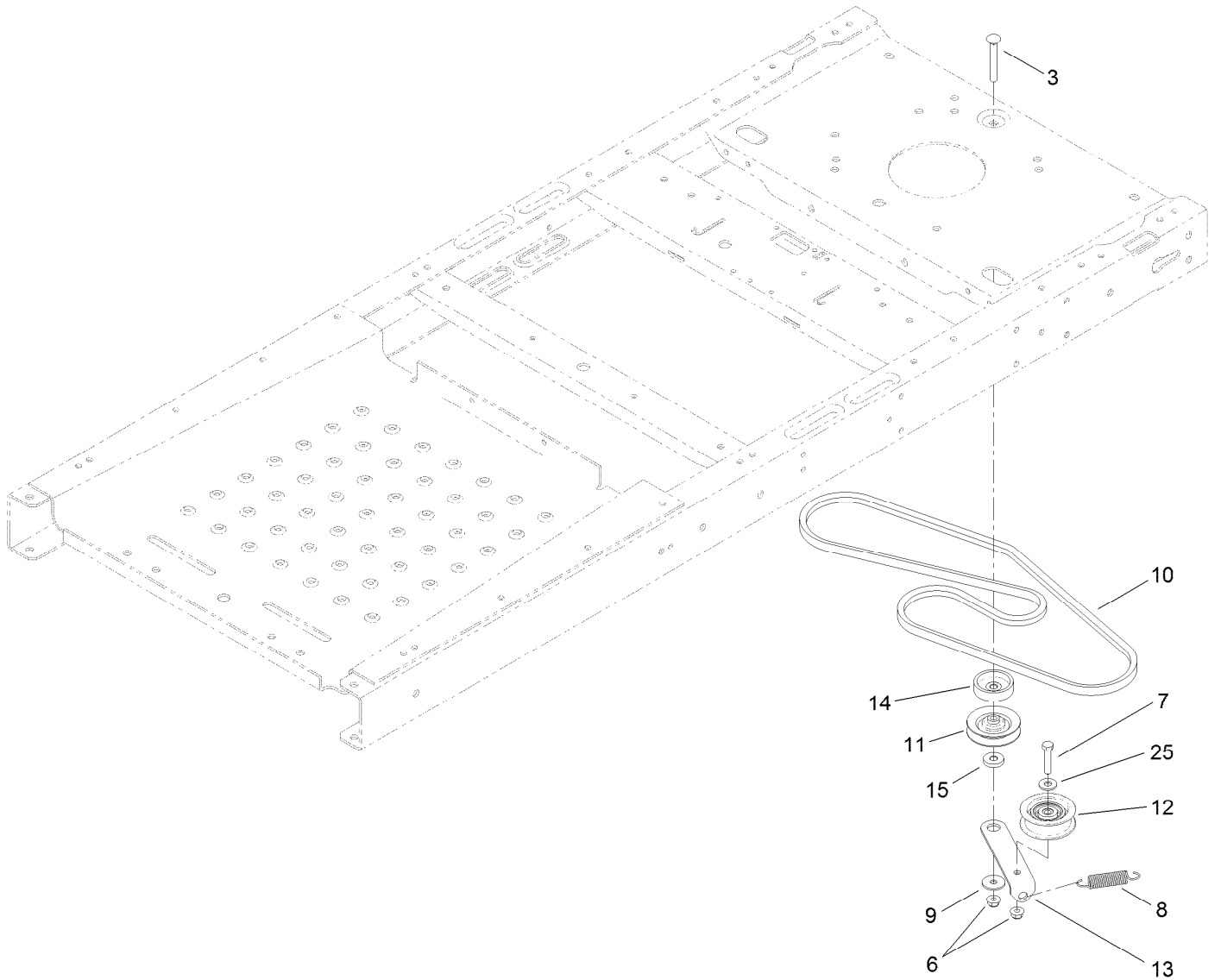






## Hydro Transaxle Assembly

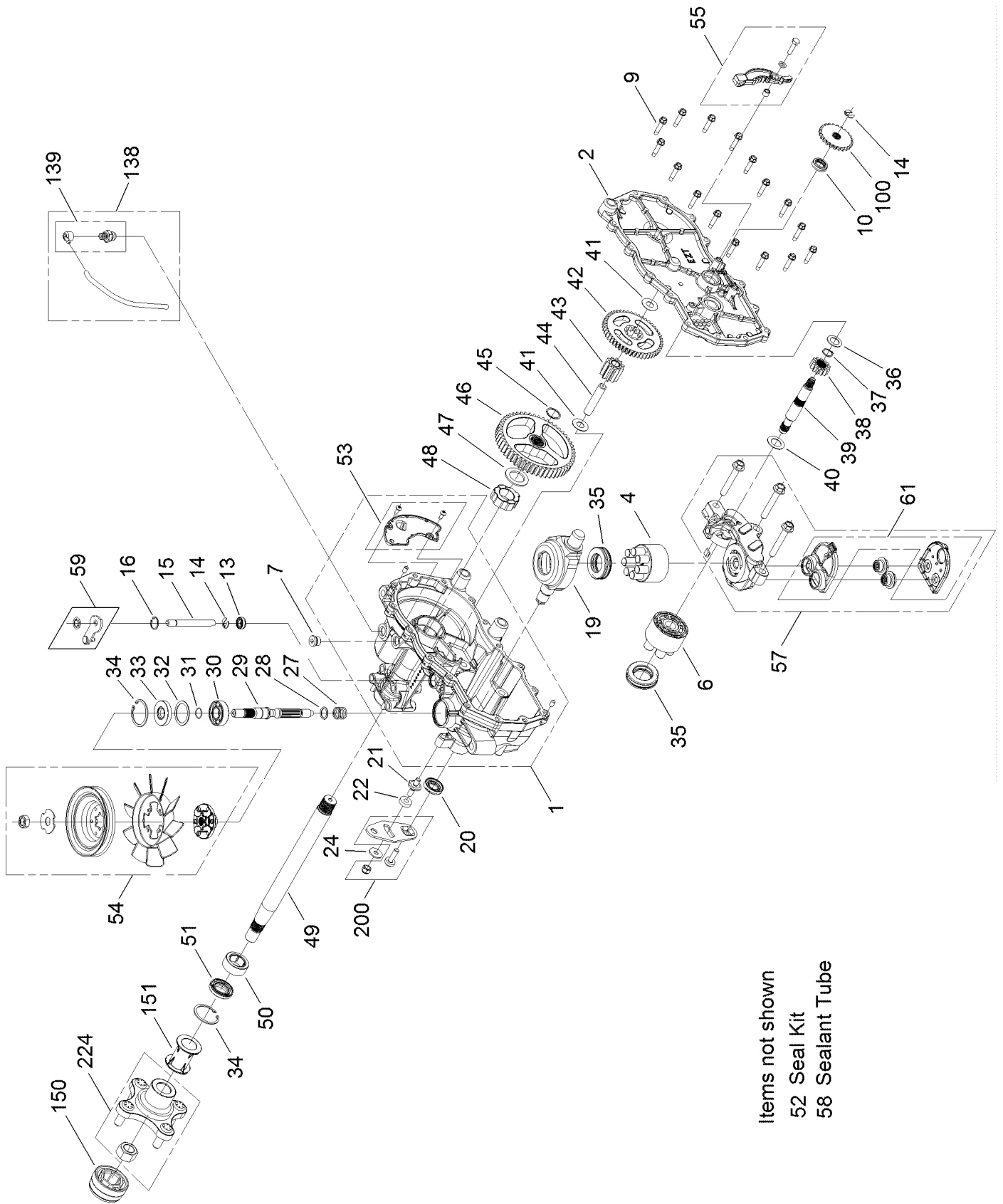
Ref.	Part Number	Qty.	Description	Ref.	Part Number	Qty.	Description
1	119-3351	1	RH Hydro Transaxle ASM	19	121-2971	1	Rod-Bypass, LH
2	119-3350	1	LH Hydro Transaxle ASM	20	324-10	4	Screw-HH
4	322-11	4	Screw-HH	21	119-3342-03	1	Cross Plate-Hydro
5	322-13	4	Screw-HH	22	3234-29	4	Screw-HHF
6	104-8300	12	Nut-Flange, NI	23	3290-307	2	Pin-Hair
16	119-8908	2	Wheel And Tire ASM	24	121-0752	1	Rod-Bypass, RH
16:1	119-8909	1	Tire	26	3296-48	6	Nut-Lock, NI
16:2	217-60	1	Rim	27	3256-25	6	Washer-Flat
16:3	232-27	1	Stem-Valve	28	324-8	2	Screw-HH
16:99	232-37	1	Tube	29	3256-22	2	Washer-Flat
17	242-50	8	Nut-Lug	30	3256-23	6	Washer-Flat
18	117-7264-03	2	Mount-Hydro				



## Belt and Pulley Assembly

Ref.	Part Number	Qty.	Description
3	3230-8	1	Screw-CARR
6	104-8300	2	Nut-Flange, NI
7	322-7	1	Screw-HH
8	104-6415	1	Spring-Return, Pedal
9	5-4460	1	Washer-Pivot
10	119-3321	1	V-Belt
11	119-8822	1	Pulley-Idler
12	106-2176	1	Pulley-Idler
13	119-3326	1	Arm-Idler
14	119-3353	1	Spacer
15	119-3327	1	Spacer-Arm, Idler
25	3256-3	1	Washer-Flat

# LH Hydro Transaxle Assembly No. 119-3350



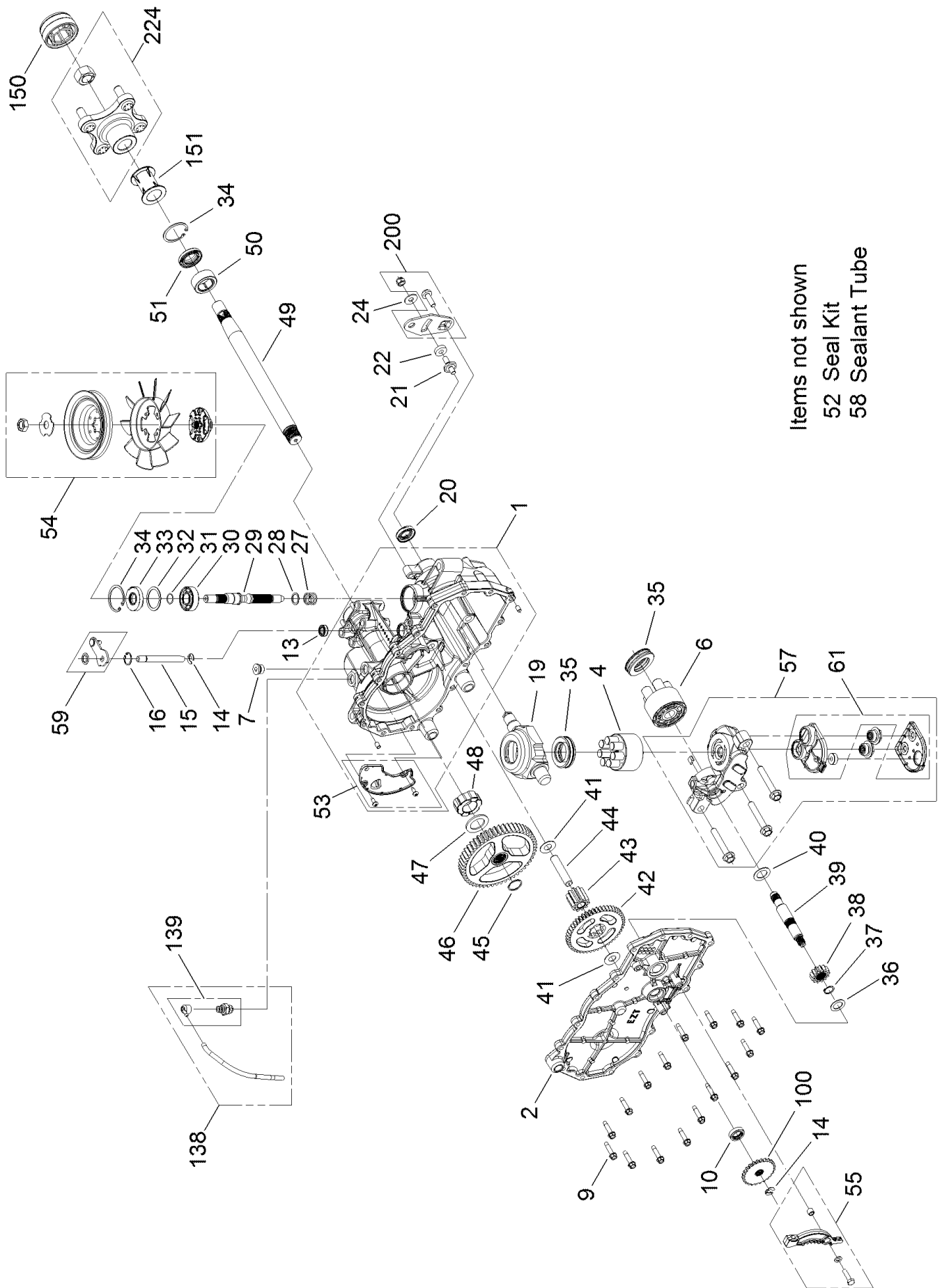
Items not shown  
 52 Seal Kit  
 58 Sealant Tube

# LH Hydro Transaxle Assembly No. 119-3350 (continued)

<i>Ref.</i>	<i>Part Number</i>	<i>Qty.</i>	<i>Description</i>	<i>Ref.</i>	<i>Part Number</i>	<i>Qty.</i>	<i>Description</i>
1	106-8695	1	Main Housing ASM	39	106-8683	1	Shaft-Motor
2	106-8696	1	Side ASM	40	104-5360	1	Washer
4	110-8561	1	Pump Block ASM	41	119-5541	2	Washer
6	103-2666	1	Cylinder Block Kit	42	104-5317	1	Gear-10T/48T
7	104-2189	1	Plug-Thread, Straight	43	104-5318	1	Gear-Jackshaft, 10T
9	104-5305	16	Screw-HHF	44	104-5329	1	Pin-Jackshaft
10	104-5347	1	Seal-Oil	45	112-9854	1	Ring-Spiral, Retaining
13	106-8676	1	Seal-Lip	46	112-9855	1	Gear-52T, Bull
14	106-8677	2	Ring-Retaining, EXT	47	112-9856	1	Washer
15	106-8678	1	Rod-Bypass	48	112-9857	1	Bearing-Sleeve
16	106-8679	1	Ring-Retaining, Int	49	120-7104	1	Shaft-Axle
19	104-5304	1	Swashplate-Trunnion	50	112-9859	1	Bushing-Axle
20	104-5313	1	Seal-Lip	51	112-9860	1	Seal-Lip
21	104-2116	1	Stud	52	106-8686	1	Seal Kit ●
22	112-9853	1	Puck-Friction	53	106-8697	1	Expansion Plate Kit
24	114-8491	1	Washer	54	105-1928	1	Fan Pulley Kit
27	120-5537	1	Spring-Compression	55	106-8688	1	Brake Arm Kit
28	120-5538	1	Washer	57	112-9861	1	Center Section Filter Kit
29	104-5306	1	Shaft-Input	58	104-2147	1	Sealant ●
30	104-5311	1	Bearing-Ball	59	120-5549	1	Bypass Kit
31	104-5307	1	Ring-Retaining	61	114-1634	1	Filter Kit
32	104-5308	1	Spacer	100	106-8694	1	Disc-Brake, Cog
33	104-5310	1	Seal-Lip	138	112-9866	1	Breather Kit
34	104-5309	2	Ring-Retaining	139	114-1635	1	Breather ASM
35	94-6922	2	Bearing-Thrust	150	115-5057	1	Cover-Nut, Axle
36	104-5339	1	Washer-Flat	151	120-7109	1	Tube-Axle
37	104-5340	1	Ring-Retaining	200	117-5362	1	Arm Control Kit
38	104-5316	1	Gear-Pinion, 13T	224	120-7110	1	Hub ASM

● Not illustrated

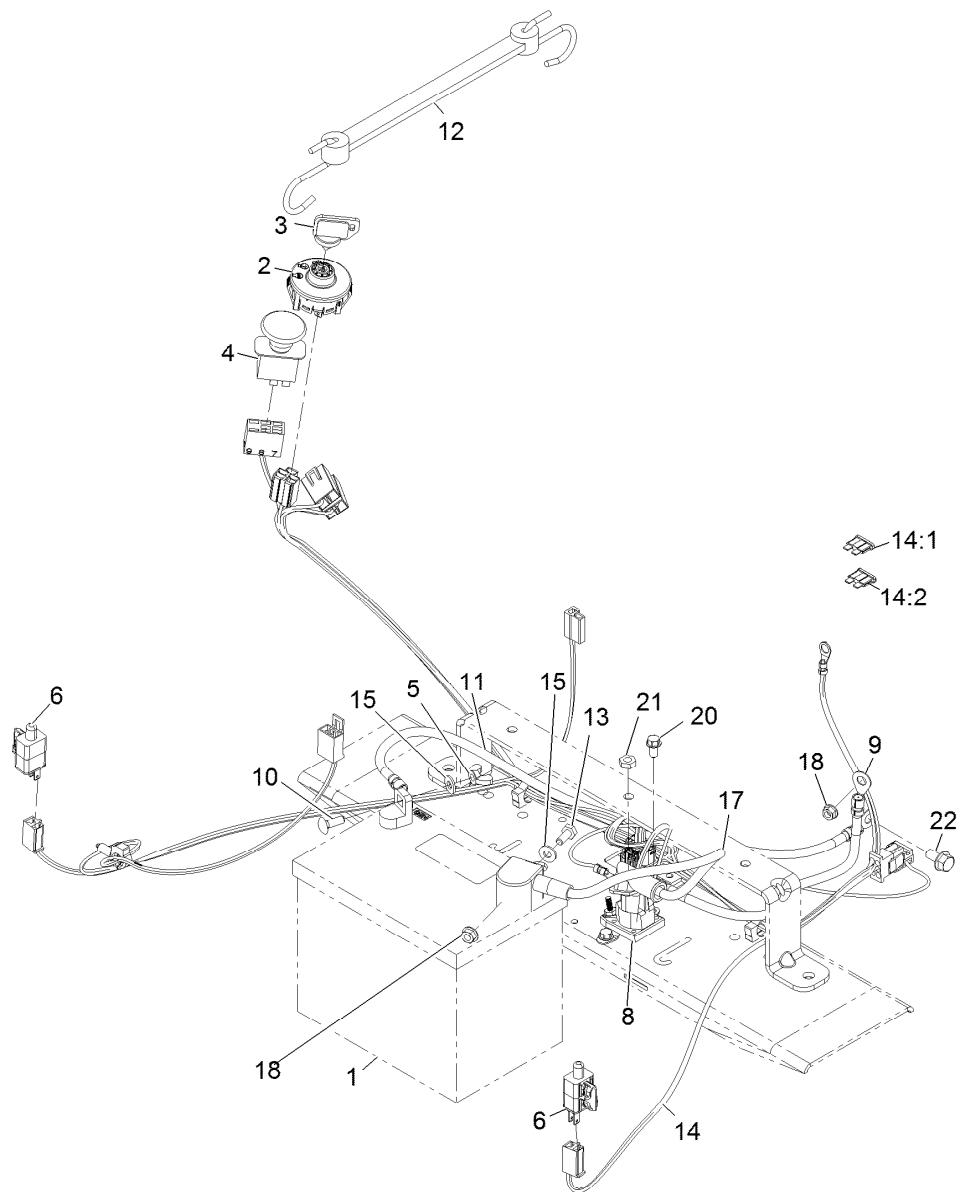
# RH Hydro Transaxle Assembly No. 119-3351



# RH Hydro Transaxle Assembly No. 119-3351 (continued)

<i>Ref.</i>	<i>Part Number</i>	<i>Qty.</i>	<i>Description</i>	<i>Ref.</i>	<i>Part Number</i>	<i>Qty.</i>	<i>Description</i>
1	106-8674	1	Main Housing ASM	39	106-8683	1	Shaft-Motor
2	106-8675	1	Side ASM	40	104-5360	1	Washer
4	110-8561	1	Pump Block ASM	41	119-5541	2	Washer
6	103-2666	1	Cylinder Block Kit	42	104-5317	1	Gear-10T/48T
7	104-2189	1	Plug-Thread, Straight	43	104-5318	1	Gear-Jackshaft, 10T
9	104-5305	16	Screw-HHF	44	104-5329	1	Pin-Jackshaft
10	104-5347	1	Seal-Oil	45	112-9854	1	Ring-Spiral, Retaining
13	106-8676	1	Seal-Lip	46	112-9855	1	Gear-52T, Bull
14	106-8677	1	Ring-Retaining, EXT	47	112-9856	1	Washer
15	106-8678	1	Rod-Bypass	48	112-9857	1	Bearing-Sleeve
16	106-8679	1	Ring-Retaining, Int	49	120-7104	1	Shaft-Axle
19	104-5304	1	Swashplate-Trunnion	50	112-9859	1	Bushing-Axle
20	104-5313	1	Seal-Lip	51	112-9860	1	Seal-Lip
21	104-2116	1	Stud	52	106-8686	1	Seal Kit ●
22	112-9853	1	Puck-Friction	53	106-8687	1	Expansion Plate Kit
24	114-8491	1	Washer	54	120-7105	1	Fan Pulley Kit
27	120-5537	1	Spring-Compression	55	106-8688	1	Brake Arm Kit
28	120-5538	1	Washer	57	112-9862	1	Center Section Filter Kit
29	104-5306	1	Shaft-Input	58	104-2147	1	Sealant ●
30	104-5311	1	Bearing-Ball	59	107-2489	1	Bypass Arm Kit
31	104-5307	1	Ring-Retaining	61	114-1634	1	Filter Kit
32	104-5308	1	Spacer	100	106-8694	1	Disc-Brake, Cog
33	104-5310	1	Seal-Lip	138	112-9866	1	Breather Kit
34	104-5309	1	Ring-Retaining	139	114-1635	1	Breather ASM
35	94-6922	2	Bearing-Thrust	150	115-5057	1	Cover-Nut, Axle
36	104-5339	1	Washer-Flat	151	120-7109	1	Tube-Axle
37	104-5340	1	Ring-Retaining	200	117-5362	1	Arm Control Kit
38	104-5316	1	Gear-Pinion, 13T	224	120-7110	1	Hub ASM

● Not illustrated



## Electrical Assembly

Ref.	Part Number	Qty.	Description	Ref.	Part Number	Qty.	Description
1		1	Battery ●	13	321-3	1	Screw-HH 1/4-20 X 5/8
2	117-2221	1	Switch-Ignition	14	121-5652	1	Harness-Wire
3	103-2106	1	Key-Ignition	14:1	109103	1	Fuse-Blade, 30 Amp
4	103-5221	1	Switch-PTO	14:2	109102	1	Fuse-Blade, 25 Amp
5	32103-22	1	Nut-Wing	15	3256-22	2	Washer-1/4 Sae
6	110-6765	2	Switch-Single Pole No	17	119-8897	1	Cable-Battery, Red
8	117-1197	1	Solenoid	18	32128-33	2	Nut-Whizlock 1/4-20
9	119-8898	1	Cable-Battery, Red	20	32144-4	2	Screw-HWH 1/2-20 X 1/2 Taptite
10	3229-1	1	Bolt-Carriage 1/4-20 X 3/4	21	3220-2	2	Nut-Jam 5/16-24
11	119-8899	1	Cable-Battery, Black	22	33104-016	1	Screw-HHF
12	104-2466	1	Holddown-Battery				

● Not serviced separately



**Notes:**

**Notes:**

# EXMARK® MAINTENANCE

## MAXIMIZE THE PERFORMANCE OF YOUR EXMARK.

### **4-CYCLE PREMIUM ENGINE OIL**

Part No. 116-3373

Both SAE 30 and SAE 10W-30 in one bottle.

Contains increased levels of zinc and phosphorus for better lubricity.

No Viscosity Index Improvers that tend to shear down in high heat.

Synthetic formulation.

Gas & Diesel compatible.

Anti-corrosion additives.

API 'SL' and JASO rated with wet clutch compatibility for other machines.

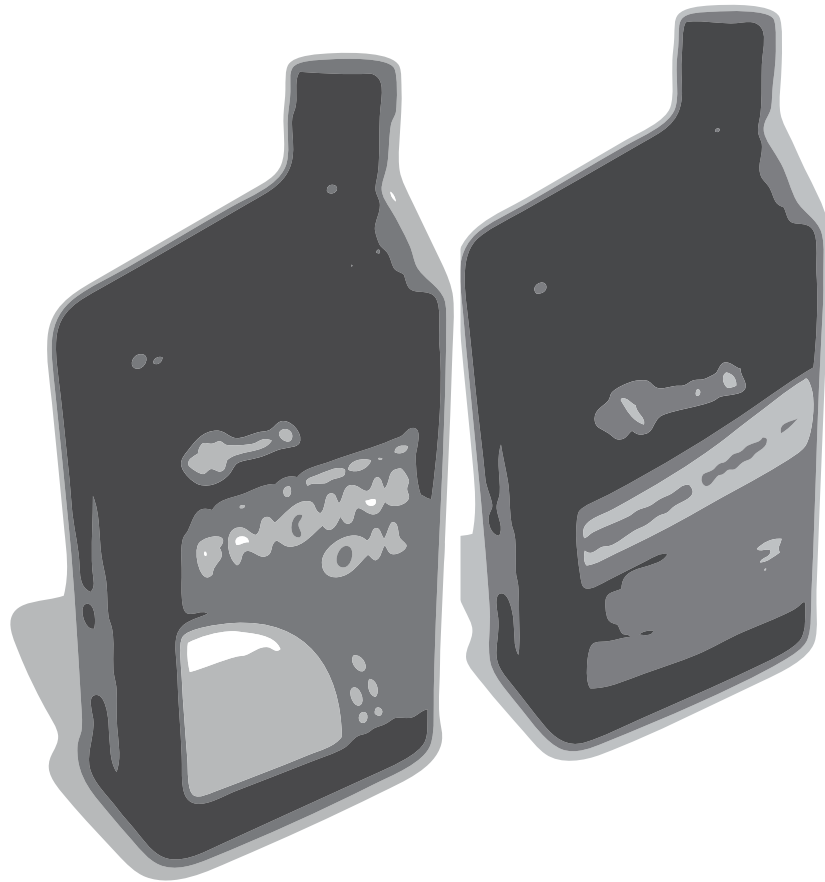
### **PREMIUM HYDRO OIL**

Part No. 109-9828

Commercial quality for tough, high-heat conditions.

Designed specifically for zero-turn mower hydraulic systems.

Superior shear resistance under heavy loads.



Available from your local Exmark dealer. Find your closest dealer at [exmark.com](http://exmark.com)

## EXMARK ACCESSORIES AND OPTIONS\*

### MID-MOUNT RIDING ACCESSORIES AND OPTIONS

CUSTOM RIDE SEAT SUSPENSION SYSTEM	OPERATOR CONTROLLED DISCHARGE
FULL SUSPENSION SEAT	SUN SHADE
DECK LIFT ASSIST KIT	TRASH CONTAINER
HITCH KIT	TURF STRIPER
LIGHT KIT	ULTRA VAC COLLECTION SYSTEM
12V POWER PORT	ULTRA VAC QUICK DISPOSAL SYSTEM
MICRO-MULCH SYSTEM	

### OUT-FRONT RIDING ACCESSORIES AND OPTIONS

CUSTOM RIDE SEAT SUSPENSION SYSTEM	SNOW BLADE
DUAL-TAIL WHEEL	SNOWBLOWER
FLOOR PAN EXTENDER	SUN SHADE
HITCH KIT	TRASH CONTAINER
LIGHT KIT	ULTRA VAC COLLECTION SYSTEM
MICRO-MULCH SYSTEM	ULTRA VAC QUICK DISPOSAL SYSTEM
ROLL OVER PROTECTION SYSTEM (ROPS)	WEATHER CAB

### WALK-BEHIND ACCESSORIES AND OPTIONS

GRASS CATCHER	TURF STRIPER
MICRO-MULCH SYSTEM	STANDON

\*Some accessories and options not available for some models.

Place Model No. and Serial No.  
Label Here (Included in the Literature  
Pack) or Fill in Below

Model No. \_\_\_\_\_

Serial No. \_\_\_\_\_

Date Purchased \_\_\_\_\_

Engine Model No. and Spec. No. \_\_\_\_\_

Engine Serial No. (E/No) \_\_\_\_\_

© 2012 Exmark Mfg. Co., Inc.  
Industrial Park Box 808  
Beatrice, NE 68310  
All Rights Reserved

Part No. 4501-066 Rev. B  
(402) 223-6300  
Fax (402) 223-5489  
Printed in the USA.

