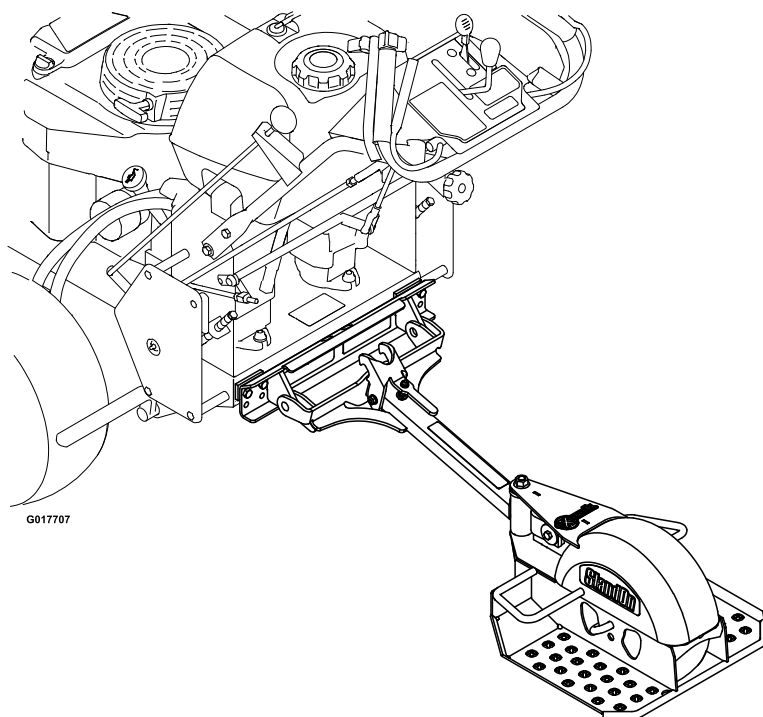




# STANDON

Model No. 116-7223—Serial No. 31200000 and Up

Picture below may not reflect actual product.



# Parts Manual

Part No. 4501-190 Rev. A

# Ordering Replacement Parts

To order replacement parts, please supply the part number, the quantity, and the description of each part desired.

## Understanding Reference Numbers

Each identified part in an illustration has a reference number. The reference number for a part also appears in the parts list, along with other information about the part.

This catalog uses two special reference number formats, one to indicate parts in a service assembly and another to indicate the quantity of a given part in an illustration.

## Service Assembly Reference Numbers

Parts in service assemblies have reference numbers in the form a:b. The a represents the reference number of the entire service assembly and the b represents a sequential number unique to each part within the service assembly.

For example, a wheel assembly might be identified by reference number 6, the tire by 6:1, the valve by 6:2, and the wheel by 6:3. When you order the assembly identified by reference number 6, you receive all parts identified by reference numbers 6:1, 6:2, and 6:3. However, you may also order any part individually. Reference numbers of this type appear in illustration and in parts lists.

## Reference Numbers Indicating Quantity

In an illustration, if a reference number indicates more than one part, the reference number has the form nX y. The n represents the quantity of the part, the X is the multiplication symbol, and the y represents the reference number.

For example, in an illustration, the reference number 2X 37 means that two of the parts identified by reference number 37 are indicated.

# List of Abbreviations

<b>AR:</b> as required	<b>HJ:</b> hex jam	<b>PTH:</b> phillips truss head
<b>ASM:</b> assembly	<b>HLH:</b> hex lag head	<b>PTO:</b> power-take-off
<b>BBC:</b> blade brake control	<b>HOC:</b> height-of-cut	<b>RH:</b> right hand
<b>BHTF:</b> button head thread forming	<b>HSBH:</b> hex socket button head	<b>ROPS:</b> roll-over protection system
<b>CARR:</b> carriage	<b>HSFH:</b> hex socket flat head	<b>RRB:</b> rear roller brush
<b>CCW:</b> counter clockwise	<b>HSH:</b> hex socket head	<b>SFH:</b> slotted fillister head
<b>CW:</b> clockwise	<b>HWH:</b> hex washer head	<b>SHH:</b> slotted hex head
<b>DEG:</b> degrees	<b>HWHTF:</b> hex washer head thread forming	<b>SHWH:</b> slotted hex washer head
<b>DPA:</b> Dual Point Adjustment	<b>HYD:</b> hydraulic	<b>SPH:</b> slotted pan head
<b>ECM:</b> electronic control module	<b>LH:</b> left hand	<b>SQH:</b> square head
<b>EXT:</b> external	<b>LPG:</b> Liquid Propane Gas	<b>SRH:</b> slotted round head
<b>FH:</b> flat head	<b>NI:</b> nylon insert	<b>STD:</b> standard
<b>GA:</b> gauge	<b>NPTF:</b> national pipe thread fine	<b>TAP:</b> self tapping
<b>HD:</b> heavy-duty	<b>PFH:</b> phillips flat head	<b>TTH:</b> torx truss head
<b>HF:</b> hex flange	<b>PPH:</b> phillips pan head	
<b>HH:</b> hex head	<b>PPHTF:</b> phillips pan head thread forming	
<b>HHF:</b> hex head flange	<b>PRH:</b> phillips round head	
<b>HHFTF:</b> hex head flange thread forming		

# Touch Up Paint

Exmark black touch up spray paint – gloss black.

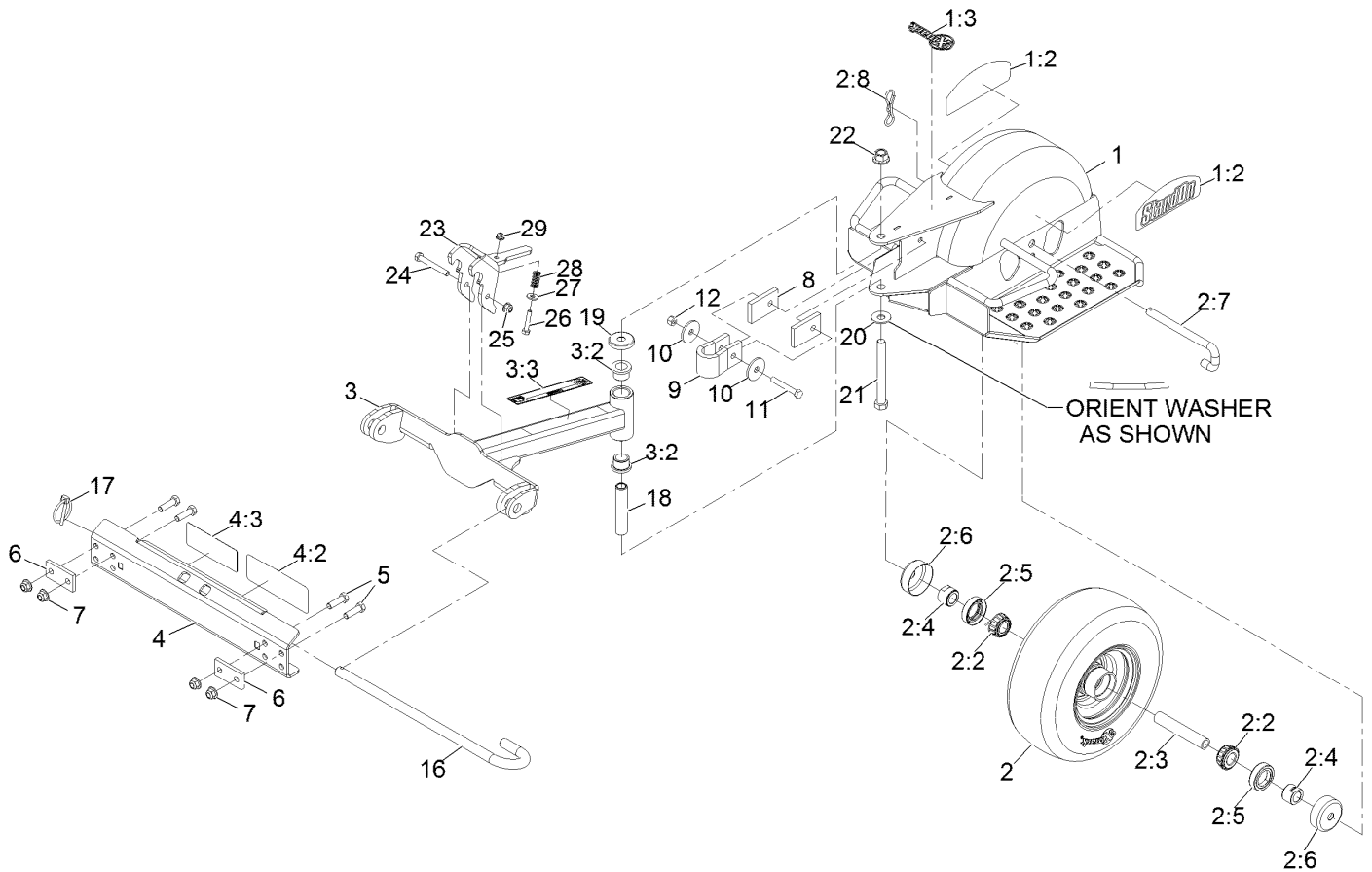
Exmark red touch up paint (spray paint – P/N 1-850337 - .6 oz liquid bottle – P/N 103-9140).



If your Exmark dealer does not have the Exmark part in stock, Exmark will get the parts to the dealer the next business day or the part will be FREE Guaranteed!! (Some restrictions apply. See your participating Exmark Dealer for details.)

# Contents

StandOn Assembly ..... 4



## StandOn Assembly

Ref.	Part Number	Qty.	Description
1	116-7227	1	ASM, Sulky Frame W/ Decals
1:2	109-1117	2	Decal,Standon
1:3	103-8845	1	Decal-Exmark
2	116-7228	1	ASM, Wheel And Bearings
2:2	1-633585	2	Bearing-Cone Tapered Roller
2:3	103-3157	1	Axle-Caster
2:4	103-3051	2	Spacer-Nut
2:5	103-0063	2	Seal-Double Lip
2:6	103-2768	2	Guard-Seal
2:7	116-6017	1	Pin, Caster
2:8	116-6392	1	Pin-Cotter, Locking
3	116-7225	1	ASM, Draw Bar W/ Brgs & Decal
3:2	116-6024	2	Bushing, Pivot
3:3	103-9141	1	Decal,Sulky
4	116-7226	1	ASM, Mount Plate W/ Decals
4:2	1-303517	1	Decal,Belt Drive
4:3	1-403143	1	Decal,Sulky Warning
5	323-7	4	Screw-HH 3/8-16 X 1 1/4

Ref.	Part Number	Qty.	Description
6	103-6663	2	Plate,Back-Up (Plated)
7	104-8301	4	Nut-Nyloc 3/8-16 Flg
8	103-6654	2	Pad,Stop
9	103-6652	1	Stop,Rotation
10	1-213069	2	Washer
11	322-11	1	Screw-HH 5/16-18 X 2 1/4
12	3296-29	1	Nut-Nyloc 5/16-18
16	116-6302	1	Pin, Pivot
17	92-1298	1	Pin-Lynch
18	116-6023	1	Spacer, Pivot
19	116-6313	1	Cover, Dust
20	109-9505	1	Washer, Spring Disc 1/2
21	325-38	1	Screw-HH 1/2-13 X 4 3/4
22	99-5107	1	Nut-Lock 1/2-13
23	116-6303	1	Latch, Transport
24	322-12	1	Screw-HH 5/16-18 X 2 1/2
25	104-8300	1	Nut-Nyloc 5/16-18 Flg
26	321-13	1	Screw-HH 1/4-20 X 1 3/8
27	3256-2	1	Washer-1/4 Std
28	116-6523	1	Spring, Compression
29	104-7201	1	Nut-Nyloc 1/4-20 Flg

**Notes:**

**Notes:**

**Notes:**

## EXMARK ACCESSORIES AND OPTIONS\*

### MID-MOUNT RIDING ACCESSORIES AND OPTIONS

CUSTOM RIDE SEAT SUSPENSION SYSTEM	OPERATOR CONTROLLED DISCHARGE
FULL SUSPENSION SEAT	SUN SHADE
DECK LIFT ASSIST KIT	TRASH CONTAINER
HITCH KIT	TURF STRIPER
LIGHT KIT	ULTRA VAC COLLECTION SYSTEM
12V POWER PORT	ULTRA VAC QUICK DISPOSAL SYSTEM
MICRO-MULCH SYSTEM	

### OUT-FRONT RIDING ACCESSORIES AND OPTIONS

CUSTOM RIDE SEAT SUSPENSION SYSTEM	SNOW BLADE
DUAL-TAIL WHEEL	SNOWBLOWER
FLOOR PAN EXTENDER	SUN SHADE
HITCH KIT	TRASH CONTAINER
LIGHT KIT	ULTRA VAC COLLECTION SYSTEM
MICRO-MULCH SYSTEM	ULTRA VAC QUICK DISPOSAL SYSTEM
ROLL OVER PROTECTION SYSTEM (ROPS)	WEATHER CAB

### WALK-BEHIND ACCESSORIES AND OPTIONS

GRASS CATCHER	TURF STRIPER
MICRO-MULCH SYSTEM	STANDON

\*Some accessories and options not available for some models.

Place Model No. and Serial No.  
Label Here (Included in the Literature  
Pack) or Fill in Below

Model No. \_\_\_\_\_

Serial No. \_\_\_\_\_

Date Purchased \_\_\_\_\_

Engine Model No. and Spec. No. \_\_\_\_\_

Engine Serial No. (E/No) \_\_\_\_\_

© 2012 Exmark Mfg. Co., Inc.  
Industrial Park Box 808  
Beatrice, NE 68310  
All Rights Reserved

Part No. 4501-190 Rev. A  
(402) 223-6300  
Fax (402) 223-5489  
Printed in the USA.

