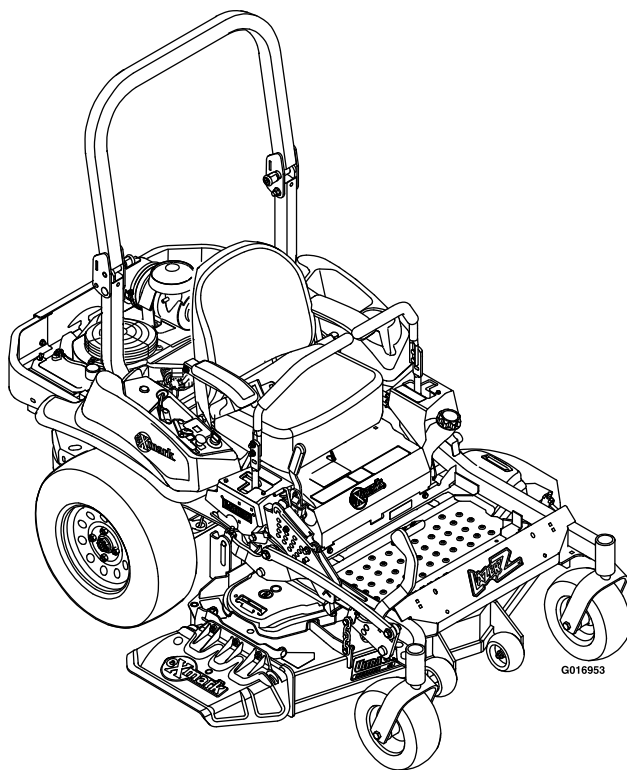




LAZER Z[®] E-SERIES

Model No. LZE740EKC604—Serial No. 31200000 and Up

Picture below may not reflect actual product.



Parts Manual

Ordering Replacement Parts

To order replacement parts, please supply the part number, the quantity, and the description of each part desired.

Understanding Reference Numbers

Each identified part in an illustration has a reference number. The reference number for a part also appears in the parts list, along with other information about the part.

This catalog uses two special reference number formats, one to indicate parts in a service assembly and another to indicate the quantity of a given part in an illustration.

Service Assembly Reference Numbers

Parts in service assemblies have reference numbers in the form a:b. The a represents the reference number of the entire service assembly and the b represents a sequential number unique to each part within the service assembly.

For example, a wheel assembly might be identified by reference number 6, the tire by 6:1, the valve by 6:2, and the wheel by 6:3. When you order the assembly identified by reference number 6, you receive all parts identified by reference numbers 6:1, 6:2, and 6:3. However, you may also order any part individually. Reference numbers of this type appear in illustration and in parts lists.

Reference Numbers Indicating Quantity

In an illustration, if a reference number indicates more than one part, the reference number has the form nX y. The n represents the quantity of the part, the X is the multiplication symbol, and the y represents the reference number.

For example, in an illustration, the reference number 2X 37 means that two of the parts identified by reference number 37 are indicated.

List of Abbreviations

AR: as required	HJ: hex jam	PRH: phillips round head
ASM: assembly	HLH: hex lag head	PTH: phillips truss head
BBC: blade brake control	HOC: height-of-cut	PTO: power-take-off
BHTF: button head thread forming	HSBH: hex socket button head	RH: right hand
CARR: carriage	HSFH: hex socket flat head	ROPS: roll-over protection system
CCW: counter clockwise	HSH: hex socket head	RRB: rear roller brush
CW: clockwise	HWH: hex washer head	SFH: slotted fillister head
DEG: degrees	HWHTF: hex washer head thread forming	SHH: slotted hex head
DPA: Dual Point Adjustment	HYD: hydraulic	SHWH: slotted hex washer head
ECM: electronic control module	LH: left hand	SPH: slotted pan head
EXT: external	LP: Liquefied Petroleum Gas	SQH: square head
FH: flat head	LPG: Liquefied Petroleum Gas	SRH: slotted round head
GA: gauge	NI: nylon insert	STD: standard
HD: heavy-duty	NPTF: national pipe thread fine	TAP: self tapping
HF: hex flange	PFH: phillips flat head	TTH: torx truss head
HH: hex head	PPH: phillips pan head	
HHF: hex head flange	PPHTF: phillips pan head thread forming	
HHFTF: hex head flange thread forming		

Touch Up Paint

Exmark black touch up spray paint – gloss black.

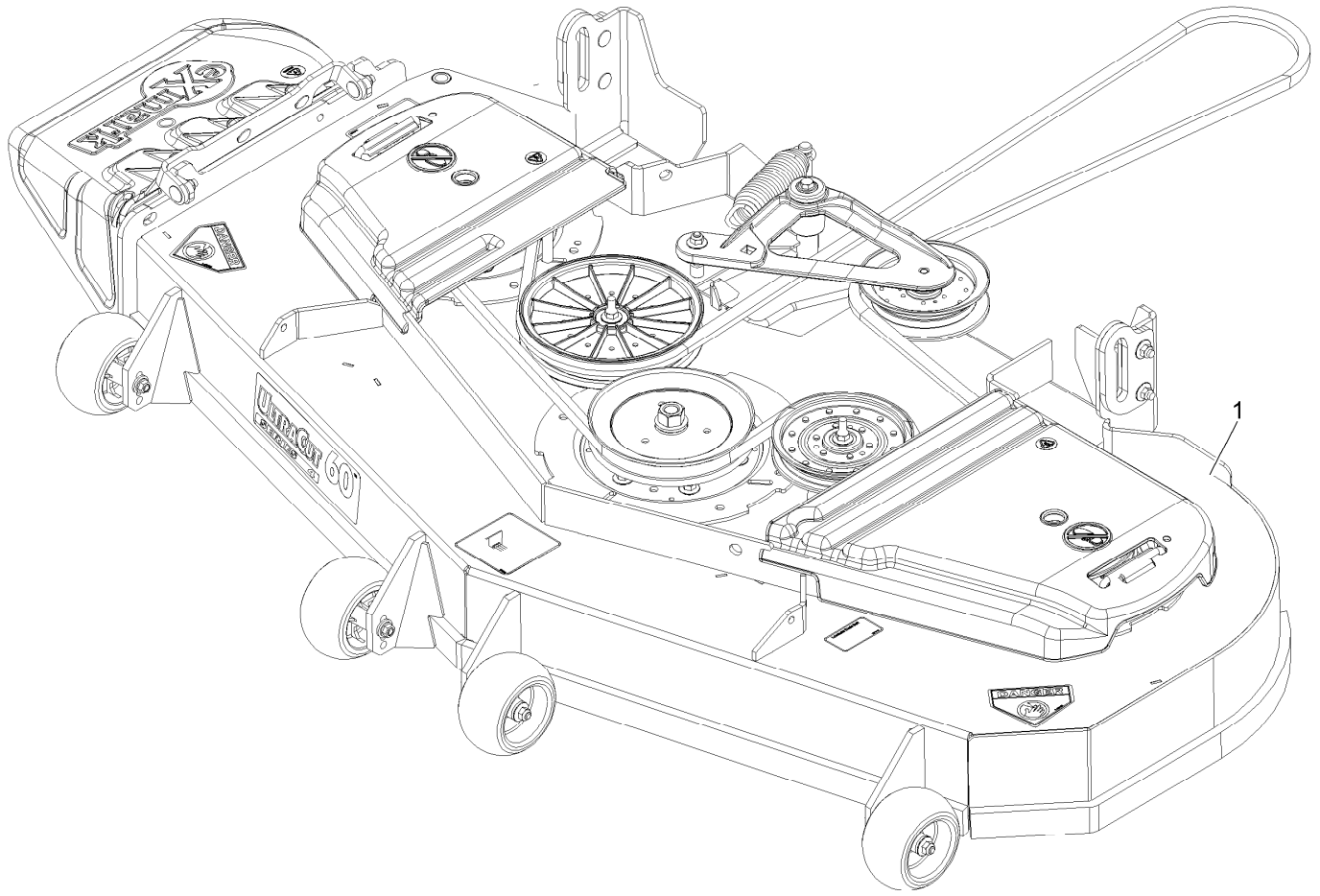
Exmark red touch up paint (spray paint – P/N 1-850337 - .6 oz liquid bottle – P/N 103-9140).



If your Exmark dealer does not have the Exmark part in stock, Exmark will get the parts to the dealer the next business day or the part will be FREE Guaranteed!! (Some restrictions apply. See your participating Exmark Dealer for details.)

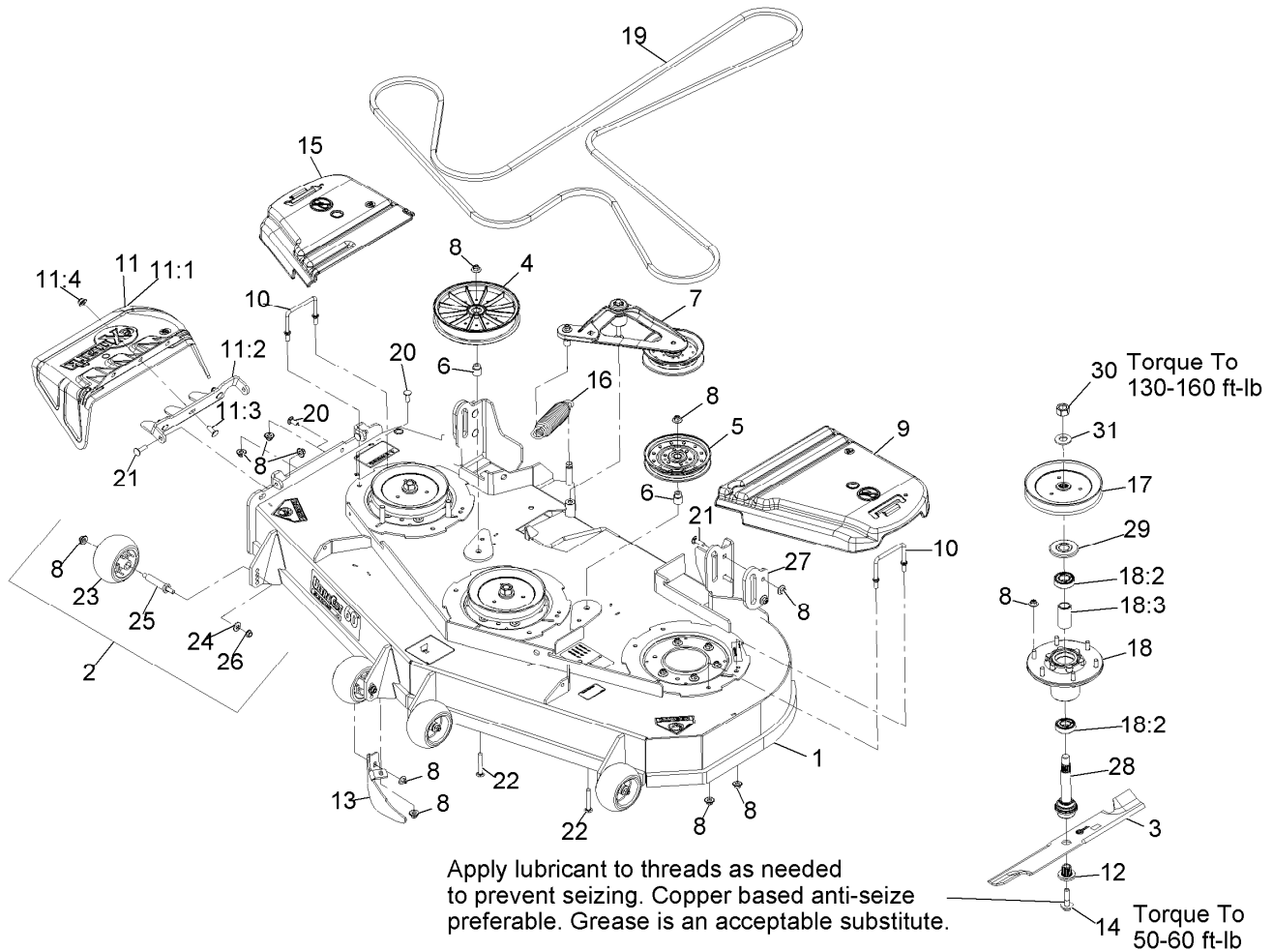
Contents

Complete Deck Assembly.....	4
Deck Assembly.....	5
Deck W/Decals Assembly No. 116-8432.....	6
Deck Idler Assembly No. 116-3755.....	7
Main Frame Assembly.....	8
Roll-Over Protection System Assembly No. 116-2882.....	9
Caster Wheel and Fork Assembly.....	10
Deck Lift Assembly.....	11
Height-of-Cut Assembly No. 109-7438.....	12
Controls Assembly.....	13
Motion Control Assembly.....	14
Rear Wheel and Park Brake Assembly.....	15
Parking Brake Handle Assembly No. 116-7551.....	16
Seat Assembly.....	17
Seat W/Tracks Assembly No. 116-6192.....	18
Fuel Tank Mounting Assembly.....	19
Fuel Tank Assembly No. 116-3978.....	20
Engine Assembly.....	21
Hydraulic Assembly.....	22
LH Hydro Assembly No. 116-6413.....	23
RH Hydro Assembly No. 116-6414.....	24
Pump Idler Assembly No. 116-1255.....	25
Electrical Assembly.....	26



Complete Deck Assembly

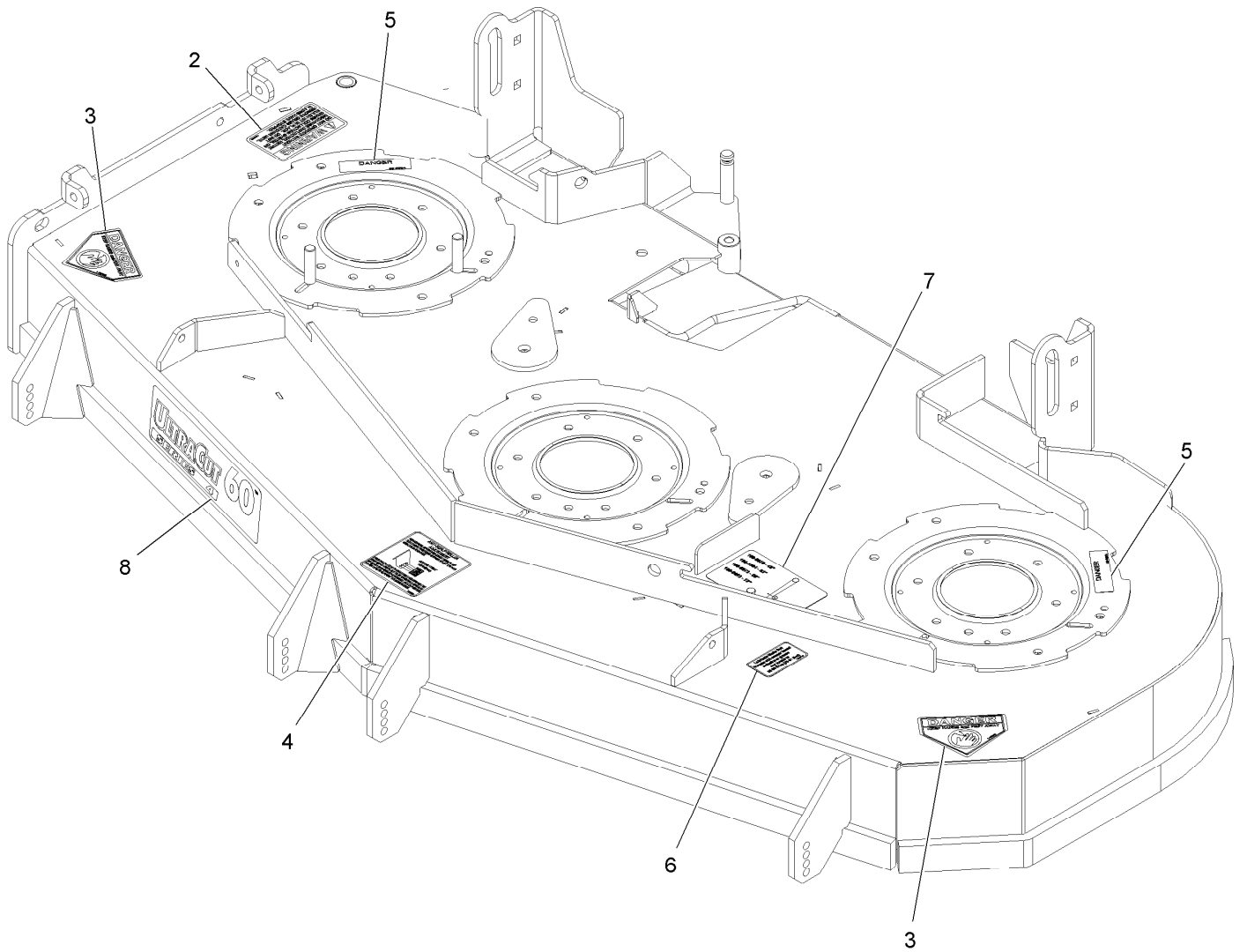
<i>Ref.</i>	<i>Part Number</i>	<i>Qty.</i>	<i>Description</i>
1	116-7950	1	ASM-Deck Complete 604



Deck Assembly

Ref.	Part Number	Qty.	Description	Ref.	Part Number	Qty.	Description
1	116-8432	1	Deck ASM, W/Decals 604	13	116-5614-01	1	Dogleg - Lz60
2	103-4051	4	Kit,Anti-Scalp Roller	14	109-9220	3	Screw-Sems 1/2-20 X 2.19
3	103-6383	3	Blade, Solid 20.5 (.94 Hole)	15	116-0094	1	Cover-Belt, RH
3	103-6388	3	Blade- Low Lift 20.5 (.94 Hole)	16	116-6317	1	Spring-Extension
3	103-6393	3	Blade, Mulch 20.5 (.94 Hole)	17	116-0676	3	Sheave,Blade Drive 7.25
3	103-6403	3	Blade, Notched 20.5 (.94 Hole)	18	116-3344	3	ASM-Cutter Hsg With Bearings
3	116-5174	3	Blade-Extreme 2, 20.50"	18:2	116-0720	2	Bearing-Ball
4	109-0996	1	Pulley,Idler 8"flat	18:3	116-3312	1	Spacer-Bearing
5	116-4667	1	Idler-Pulley, Flat	19	109-8073	1	Belt,V-5V-198.75
6	1-633456	2	Bushing,Idler	20	3231-22	2	Bolt-Carriage 3/8-16 X 1
7	116-3755	1	Deck Idler ASM	21	3231-28	6	Bolt-Carriage 3/8-16 X 1 1/4
8	109-6658	36	Nut-Nyloc 3/8-16 Flg	22	3231-44	2	Bolt-Carriage 3/8-16 X 2 1/2
9	109-6938	1	Cover-Belt, LH	23	1-603299	4	Roller-Scalp, Anti
10	109-6982	2	Wireform-Cover	24	98-5975	4	Washer-Spring Disc 3/8
11	109-7188	1	ASM,Discharge Chute	25	99-2842	4	Spacer
11:1	109-2738	1	Chute,Discharge	26	3290-357	4	Nut-Whizlock 3/8-16
11:2	109-8675-01	1	Bracket,Discharge Chute	27	116-8530-01	2	Plate-Reinf, Push Tower
11:3	3231-22	3	Bolt-Carriage 3/8-16 X 1	28	116-3341	3	ASM-Spindle And Seal
11:4	109-6658	3	Nut-Nyloc 3/8-16 Flg	29	116-1286	3	Guard,Bearing Top .989
12	103-3037	3	Bushing,Splined	30	116-7306	3	Nut-Hex
				31	103-2802	3	Washer-Spring Disc 3/4

● Requires installation of mulch kit for proper mulching. See your Exmark dealer for details.



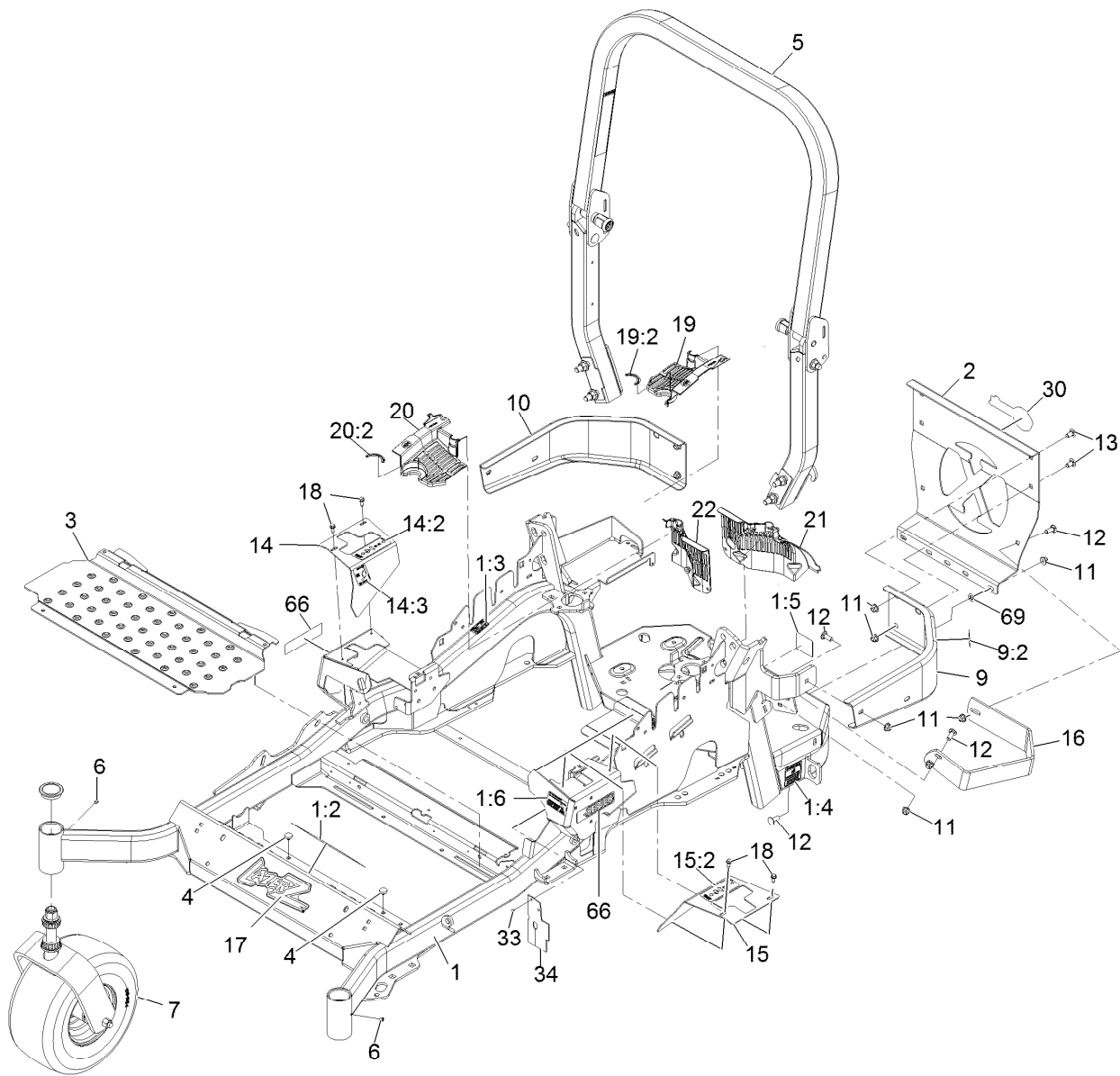
Deck W/Decals Assembly No. 116-8432

<i>Ref.</i>	<i>Part Number</i>	<i>Qty.</i>	<i>Description</i>
2	1-303508	1	Decal-Warning, Discharge
3	1-403005	2	Decal-Danger
4	1-633922	1	Decal, Antiscalp
5	98-5954	2	Decal-Cover, Missing
6	109-3148	1	Decal, Bolt Torque
7	109-9361	1	Decal, Belt Routing
8	116-0025	1	Decal, Ultracut 60 Series 4



Deck Idler Assembly No. 116-3755

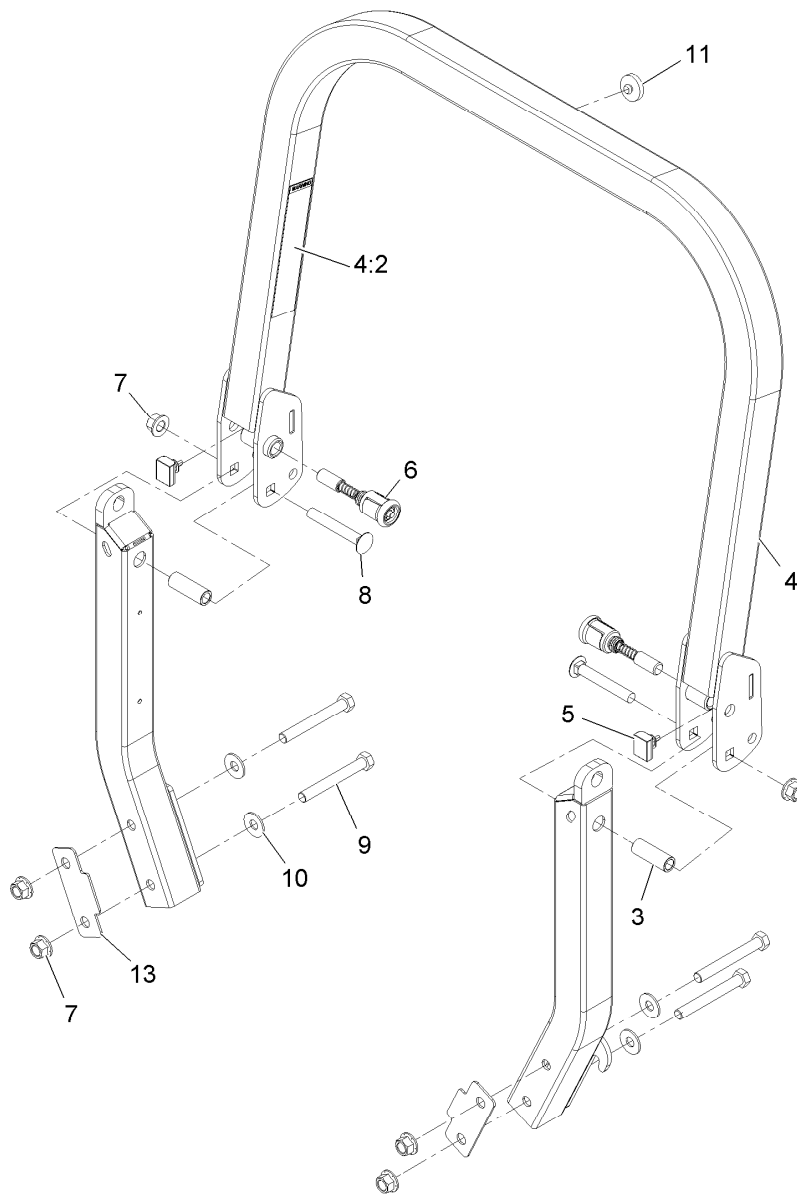
<i>Ref.</i>	<i>Part Number</i>	<i>Qty.</i>	<i>Description</i>
1	43-0940	1	Spacer
2	103-2916	1	Guard-Top
3	103-3504	2	Bearing-Spherical
4	103-3505	1	Seal-Double Lip
5	103-3506	1	Seal-Single Lip
6	116-4668	1	Idler-Pulley, Flanged
7	106-7159	2	O-Ring
9	116-3467	1	Pin-Spring, Anchor
10	109-6658	2	Nut-Nyloc 3/8-16 Flg
11	109-7409	1	Screw-Shoulder 3/8-16 X 5
12	323-8	1	Screw-HH 3/8-16 X 1 1/2
13	32120-10	2	Ring-Retaining
14	302-19	1	Zerk-1/4-28 Str



Main Frame Assembly

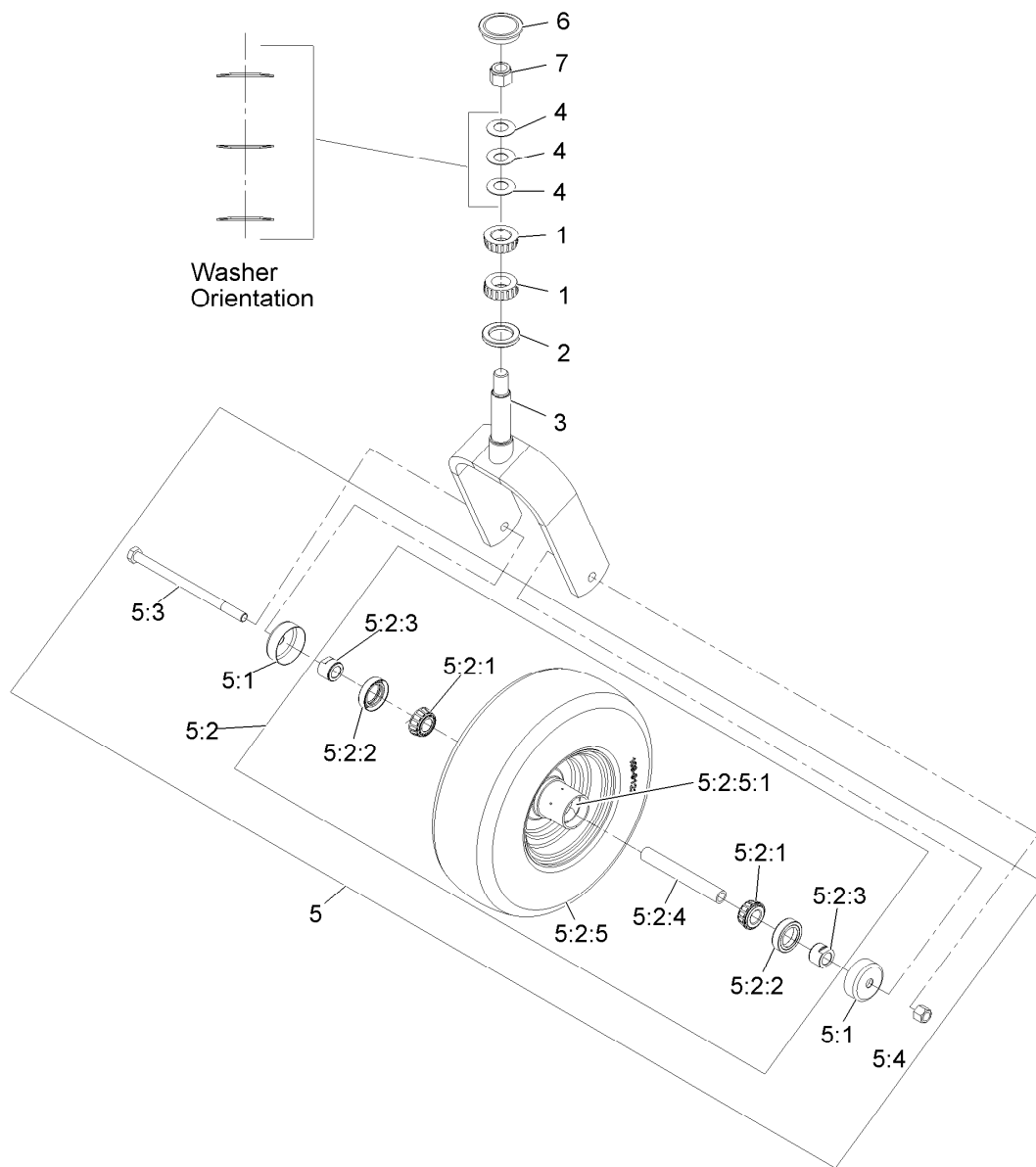
Ref.	Part Number	Qty.	Description	Ref.	Part Number	Qty.	Description
1	116-5902	1	Mainframe ASM	14:2	109-7232	1	Decal-Motion Control
1:2	116-3303	1	Decal-Slope	14:3	116-5944	1	Decal-Park Brake
1:3	103-2076	2	Decal-Caution	15	116-0580	1	LH Motion Control Cover ASM
1:4	116-0205	2	Decal-Belt Drive	15:2	109-7232	1	Decal-Motion Control
1:5	116-4858	1	Decal-Spark Arrester	16	116-0043-03	1	Guard-Muffler
1:6	116-1654	1	Decal-Fuel Fill	17	103-3113	1	Decal,Lazer Model
2	109-8863-03	1	Plate,Rear Guard	18	32144-10	4	Screw-HWH 1/4-20 X .62
3	116-0024-01	1	Floorpan	19	116-0170	1	LH Hydro Guard ASM
4	1-513658	2	Bumper	19:2	116-0157	1	Decal-Hydro Oil
5	116-2882	1	ROPS ASM	20	116-0171	1	RH Hydro Guard ASM
6	1-811010	2	Plug	20:2	116-0157	1	Decal-Hydro Oil
7		2	ASM,Front Caster W/Fork ●	21	109-9057	1	Guard-Hydro, Rear LH
9	116-0180	1	LH Bumper ASM	22	109-9058	1	Guard-Hydro, Rear RH
9:2	103-2076	1	Decal-Caution	30	103-2883	1	Decal
10	116-0057-03	1	Bumper-RH	33	1-803035	2	Rivet 3/16 X 1/4
11	104-8301	11	Nut-Nyloc 3/8-16 Flg	34	116-2362	1	Deflector-Air Flow
12	3231-22	7	Bolt-Carriage 3/8-16 X 1	66	116-3885	2	Decal-E-Series
13	3231-21	4	Bolt-Carriage 3/8-16 X 3/4	69	107-3154	2	Nut-Push 3/8-16
14	116-5899	1	RH Motion Control Cover ASM				

● Not serviced separately



Roll-Over Protection System Assembly No. 116-2882

<i>Ref.</i>	<i>Part Number</i>	<i>Qty.</i>	<i>Description</i>
3	109-6653	2	Spacer
4	116-0019	1	Upper ROPS ASM
4:2	107-2102	1	Decal-Warning, Folding ROPS
5	109-5337	2	Bumper-ROPS
6	116-0104	2	Pin-Spring
7	99-5107	6	Nut-Lock 1/2-13
8	3233-10	2	Bolt-Carriage 1/2-13 X 3 1/2
9	325-17	4	Screw-HH 1/2-13 X 4
10	109-9505	4	Washer-Spring
11	109-9233	1	Bumper-Push-In, Rubber
13	116-0960	2	Spacer

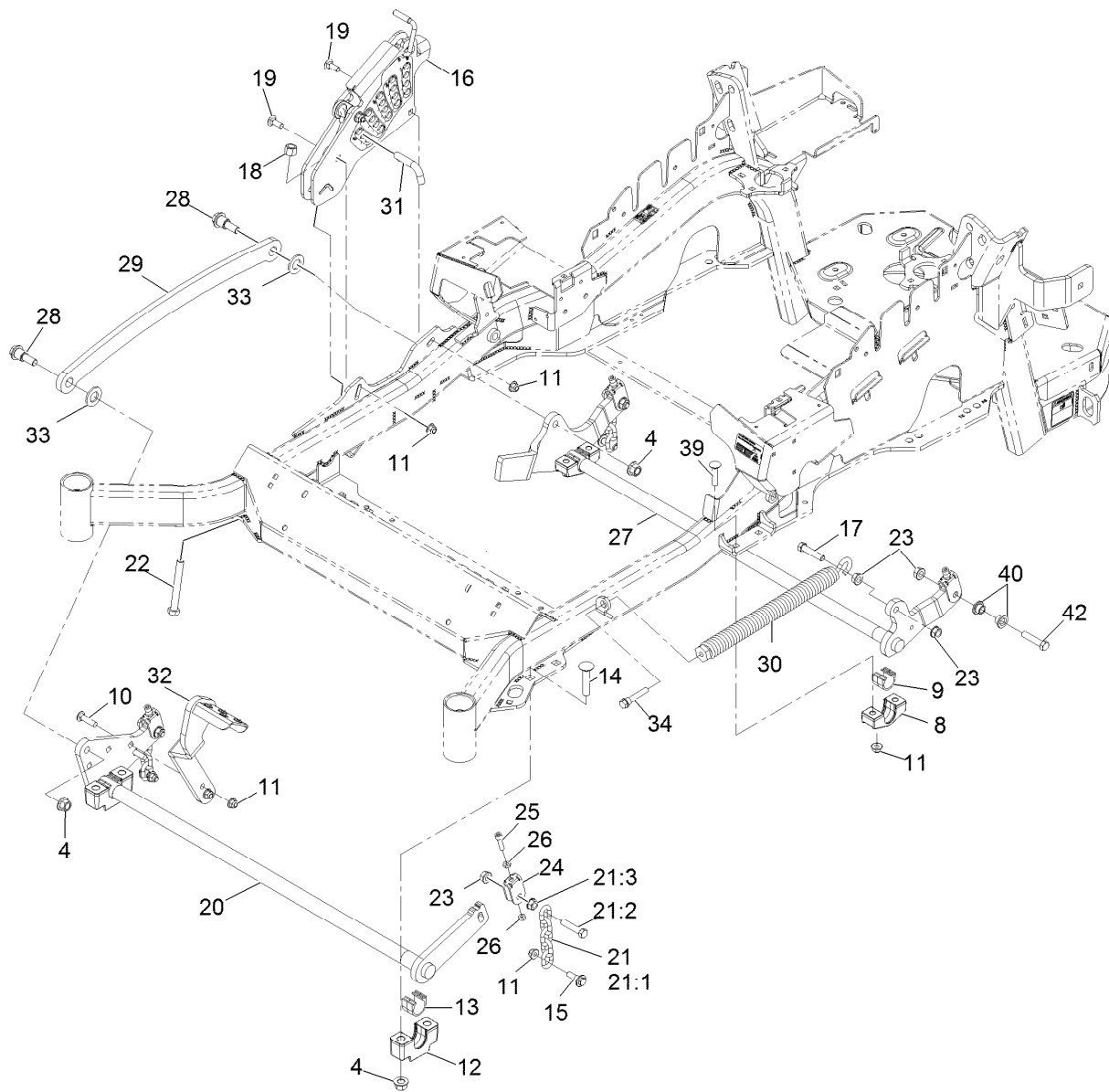


Caster Wheel and Fork Assembly

Ref.	Part Number	Qty.	Description	Ref.	Part Number	Qty.	Description
1	1-543509	2	Cone-Bearing Tapered Roller	5:2:2	103-0063	2	Seal-Double Lip
2	1-543511	1	Seal-Grease	5:2:3	103-3051	2	Spacer-Nut ■
3	116-1092-01	1	Wld,Caster	5:2:4	103-3155	1	Axle-Caster
4	1-633508	3	Washer-Spring Disc	5:2:5		1	Wheel And Tire ASM ●
5	109-9126	1	Wheel And Tire ASM	5:2:5:1	1-633584	1	Bearing-Cup
5:1	103-2768	2	Guard-Seal	5:3	325-42	1	Screw-HH 1/2-13 X 8
5:2		1	Wheel And Tire ASM ●	5:4	3296-23	1	Nut-Nyloc 1/2-13
5:2:1	1-633585	2	Bearing-Cone Tapered Roller	6	103-4882	1	Cap-Grease
				7	3296-51	1	Nut-Nyloc 3/4-10

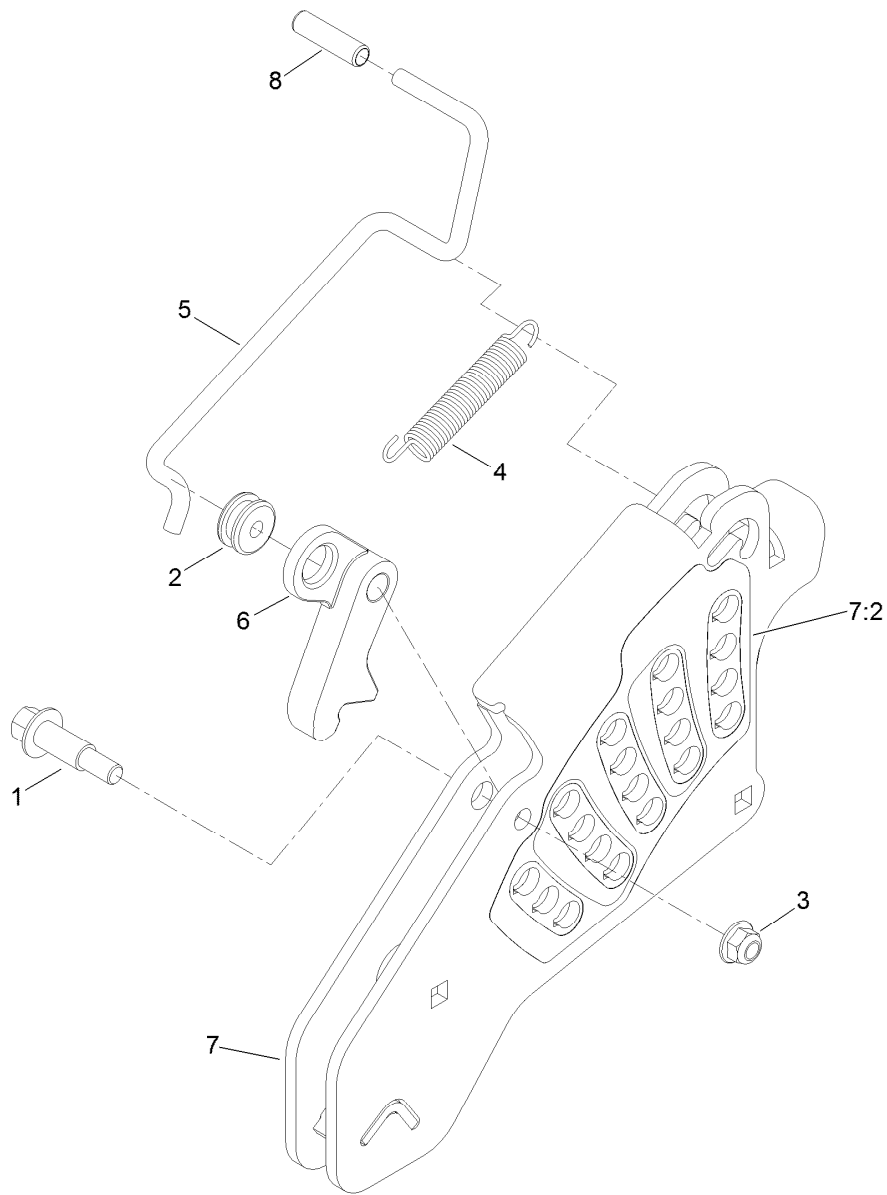
● Not serviced separately

■ Use Pro-Lock, Nut Type (P/N 1-840022, .5ml tube) on threads.



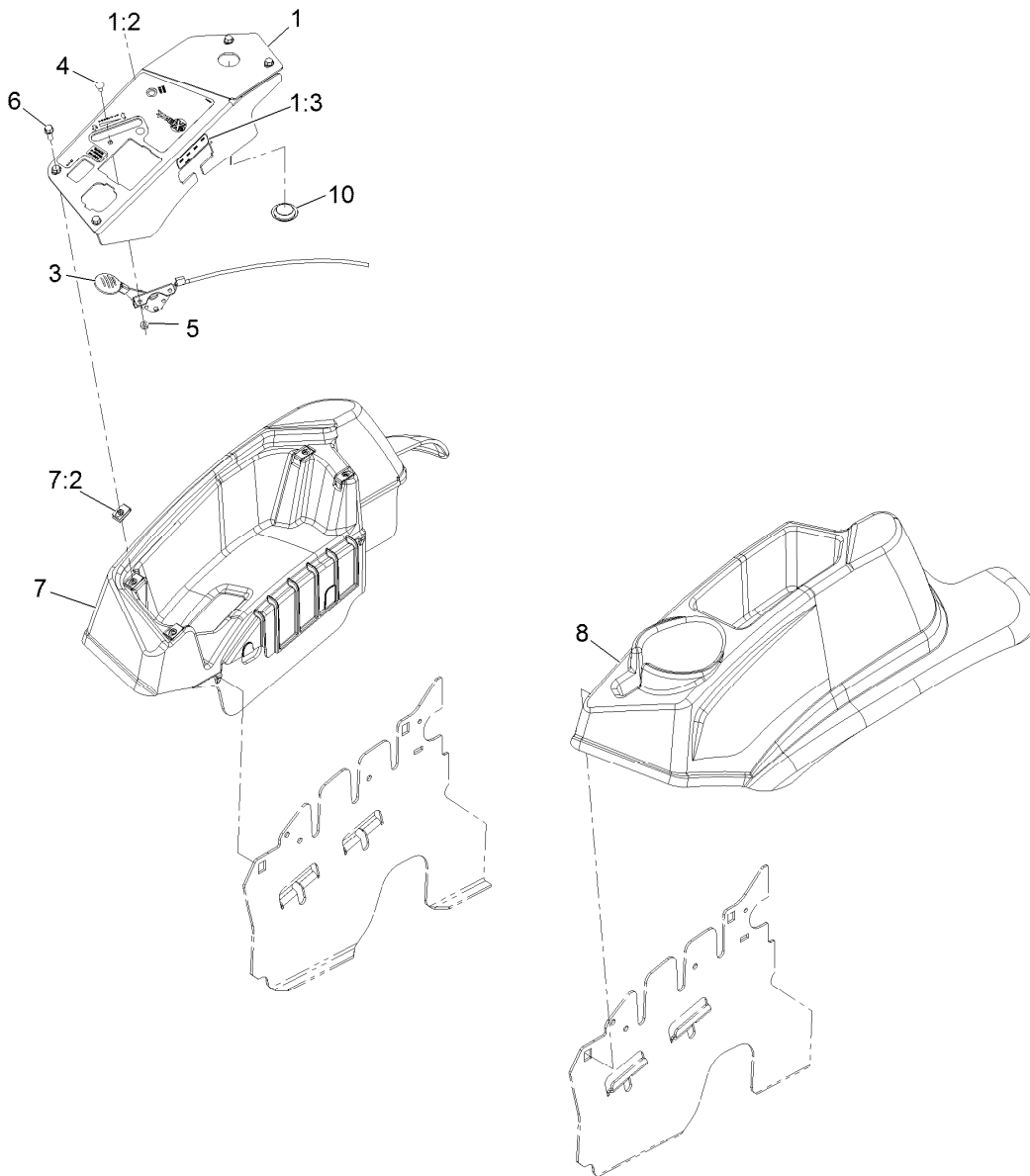
Deck Lift Assembly

Ref.	Part Number	Qty.	Description	Ref.	Part Number	Qty.	Description
4	99-5107	6	Nut-Lock	21:2	109-9065	1	Screw-HH
8	116-0818-03	2	Support-Cross Shaft, Rear Bearing	21:3	32128-37	1	Nut-HF
9	109-7173	2	Bearing-Cross Shaft, Rear	22	116-0559	1	Bolt-TAP
10	3231-4	2	Screw-CARR	23	32128-37	6	Nut-HF
11	104-8301	10	Nut-Flange, NI	24	109-9066	4	Yoke-Adjust, Deck
12	109-9409	2	Support-Cross Shaft, Front Bearing	25	3274-18	4	Screw-HSH
13	109-9410	2	Bearing-Cross Shaft, Front	26	3218-2	8	Nut-Jam
14	116-1700	4	Bolt-CARR	27	116-0459-03	1	Lift-Deck, Rear
15	109-9840	2	Screw-Shoulder, HHF	28	116-0780	2	Screw-HHF, Shoulder
16	116-1970	1	Height-Of-Cut ASM	29	116-0797-03	1	Link-Lift, Deck
17	109-9065	1	Screw-HH	30	116-0886	1	Extension Spring ASM
18	3296-23	1	Nut-Lock, NI	31	116-5584	1	Pin-HOC
19	3231-2	2	Bolt-CARR	32	116-3452-01	1	Foot Lever
20	116-2217-03	1	Cross Shaft-Front	33	3256-28	2	Washer-Flat
21	116-0756	2	Deck Lift Chain ASM	34	92-7674	1	Bolt-Shoulder
21:1	1-633447	1	Chain-Lift, Deck	39	3231-5	4	Screw-CARR
				40	116-2428	4	Bushing-Flanged
				42	324-10	2	Screw-HH



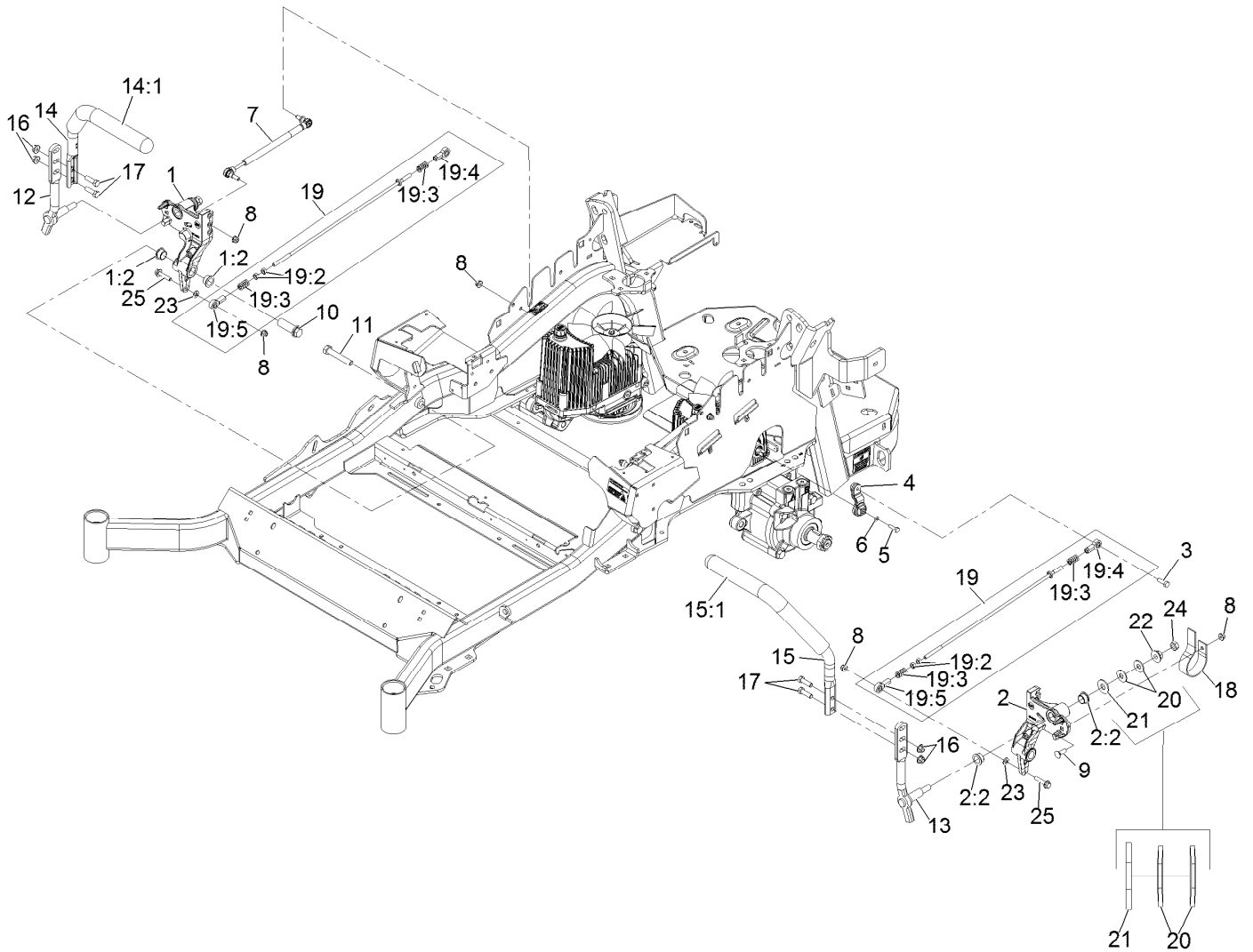
Height-of-Cut Assembly No. 109-7438

<i>Ref.</i>	<i>Part Number</i>	<i>Qty.</i>	<i>Description</i>
1	62-1330	1	Bolt-Shoulder
2	109-7130	1	Grommet
3	104-8301	1	Nut-Flange, NI
4	109-7124	1	Spring-Extension
5	109-7128	1	Rod-Lock, Transport
6	116-0118	1	Pawl-Transport, HOC
7	109-7335	1	HOC Plate ASM
7:2	116-0752	1	Decal-HOC
8	109-8250	1	Grip-Lever



Controls Assembly

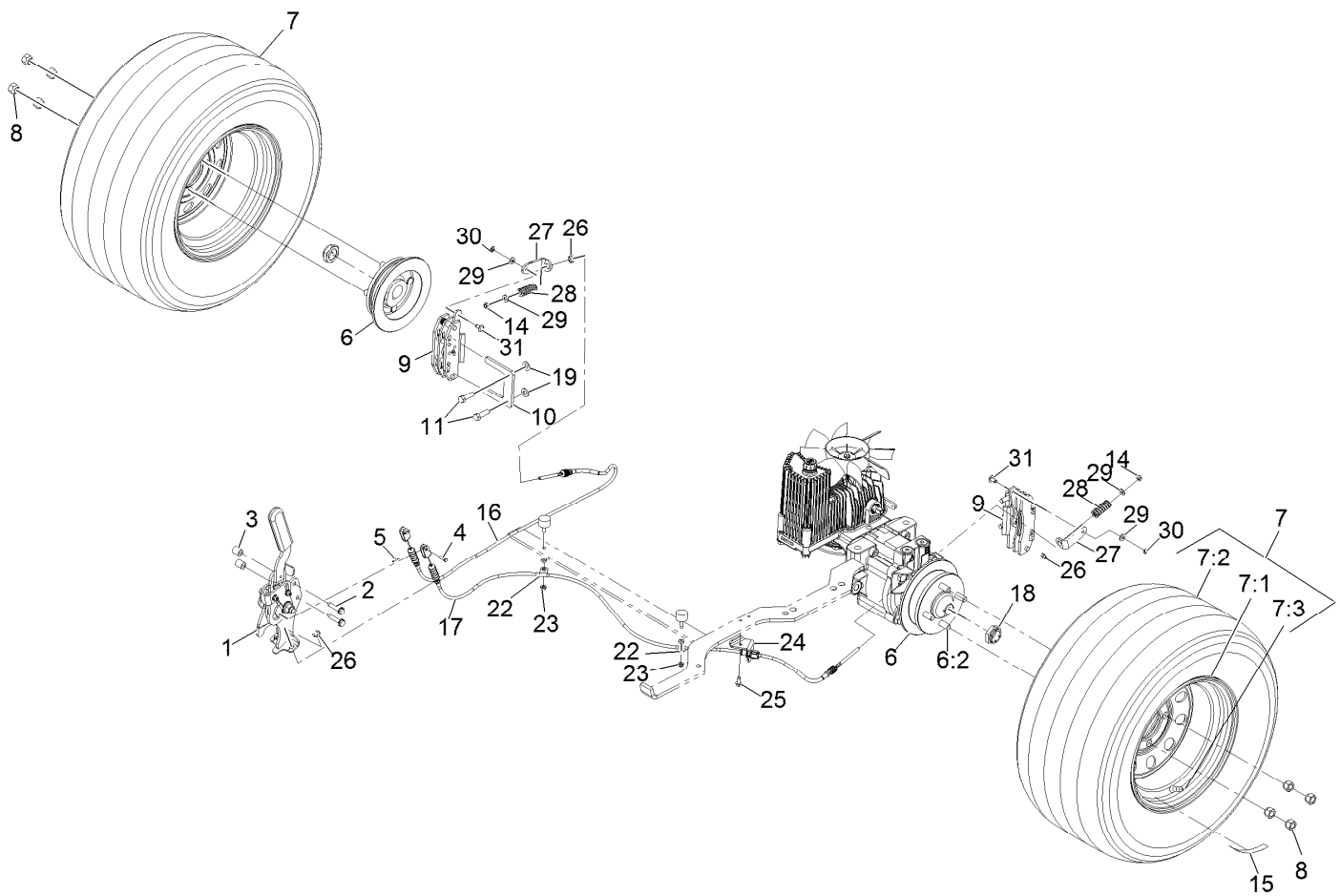
Ref.	Part Number	Qty.	Description
1	116-2845	1	ASM,Control Panel W/Decal
1:2	116-2844	1	Decal,Control Panel Efi
1:3	109-7330	1	Decal-Fuse
3	116-0969	1	ASM,Throttle Cable
4	1-807513	2	Bolt-Carriage #10-24 X 1/2
5	3296-2	2	Nut-Nyloc #10-24
6	32105-15	4	Screw-Machine 1/4-20 X 3/4
7	116-1278	1	Console,RH As ASM
7:2	107069	4	Nut-Retainer-Panel 1/4-20
8	109-9457	1	Console, LH As
10	116-1875	1	Plug,Plastic



Motion Control Assembly

Ref.	Part Number	Qty.	Description	Ref.	Part Number	Qty.	Description
1	116-0880	1	RH Motion Control And Bushing ASM	14:1	109-5668	1	Grip-Control, Lever
1:2	109-8054	4	Bushing-Flanged	15	109-6590	1	LH Steering Handle ASM
2	116-0881	1	LH Motion Control And Bushing ASM	15:1	109-5668	1	Grip-Control, Lever
2:2	109-8054	4	Bushing-Flanged	16	104-8301	4	Nut-Nyloc 3/8-16 Flg
3	116-0648	2	Screw-HH 5/16-18 X 1 W/Patch ●	17	323-7	4	Screw-HH 3/8-16 X 1 1/4
4	109-4581	2	Arm-Control, Pump	18	109-5575	2	Spring-Leaf
5	9080046	2	Screw-HH 1/4-20 X 7/8 ●	19	109-8107	2	Pump Linkage Rear ASM
6	1-303435	2	Washer-Spring Disc 1/4	19:2	3219-2	2	Nut-Hex 5/16-24
7	116-0027	2	Damper-Control, Motion	19:3	1-323245	2	Spring-Compression
8	104-8300	8	Nut-Nyloc 5/16-18 Flg	19:4	1-633152	1	Balljoint
9	3230-2	2	Bolt-Carriage 5/16-18 X 1	19:5	1-543017	1	Balljoint
10	109-5891	2	Hub-Threaded	20	109-9505	4	Washer, Spring Disc 1/2
11	325-12	2	Screw-HH 1/2-13 X 3	21	3256-6	2	Washer
12	116-0039	1	Lever-Control Motion, RH	22	32128-56	2	Nut-Hex 1/2-13 Flange
13	116-0040	1	Lever-Control Motion, LH	23	3256-23	2	Washer-5/16 Sae
14	109-6589	1	RH Steering Handle ASM	24	3218-5	2	Nut-Jam 1/2-13
				25	115-1794	2	Screw-Hex Flange 5/16-18 X 1 1/2

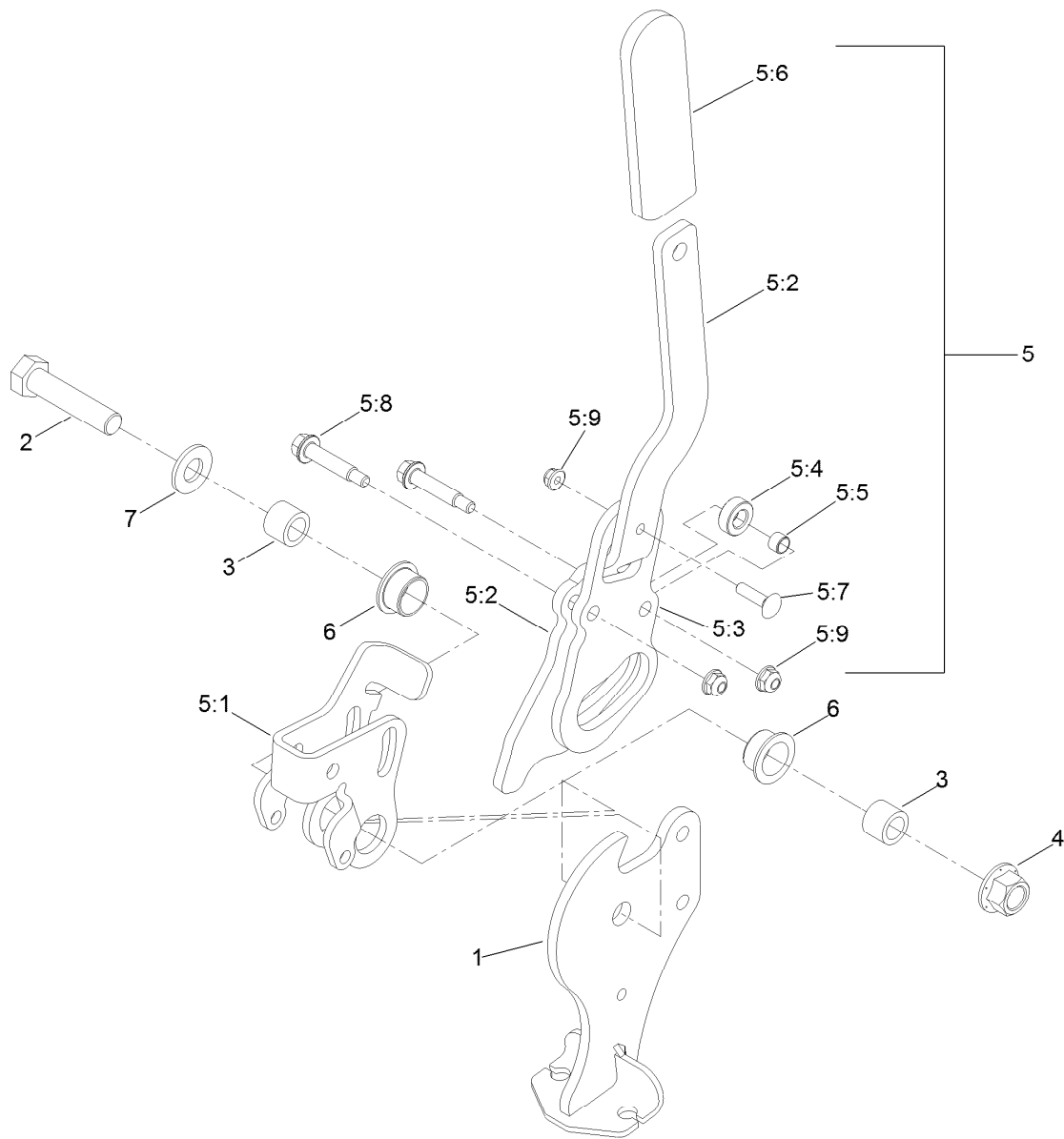
● Use Pro-Lock, Nut Type (P/N 1-840022, .5ml tube) on threads.



Rear Wheel and Park Brake Assembly

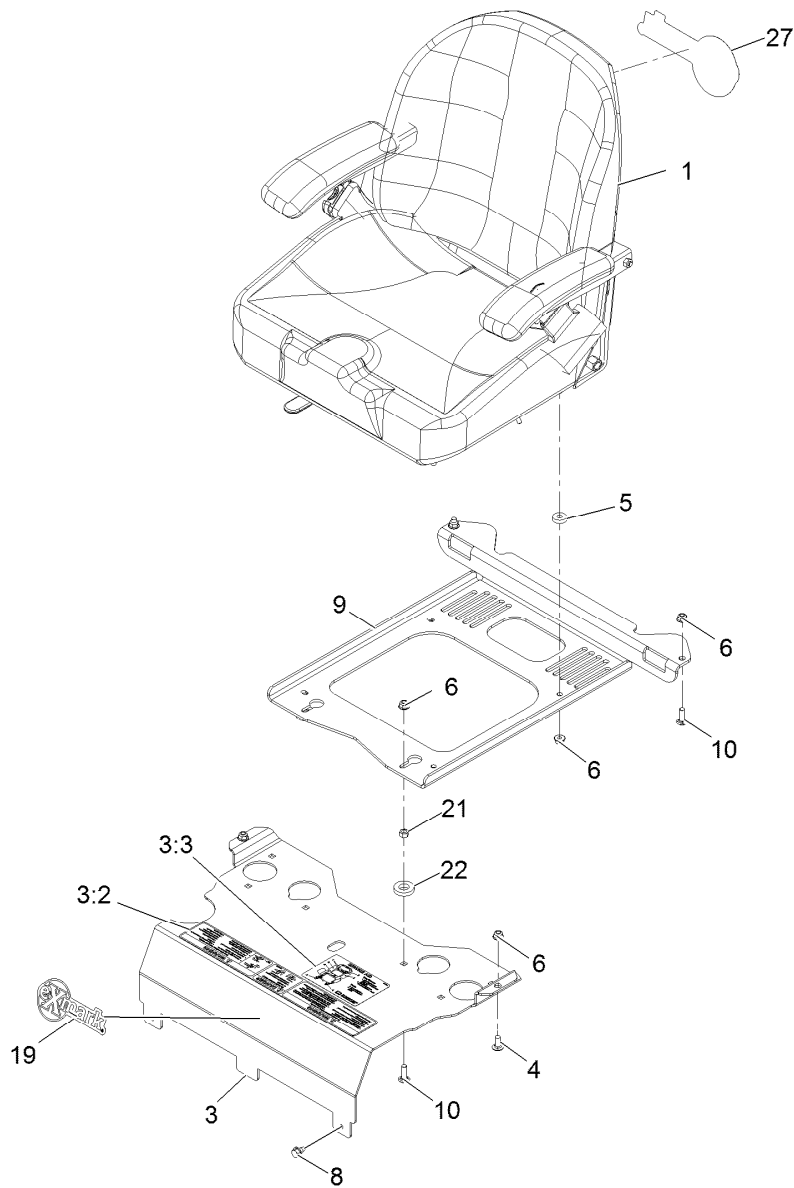
Ref.	Part Number	Qty.	Description	Ref.	Part Number	Qty.	Description
1	116-7551	1	Brake Handle ASM	14	3296-13	2	Nut-Nyloc 1/4-28
2	32144-57	2	Screw	15	116-2643	2	Decal-Wheel Nut Torque
3	82-6840	2	Spacer	16	116-6364	1	Cable-Park Brake, RH
4	60-1730	2	Pin-Clevis	17	116-6365	1	Cable-Park Brake, LH
5	3272-1	2	Pin-Cotter 1/16 X 1/2	18	116-1399	2	Locknut
6	116-1746	2	Wheel Hub ASM	19	3256-24	4	Washer-3/8 Sae
6:2	116-1696	4	Stud-Wheel	22	88-7970	2	Clip
7		2	ASM-Wheel And Tire ●	23	3296-56	2	Nut-Nyloc 1/4-20 Thin
7:1	116-8295	1	ASM-Rim 60	24	116-6397	1	Bracket-Cable
7:2	116-8296	1	Tire-Drive	25	32144-10	1	Screw-HWH 1/4-20 X .62
7:3	232-27	1	Stem-Valve	26	32120-18	4	E-Ring
8	242-50	8	Nut-Lug 1/2-20	27	116-6182	2	Bracket-Brake, L
9	109-2889	2	Caliper-Brake	28	116-6347	2	Spring-Die
10	109-0958	2	Plate-Mount, Brake	29	3256-22	4	Washer-1/4 Sae
11	92-5727	4	Screw-HH 3/8-16 X 1 1/4 Patch Lock	30	32151-86	2	E-Ring
				31	116-6348	2	Pin-Brake

● Not serviced separately



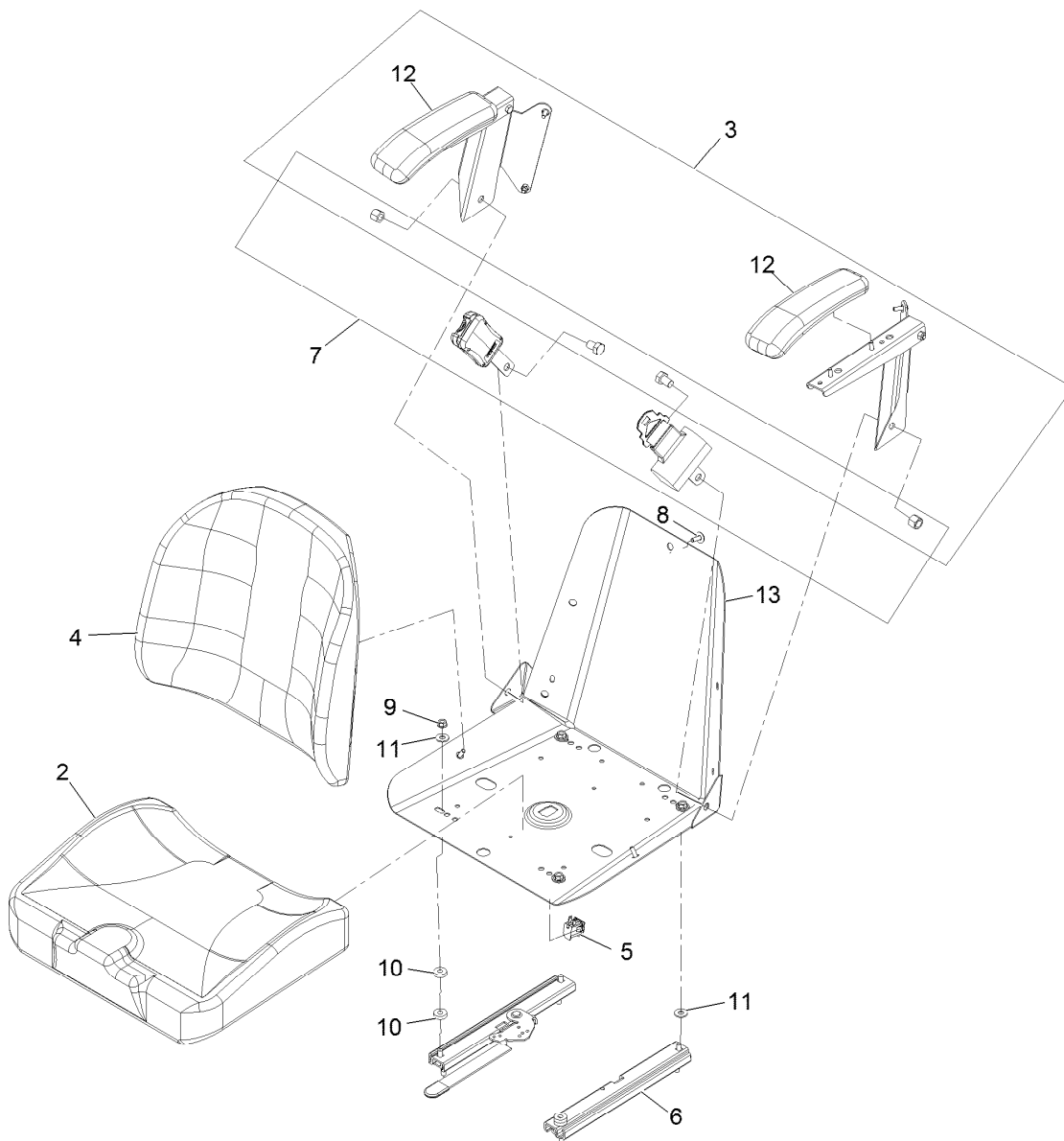
Parking Brake Handle Assembly No. 116-7551

Ref.	Part Number	Qty.	Description	Ref.	Part Number	Qty.	Description
1	116-7263	1	Pivot-Brake	5:4	116-6846	1	Roller-Brake
2	325-9	1	Screw-HH 1/2-13 X 2 1/4	5:5	116-6852	1	Bearing-Sleeve
3	116-5384	2	Spacer	5:6	1-633268	1	Grip-Lever
4	99-5107	1	Nut-Lock 1/2-13	5:7	3229-2	1	Bolt-Carriage 1/4-20 X 1
5	116-6860	1	Handle ASM	5:8	116-6876	2	Screw-Shoulder
5:1	116-6856	1	Bellcrank-Brake	5:9	104-7201	3	Nut-Nyloc 1/4-20 Flg
5:2	116-6857	1	Handle-Brake	6	109-8054	2	Bushing-Flanged
5:3	116-6858	1	Plate-Handle	7	3256-26	1	Washer-1/2 Sae



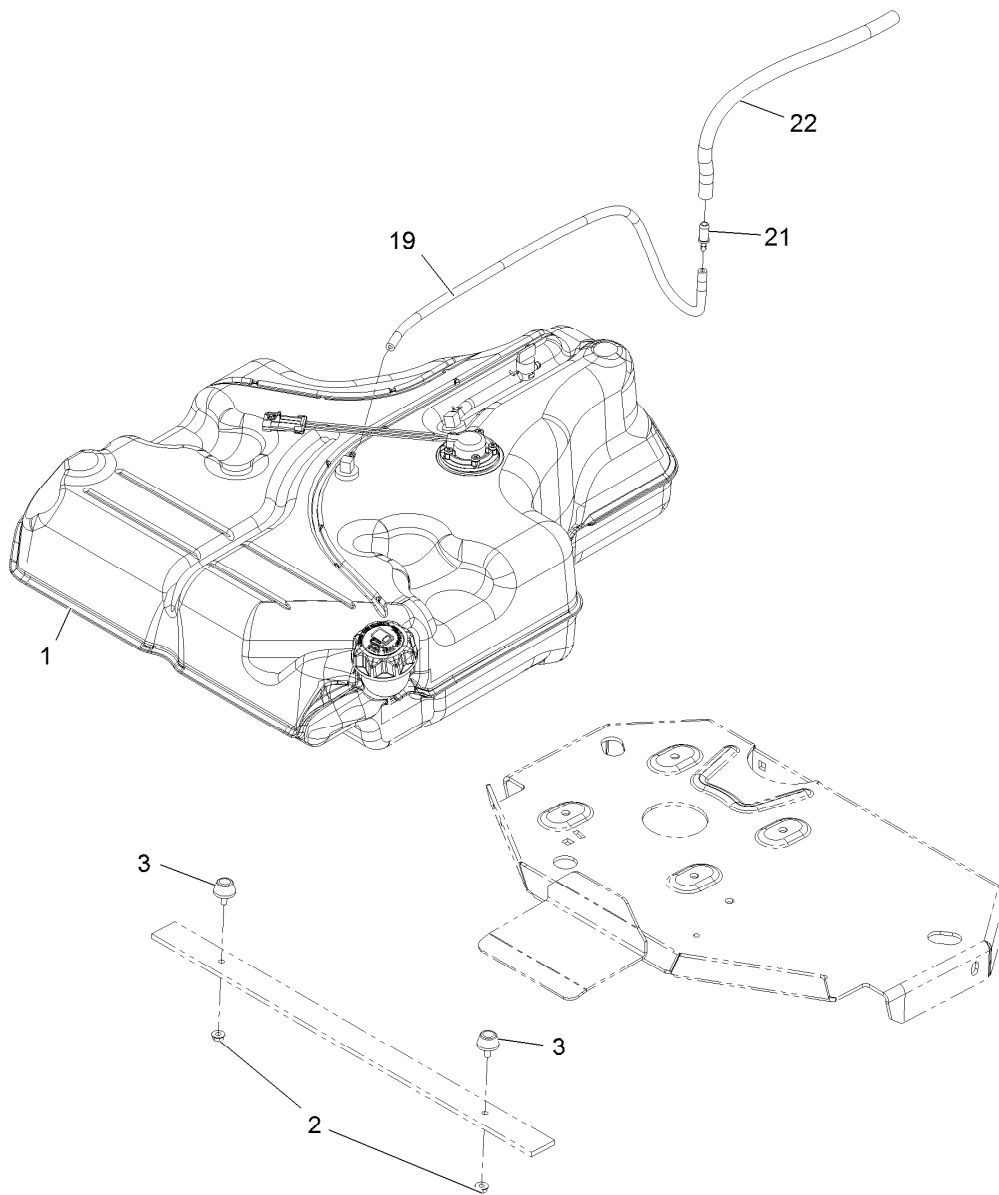
Seat Assembly

Ref.	Part Number	Qty.	Description
1	116-6192	1	ASM-Seat, Lze
3	116-2323	1	Mount-Seat
3:2	109-7069	1	Decal-Console
3:3	116-0211	1	Decal-Service Aid
4	3230-23	2	Bolt-Carriage 5/16-18 X 3/4 Short Neck
5	26-4840	4	Spacer-Pin, Mounting
6	104-8300	10	Nut-Nyloc 5/16-18 Flg
8	9266934	2	Screw-HWH 5/16 X 1/2 Tf
9	116-0192-03	1	Plate-Support, Seat
10	3230-22	4	Bolt-Carriage 5/16-18 X 1 Sp
19	103-2883	1	Decal
21	3217-6	2	Nut-Hex 5/16-18
22	1-323539	2	Spacer-Blade Drive
27	103-2882	1	Decal,Exmark Logo



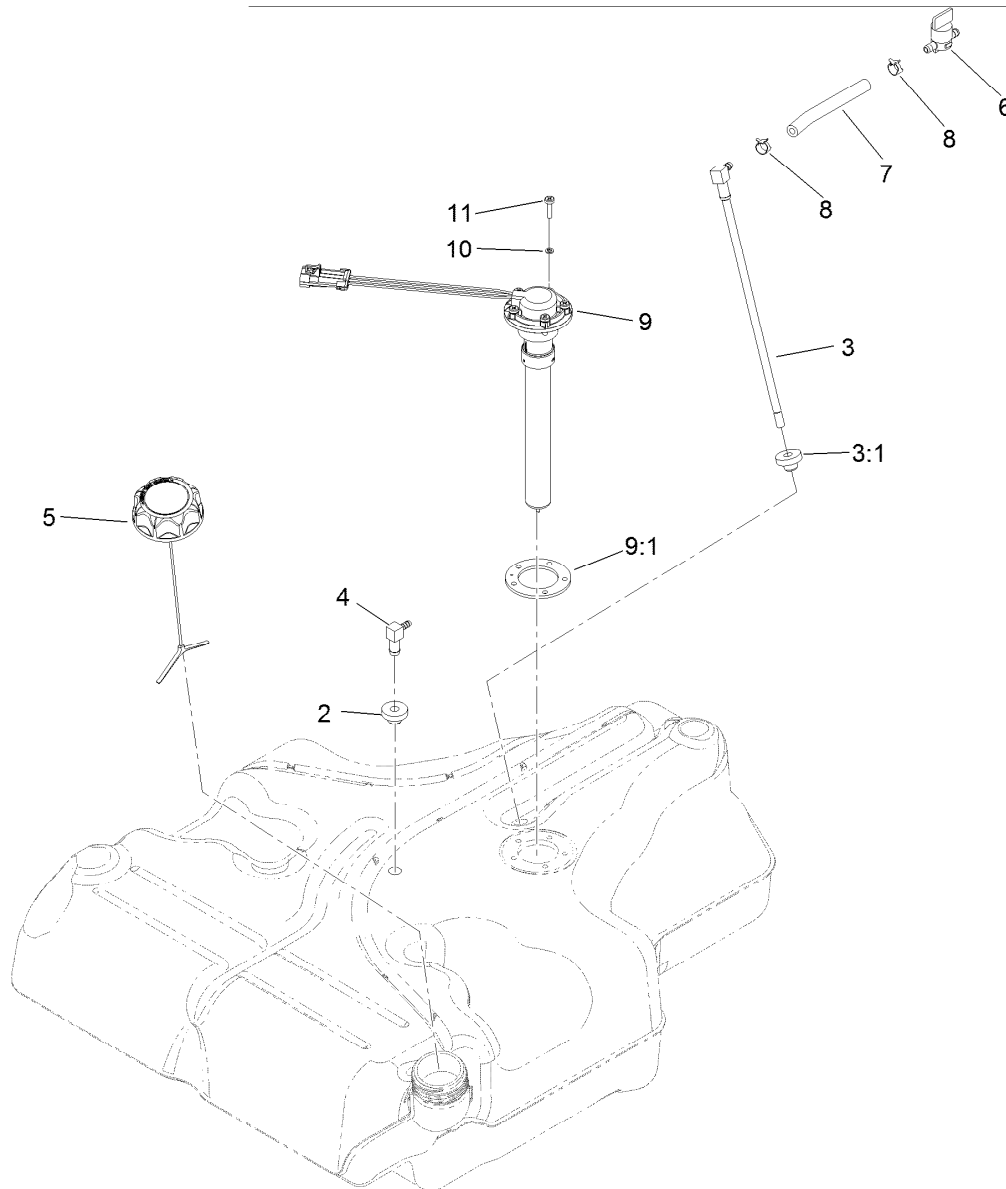
Seat W/Tracks Assembly No. 116-6192

Ref.	Part Number	Qty.	Description
2	116-7329	1	Cushion-Seat Bottom
3	110-5719	1	Armrest Kit
4	116-3738	1	Cushion,Seat Back
5	82-2190	1	Switch
6	1-643255	1	Track-Seat
7	116-2981	1	Seat Belt Kit
8	103-8383	7	Screw-HWH 1/4-20 X 3/4 Taptite
9	32128-20	4	Nut-Whizlock 5/16-18
10	26-4840	4	Spacer-Pin, Mounting
11	3256-3	6	Washer-5/16 Std
12	110-4163	2	Cushion-Rest, Arm
13	116-7496	1	Frame-Seat



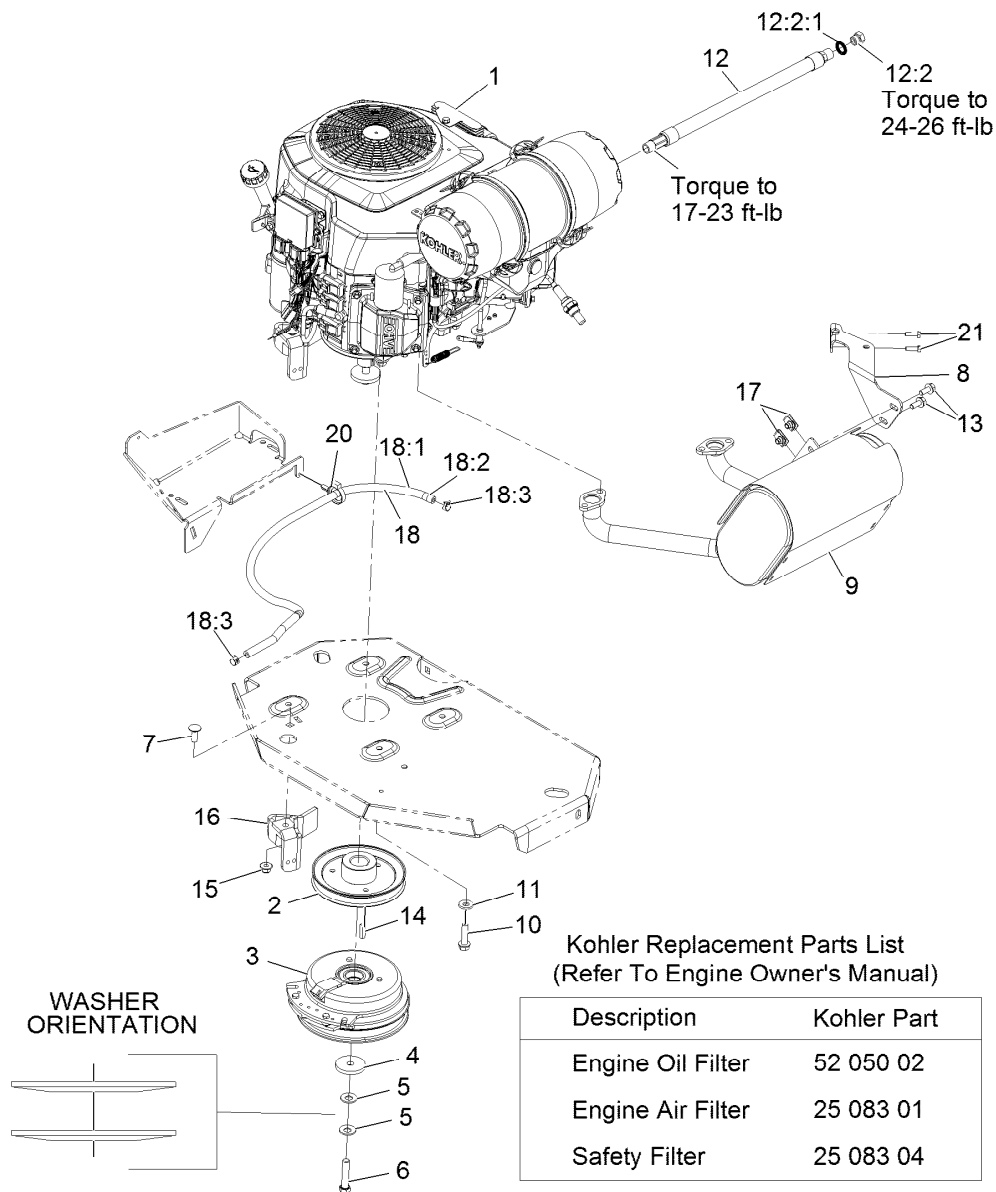
Fuel Tank Mounting Assembly

<i>Ref.</i>	<i>Part Number</i>	<i>Qty.</i>	<i>Description</i>
1	116-3978	1	Fuel Tank ASM
2	3218-1	2	Nut-Jam
3	116-6380	2	Bumper-Rubber (W/ Stud)
19	117-9569	1	Hose-Fuel
21	98-2952	1	Fitting-Straight
22	116-4344	1	Hose-Fuel



Fuel Tank Assembly No. 116-3978

Ref.	Part Number	Qty.	Description
2	46-6560	2	Bushing
3	116-2459	1	Fuel Line Kit (With Grommet)
3:1	46-6560	1	Bushing
4	116-2288	1	Fitting-90 Elbow
5	116-1704	1	Cap-Fuel, Ratcheting
6	1-603770	1	Valve-Fuel
7	109-0650	1	Hose-Fuel
8	2412-98	2	Clamp-Hose
9	116-1981	1	Sender-Fuel
9:1	109-9620	1	Gasket-Sender, Fuel
10	3253-17	5	Washer-Lock 3/16
11	9107944	5	Screw-Pan 10-24 X 3/4



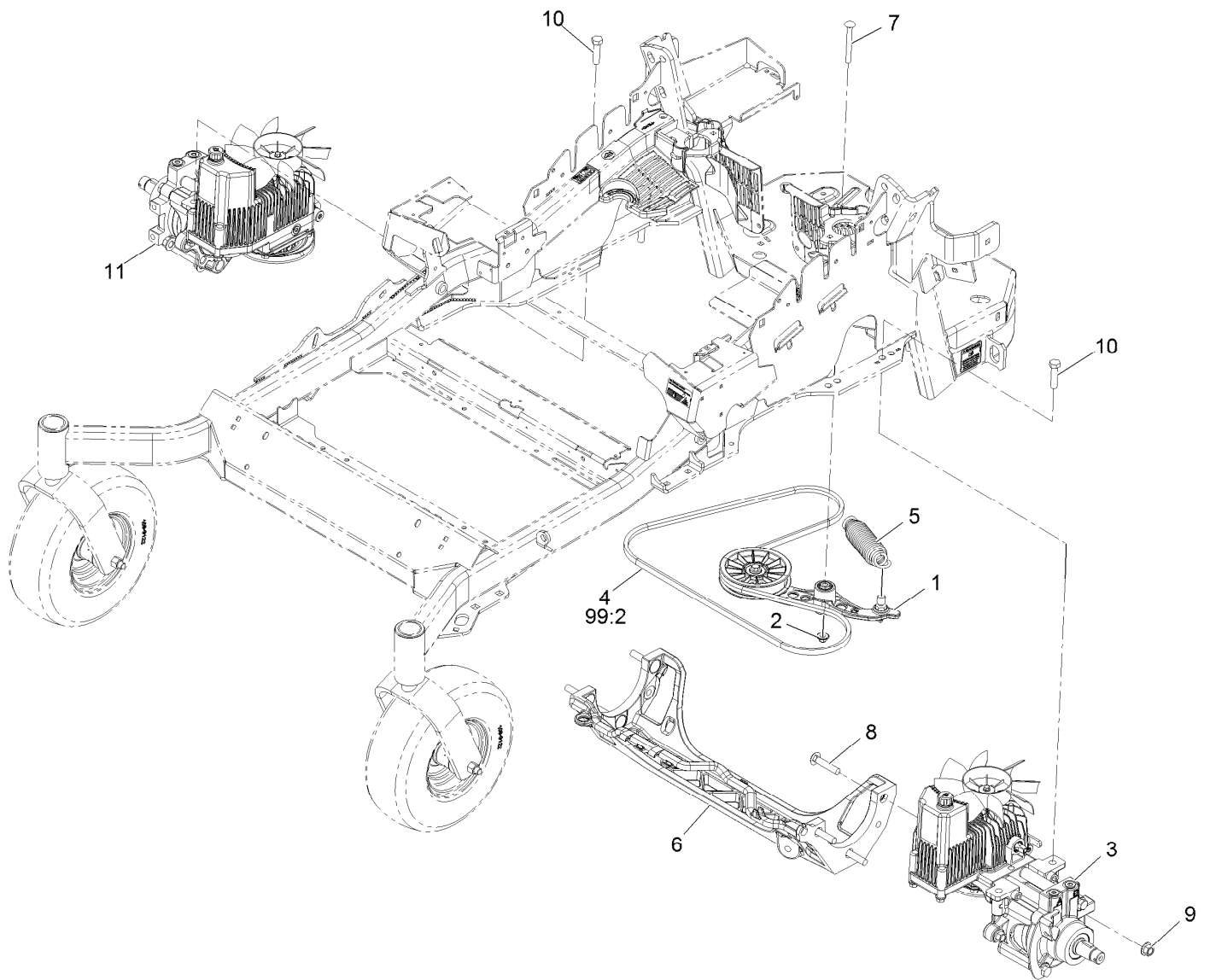
Engine Assembly

Ref.	Part Number	Qty.	Description	Ref.	Part Number	Qty.	Description
1		1	Engine-Kohler, Ps-Cv740-3135 ●■	12:2	353-508	1	Plug-W/O-Ring
2	109-9905	1	Sheave	12:2:1	237-42	1	O-Ring
3	116-1620	1	Clutch Kit	13	3234-5	3	Screw-HH Flg 5/16-18 X 3/4
4	109-6919	1	Washer-Clutch	14	1-807259	1	Key-Machine 1/4 X 1/4 X 1
5	1-603610	2	Washer-Spring Disc 7/16	15	104-8301	1	Nut-Nyloc 3/8-16 Flg
6	109-9762	1	Screw-HH 7/16-20 X 2 W/Loctite ▲	16	116-2612-01	1	Clutch-Anchor
7	3231-22	1	Bolt-Carriage 3/8-16 X 1	17	94-2413	3	U-Nut
8	116-4297	1	Muffler Bracket Kit	18	117-3893	1	Fuel Line ASM
9	116-2038	1	Muffler	18:1	109-0273	1	Hose-Fuel Line 38 1/4"
10	32144-102	4	Screw-HWH 3/8-16 X 1 1/2 Taptite	18:2	117-3892	1	Sleeve-Thermal
11	98-5975	4	Washer-Spring Disc 3/8	18:3	2412-98	2	Clamp-Hose
12	116-5316	1	Oil Drain Hose ASM	20	104-2490	1	Clamp-Hose
				21	116-4295	2	Screw-HH M6-1 X 20Mm W/Patch

● Not serviced separately

▲ Use Pro-Lock, Nut Type (P/N 1-840022, .5ml tube) on threads.

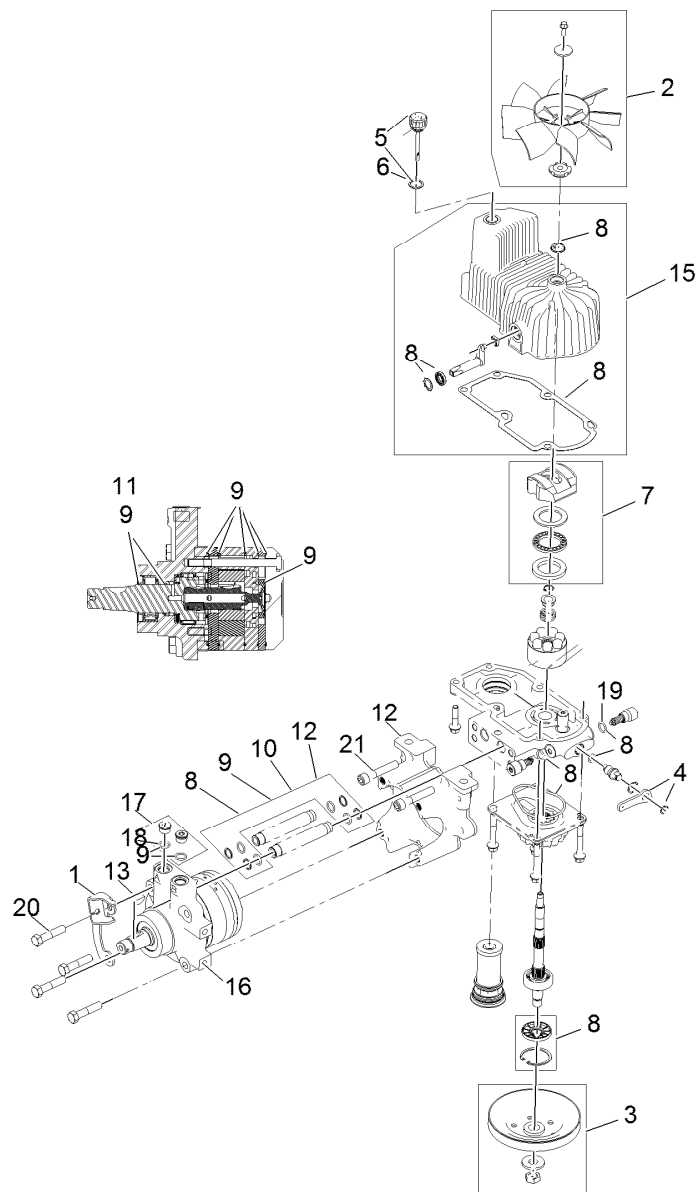
■ Obtain parts from www.kohlerplus.com



Hydraulic Assembly

Ref.	Part Number	Qty.	Description	Ref.	Part Number	Qty.	Description
1	116-1255	1	Pump Idler ASM	10	325-8	4	Screw-HH 1/2-13 X 1 1/4
2	109-6658	1	Nut-Nyloc 3/8-16 Flg	11	116-6414	1	RH Hydro ASM (12Cc W/Shock)
3	116-6413	1	LH Hydro ASM (12Cc W/Shock)	99	109-9828	1	Bottle-Oil, 32Oz Hydraulic ●
4	109-3388	1	Belt	99	116-0164	1	Filter-Hydro ●
5	116-6317	1	Spring-Extension	99	116-1218	1	Bottle,Oil 1 Gallon Hydraulic ●
6	109-9375	1	Cradle-Hydro	99	116-3270	1	Kit, Hydro Service ●
7	116-1502	1	Bolt-Carriage Shoulder 3/8-16 X 3 1/2	99:1	109-9828	4	Bottle-Oil, 32Oz Hydraulic ●
8	3233-34	6	Bolt-Carriage 1/2-13 X 2 1/2	99:2	109-3388	1	Belt
9	99-5107	6	Nut-Lock 1/2-13	99:3	116-0164	2	Filter-Hydro ●

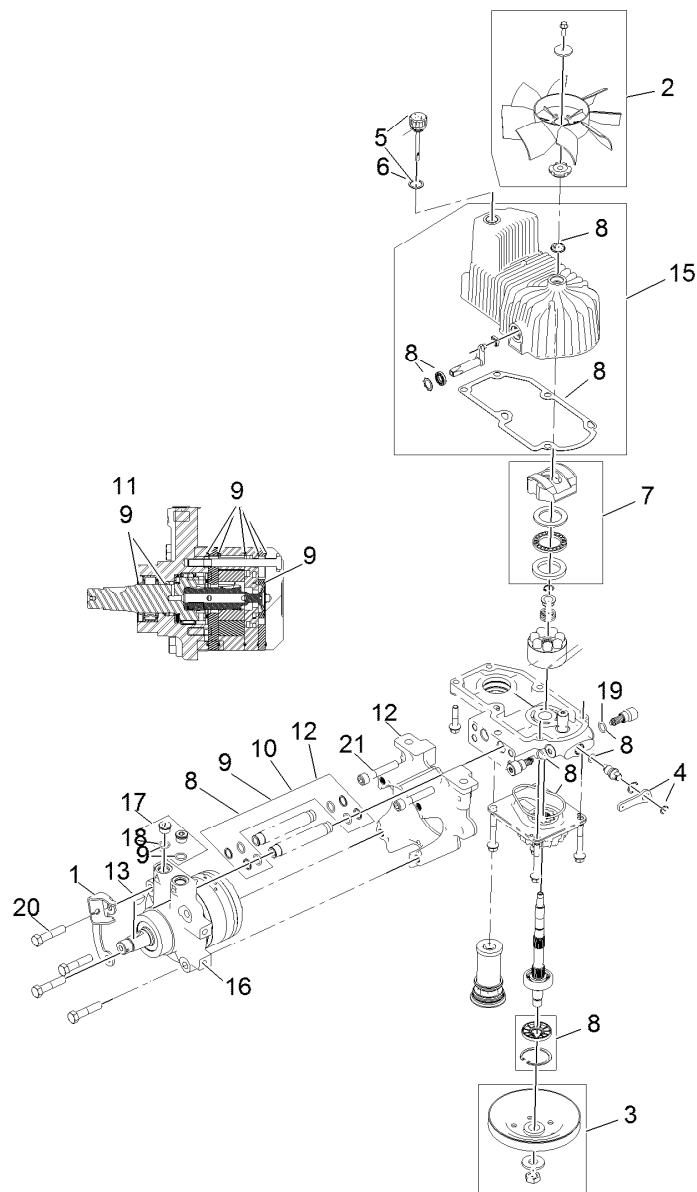
● Not illustrated



LH Hydro Assembly No. 116-6413

Ref.	Part Number	Qty.	Description	Ref.	Part Number	Qty.	Description
1	116-6859	1	Bracket-Anchor, Cable	11	116-1371	1	Output Shaft Seal Kit
2	116-0233	1	Fan Kit	12	116-5469	1	Nose Cup-Uht
3	116-0234	1	Pulley Kit	13	3257-42	1	Key-Woodruff 5/16 X 1
4	116-0235	1	Handle-Bypass Valve, Hydro	15	116-3287	1	Housing-Hydro, LH
5	116-0236	1	Dipstick-Hydro W/Gasket	16	116-8915	1	Motor-Hydraulic LH 240Cc
6	116-0237	1	Gasket-Dipstick, Hydro	17	116-7901	1	Magnetic Plugs Service Kit
7	116-1367	1	Swash Block Kit	18	76-1900	2	O-Ring
8	116-1368	1	Pump Seal Kit	19	116-8662	2	O-Ring-Check Valve
9	116-1369	1	Motor Seal Kit	20	116-8974	4	Screw-HH 1/2-20 X 2 1/4
10	116-1370	1	Tube Seal Kit	21	116-8975	2	Screw-HSH 1/2-20 X 2 3/4
				99	116-1373	1	Flow Test Kit ●

● Not illustrated



RH Hydro Assembly No. 116-6414

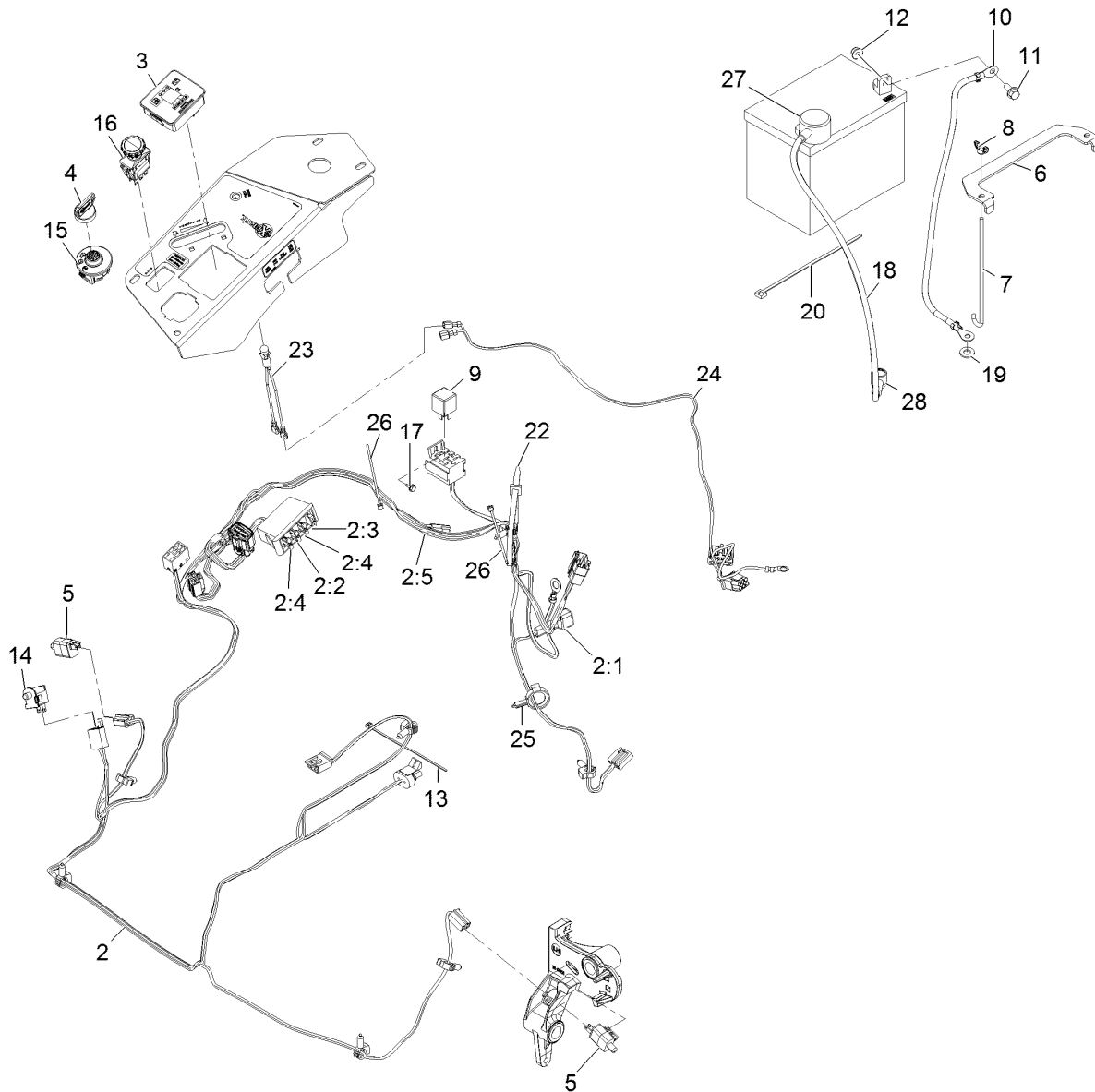
Ref.	Part Number	Qty.	Description	Ref.	Part Number	Qty.	Description
1	116-6859	1	Bracket-Anchor, Cable	11	116-1371	1	Output Shaft Seal Kit
2	116-0233	1	Fan Kit	12	116-5469	1	Nose Cup-Uht
3	116-0234	1	Pulley Kit	13	3257-42	1	Key-Woodruff 5/16 X 1
4	116-0235	1	Handle-Bypass Valve, Hydro	15	116-3288	1	Housing-RH
5	116-0236	1	Dipstick-Hydro W/Gasket	16	116-8916	1	Motor-Hydraulic RH 240Cc
6	116-0237	1	Gasket-Dipstick, Hydro	17	116-7901	1	Magnetic Plugs Service Kit
7	116-1367	1	Swash Block Kit	18	76-1900	2	O-Ring
8	116-1368	1	Pump Seal Kit	19	116-8662	2	O-Ring-Check Valve
9	116-1369	1	Motor Seal Kit	20	116-8974	4	Screw-HH 1/2-20 X 2 1/4
10	116-1370	1	Tube Seal Kit	21	116-8975	2	Screw-HSH 1/2-20 X 2 3/4
				99	116-1373	1	Flow Test Kit ●

● Not illustrated



Pump Idler Assembly No. 116-1255

Ref.	Part Number	Qty.	Description
2	43-0940	1	Spacer
3	103-3504	2	Bearing-Spherical
4	103-3505	1	Seal-Double Lip
5	103-3506	1	Seal-Single Lip
6	109-6658	1	Nut-Flange, NI
7	106-7159	2	O-Ring
8	323-8	1	Screw-HH
9	32120-10	2	Ring-Snap
10	302-19	1	Fitting-Grease
11	109-8076	1	Pulley-Idler
12	116-3467	1	Pin-Spring, Anchor



Electrical Assembly

Ref.	Part Number	Qty.	Description	Ref.	Part Number	Qty.	Description
2	116-6009	1	Harness-Wire, Main ●	12	104-8300	2	Nut-Nyloc 5/16-18 Flg
2:1	103-3895	1	Diode-Tvs	13	1-303287	3	Tie-Cable 5 1/2 (Small)
2:2	218-578	1	Fuse-Blade, 10 Amp	14	82-2190	1	Switch
2:3	109355	1	Fuse-Blade, 15 Amp	15	117-2221	1	Switch-Ignition
2:4	109102	2	Fuse-Blade, 25 Amp	16	116-0124	1	Switch-PTO, 10A
2:5	116-0053	1	Cap-Plug	17	104-2065	1	Screw-HWH #10-24 X 3/8
3	117-3882	1	Fuel/Hour Meter ASM	18	115-3864	1	Cable-Battery, Positive
4	1-603511	1	Key-Ignition	19	3256-24	1	Washer-3/8 Sae
4	103-2106	1	Key-Exmark Logo	20	1-303335	1	Tie-Cable 7 15/16 (Large)
5	110-6765	2	Switch-Single Pole No	22	1-303335	1	Tie-Cable 7 15/16 (Large)
6	116-0042-03	1	Strap-Tie Down, Battery	23	1-643267	1	Indicator-Red Led
7	1-633651	2	Bolt-Holddown	24	116-3062	1	Harness-Indicator Light
8	1-543792	2	Wingnut-Nyloc 1/4-20	25	105-1853	1	Clamp-Hose
9	1-643275	1	Relay-12Vdc 40 Amp	26	1-303287	2	Tie-Cable 5 1/2 (Small)
10	114-1218	1	Cable-Battery, Negative	27	109-2407	1	Insulator-Battery
11	3234-5	2	Screw-HH Flg 5/16-18 X 3/4	28	1-543393	1	Insulator-Solenoid

● Use dielectric grease on all unsealed connectors and terminals only. Do not apply in sealed connectors.

EXMARK® MAINTENANCE

MAXIMIZE THE PERFORMANCE OF YOUR EXMARK.

4-CYCLE PREMIUM ENGINE OIL

Part No. 116-3373

Both SAE 30 and SAE 10W-30 in one bottle.

Contains increased levels of zinc and phosphorus for better lubricity.

No Viscosity Index Improvers that tend to shear down in high heat.

Synthetic formulation.

Gas & Diesel compatible.

Anti-corrosion additives.

API 'SL' and JASO rated with wet clutch compatibility for other machines.

PREMIUM HYDRO OIL

Part No. 109-9828

Commercial quality for tough, high-heat conditions.

Designed specifically for zero-turn mower hydraulic systems.

Superior shear resistance under heavy loads.



Available from your local Exmark dealer. Find your closest dealer at exmark.com

EXMARK ACCESSORIES AND OPTIONS*

MID-MOUNT RIDING ACCESSORIES AND OPTIONS

CUSTOM RIDE SEAT SUSPENSION SYSTEM	OPERATOR CONTROLLED DISCHARGE
FULL SUSPENSION SEAT	SUN SHADE
DECK LIFT ASSIST KIT	TRASH CONTAINER
HITCH KIT	TURF STRIPER
LIGHT KIT	ULTRA VAC COLLECTION SYSTEM
12V POWER PORT	ULTRA VAC QUICK DISPOSAL SYSTEM
MICRO-MULCH SYSTEM	

OUT-FRONT RIDING ACCESSORIES AND OPTIONS

CUSTOM RIDE SEAT SUSPENSION SYSTEM	SNOW BLADE
DUAL-TAIL WHEEL	SNOWBLOWER
FLOOR PAN EXTENDER	SUN SHADE
HITCH KIT	TRASH CONTAINER
LIGHT KIT	ULTRA VAC COLLECTION SYSTEM
MICRO-MULCH SYSTEM	ULTRA VAC QUICK DISPOSAL SYSTEM
ROLL OVER PROTECTION SYSTEM (ROPS)	WEATHER CAB

WALK-BEHIND ACCESSORIES AND OPTIONS

GRASS CATCHER	TURF STRIPER
MICRO-MULCH SYSTEM	STANDON

*Some accessories and options not available for some models.

Place Model No. and Serial No.
Label Here (Included in the Literature
Pack) or Fill in Below

Model No. _____

Serial No. _____

Date Purchased _____

Engine Model No. and Spec. No. _____

Engine Serial No. (E/No) _____

© 2013 Exmark Mfg. Co., Inc.
Industrial Park Box 808
Beatrice, NE 68310
All Rights Reserved

Part No. 4501-279 Rev. C
(402) 223-6300
Fax (402) 223-5489
Printed in the USA.

