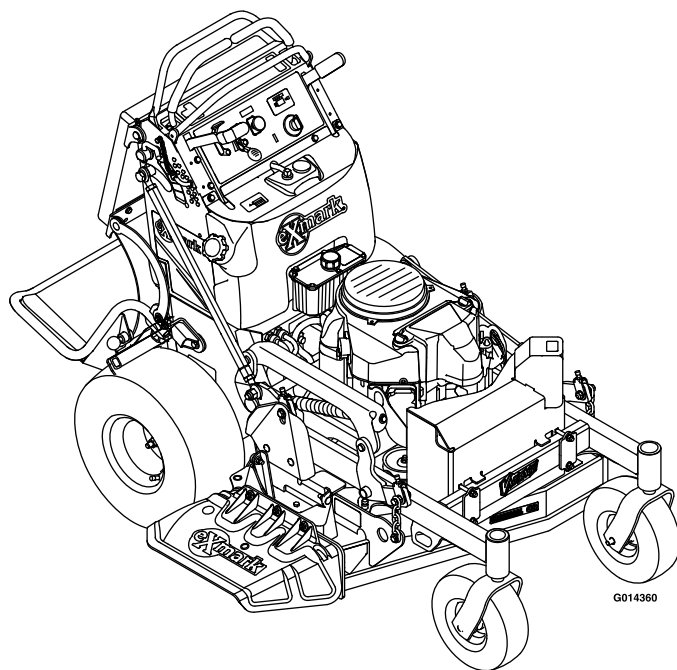




# VANTAGE® S-SERIES

Model No. VTS541KA363CA—Serial No. 31300000 and Up

Picture below may not reflect actual product.



# Parts Manual

Part No. 4501-456 Rev. A

# Ordering Replacement Parts

To order replacement parts, please supply the part number, the quantity, and the description of each part desired.

## Understanding Reference Numbers

Each identified part in an illustration has a reference number. The reference number for a part also appears in the parts list, along with other information about the part.

This catalog uses two special reference number formats, one to indicate parts in a service assembly and another to indicate the quantity of a given part in an illustration.

## Service Assembly Reference Numbers

Parts in service assemblies have reference numbers in the form a:b. The a represents the reference number of the entire service assembly and the b represents a sequential number unique to each part within the service assembly.

For example, a wheel assembly might be identified by reference number 6, the tire by 6:1, the valve by 6:2, and the wheel by 6:3. When you order the assembly identified by reference number 6, you receive all parts identified by reference numbers 6:1, 6:2, and 6:3. However, you may also order any part individually. Reference numbers of this type appear in illustration and in parts lists.

## Reference Numbers Indicating Quantity

In an illustration, if a reference number indicates more than one part, the reference number has the form nX y. The n represents the quantity of the part, the X is the multiplication symbol, and the y represents the reference number.

For example, in an illustration, the reference number 2X 37 means that two of the parts identified by reference number 37 are indicated.

# List of Abbreviations

<b>AR:</b> as required	<b>HJ:</b> hex jam	<b>PRH:</b> phillips round head
<b>ASM:</b> assembly	<b>HLH:</b> hex lag head	<b>PTH:</b> phillips truss head
<b>BBC:</b> blade brake control	<b>HOC:</b> height-of-cut	<b>PTO:</b> power-take-off
<b>BHTF:</b> button head thread forming	<b>HSBH:</b> hex socket button head	<b>RH:</b> right hand
<b>CARR:</b> carriage	<b>HSFH:</b> hex socket flat head	<b>ROPS:</b> roll-over protection system
<b>CCW:</b> counter clockwise	<b>HSH:</b> hex socket head	<b>RRB:</b> rear roller brush
<b>CW:</b> clockwise	<b>HWH:</b> hex washer head	<b>SFH:</b> slotted fillister head
<b>DEG:</b> degrees	<b>HWHTF:</b> hex washer head thread forming	<b>SHH:</b> slotted hex head
<b>DPA:</b> Dual Point Adjustment	<b>HYD:</b> hydraulic	<b>SHWH:</b> slotted hex washer head
<b>ECM:</b> electronic control module	<b>LH:</b> left hand	<b>SPH:</b> slotted pan head
<b>EXT:</b> external	<b>LP:</b> Liquefied Petroleum Gas	<b>SQH:</b> square head
<b>FH:</b> flat head	<b>LPG:</b> Liquefied Petroleum Gas	<b>SRH:</b> slotted round head
<b>GA:</b> gauge	<b>NI:</b> nylon insert	<b>STD:</b> standard
<b>HD:</b> heavy-duty	<b>NPTF:</b> national pipe thread fine	<b>TAP:</b> self tapping
<b>HF:</b> hex flange	<b>PFH:</b> phillips flat head	<b>TTH:</b> torx truss head
<b>HH:</b> hex head	<b>PPH:</b> phillips pan head	
<b>HHF:</b> hex head flange	<b>PPHTF:</b> phillips pan head thread forming	
<b>HHFTF:</b> hex head flange thread forming		

# Touch Up Paint

Exmark black touch up spray paint – gloss black.

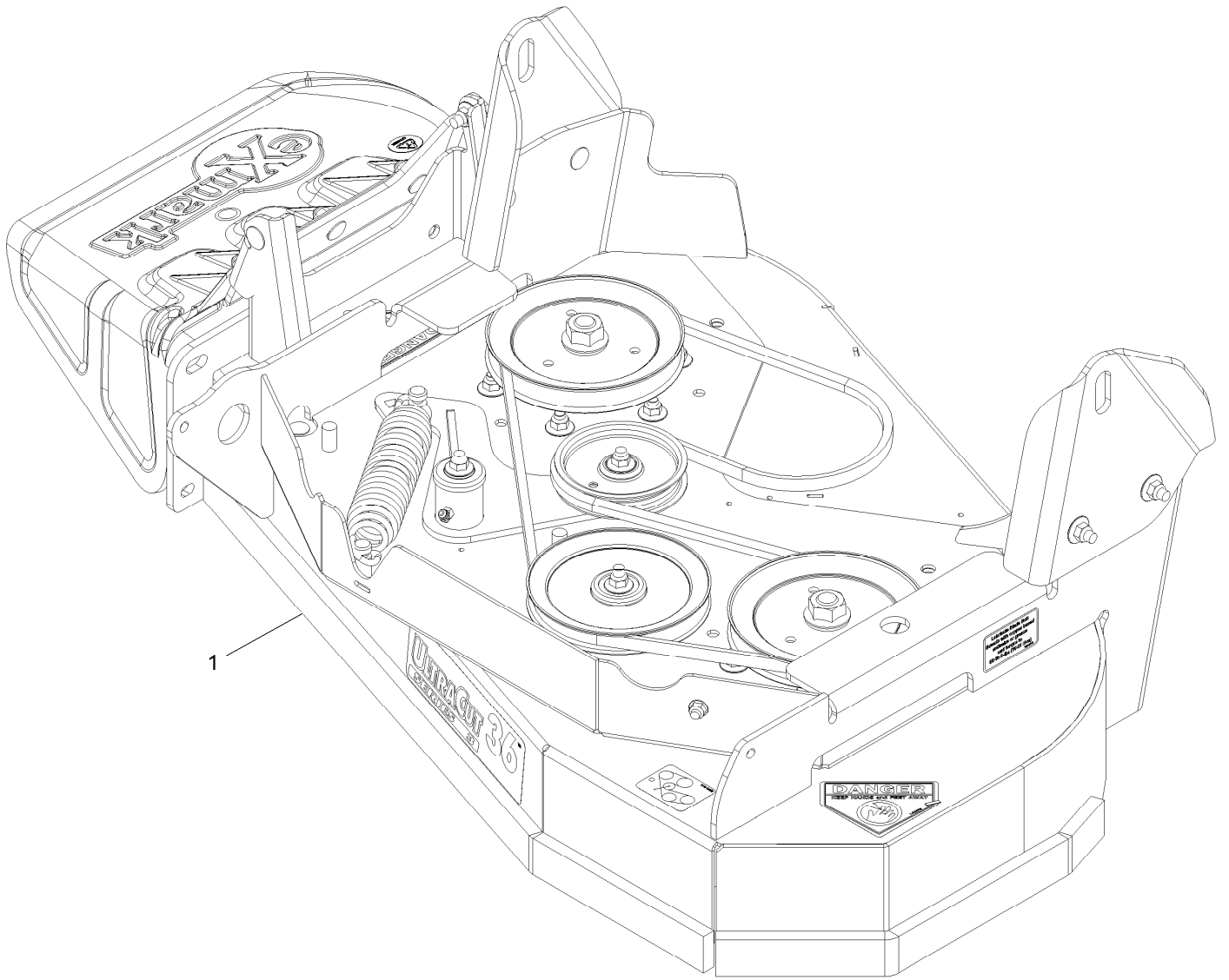
Exmark red touch up paint (spray paint – P/N 1-850337 - .6 oz liquid bottle – P/N 103-9140).



If your Exmark dealer does not have the Exmark part in stock, Exmark will get the parts to the dealer the next business day or the part will be FREE Guaranteed!! (Some restrictions apply. See your participating Exmark Dealer for details.)

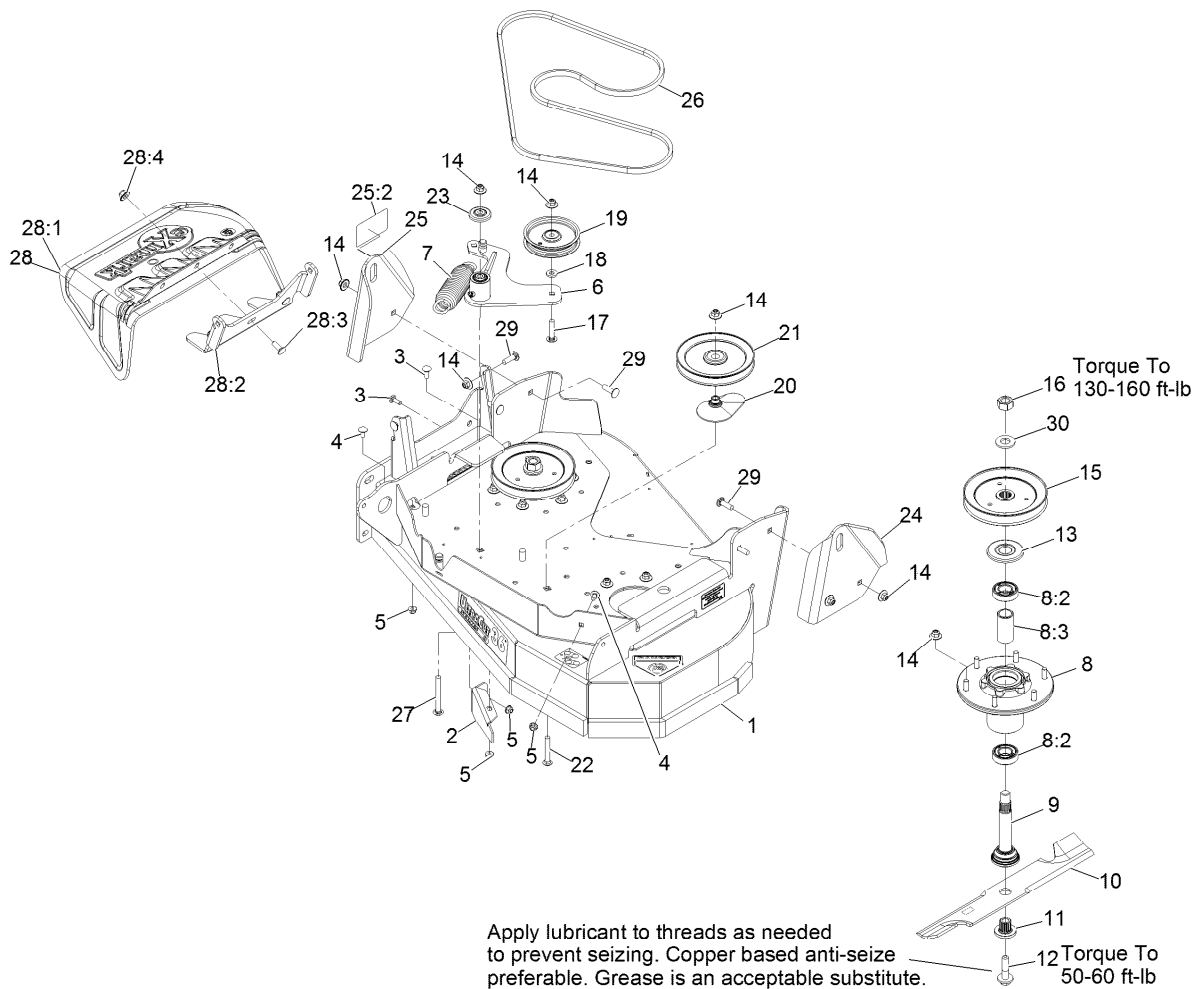
## Contents

Complete Deck Assembly.....	4
Deck Assembly.....	5
Deck W/Decals Assembly No. 116-3662.....	6
Idler Arm Assembly No. 116-3680.....	7
Main Frame Assembly.....	8
Control Tower With Decals Assembly No. 116-6323.....	9
Wheel and Bearing Assembly No. 112-3810.....	10
Park Brake Assembly.....	11
Brake Linkage Assembly No. 116-4166.....	12
Deck Lift Assembly.....	13
Height of Cut Link Assembly No. 116-3975.....	15
Platform Assembly.....	16
Cushion Assembly No. 116-1803.....	17
Platform Assembly No. 116-3523.....	18
Ground Drive Assembly.....	19
Pump Idler Assembly No. 117-7685.....	21
Control Assembly.....	22
Vertical Adjust Link Assembly No. 116-4210.....	23
LH Tracking Control Linkage Assembly No. 116-4213.....	24
RH Tracking Control Linkage Assembly No. 116-4214.....	25
Engine Assembly.....	26
Fuel Tank Mounting Assembly.....	27
Fuel Tank Assembly No. 116-4577.....	28
Electrical Assembly.....	29



## Complete Deck Assembly

<i>Ref.</i>	<i>Part Number</i>	<i>Qty.</i>	<i>Description</i>
1	116-4301	1	ASM,Deck Complete 363

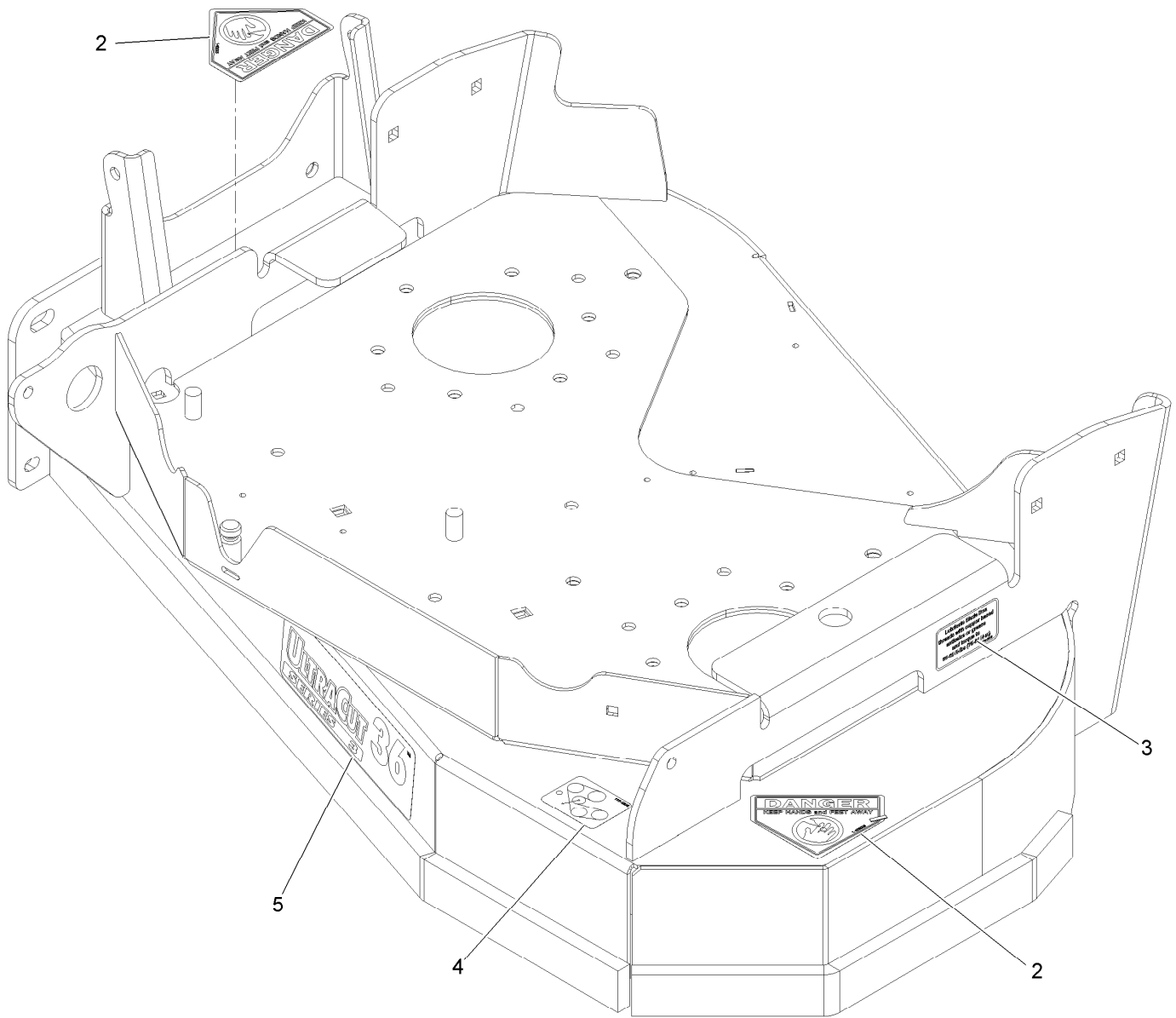


## Deck Assembly

Ref.	Part Number	Qty.	Description	Ref.	Part Number	Qty.	Description
1	116-3662	1	Deck ASM - 36	16	116-7306	2	Nut-Hex
2	116-4244-01	1	Baffle-Dogleg	17	3231-5	1	Bolt-Carriage 3/8-16 X 1 3/4
3	3230-16	2	Bolt-Carriage 5/16-18 X 7/8	18	43-0940	1	Spacer
4	3230-18	2	Bolt-Carriage 5/16-18 X 5/8	19	93-1622	1	Pulley-Idler
5	104-8300	4	Nut-Nyloc 5/16-18 Flg	20	109-2872	1	Spacer-Pulley
6	116-3680	1	Idler Arm ASM -	21	116-3592	1	Pulley-Idler
7	116-6317	1	Spring-Extension	22	3231-31	1	Bolt-Carriage 3/8-16 X 2 1/2
8	116-3344	2	ASM-Cutter Hsg With Bearings	23	103-2916	1	Guard-Top
8:2	116-0720	2	Bearing-Ball	24	116-3675-01	1	Push-Tower,LH 36
8:3	116-3312	1	Spacer-Bearing	25	116-4674	1	Push Tower-RH 36, W/Decal
9	116-3342	2	ASM-Spindle And Seal ■	25:2	1-303508	1	Decal-Warning, Discharge
10	103-6382	2	Blade, Solid	26	116-3703	1	Belt-V
10	103-6387	2	Blade, Low Lift	27	116-1502	1	Bolt-Carriage Shoulder 3/8-16 X 3 1/2
10	103-6392	2	Blade, Mulching ●	28	116-4230	1	Chute - Discharge ASM
10	103-6397	2	Blade, Extreme	28:1	109-2738	1	Chute, Discharge
10	103-6402	2	Blade-Notched	28:2	116-4229-01	1	Bracket-Chute, Discharge
11	103-3037	2	Bushing, Splined	28:3	3231-22	3	Bolt-Carriage 3/8-16 X 1
12	109-9220	2	Screw-Sems 1/2-20 X 2.19	28:4	109-6658	3	Nut-Nyloc 3/8-16 Flg
13	116-1286	2	Guard,Bearing Top .989	29	3231-28	6	Bolt-Carriage 3/8-16 X 1 1/4
14	109-6658	21	Nut-Nyloc 3/8-16 Flg	30	103-2802	2	Washer-Spring Disc 3/4
15	116-0675	2	Sheave,Blade Drive 6.50 ■				

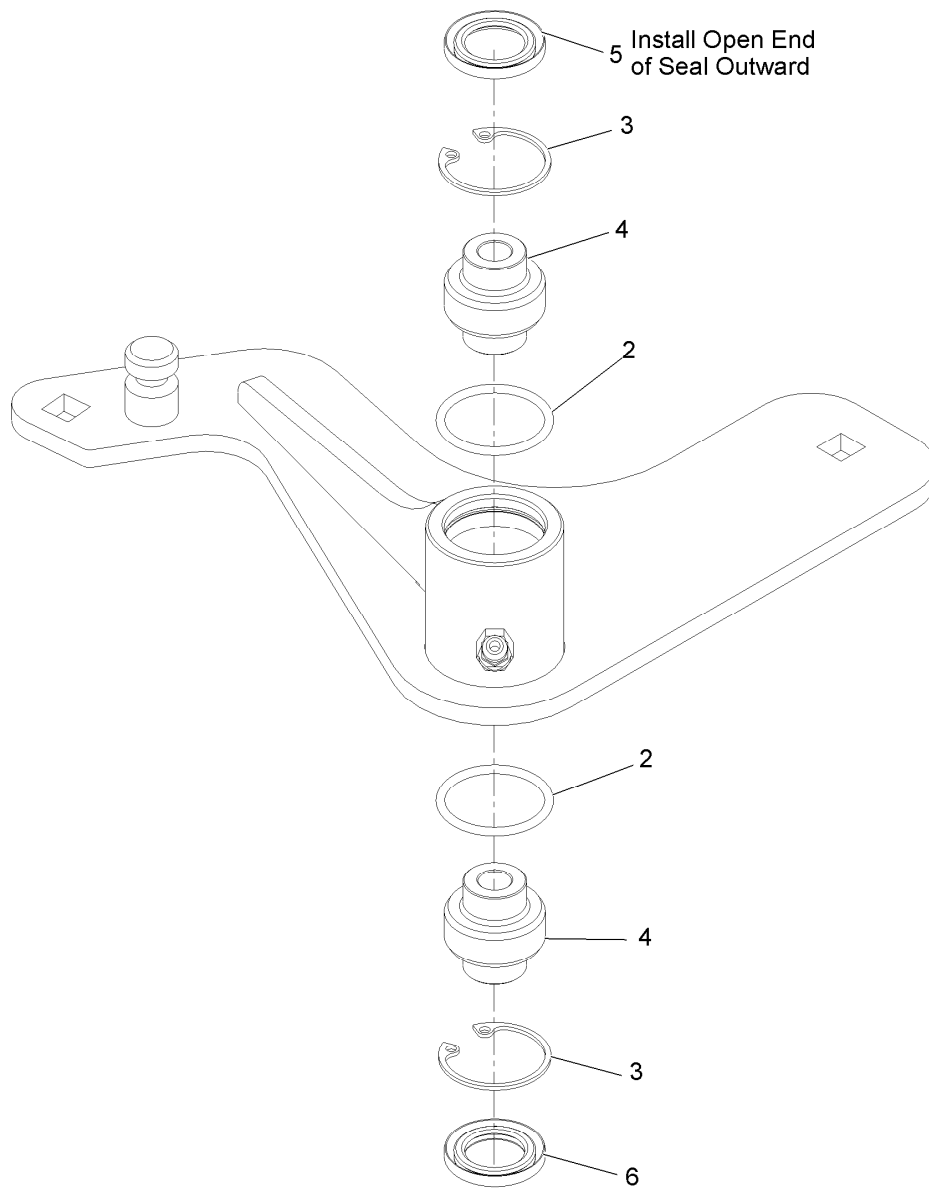
● Requires installation of mulch kit for proper mulching. See your Exmark dealer for details.

■ Apply Mobil HTS grease (P/N 103-5217 1.5 oz packet) (or a food-grade anti-seize). See operator s manual for locations.



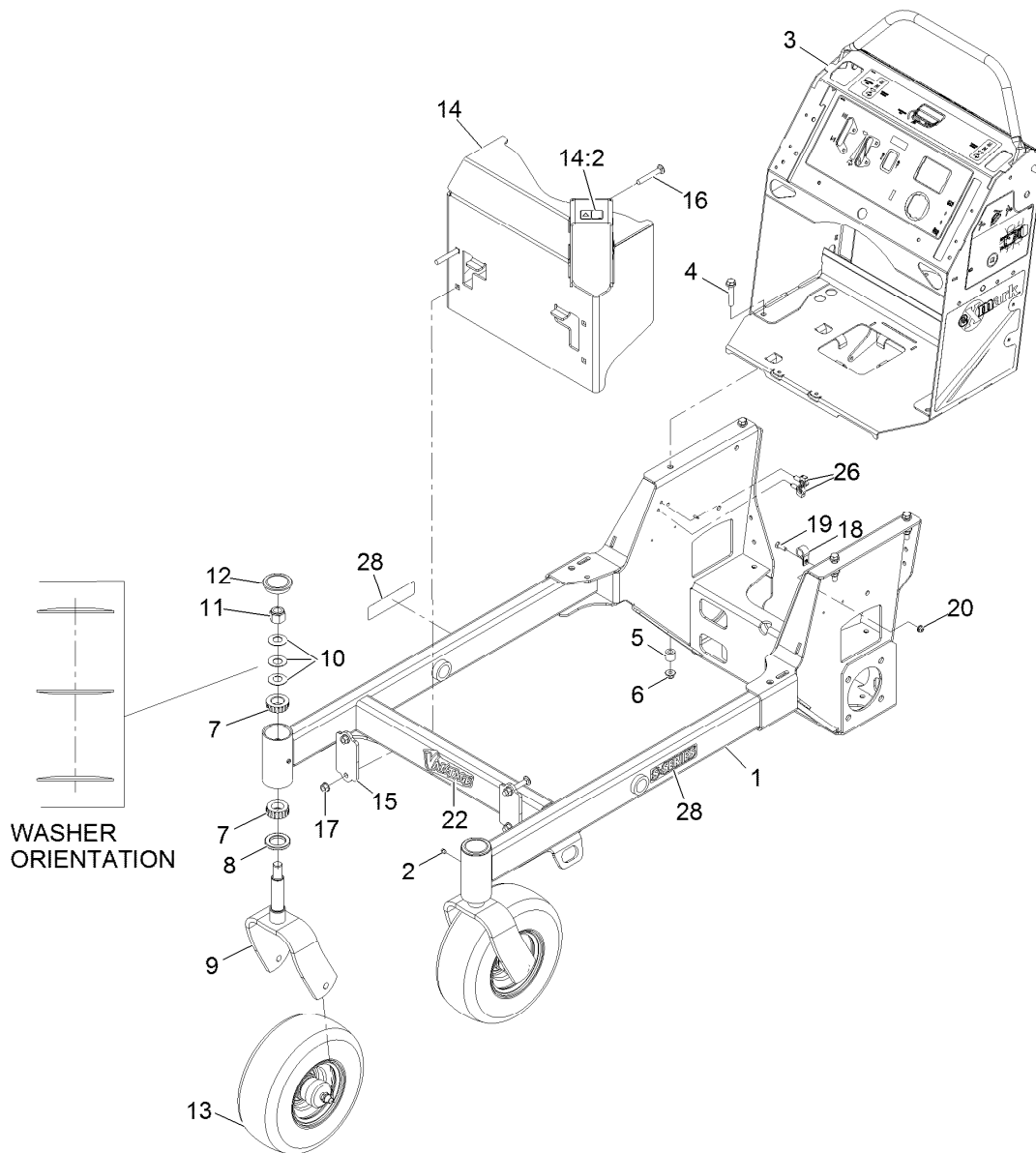
## Deck W/Decals Assembly No. 116-3662

Ref.	Part Number	Qty.	Description
2	1-403005	2	Decal-Danger
3	109-3148	1	Decal,Bolt Torque
4	116-4298	1	Decal-Belt Routing 36
5	116-4695	1	Decal-Ultracut 36 Series 3



## Idler Arm Assembly No. 116-3680

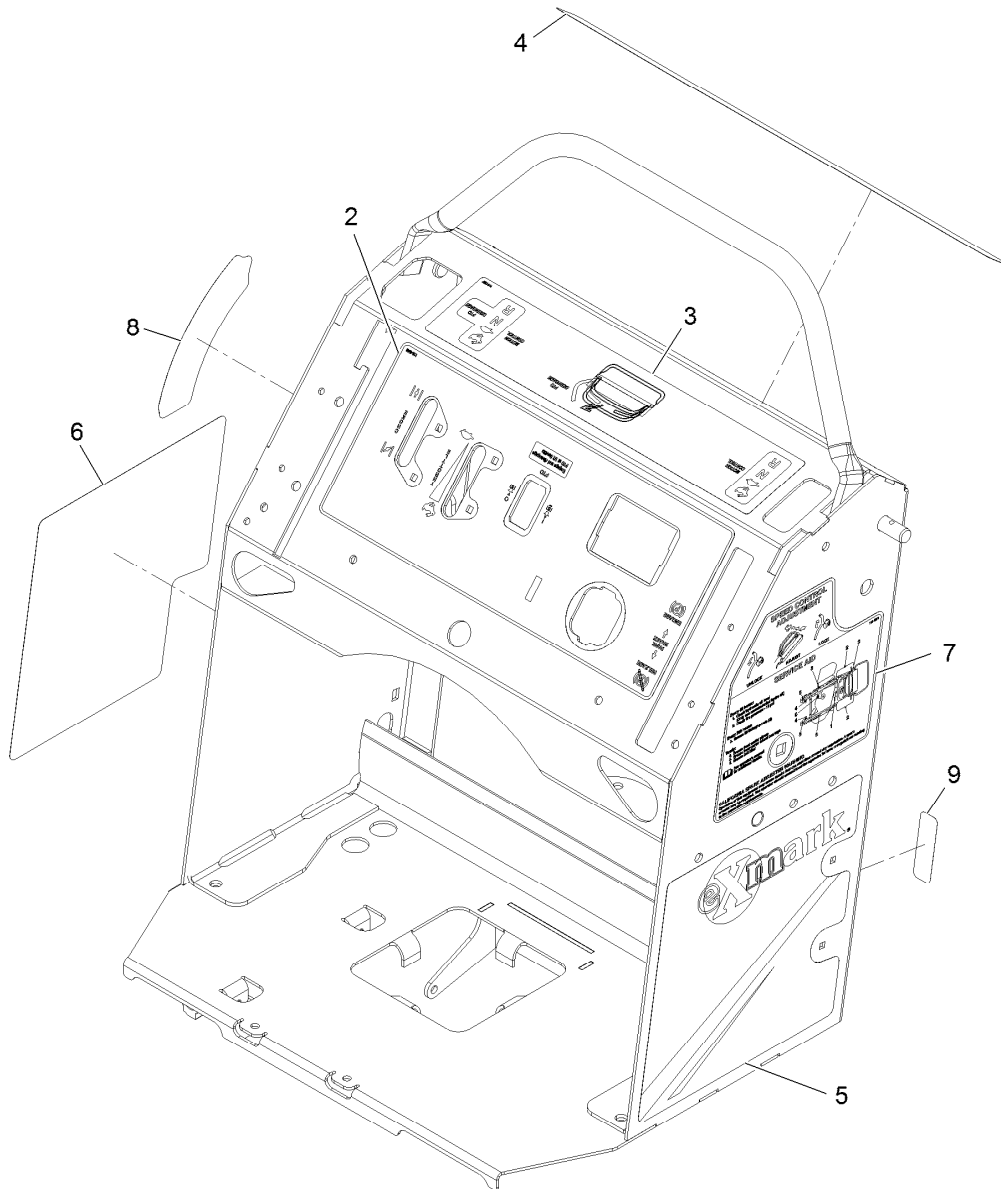
<i>Ref.</i>	<i>Part Number</i>	<i>Qty.</i>	<i>Description</i>
2	106-7159	2	O-Ring
3	32120-10	2	Ring-Retaining
4	103-3504	2	Bearing-Spherical
5	103-3506	1	Seal-Single Lip
6	103-3505	1	Seal-Double Lip



## Main Frame Assembly

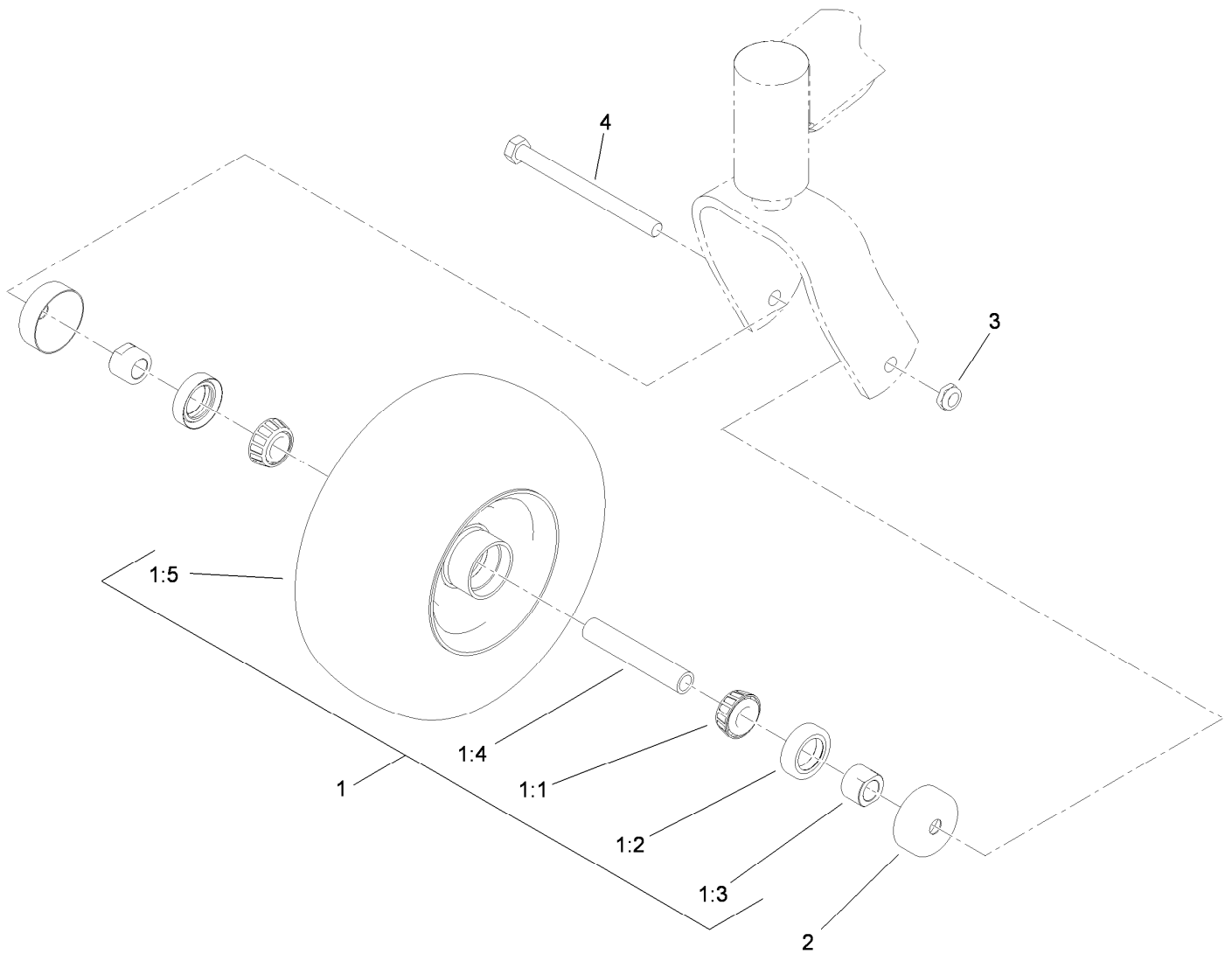
Ref.	Part Number	Qty.	Description	Ref.	Part Number	Qty.	Description
1	116-4650-01	1	Frame ASM	14	116-8739	1	Muffer Guard ASM
2	1-811010	2	Plug	14:2	106-5517	1	Decal-Warning, Hot Surface
3	116-6323	1	Control Tower ASM	15	119-7303-01	2	Bracket-Mounting, Guard
4	108-3742	4	Screw-HH Flg 3/8-16 X 2	16	3231-31	4	Bolt-Carriage 3/8-16 X 2 1/2
5	121-1760	4	Spacer	17	32128-21	4	Nut-3/8-16 Flanged Side Lock
6	104-8301	4	Nut-Nyloc 3/8-16 Flg	18	2412-87	1	Clamp-Cable
7	1-543509	4	Cone-Bearing Tapered Roller	19	321-4	1	Screw-HH 1/4-20 X 3/4
8	1-543511	2	Seal-Grease	20	104-7201	1	Nut-Nyloc 1/4-20 Flg
9	103-8618-01	2	Fork-Caster	22	116-4268	1	Decal-Vantage Logo
10	1-633508	6	Washer-Spring Disc	26	32180-040	2	Clip-Harness
11	3296-51	2	Nut-Nyloc 3/4-10	28	116-3884	2	Decal-S-Series
12	103-4882	2	Cap-Grease				
13	112-3810	2	Wheel/Tire And Bearing ASM				





## Control Tower With Decals Assembly No. 116-6323

<i>Ref.</i>	<i>Part Number</i>	<i>Qty.</i>	<i>Description</i>
2	116-4648	1	Decal-Control Panel
3	116-1887	1	Decal-Motion Control
4	116-4647	1	Decal-Warning
5	116-4269	1	Decal-LH Panel
6	116-1909	1	Decal-RH Panel
7	116-4271	1	Decal-Service Aid
8	116-4270	1	Decal-Height Of Cut
9	116-3267	1	Decal-Fuse

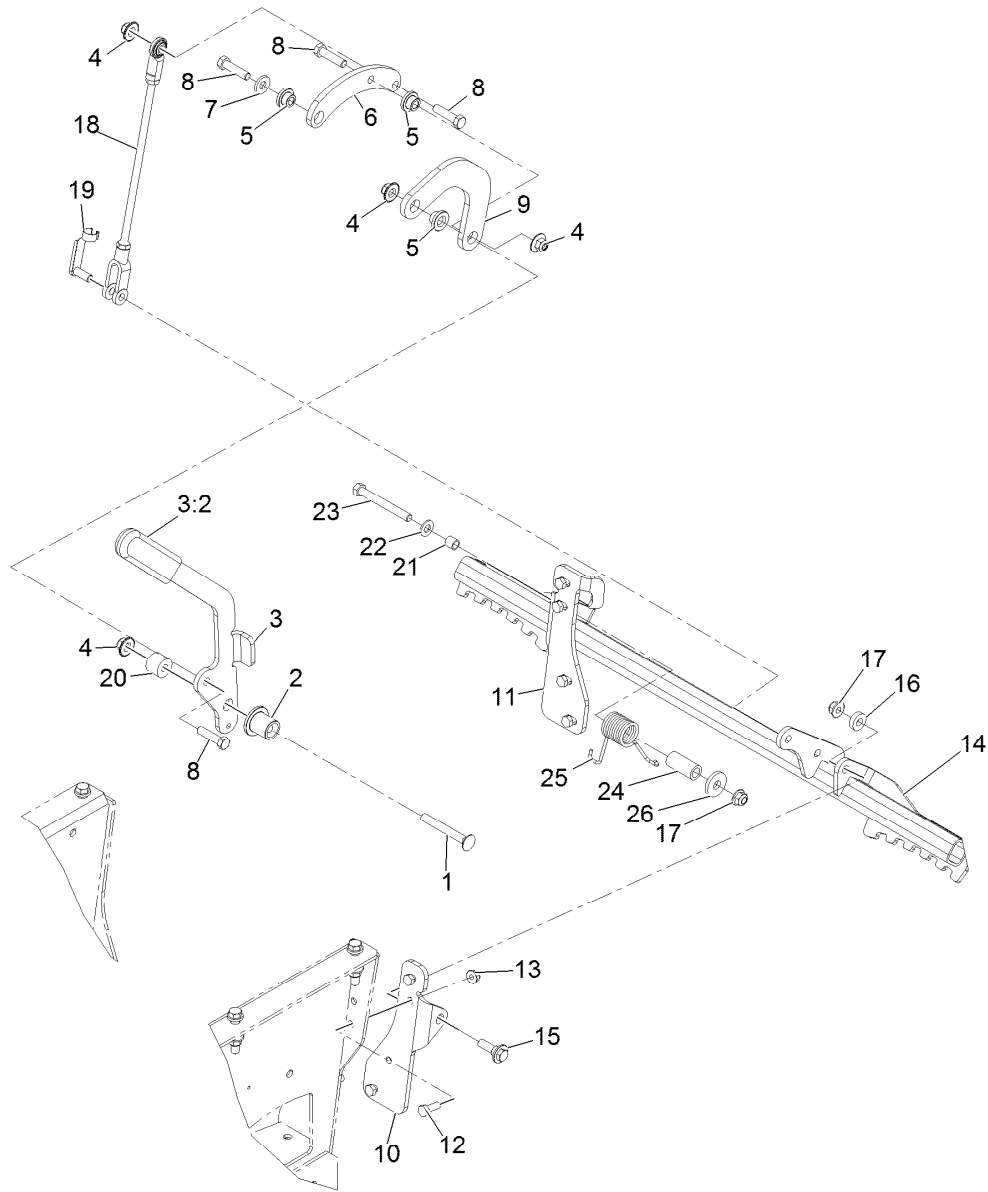


## Wheel and Bearing Assembly No. 112-3810

Ref.	Part Number	Qty.	Description
1		1	Wheel And Bearing ASM ●
1:1	1-633585	2	Bearing-Cone, Taper
1:2	103-0063	2	Seal-Caster
1:3	103-3051	2	Spacer-Nut ■
1:4	103-3157	1	Axle-Caster
1:5	110-9965	1	Wheel And Tire ASM
2	103-2768	2	Guard-Seal
3	3296-45	1	Nut-Lock, NI
4	325-20	1	Screw-HH

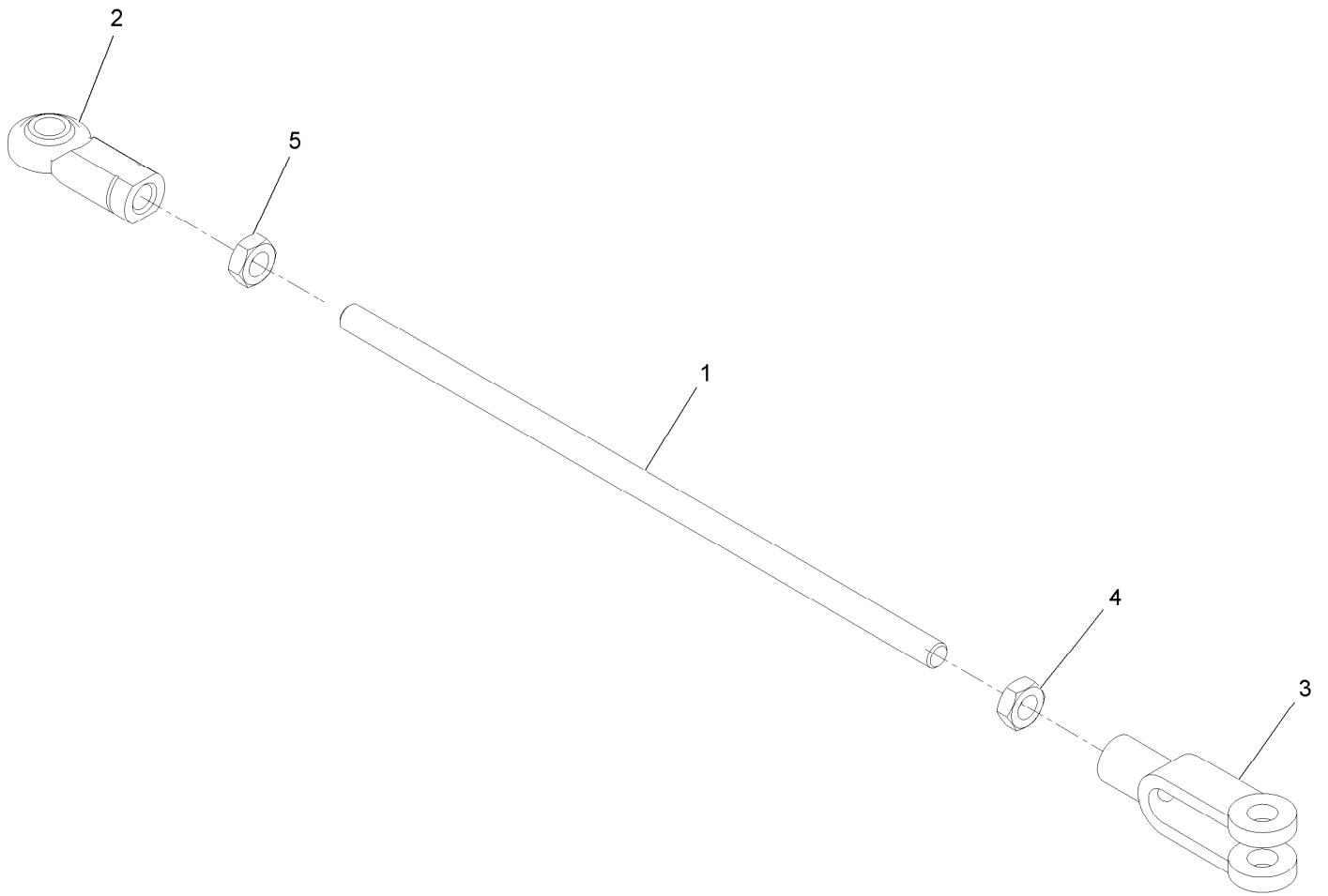
● Not serviced separately

■ Use Pro-Lock, Nut Type (P/N 1-840022, .5ml tube) on spacer nut



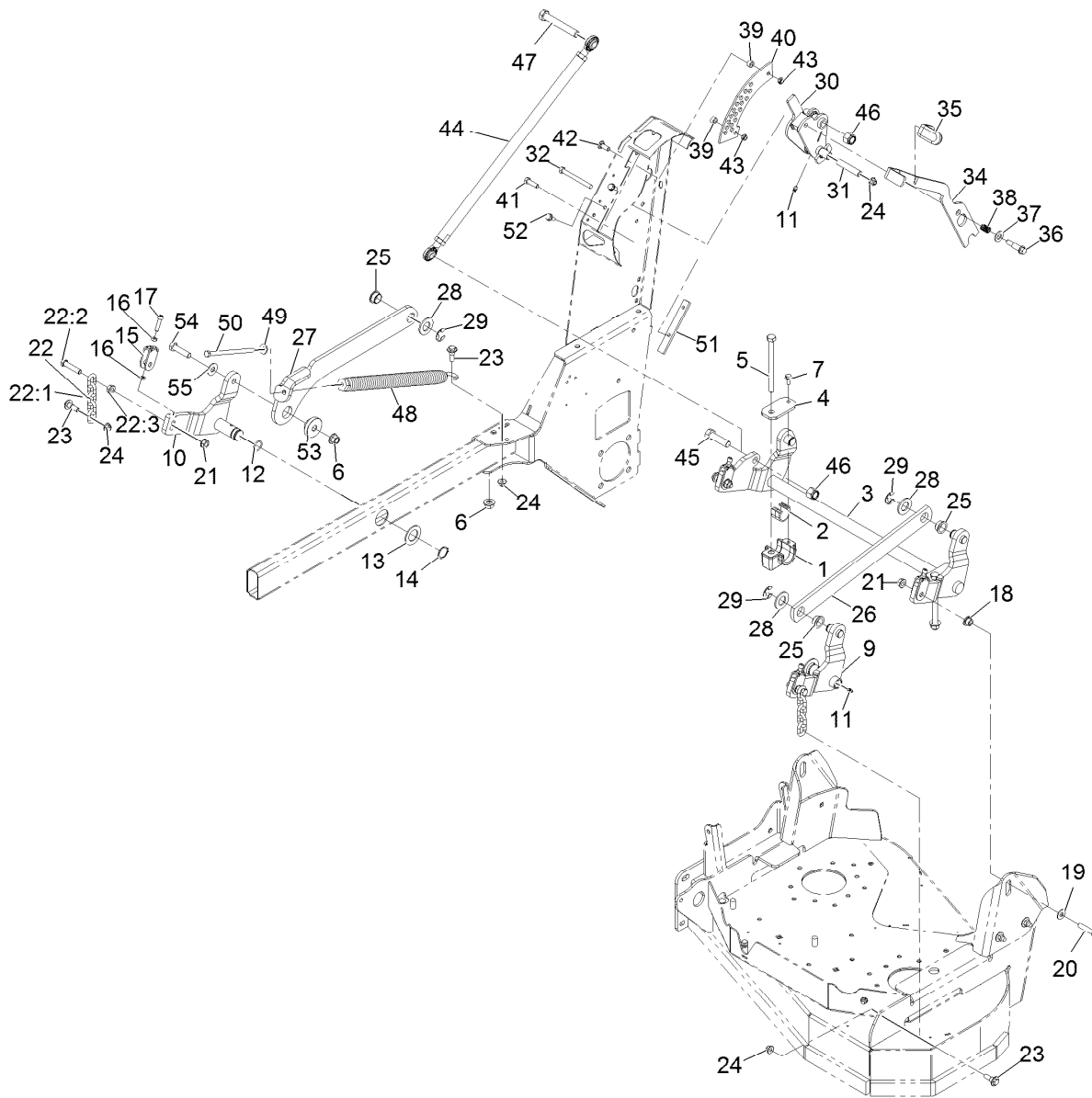
## Park Brake Assembly

Ref.	Part Number	Qty.	Description	Ref.	Part Number	Qty.	Description
1	3231-10	1	Bolt-Carriage 3/8-16 X 3	14	116-4600-03	1	Brake Bar ASM
2	116-4928	1	Bushing-Handle	15	614672	1	Screw-Shoulder 3/8-16 X 1.295
3	116-4680	1	Handle-W/Grip ASM	16	5-0652	1	Spacer
3:2	1-633268	1	Grip-Lever	17	104-8301	2	Nut-Nyloc 3/8-16 Flg
4	109-6658	4	Nut-Nyloc 3/8-16 Flg	18	116-4166	1	ASM-Brake Linkage
5	116-4929	3	Bushing-Flanged	19	103-2399	1	Pin-Clevis Spring 3/8
6	116-4806	1	Arm-Brake Bellcrank	20	92-5791	1	Spacer
7	98-5975	1	Washer-Spring Disc 3/8	21	117-9684	1	Spacer
8	323-8	4	Screw-HH 3/8-16 X 1 1/2	22	3256-24	1	Washer-3/8 Sae
9	116-4805	1	Link-Brake Handle	23	323-20	1	Screw-HH 3/8-16 X 3-1/4
10	116-4681-01	1	Bracket-Brake Mount, LH	24	117-9683	1	Spacer
11	116-4682-01	1	Bracket-Brake Mount, RH	25	108-4052	1	Spring-Torsion
12	322-4	8	Screw-HH 5/16-18 X 7/8	26	1-373034	1	Washer
13	104-8300	8	Nut-Nyloc 5/16-18 Flg				



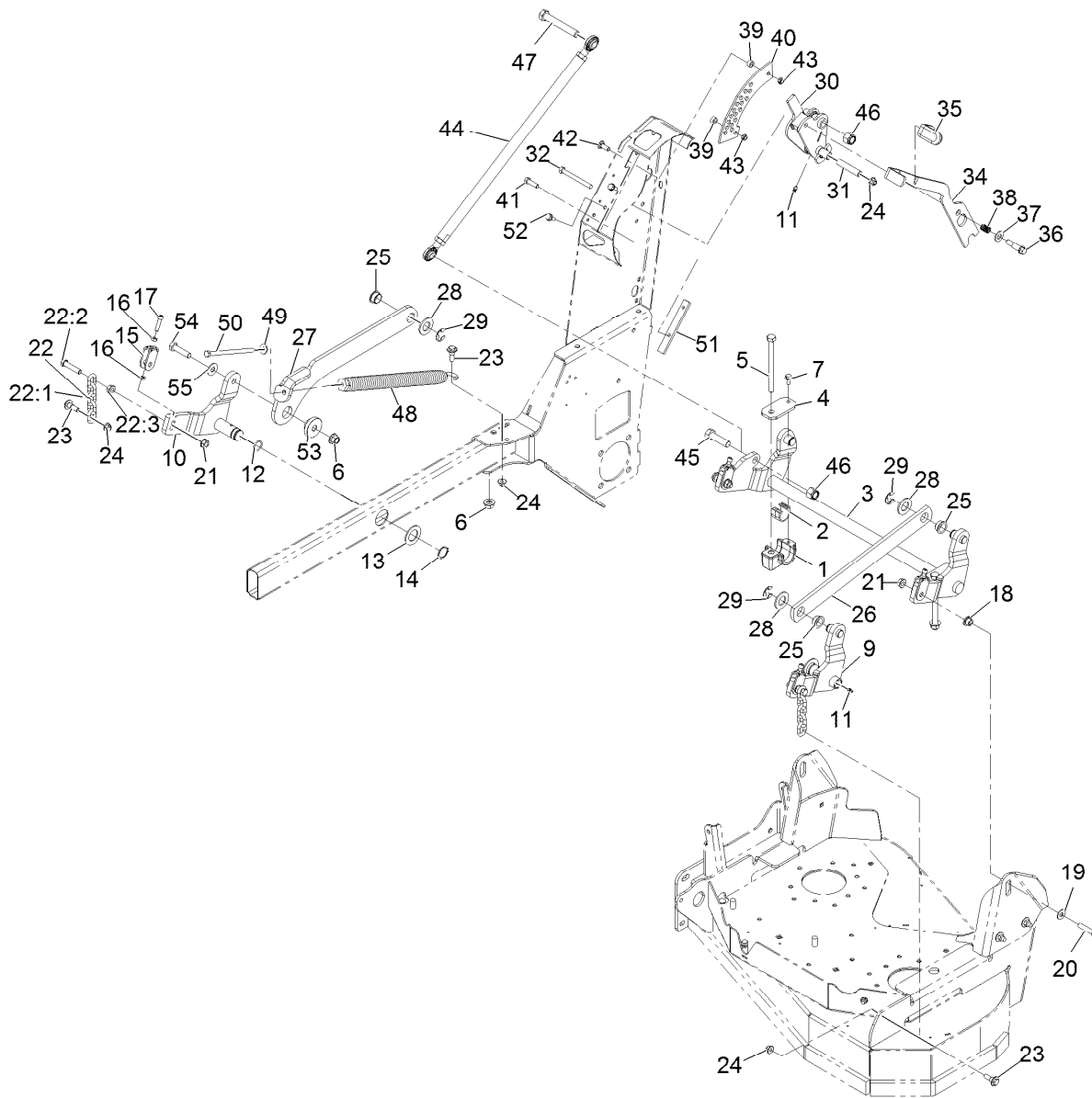
## Brake Linkage Assembly No. 116-4166

<i>Ref.</i>	<i>Part Number</i>	<i>Qty.</i>	<i>Description</i>
1	116-4818	1	Rod-Brake Linkage
2	103-1167	1	Joint-Ball End, .38X.38Fe LH
3	1-633131	1	Yoke-Linkage, Brake
4	3220-3	1	Nut-Jam 3/8-24
5	3220-16	1	Nut-Jam 3/8-24 LH



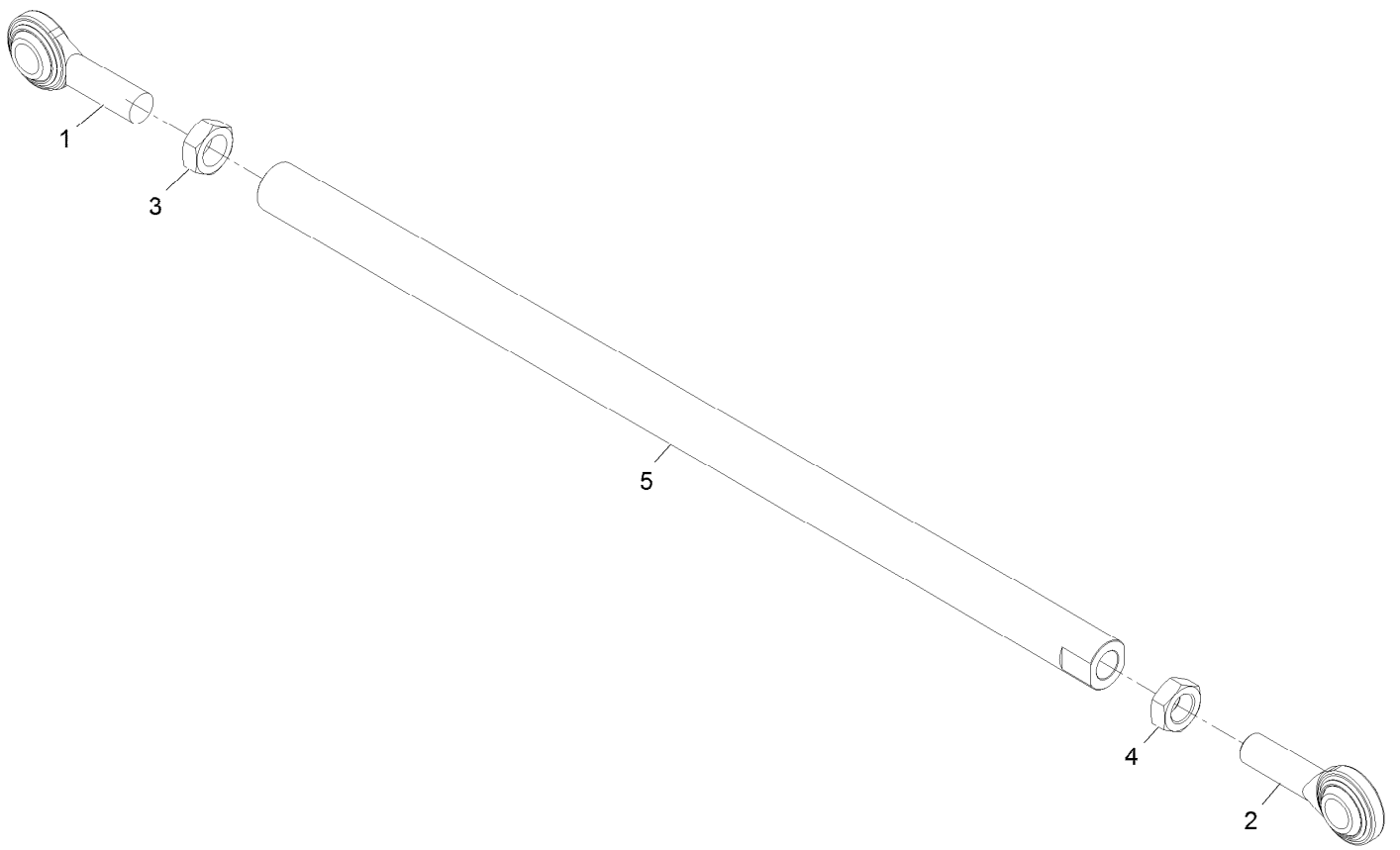
## Deck Lift Assembly

Ref.	Part Number	Qty.	Description	Ref.	Part Number	Qty.	Description
1	116-4638-01	2	Support-Bearing	22	116-0756	2	Deck Lift Chain ASM
2	109-9410	2	Bearing-Cross Shaft, Front	22:1	1-633447	1	Chain-Lift, Deck
3	116-3725-01	1	Rear Crossshaft ASM	22:2	109-9065	1	Screw-HH 7/16-14 X 2
4	116-3733-01	2	Cover-Bearing Support	22:3	32128-37	1	Nut-Whizlock 7/16-14
5	325-20	2	Screw-HH 1/2-13 X 6	23	109-9840	3	Screw-Hex Flange 3/8-16 X .80
6	99-5107	3	Nut-Lock 1/2-13	24	104-8301	4	Nut-Nyloc 3/8-16 Flg
7	100-1668	2	Screw-Flange	25	116-2909	3	Bearing-Flange
9	116-4663-01	1	Decklift Arm ASM-LH	26	116-3972-03	1	Link-Decklift, LH
10	116-4664-01	1	Decklift Arm ASM-RH	27	116-4661-03	1	Link-Decklift, RH
11	302-5	3	Zerk 1/4-28 Str Thrd Forming	28	3256-29	3	Washer-7/8 Sae
12	237-77	2	O Ring	29	32151-103	3	E-Ring
13	69-8910	2	Washer	30	116-5602	1	ASM-HOC Handle
14	32120-2	2	Ring-Retaining	31	116-4021	1	Bearing-HOC Pivot
15	109-9066	4	Yoke-Adjust, Deck	32	323-42	1	Screw-HH 3/8-16 X 3 3/4
16	3218-2	8	Nut-Jam 5/16-18	34	114-1878-03	1	Lever-HOC
17	3274-18	4	Screw-Sh 5/16-18 X 1 1/4	35	1-633268	1	Grip-Lever
18	116-2428	2	Bushing-Flanged	36	66-0561	1	Screw-Shoulder
19	3256-4	2	Washer-3/8 Std	37	3256-26	1	Washer-1/2 Sae
20	109-9065	2	Screw-HH 7/16-14 X 2	38	65-9940	1	Spring
21	32128-37	4	Nut-Whizlock 7/16-14	39	111044	2	Bushing



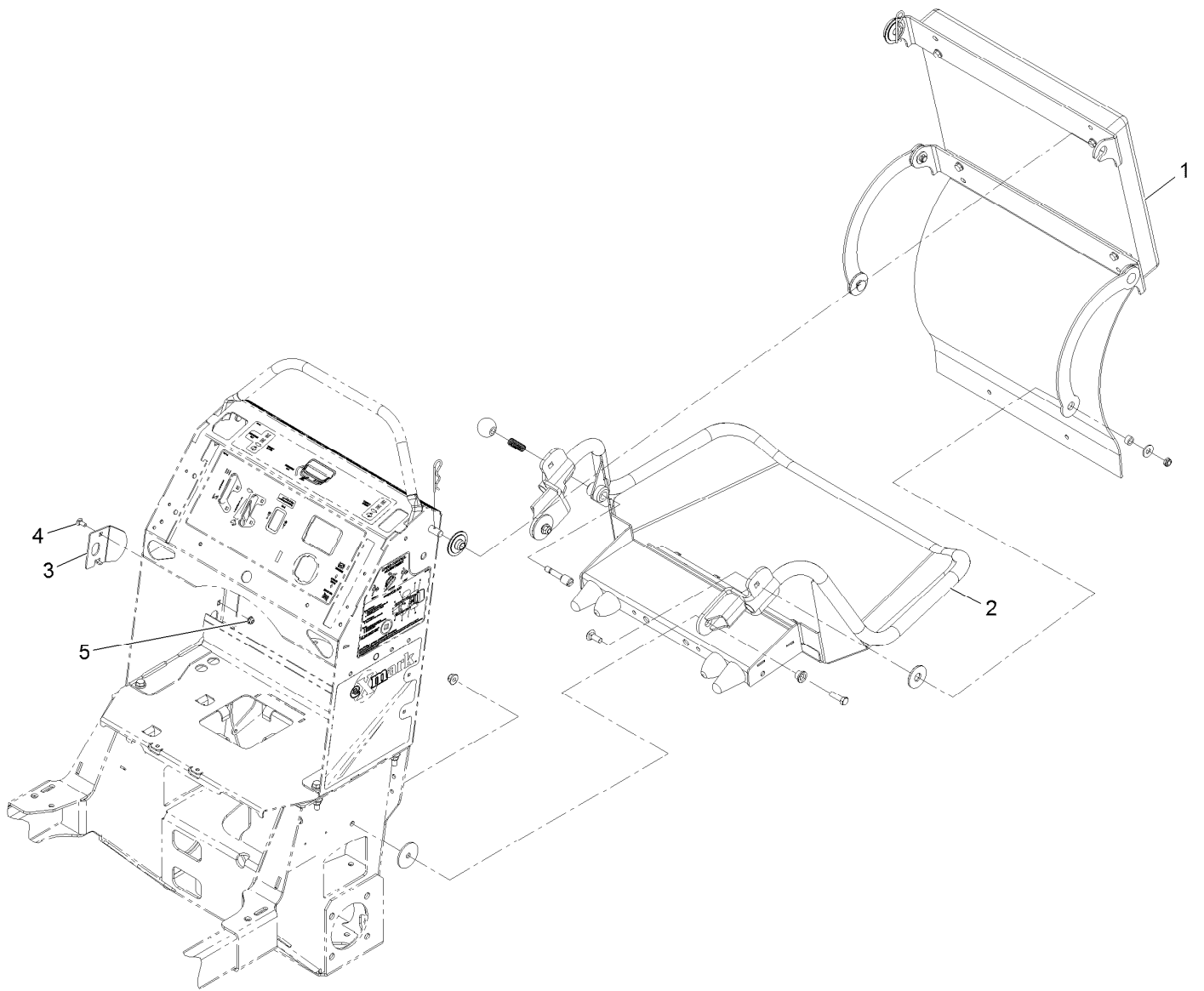
## Deck Lift Assembly (continued)

<i>Ref.</i>	<i>Part Number</i>	<i>Qty.</i>	<i>Description</i>	<i>Ref.</i>	<i>Part Number</i>	<i>Qty.</i>	<i>Description</i>
40	116-3971	1	Bracket-HOC	49	98-5975	1	Washer-Spring Disc 3/8
41	323-7	1	Screw-HH 3/8-16 X 1 1/4	50	323-58	1	Bolt-HH 3/8-16 X 6 Tap
42	3231-22	1	Bolt-Carriage 3/8-16 X 1	51	116-3124	1	Skid-Handle, Lift
43	3296-59	2	Nut-Nyloc 3/8-16 Thin	52	32144-11	2	Screw-HWH 5/16-18 X 3/4 Tf
44	116-3975	1	HOC Link ASM	53	116-4702	1	Bushing-Flanged
45	327-22	1	Screw-HH	54	325-8	1	Screw-HH 1/2-13 X 1 1/4
46	3296-53	2	Nut-Nyloc 5/8-11	55	3256-5	1	Washer-7/16 Std
47	327-29	1	Screw-HH				
48	116-0886	1	Extension Spring ASM				



## Height of Cut Link Assembly No. 116-3975

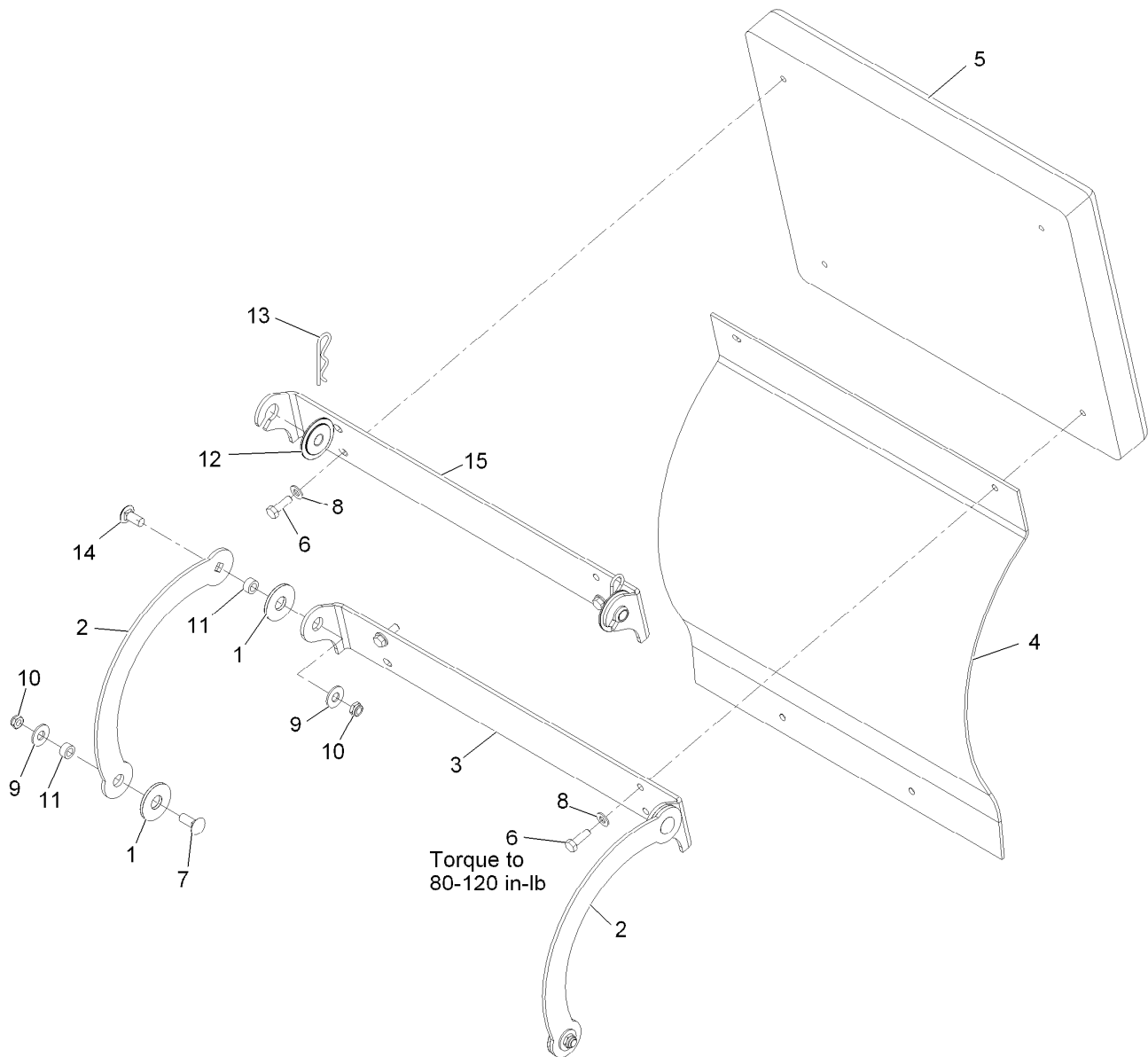
<i>Ref.</i>	<i>Part Number</i>	<i>Qty.</i>	<i>Description</i>
1	1-633029	1	Balljoint
2	117-5291	1	Balljoint-Spherical
3	3220-6	1	Nut-Jam
4	117-5293	1	Nut-Jam
5	116-5488	1	Link-Height Of Cut



## Platform Assembly

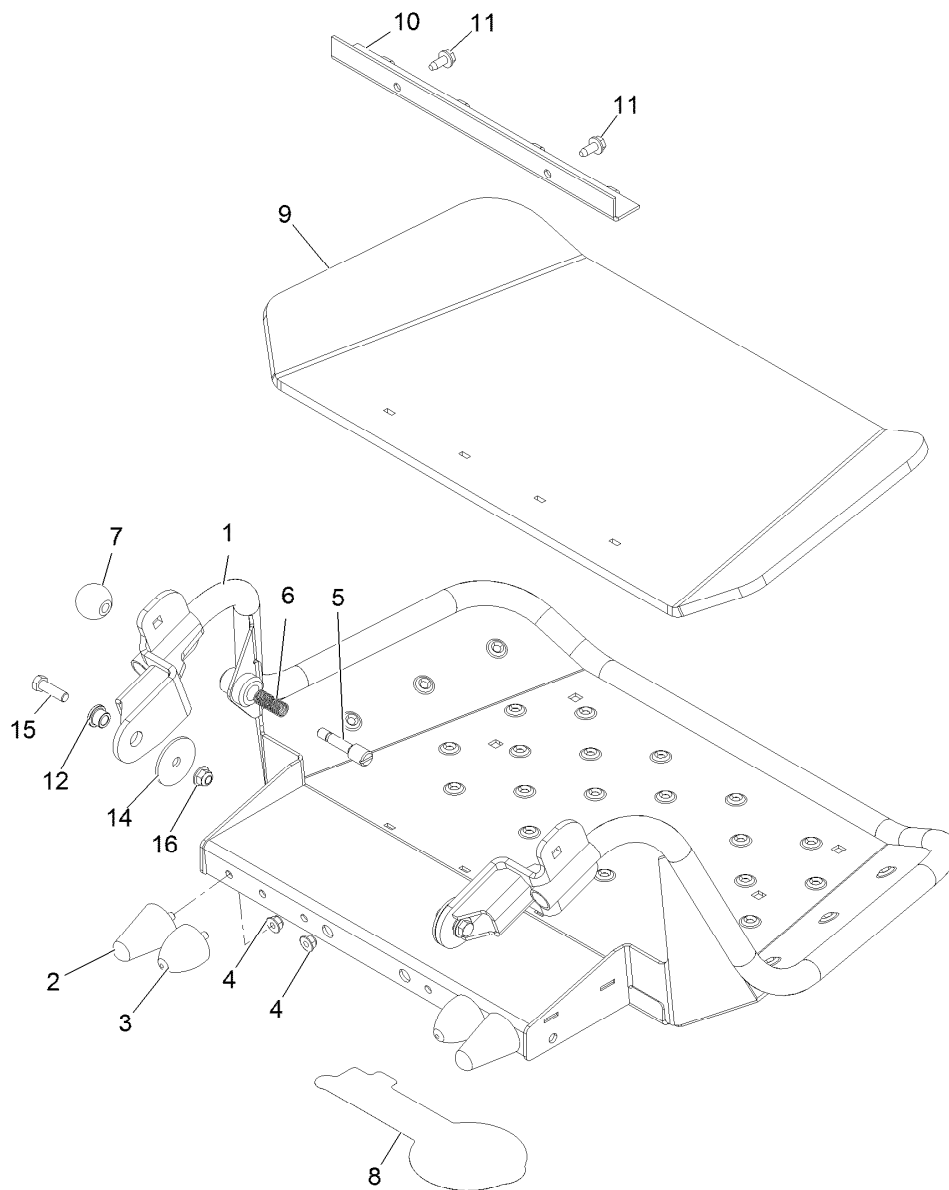
<i>Ref.</i>	<i>Part Number</i>	<i>Qty.</i>	<i>Description</i>
1	116-1803	1	Cushion ASM
2	116-3523	1	Platform ASM
3	119-7312	1	Plate-Striker
4	3229-11	1	Bolt-Carriage 1/4-20 X 5/8
5	104-7201	1	Nut-Nyloc 1/4-20 Flg





## Cushion Assembly No. 116-1803

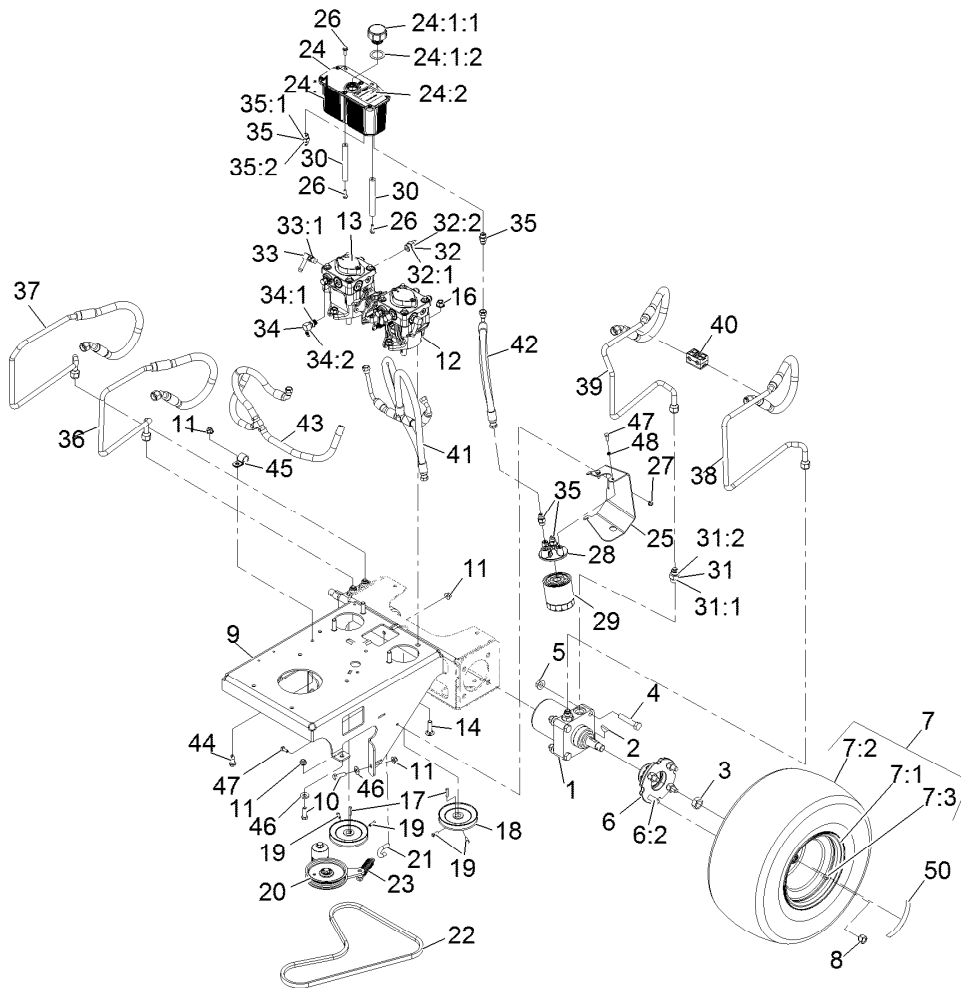
Ref.	Part Number	Qty.	Description
1	114-0463	4	Washer-Friction, Composite
2	114-1915-03	2	Link-Pad
3	116-2061-03	1	Hinge-Pad
4	116-3406	1	Shield-Rear
5	116-1790	1	Pad,Grey Cushion
6	116-0648	4	Screw-HH 5/16-18 X 1 W/Patch
7	3231-2	2	Bolt-Carriage 3/8-16 X 1
8	3256-23	4	Washer-5/16 Sae
9	3256-4	4	Washer-3/8 Std
10	3296-59	4	Nut-Nyloc 3/8-16 Thin
11	111044	4	Bushing
12	116-2886	2	Slide-Bushing
13	3290-355	2	Pin-Hair
14	3231-27	2	Bolt-Carriage 3/8-16 X 7/8
15	116-2757-03	1	Hinge-Pad



## Platform Assembly No. 116-3523

Ref.	Part Number	Qty.	Description
1	117-7660-03	1	Platform ASM
2	114-1925	2	Bumper-Rubber
3	114-1926	2	Bumper-Rubber
4	104-8300	4	Nut-Nyloc 5/16-18 Flg
5	119-8650	1	Pin-Latch ●
6	114-5348	1	Spring
7	1-603175	1	Knob-Ball
8	1-653546	1	Decal, Exmark
9	114-5349	1	Mat-Foot
10	114-1920-03	1	Clamp-Shield
11	32144-70	2	Screw-HWH 5/16-18 X 3/4 Tf
12	109-8788	2	Bushing-Flanged
14	83-1040	2	Washer
15	323-7	2	Screw-HH 3/8-16 X 1 1/4
16	104-8301	2	Nut-Nyloc 3/8-16 Flg

● Use Pro-Lock, Nut Type (P/N 1-840022, .5ml tube) on threads.



## Ground Drive Assembly

Ref.	Part Number	Qty.	Description
1	104-1171	2	HYD Motor ASM
2	3257-8	2	Key-Woodruff
3	85-7310	2	Nut-Motor, Wheel
4	325-10	8	Screw-HH 1/2-13 X 2 1/2
5	32128-23	8	Nut-Hex 1/2-13 Side Lock
6	105-0800	2	Wheel Hub ASM
6:2	10-6830	4	Stud-Type, Drive
7	116-4587	2	Wheel/Tire ASM
7:1	116-4605	1	Rim-8 Inch
7:2	116-4606	1	Tire
7:3	232-27	1	Stem-Valve
8	242-50	8	Nut-Lug 1/2-20
9	116-8745-01	1	Base, Engine [red]
10	323-18	4	Screw-HH
11	104-8301	6	Nut-Nyloc 3/8-16 Flg
12	116-2572	1	Pump - Hydraulic
13	116-4635	1	Pump-Hydraulic
14	3232-3	4	Bolt-Carriage 7/16-14 X 1 1/2
16	114-8417	4	Nut-HF, NI
17	1-807272	2	Key-5Mm X 5Mm X 25Mm
18	105-5648	2	Pulley-Pump ■
19	3241-5	4	Setscrew-SQH 1/4-20 X 5/8

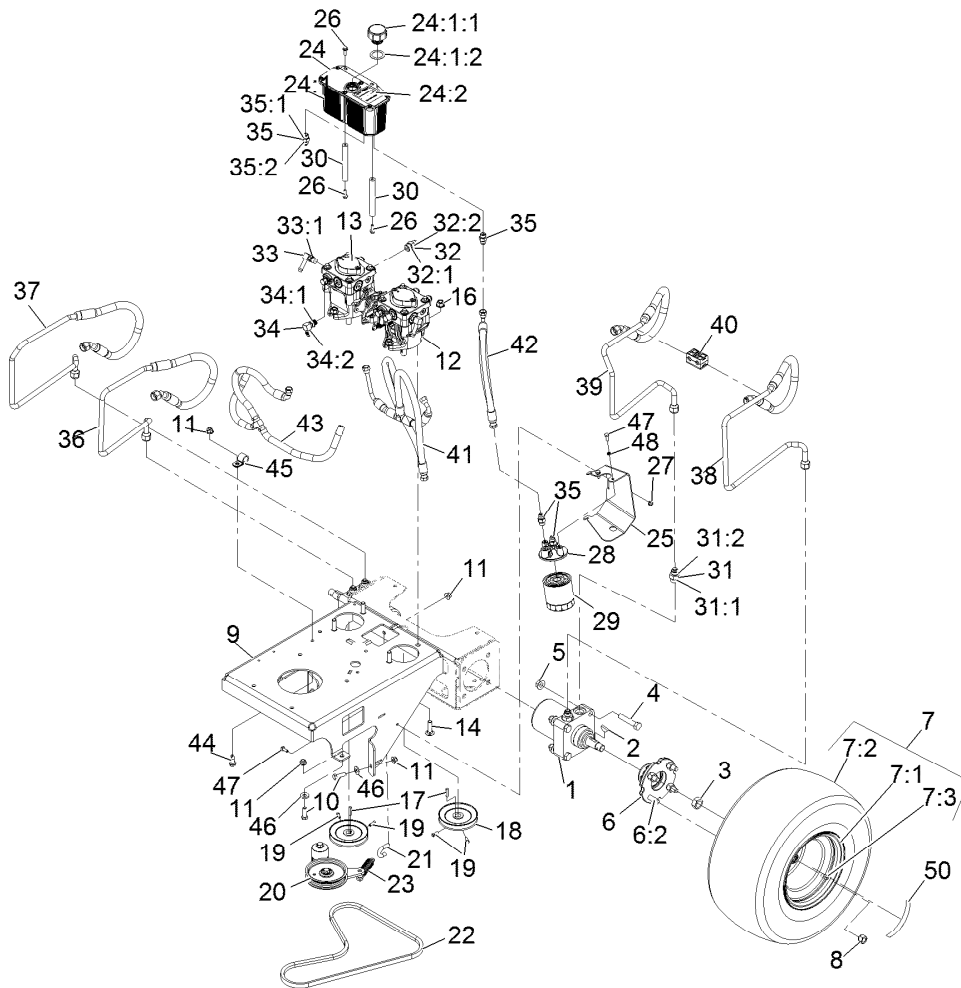
Ref.	Part Number	Qty.	Description
20		1	Pump Idler ASM ●
21	116-8526	1	Anchor, Spring
22	119-0174	1	Belt-V
23	108-4056	1	Spring-Extension
24	116-2066	1	ASM,Reservoir W/Decals ▲
24:1		1	Reservoir-HYD ●
24:1:1	103-1948	1	Cap-Reservoir, HYD
24:1:2	103-1949	1	Gasket-Cap
24:2	116-0404	1	Decal-Hydraulic Tank
25	116-4319-01	1	Plate-Filter Mount
26	117-8304	4	Screw-Hex Flange 1/4-20 X 3/4
27	104-7201	1	Nut-Nyloc 1/4-20 Flg
28	103-2888	1	Head-Filter
29	109-4180	1	Element, Oil Filter
30	116-4343	2	Rod-Reservoir Stand
31	1-603991	4	Adapter-Straight
31:1	237-80	1	O-Ring
31:2	1-603992	1	O-Ring-37 Flare #8
32	1-603990	4	Adapter-Straight
32:1	1-603920	1	O-Ring-Sae #8
32:2	1-603992	1	O-Ring-37 Flare #8
33	100-4887	2	Fitting-Barbed, 90 DEG
33:1	237-42	1	O-Ring

● Not serviced separately

▲ Use Exmark Premium Hydro Oil P/N 109-9828 (32oz)

◆ Use Pro-Lock, Nut Type (P/N 1-840022, .5ml tube) on threads.

■ Apply anti-seize compound in bore.



## Ground Drive Assembly (continued)

Ref.	Part Number	Qty.	Description
34	103-2155	2	Adapter-90°
34:1	1-603921	1	O-Ring-Sae #6
34:2	103-1020	1	O-Ring-37 Flare #6
35	103-2156	4	Adapter-Straight
35:1	1-603921	1	O-Ring-Sae #6
35:2	103-1020	1	O-Ring-37 Flare #6
36	116-5526	1	Hose-Hardline
37	116-5525	1	Hose-Hardline
38	116-5523	1	Hose-Hardline
39	116-5524	1	Hose-Hardline
40	116-5804	2	Clamp, Stauff 212,7/12,7 W/Retainers

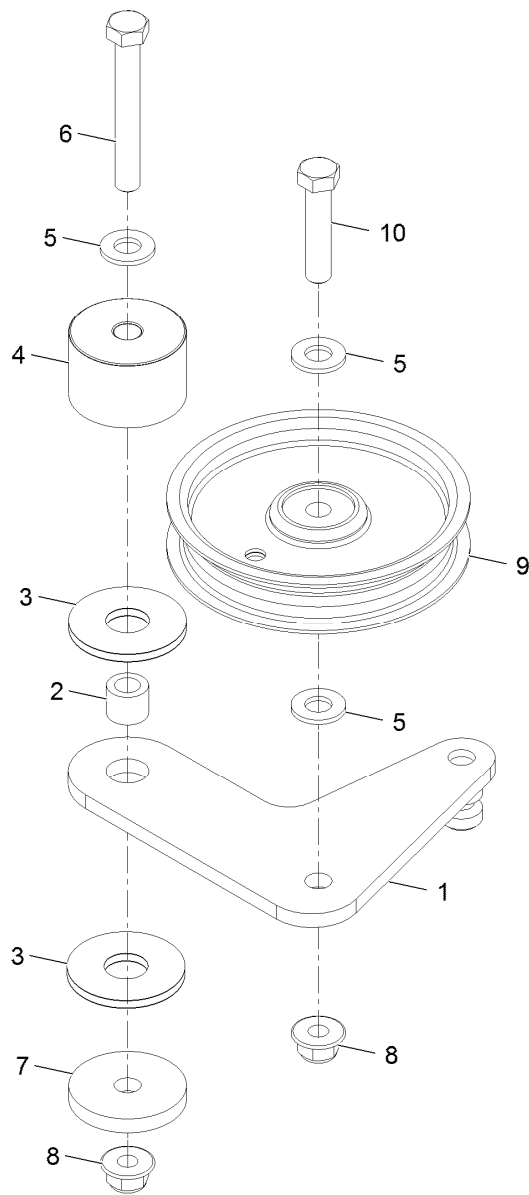
Ref.	Part Number	Qty.	Description
41	116-5145	1	Hose-ASM Charge
42	116-4252	1	Hose ASM-HYD LP 3/8X14.4
43	116-5460	1	Hose ASM - HYD 3/8
44	105-6245	1	Screw-Tapping
45	1-633396	1	Clip-Loom 5/8
46	98-5975	4	Washer-Spring Disc 3/8
47	321-3	3	Screw-HH 1/4-20 X 5/8
48	1-805004	2	Washer-Lock 1/4 Heavy
50	116-4181	2	Decal-Wheel Hub

● Not serviced separately

▲ Use Exmark Premium Hydro Oil P/N 109-9828 (32oz)

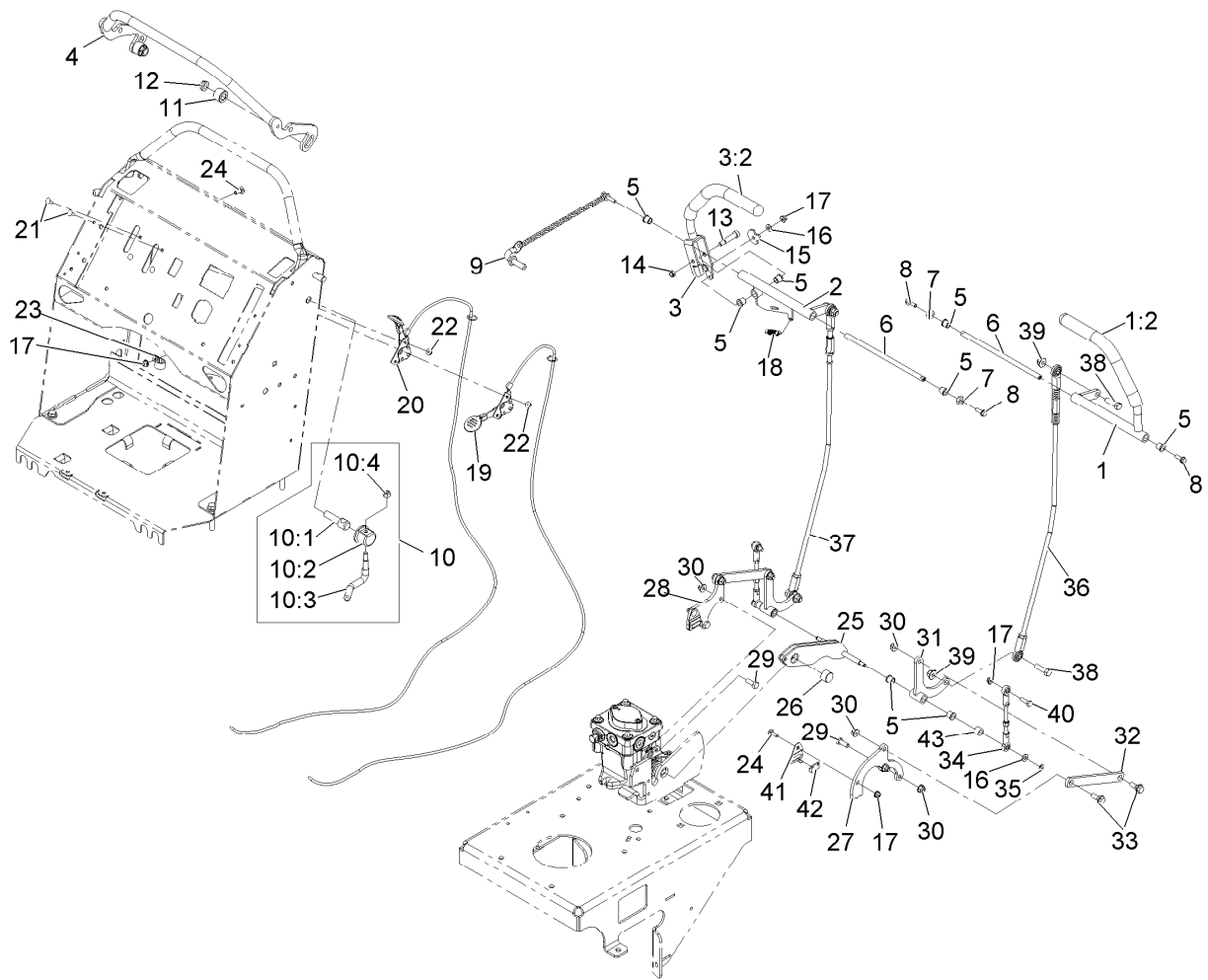
◆ Use Pro-Lock, Nut Type (P/N 1-840022, .5ml tube) on threads.

■ Apply anti-seize compound in bore.



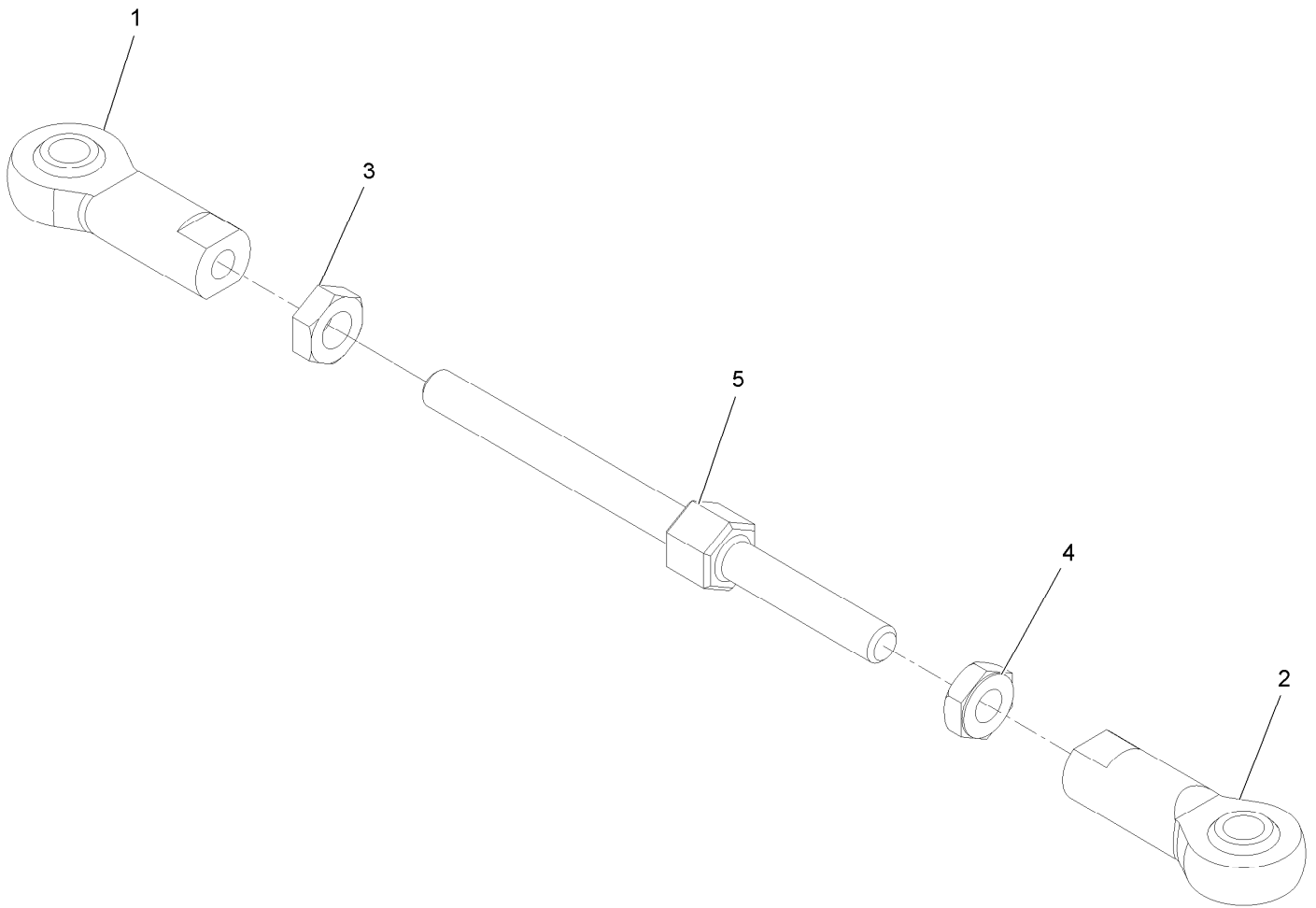
## Pump Idler Assembly No. 117-7685

<i>Ref.</i>	<i>Part Number</i>	<i>Qty.</i>	<i>Description</i>
1	117-7684	1	Idler Plate ASM
2	1-413088	1	Spacer
3	114-0463	2	Washer-Friction, Composite
4	116-7599	1	Hub, Idler
5	3256-24	3	Washer-3/8 Sae
6	323-13	1	Screw-HH 3/8-16 X 2 3/4
7	110-9981	1	Washer-Plain
8	104-8301	2	Nut-Nyloc 3/8-16 Flg
9	93-1622	1	Pulley-Idler
10	323-9	1	Screw-HH 3/8-16 X 1 3/4



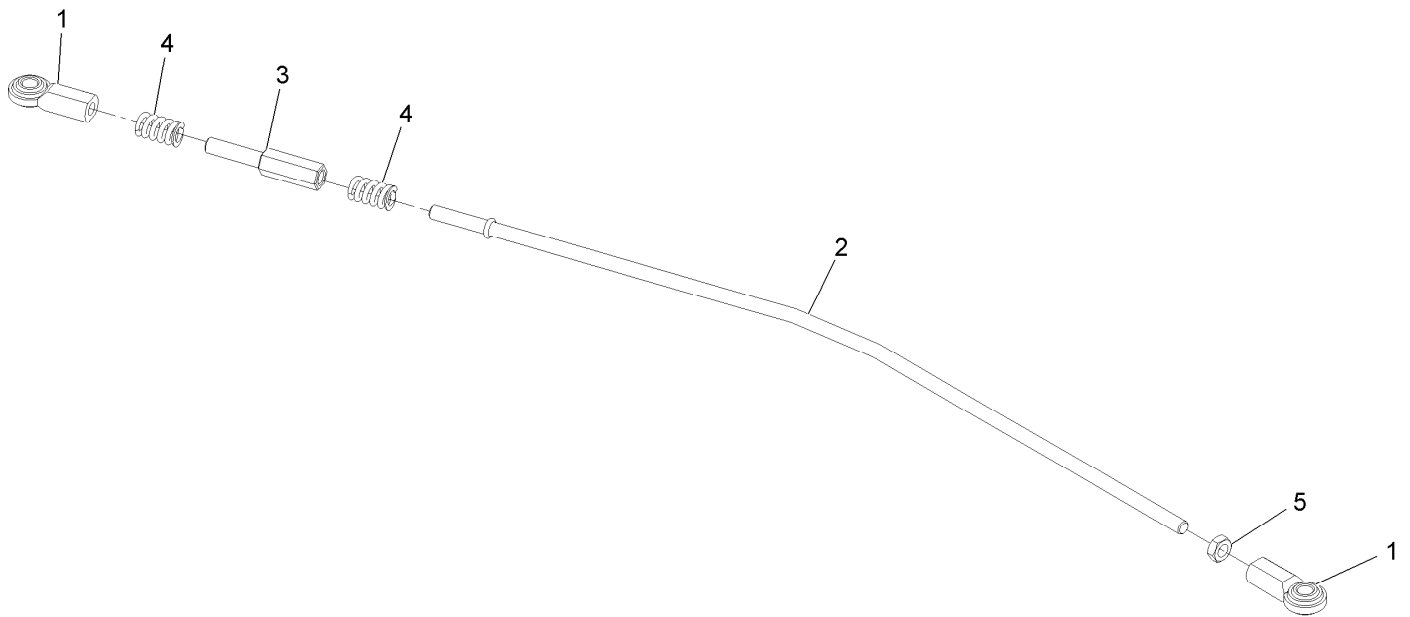
## Control Assembly

Ref.	Part Number	Qty.	Description	Ref.	Part Number	Qty.	Description
1	116-4195	1	Lever ASM, LH	20	116-4277	1	Control-Choke
1:2	116-2357	1	Grip-Handle, Control	21	1-807533	4	Bolt-Carriage #10-24 X 5/8
2	116-4196-03	1	Motion Control ASM, LH	22	3290-148	4	Nut-Whizlock #10-24
3	116-2356	1	Lever ASM, RH	23	2412-87	1	Clamp-Cable
3:2	116-2357	1	Grip-Handle, Control	24	3229-1	3	Bolt-Carriage 1/4-20 X 3/4
4	116-6985-03	1	Tube ASM, Front Speed Control [	25	116-4740	1	Bellcrank Link ASM
5	103-9928	10	Bearing	26	116-4203	1	Pin-Bellcrank Link Retaining
6	116-4197	2	Shaft-Pivot, Motion Control	27	116-4737	1	Arm-Pump Control
7	116-4198	2	Spacer-Drive Lever Shaft	28	116-7000	1	Arm-Pump Control RH
8	117-8304	3	Screw-Hex Flange 1/4-20 X 3/4	29	322-4	4	Screw-HH 5/16-18 X 7/8
9	114-0409	1	HOC Pin ASM	30	104-8300	8	Nut-Nyloc 5/16-18 Flg
10	107-1664	2	Lever ASM	31	116-4205	2	Bellcrank-Lower
10:1	106-3239	1	Screw-Lock	32	116-4208	2	Link-Bellcrank, Pump
10:2	107-1644	1	Cap-Lock	33	116-2670	4	Screw-Shoulder HHF 5/16-18 X .96
10:3	106-3241	1	Lever-Lock	34	116-4210	2	Vertical Adjust Link
10:4	3296-29	1	Nut-Nyloc 5/16-18	35	32151-86	2	E-Ring
11	116-2319	2	Spacer-Clamp	36	116-4213	1	Linkage-Tracking Control, LH
12	3296-45	2	Nut-Nyloc 1/2-13 Thin	37	116-4214	1	Linkage-Tracking Control, RH
13	114-0239	1	Screw-Shoulder 5/16-18 X 1/2	38	323-7	4	Screw-HH 3/8-16 X 1 1/4
14	3296-47	1	Nut-Nyloc 5/16-18 Thin	39	104-8301	4	Nut-Nyloc 3/8-16 Flg
15	114-0268	1	Cam-Lever	40	321-5	2	Screw-HH 1/4-20 X 7/8
16	3256-22	3	Washer-1/4 Sae	41	116-4739	2	Clamp-Switch
17	104-7201	6	Nut-Nyloc 1/4-20 Flg	42	116-2832	2	Actuator-Switch, Reed
18	114-0249	1	Spring-Extension	43	52-2480	2	Spacer-Wheel
19	116-4276	1	Control-Throttle				



## Vertical Adjust Link Assembly No. 116-4210

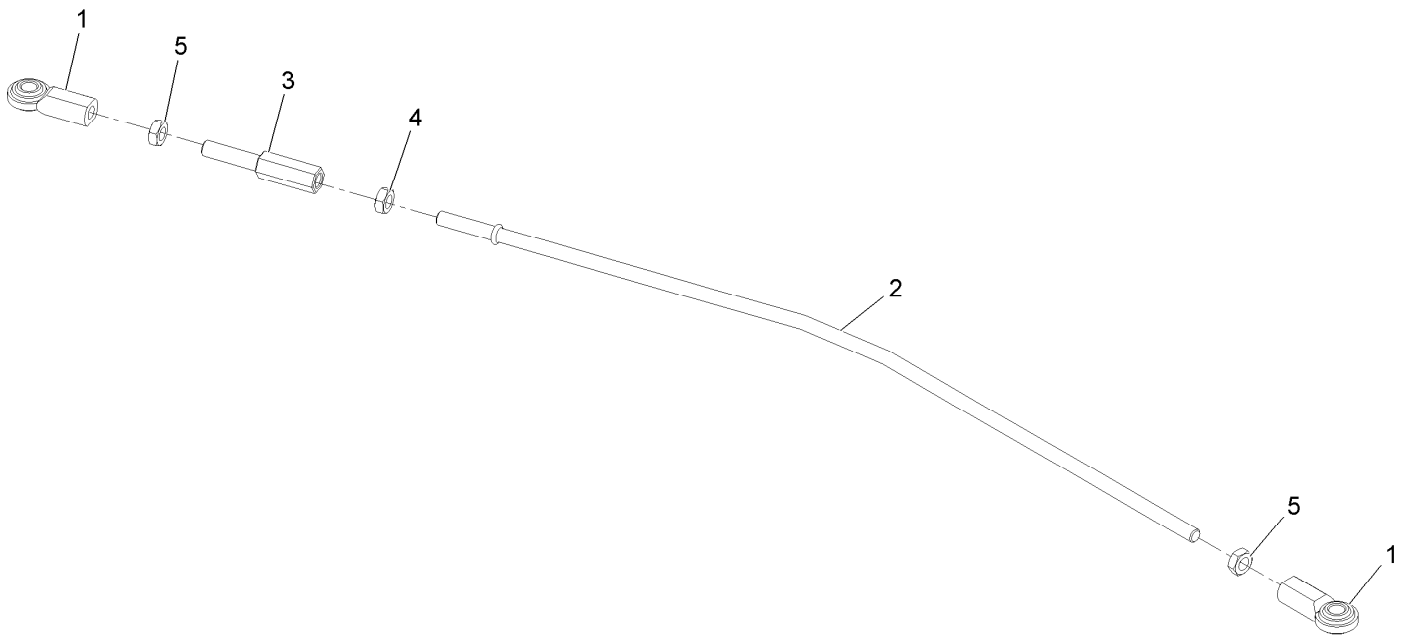
<i>Ref.</i>	<i>Part Number</i>	<i>Qty.</i>	<i>Description</i>
1	2411-41	1	Rod End-Ball Joint
2	104-4013	1	Joint-Ball, LH
3	3220-1	1	Nut-Jam 1/4-28
4	104-3941	1	Nut-Jam
5	116-4209	1	Rod-Vertical Adjust



## LH Tracking Control Linkage Assembly No. 116-4213

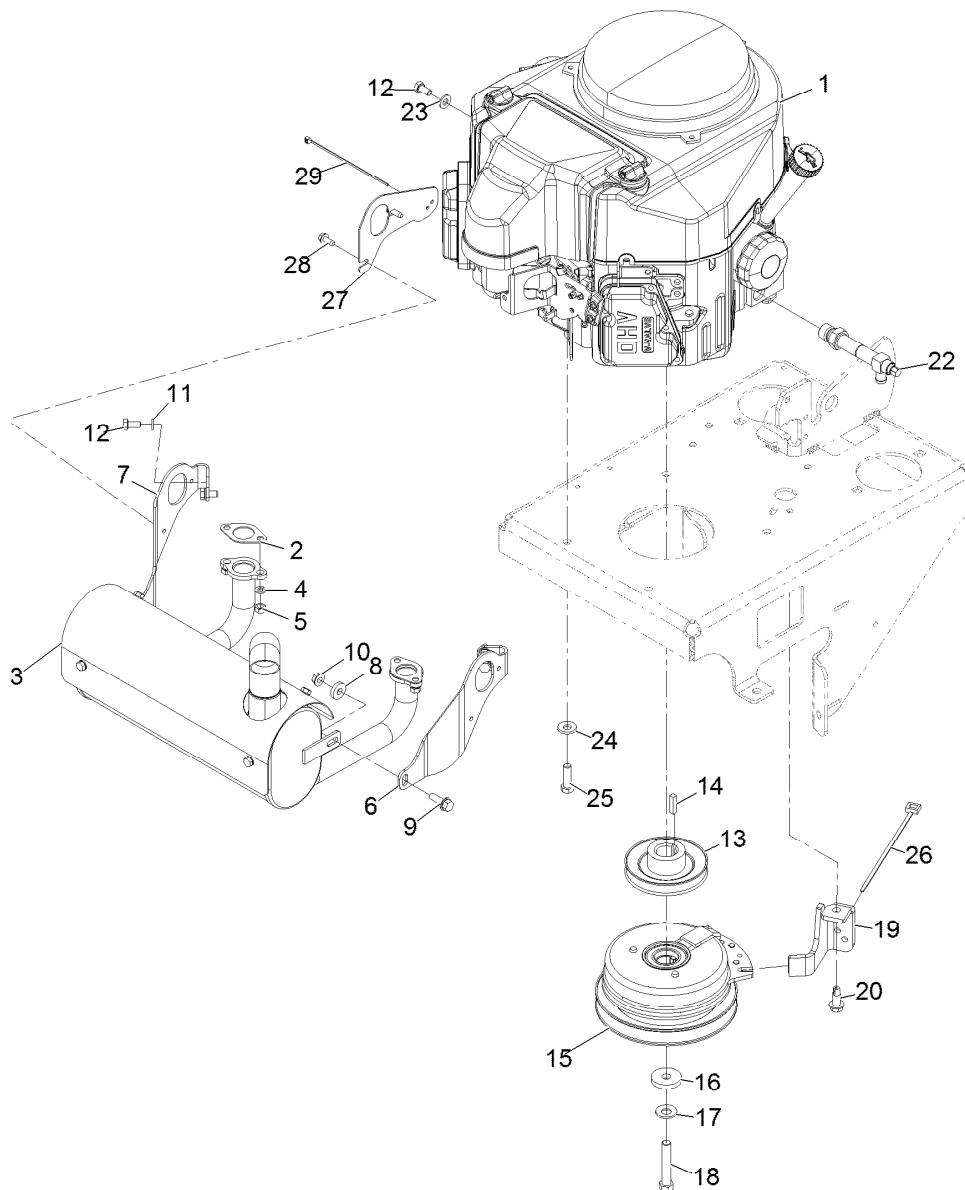
<i>Ref.</i>	<i>Part Number</i>	<i>Qty.</i>	<i>Description</i>
1	103-0608	2	Balljoint
2	116-4742	1	Link-Lower, Motion Control
3	116-4755	1	Rod-Adjustment
4	116-7560	2	Spring-Compression
5	3220-3	1	Nut-Jam 3/8-24





## RH Tracking Control Linkage Assembly No. 116-4214

<i>Ref.</i>	<i>Part Number</i>	<i>Qty.</i>	<i>Description</i>
1	103-0608	2	Balljoint
2	116-4742	1	Link-Lower, Motion Control
3	116-4755	1	Rod-Adjustment
4	3220-16	1	Nut-Jam 3/8-24 LH
5	3220-3	2	Nut-Jam 3/8-24



## Engine Assembly

Ref.	Part Number	Qty.	Description
1		1	Engine-Kawasaki, Fs541V ■◆
2	1-653313	2	Gasket-Exhaust
3	116-2351	1	Muffler
4	114-3550	4	Washer-Lock, Spring
5	114-3549	4	Nut-M8
6	116-4752	1	Bracket-Muffler Mount, LH
7	116-4750	1	Bracket-Muffler Mount, RH
8	104-7658	2	Spacer
9	3234-29	2	Screw-HH Flg 5/16-18 X 1
10	32128-25	2	Nut-Hex 5/16-18 Side Lock
11	3253-4	4	Washer-Lock 5/16
12	33114-016	5	Screw-HH M8-1.25 X 16Mm
13	116-3610	1	Pulley ▲
14	1-807259	1	Key-Machine 1/4 X 1/4 X 1

Ref.	Part Number	Qty.	Description
15	116-4395	1	Clutch-175 Ft-Lb ▲
16	107-4136	1	Washer
17	1-603610	1	Washer-Spring Disc 7/16
18	3212-10	1	Screw-HH 7/16-20 X 2 1/2 ○
19	116-3565-01	1	Anchor-Clutch
20	105-6245	1	Screw-Tapping
22	116-6126	1	Valve-Drain Oil □
23	33094-00	1	Washer
24	98-5975	4	Washer-Spring Disc 3/8
25	323-7	4	Screw-HH 3/8-16 X 1 1/4
26	3290-378	1	Tie-Cable
27	116-4751	1	Guard-Cable, Spark Plug
28	32144-10	2	Screw-HWH 1/4-20 X .62
29	1-303287	1	Tie-Cable 5 1/2 (Small)
99	103-1964	1	Hose-Drain, Oil ●

● Not illustrated

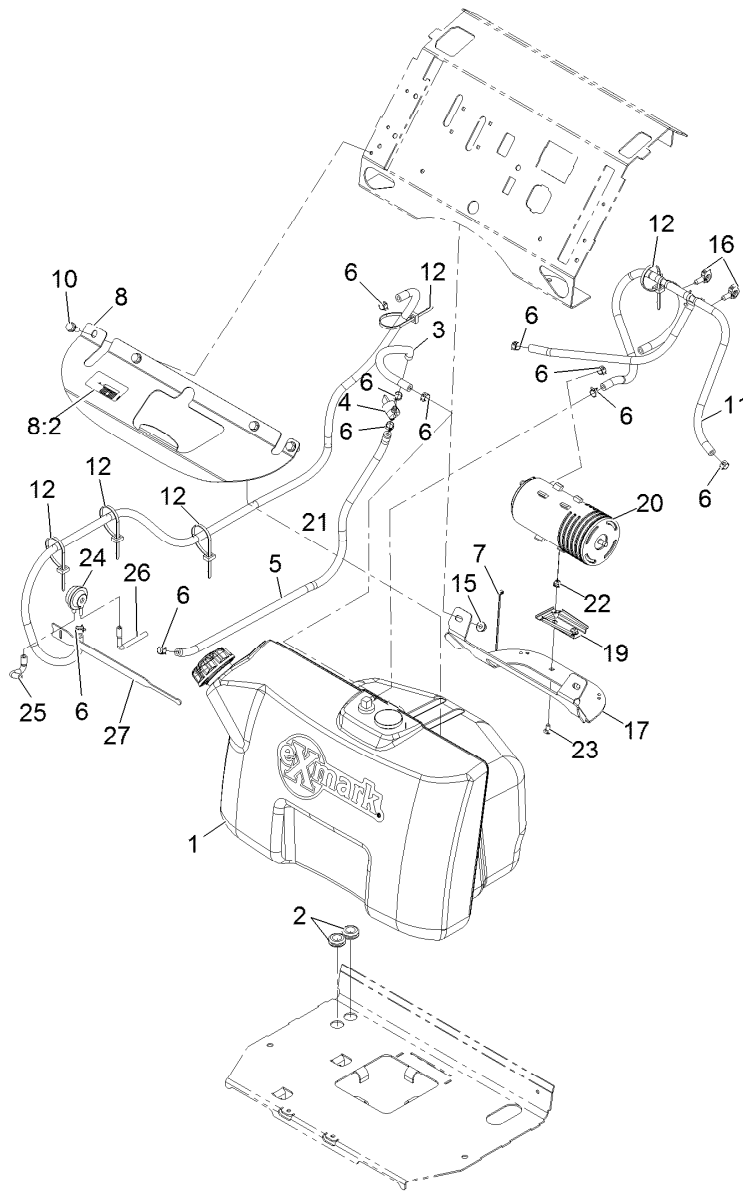
▲ Apply anti-seize compound in bore.

□ Use a Teflon Pipe Sealant or equivalent on threads.

○ Use Pro-Lock, Nut Type (P/N 1-840022, .5ml tube) on threads.

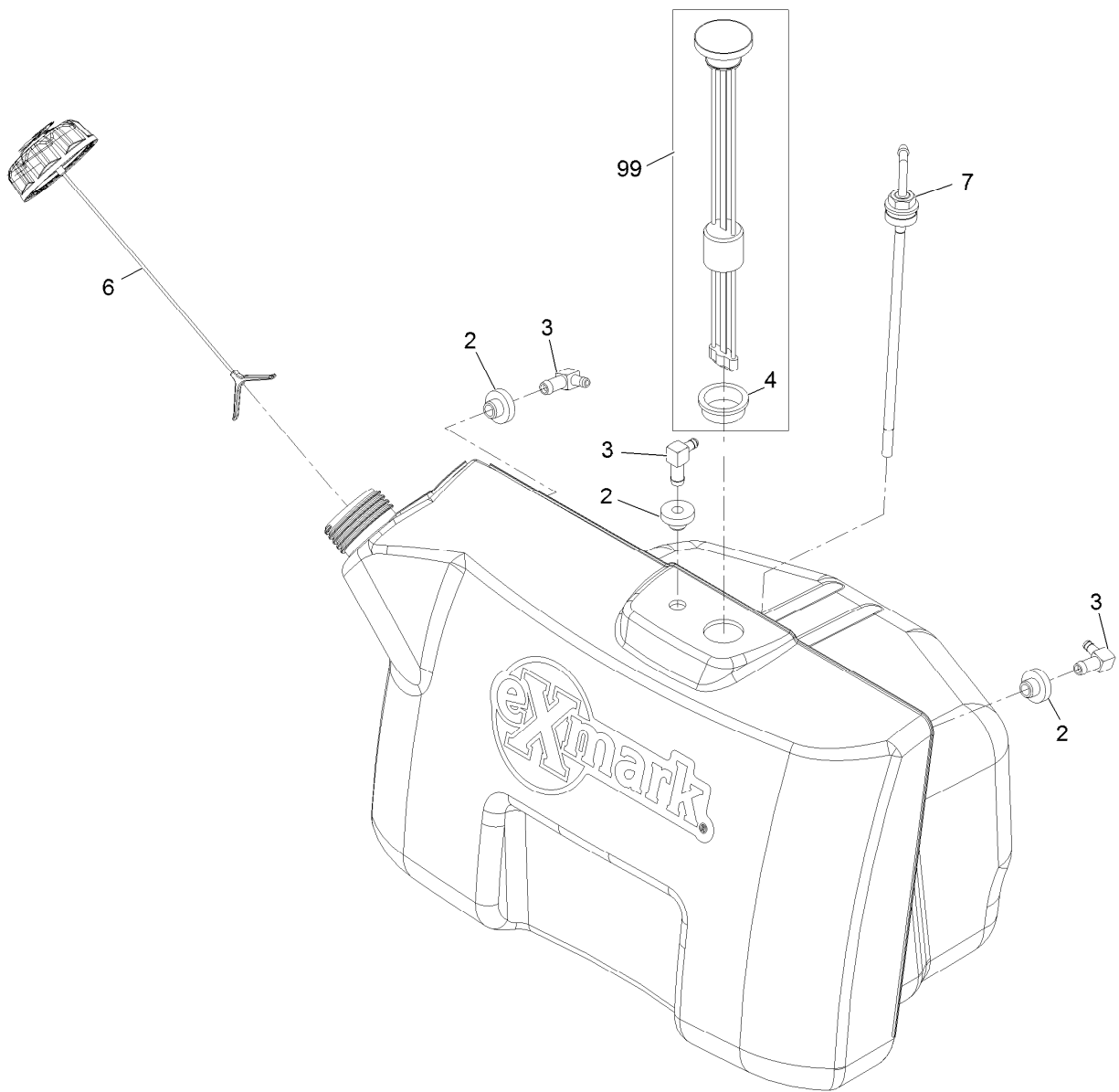
■ Not serviced separately

◆ Obtain parts from [www.kawpowerepc.com](http://www.kawpowerepc.com)



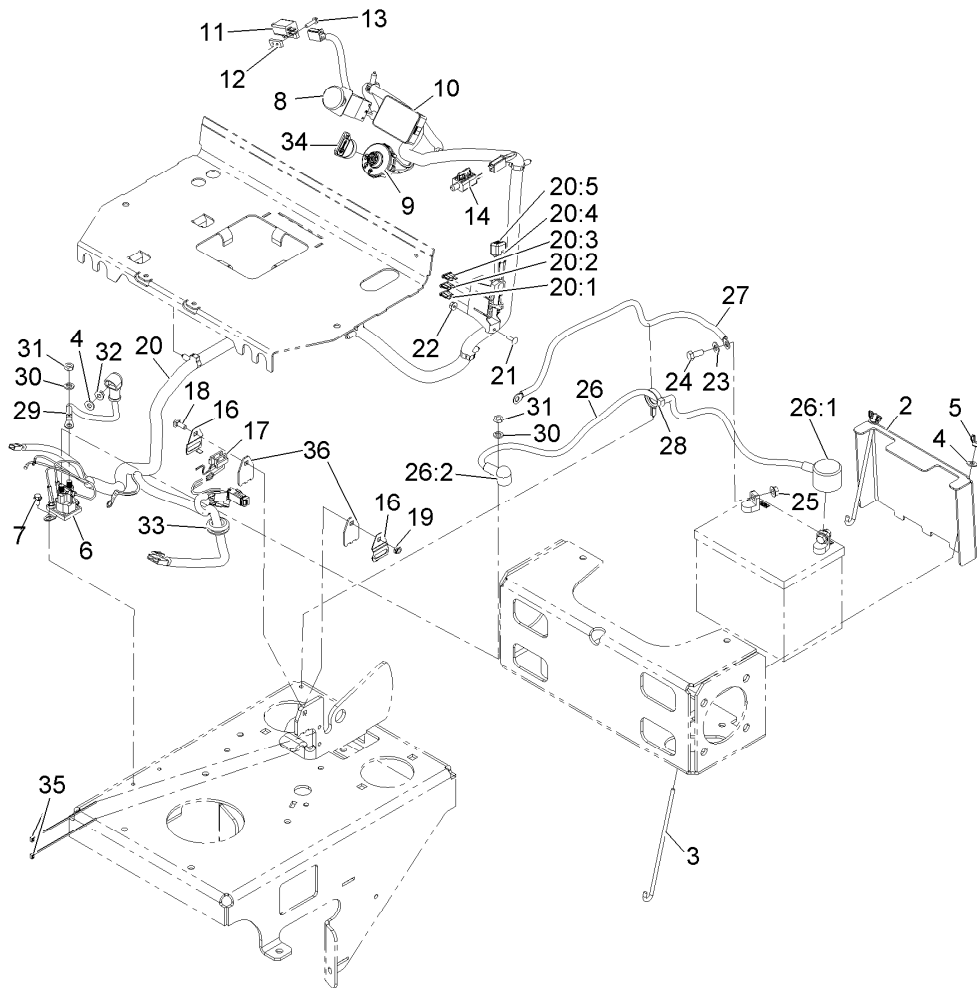
## Fuel Tank Mounting Assembly

<i>Ref.</i>	<i>Part Number</i>	<i>Qty.</i>	<i>Description</i>	<i>Ref.</i>	<i>Part Number</i>	<i>Qty.</i>	<i>Description</i>
1	116-4577	1	Tank ASM- Exmark	16	32180-040	2	Clip-Harness
2	112-7069	2	Grommet	17	116-5055-03	1	Bracket, Carb Canister
3	107-9297	1	Hose-Fuel	19	114-0292	1	Bracket-Canister, Carbon
4	1-603770	1	Valve-Fuel	20	117-1221	1	Canister-Carbon, 800Cc
5	110-1872	1	Hose-Fuel	21	116-5053	1	Hose-Fuel .25 X 60.00, J30R7
6	2412-98	10	Clamp-Hose	22	104-7201	2	Nut-HF
7	1-303287	1	Tie-Cable	23	116-5879	2	Screw-CARR
8	116-3088	1	Bracket-Tank	24	116-2232	1	Valve-Control, Vacuum
8:2	116-3290	1	Decal-Fill, Fuel	25	119-8502	1	Hose-Vent, Formed
10	32144-70	4	Screw-HWHTF	26	119-8501	1	Hose-Vent, Formed
11	116-5054	1	Vent ASM	27	116-2469	1	Strap-Velcro, Cable Tie
12	3290-378	5	Tie-Cable				
15	104-8300	2	Nut-Flange, NI				



## Fuel Tank Assembly No. 116-4577

<i>Ref.</i>	<i>Part Number</i>	<i>Qty.</i>	<i>Description</i>
2	46-6560	3	Bushing
3	1-643172	3	Elbow-90 DEG
4	95-8972	1	Grommet
6	116-1704	1	Cap-Fuel, Ratcheting
7	116-3408	1	Fitting-Fuel, Bulkhead
99	116-7264	1	Kit, Vantage Fuel Gage Replacement



## Electrical Assembly

Ref.	Part Number	Qty.	Description	Ref.	Part Number	Qty.	Description
2	116-4756-01	1	Cover-Battery	20:3	218-578	1	Fuse-Blade, 10 Amp
3	1-633651	2	Bolt-Holddown	20:4	116-0053	1	Cap-Plug
4	3256-22	3	Washer-1/4 Sae	20:5	103-3895	1	Diode-Tvs
5	1-543792	2	Wingnut-Nyloc 1/4-20	21	3229-20	2	Screw-CARR
6	117-1197	1	Solenoid	22	3290-148	2	Nut-Whizlock #10-24
7	32144-4	2	Screw-HWH 1/4-20 X 1/2 Taptite	23	3256-23	2	Washer-5/16 Sae
8	114-0279	1	Switch-PTO	24	322-3	2	Screw-HH 5/16-18 X 3/4
9	117-2222	1	Switch-Ignition	25	109-5715	2	Nut-Hex Flange 5/16-18
10	117-3886	1	Module-Hour Meter	26	109-7608	1	ASM,Positive Battery Cable
11	1-513152	1	Switch-N.C.	26:1	109-2407	1	Insulator-Battery
12	1-633181	1	Plate-Tapped	26:2	1-543393	1	Insulator-Solenoid
13	32105-13	2	Screw-HWH #10-24 X 3/4	27	54-3093	1	Cable-Battery, Negative
14	119-8231	1	Switch-Plunger, Nc, Spst	28	105-1853	1	Clamp-Hose
16	116-4739	2	Clamp-Switch	29	106-8268	1	Cable-Battery, Red
17	116-2833	1	Harness-Switch, Reed	30	3253-4	2	Washer-Lock 5/16
18	3229-1	1	Bolt-Carriage 1/4-20 X 3/4	31	3220-2	2	Nut-Jam 5/16-24
19	3296-56	1	Nut-Nyloc 1/4-20 Thin	32	32128-33	1	Nut-Whizlock 1/4-20
20	116-4758	1	Harness-Wire ●	33	117-2781	1	Grommet
20:1	109103	1	Fuse-Blade, 30 Amp	34	103-2106	1	Key-Exmark Logo
20:2	109102	1	Fuse-Blade, 25 Amp	35	1-303287	3	Tie-Cable 5 1/2 (Small)
				36	116-4388	2	Plate-Spacer

● Use dielectric grease on all unsealed connectors and terminals only. Do not apply in sealed connectors.

**Notes:**

## MAXIMIZE THE PERFORMANCE OF YOUR EXMARK.

### **4-CYCLE PREMIUM ENGINE OIL**

Part No. 116-3373

Both SAE 30 and SAE 10W-30 in one bottle.

Contains increased levels of zinc and phosphorus for better lubricity.

No Viscosity Index Improvers that tend to shear down in high heat.

Synthetic formulation.

Gas & Diesel compatible.

Anti-corrosion additives.

API 'SL' and JASO rated with wet clutch compatibility for other machines.

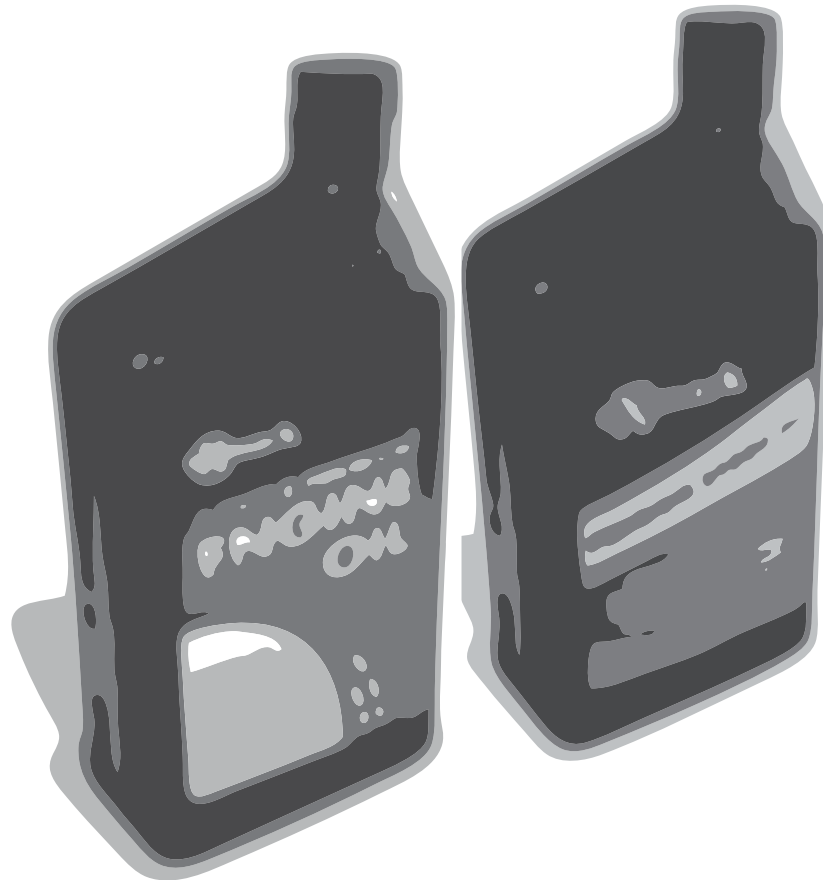
### **PREMIUM HYDRO OIL**

Part No. 109-9828

Commercial quality for tough, high-heat conditions.

Designed specifically for zero-turn mower hydraulic systems.

Superior shear resistance under heavy loads.



Available from your local Exmark dealer. Find your closest dealer at [exmark.com](http://exmark.com)

## EXMARK ACCESSORIES AND OPTIONS\*

### MID-MOUNT RIDING ACCESSORIES AND OPTIONS

CUSTOM RIDE SEAT SUSPENSION SYSTEM	OPERATOR CONTROLLED DISCHARGE
FULL SUSPENSION SEAT	SUN SHADE
DECK LIFT ASSIST KIT	TRASH CONTAINER
HITCH KIT	TURF STRIPER
LIGHT KIT	ULTRA VAC COLLECTION SYSTEM
12V POWER PORT	ULTRA VAC QUICK DISPOSAL SYSTEM
MICRO-MULCH SYSTEM	

### OUT-FRONT RIDING ACCESSORIES AND OPTIONS

CUSTOM RIDE SEAT SUSPENSION SYSTEM	SNOW BLADE
DUAL-TAIL WHEEL	SNOWBLOWER
FLOOR PAN EXTENDER	SUN SHADE
HITCH KIT	TRASH CONTAINER
LIGHT KIT	ULTRA VAC COLLECTION SYSTEM
MICRO-MULCH SYSTEM	ULTRA VAC QUICK DISPOSAL SYSTEM
ROLL OVER PROTECTION SYSTEM (ROPS)	WEATHER CAB

### WALK-BEHIND ACCESSORIES AND OPTIONS

GRASS CATCHER	TURF STRIPER
MICRO-MULCH SYSTEM	STANDON

\*Some accessories and options not available for some models.

Place Model No. and Serial No.  
Label Here (Included in the Literature  
Pack) or Fill in Below

Model No. \_\_\_\_\_

Serial No. \_\_\_\_\_

Date Purchased \_\_\_\_\_

Engine Model No. and Spec. No. \_\_\_\_\_

Engine Serial No. (E/No) \_\_\_\_\_

© 2012 Exmark Mfg. Co., Inc.  
Industrial Park Box 808  
Beatrice, NE 68310  
All Rights Reserved

Part No. 4501-456 Rev. A  
(402) 223-6300  
Fax (402) 223-5489  
Printed in the USA.

