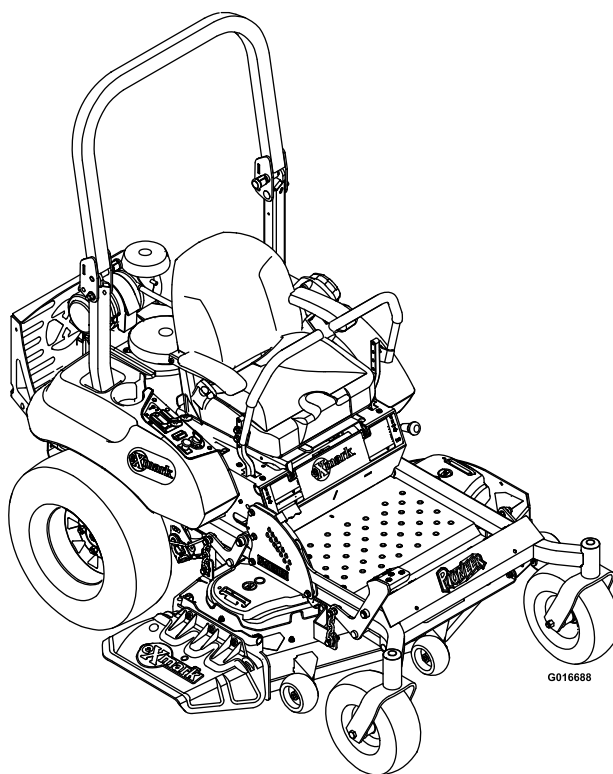




PIONEER® S-SERIES

Model No. PNS651KA483—Serial No. 31300000 and Up

Picture below may not reflect actual product.



Parts Manual

Ordering Replacement Parts

To order replacement parts, please supply the part number, the quantity, and the description of each part desired.

Understanding Reference Numbers

Each identified part in an illustration has a reference number. The reference number for a part also appears in the parts list, along with other information about the part.

This catalog uses two special reference number formats, one to indicate parts in a service assembly and another to indicate the quantity of a given part in an illustration.

Service Assembly Reference Numbers

Parts in service assemblies have reference numbers in the form a:b. The a represents the reference number of the entire service assembly and the b represents a sequential number unique to each part within the service assembly.

For example, a wheel assembly might be identified by reference number 6, the tire by 6:1, the valve by 6:2, and the wheel by 6:3. When you order the assembly identified by reference number 6, you receive all parts identified by reference numbers 6:1, 6:2, and 6:3. However, you may also order any part individually. Reference numbers of this type appear in illustration and in parts lists.

Reference Numbers Indicating Quantity

In an illustration, if a reference number indicates more than one part, the reference number has the form nX y. The n represents the quantity of the part, the X is the multiplication symbol, and the y represents the reference number.

For example, in an illustration, the reference number 2X 37 means that two of the parts identified by reference number 37 are indicated.

List of Abbreviations

AR: as required	HJ: hex jam	PRH: phillips round head
ASM: assembly	HLH: hex lag head	PTH: phillips truss head
BBC: blade brake control	HOC: height-of-cut	PTO: power-take-off
BHTF: button head thread forming	HSBH: hex socket button head	RH: right hand
CARR: carriage	HSFH: hex socket flat head	ROPS: roll-over protection system
CCW: counter clockwise	HSH: hex socket head	RRB: rear roller brush
CW: clockwise	HWH: hex washer head	SFH: slotted fillister head
DEG: degrees	HWHTF: hex washer head thread forming	SHH: slotted hex head
DPA: Dual Point Adjustment	HYD: hydraulic	SHWH: slotted hex washer head
ECM: electronic control module	LH: left hand	SPH: slotted pan head
EXT: external	LP: Liquefied Petroleum Gas	SQH: square head
FH: flat head	LPG: Liquefied Petroleum Gas	SRH: slotted round head
GA: gauge	NI: nylon insert	STD: standard
HD: heavy-duty	NPTF: national pipe thread fine	TAP: self tapping
HF: hex flange	PFH: phillips flat head	TTH: torx truss head
HH: hex head	PPH: phillips pan head	
HHF: hex head flange	PPHTF: phillips pan head thread forming	
HHFTF: hex head flange thread forming		

Touch Up Paint

Exmark black touch up spray paint – gloss black.

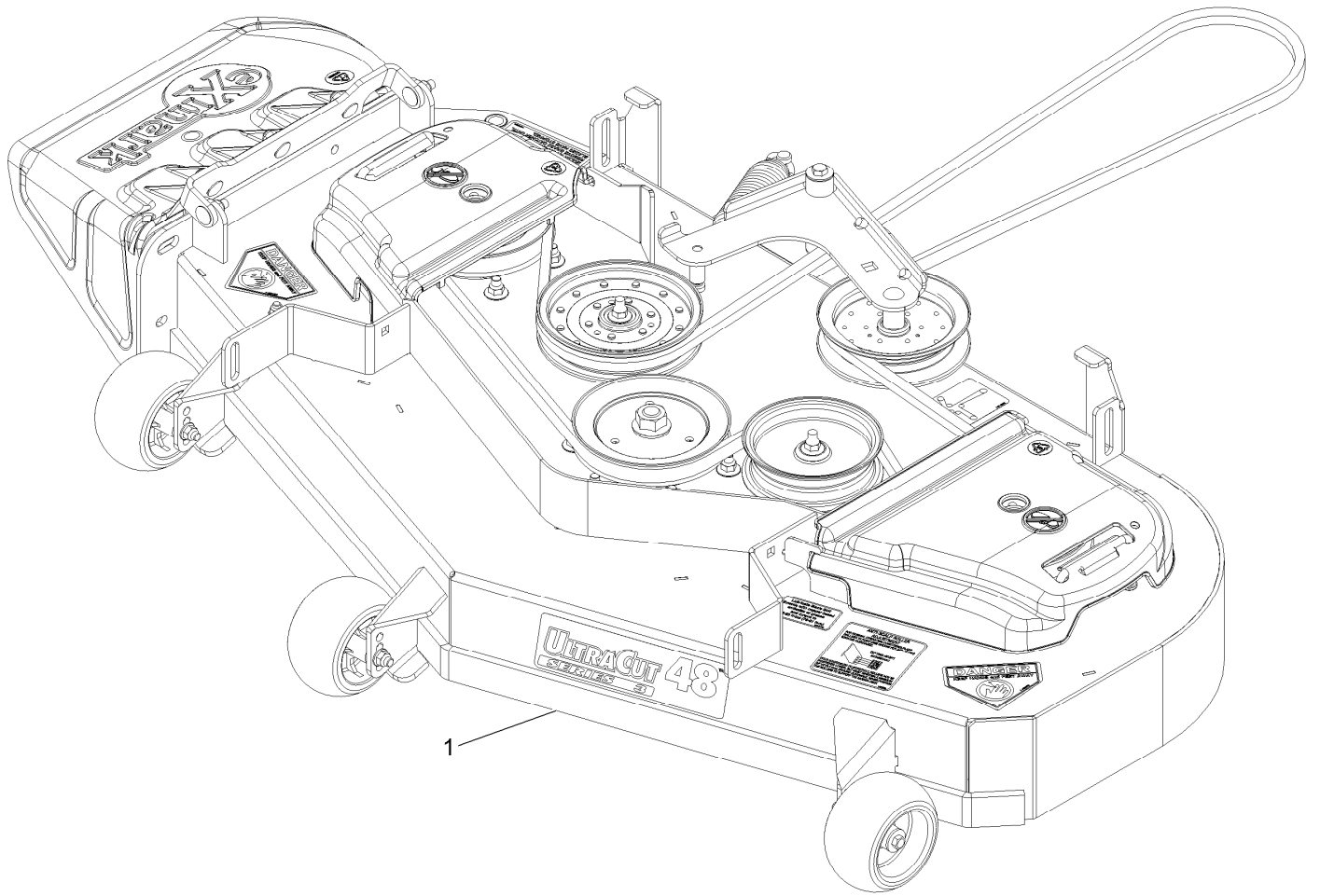
Exmark red touch up paint (spray paint – P/N 1-850337 - .6 oz liquid bottle – P/N 103-9140).



If your Exmark dealer does not have the Exmark part in stock, Exmark will get the parts to the dealer the next business day or the part will be FREE Guaranteed!! (Some restrictions apply. See your participating Exmark Dealer for details.)

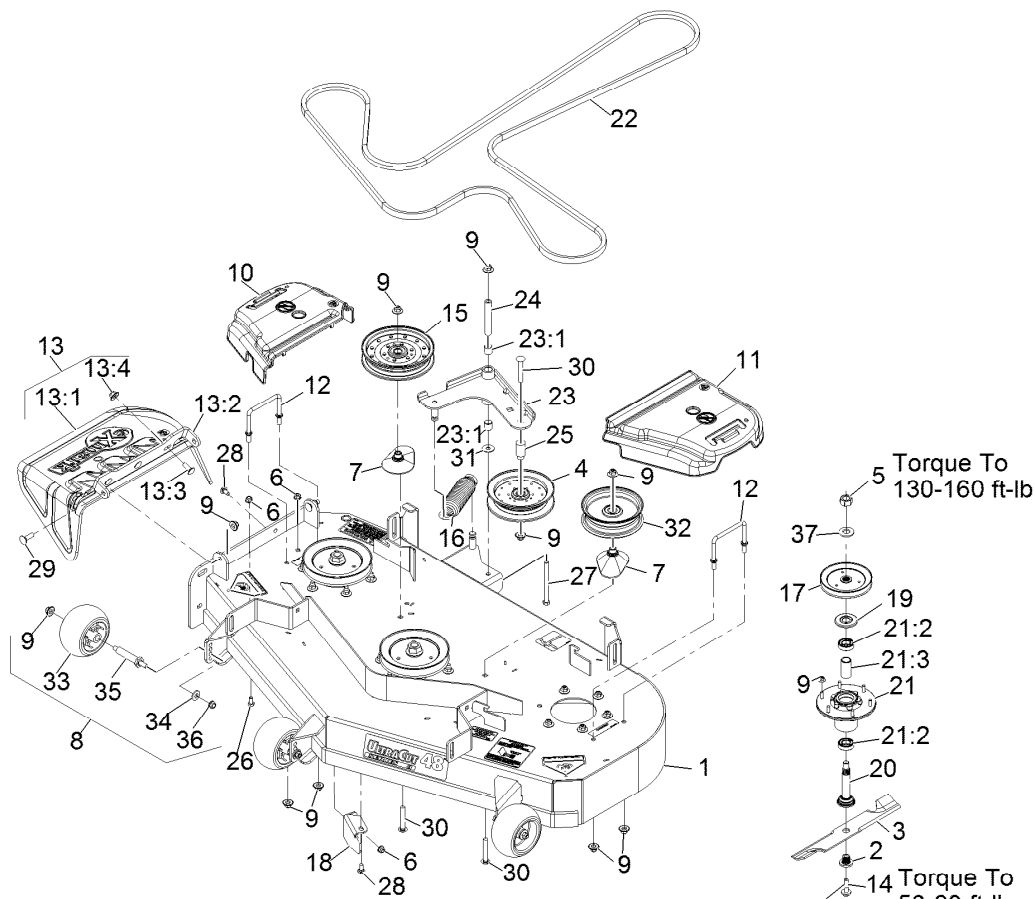
Contents

Complete Deck Assembly No. 116-4811	4
Deck Assembly	5
Deck W/Decals Assembly No. 116-3195	6
Main Frame Assembly	7
Mainframe W/Decals Assembly No. 116-6831	8
Caster Wheel Assembly No. 103-5189	9
Roll-Over Protection System Assembly No. 116-3498	10
Deck Lift Assembly	11
Motion Control Assembly	12
Motion Control Assembly - LH	13
Motion Control Assembly - RH	14
Seat Assembly	15
Seat W/Tracks Assembly No. 116-6192	16
Controls Assembly	17
Fuel Tank Mounting Assembly	18
Fuel Tank Assembly No. 116-4610	19
Engine Assembly	20
Hydraulic Assembly	21
Transaxle Assembly	22
Electrical Assembly	23



Complete Deck Assembly No. 116-4811

<i>Ref.</i>	<i>Part Number</i>	<i>Qty.</i>	<i>Description</i>
1	116-4811	1	ASM-Deck Complete 483

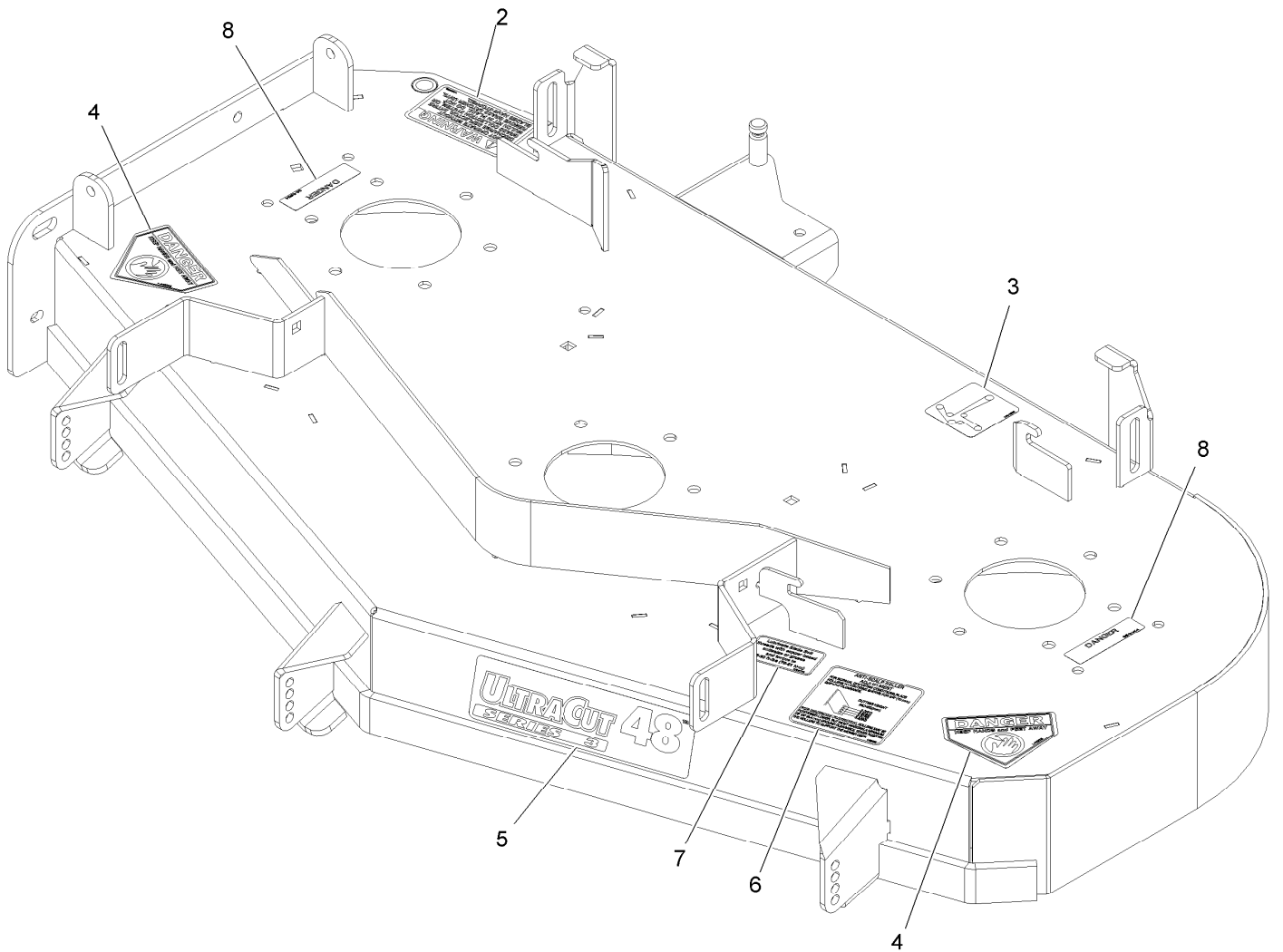


Apply lubricant to threads as needed to prevent seizing. Copper based anti-seize preferable. Grease is an acceptable substitute.

Deck Assembly

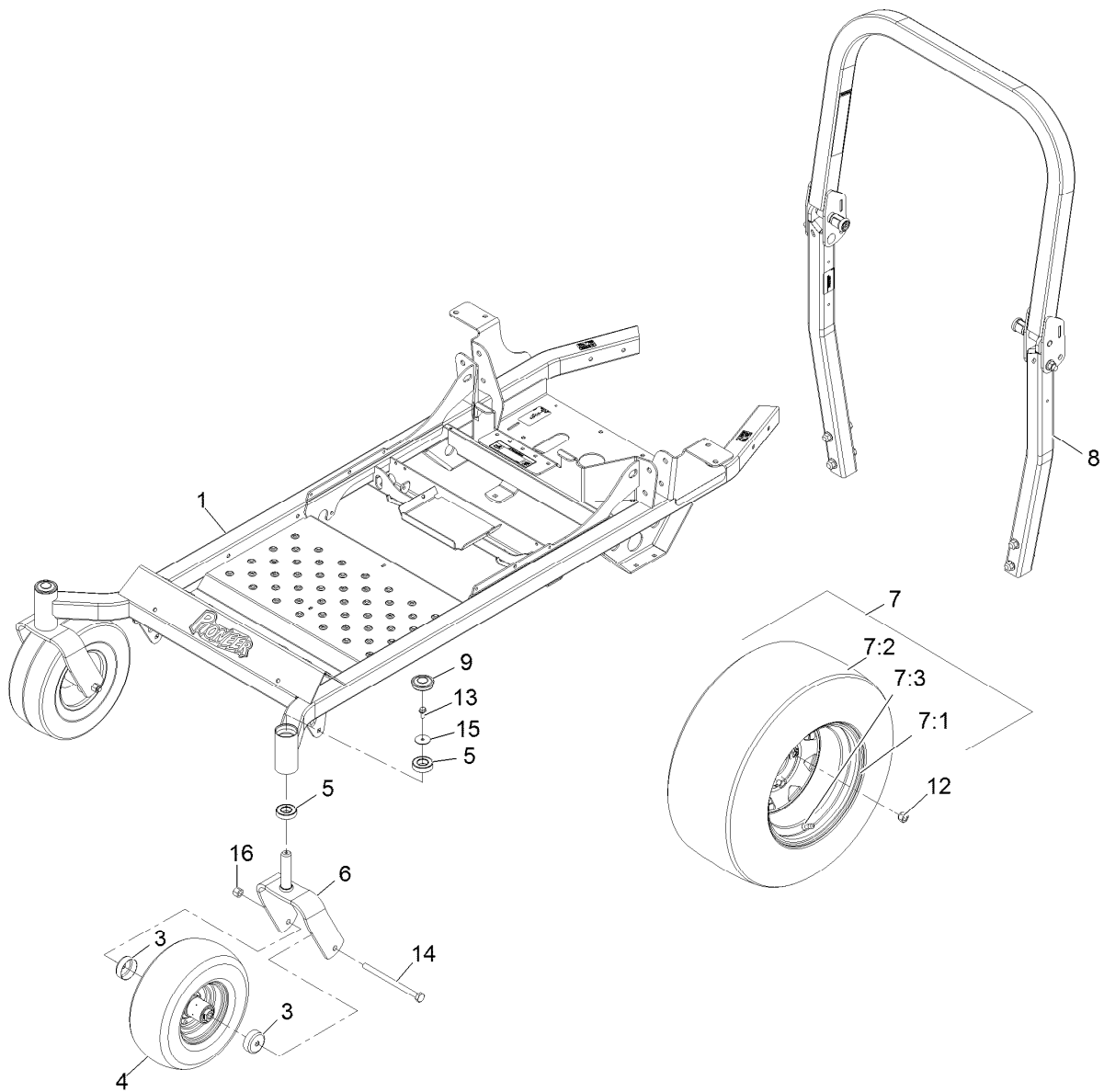
Ref.	Part Number	Qty.	Description	Ref.	Part Number	Qty.	Description
1	116-3195	1	ASM-Deck W/Decals 48	18	116-0680-01	1	Baffle,Discharge 483
2	103-3037	3	Bushing,Splined	19	116-1286	3	Guard,Bearing Top .989
3	103-6381	3	Blade, Solid (48	20	116-3342	3	ASM-Spindle And Seal
3	103-6386	3	Blade, Low Lift (48	21	116-3344	3	ASM-Cutter Hsg With Bearings
3	103-6391	3	Blade, Mulching (48 ●	21:2	116-0720	2	Bearing-Ball
3	103-6401	3	Blade-Notched	21:3	116-3312	1	Spacer-Bearing
3	116-5177	3	Blade-Extreme 2, 16.25"	22	116-3455	1	Belt-B154.88
4	116-4668	1	Idler-Pulley, Flanged	23	116-4693	1	ASM-Idler Arm
5	116-7306	3	Nut-Hex	23:1	1-513034	2	Sleeve-Bearing
6	104-8300	3	Nut-Nyloc 5/16-18 Flg	24	116-5111	1	Bushing
7	109-2872	2	Spacer-Pulley	25	116-4714	1	Bushing-Idler
8	103-4051	3	Kit,Anti-Scalp Roller	26	322-2	1	Screw-HH 5/16-18 X 5/8
9	109-6658	31	Nut-Nyloc 3/8-16 Flg	27	323-23	1	Screw-HH 3/8-16 X 4-1/2
10	109-6935	1	Cover-Belt, RH	28	3230-1	2	Bolt-Carriage 5/16-18 X 3/4
11	109-6936	1	Cover-Belt, LH	29	3231-25	2	Bolt-Carriage 3/8-16 X 1 1/4
12	109-6982	2	Wireform-Cover	30	3231-44	3	Bolt-Carriage 3/8-16 X 2 1/2
13	109-7188	1	ASM,Discharge Chute	31	52-2860	1	Washer
13:1	109-2738	1	Chute,Discharge	32	116-4669	1	Idler-Pulley, Flat
13:2	109-8675-01	1	Bracket,Discharge Chute	33	1-603299	3	Roller-Scalp, Anti
13:3	3231-22	3	Bolt-Carriage 3/8-16 X 1	34	98-5975	3	Washer-Spring Disc 3/8
13:4	109-6658	3	Nut-Nyloc 3/8-16 Flg	35	99-2842	3	Spacer
14	109-9220	3	Screw-Sems 1/2-20 X 2.19	36	3290-357	3	Nut-Whizlock 3/8-16
15	116-4670	1	Pulley-Idler, Flat	37	103-2802	3	Washer
16	116-6317	1	Spring-Extension				
17	116-0674	3	Sheave,Blade Drive 5.90				

● Requires installation of mulch kit for proper mulching. See your Exmark dealer for details.



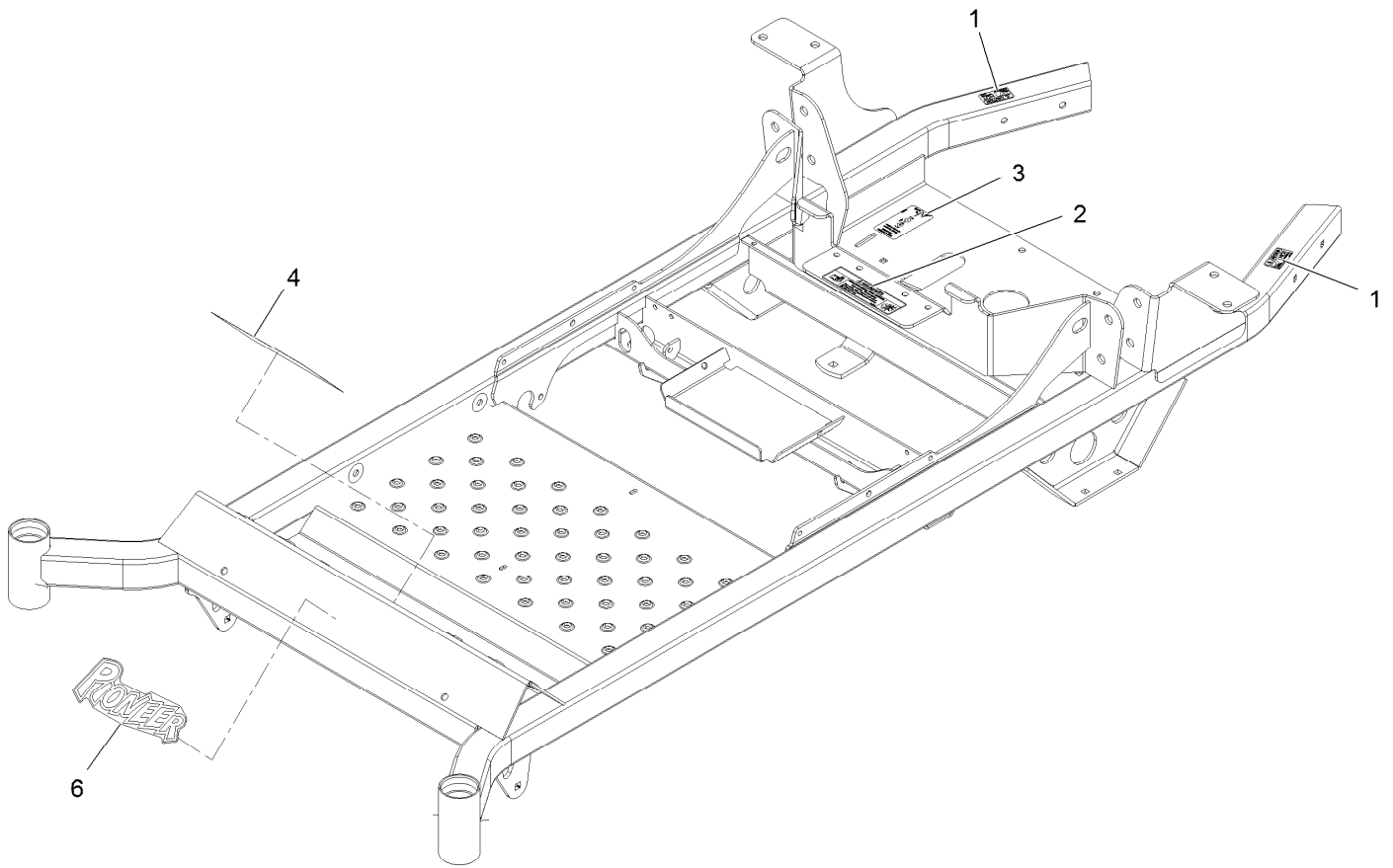
Deck W/Decals Assembly No. 116-3195

<i>Ref.</i>	<i>Part Number</i>	<i>Qty.</i>	<i>Description</i>
2	1-303508	1	Decal-Warning, Discharge
3	109-6035	1	Decal-Belt Routing
4	1-403005	2	Decal-Danger
5	116-4697	1	Decal-Ultracut 48 Series 3
6	1-633922	1	Decal,Antiscalp
7	109-3148	1	Decal,Bolt Torque
8	98-5954	2	Decal-Cover, Missing



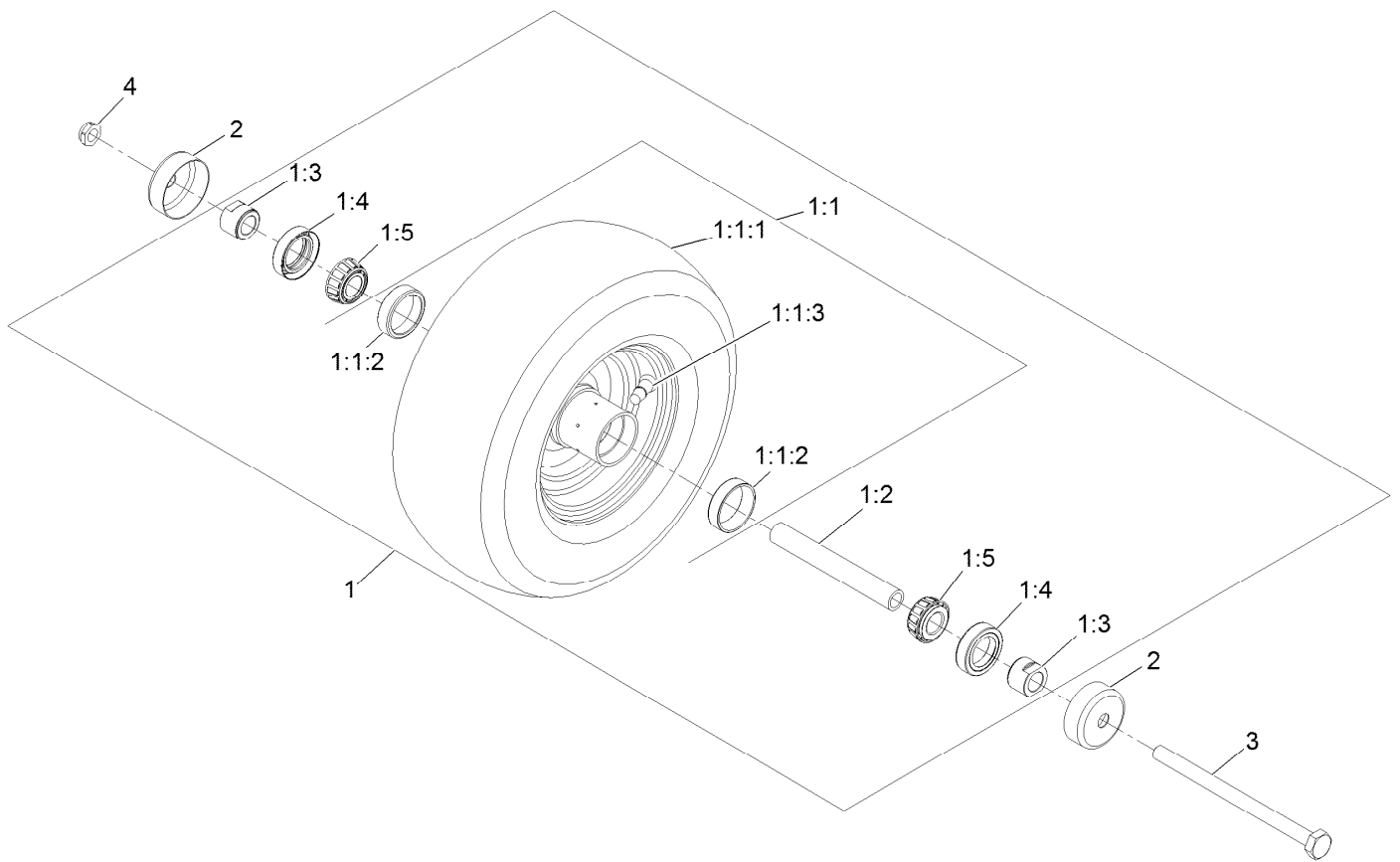
Main Frame Assembly

Ref.	Part Number	Qty.	Description	Ref.	Part Number	Qty.	Description
1	116-6831	1	Frame ASM-48-52	7:2	120-3271	1	Tire
3	103-2768	4	Guard-Seal	7:3	232-27	1	Stem-Valve
4	103-5189	2	ASM, Wheel & Tire W/ Axle	8	116-3498	1	ASM-ROPS Pioneer
5	109-3678	4	Bearing-Ball	9	116-4348	2	Cap-Grease
6	116-0611-01	2	Wld,Caster Fork	12	242-50	8	Nut-Lug 1/2-20
7	116-6318	2	ASM-Wheel And Tire 22 X 9.50-12	13	3234-5	2	Screw-HH Flg 5/16-18 X 3/4
7:1	116-6320	1	Wheel-12X7, 8 Spoke 4 On 4	14	325-36	2	Screw-HH 1/2-13 X 7 1/2
				15	3256-68	2	Washer-Flat
				16	3296-23	2	Nut-Nyloc 1/2-13



Mainframe W/Decals Assembly No. 116-6831

<i>Ref.</i>	<i>Part Number</i>	<i>Qty.</i>	<i>Description</i>
1	103-2076	2	Decal-Caution
2	116-1119	1	Decal,Belt Drive
3	116-6363	2	Decal-Drive Release
4	116-3303	1	Decal-Slope
6	116-4570	1	Decal-Pioneer Logo

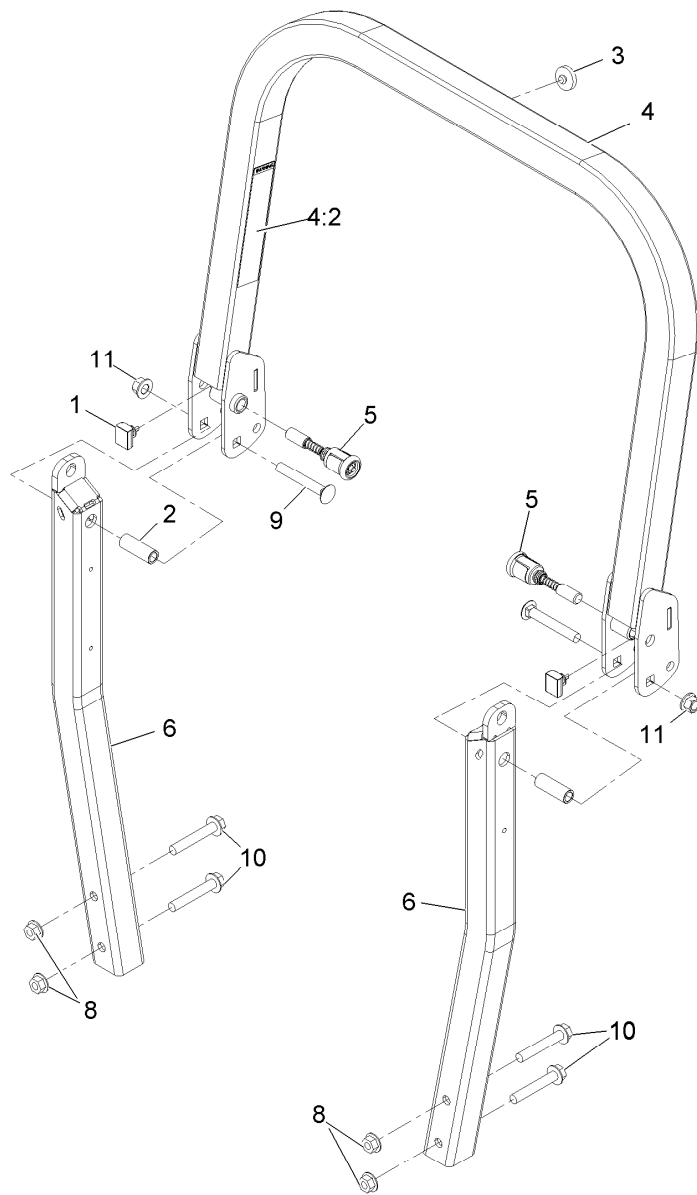


Caster Wheel Assembly No. 103-5189

Ref.	Part Number	Qty.	Description
1		1	ASM, Wheel And Brg 13X5.00-6 ●
1:1		1	ASM, Wheel And Tire 13X5.00-6 ●
1:1:1	1-633002	1	Tire
1:1:2	1-633584	2	Bearing-Cup
1:1:3	5108	1	Valve
1:2	103-3155	1	Axle-Caster
1:3	103-3051	2	Spacer-Nut ■
1:4	103-0063	2	Seal-Double Lip
1:5	1-633585	2	Bearing-Cone Tapered Roller
2	103-2768	2	Guard-Seal
3	325-36	1	Screw-HH 1/2-13 X 7 1/2
4	3296-45	1	Nut-Nyloc 1/2-13 Thin

● Not serviced separately

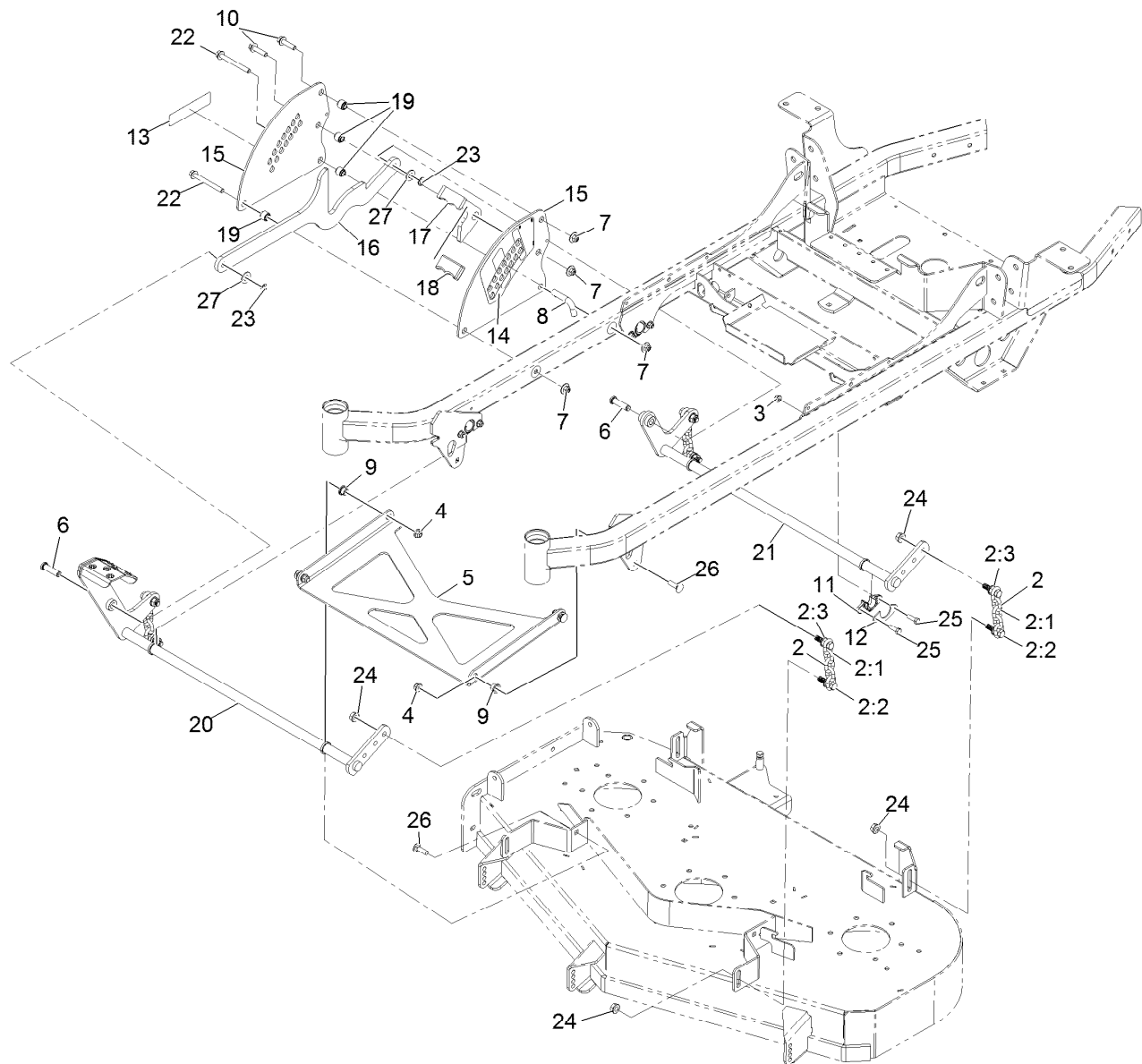
■ Use Pro-Lock, Nut Type (P/N 1-840022, .5ml tube) on threads.



Roll-Over Protection System Assembly No. 116-3498

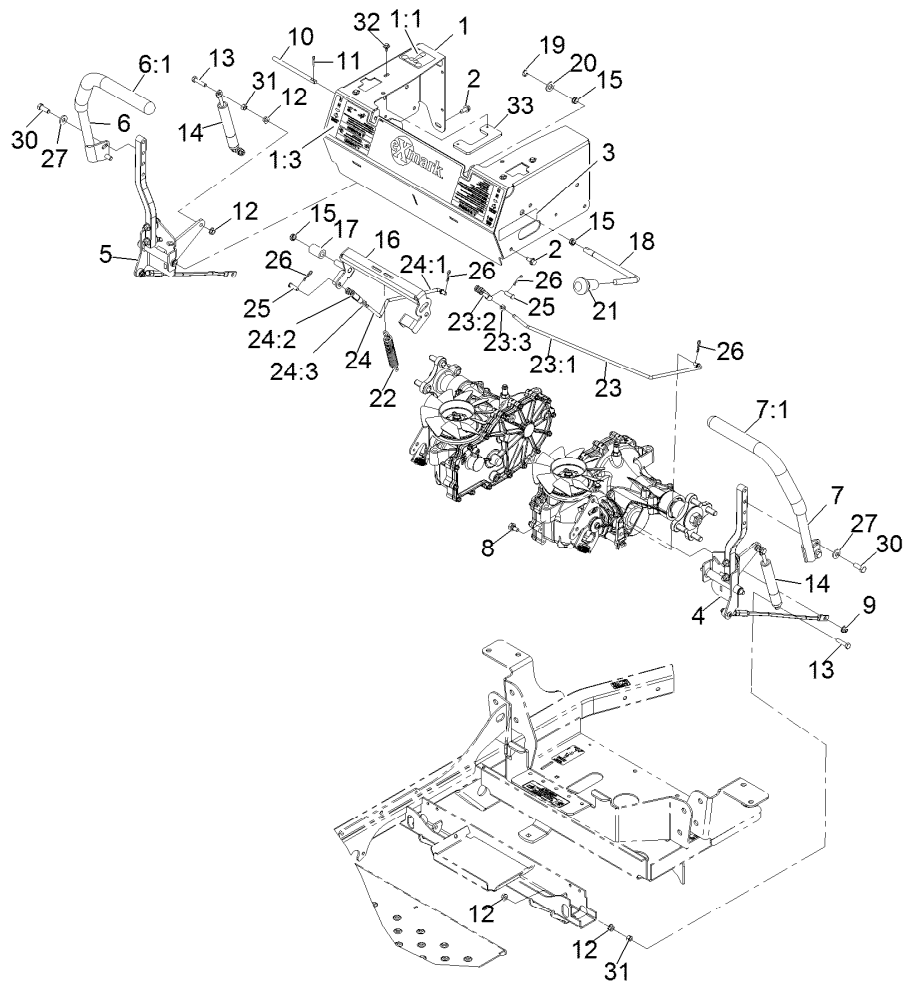
Ref.	Part Number	Qty.	Description
1	109-5337	2	Bumper-ROPS
2	109-6653	2	Spacer
3	109-9233	1	Bumper-Push-In, Rubber
4	116-0019	1	Upper ROPS ASM
4:2	107-2102	1	Decal-Warning, Folding ROPS
5	116-0104	2	Pin-Spring
6		2	ASM-Lwr ROPS Leg ●
8	32128-49	4	Nut-Whizlock 1/2-13
9	3233-10	2	Bolt-Carriage 1/2-13 X 3 1/2
10	3234-40	4	Screw-HF
11	99-5107	2	Nut-Lock 1/2-13

● Not serviced separately



Deck Lift Assembly

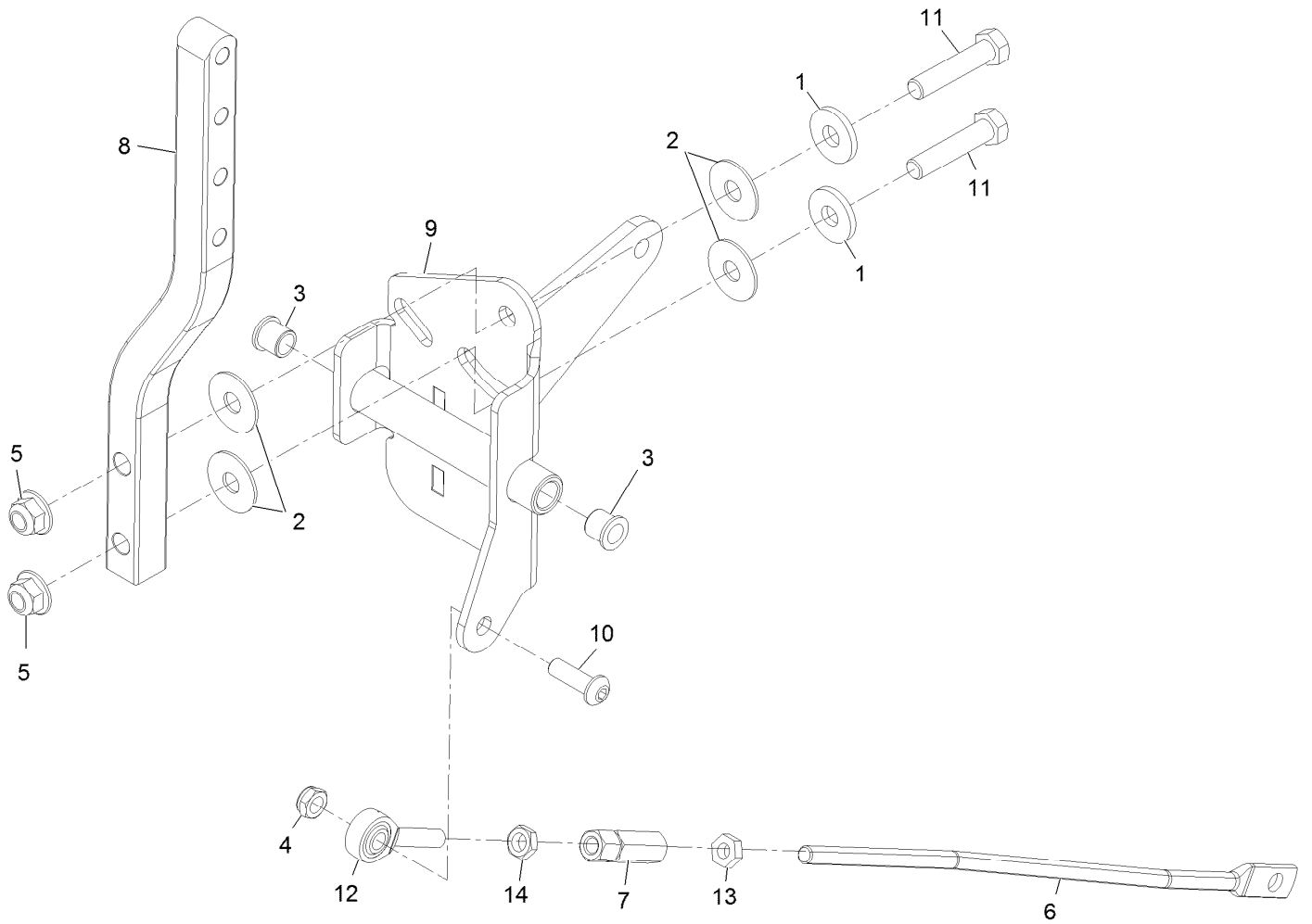
Ref.	Part Number	Qty.	Description	Ref.	Part Number	Qty.	Description
2	103-9817	4	Deck Chain ASM	13	116-3884	1	Decal-S-Series
2:1	1-633447	1	Chain-Lift, Deck	14	116-4308	1	Decal-Height Of Cut
2:2	103-1898	2	Screw-HH 7/16-20 X 1-5/8 Sp	15	116-4309-03	2	Plate,Deck Lift
2:3	32128-37	2	Nut-Whizlock 7/16-14	16	116-4310-03	1	Link-HOC
3	104-8300	8	Nut-Nyloc 5/16-18 Flg	17	116-4311	1	Transport Lock-HOC
4	104-8301	4	Nut-Nyloc 3/8-16 Flg	18	116-4312	1	Grip-3/8 X 1 Flat Bar
5	109-3723-01	1	Strut-Deck	19	116-4313	4	Spacer-Double Step
6	109-5819	2	Pin-Clevis	20	116-6011-03	1	Wld-Deck Lift Shaft Frt
7	109-6658	4	Nut-Nyloc 3/8-16 Flg	21	116-6012-03	1	Wld-Deck Lift Shaft Rr
8	116-5584	1	Pin-HOC	22	116-4701	2	Screw-HHF
9	109-8788	4	Bushing-Flanged	23	32120-47	2	Ring-Retaining
10	114-4681	2	Screw-HHF	24	32128-37	8	Nut-Whizlock 7/16-14
11	115-5065	4	Bushing-Flange	25	322-5	8	Screw-HH 5/16-18 X 1
12	116-2887	4	Gusset-Deck Lift	26	3231-25	4	Bolt-Carriage 3/8-16 X 1 1/4
				27	3256-26	2	Washer-1/2 Sae



Motion Control Assembly

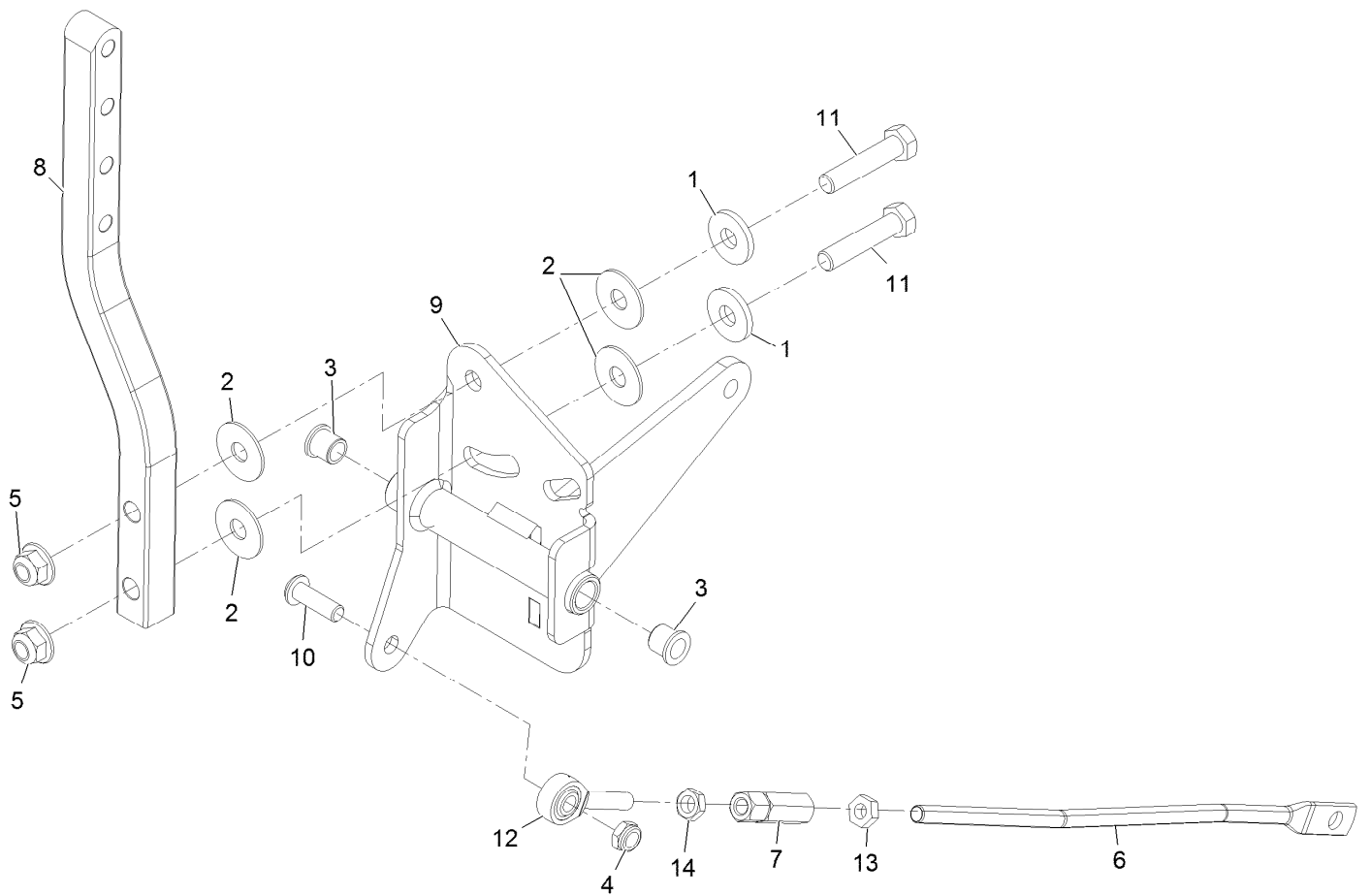
Ref.	Part Number	Qty.	Description	Ref.	Part Number	Qty.	Description
1	116-3188	1	ASM-Mot Ctrl Frm W/Dcl	16	116-6233	1	ASM-Brake Center Arm
1:1	109-6014	1	Decal-Belt Routing	17	109-5010	1	Spacer
1:3	116-4430	1	Decal-Front Panel	18	116-3155	1	Handle, Brake
2	32144-70	6	Screw-HWH 5/16-18 X 3/4 Tf	19	32120-47	1	Ring-Retaining
3	116-3884	1	Decal-S-Series	20	106-9888	1	Washer-Flat
4		1	Motion Control ASM-LH ●	21	106-7952	1	Knob
5		1	Motion Control ASM-RH ●	22	88-6130	1	Spring-Deck, Engagement
6	119-3486	1	RH Handle ASM	23	116-1165	1	Brake Linkage ASM-LH
6:1	108-6187	1	Grip	23:1	116-1167	1	Linkage, Brake LH
7	119-3485	1	LH Handle ASM	23:2	1-303105	1	Yoke-Adjustable
7:1	108-6187	1	Grip	23:3	3220-2	1	Nut-Jam 5/16-24
8	37-8771	2	Screw-Shoulder 5/16-18 X 5/8	24	116-1166	1	Brake Linkage ASM-RH
9	104-8300	2	Nut-Nyloc 5/16-18 Flg	24:1	116-1168	1	Linkage-Brake, RH
10	109-3705	2	Pin-Control Pivot	24:2	1-303105	1	Yoke-Adjustable
11	3272-10	2	Pin-Cotter 1/8 X 3/4	24:3	3220-2	1	Nut-Jam 5/16-24
12	32128-20	8	Nut-Whizlock 5/16-18	25	1-808280	2	Pin-Clevis 5/16 X 1 49/64
13	1-403180	4	Screw-HH 5/16-18 X 1 1/4 Sp	26	1-806003	4	Hairpin-Cotter
14	109-5957	2	Damper-Motion Control	27	98-5975	4	Washer-Spring Disc 3/8
15	116-1393	3	Bushing, Snap	30	323-6	4	Screw-HH 3/8-16 X 1
				31	3217-6	4	Nut-Hex 5/16-18
				32	46-8560	4	Screw-HHF 1/4-20 X 1/2
				33	109-6214	2	Stop-Motion Control

● Not serviced separately



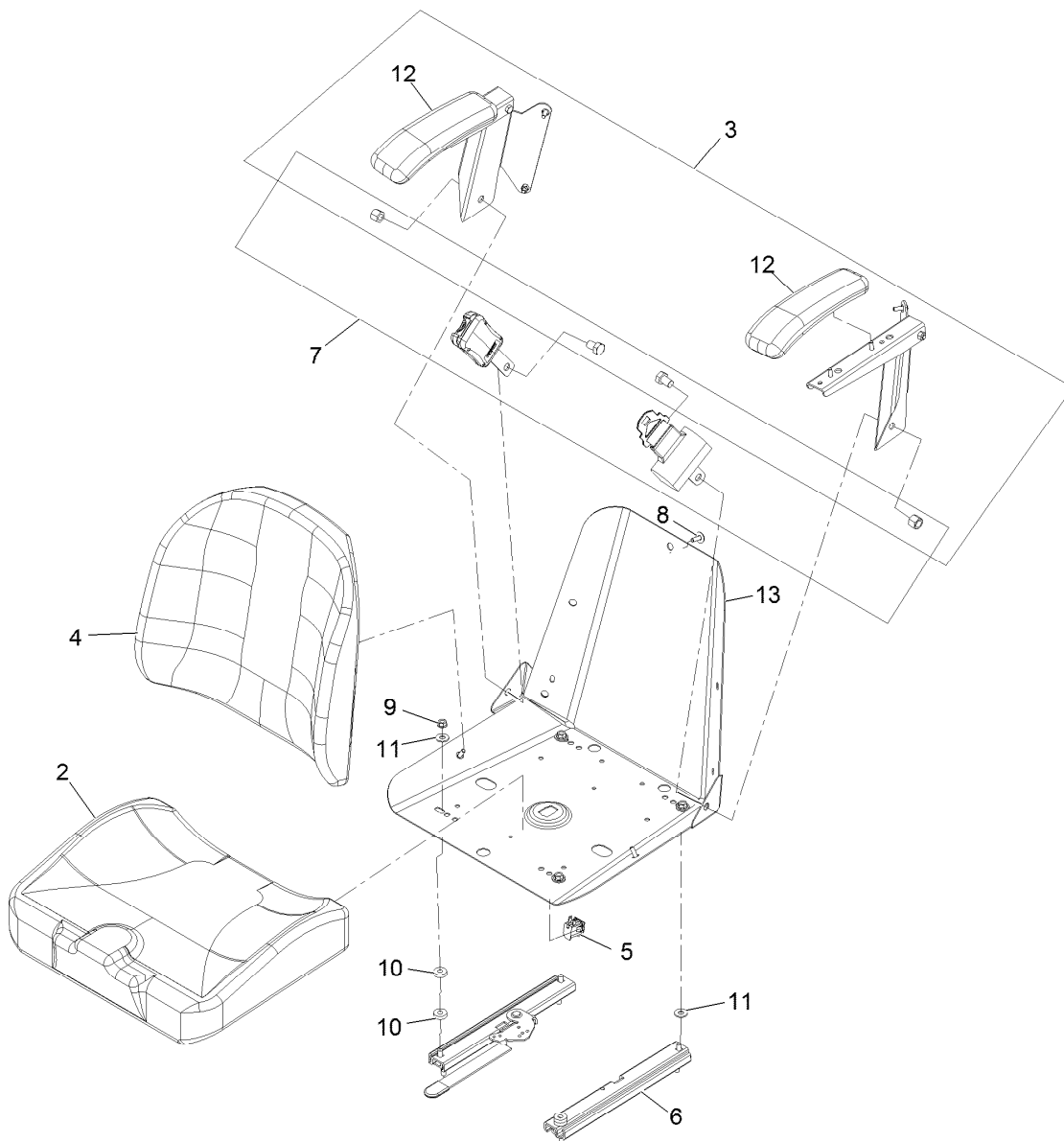
Motion Control Assembly - LH

Ref.	Part Number	Qty.	Description
1	5-0838	2	Washer
2	52-2900	4	Washer-Plastic
3	103-9928	2	Bearing
4	3296-47	1	Nut-Nyloc 5/16-18 Thin
5	104-8301	2	Nut-Nyloc 3/8-16 Flg
6	116-2543	1	Link,Motion Control
7	109-3728	1	Nut-Rod Adjustment
8	116-3183	1	Arm-Motion Control
9	116-5477	1	LH Control Pivot ASM
10	3274-104	1	Screw-Button Head 5/16-18 X 1
11	323-9	2	Screw-HH 3/8-16 X 1 3/4
12	2411-53	1	Balljoint LH
13	3220-2	1	Nut-Jam 5/16-24
14	3220-20	1	Nut-Jam 5/16-24 LH



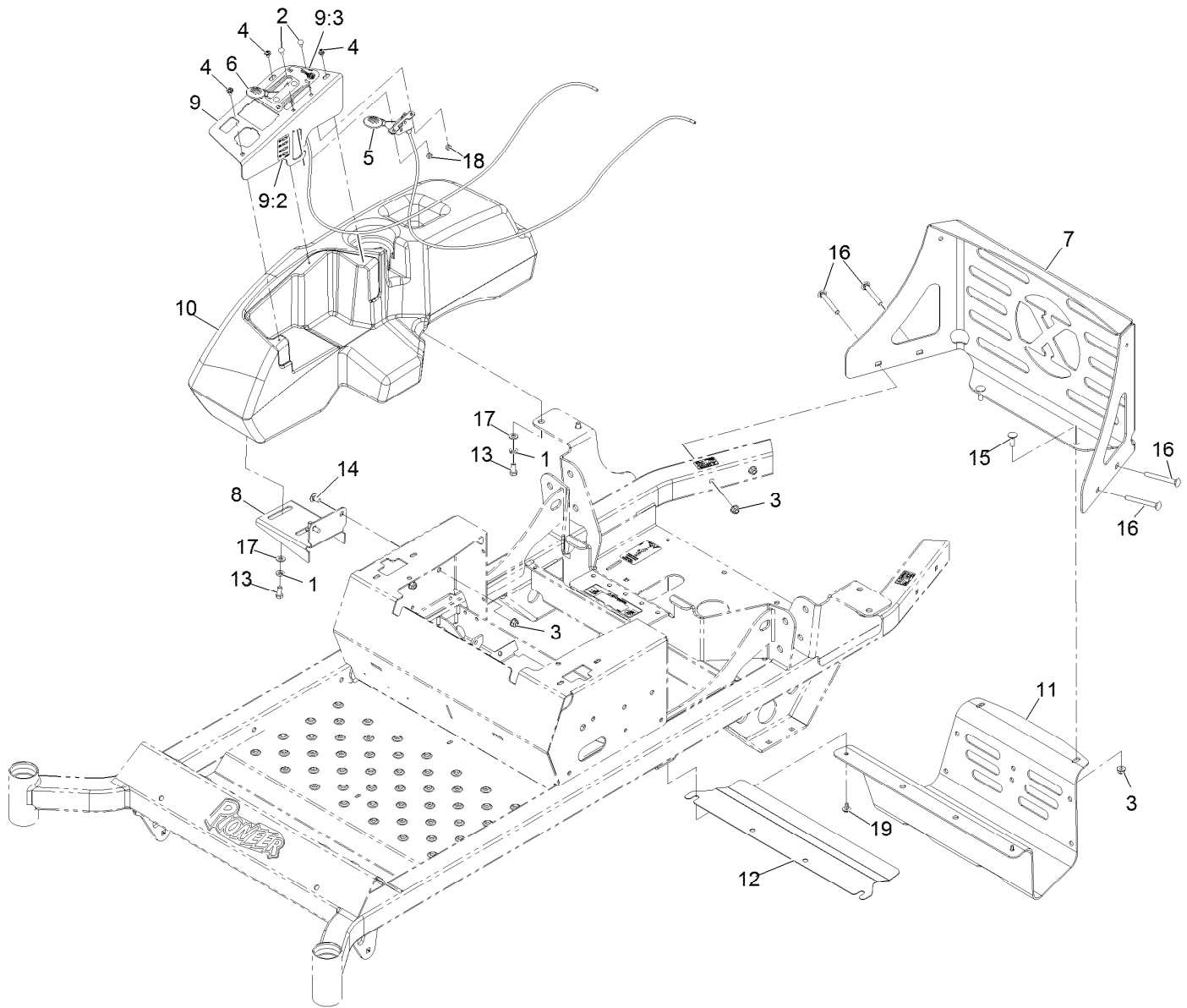
Motion Control Assembly - RH

Ref.	Part Number	Qty.	Description
1	5-0838	2	Washer
2	52-2900	4	Washer-Plastic
3	103-9928	2	Bearing
4	3296-47	1	Nut-Nyloc 5/16-18 Thin
5	104-8301	2	Nut-Nyloc 3/8-16 Flg
6	116-2543	1	Link, Motion Control
7	109-3728	1	Nut-Rod Adjustment
8	116-3183	1	Arm-Motion Control
9	116-5476	1	RH Control Pivot ASM
10	3274-104	1	Screw-Button Head 5/16-18 X 1
11	323-9	2	Screw-HH 3/8-16 X 1 3/4
12	2411-53	1	Balljoint LH
13	3220-2	1	Nut-Jam 5/16-24
14	3220-20	1	Nut-Jam 5/16-24 LH



Seat W/Tracks Assembly No. 116-6192

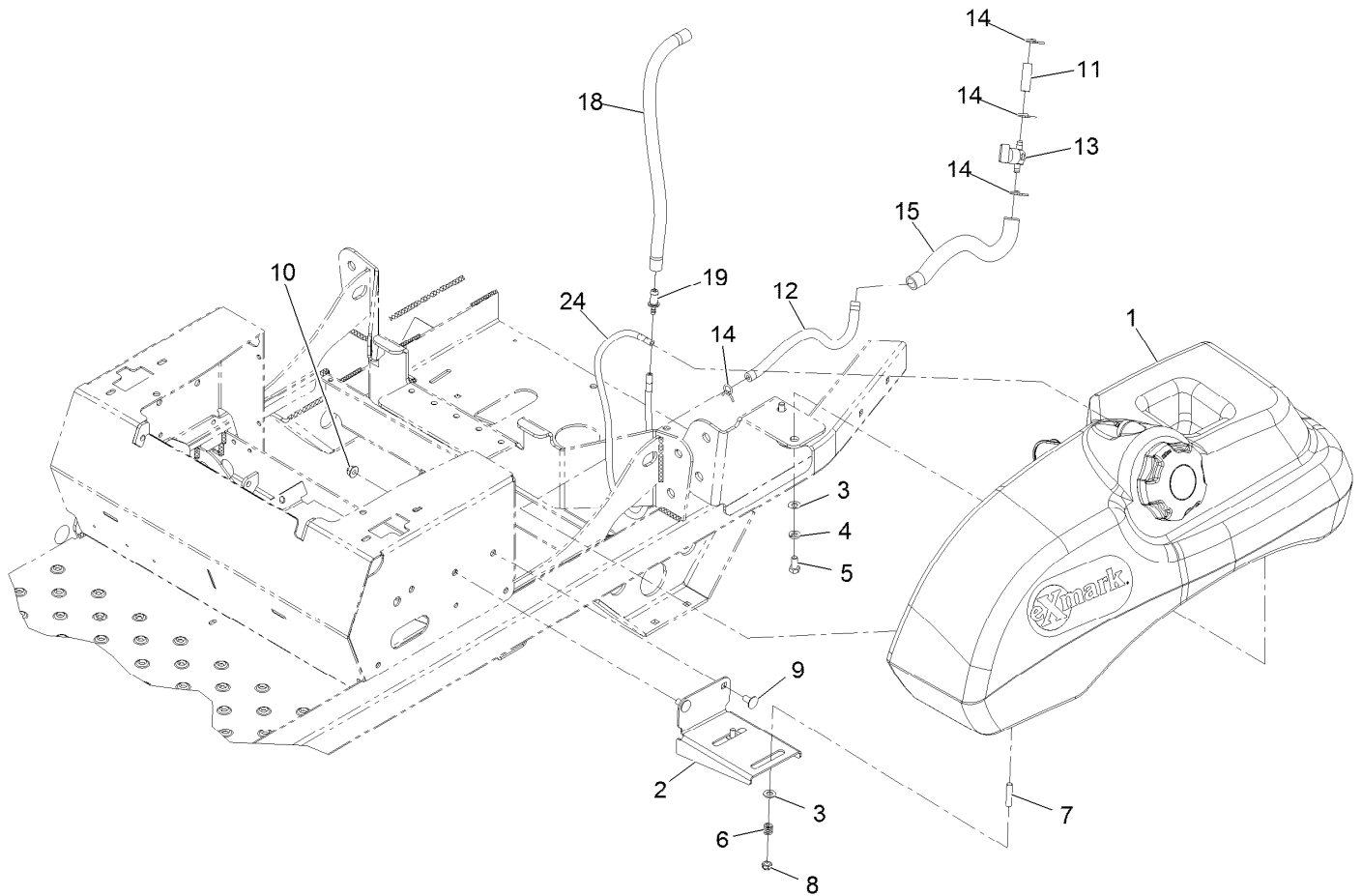
Ref.	Part Number	Qty.	Description
2	116-7329	1	Cushion-Seat Bottom
3	110-5719	1	Armrest Kit
4	116-3738	1	Cushion,Seat Back
5	82-2190	1	Switch
6	1-643255	1	Track-Seat
7	116-2981	1	Seat Belt Kit
8	103-8383	7	Screw-HWH 1/4-20 X 3/4 Taptite
9	32128-20	4	Nut-Whizlock 5/16-18
10	26-4840	4	Spacer-Pin, Mounting
11	3256-3	6	Washer-5/16 Std
12	110-4163	2	Cushion-Rest, Arm
13	116-7496	1	Frame-Seat



Controls Assembly

Ref.	Part Number	Qty.	Description
1	1-805005	4	Washer-Lock 5/16 Heavy
2	1-807513	4	Bolt-Carriage #10-24 X 1/2
3	104-8300	8	Nut-Nyloc 5/16-18 Flg
4	109-2661	3	Screw-PPH #10-24 X 1/2
5	116-4919	1	Control,Throttle
6	109-8747	1	Control,Choke
7	116-3453-03	1	Panel,Rear Guard
8	116-3495-03	1	Bracket-Tank And Fender
9	116-3496	1	ASM,Control Panel W/Decal
9:2	116-1496	1	Decal,Fuse Block
9:3	116-4465	1	Decal-Throttle Choke

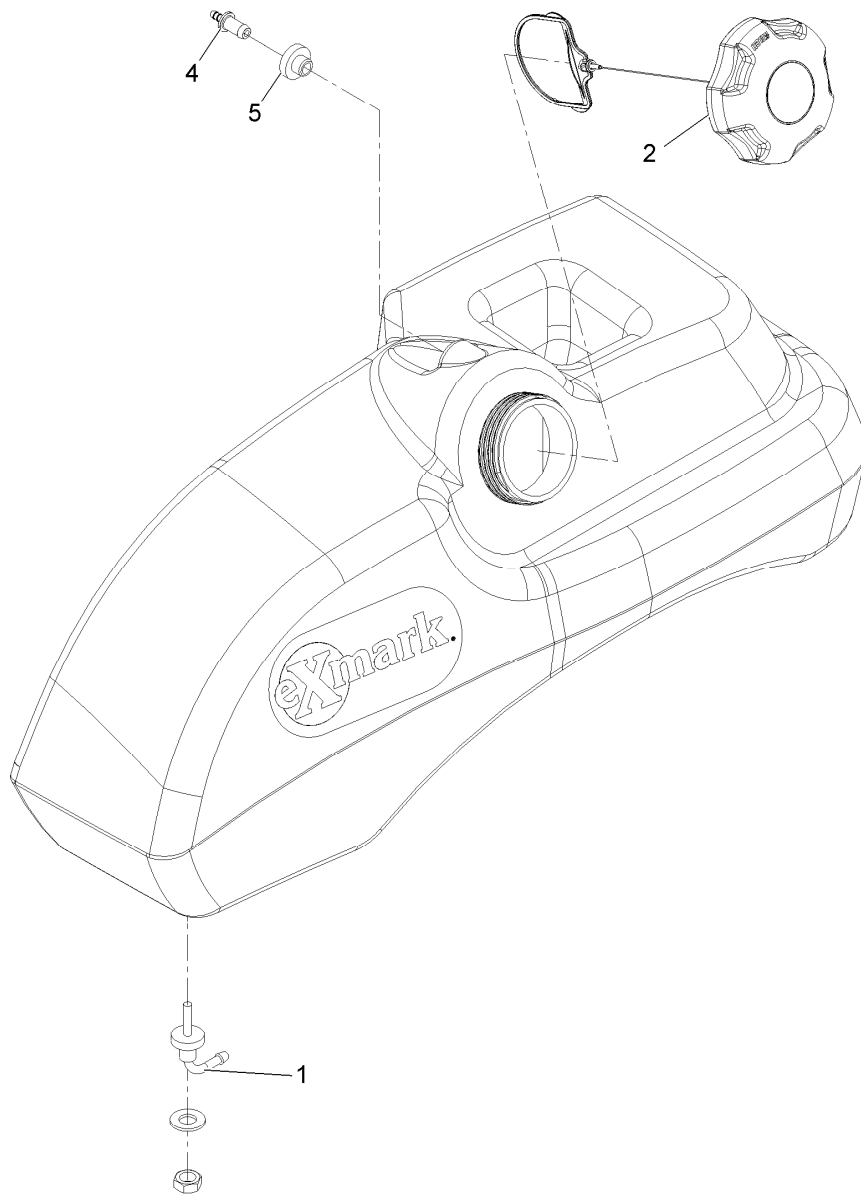
Ref.	Part Number	Qty.	Description
10	116-4138	1	Console,RH
11	116-4708-03	1	Guard-Muffler
12	116-6004-03	1	Shield-Heat Deflector
13	322-3	4	Screw-HH 5/16-18 X 3/4
14	3230-18	2	Bolt-Carriage 5/16-18 X 5/8
15	3230-2	2	Bolt-Carriage 5/16-18 X 1
16	3230-9	4	Bolt-Carriage 5/16-18 X 2 3/4
17	3256-23	4	Washer-5/16 Sae
18	3296-2	4	Nut-Nyloc #10-24
19	46-8560	2	Screw-HHF 1/4-20 X 1/2



Fuel Tank Mounting Assembly

Ref.	Part Number	Qty.	Description	Ref.	Part Number	Qty.	Description
1	116-4610	1	ASM-Fuel Tank	10	104-8300	2	Nut-Nyloc 5/16-18 Flg
2	116-3495-03	1	Bracket-Tank And Fender	11	106-9492	1	Hose-Fuel
3	3256-23	4	Washer-5/16 Sae	12	109-0282	1	Hose-Fuel
4	1-805005	2	Washer-Lock 5/16 Heavy	13	1-603770	1	Valve-Fuel
5	322-3	2	Screw-HH 5/16-18 X 3/4	14	1-303077	4	Clamp-Fuel Line
6	1-633349	2	Spring-Compression	15	116-4515	1	Conduit-Fuel Line
7	1-633023	2	Stud-Fuel Tank ●	18	116-4344	1	Hose-Fuel
8	3296-47	2	Nut-Nyloc 5/16-18 Thin	19	116-4630	1	Fitting-Straight Orifice
9	3230-18	2	Bolt-Carriage 5/16-18 X 5/8	24	116-4802	1	Hose,Emissions

● Use Pro-Lock, Nut Type (P/N 1-840022, .5ml tube) on threads.



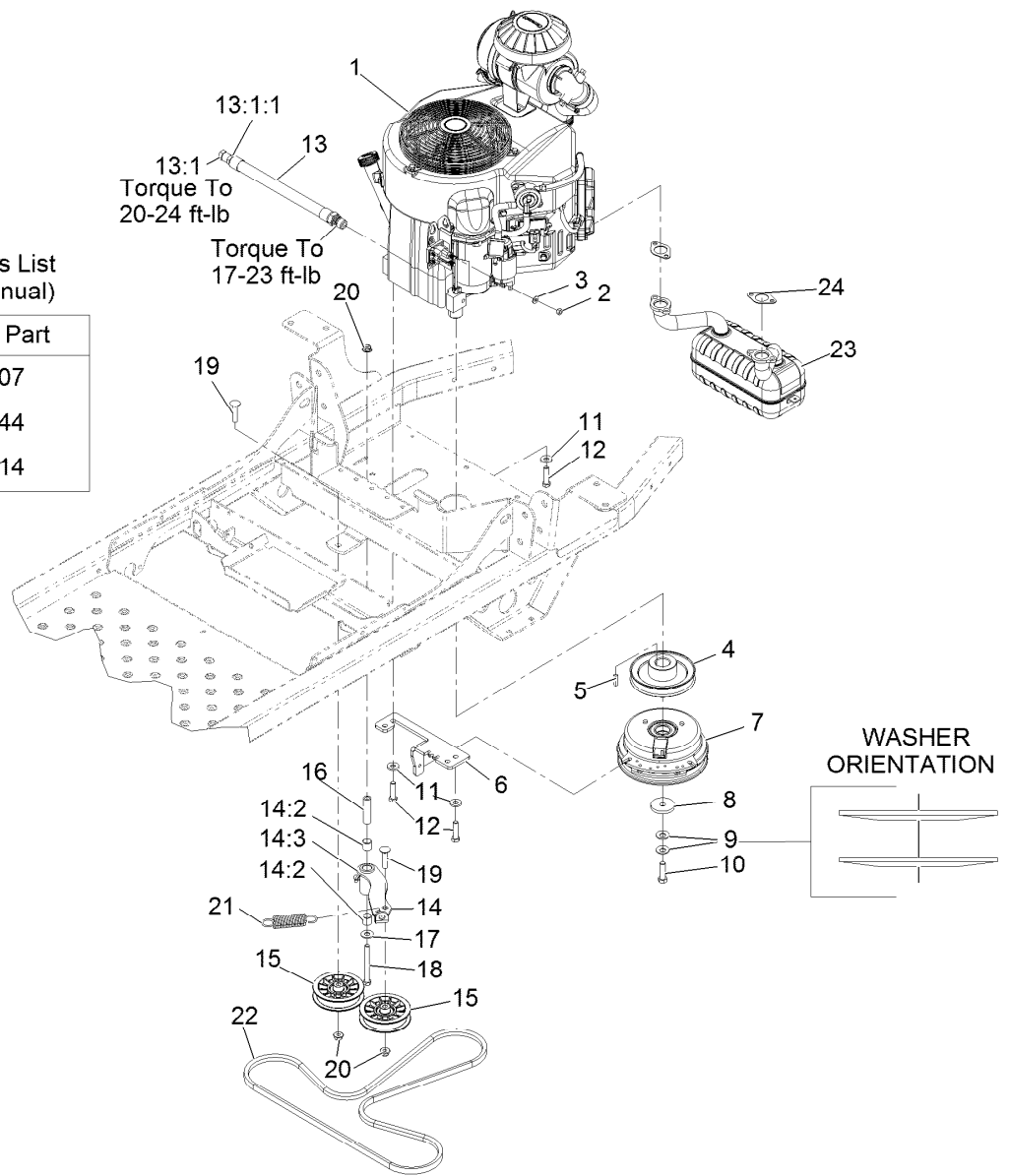
Fuel Tank Assembly No. 116-4610

<i>Ref.</i>	<i>Part Number</i>	<i>Qty.</i>	<i>Description</i>
1	103-2605	1	Fitting-Fuel Bulkhead W/Strainer ●
2	120-5461	1	Cap-Fuel, Ratcheting
4	116-4630	1	Fitting-Straight Orifice
5	46-6560	1	Bushing

● Use Pro-Lock, Nut Type (P/N 1-840022, .5ml tube) on threads.

Kawasaki Replacement Parts List
(Refer To Engine Owner's Manual)

Description	Kawasaki Part
Engine Oil Filter	49065-7007
Engine Air Filter	11013-7044
Fuel Filter	49019-0014



Engine Assembly

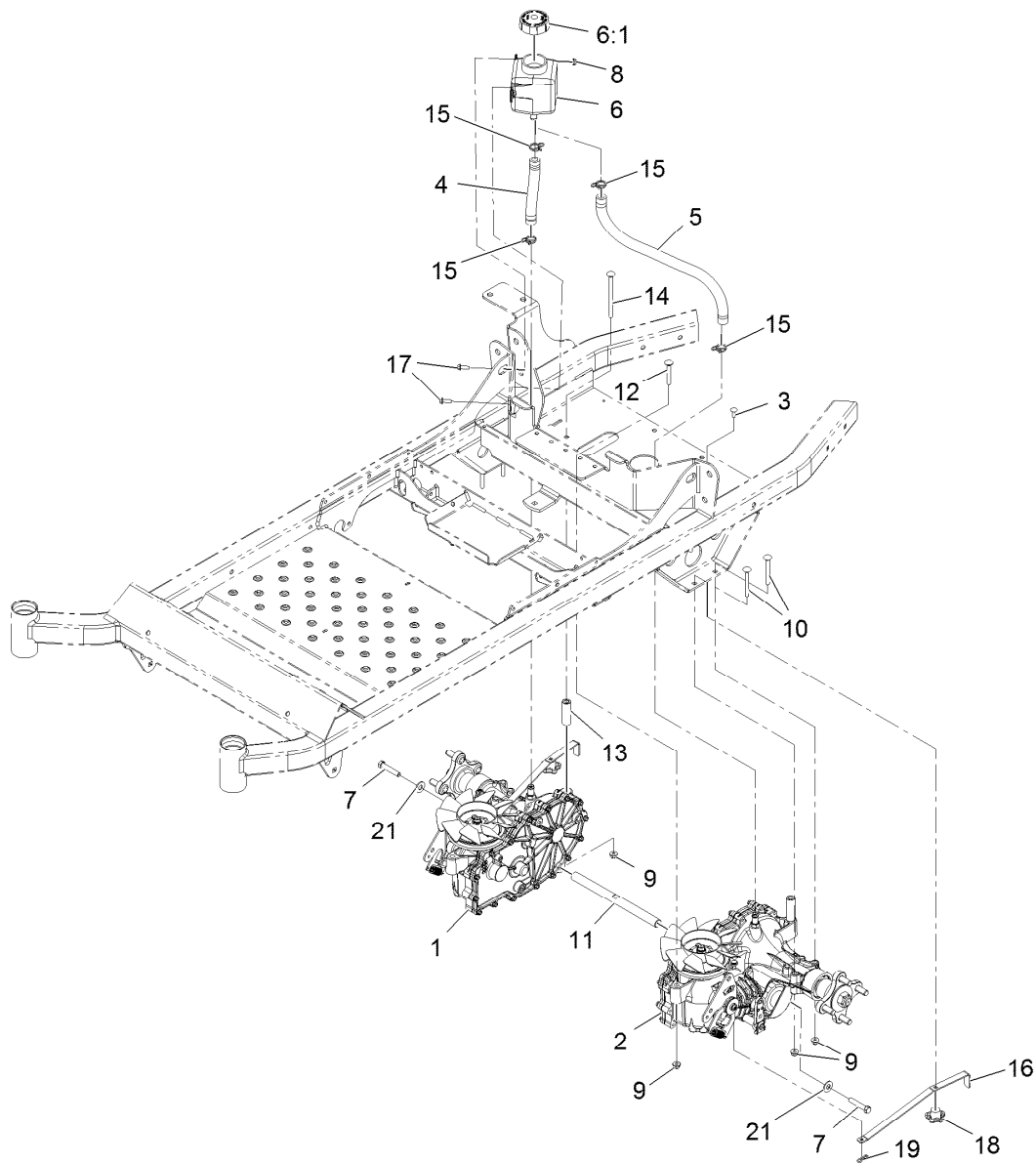
Ref.	Part Number	Qty.	Description	Ref.	Part Number	Qty.	Description
1		1	Engine-Kawasaki, Fx651V-S10-R ●■	13:1	353-508	1	Plug-W/O-Ring
2	3217-5	1	Nut-Hex 1/4-20	13:1:1	237-42	1	O-Ring
3	3256-22	1	Washer-1/4 Sae	14	116-4729	1	ASM-Idler Arm W/Bearings
4	116-1946	1	Sheave-Pump, Drive	14:2	1-513034	2	Sleeve-Bearing
5	1-807259	1	Key-Machine 1/4 X 1/4 X 1	14:3	302-40	1	Zerk-90° 1/4-28
6	116-4773-03	1	Anchor-Clutch	15	116-2456	2	Pulley-Flat, 3.50 Dia
7	116-1947	1	Clutch	16	1-603384	1	Bushing-Pivot, Idler
8	109-6919	1	Washer-Clutch	17	3256-4	1	Washer-3/8 Std
9	1-603610	2	Washer-Spring Disc 7/16	18	323-15	1	Screw-HH 3/8-16 X 3 1/2
10	109-9761	1	Screw-HH 7/16-20 X 1 1/2 W/Loctite ◆	19	3231-5	2	Bolt-Carriage 3/8-16 X 1 3/4
11	98-5975	4	Washer-Spring Disc 3/8	20	104-8301	3	Nut-Nyloc 3/8-16 Flg
12	323-8	4	Screw-HH 3/8-16 X 1 1/2	21	1-603402	1	Spring-Extension
13	116-4924	1	Asm-Hose Oil Drain W/Plug ▲	22	115-9613	1	V-Belt
				23	117-7256	1	Muffler-Kawasaki
				24	1-653313	2	Gasket-Exhaust

● Not serviced separately

▲ Use a Teflon Pipe Sealant or equivalent on threads.

◆ Use Pro-Lock, Nut Type (P/N 1-840022, .5ml tube) on threads.

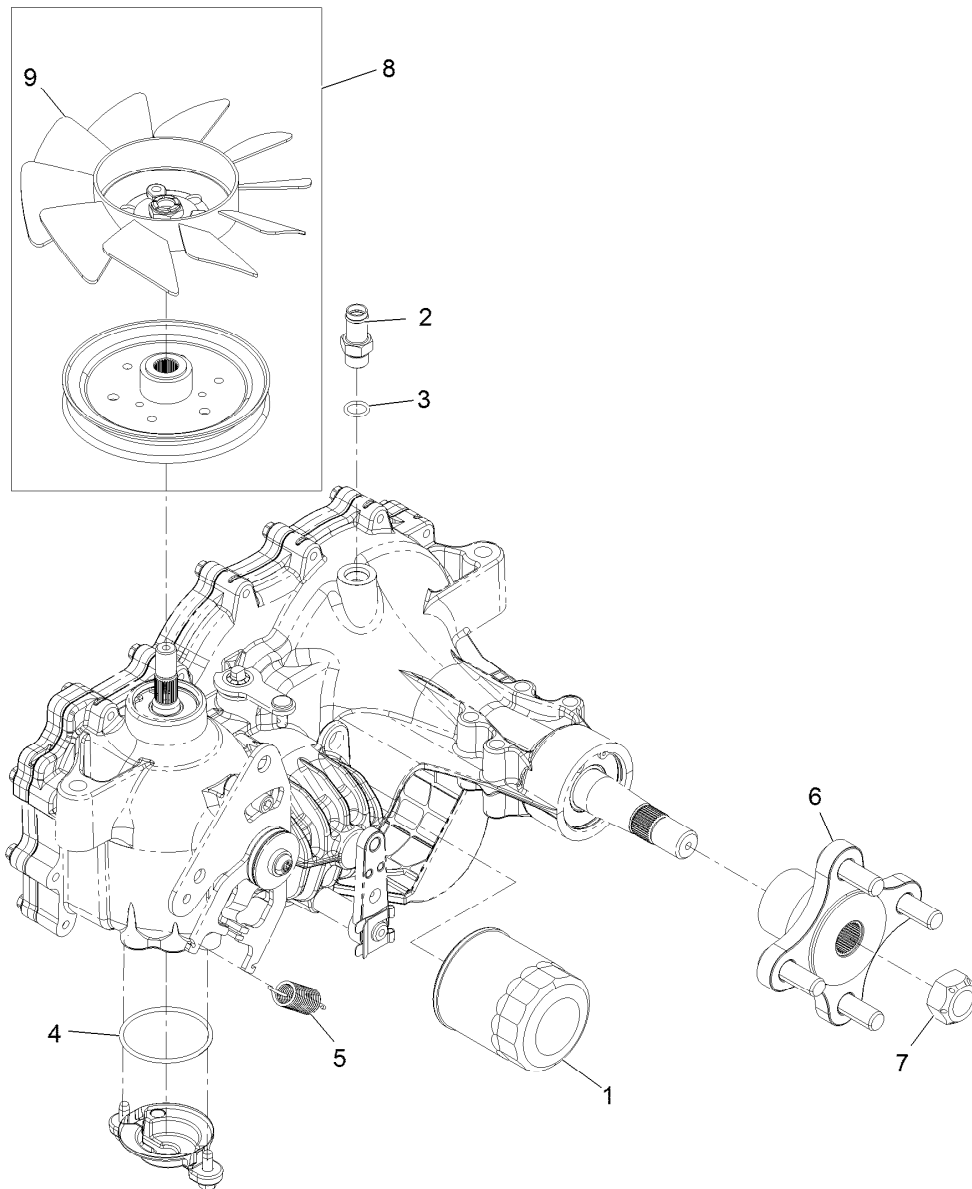
■ Obtain parts from www.kawpowerpc.com



Hydraulic Assembly

Ref.	Part Number	Qty.	Description	Ref.	Part Number	Qty.	Description
1	116-3174	1	Transaxle ASM	11	116-6833	1	Shaft-Spacer
2	116-3173	1	Transaxle ASM	12	3230-7	2	Bolt-Carriage 5/16-18 X 2 1/4
3	3229-1	2	Bolt-Carriage 1/4-20 X 3/4	13	116-5809	2	Spacer-Hydro
4	116-5641	1	Hose-Hydraulic	14	3230-30	2	Bolt-Carriage 5/16-18 X 4 1/2
5	116-5642	1	Hose-Hydraulic	15	126-0327	4	Clamp-Hose
6	109-2250	1	Vent-Tank, Hydro	16	109-5395	2	Arm-Hydro Bypass
6:1	109-3320	1	Cap-Reservoir, HYD	17	32105-15	2	Screw-Machine 1/4-20 X 3/4
7	94-7972	2	Screw-HH W/Loctite ●	18	108-6402	2	Knob-Handle
8	104-7201	2	Nut-Nyloc 1/4-20 Flg	19	1-806003	2	Hairpin-Cotter
9	104-8300	8	Nut-Nyloc 5/16-18 Flg	21	3256-4	2	Washer-3/8 Std
10	3230-9	4	Bolt-Carriage 5/16-18 X 2 3/4				

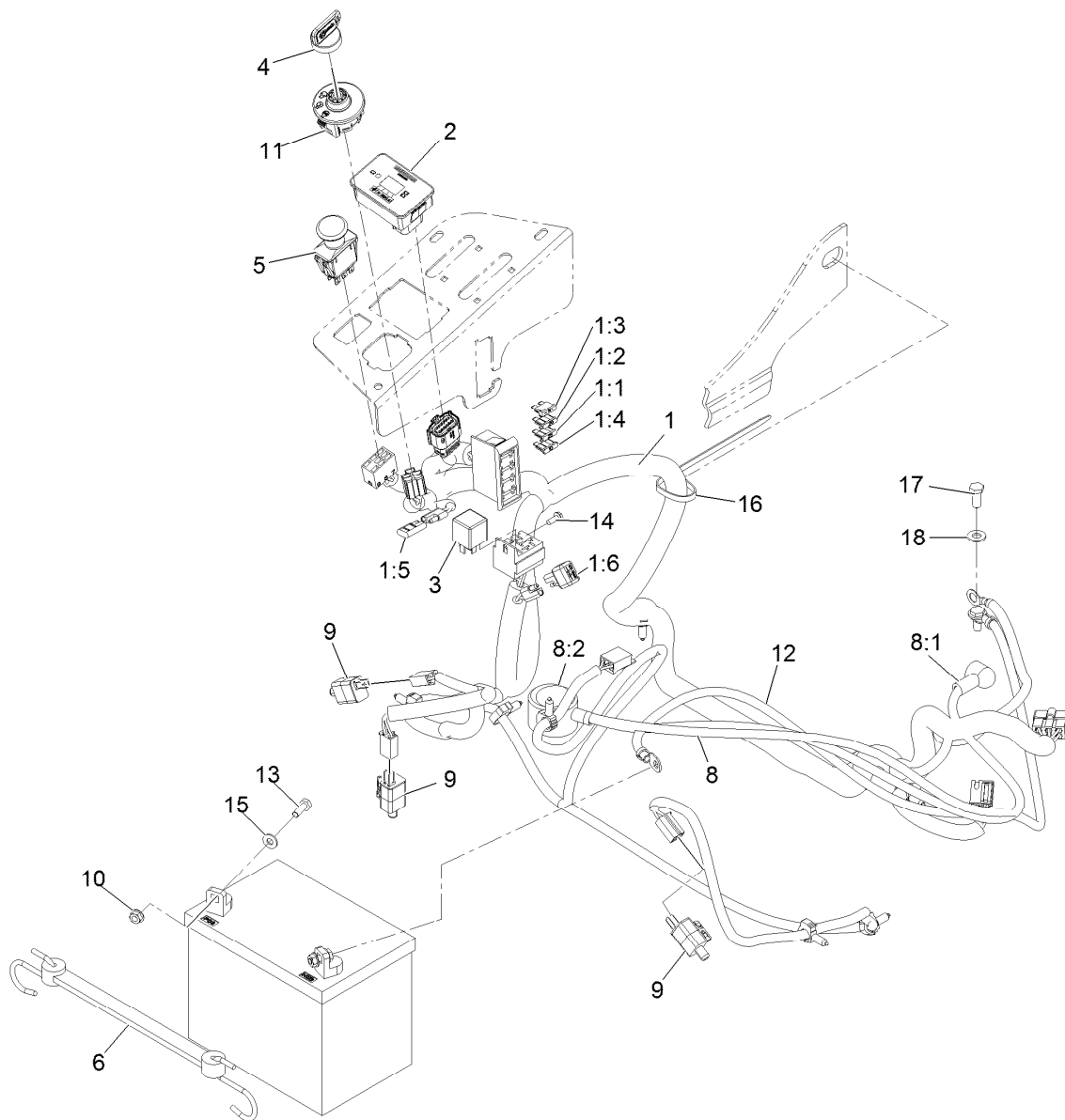
● Use Pro-Lock, Nut Type (P/N 1-840022, .5ml tube) on threads.



Transaxle Assembly

Ref.	Part Number	Qty.	Description
1	109-3321	1	Element-Oil Filter, HYD
2	109-3278	1	Adapter-Straight
3	237-42	1	O-Ring
4	109-3540	1	O Ring-Seal
5	109-5592	1	Spring-Extension
6	109-5939	1	Hub Kit
7	109-3536	1	Nut-Hub
8	109-5938	1	Fan And Pulley Kit
9	114-8453	1	Fan-7.0
99	109-3537	1	Complete Seal Kit ●

● Not illustrated



Electrical Assembly

Ref.	Part Number	Qty.	Description
1	116-4861	1	Harness, Wire ●
1:1	109102	1	Fuse-Blade, 25 Amp
1:2	1-816001	1	Fuse-Blade Type, 20 Amp
1:3	109355	1	Fuse-Blade, 15 Amp
1:4	218-578	1	Fuse-Blade, 10 Amp
1:5	116-0053	1	Cap-Plug
1:6	103-3895	1	Diode-Tvs
2	116-5609	1	Module ASM
3	1-643275	1	Relay-12Vdc 40 Amp
4	1-603511	1	Key-Ignition
4	103-2106	1	Key-Exmark Logo
5	103-5221	1	Switch-PTO
6	104-2466	1	Holddown-Battery
8	109-7621	1	Positive Battery Cable ASM

Ref.	Part Number	Qty.	Description
8:1	1-543393	1	Insulator-Solenoid
8:2	109-2407	1	Insulator-Battery
9	110-6765	3	Switch-Single Pole No
10	32128-33	2	Nut-Whizlock 1/4-20
11	117-2221	1	Switch-Ignition
12	117-7240	1	Cable-Battery, Negative
13	321-4	2	Screw-HH 1/4-20 X 3/4
14	32144-1	1	Screw-HWH #10-24 X 1/2 TapTite
15	3256-22	2	Washer-1/4 Sae
16	1-303335	1	Tie-Cable 7 15/16 (Large)
17	33114-020	1	Screw-HH M8-1.25 X 20Mm
18	33094-00	1	Washer

● Use dielectric grease on all unsealed connectors and terminals only. Do not apply in sealed connectors.

Notes:

Notes:

Notes:

EXMARK® MAINTENANCE

MAXIMIZE THE PERFORMANCE OF YOUR EXMARK.

4-CYCLE PREMIUM ENGINE OIL

Part No. 116-3373

Both SAE 30 and SAE 10W-30 in one bottle.

Contains increased levels of zinc and phosphorus for better lubricity.

No Viscosity Index Improvers that tend to shear down in high heat.

Synthetic formulation.

Gas & Diesel compatible.

Anti-corrosion additives.

API 'SL' and JASO rated with wet clutch compatibility for other machines.

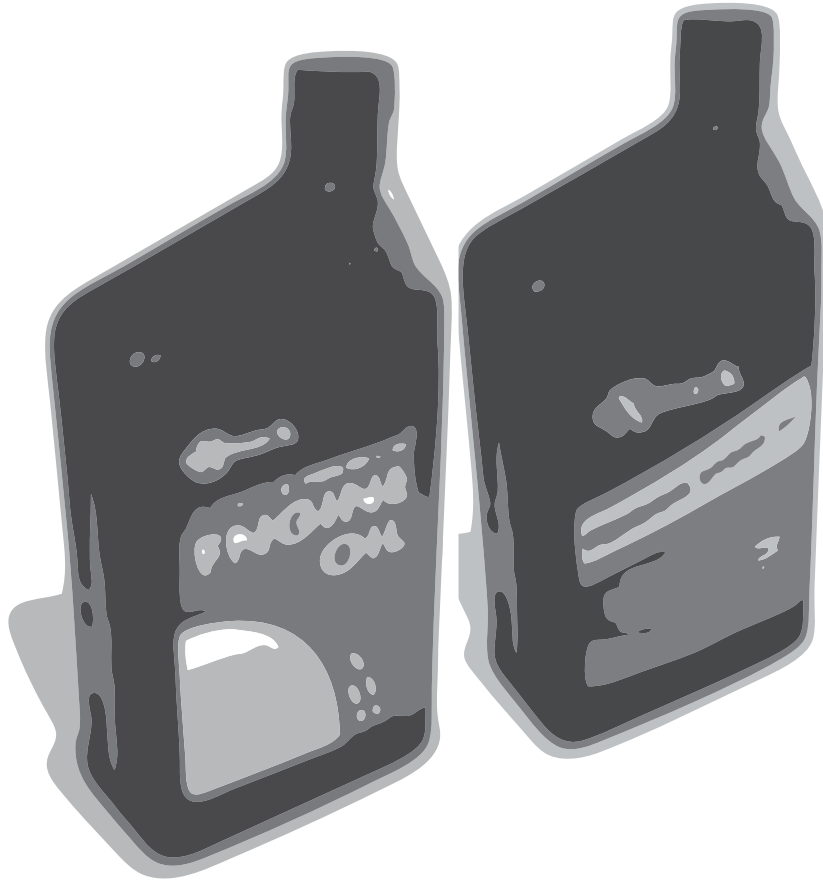
PREMIUM HYDRO OIL

Part No. 109-9828

Commercial quality for tough, high-heat conditions.

Designed specifically for zero-turn mower hydraulic systems.

Superior shear resistance under heavy loads.



Available from your local Exmark dealer. Find your closest dealer at exmark.com

EXMARK ACCESSORIES AND OPTIONS*

MID-MOUNT RIDING ACCESSORIES AND OPTIONS

CUSTOM RIDE SEAT SUSPENSION SYSTEM	OPERATOR CONTROLLED DISCHARGE
FULL SUSPENSION SEAT	SUN SHADE
DECK LIFT ASSIST KIT	TRASH CONTAINER
HITCH KIT	TURF STRIPER
LIGHT KIT	ULTRA VAC COLLECTION SYSTEM
12V POWER PORT	ULTRA VAC QUICK DISPOSAL SYSTEM
MICRO-MULCH SYSTEM	

OUT-FRONT RIDING ACCESSORIES AND OPTIONS

CUSTOM RIDE SEAT SUSPENSION SYSTEM	SNOW BLADE
DUAL-TAIL WHEEL	SNOWBLOWER
FLOOR PAN EXTENDER	SUN SHADE
HITCH KIT	TRASH CONTAINER
LIGHT KIT	ULTRA VAC COLLECTION SYSTEM
MICRO-MULCH SYSTEM	ULTRA VAC QUICK DISPOSAL SYSTEM
ROLL OVER PROTECTION SYSTEM (ROPS)	WEATHER CAB

WALK-BEHIND ACCESSORIES AND OPTIONS

GRASS CATCHER	TURF STRIPER
MICRO-MULCH SYSTEM	STANDON

*Some accessories and options not available for some models.

Place Model No. and Serial No.
Label Here (Included in the Literature
Pack) or Fill in Below

Model No. _____

Serial No. _____

Date Purchased _____

Engine Model No. and Spec. No. _____

Engine Serial No. (E/No) _____

© 2013 Exmark Mfg. Co., Inc.
Industrial Park Box 808
Beatrice, NE 68310
All Rights Reserved

Part No. 4501-471 Rev. B
(402) 223-6285
Fax (402) 223-5489
Printed in the USA.

