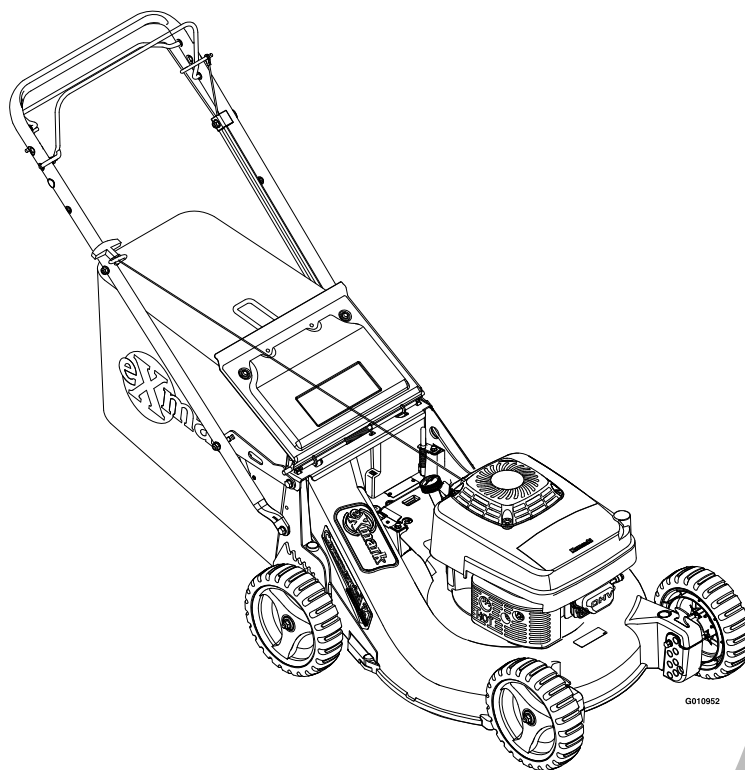




COMMERCIAL 21

Model No. ECXKABBC21—Serial No. 31300000 and Up

Picture below may not reflect actual product.



Parts Manual

Part No. 4501-535 Rev. A

Ordering Replacement Parts

To order replacement parts, please supply the part number, the quantity, and the description of each part desired.

Understanding Reference Numbers

Each identified part in an illustration has a reference number. The reference number for a part also appears in the parts list, along with other information about the part.

This catalog uses two special reference number formats, one to indicate parts in a service assembly and another to indicate the quantity of a given part in an illustration.

Service Assembly Reference Numbers

Parts in service assemblies have reference numbers in the form a:b. The a represents the reference number of the entire service assembly and the b represents a sequential number unique to each part within the service assembly.

For example, a wheel assembly might be identified by reference number 6, the tire by 6:1, the valve by 6:2, and the wheel by 6:3. When you order the assembly identified by reference number 6, you receive all parts identified by reference numbers 6:1, 6:2, and 6:3. However, you may also order any part individually. Reference numbers of this type appear in illustration and in parts lists.

Reference Numbers Indicating Quantity

In an illustration, if a reference number indicates more than one part, the reference number has the form nX y. The n represents the quantity of the part, the X is the multiplication symbol, and the y represents the reference number.

For example, in an illustration, the reference number 2X 37 means that two of the parts identified by reference number 37 are indicated.

List of Abbreviations

| | | |
|--|--|--|
| AR: as required | HJ: hex jam | PRH: phillips round head |
| ASM: assembly | HLH: hex lag head | PTH: phillips truss head |
| BBC: blade brake control | HOC: height-of-cut | PTO: power-take-off |
| BHTF: button head thread forming | HSBH: hex socket button head | RH: right hand |
| CARR: carriage | HSFH: hex socket flat head | ROPS: roll-over protection system |
| CCW: counter clockwise | HSH: hex socket head | RRB: rear roller brush |
| CW: clockwise | HWH: hex washer head | SFH: slotted fillister head |
| DEG: degrees | HWHTF: hex washer head thread forming | SHH: slotted hex head |
| DPA: Dual Point Adjustment | HYD: hydraulic | SHWH: slotted hex washer head |
| ECM: electronic control module | LH: left hand | SPH: slotted pan head |
| EXT: external | LP: Liquefied Petroleum Gas | SQH: square head |
| FH: flat head | LPG: Liquefied Petroleum Gas | SRH: slotted round head |
| GA: gauge | NI: nylon insert | STD: standard |
| HD: heavy-duty | NPTF: national pipe thread fine | TAP: self tapping |
| HF: hex flange | PFH: phillips flat head | TTH: torx truss head |
| HH: hex head | PPH: phillips pan head | |
| HHF: hex head flange | PPHTF: phillips pan head thread forming | |
| HHFTF: hex head flange thread forming | | |

Touch Up Paint

Exmark black touch up spray paint – gloss black.

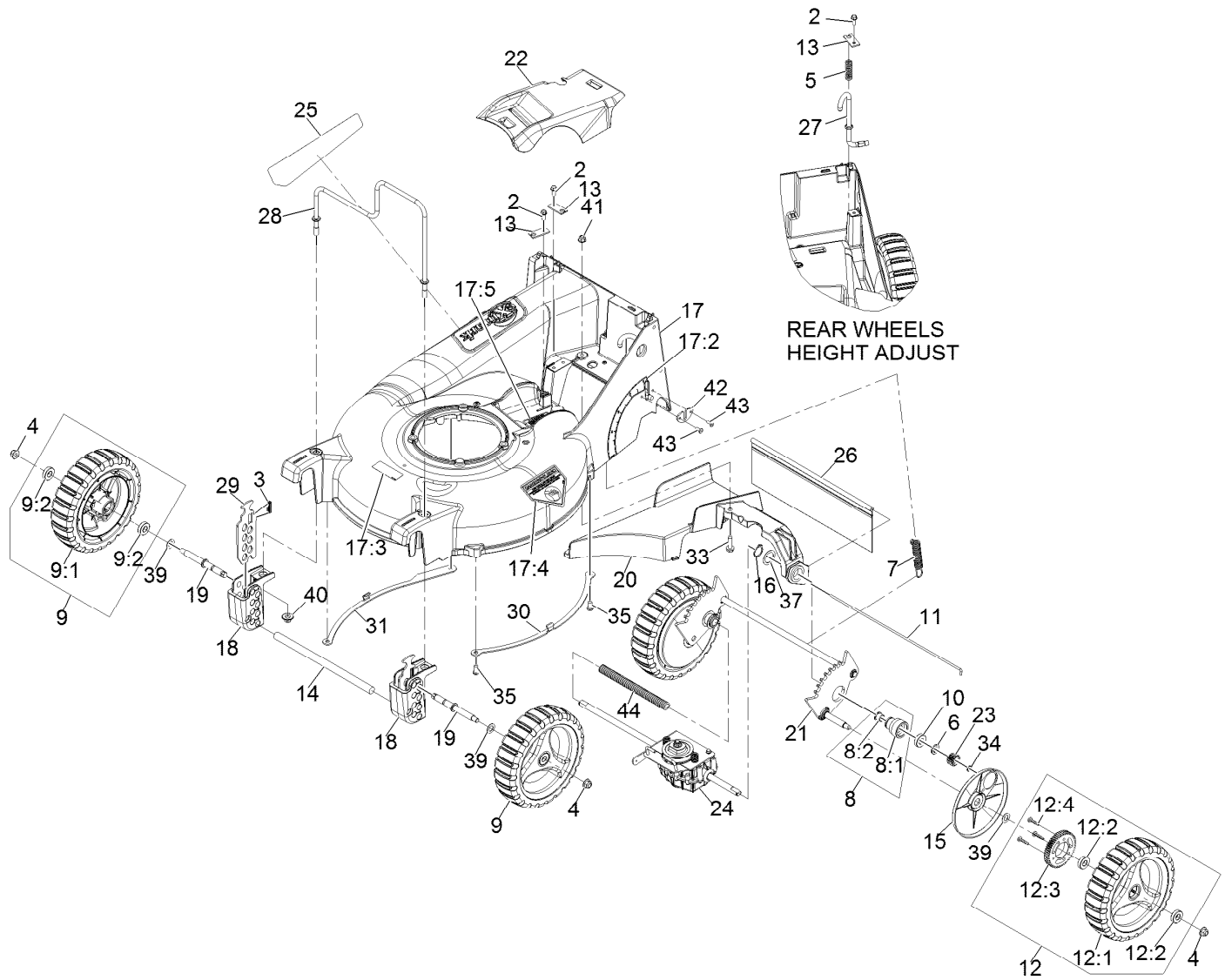
Exmark red touch up paint (spray paint – P/N 1-850337 - .6 oz liquid bottle – P/N 103-9140).



If your Exmark dealer does not have the Exmark part in stock, Exmark will get the parts to the dealer the next business day or the part will be FREE Guaranteed!! (Some restrictions apply. See your participating Exmark Dealer for details.)

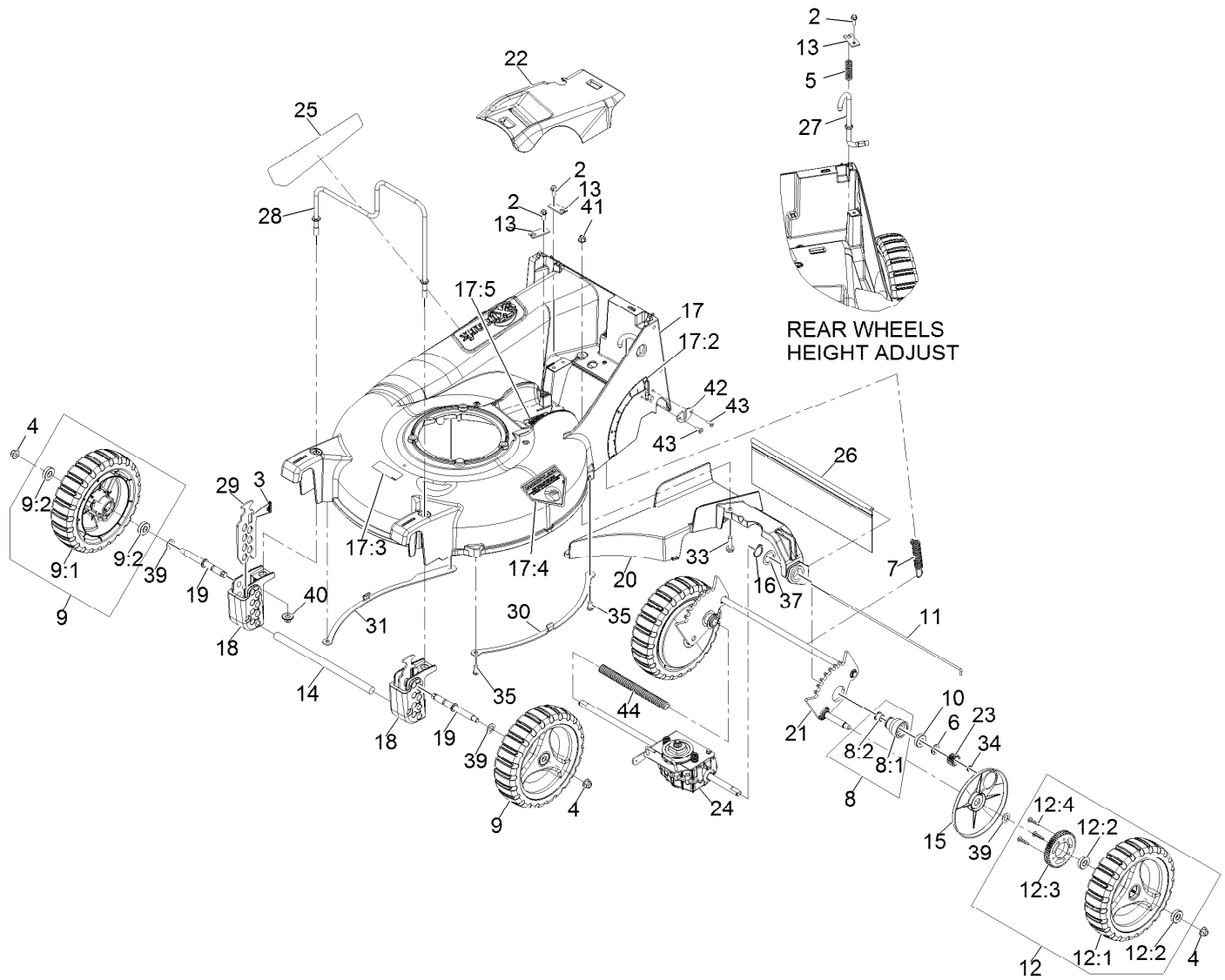
Contents

Deck and Wheel Assembly 4
Gear Case Assembly - 116-0103..... 6
Handle Assembly 7
Bag and Door Assembly 8
Blade Assembly 9
Engine Assembly 10



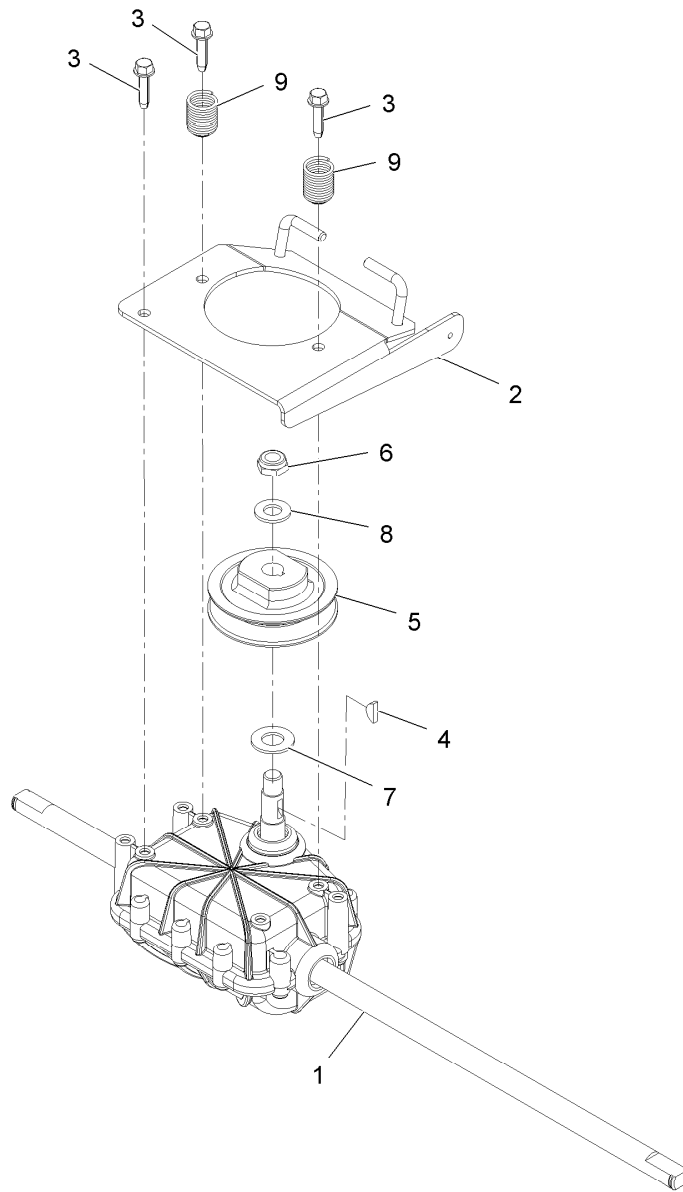
Deck and Wheel Assembly

| Ref. | Part Number | Qty. | Description | Ref. | Part Number | Qty. | Description |
|------|-------------|------|------------------------|------|-------------|------|--------------------------------|
| 2 | 32144-85 | 3 | Screw-HWH 1/4-20 X .62 | 15 | 109-9287 | 2 | Cover,Gear |
| 3 | 109-7258 | 2 | Spring-Compression | 16 | 32151-36 | 2 | Ring-Retaining |
| 4 | 104-8301 | 4 | Nut-Nyloc 3/8-16 Flg | 17 | 116-2006 | 1 | Deck W/Decals |
| 5 | 109-7694 | 1 | Spring-Compression | 17:2 | 116-1922 | 1 | Decal-Height Of Cut |
| 6 | 108-5059 | 2 | Spacer-Bushing | 17:3 | 68-7410 | 1 | Decal-Blade |
| 7 | 109-7692 | 1 | Spring-Extension | 17:4 | 94-8072 | 1 | Decal-Danger |
| 8 | 116-6172 | 2 | Housing ASM | 17:5 | 109-9317 | 1 | Decal-Cover Missing |
| 8:1 | 116-6171 | 1 | Housing-Bearing | 18 | 109-9302 | 2 | Block,Front Quadrant |
| 8:2 | 116-4279 | 1 | Bearing-Flange | 19 | 116-0994 | 2 | Axle-Wheel |
| 9 | 109-8016 | 2 | Wheel And Tire ASM | 20 | 116-9646-01 | 1 | Bracket-Transmission And Chute |
| 9:1 | 109-8033 | 1 | 9-Inch Wheel ASM | 21 | 109-9312 | 1 | Wld,Rear Axle P21 |
| 9:2 | 109-8020 | 2 | Bearing-Ball | 22 | 109-9324 | 1 | Cover,Belt |
| 10 | 109-8020 | 2 | Bearing-Ball | 23 | 110-9417 | 2 | Gear-Pinion, 15T |
| 11 | 109-8025 | 1 | Rod,Shield | 24 | 116-0103 | 1 | ASM,Transmission W/Bracket |
| 12 | 109-8032 | 2 | ASM,Rear Wheel 9" | 25 | 116-4385 | 1 | Decal-Comm 21 X-Series |
| 12:1 | 109-8033 | 1 | 9-Inch Wheel ASM | 26 | 116-0252 | 1 | Shield-Trailing P21 |
| 12:2 | 109-8020 | 2 | Bearing-Ball | 27 | 116-0329 | 1 | Rod-Height Adj P21 |
| 12:3 | 109-7264 | 1 | Gear | 28 | 116-0522 | 1 | Guard,Engine |
| 12:4 | 27-6260 | 3 | Screw-Drive | 29 | 109-9292 | 2 | Plate, Front Height |
| 13 | 109-8441 | 3 | Bracket,Mount | | | | |
| 14 | 109-8454 | 1 | Rod,Bumper | | | | |



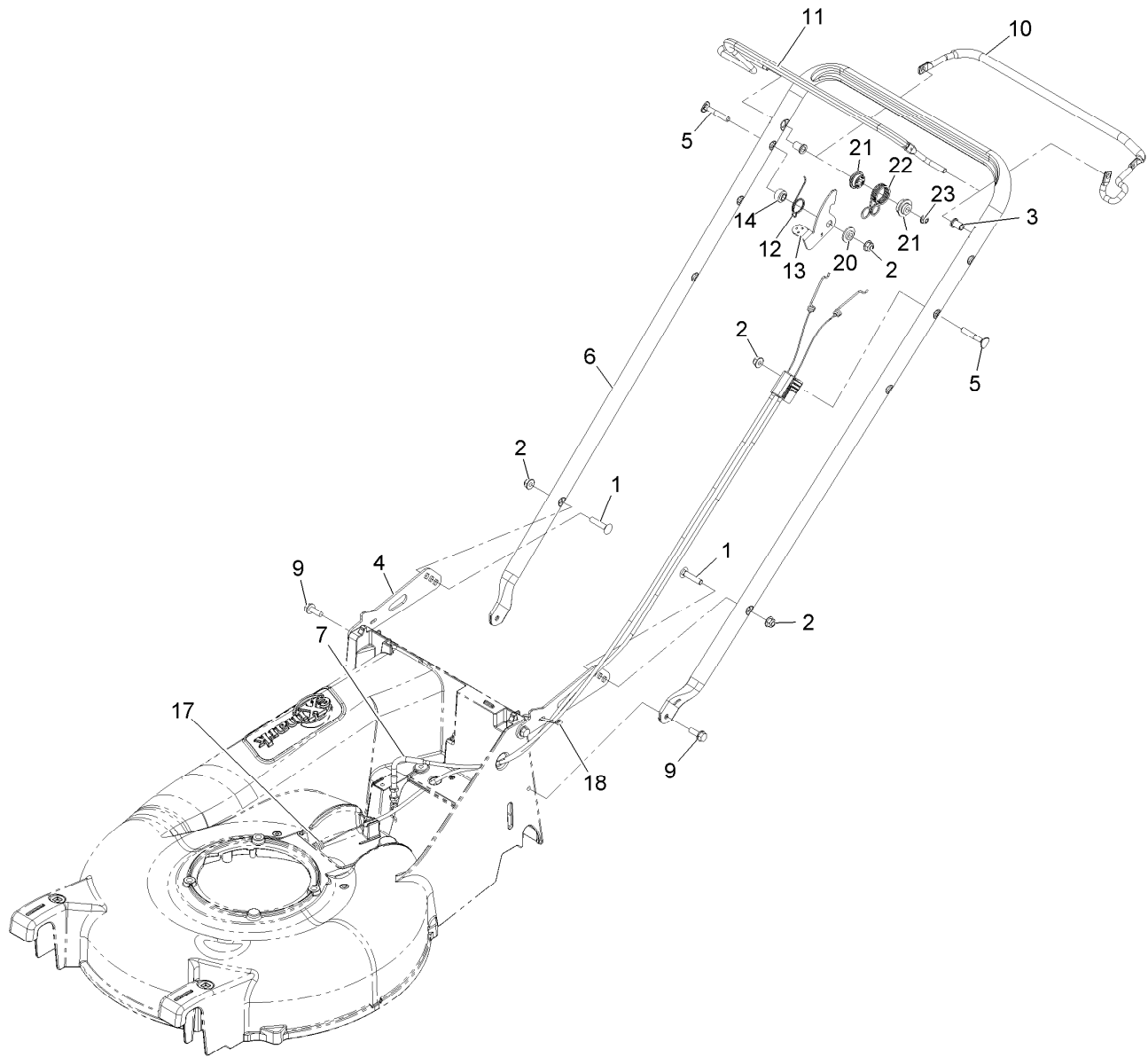
Deck and Wheel Assembly (continued)

| Ref. | Part Number | Qty. | Description | Ref. | Part Number | Qty. | Description |
|------|-------------|------|-------------------------------------|------|-------------|------|-----------------------|
| 30 | 116-0995-03 | 1 | Skid,LH | 37 | 74-1810 | 2 | Washer |
| 31 | 116-0996-03 | 1 | Skid,RH | 39 | 36-4780 | 4 | Washer |
| 33 | 32144-49 | 1 | Screw-HWH 5/16-18 1 1/4 Tf | 40 | 109-6658 | 2 | Nut-Nyloc 3/8-16 Flg |
| 34 | 32151-61 | 2 | Ring-Retaining | 41 | 104-8300 | 1 | Nut-Nyloc 5/16-18 Flg |
| 35 | 613381 | 4 | Screw-Button Head 5/16-18 X .725 Tf | 42 | 116-2221 | 1 | Plate,Wear |
| | | | | 43 | 114439 | 2 | Rivet |
| | | | | 44 | 117-5260 | 1 | Cover-Shaft, Drive |



Gear Case Assembly - 116-0103

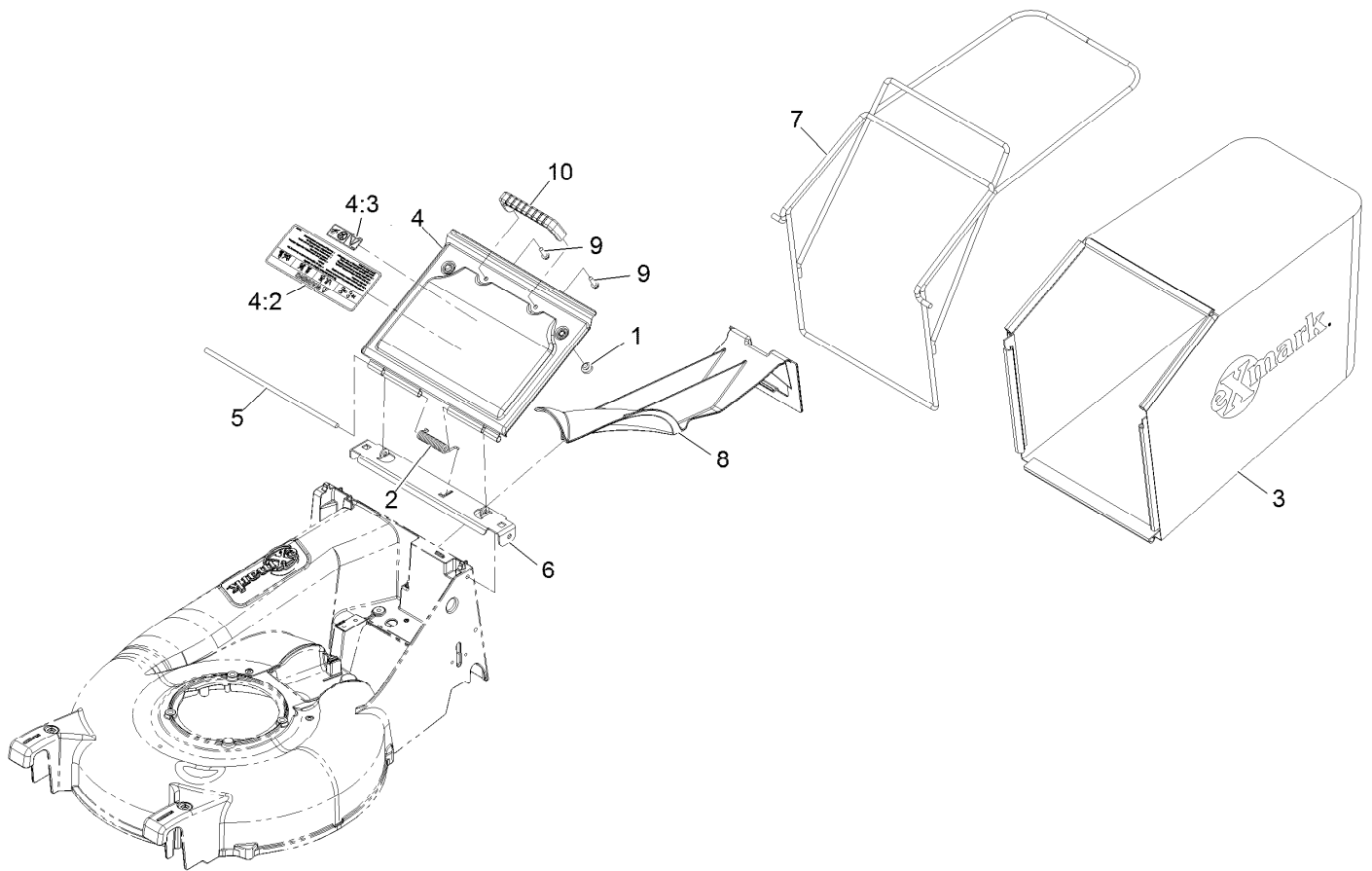
| Ref. | Part Number | Qty. | Description |
|------|-------------|------|------------------------|
| 1 | 109-9290 | 1 | Transmission-HD, 4.5/1 |
| 2 | 116-3539-03 | 1 | Transmission Plate ASM |
| 3 | 27-0220 | 3 | Screw-Special |
| 4 | 3257-1 | 1 | Key-Woodruff 1/8 X 1/2 |
| 5 | 39-6740 | 1 | Pulley |
| 6 | 3296-5 | 1 | Nut-Nyloc 3/8-24 Thin |
| 7 | 36-4792 | 1 | Washer-Thrust |
| 8 | 3256-45 | 1 | Washer-Flat |
| 9 | 116-1438 | 2 | Spring, Compression |



Handle Assembly

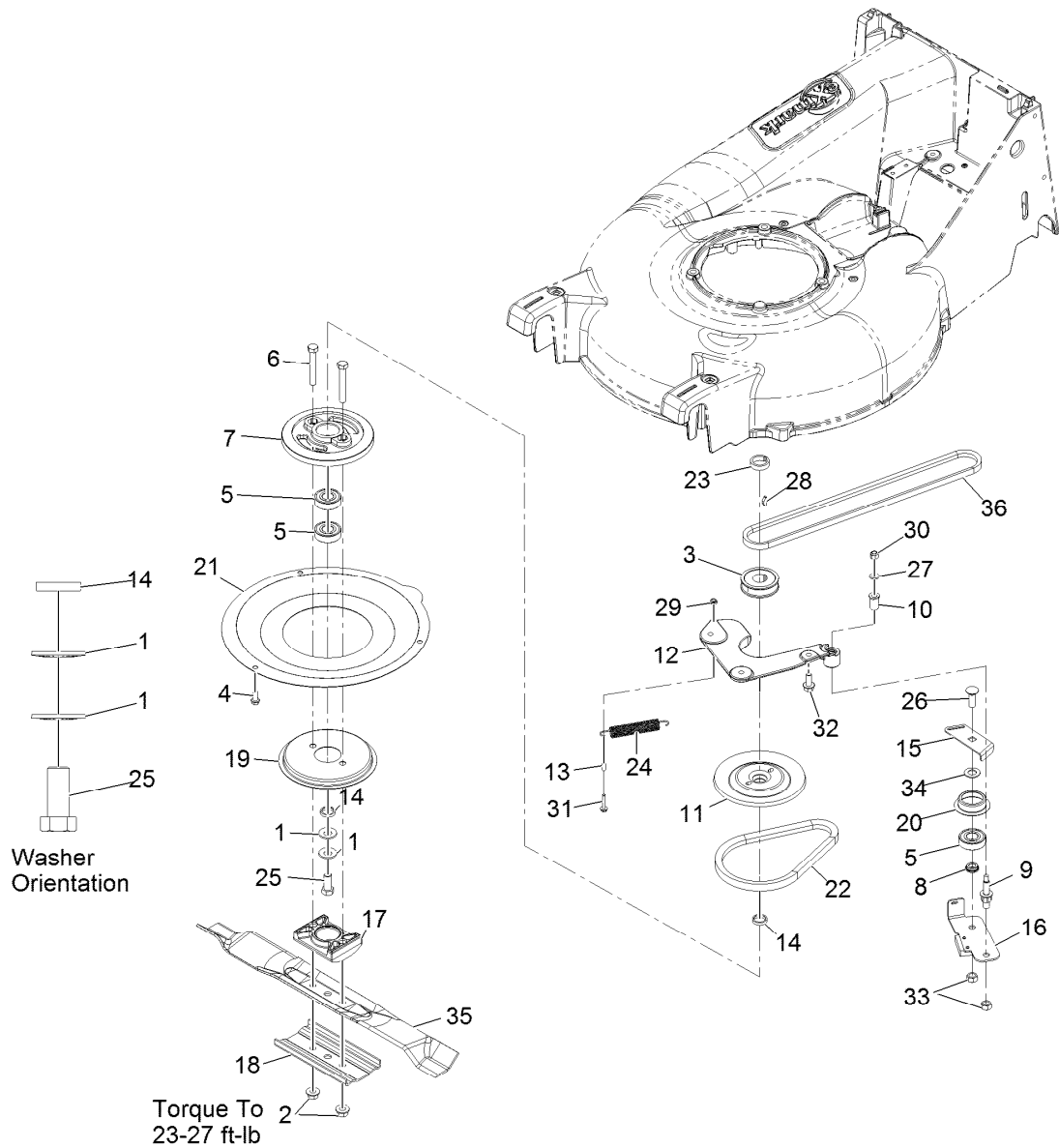
| Ref. | Part Number | Qty. | Description |
|------|-------------|------|--------------------------------|
| 1 | 33-5790 | 2 | Bolt-Carriage 5/16-18 X 1 1/2 |
| 2 | 104-8300 | 4 | Nut-Nyloc 5/16-18 Flg |
| 3 | 116-1478 | 2 | Bushing-Handlebar |
| 4 | 109-9323-03 | 2 | Bracket,Handlebar |
| 5 | 112-8876 | 2 | Bolt-Carriage 5/16-18 X 2 |
| 6 | 116-0119-03 | 1 | Handlebar-P21 |
| 7 | 116-0904 | 1 | Cable-Drive |
| 9 | 32144-41 | 4 | Screw-HWH 3/8-16 X 7/8 Taptite |
| 10 | 116-7907 | 1 | Bail-Drive Coated |

| Ref. | Part Number | Qty. | Description |
|------|-------------|------|-----------------------|
| 11 | 109-8442 | 1 | Bail |
| 12 | 109-9318 | 1 | Spring-Lever, BBC |
| 13 | 116-2998 | 1 | Lever-BBC |
| 14 | 116-2690 | 1 | Bushing-Stepped |
| 17 | 116-0901 | 1 | Cable-BBC |
| 18 | 614249 | 1 | Tie-Cable |
| 20 | 105-3006 | 1 | Washer-Stepped |
| 21 | 109-8457 | 2 | Bushing-Spring, Pivot |
| 22 | 109-9293 | 1 | Spring,BBC Return |
| 23 | 104-7201 | 1 | Nut-Nyloc 1/4-20 Flg |



Bag and Door Assembly

| Ref. | Part Number | Qty. | Description |
|------|-------------|------|---------------------------------|
| 1 | 1-513658 | 2 | Bumper |
| 2 | 109-7696 | 1 | Spring-Torsion,Cover |
| 3 | 109-7294 | 1 | Bag,Grass P21 |
| 4 | 116-2007 | 1 | Door W/Decal |
| 4:2 | 116-2737 | 1 | Decal-Warning Door Lg |
| 4:3 | 121-1449 | 1 | Decal-Warning, Block |
| 5 | 109-9321 | 1 | Rod,Door Pivot |
| 6 | 109-9322-03 | 1 | Bracket-Door P21 |
| 7 | 109-9325-03 | 1 | Wld,Bag Frame |
| 8 | 116-0251 | 1 | Plug,Mulch |
| 9 | 46-8091 | 2 | Screw-HWH 1/4-10 X .82 Plastite |
| 10 | 65-5100 | 1 | Handle-Door |

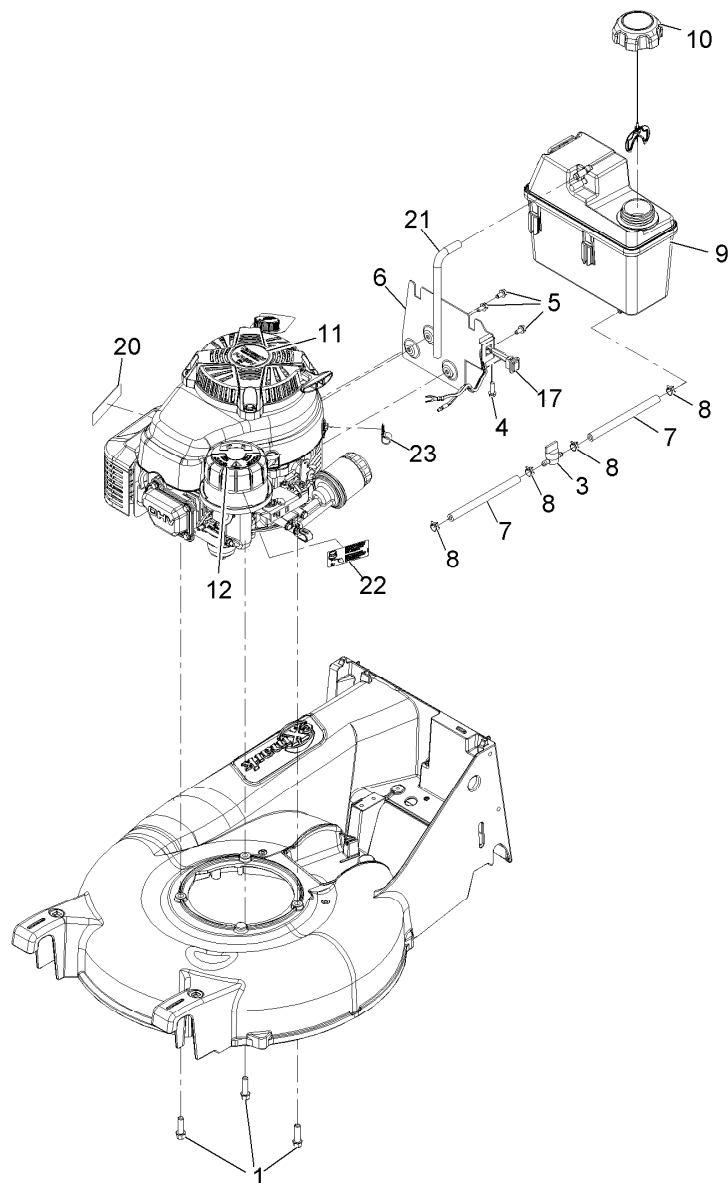


Blade Assembly

| Ref. | Part Number | Qty. | Description |
|------|-------------|------|-------------------------|
| 1 | 1-603610 | 2 | Washer-Spring Disc 7/16 |
| 2 | 54-9190 | 2 | Nut-Hex 3/8-24 Lock |
| 3 | 56-6180 | 1 | Pulley-Driver |
| 4 | 32144-85 | 3 | Screw-HWH 1/4-20 X .62 |
| 5 | 100-1048 | 3 | Bearing-Ball |
| 6 | 3211-42 | 2 | Screw-HH 3/8-24 X 2 1/2 |
| 7 | 107-0754 | 1 | Drum |
| 8 | 107-0758 | 1 | Spacer-Bearing |
| 9 | 107-0759 | 1 | Bolt-Shoulder |
| 10 | 107-0797 | 1 | Bushing |
| 11 | 107-4277-03 | 1 | Pulley-Driver, Upper |
| 12 | 116-3572 | 1 | Plate-Mounting, BBC |
| 13 | 107-4292 | 1 | Spacer-BBC |
| 14 | 107-4293 | 2 | Spacer-Plate, BBC |
| 15 | 107-7471 | 1 | Plate-Guide |
| 16 | 120-9514 | 1 | Plate-Brake, ASM |
| 17 | 107-7487 | 1 | Support-Blade |
| 18 | 108-3766-03 | 1 | Support-Blade |
| 19 | 108-3787 | 1 | Disc |

| Ref. | Part Number | Qty. | Description |
|------|-------------|------|------------------------------|
| 20 | 108-3790 | 1 | Retainer-Belt |
| 21 | 116-3360-03 | 1 | Cover-BBC |
| 22 | 110-1790 | 1 | Belt-BBC |
| 23 | 110-2142 | 1 | Spacer-Pulley |
| 24 | 115-4471 | 1 | Spring-Extension |
| 25 | 3212-4 | 1 | Screw-HH 7/16-20 X 1 ● |
| 26 | 3231-38 | 1 | Bolt-Carriage 3/8-16 X 1 1/4 |
| 27 | 3256-16 | 1 | Washer-#12 Std |
| 28 | 3257-17 | 1 | Key-Woodruff 5/32 X 21/32 |
| 29 | 3296-27 | 1 | Nut-Lock #10-32 |
| 30 | 3296-42 | 1 | Nut-Nyloc 1/4-20 |
| 31 | 32144-9 | 1 | Screw-HWH #10-32 X 1 Taptite |
| 32 | 33104-020 | 3 | Screw-HH M8-1.25 X 20Mm ● |
| 33 | 603773 | 2 | Nut-Hex 3/8-16 Side Lock |
| 34 | 605256 | 1 | Washer-Plain |
| 35 | 116-4500 | 1 | Blade-Medium Lift, 20.5 |
| 36 | 109-7299 | 1 | Belt,3L P21 Drive |

● Use Pro-Lock, Nut Type (P/N 1-840022, .5ml tube) on threads.



Engine Assembly

| Ref. | Part Number | Qty. | Description | Ref. | Part Number | Qty. | Description |
|------|-------------|------|----------------------------------|------|-------------|------|-----------------------|
| 1 | 95-1727 | 3 | Screw-HWH 3/8-16 X 1 1/4 Taptite | 9 | 114-0280 | 1 | Tank-Fuel |
| 3 | 1-603770 | 1 | Valve-Fuel | 10 | 109-6776 | 1 | Cap-Ratchet, Tethered |
| 4 | 46-8091 | 1 | Screw-HWH 1/4-10 X .82 Plastite | 11 | 109-6528 | 1 | Decal, Recoil |
| 5 | 104-2628 | 3 | Screw-HWH M6-1 X 12Mm Tf ● | 12 | 114-3415 | 1 | Decal |
| 6 | 109-9291-03 | 1 | Bracket,Fuel Tank | 17 | 116-2806 | 1 | Harness,Run/Stop |
| 7 | 107-0588 | 2 | Hose-Fuel | 20 | 117-2718 | 1 | Decal-Arrester, Spark |
| 8 | 2412-98 | 4 | Clamp-Hose | 21 | 115-0962 | 1 | Hose-Vent, Canister |
| | | | | 22 | 109-8191 | 1 | Decal, Primer |
| | | | | 23 | 1-513762 | 1 | Clip-Loom 1/2 |

● Use Pro-Lock, Nut Type (P/N 1-840022, .5ml tube) on threads.

Notes:

EXMARK ACCESSORIES AND OPTIONS*

MID-MOUNT RIDING ACCESSORIES AND OPTIONS

| | |
|------------------------------------|---------------------------------|
| CUSTOM RIDE SEAT SUSPENSION SYSTEM | OPERATOR CONTROLLED DISCHARGE |
| FULL SUSPENSION SEAT | SUN SHADE |
| DECK LIFT ASSIST KIT | TRASH CONTAINER |
| HITCH KIT | TURF STRIPER |
| LIGHT KIT | ULTRA VAC COLLECTION SYSTEM |
| 12V POWER PORT | ULTRA VAC QUICK DISPOSAL SYSTEM |
| MICRO-MULCH SYSTEM | |

OUT-FRONT RIDING ACCESSORIES AND OPTIONS

| | |
|------------------------------------|---------------------------------|
| CUSTOM RIDE SEAT SUSPENSION SYSTEM | SNOW BLADE |
| DUAL-TAIL WHEEL | SNOWBLOWER |
| FLOOR PAN EXTENDER | SUN SHADE |
| HITCH KIT | TRASH CONTAINER |
| LIGHT KIT | ULTRA VAC COLLECTION SYSTEM |
| MICRO-MULCH SYSTEM | ULTRA VAC QUICK DISPOSAL SYSTEM |
| ROLL OVER PROTECTION SYSTEM (ROPS) | WEATHER CAB |

WALK-BEHIND ACCESSORIES AND OPTIONS

| | |
|--------------------|--------------|
| GRASS CATCHER | TURF STRIPER |
| MICRO-MULCH SYSTEM | STANDON |

*Some accessories and options not available for some models.

Place Model No. and Serial No.
Label Here (Included in the Literature
Pack) or Fill in Below

Model No. _____

Serial No. _____

Date Purchased _____

Engine Model No. and Spec. No. _____

Engine Serial No. (E/No) _____

© 2013 Exmark Mfg. Co., Inc.
Industrial Park Box 808
Beatrice, NE 68310
All Rights Reserved

Part No. 4501-535 Rev. A
(402) 223-6300
Fax (402) 223-5489
Printed in the USA.

