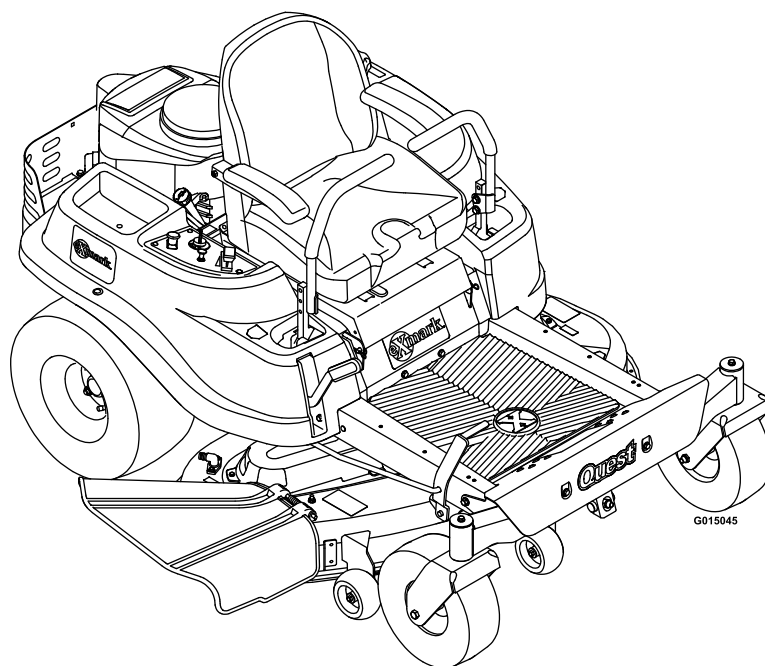




QUEST®

Model No. QTE691KA501—Serial No. 31400000 and Up

Picture below may not reflect actual product.



Parts Manual

Part No. 4501-832 Rev. A

Ordering Replacement Parts

To order replacement parts, please supply the part number, the quantity, and the description of each part desired.

Understanding Reference Numbers

Each identified part in an illustration has a reference number. The reference number for a part also appears in the parts list, along with other information about the part.

This catalog uses two special reference number formats, one to indicate parts in a service assembly and another to indicate the quantity of a given part in an illustration.

Service Assembly Reference Numbers

Parts in service assemblies have reference numbers in the form a:b. The a represents the reference number of the entire service assembly and the b represents a sequential number unique to each part within the service assembly.

For example, a wheel assembly might be identified by reference number 6, the tire by 6:1, the valve by 6:2, and the wheel by 6:3. When you order the assembly identified by reference number 6, you receive all parts identified by reference numbers 6:1, 6:2, and 6:3. However, you may also order any part individually. Reference numbers of this type appear in illustration and in parts lists.

Reference Numbers Indicating Quantity

In an illustration, if a reference number indicates more than one part, the reference number has the form nX y. The n represents the quantity of the part, the X is the multiplication symbol, and the y represents the reference number.

For example, in an illustration, the reference number 2X 37 means that two of the parts identified by reference number 37 are indicated.

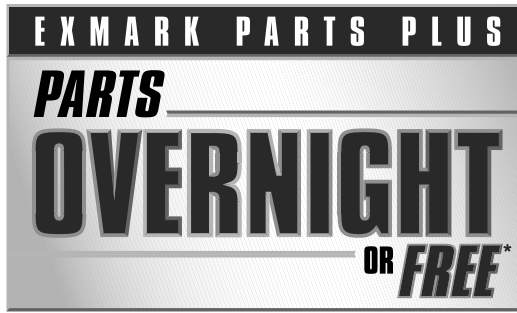
List of Abbreviations

AR: as required	HJ: hex jam	PRH: phillips round head
ASM: assembly	HLH: hex lag head	PTH: phillips truss head
BBC: blade brake control	HOC: height-of-cut	PTO: power-take-off
BHTF: button head thread forming	HSBH: hex socket button head	RH: right hand
CARR: carriage	HSFH: hex socket flat head	ROPS: roll-over protection system
CCW: counter clockwise	HSH: hex socket head	RRB: rear roller brush
CW: clockwise	HWH: hex washer head	SFH: slotted fillister head
DEG: degrees	HWHTF: hex washer head thread forming	SHH: slotted hex head
DPA: Dual Point Adjustment	HYD: hydraulic	SHWH: slotted hex washer head
ECM: electronic control module	LH: left hand	SPH: slotted pan head
EXT: external	LP: Liquefied Petroleum Gas	SQH: square head
FH: flat head	LPG: Liquefied Petroleum Gas	SRH: slotted round head
GA: gauge	NI: nylon insert	STD: standard
HD: heavy-duty	NPTF: national pipe thread fine	TAP: self tapping
HF: hex flange	PFH: phillips flat head	TTH: torx truss head
HH: hex head	PPH: phillips pan head	
HHF: hex head flange	PPHTF: phillips pan head thread forming	
HHFTF: hex head flange thread forming		

Touch Up Paint

Exmark black touch up spray paint – gloss black.

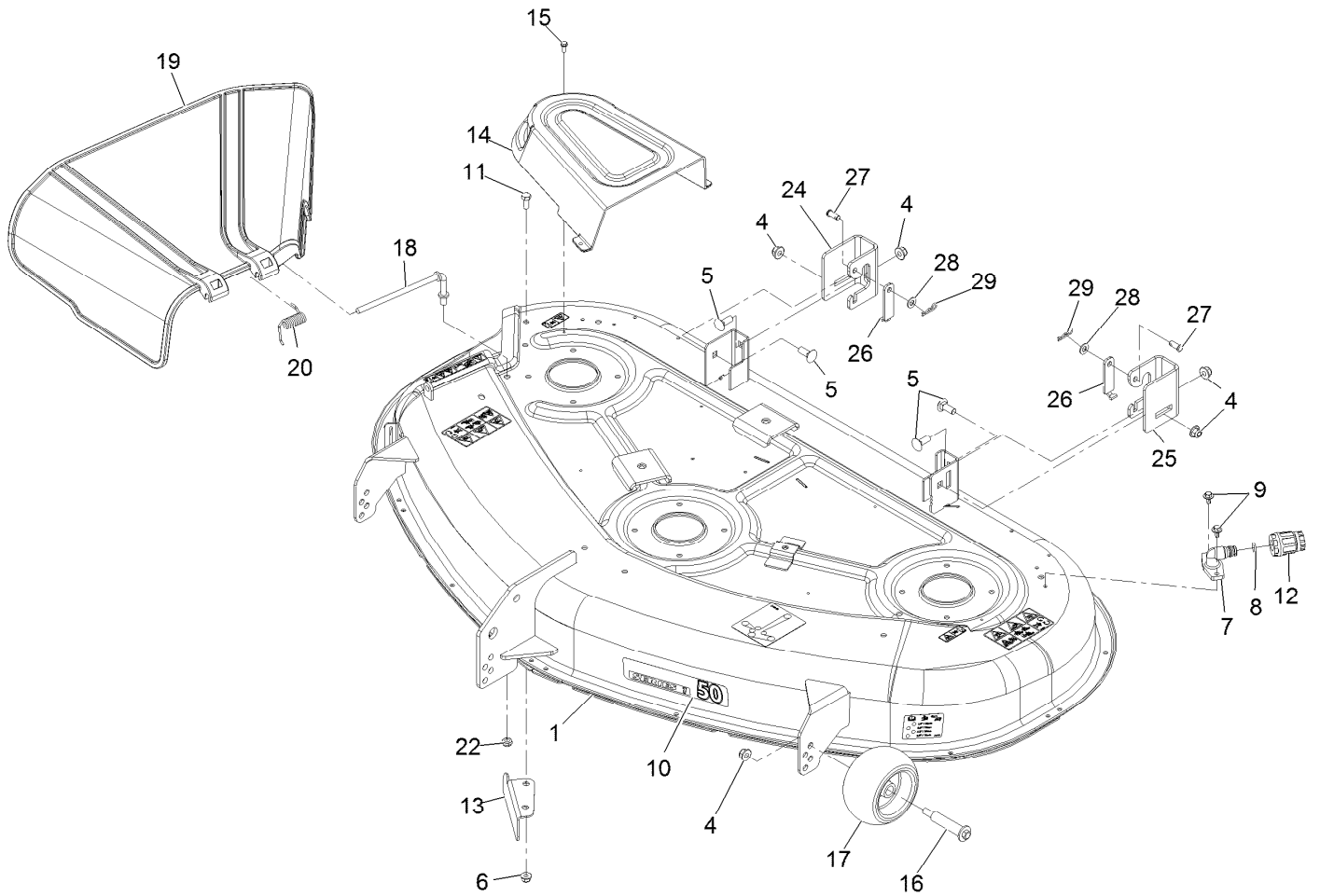
Exmark red touch up paint (spray paint – P/N 1-850337 - .6 oz liquid bottle – P/N 103-9140).



If your Exmark dealer does not have the Exmark part in stock, Exmark will get the parts to the dealer the next business day or the part will be FREE Guaranteed!! (Some restrictions apply. See your participating Exmark Dealer for details.)

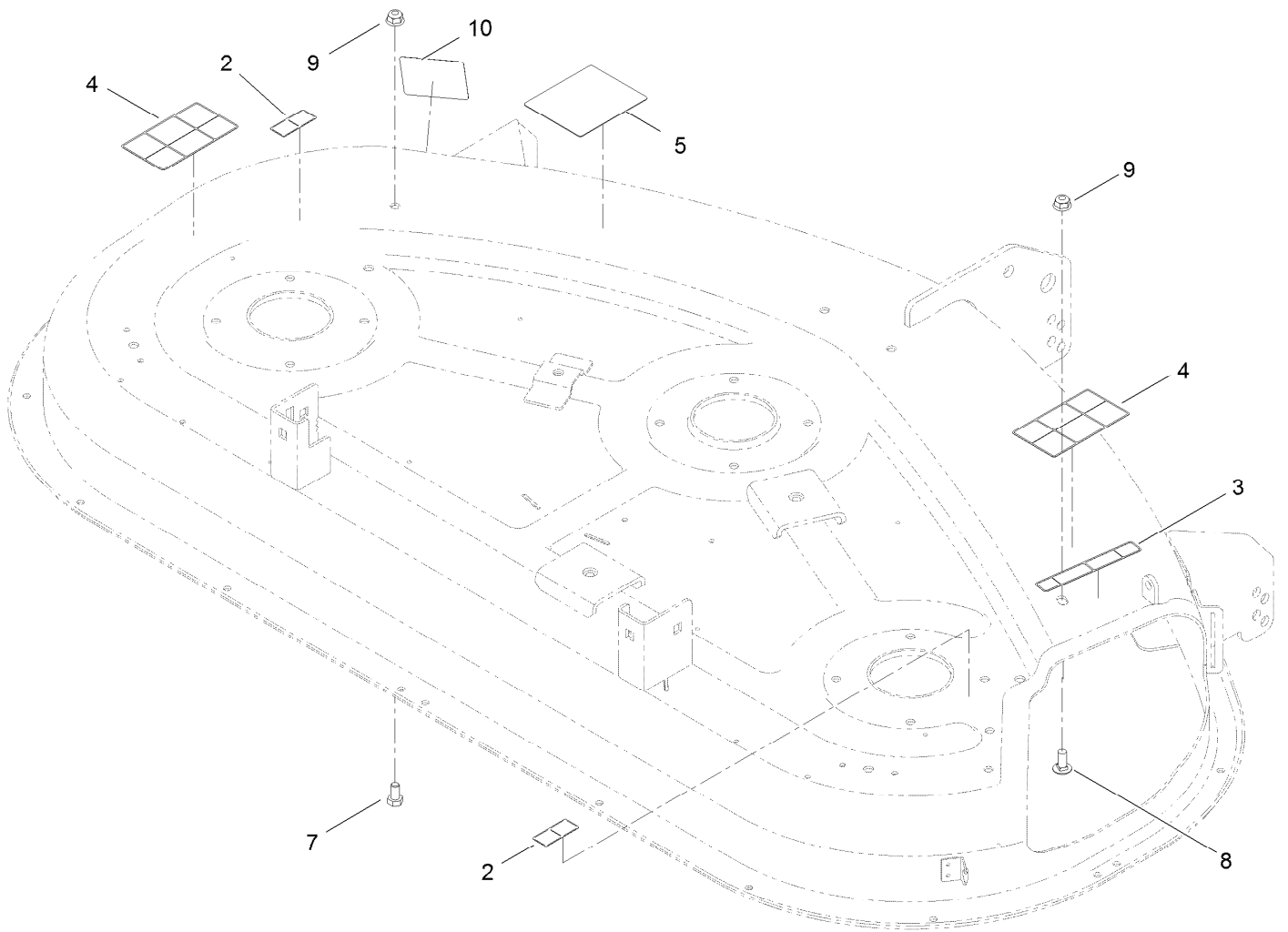
Contents

50 Inch Deck Assembly	4
50 Inch Deck Decal Assembly No. 119-8841	5
50 Inch Deck Belt, Spindle and Blade Assembly	6
Main Frame and Front Axle Assembly	7
13 Inch Wheel and Tire Assembly	8
Deck Lift Assembly	9
Motion Control Assembly	10
Seat Assembly	11
Seat W/Track Assembly No. 121-5670	12
Armrest Kit Assembly No. 110-5719	13
Engine and Muffler Assembly	14
Clutch Assembly	15
Controls and Fuel Tank	16
Fuel Delivery Assembly	17
Hydro Transaxle Drive and Rear Wheel Assembly	18
Left Hand Hydro Transaxle Assembly No. 119-3350	20
Right Hand Hydro Transaxle Assembly No. 119-3351	22
Belt and Pulley Assembly	24
Electrical Assembly	25



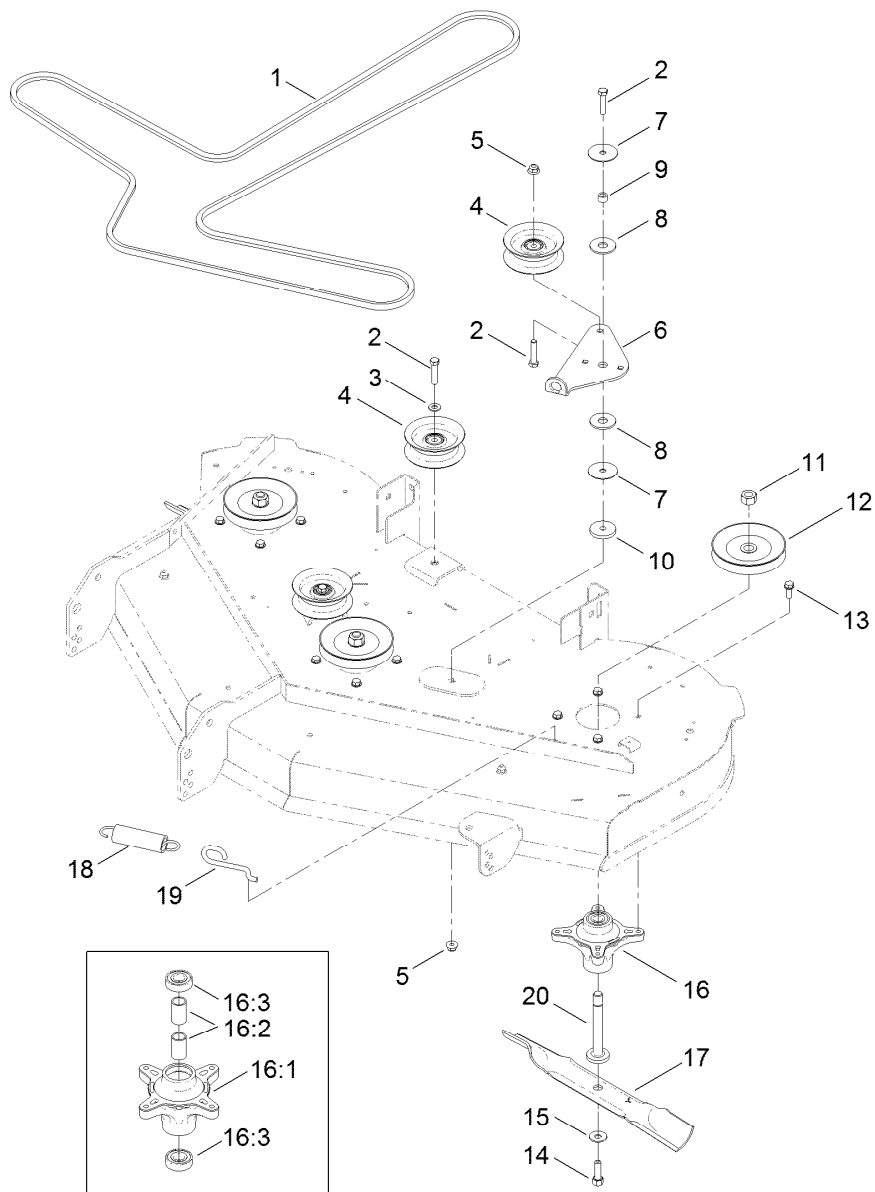
50 Inch Deck Assembly

Ref.	Part Number	Qty.	Description	Ref.	Part Number	Qty.	Description
1	119-8841	1	50 Inch Deck And Decal ASM	16	112-3977	3	Bolt-HH Shoulder 3/8-16 X 3.79
4	104-8301	7	Nut-Nyloc 3/8-16 Flg	17	1-603299	3	Roller-Scalp, Anti
5	3231-2	4	Bolt-Carriage 3/8-16 X 1	18	112-3950	1	Rod-Pivot
6	104-8300	2	Nut-Nyloc 5/16-18 Flg	19	108-7895	1	Deflector
7	95-2747	2	Fitting-Washout	20	110-6694	1	Spring-Torsion
8	46-6290	2	O-Ring	22	3296-59	1	Nut-Nyloc 3/8-16 Thin
9	46-8560	4	Screw-HHF 1/4-20 X 1/2	24	130-6888	1	Bracket - Hanger, Rr
10	126-1768	1	Decal-Series 1 - 50	25	130-6890	1	Bracket - Hanger, Lr
11	322-3	2	Screw-HH 5/16-18 X 3/4	26	130-6891	2	Link - Deck Retention
12	95-3270	1	Connector-Hose	27	283-62	2	Pin-Clevis
13	112-3983-03	1	Baffle-Cutoff	28	3256-23	2	Washer-Flat
14	108-7890	2	Cover-Belt	29	1-806003	2	Pin-Cotter, Hair
15	32144-1	6	Screw-HWH #10-24 X 1/2 Taptite				



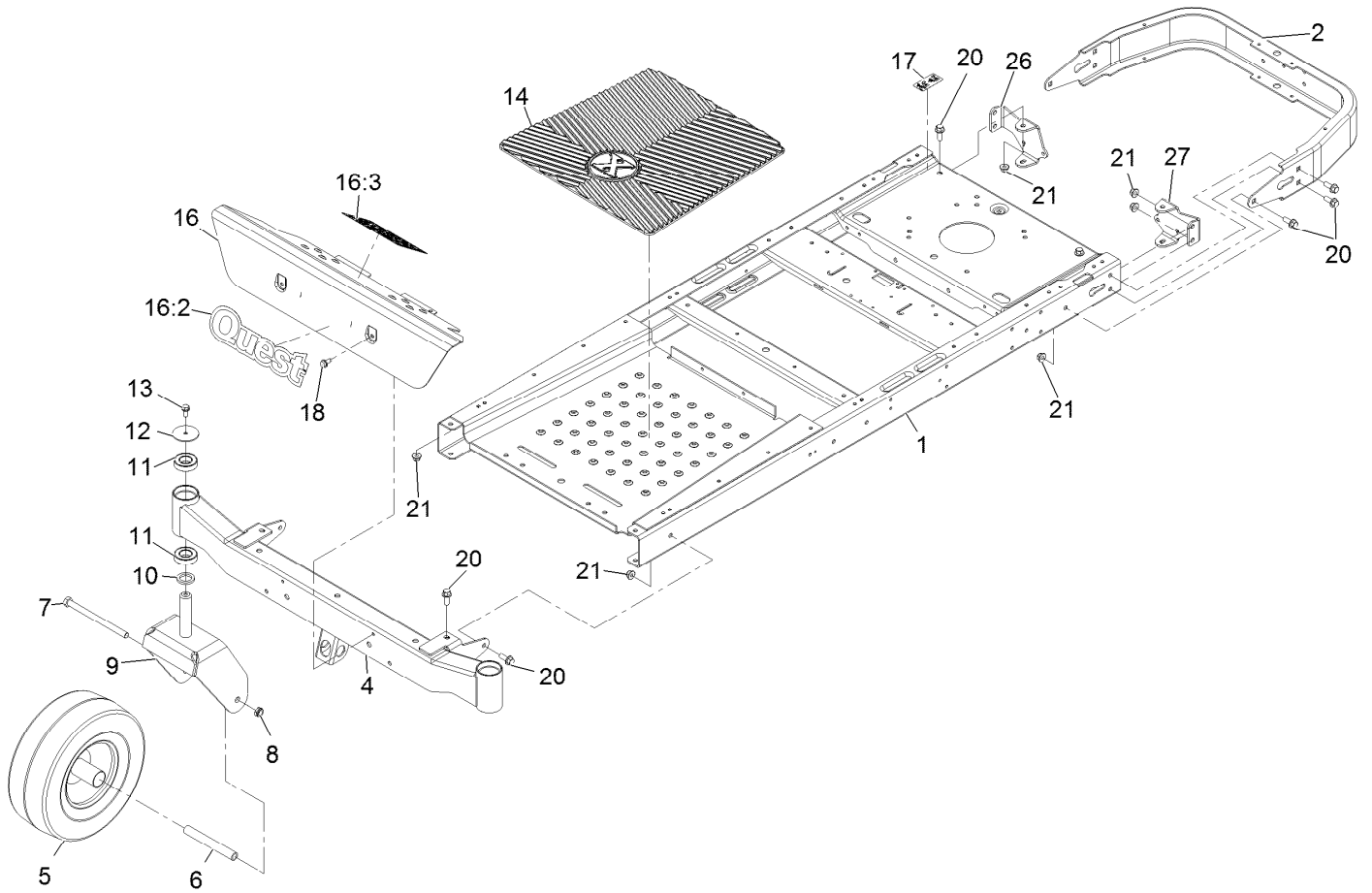
50 Inch Deck Decal Assembly No. 119-8841

<i>Ref.</i>	<i>Part Number</i>	<i>Qty.</i>	<i>Description</i>
2	114-1606	2	Decal-Danger
3	93-7009	1	Decal-Danger
4	110-6691	2	Decal-Danger
5	99-3943	1	Decal-Routing, Belt
7	322-2	1	Screw-HH 5/16-18 X 5/8
8	3230-23	1	Bolt-Carriage 5/16-18 X 3/4 Short Neck
9	104-8300	2	Nut-Nyloc 5/16-18 Flg
10	112-9840	1	Decal-Scalp, Anti



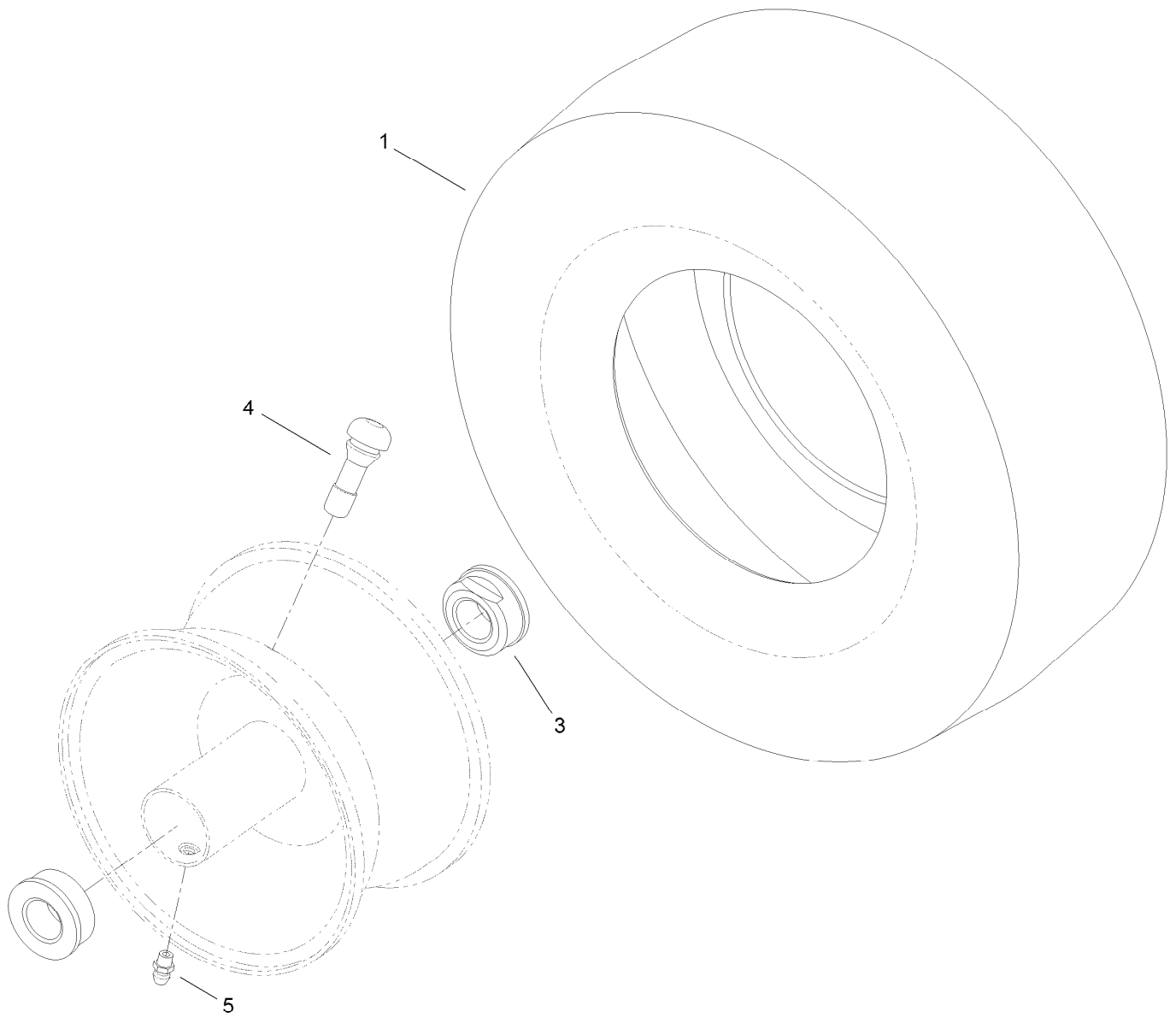
50 Inch Deck Belt, Spindle and Blade Assembly

Ref.	Part Number	Qty.	Description	Ref.	Part Number	Qty.	Description
1	119-8820	1	V-Belt	13	32144-41	12	Screw-HWH 3/8-16 X 7/8 Taptite
2	323-9	3	Screw-HH 3/8-16 X 1 3/4	14	26-0671	3	Screw-HH
3	3256-24	2	Washer-3/8 Sae	15	3290-465	3	Washer-Spring Disc
4	106-2175	3	Pulley-Idler, Flat	16	121-0751	3	Spindle ASM
5	104-8301	1	Nut-Nyloc 3/8-16 Flg	16:1	117-7267	1	Spindle
6	114-8540	1	Arm-Idler	16:2	120-7935	2	Spacer
7	120-2229	2	Washer-Idler Pivot	16:3	100-1048	2	Bearing-Ball
8	114-0463	2	Washer-Friction, Composite	17	115-5059-03	3	Blade-Hi Lift, 17.50 Inch
9	115-4986	1	Spacer	18	1-603414	1	Spring-Extension
10	323-7	1	Screw-HH 3/8-16 X 1 1/4	19	112-3973	1	Hook-Return, Spring
11	3219-6	3	Nut-Hex 5/8-18	20	117-7268	3	Shaft-Spindle
12	125-5575	3	Pulley				



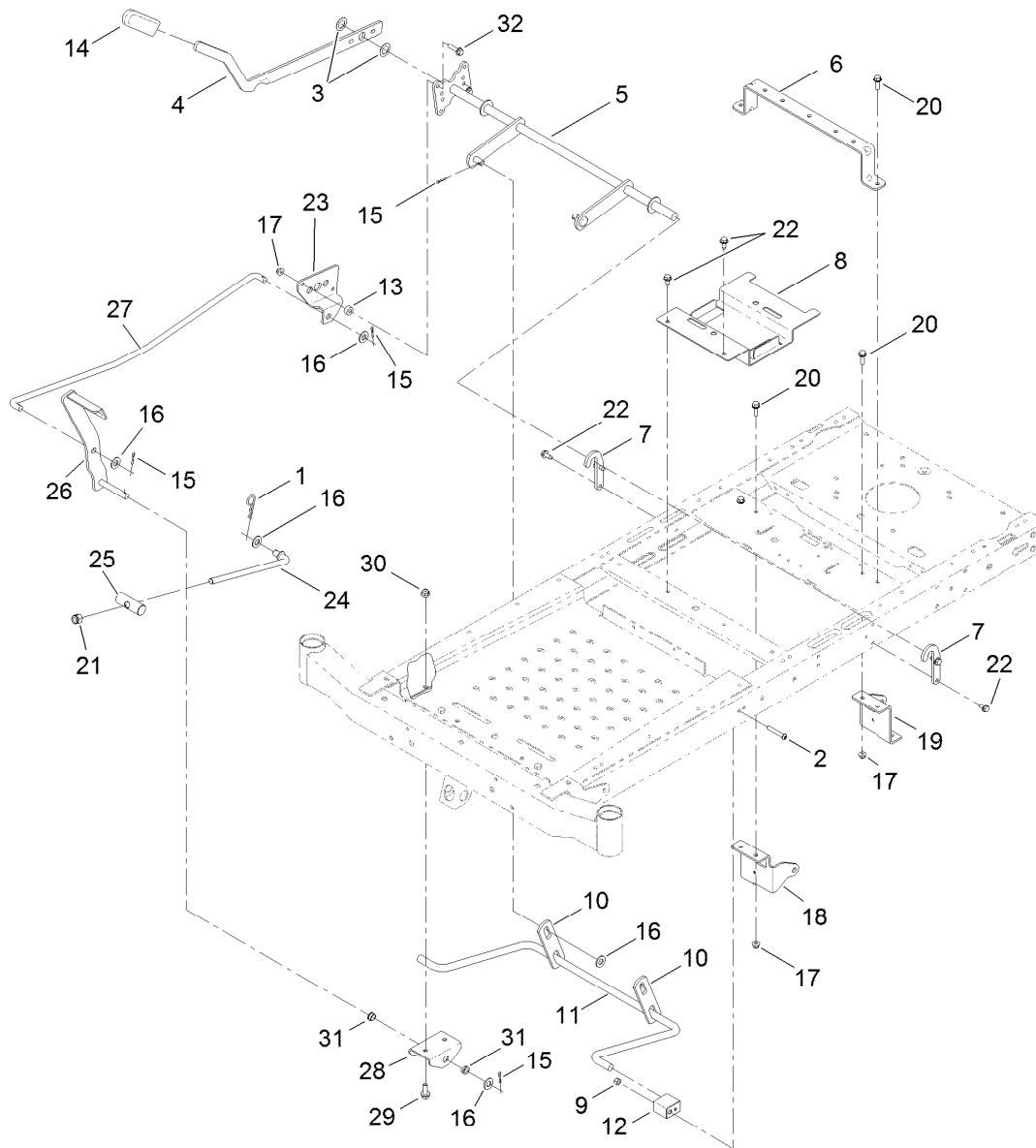
Main Frame and Front Axle Assembly

<i>Ref.</i>	<i>Part Number</i>	<i>Qty.</i>	<i>Description</i>	<i>Ref.</i>	<i>Part Number</i>	<i>Qty.</i>	<i>Description</i>
1	120-7963-01	1	Frame	13	3234-47	2	Screw-HH Flg 5/16-18 X 3/4
2	117-7415-01	1	Bumper-Rear (Wide)	14	120-5456	1	Mat-Floor
4	120-5513-01	1	Axle-Front, Wide	16	125-0073	1	Footrest Service ASM
5	119-3473	2	13 Inch Wheel And Tire ASM	16:2	116-4218	1	Decal
6	119-3475	2	Spanner	16:3	120-2239	1	Decal-Danger
7	325-37	2	Screw-HH	17	121-2989	2	Decal-Bypass
8	3296-45	2	Nut-Nyloc 1/2-13 Thin	18	32144-70	2	Screw-HWH 5/16-18 X 3/4 Tf
9	119-3349-01	2	Fork-Caster (Wide)	20	3234-42	14	Screw HHF 3/8-16 X 1
10	117-7394	2	Washer-Thrust	21	104-8301	14	Nut-Nyloc 3/8-16 Flg
11	109-3678	4	Bearing-Ball	26	121-0737-01	1	Mount-Hydro, Rear (RH)
12	119-8915	2	Washer	27	121-0738-01	1	Mount-Hydro, Rear (LH)



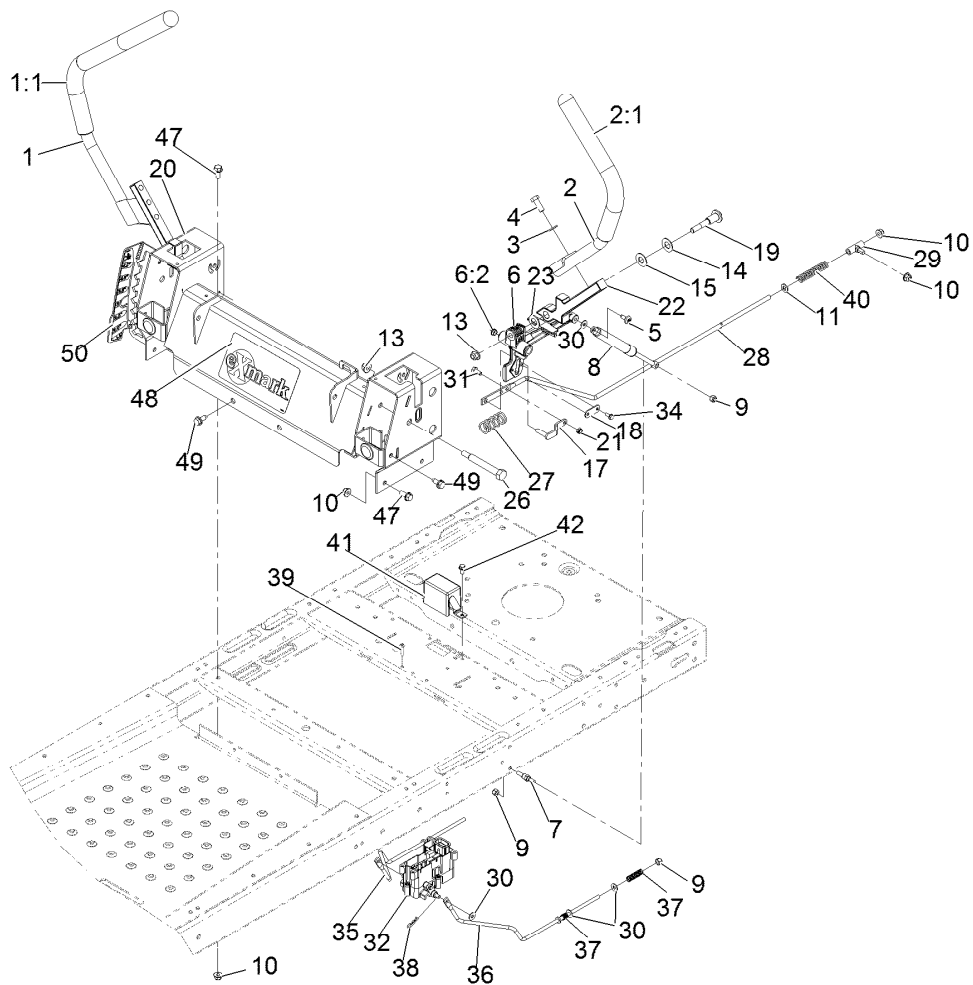
13 Inch Wheel and Tire Assembly

<i>Ref.</i>	<i>Part Number</i>	<i>Qty.</i>	<i>Description</i>
1	119-3471	1	Tire-13 Inch
3	114-1640	2	Bushing-Flange
4	232-27	1	Stem-Valve
5	302-5	1	Fitting-Grease



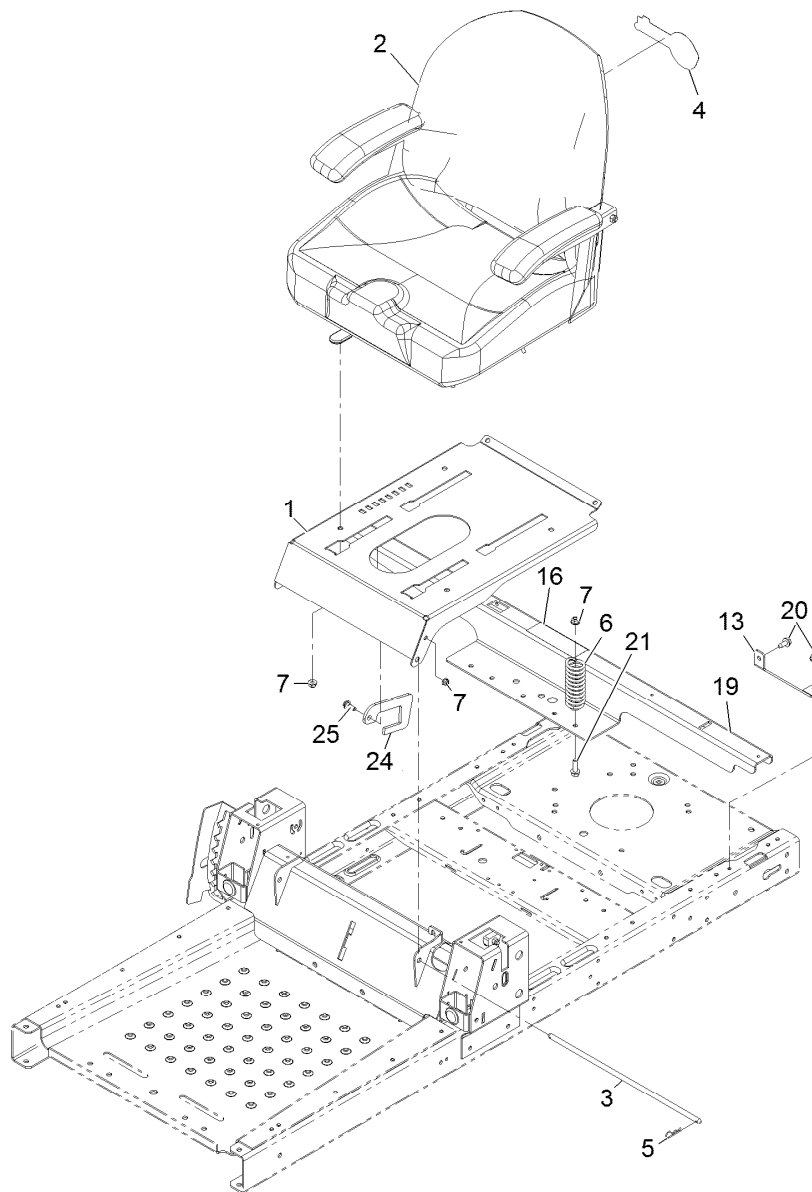
Deck Lift Assembly

Ref.	Part Number	Qty.	Description	Ref.	Part Number	Qty.	Description
1	1-806005	1	Hairpin-Cotter	18	119-8861-01	1	Mount-Hydro, Front (RH)
2	120-5499	2	Screw-HSBH	19	119-8862-01	1	Mount-Hydro, Front (LH)
3	3-6498	2	Washer-Thrust	20	3234-29	4	Screw-HH Flg 5/16-18 X 1
4	119-3427-03	1	Lever-Lift	21	3296-19	1	Nut-Nyloc 1/2-20
5	119-3424-03	1	Lift-Deck	22	32144-70	6	Screw-HWH 5/16-18 X 3/4 Tf
6	117-7337-03	1	Brace-Seat, Rear	23	120-2275	1	Plate-Footlift
7	119-8875	2	Bracket-Lift	24	104-8047	1	Rod-Trunion
8	119-3406-03	1	Bracket-Battery	25	119-8810	1	Pin-Pivot
9	3296-29	2	Nut-Nyloc 5/16-18	26	120-2276-01	1	Pedal ASM
10	108-7840	2	Link-Lift	27	120-2242	1	Rod-Footlift
11	119-3347	1	Arm-Lift, Rear	28	120-2294-01	1	Bracket-Footlift
12	108-7845	2	Block-Pivot	29	3234-42	2	Screw HHF 3/8-16 X 1
13	121-1759	2	Spacer	30	104-8301	2	Nut-Nyloc 3/8-16 Flg
14	1-633268	1	Grip-Lever	31	256-156	2	Bushing-Flange
15	3272-10	5	Pin-Cotter 1/8 X 3/4	32	3234-36	2	Screw-HH Flg 5/16-18 X 1 1/4
16	3256-26	6	Washer-1/2 Sae				
17	104-8300	6	Nut-Nyloc 5/16-18 Flg				



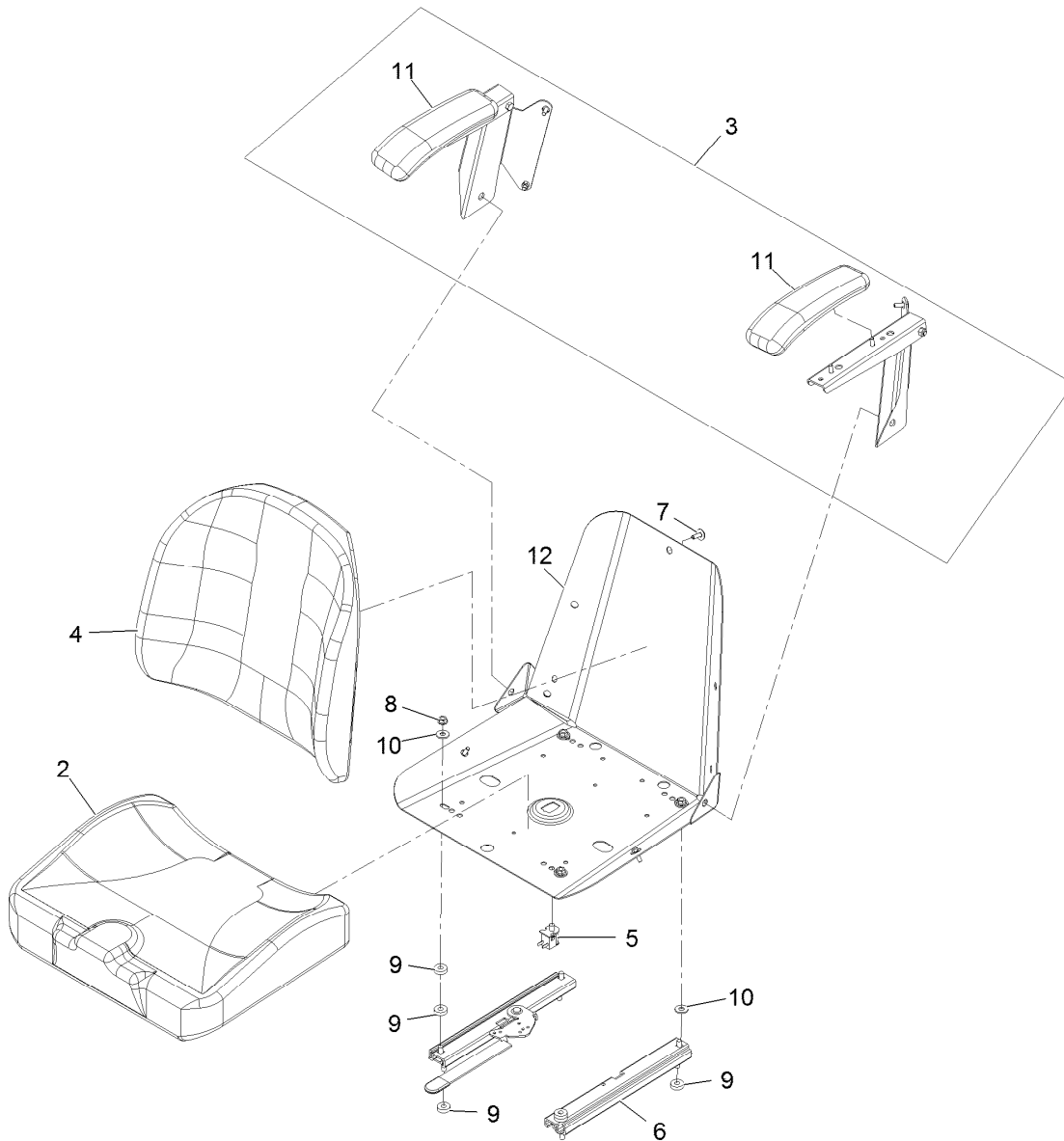
Motion Control Assembly

Ref.	Part Number	Qty.	Description	Ref.	Part Number	Qty.	Description
1	121-0731	1	Handle-Control, RH	26	115-5099	2	Bolt-Pivot
1:1	121-0726	1	Grip	27	119-8876	2	Spring-Return
2	121-0730	1	Handle-Control, LH	28	117-5388	2	Rod-Hydro
2:1	121-0726	1	Grip	29	119-8842	2	Mount-Rod, Hydro
3	3256-24	4	Washer-3/8 Sae	30	119-8952	8	Washer
4	323-6	4	Screw-HH 3/8-16 X 1	31	321-3	2	Screw-HH 1/4-20 X 5/8
5	120-7950	2	Screw-Shoulder	32	121-3017	1	Brake Control Module ASM
6	119-3470	2	Actuator Arm ASM	34	32144-1	4	Screw-HWH #10-24 X 1/2 Taptite
6:2	256-156	2	Bushing-Flange	35	121-2976	1	Rod-Brake, Wide (RH)
7	110-6810	2	Stud-Damper	36	121-2977	1	Rod-Brake, Wide (LH)
8	103-2913	2	Damper-Control, Motion	37	117-1169	4	Spring-Compression
9	3296-42	6	Nut-Nyloc 1/4-20	38	3290-307	2	Pin-Hair
10	104-8300	10	Nut-Nyloc 5/16-18 Flg	39	32144-36	4	Screw-PPH
11	3256-23	2	Washer-5/16 Sae	40	1-603807	2	Spring
13	104-8301	4	Nut-Nyloc 3/8-16 Flg	41	119-8859	1	Cover-Brake
14	119-8925	2	Washer-Belleville	42	32144-4	1	Screw-HWH 1/4-20 X 1/2 Taptite
15	117-1240	2	Washer	47	3234-47	6	Screw-HH Flg 5/16-18 X 3/4
17	119-3303	2	Pin-Rod, Hydro	48	116-4219	1	Decal
18	119-8948	2	Plate-Stop, Hydro	49	32144-70	4	Screw-HWH 5/16-18 X 3/4 Tf
19	117-1198	2	Bolt-Pivot	50	119-8870	1	Decal-HOC
20	125-5474-03	1	Control Box ASM				
21	3296-56	2	Nut-Nyloc 1/4-20 Thin				
22	115-5098-05	2	Lever-Control				
23	120-2273	2	Washer-Nylon				



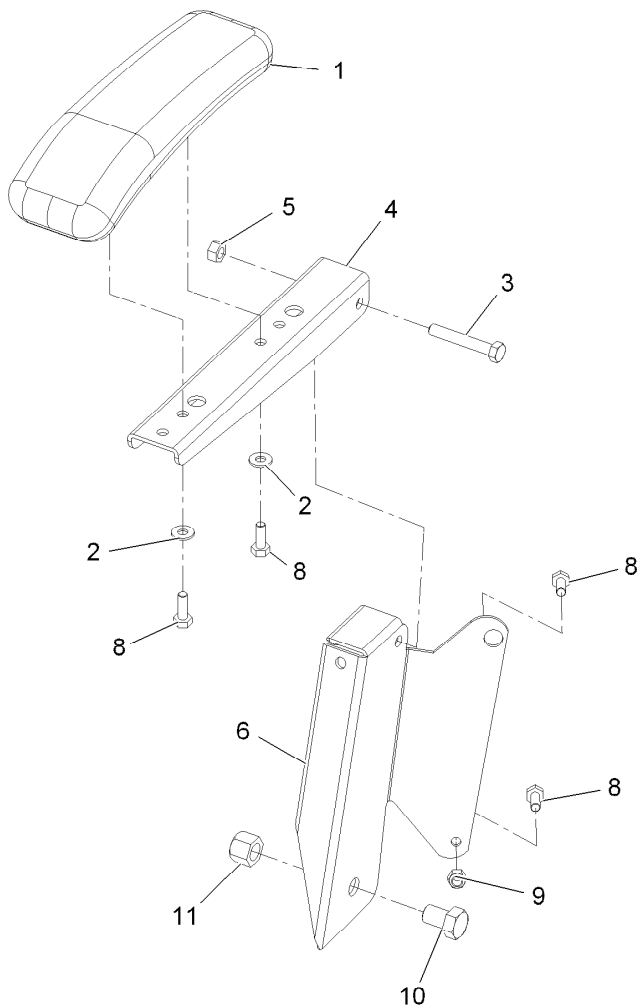
Seat Assembly

Ref.	Part Number	Qty.	Description
1	119-3390-03	1	Pan-Seat
2	121-5670	1	Seat ASM
3	115-4966	1	Rod-Stop
4	120-5464	1	Decal
5	3290-250	2	Pin-Hair
6	92-7054	3	Spring-Compression
7	104-8300	5	Nut-Flange, NI
13	119-3431-03	2	Support-Tank, Rear
16	106-8717	1	Decal-Service
19	119-3414-03	1	Support-Pod
20	32144-70	4	Screw-HWHTF
21	3234-29	3	Screw-HHF
24	120-5512	1	Stop-Seat
25	116-2670	1	Screw-Shoulder

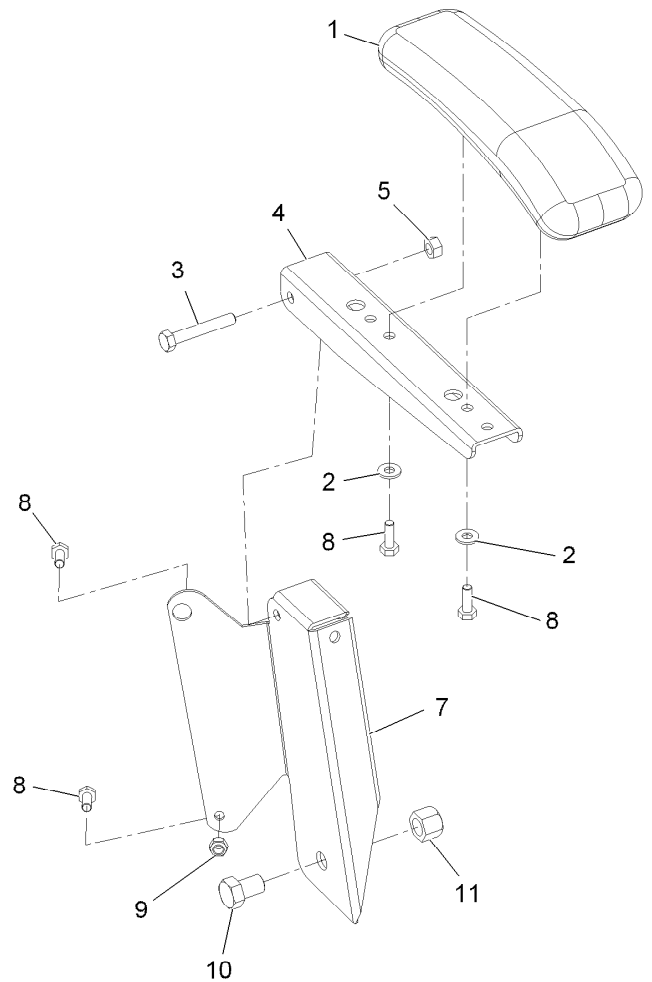


Seat W/Track Assembly No. 121-5670

Ref.	Part Number	Qty.	Description
2	116-7329	1	Cushion-Seat Bottom
3	110-5719	1	Armrest Kit
4	116-3738	1	Cushion,Seat Back
5	82-2190	1	Switch
6	1-643255	1	Track-Seat
7	103-8383	7	Screw-HWH 1/4-20 X 3/4 Taptite
8	32128-20	4	Nut-Whizlock 5/16-18
9	26-4840	8	Spacer-Pin, Mounting
10	3256-3	6	Washer-5/16 Std
11	110-4163	2	Cushion-Rest, Arm
12	116-7496	1	Frame-Seat



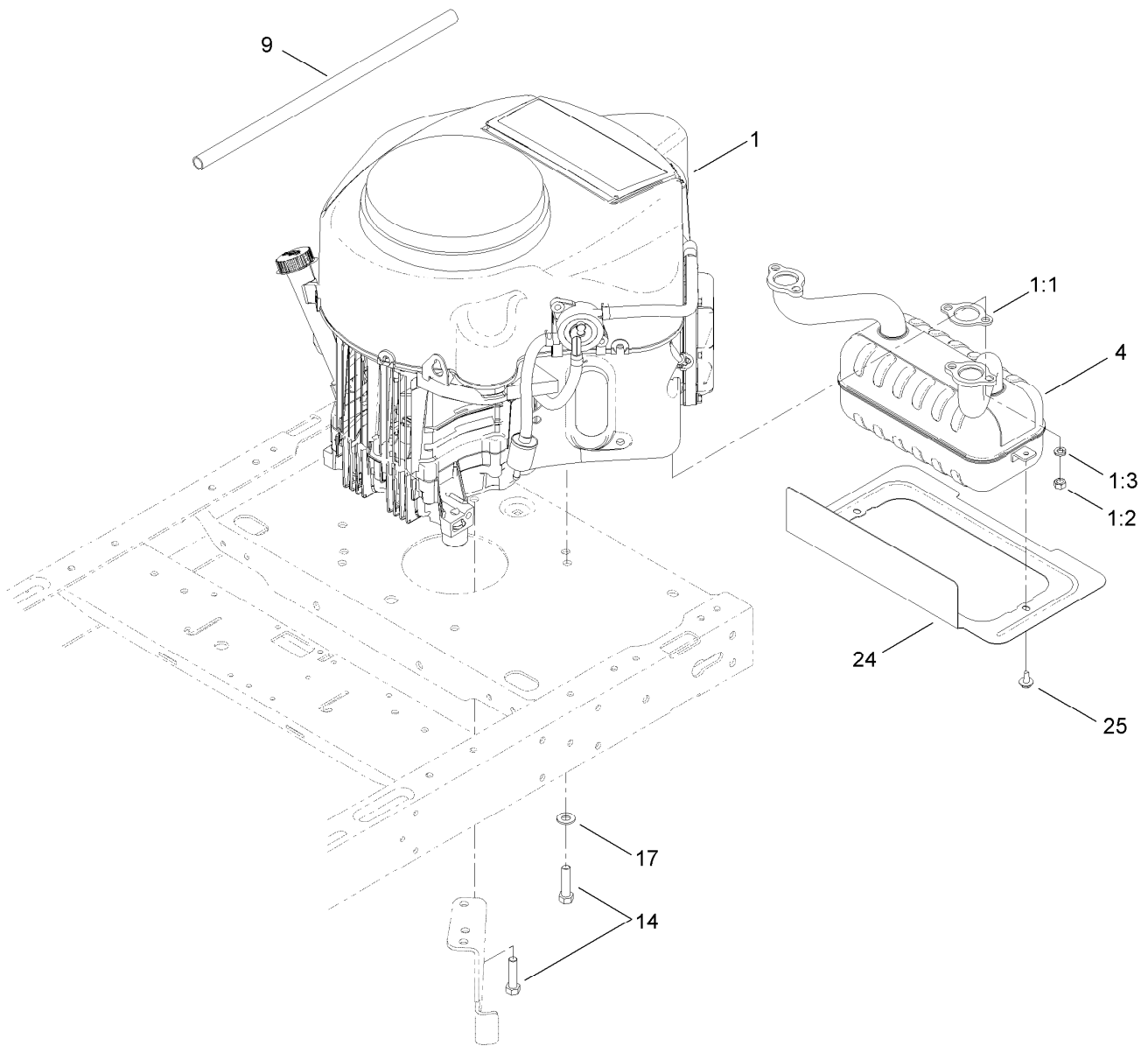
RH Armrest Assembly



LH Armrest Assembly

Armrest Kit Assembly No. 110-5719

Ref.	Part Number	Qty.	Description
1	110-4163	2	Cushion-Rest, Arm
2	3256-22	4	Washer-1/4 Sae
3	322-10	2	Screw-HH 5/16-18 X 2
4	105-3623	2	Channel-Armrest
5	32153-3	2	Nut-Hex, Side Deform
6	105-3621	1	Bracket-Armrest, RH
7	105-3622	1	Bracket-Armrest, LH
8	321-30	8	Screw-HH
9	3296-42	4	Nut-Nyloc 1/4-20
10	325-2	2	Screw-HH
11	3296-23	2	Nut-Nyloc 1/2-13

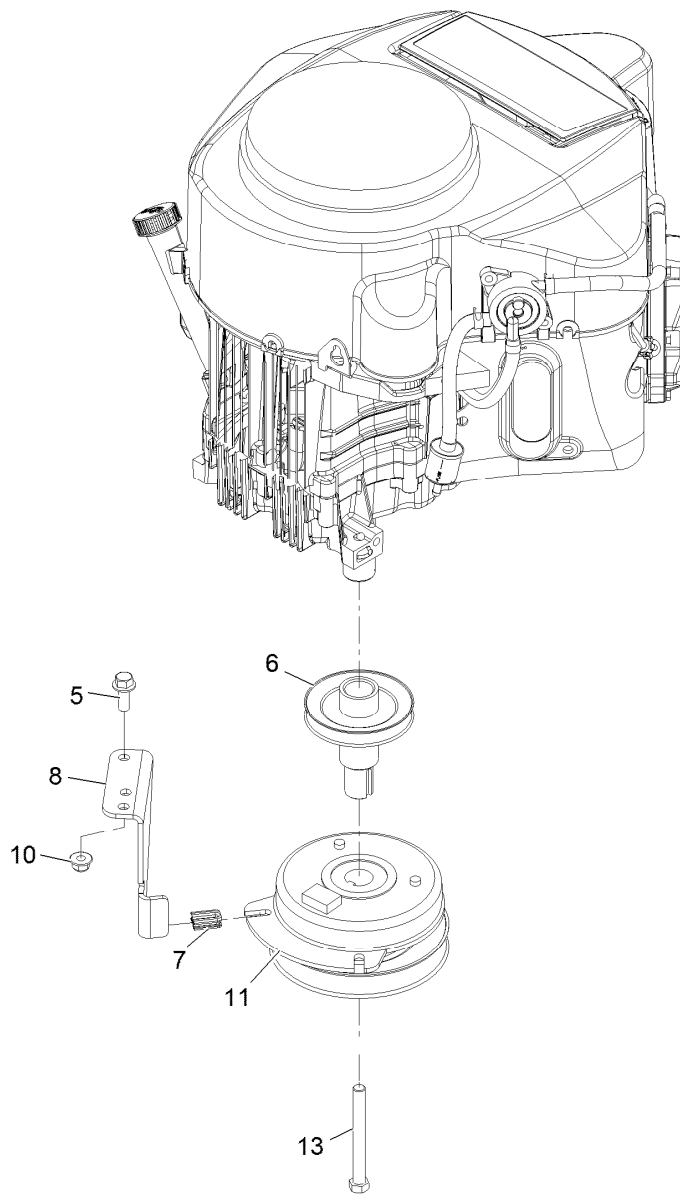


Engine and Muffler Assembly

Ref.	Part Number	Qty.	Description
1		1	Engine-Kawasaki, Fr691V-_s07-R●■
1:1	1-653313	2	Gasket-Exhaust
1:2	114-3549	4	Nut
1:3	114-3550	4	Washer-Lock, Spring
4	117-7256	1	Muffler-Kawasaki
9	106-7022	1	Tube-Drain, Oil
14	323-50	4	Bolt-HH
17	3256-24	3	Washer-Flat
24	121-2973-03	1	Shield-Heat
25	46-8560	2	Screw-HHFTF

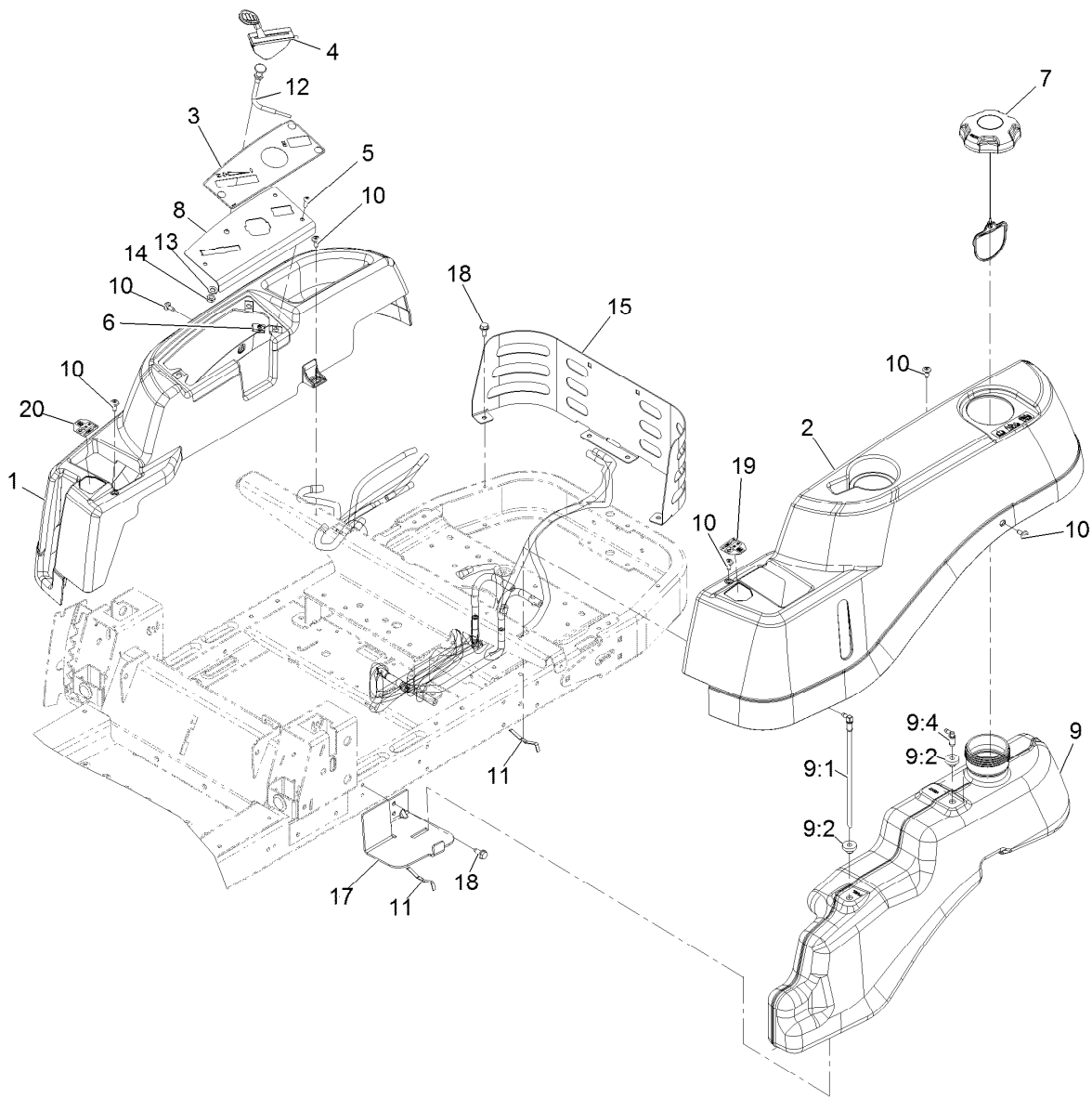
● Not serviced separately

■ Obtain parts from www.kawpowerepc.com



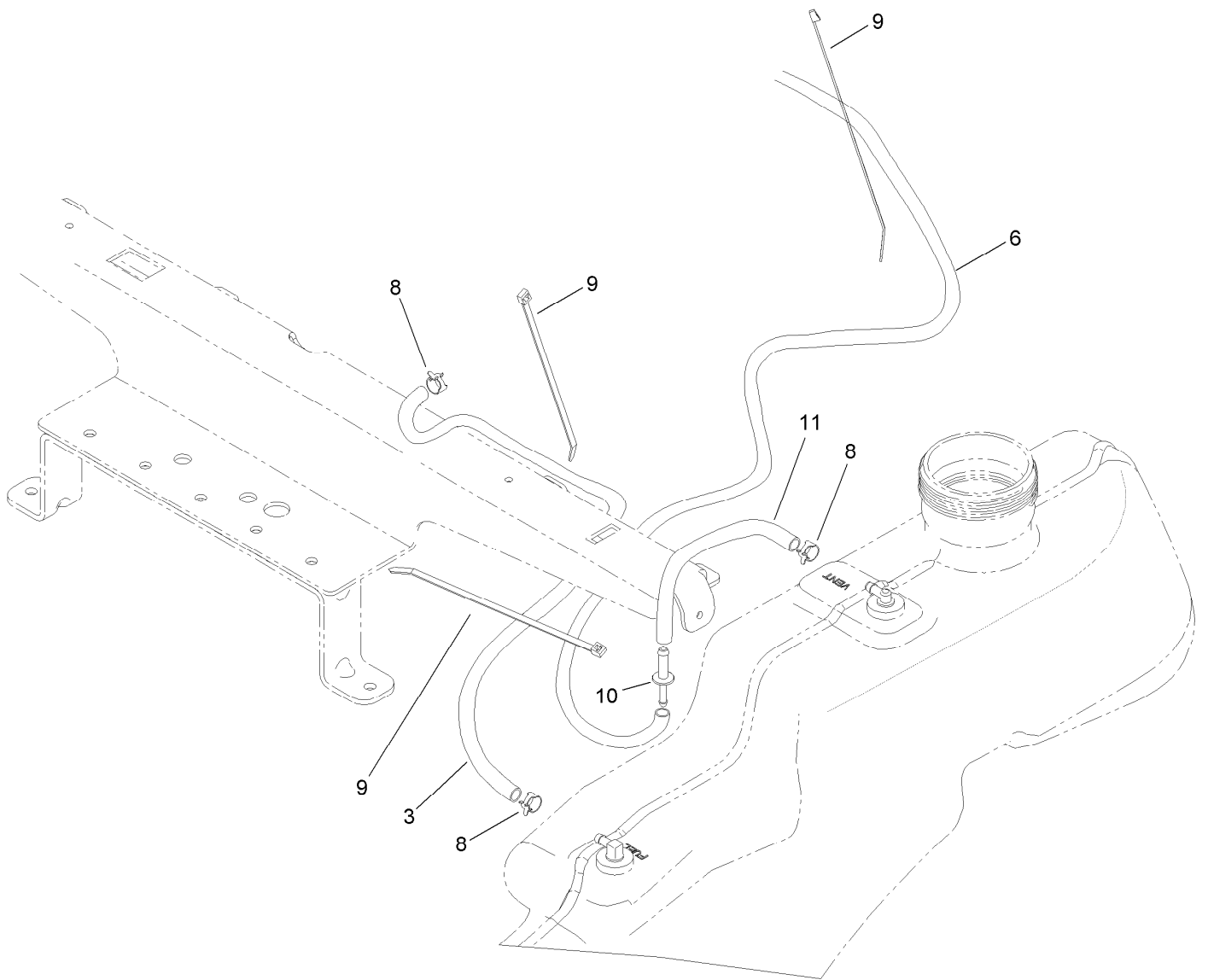
Clutch Assembly

<i>Ref.</i>	<i>Part Number</i>	<i>Qty.</i>	<i>Description</i>
5	3234-42	1	Screw HHF 3/8-16 X 1
6	119-3318	1	Pulley-Engine
7	120-2217	1	Isolator-Clutch
8	119-8885	1	Stop-Clutch
10	104-8301	1	Nut-Nyloc 3/8-16 Flg
11	127-3408	1	Clutch - PTO
13	3212-17	1	Screw-HH



Controls and Fuel Tank

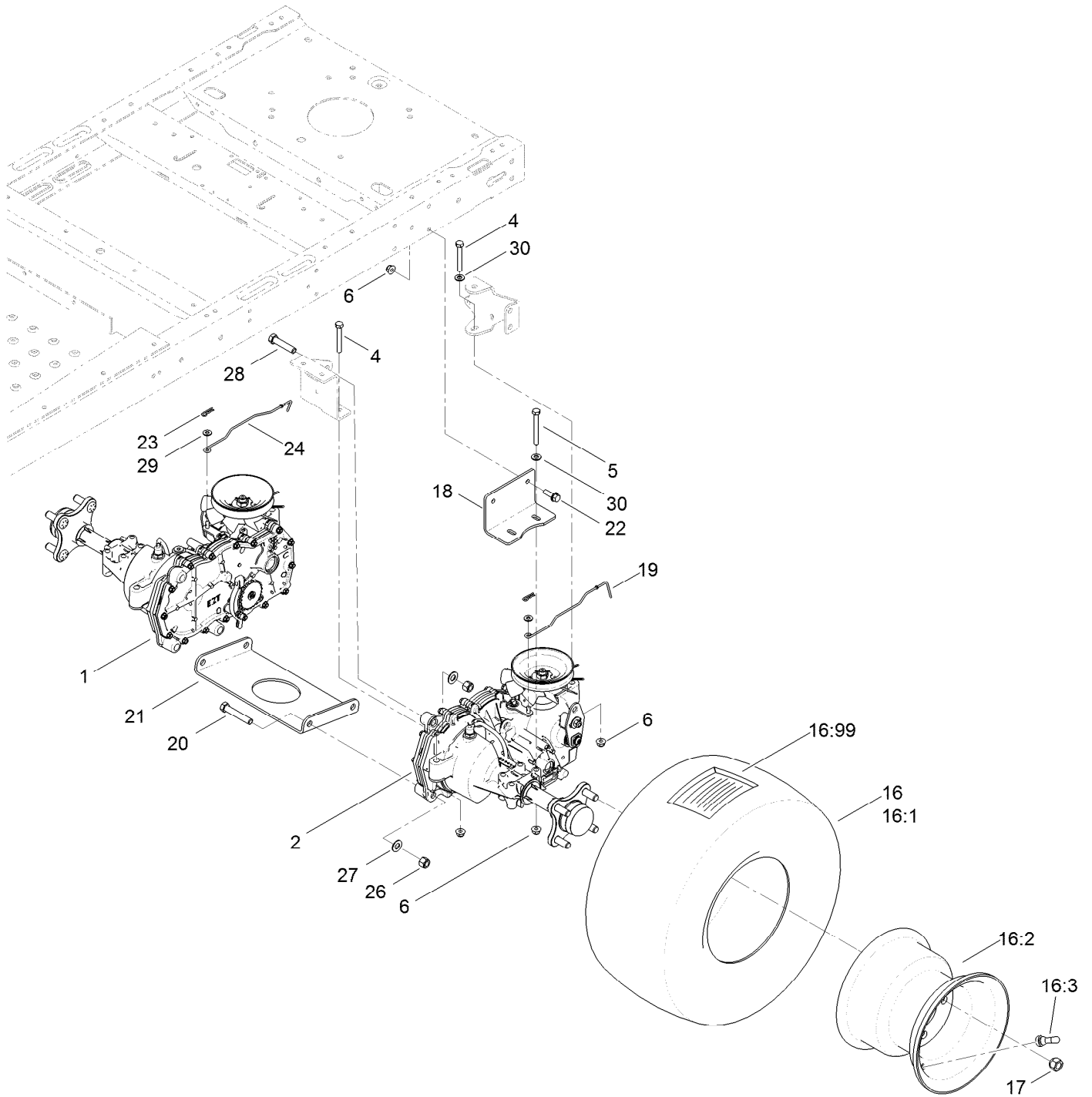
<i>Ref.</i>	<i>Part Number</i>	<i>Qty.</i>	<i>Description</i>	<i>Ref.</i>	<i>Part Number</i>	<i>Qty.</i>	<i>Description</i>
1	119-8963	1	Pod-RH	10	120-7950	6	Screw-Shoulder
2	119-8962	1	Pod-LH	11	609830	2	Spring
3	116-4220	1	Decal-Panel, Control	12	112-9753	1	Cable-Choke
4	120-2214	1	Cable-Throttle	13	3253-21	1	Washer-Lock 3/8
5	3258-166	3	Screw-PPH 1/4-20 X 3/4	14	3220-3	1	Nut-Jam 3/8-24
6	107069	3	Nut-Retainer-Panel 1/4-20	15	119-8967-03	1	Guard-Rear
7	120-5461	1	Cap-Fuel, Ratcheting	17	119-3395-03	1	Support-Tank, Front
8	119-3377-03	1	Plate-Control	18	32144-70	6	Screw-HWH 5/16-18 X 3/4 Tf
9	119-3324	1	Fuel Tank ASM	19	119-8814	1	Decal-Control Lever, LH
9:1	121-0793	1	Connector-Elbow, 90 DEG	20	119-8815	1	Decal-Control Lever, RH
9:2	46-6560	2	Bushing				
9:4	117-7400	1	Fitting-Plastic				



Fuel Delivery Assembly

<i>Ref.</i>	<i>Part Number</i>	<i>Qty.</i>	<i>Description</i>
3	109-0301	1	Hose-Fuel
6	51-3212	1	Hose-Fuel
8	2412-98	3	Clamp-Hose
9	614249	3	Tie-Cable
10	117-5399	1	Adaptor-Orifice
11	110-1876	1	Hose-Fuel

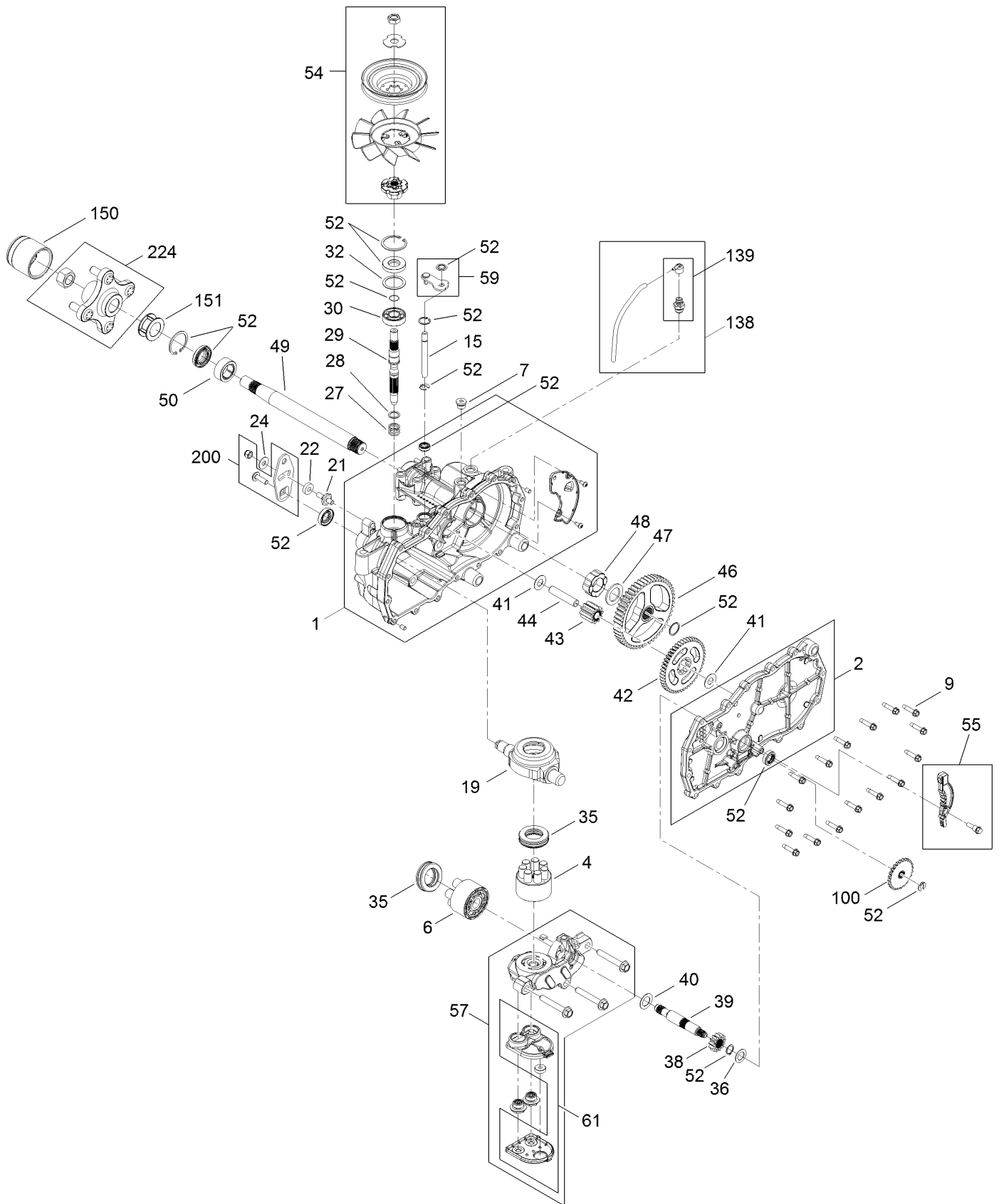
Hydro Transaxle Drive and Rear Wheel Assembly



Hydro Transaxle Drive and Rear Wheel Assembly (continued)

<i>Ref.</i>	<i>Part Number</i>	<i>Qty.</i>	<i>Description</i>	<i>Ref.</i>	<i>Part Number</i>	<i>Qty.</i>	<i>Description</i>
1	119-3351	1	RH Hydro Transaxle ASM	19	121-2971	1	Rod-Bypass, LH
2	119-3350	1	LH Hydro Transaxle ASM	20	324-10	4	Screw-HH 7/16-14 X 2 1/2
4	322-11	4	Screw-HH 5/16-18 X 2 1/4	21	119-3342-03	1	Cross Plate-Hydro
5	322-13	4	Screw-HH 5/16-18 X 2 3/4	22	3234-29	4	Screw-HH Flg 5/16-18 X 1
6	104-8300	12	Nut-Nyloc 5/16-18 Flg	23	3290-307	2	Pin-Hair
16	119-8908	2	Wheel And Tire ASM	24	121-0752	1	Rod-Bypass, RH
16:1	119-8909	1	Tire	26	3296-48	6	Nut-Nyloc 7/16-14
16:2	217-60	1	Rim	27	3256-25	6	Washer-7/16 Sae
16:3	232-27	1	Stem-Valve	28	324-8	2	Screw-HH
16:99	232-37	1	Tube	29	119-8952	2	Washer
17	242-50	8	Nut-Lug 1/2-20	30	3256-23	6	Washer-5/16 Sae
18	117-7264-03	2	Mount-Hydro				

Left Hand Hydro Transaxle Assembly No. 119-3350

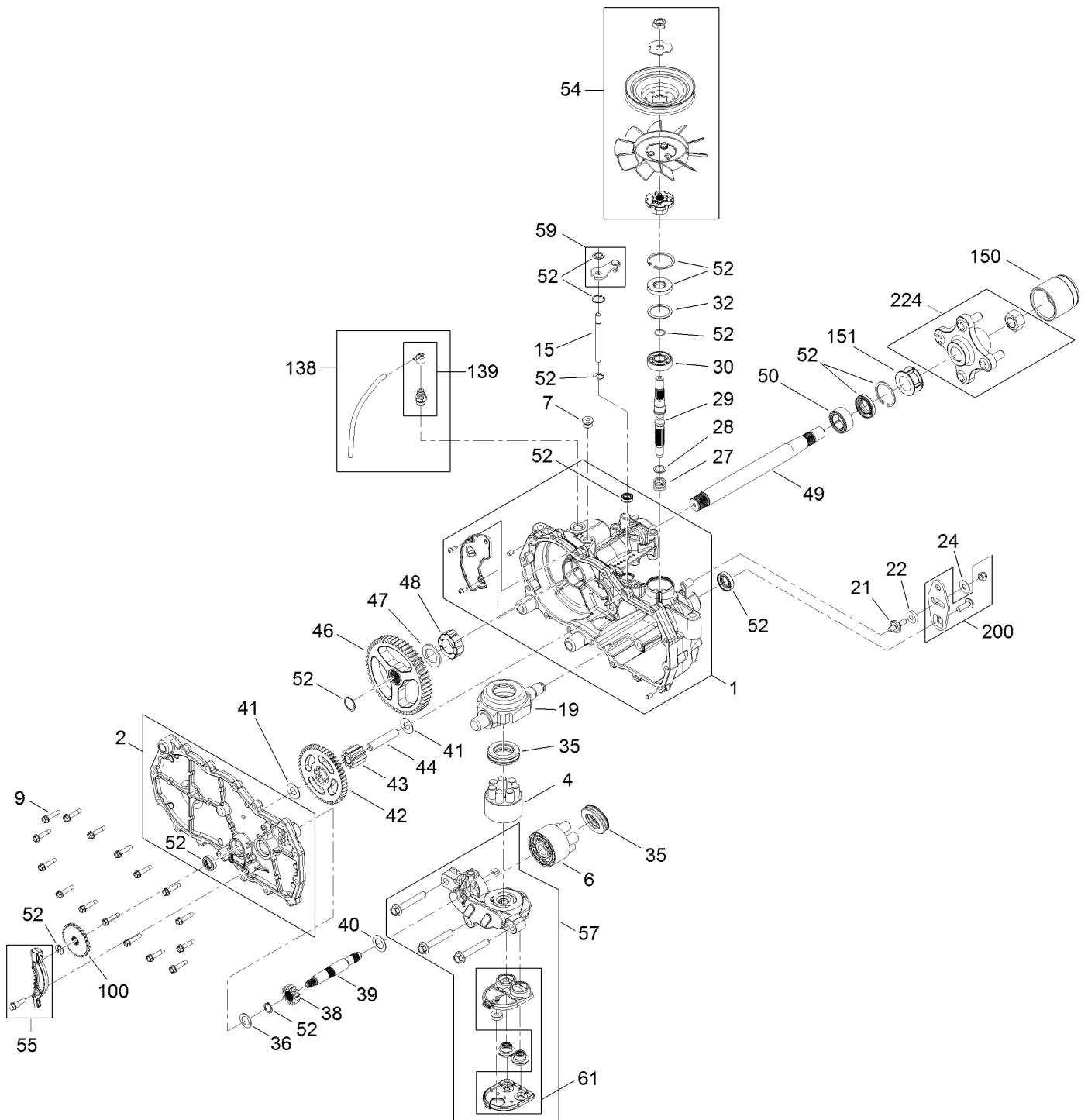


Left Hand Hydro Transaxle Assembly No. 119-3350 (continued)

<i>Ref.</i>	<i>Part Number</i>	<i>Qty.</i>	<i>Description</i>	<i>Ref.</i>	<i>Part Number</i>	<i>Qty.</i>	<i>Description</i>
1	106-8695	1	Main Housing ASM	42	104-5317	1	Gear-10T/48T
2	106-8696	1	Side ASM	43	104-5318	1	Gear-Jackshaft, 10T
4	110-8561	1	Pump Block ASM	44	104-5329	1	Pin-Jackshaft
6	103-2666	1	Cylinder Block Kit	46	112-9855	1	Gear-52T, Bull
7	104-2189	1	Plug-Thread, Straight	47	112-9856	1	Washer
9	104-5305	16	Screw-HHF	48	112-9857	1	Bearing-Sleeve
15	106-8678	1	Rod-Bypass	49	120-7104	1	Shaft-Axle
19	104-5304	1	Swashplate-Trunnion	50	112-9859	1	Bushing-Axle
21	104-2116	1	Stud	52	106-8686	1	Seal Kit ●
22	112-9853	1	Puck-Friction	54	121-5746	1	Fan Pulley Kit
24	114-8491	1	Washer	55	106-8688	1	Brake Arm Kit
27	120-5537	1	Spring-Compression	57	112-9861	1	Center Section Filter Kit
28	120-5538	1	Washer	58	104-2147	1	Sealant ●
29	104-5306	1	Shaft-Input	59	120-5549	1	Bypass Kit
30	104-5311	1	Bearing-Ball	61	114-1634	1	Filter Kit
32	104-5308	1	Spacer	100	106-8694	1	Disc-Brake, Cog
35	94-6922	2	Bearing-Thrust	138	112-9866	1	Breather Kit
36	104-5339	1	Washer-Flat	139	114-1635	1	Breather ASM
38	104-5316	1	Gear-Pinion, 13T	150	115-5057	1	Cover-Nut, Axle
39	106-8683	1	Shaft-Motor	151	120-7109	1	Tube-Axle
40	104-5360	1	Washer	200	117-5362	1	Arm Control Kit
41	119-5541	2	Washer	224	109-5939	1	Hub Kit

● Not illustrated

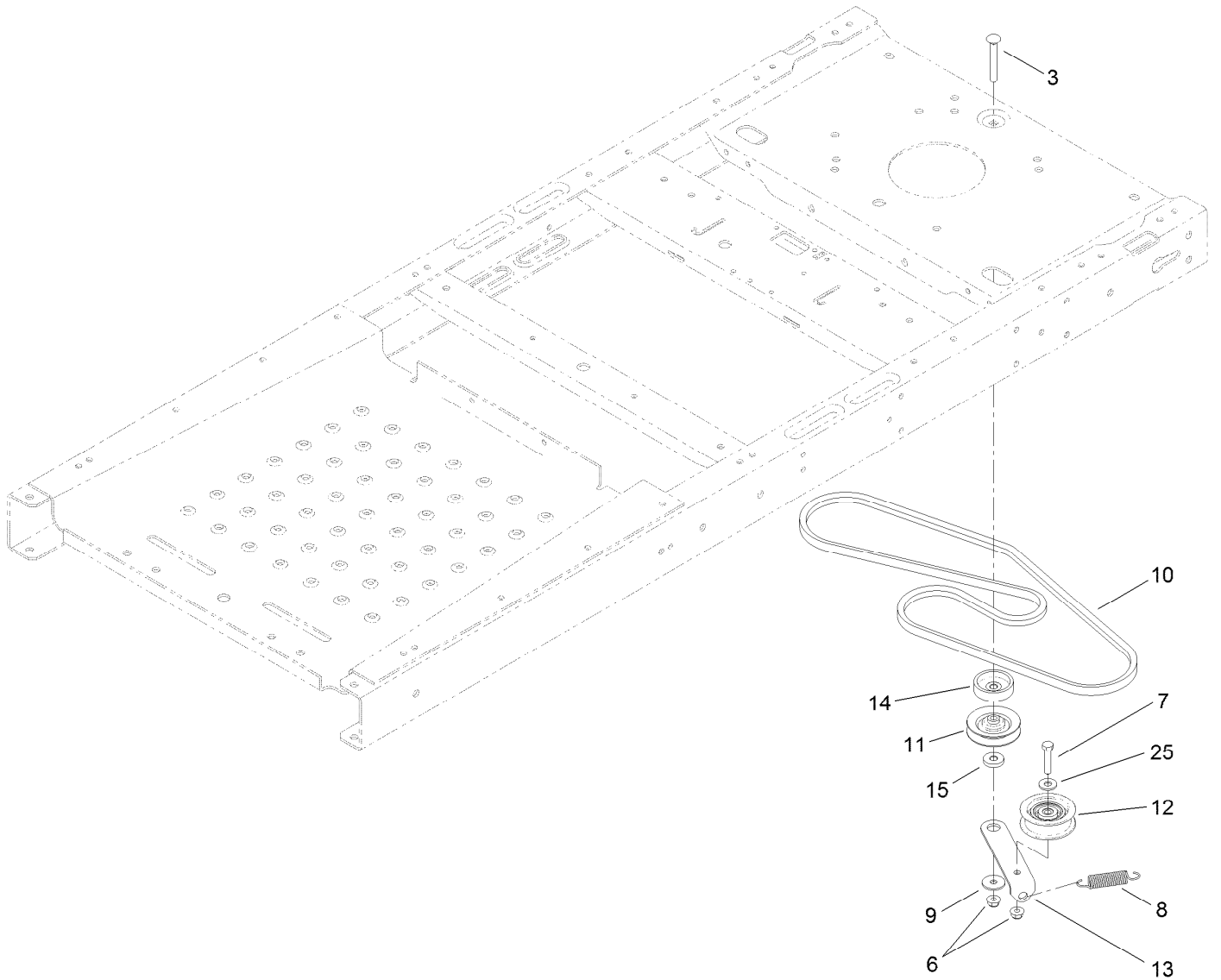
Right Hand Hydro Transaxle Assembly No. 119-3351



Right Hand Hydro Transaxle Assembly No. 119-3351 (continued)

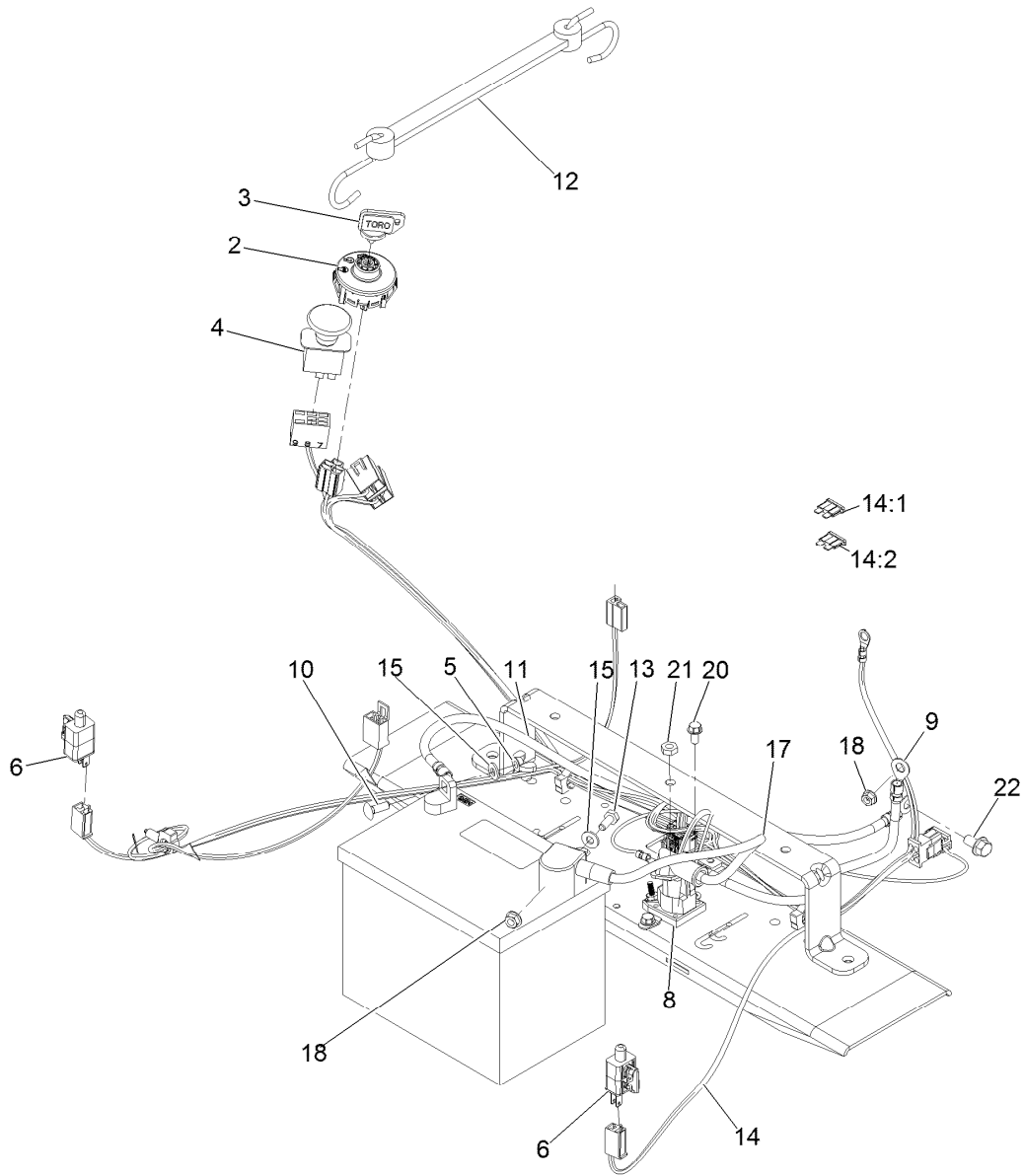
<i>Ref.</i>	<i>Part Number</i>	<i>Qty.</i>	<i>Description</i>	<i>Ref.</i>	<i>Part Number</i>	<i>Qty.</i>	<i>Description</i>
1	106-8674	1	Main Housing ASM	42	104-5317	1	Gear-10T/48T
2	106-8675	1	Side ASM	43	104-5318	1	Gear-Jackshaft, 10T
4	110-8561	1	Pump Block ASM	44	104-5329	1	Pin-Jackshaft
6	103-2666	1	Cylinder Block Kit	46	112-9855	1	Gear-52T, Bull
7	104-2189	1	Plug-Thread, Straight	47	112-9856	1	Washer
9	104-5305	16	Screw-HHF	48	112-9857	1	Bearing-Sleeve
15	106-8678	1	Rod-Bypass	49	120-7104	1	Shaft-Axle
19	104-5304	1	Swashplate-Trunnion	50	112-9859	1	Bushing-Axle
21	104-2116	1	Stud	52	106-8686	1	Seal Kit ●
22	112-9853	1	Puck-Friction	54	121-5746	1	Fan Pulley Kit
24	114-8491	1	Washer	55	106-8688	1	Brake Arm Kit
27	120-5537	1	Spring-Compression	57	112-9862	1	Center Section Filter Kit
28	120-5538	1	Washer	58	104-2147	1	Sealant ●
29	104-5306	1	Shaft-Input	59	107-2489	1	Bypass Arm Kit
30	104-5311	1	Bearing-Ball	61	114-1634	1	Filter Kit
32	104-5308	1	Spacer	100	106-8694	1	Disc-Brake, Cog
35	94-6922	2	Bearing-Thrust	138	112-9866	1	Breather Kit
36	104-5339	1	Washer-Flat	139	114-1635	1	Breather ASM
38	104-5316	1	Gear-Pinion, 13T	150	115-5057	1	Cover-Nut, Axle
39	106-8683	1	Shaft-Motor	151	120-7109	1	Tube-Axle
40	104-5360	1	Washer	200	117-5362	1	Arm Control Kit
41	119-5541	2	Washer	224	109-5939	1	Hub Kit

● Not illustrated



Belt and Pulley Assembly

Ref.	Part Number	Qty.	Description
3	3230-8	1	Screw-CARR
6	104-8300	2	Nut-Flange, NI
7	322-7	1	Screw-HH
8	104-6415	1	Spring-Return, Pedal
9	5-4460	1	Washer-Pivot
10	119-3321	1	V-Belt
11	119-8822	1	Pulley-Idler
12	106-2176	1	Pulley-Idler
13	119-3326	1	Arm-Idler
14	119-3353	1	Spacer
15	119-3327	1	Spacer-Arm, Idler
25	3256-3	1	Washer-Flat



Electrical Assembly

Ref.	Part Number	Qty.	Description
2	117-2221	1	Switch-Ignition
3	103-2106	1	Key-Exmark Logo
4	103-5221	1	Switch-PTO
5	32103-22	1	Nut-Wing
6	110-6765	2	Switch-Single Pole No
8	117-1197	1	Solenoid
9	119-8898	1	Cable-Battery, Red
10	3229-1	1	Bolt-Carriage 1/4-20 X 3/4
11	119-8899	1	Cable-Battery, Black
12	104-2466	1	Holddown-Battery
13	321-3	1	Screw-HH 1/4-20 X 5/8

Ref.	Part Number	Qty.	Description
14	121-5652	1	Harness-Wire
14:1	109103	1	Fuse-Blade, 30 Amp
14:2	109102	1	Fuse-Blade, 25 Amp
15	3256-22	2	Washer-1/4 Sae
17	119-8897	1	Cable-Battery, Red
18	32128-33	2	Nut-Whizlock 1/4-20
20	32144-4	2	Screw-HWH 1/4-20 X 1/2 Taptime
21	3220-2	2	Nut-Jam 5/16-24
22	33104-016	1	Screw-HHF

Notes:

EXMARK® MAINTENANCE

MAXIMIZE THE PERFORMANCE OF YOUR EXMARK.

4-CYCLE PREMIUM ENGINE OIL

Part No. 116-3373

Both SAE 30 and SAE 10W-30 in one bottle.

Contains increased levels of zinc and phosphorus for better lubricity.

No Viscosity Index Improvers that tend to shear down in high heat.

Synthetic formulation.

Gas & Diesel compatible.

Anti-corrosion additives.

API 'SL' and JASO rated with wet clutch compatibility for other machines.

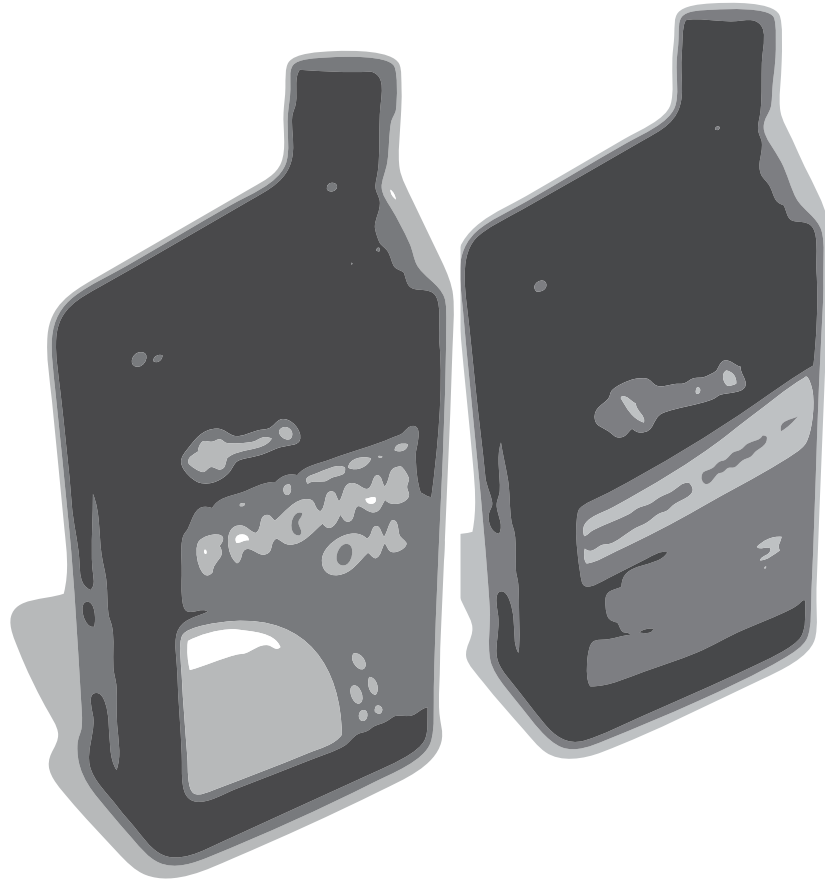
PREMIUM HYDRO OIL

Part No. 109-9828

Commercial quality for tough, high-heat conditions.

Designed specifically for zero-turn mower hydraulic systems.

Superior shear resistance under heavy loads.



Available from your local Exmark dealer. Find your closest dealer at exmark.com

EXMARK ACCESSORIES AND OPTIONS*

MID-MOUNT RIDING ACCESSORIES AND OPTIONS

CUSTOM RIDE SEAT SUSPENSION SYSTEM	OPERATOR CONTROLLED DISCHARGE
FULL SUSPENSION SEAT	SUN SHADE
DECK LIFT ASSIST KIT	TRASH CONTAINER
HITCH KIT	TURF STRIPER
LIGHT KIT	ULTRA VAC COLLECTION SYSTEM
12V POWER PORT	ULTRA VAC QUICK DISPOSAL SYSTEM
MICRO-MULCH SYSTEM	

OUT-FRONT RIDING ACCESSORIES AND OPTIONS

CUSTOM RIDE SEAT SUSPENSION SYSTEM	SNOW BLADE
DUAL-TAIL WHEEL	SNOWBLOWER
FLOOR PAN EXTENDER	SUN SHADE
HITCH KIT	TRASH CONTAINER
LIGHT KIT	ULTRA VAC COLLECTION SYSTEM
MICRO-MULCH SYSTEM	ULTRA VAC QUICK DISPOSAL SYSTEM
ROLL OVER PROTECTION SYSTEM (ROPS)	WEATHER CAB

WALK-BEHIND ACCESSORIES AND OPTIONS

GRASS CATCHER	TURF STRIPER
MICRO-MULCH SYSTEM	STANDON

*Some accessories and options not available for some models.

Place Model No. and Serial No.
Label Here (Included in the Literature
Pack) or Fill in Below

Model No. _____

Serial No. _____

Date Purchased _____

Engine Model No. and Spec. No. _____

Engine Serial No. (E/No) _____

© 2014 Exmark Mfg. Co., Inc.
Industrial Park Box 808
Beatrice, NE 68310
All Rights Reserved

Part No. 4501-832 Rev. A
(402) 223-6290
Fax (402) 223-5489
Printed in the USA.

