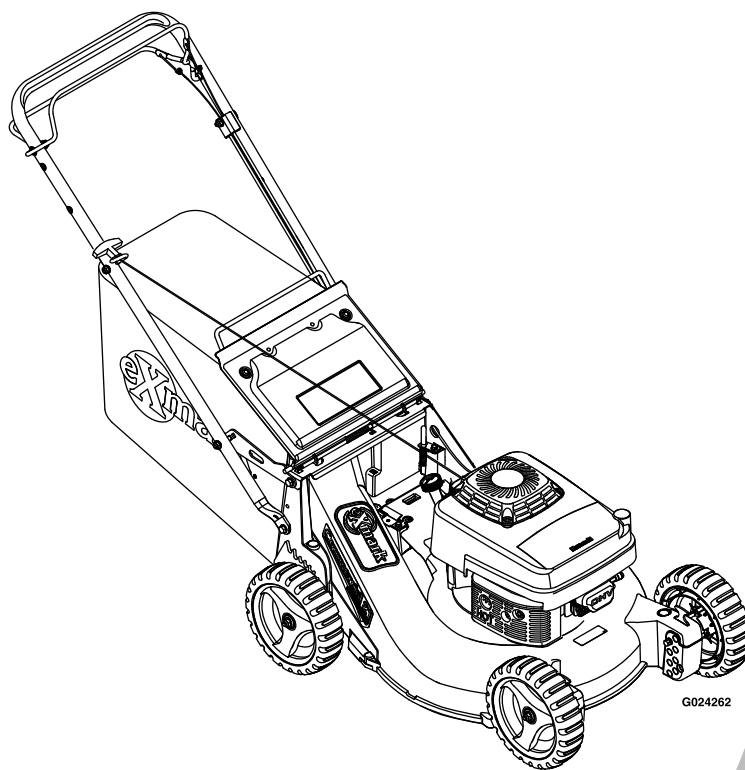




# COMMERCIAL 21

Model No. ECXKABBC21—Serial No. 31400000 and Up

Picture below may not reflect actual product.



# Parts Manual

Part No. 4501-853 Rev. A

# Ordering Replacement Parts

To order replacement parts, please supply the part number, the quantity, and the description of each part desired.

## Understanding Reference Numbers

Each identified part in an illustration has a reference number. The reference number for a part also appears in the parts list, along with other information about the part.

This catalog uses two special reference number formats, one to indicate parts in a service assembly and another to indicate the quantity of a given part in an illustration.

## Service Assembly Reference Numbers

Parts in service assemblies have reference numbers in the form a:b. The a represents the reference number of the entire service assembly and the b represents a sequential number unique to each part within the service assembly.

For example, a wheel assembly might be identified by reference number 6, the tire by 6:1, the valve by 6:2, and the wheel by 6:3. When you order the assembly identified by reference number 6, you receive all parts identified by reference numbers 6:1, 6:2, and 6:3. However, you may also order any part individually. Reference numbers of this type appear in illustration and in parts lists.

## Reference Numbers Indicating Quantity

In an illustration, if a reference number indicates more than one part, the reference number has the form nX y. The n represents the quantity of the part, the X is the multiplication symbol, and the y represents the reference number.

For example, in an illustration, the reference number 2X 37 means that two of the parts identified by reference number 37 are indicated.

# List of Abbreviations

<b>AR:</b> as required	<b>HJ:</b> hex jam	<b>PRH:</b> phillips round head
<b>ASM:</b> assembly	<b>HLH:</b> hex lag head	<b>PTH:</b> phillips truss head
<b>BBC:</b> blade brake control	<b>HOC:</b> height-of-cut	<b>PTO:</b> power-take-off
<b>BHTF:</b> button head thread forming	<b>HSBH:</b> hex socket button head	<b>RH:</b> right hand
<b>CARR:</b> carriage	<b>HSFH:</b> hex socket flat head	<b>ROPS:</b> roll-over protection system
<b>CCW:</b> counter clockwise	<b>HSH:</b> hex socket head	<b>RRB:</b> rear roller brush
<b>CW:</b> clockwise	<b>HWH:</b> hex washer head	<b>SFH:</b> slotted fillister head
<b>DEG:</b> degrees	<b>HWHTF:</b> hex washer head thread forming	<b>SHH:</b> slotted hex head
<b>DPA:</b> Dual Point Adjustment	<b>HYD:</b> hydraulic	<b>SHWH:</b> slotted hex washer head
<b>ECM:</b> electronic control module	<b>LH:</b> left hand	<b>SPH:</b> slotted pan head
<b>EXT:</b> external	<b>LP:</b> Liquefied Petroleum Gas	<b>SQH:</b> square head
<b>FH:</b> flat head	<b>LPG:</b> Liquefied Petroleum Gas	<b>SRH:</b> slotted round head
<b>GA:</b> gauge	<b>NI:</b> nylon insert	<b>STD:</b> standard
<b>HD:</b> heavy-duty	<b>NPTF:</b> national pipe thread fine	<b>TAP:</b> self tapping
<b>HF:</b> hex flange	<b>PFH:</b> phillips flat head	<b>TTH:</b> torx truss head
<b>HH:</b> hex head	<b>PPH:</b> phillips pan head	
<b>HHF:</b> hex head flange	<b>PPHTF:</b> phillips pan head thread forming	
<b>HHFTF:</b> hex head flange thread forming		

# Touch Up Paint

Exmark black touch up spray paint – gloss black.

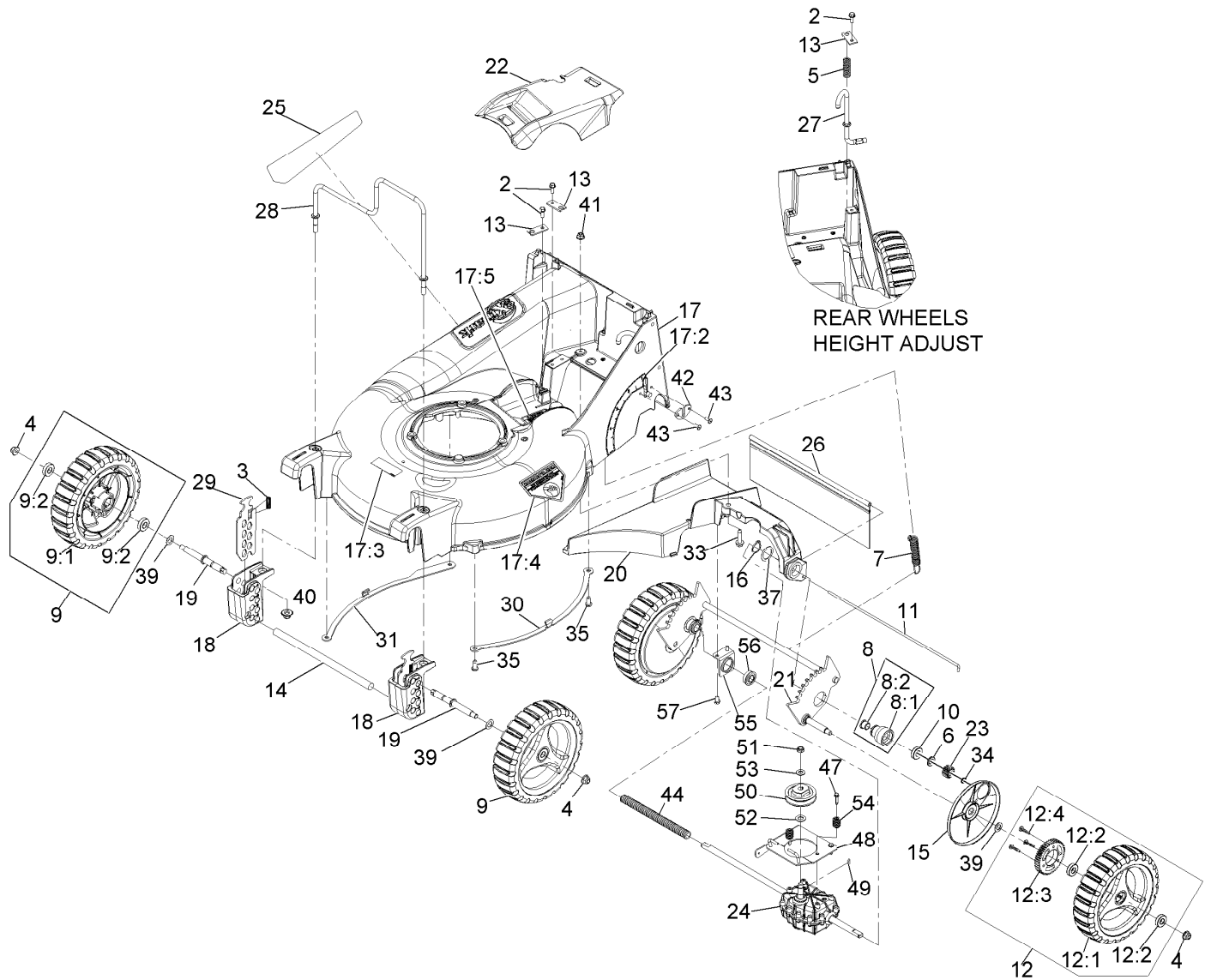
Exmark red touch up paint (spray paint – P/N 1-850337 - .6 oz liquid bottle – P/N 103-9140).



If your Exmark dealer does not have the Exmark part in stock, Exmark will get the parts to the dealer the next business day or the part will be FREE Guaranteed!! (Some restrictions apply. See your participating Exmark Dealer for details.)

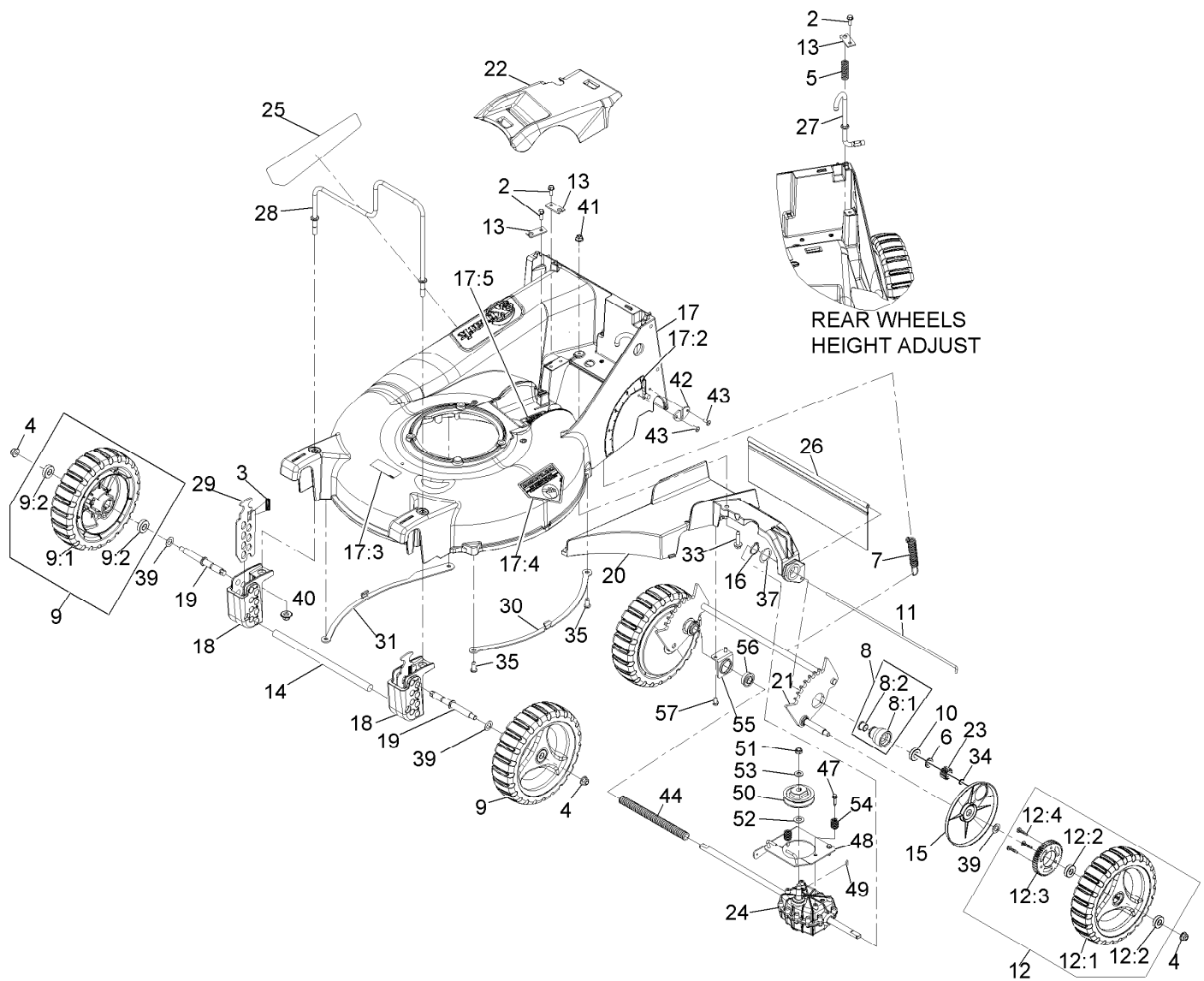
## Contents

Deck and Wheel Assembly ..... 4  
Handle Assembly ..... 6  
Bag and Door Assembly ..... 7  
Blade Assembly ..... 8  
Engine Assembly ..... 9



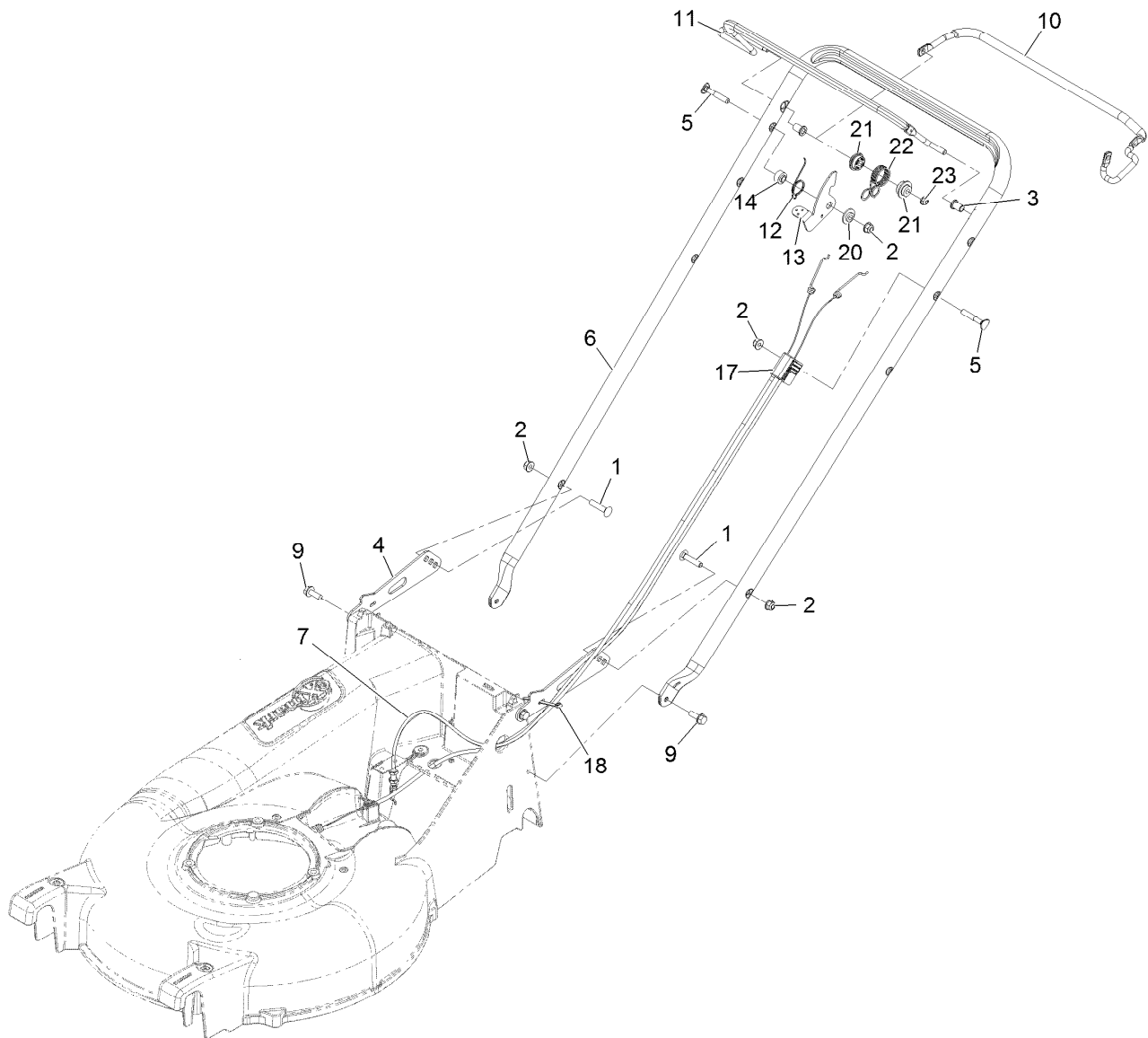
## Deck and Wheel Assembly

Ref.	Part Number	Qty.	Description	Ref.	Part Number	Qty.	Description
2	32144-85	3	Screw-HWH 1/4-20 X .62	15	109-9287	2	Cover,Gear
3	109-7258	2	Spring-Compression	16	32151-36	2	Ring-Retaining
4	104-8301	4	Nut-Nyloc 3/8-16 Flg	17	116-2006	1	Deck W/Decals
5	109-7694	1	Spring-Compression	17:2	116-1922	1	Decal-Height Of Cut
6	108-5059	2	Spacer-Bushing	17:3	68-7410	1	Decal-Blade
7	109-7692	1	Spring-Extension	17:4	94-8072	1	Decal-Danger
8	116-6172	2	Housing ASM	17:5	109-9317	1	Decal-Cover Missing
8:1	116-6171	1	Housing-Bearing	18	109-9302	2	Block,Front Quadrant
8:2	116-4279	1	Bearing-Flange	19	116-0994	2	Axle-Wheel
9	109-8016	2	Wheel And Tire ASM	20	116-9646-01	1	Bracket-Transmission And Chute
9:1	109-8033	1	9-Inch Wheel ASM	21	109-9312	1	Wld,Rear Axle P21
9:2	109-8020	2	Bearing-Ball	22	109-9324	1	Cover,Belt
10	109-8020	2	Bearing-Ball	23	110-9417	2	Gear-Pinion, 15T
11	109-8025	1	Rod,Shield	24	116-9906	1	Transmission-HD, 4.5/1
12	109-8032	2	ASM,Rear Wheel 9"	25	116-4385	1	Decal-Comm 21 X-Series
12:1	109-8033	1	9-Inch Wheel ASM	26	116-0252	1	Shield-Trailing P21
12:2	109-8020	2	Bearing-Ball	27	116-0329	1	Rod-Height Adj P21
12:3	109-7264	1	Gear	28	116-0522	1	Guard,Engine
12:4	27-6260	3	Screw-Drive	29	109-9292	2	Plate, Front Height
13	109-8441	3	Bracket,Mount	30	116-0995-03	1	Skid,LH
14	109-8454	1	Rod,Bumper				



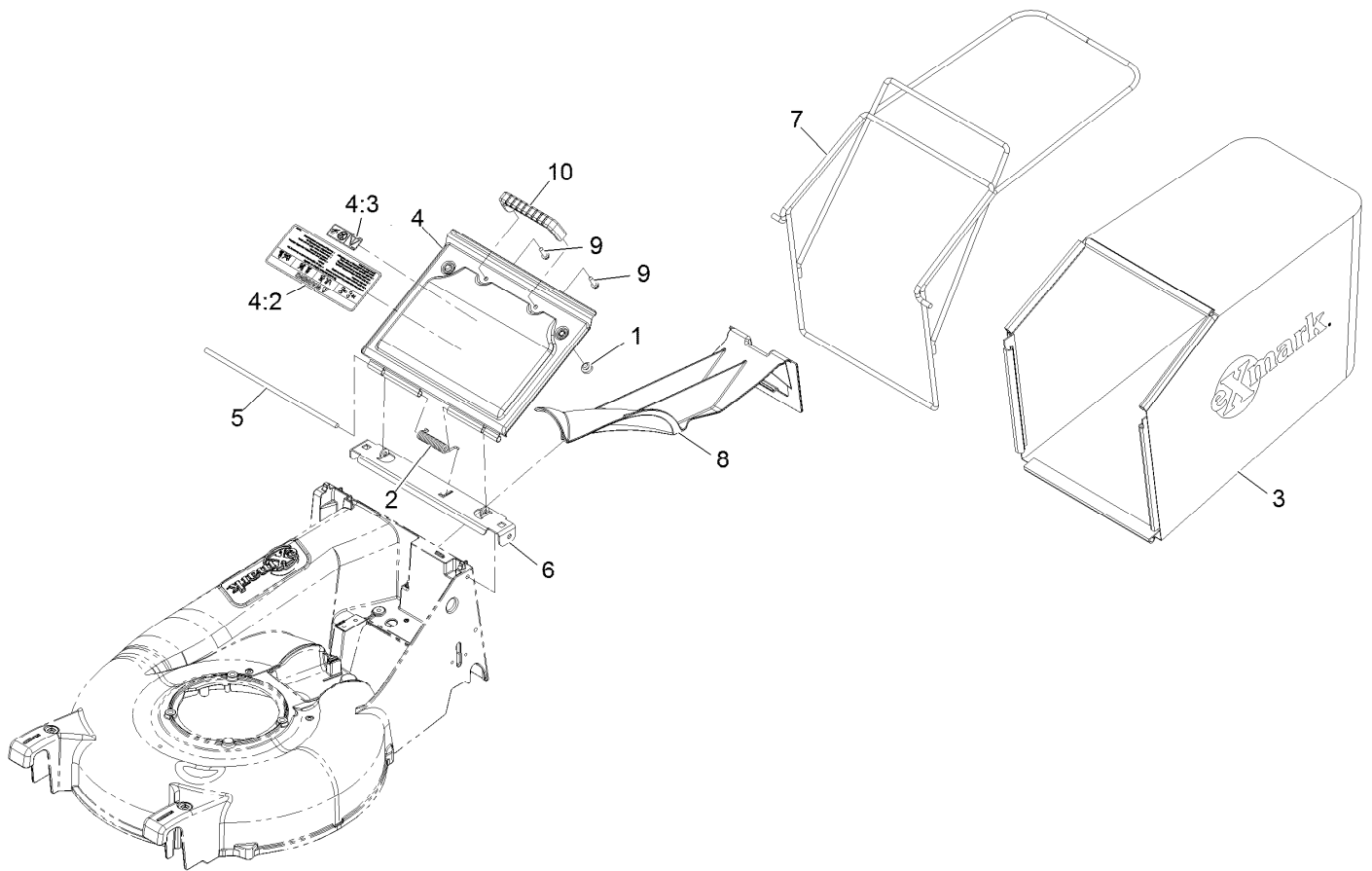
## Deck and Wheel Assembly (continued)

Ref.	Part Number	Qty.	Description	Ref.	Part Number	Qty.	Description
31	116-0996-03	1	Skid,RH	44	126-2335	1	Cover-Shaft-Drive
33	32144-49	1	Screw-HWH 5/16-18 1 1/4 Tf	47	27-0220	3	Screw-Special
34	32151-61	2	Ring-Retaining	48	116-3539-03	1	Transmission Plate ASM
35	613381	4	Screw-Button Head 5/16-18 X .725 Tf	49	3257-1	1	Key-Woodruff 1/8 X 1/2
37	74-1810	2	Washer	50	39-6740	1	Pulley
39	36-4780	4	Washer	51	3296-5	1	Nut-Nyloc 3/8-24 Thin
40	109-6658	2	Nut-Nyloc 3/8-16 Flg	52	36-4792	1	Washer-Thrust
41	104-8300	1	Nut-Nyloc 5/16-18 Flg	53	3256-45	1	Washer-Flat
42	116-2221	1	Plate,Wear	54	116-1438	2	Spring,Compression
43	114439	2	Rivet	55	120-7008	1	Mount-Bearing
				56	104-8699	1	Bearing-Ball
				57	9266714	2	Screw-HWH 1/4-20 X .50



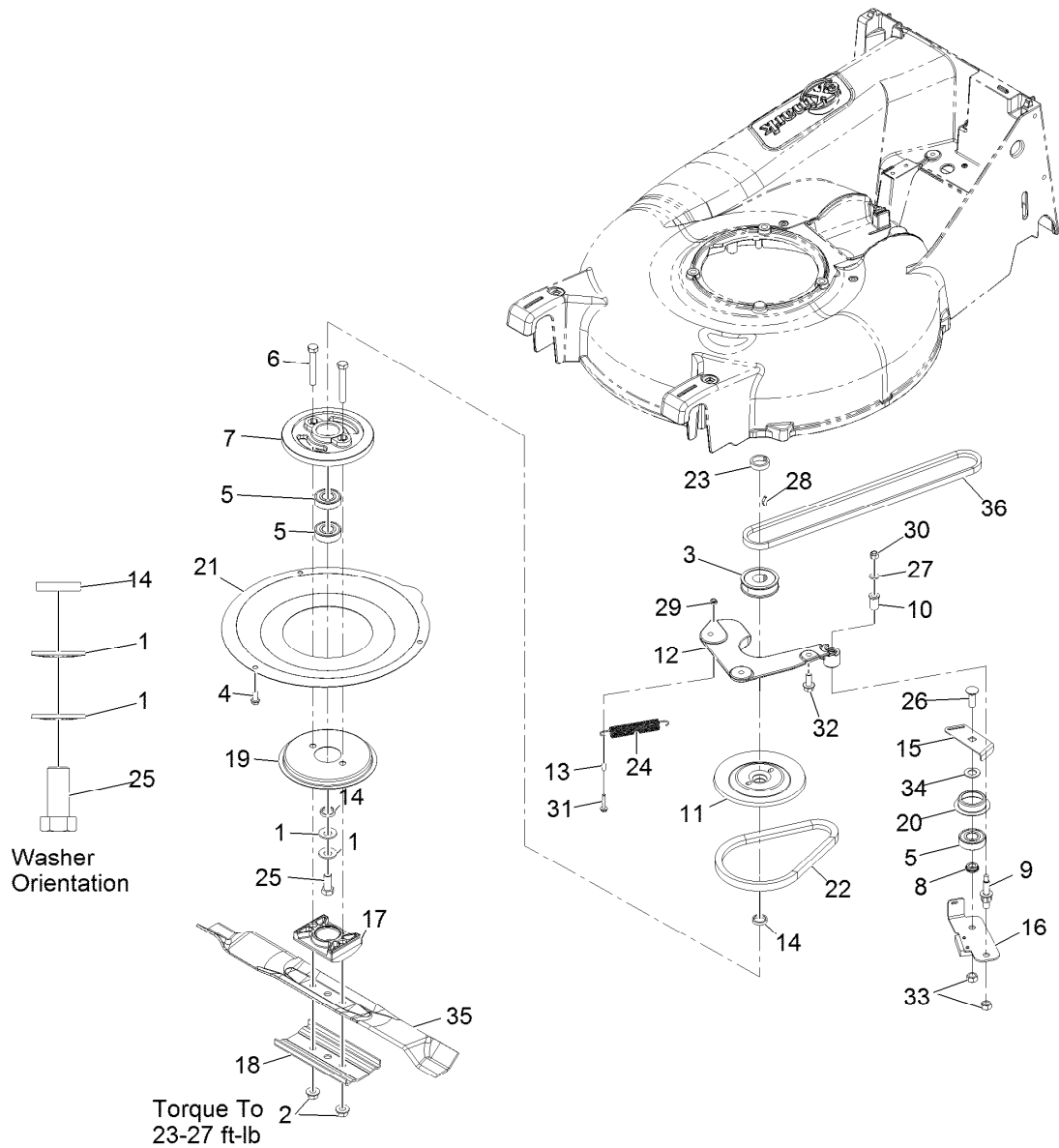
## Handle Assembly

Ref.	Part Number	Qty.	Description	Ref.	Part Number	Qty.	Description
1	33-5790	2	Bolt-Carriage 5/16-18 X 1 1/2	11	109-8442	1	Bail
2	104-8300	4	Nut-Nyloc 5/16-18 Flg	12	109-9318	1	Spring-Lever, BBC
3	116-1478	2	Bushing-Handlebar	13	116-2998	1	Lever-BBC
4	109-9323-03	2	Bracket,Handlebar	14	116-2690	1	Bushing-Stepped
5	112-8876	2	Bolt-Carriage 5/16-18 X 2	17	116-0901	1	Cable-BBC
6	116-0119-03	1	Handlebar-P21	18	614249	1	Tie-Cable
7	116-9701	1	Cable, Drive	20	105-3006	1	Washer-Stepped
9	32144-41	4	Screw-HWH 3/8-16 X 7/8 Taptite	21	109-8457	2	Bushing-Spring, Pivot
10	116-7907	1	Bail-Drive Coated	22	109-9293	1	Spring,BBC Return
				23	104-7201	1	Nut-Nyloc 1/4-20 Flg



## Bag and Door Assembly

Ref.	Part Number	Qty.	Description
1	1-513658	2	Bumper
2	109-7696	1	Spring-Torsion,Cover
3	109-7294	1	Bag,Grass P21
4	116-2007	1	Door W/Decal
4:2	116-2737	1	Decal-Warning Door Lg
4:3	121-1449	1	Decal-Warning, Block
5	109-9321	1	Rod,Door Pivot
6	109-9322-03	1	Bracket-Door P21
7	109-9325-03	1	Wld,Bag Frame
8	116-0251	1	Plug,Mulch
9	46-8091	2	Screw-HWH 1/4-10 X .82 Plastite
10	65-5100	1	Handle-Door

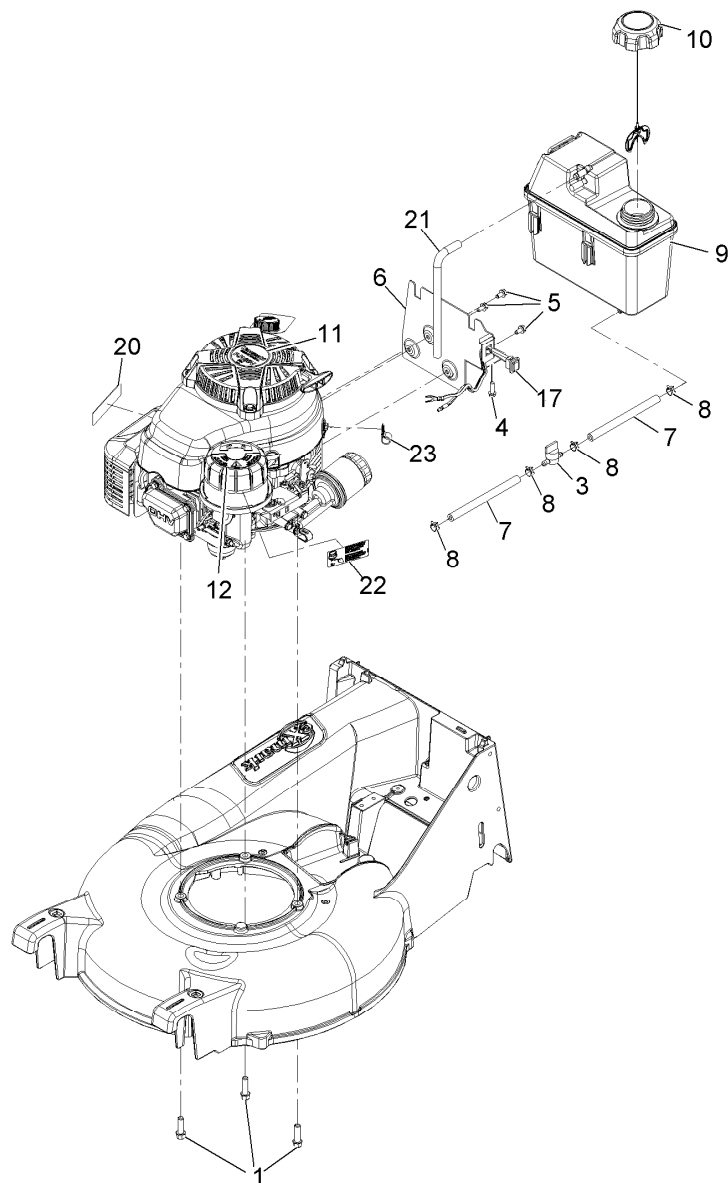


## Blade Assembly

Ref.	Part Number	Qty.	Description	Ref.	Part Number	Qty.	Description
1	1-603610	2	Washer-Spring Disc 7/16	20	108-3790	1	Retainer-Belt
2	54-9190	2	Nut-Hex 3/8-24 Lock	21	116-3360-03	1	Cover-BBC
3	56-6180	1	Pulley-Driver	22	110-1790	1	Belt-BBC
4	32144-85	3	Screw-HWH 1/4-20 X .62	23	110-2142	1	Spacer-Pulley
5	100-1048	3	Bearing-Ball	24	115-4471	1	Spring-Extension
6	3211-42	2	Screw-HH 3/8-24 X 2 1/2	25	3212-4	1	Screw-HH 7/16-20 X 1 ●
7	107-0754	1	Drum	26	3231-38	1	Bolt-Carriage 3/8-16 X 1 1/4
8	107-0758	1	Spacer-Bearing	27	3256-16	1	Washer-#12 Std
9	107-0759	1	Bolt-Shoulder	28	3257-17	1	Key-Woodruff 5/32 X 21/32
10	107-0797	1	Bushing	29	3296-27	1	Nut-Lock #10-32
11	107-4277-03	1	Pulley-Driver, Upper	30	3296-42	1	Nut-Nyloc 1/4-20
12	116-3572	1	Plate-Mounting, BBC	31	32144-9	1	Screw-HWH #10-32 X 1 Taptite
13	107-4292	1	Spacer-BBC	32	33104-020	3	Screw-HH M8-1.25 X 20Mm ●
14	107-4293	2	Spacer-Plate, BBC	33	125-5069	2	Nut-Hex
15	107-7471	1	Plate-Guide	34	605256	1	Washer-Plain
16	120-9514	1	Plate-Brake, ASM	35	116-4500	1	Blade-Medium Lift, 20.5
17	107-7487	1	Support-Blade	36	109-7299	1	Belt,3L P21 Drive
18	108-3766-03	1	Support-Blade				
19	108-3787	1	Disc				

● Use Pro-Lock, Nut Type (P/N 1-840022, .5ml tube) on threads.





## Engine Assembly

Ref.	Part Number	Qty.	Description	Ref.	Part Number	Qty.	Description
1	95-1727	3	Screw-HWH 3/8-16 X 1 1/4 Taptite	9	114-0280	1	Tank-Fuel
3	1-603770	1	Valve-Fuel	10	109-6776	1	Cap-Ratchet, Tethered
4	46-8091	1	Screw-HWH 1/4-10 X .82 Plastite	11	109-6528	1	Decal, Recoil
5	104-2628	3	Screw-HWH M6-1 X 12Mm Tf ●	12	114-3415	1	Decal
6	109-9291-03	1	Bracket,Fuel Tank	17	116-2806	1	Harness,Run/Stop
7	107-0588	2	Hose-Fuel	20	117-2718	1	Decal-Arrester, Spark
8	2412-98	4	Clamp-Hose	21	115-0962	1	Hose-Vent, Canister
				22	109-8191	1	Decal, Primer
				23	1-513762	1	Clip-Loom 1/2

● Use Pro-Lock, Nut Type (P/N 1-840022, .5ml tube) on threads.

**Notes:**

**Notes:**

## EXMARK ACCESSORIES AND OPTIONS\*

### MID-MOUNT RIDING ACCESSORIES AND OPTIONS

CUSTOM RIDE SEAT SUSPENSION SYSTEM	OPERATOR CONTROLLED DISCHARGE
FULL SUSPENSION SEAT	SUN SHADE
DECK LIFT ASSIST KIT	TRASH CONTAINER
HITCH KIT	TURF STRIPER
LIGHT KIT	ULTRA VAC COLLECTION SYSTEM
12V POWER PORT	ULTRA VAC QUICK DISPOSAL SYSTEM
MICRO-MULCH SYSTEM	

### OUT-FRONT RIDING ACCESSORIES AND OPTIONS

CUSTOM RIDE SEAT SUSPENSION SYSTEM	SNOW BLADE
DUAL-TAIL WHEEL	SNOWBLOWER
FLOOR PAN EXTENDER	SUN SHADE
HITCH KIT	TRASH CONTAINER
LIGHT KIT	ULTRA VAC COLLECTION SYSTEM
MICRO-MULCH SYSTEM	ULTRA VAC QUICK DISPOSAL SYSTEM
ROLL OVER PROTECTION SYSTEM (ROPS)	WEATHER CAB

### WALK-BEHIND ACCESSORIES AND OPTIONS

GRASS CATCHER	TURF STRIPER
MICRO-MULCH SYSTEM	STANDON

\*Some accessories and options not available for some models.

Place Model No. and Serial No.  
Label Here (Included in the Literature  
Pack) or Fill in Below

Model No. \_\_\_\_\_

Serial No. \_\_\_\_\_

Date Purchased \_\_\_\_\_

Engine Model No. and Spec. No. \_\_\_\_\_

Engine Serial No. (E/No) \_\_\_\_\_

© 2014 Exmark Mfg. Co., Inc.  
Industrial Park Box 808  
Beatrice, NE 68310  
All Rights Reserved

Part No. 4501-853 Rev. A  
(402) 223-6300  
Fax (402) 223-5489  
Printed in the USA.

