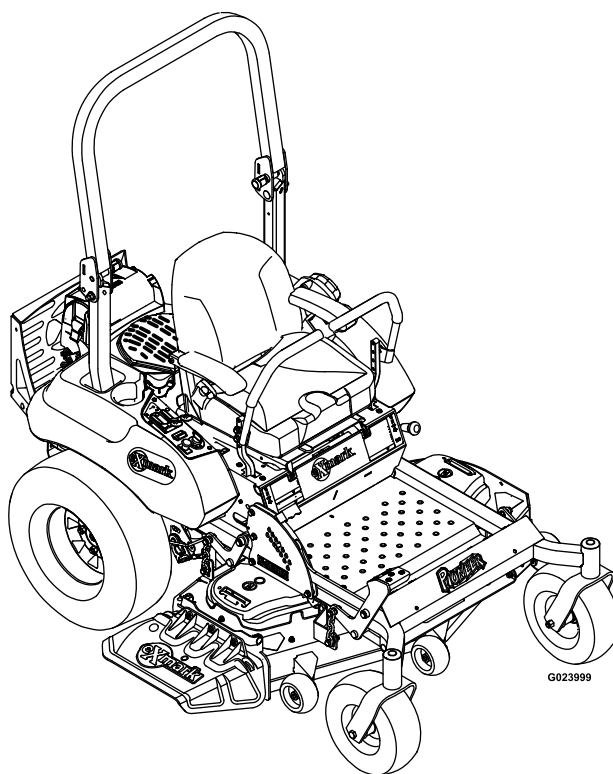




PIONEER® S-SERIES

Model No. PNS740KC604SS—Serial No. 31400000 and Up

Picture below may not reflect actual product.



Parts Manual

Part No. 4501-881 Rev. A

Ordering Replacement Parts

To order replacement parts, please supply the part number, the quantity, and the description of each part desired.

Understanding Reference Numbers

Each identified part in an illustration has a reference number. The reference number for a part also appears in the parts list, along with other information about the part.

This catalog uses two special reference number formats, one to indicate parts in a service assembly and another to indicate the quantity of a given part in an illustration.

Service Assembly Reference Numbers

Parts in service assemblies have reference numbers in the form a:b. The a represents the reference number of the entire service assembly and the b represents a sequential number unique to each part within the service assembly.

For example, a wheel assembly might be identified by reference number 6, the tire by 6:1, the valve by 6:2, and the wheel by 6:3. When you order the assembly identified by reference number 6, you receive all parts identified by reference numbers 6:1, 6:2, and 6:3. However, you may also order any part individually. Reference numbers of this type appear in illustration and in parts lists.

Reference Numbers Indicating Quantity

In an illustration, if a reference number indicates more than one part, the reference number has the form nX y. The n represents the quantity of the part, the X is the multiplication symbol, and the y represents the reference number.

For example, in an illustration, the reference number 2X 37 means that two of the parts identified by reference number 37 are indicated.

List of Abbreviations

AR: as required	HJ: hex jam	PRH: phillips round head
ASM: assembly	HLH: hex lag head	PTH: phillips truss head
BBC: blade brake control	HOC: height-of-cut	PTO: power-take-off
BHTF: button head thread forming	HSBH: hex socket button head	RH: right hand
CARR: carriage	HSFH: hex socket flat head	ROPS: roll-over protection system
CCW: counter clockwise	HSH: hex socket head	RRB: rear roller brush
CW: clockwise	HWH: hex washer head	SFH: slotted fillister head
DEG: degrees	HWHTF: hex washer head thread forming	SHH: slotted hex head
DPA: Dual Point Adjustment	HYD: hydraulic	SHWH: slotted hex washer head
ECM: electronic control module	LH: left hand	SPH: slotted pan head
EXT: external	LP: Liquefied Petroleum Gas	SQH: square head
FH: flat head	LPG: Liquefied Petroleum Gas	SRH: slotted round head
GA: gauge	NI: nylon insert	STD: standard
HD: heavy-duty	NPTF: national pipe thread fine	TAP: self tapping
HF: hex flange	PFH: phillips flat head	TTH: torx truss head
HH: hex head	PPH: phillips pan head	
HHF: hex head flange	PPHTF: phillips pan head thread forming	
HHFTF: hex head flange thread forming		

Touch Up Paint

Exmark black touch up spray paint – gloss black.

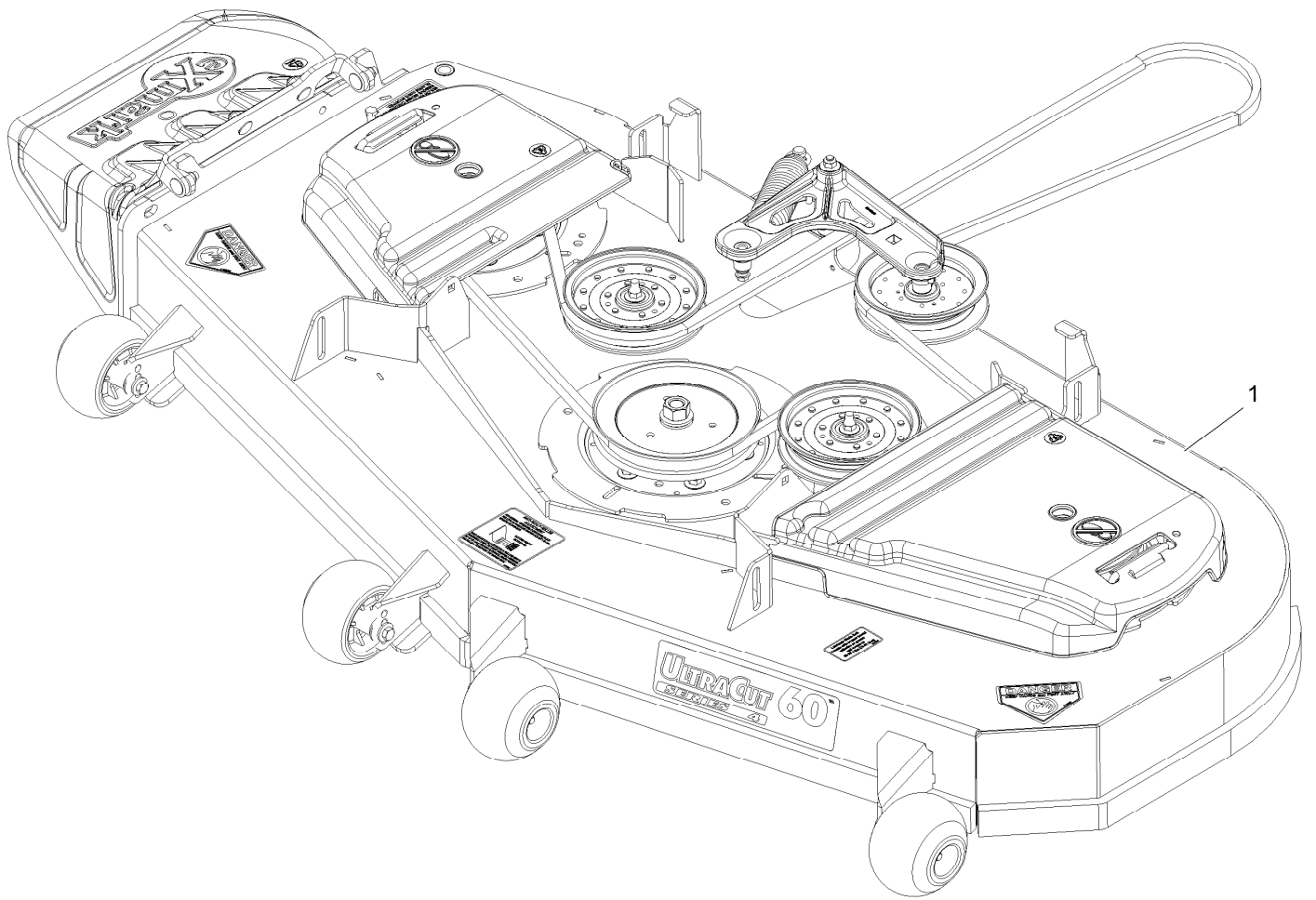
Exmark red touch up paint (spray paint – P/N 1-850337 - .6 oz liquid bottle – P/N 103-9140).



If your Exmark dealer does not have the Exmark part in stock, Exmark will get the parts to the dealer the next business day or the part will be FREE Guaranteed!! (Some restrictions apply. See your participating Exmark Dealer for details.)

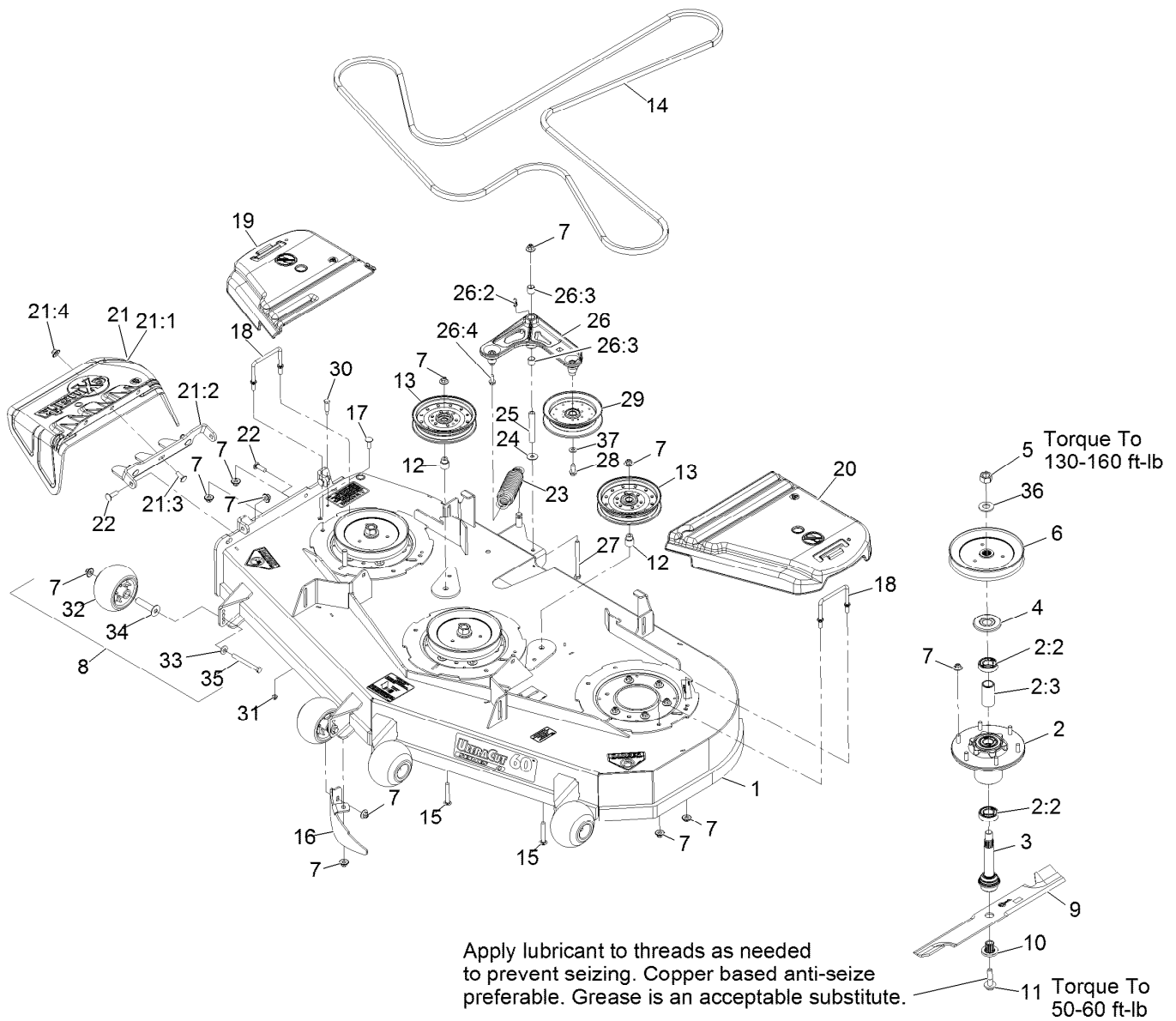
Contents

Complete Deck Assembly No. 116-5945	4
Deck Assembly	5
Deck W/Decals Assembly No. 116-5812	7
Main Frame Assembly	8
Mainframe W/Decals Assembly No. 116-5854	9
Caster Wheel Assembly No. 103-5189	10
Roll-Over Protection System Assembly No. 116-3498	11
Deck Lift Assembly	12
Motion Control Assembly	13
Motion Control Assembly - LH	14
Motion Control Assembly - RH	15
Seat Assembly	16
Seat W/Tracks Assembly No. 126-2802	17
Controls Assembly	18
Fuel Tank Mounting Assembly	19
Fuel Tank Assembly No. 116-4610	20
Engine Assembly	21
Hydraulic Assembly	22
Transaxle Assembly	23
Transaxle Assembly	24
Electrical Assembly	25



Complete Deck Assembly No. 116-5945

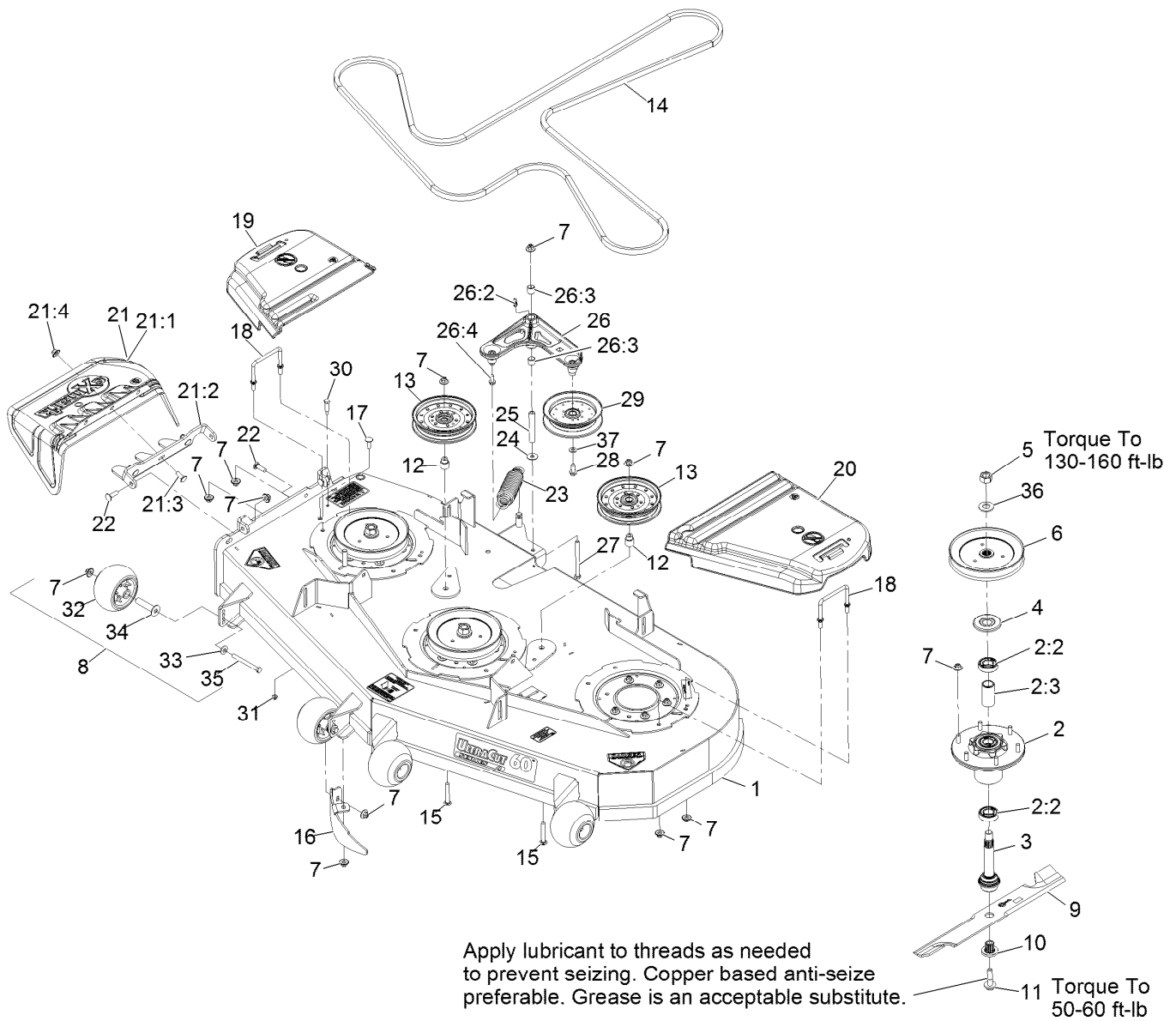
<i>Ref.</i>	<i>Part Number</i>	<i>Qty.</i>	<i>Description</i>
1	116-5945	1	ASM-Deck Complete 604



Deck Assembly

Ref.	Part Number	Qty.	Description	Ref.	Part Number	Qty.	Description
1	116-5812	1	Deck ASM,W/Decals 604	13	116-4670	2	Pulley-Idler, Flat
2	116-3344	3	ASM-Cutter Hsg With Bearings	14	114-8154	1	Belt-V
2:2	116-0720	2	Bearing-Ball	15	3231-44	2	Bolt-Carriage 3/8-16 X 2 1/2
2:3	116-3312	1	Spacer-Bearing	16	116-5614-01	1	Dogleg - Lz60
3	116-3341	3	ASM-Spindle And Seal	17	3231-22	1	Bolt-Carriage 3/8-16 X 1
4	116-1286	3	Guard,Bearing Top .989	18	109-6982	2	Wireform-Cover
5	116-7306	3	Nut-Hex	19	116-0094	1	Cover-Belt, RH
6	116-0676	3	Sheave,Blade Drive 7.25	20	109-6938	1	Cover-Belt, LH
7	109-6658	33	Nut-Nyloc 3/8-16 Flg	21	109-7188	1	ASM,Discharge Chute
8	116-9981	4	Kit, Anti-Scalp Roller	21:1	109-2738	1	Chute, Discharge
9	116-5174	3	Blade-Extreme 2, 20.50"	21:2	109-8675-01	1	Bracket,Discharge Chute
9	103-6403	3	Blade, Notched	21:3	3231-22	3	Bolt-Carriage 3/8-16 X 1
9	103-6393	3	Blade, Mulching ●	21:4	109-6658	3	Nut-Nyloc 3/8-16 Flg
9	103-6388	3	Blade, Low Lift	22	3231-28	3	Bolt-Carriage 3/8-16 X 1 1/4
9	103-6383	3	Blade, Solid	23	116-6317	1	Spring-Extension
10	103-3037	3	Bushing, Splined	24	52-2860	1	Washer
11	109-9220	3	Screw-Sems 1/2-20 X 2.19	25	116-5111	1	Bushing
12	1-633456	2	Bushing, Idler	26	126-0976	1	ASM-Idler Arm W/Bearings
				26:2	302-40	1	Zerk-90° 1/4-28

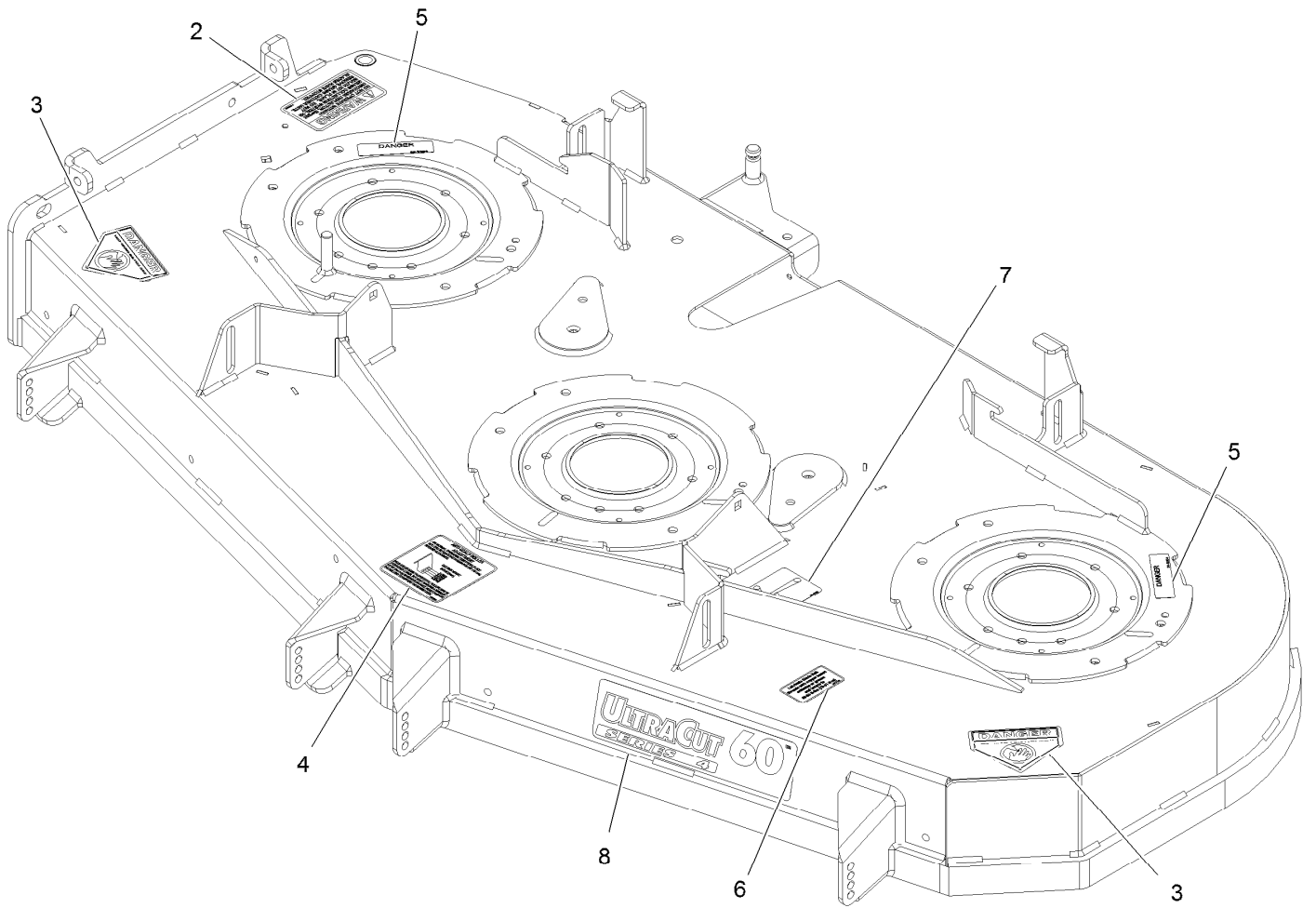
● Requires installation of mulch kit for proper mulching. See your Exmark dealer for details.



Deck Assembly (continued)

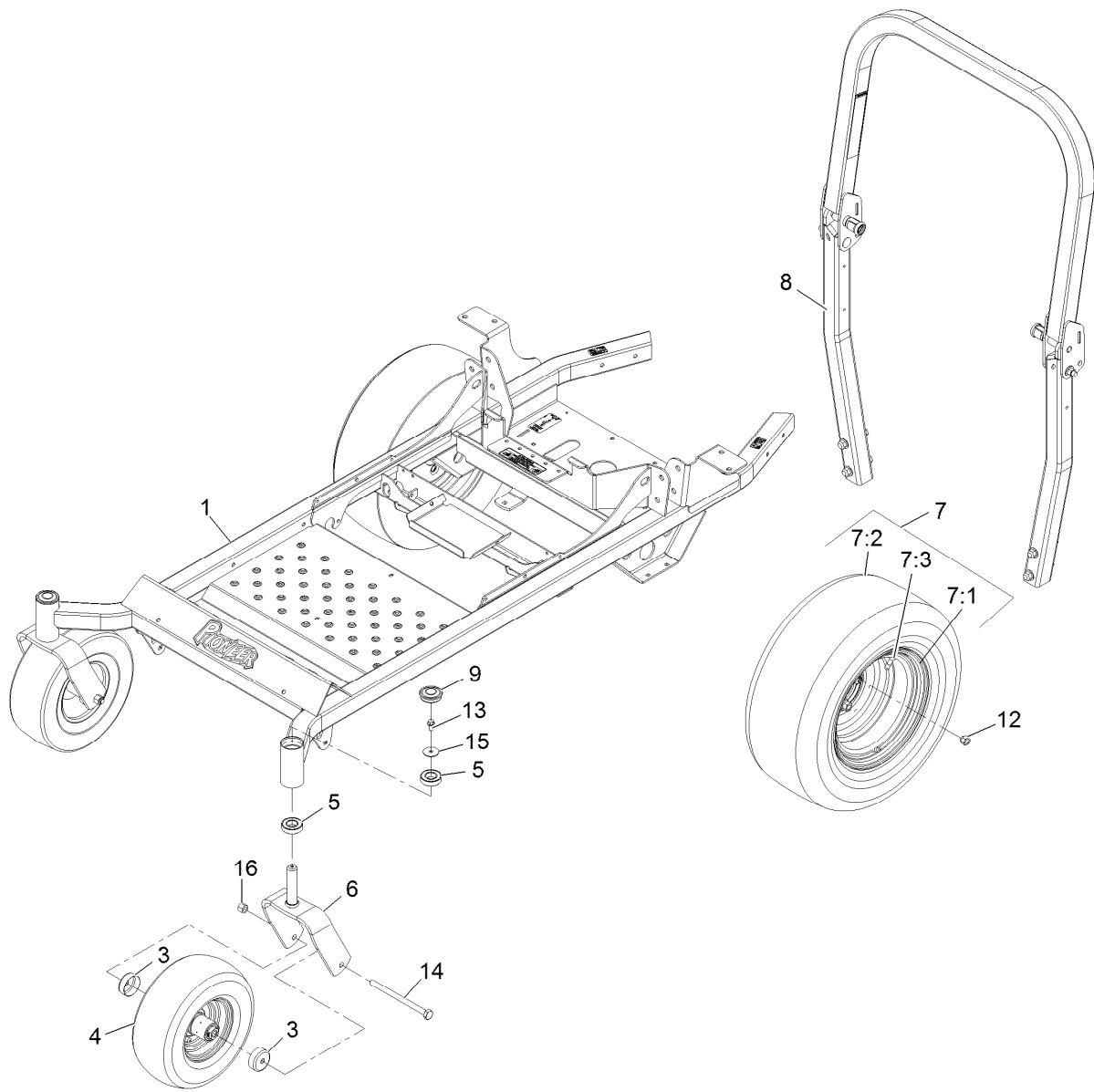
Ref.	Part Number	Qty.	Description	Ref.	Part Number	Qty.	Description
26:3	1-513034	2	Sleeve-Bearing	31	104-7201	1	Nut-Nyloc 1/4-20 Flg
26:4	32144-11	1	Screw-HWH 5/16-18 X 3/4 Tf	32	103-8415	4	Roller, Anti-Scalp
27	323-23	1	Screw-HH 3/8-16 X 4-1/2	33	98-5975	4	Washer-Spring Disc 3/8
28	126-1696	1	Screw-Thread Forming	34	116-8131	4	Axle, Roller
29	116-4668	1	Idler-Pulley, Flanged	35	116-9362	4	Screw-HH 3/8-16 X 3 3/4 Gr 8
30	112-8387	1	Bolt-HH Shoulder 1/4-20 X 1.64	36	103-2802	3	Washer-Spring Disc 3/4
				37	3256-24	1	Washer-Flat

● Requires installation of mulch kit for proper mulching. See your Exmark dealer for details.



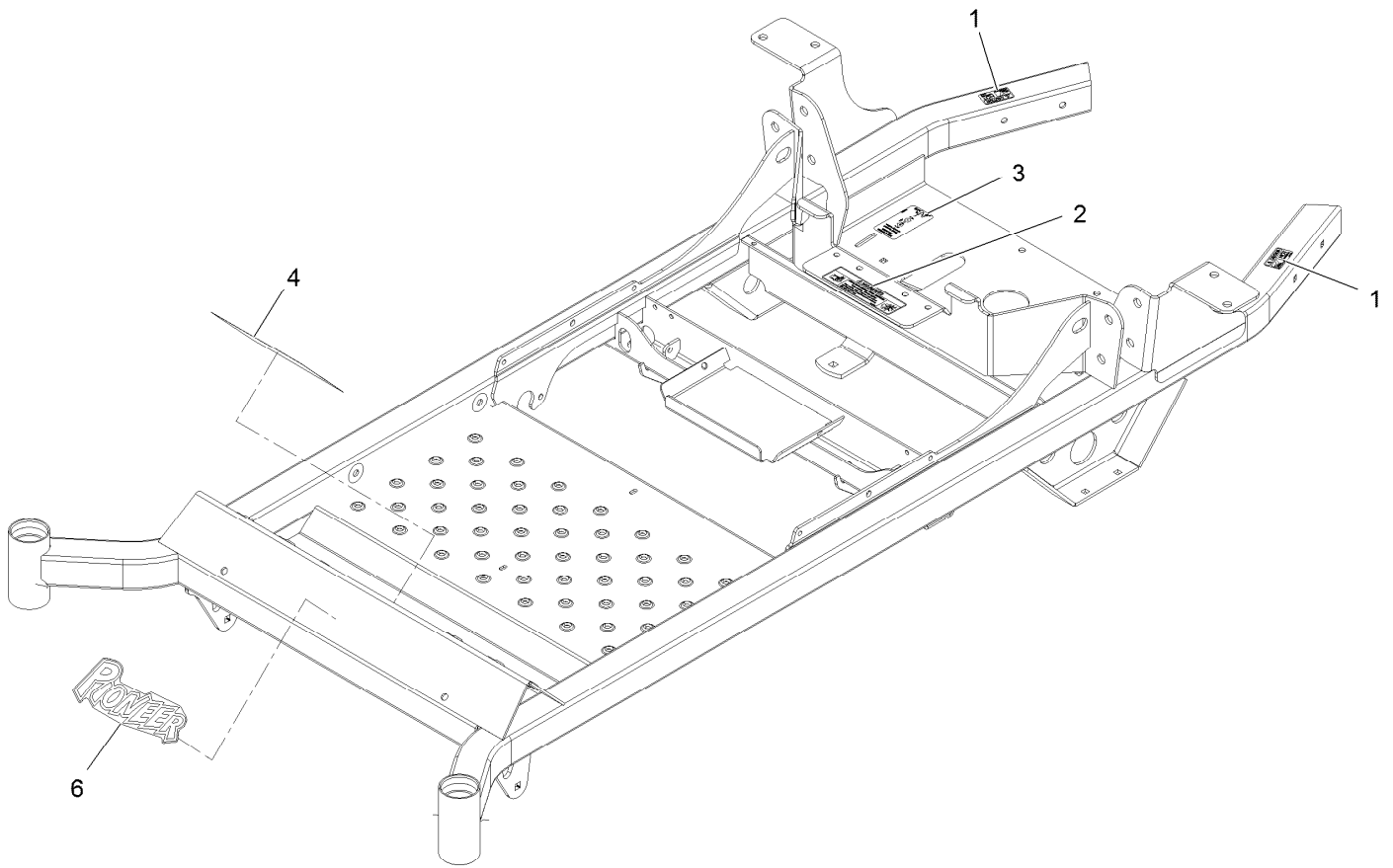
Deck W/Decals Assembly No. 116-5812

Ref.	Part Number	Qty.	Description
2	1-303508	1	Decal-Warning, Discharge
3	1-403005	2	Decal-Danger
4	1-633922	1	Decal, Anti-Scalp
5	98-5954	2	Decal-Missing Cover
6	109-3148	1	Decal, Bolt Torque
7	109-6035	1	Decal-Belt Routing
8	116-0025	1	Decal,Ultracut 60 Series 4



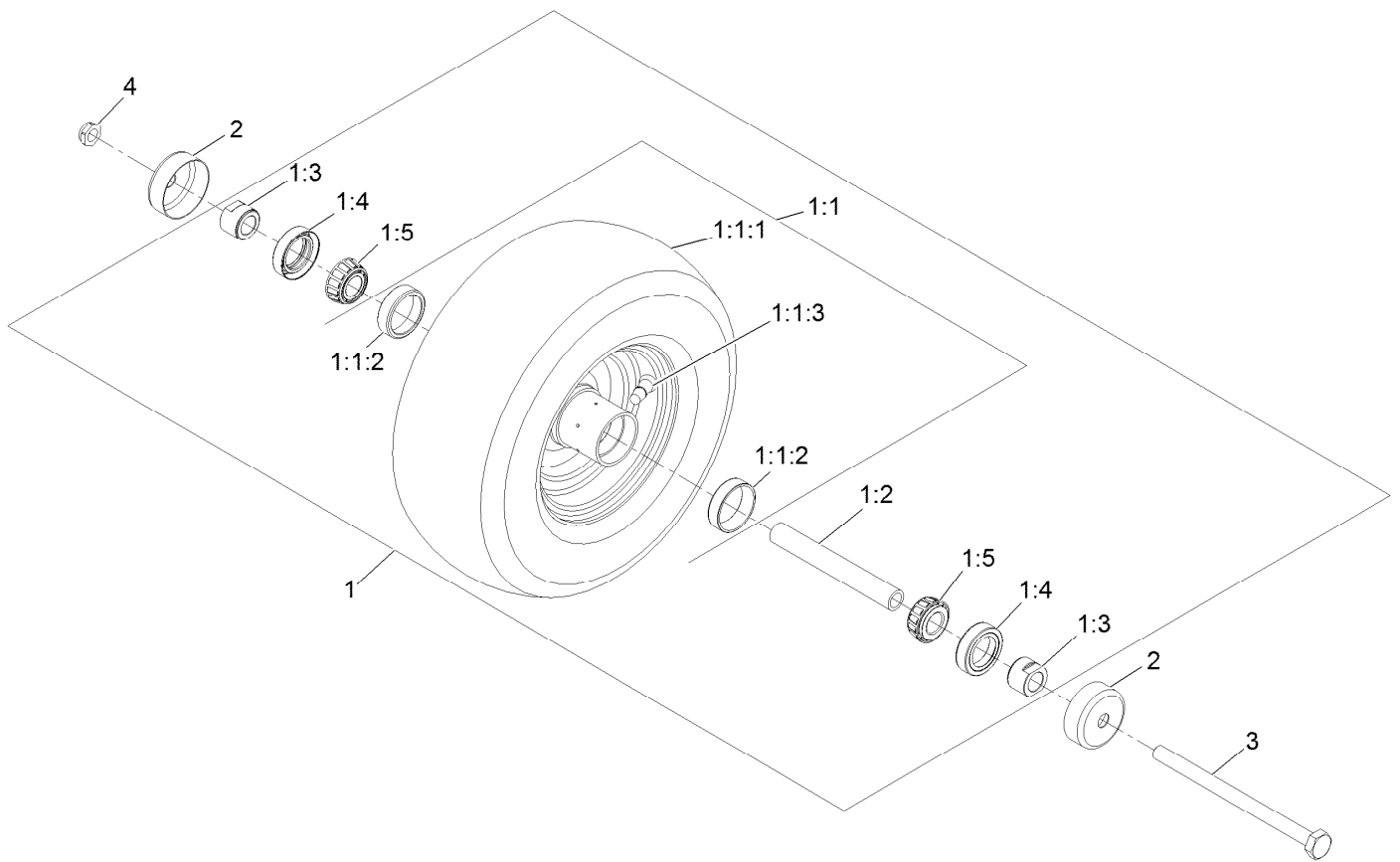
Main Frame Assembly

Ref.	Part Number	Qty.	Description	Ref.	Part Number	Qty.	Description
1	116-5854	1	Frame ASM-60	7:3	232-27	1	Stem-Valve
3	103-2768	4	Guard-Seal	8	116-3498	1	ASM-ROPS Pioneer
4	103-5189	2	Asm, Caster Wheel (Pneumatic)	9	116-4348	2	Cap-Grease
5	109-3678	4	Bearing-Ball	12	242-50	8	Nut-Lug 1/2-20
6	116-5861-01	2	Caster Fork [red]	13	3234-5	2	Screw-HH Flg 5/16-18 X 3/4
7	119-2685	2	Wheel And Tire ASM	14	325-36	2	Screw-HH 1/2-13 X 7 1/2
7:1	120-3272	1	Wheel	15	3256-68	2	Washer-Flat
7:2	120-3269	1	Tire	16	3296-23	2	Nut-Nyloc 1/2-13



Mainframe W/Decals Assembly No. 116-5854

<i>Ref.</i>	<i>Part Number</i>	<i>Qty.</i>	<i>Description</i>
1	103-2076	2	Decal-Caution
2	116-1119	1	Decal,Belt Drive
3	116-6363	2	Decal-Drive Release
4	116-3303	1	Decal-Slope
6	116-4570	1	Decal-Pioneer Logo

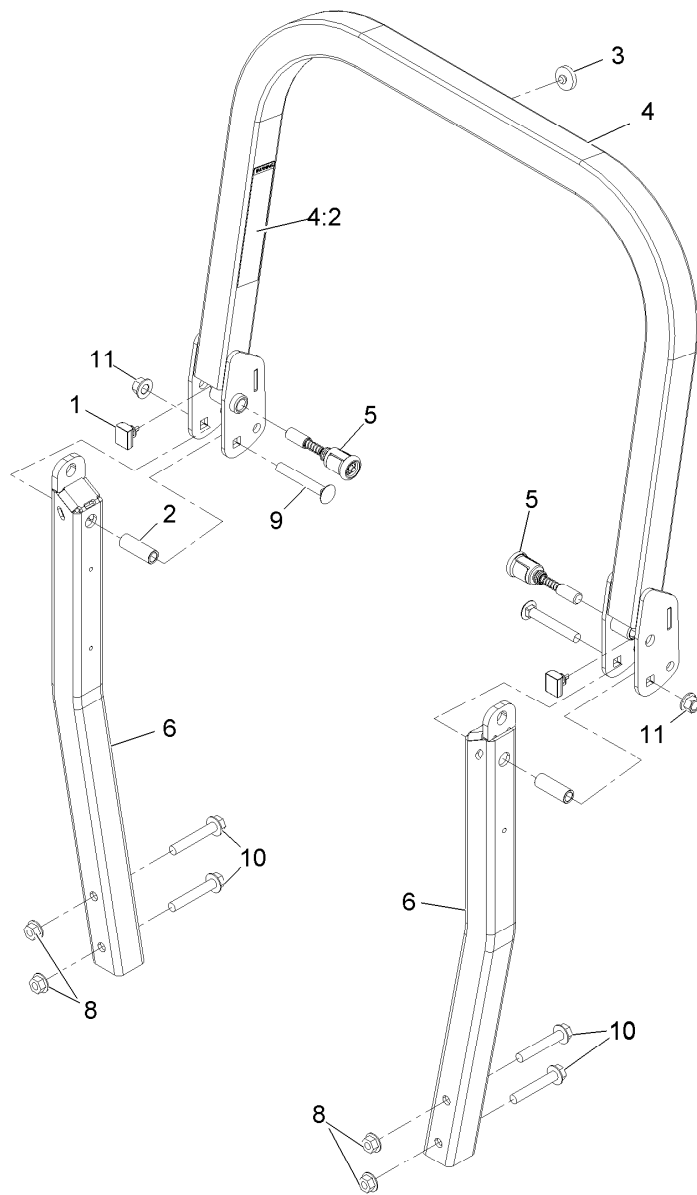


Caster Wheel Assembly No. 103-5189

Ref.	Part Number	Qty.	Description
1		1	ASM, Wheel And Brg 13X5.00-6 ●
1:1		1	ASM, Wheel And Tire 13X5.00-6 ●
1:1:1	1-633002	1	Tire
1:1:2	1-633584	2	Bearing-Cup
1:1:3	5108	1	Valve
1:2	103-3155	1	Axle-Caster
1:3	103-3051	2	Spacer-Nut ■
1:4	103-0063	2	Seal-Double Lip
1:5	1-633585	2	Bearing-Cone Tapered Roller
2	103-2768	2	Guard-Seal
3	325-36	1	Screw-HH 1/2-13 X 7 1/2
4	3296-45	1	Nut-Nyloc 1/2-13 Thin

● Not serviced separately

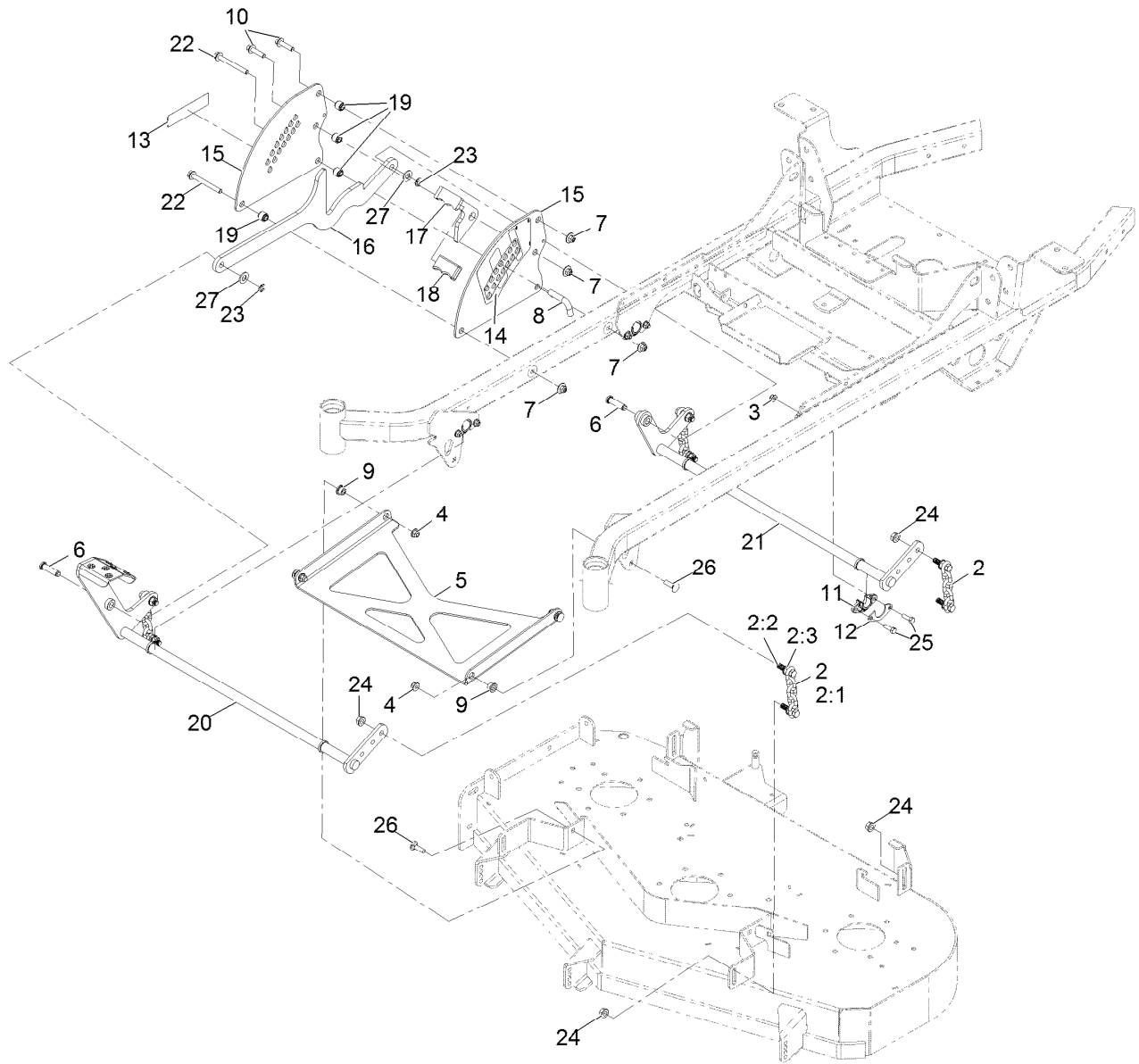
■ Use Pro-Lock, Nut Type (P/N 1-840022, .5ml tube) on threads.



Roll-Over Protection System Assembly No. 116-3498

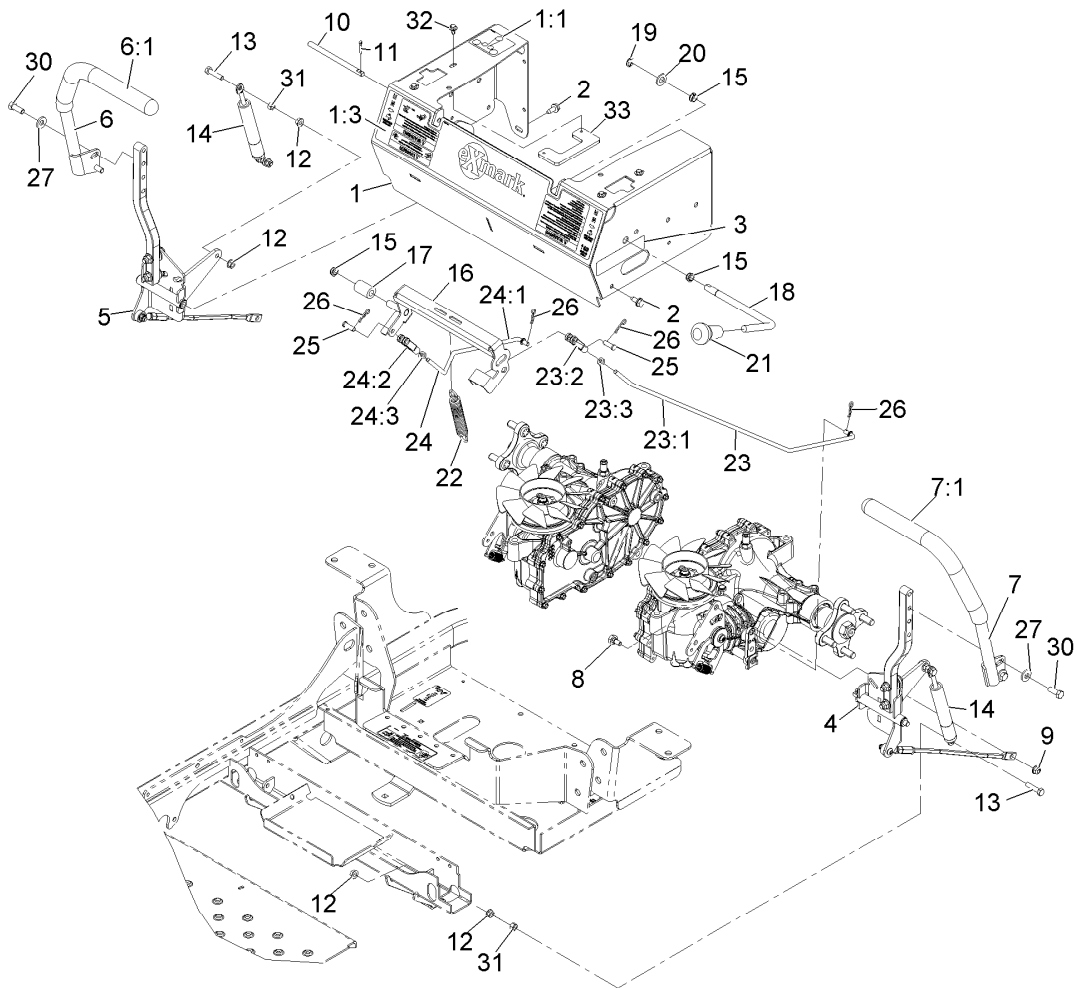
Ref.	Part Number	Qty.	Description
1	109-5337	2	Bumper-ROPS
2	109-6653	2	Spacer
3	109-9233	1	Bumper-Push-In, Rubber
4	116-0019	1	Upper ROPS ASM
4:2	107-2102	1	Decal-Warning, Folding ROPS
5	116-0104	2	Pin-Spring
6		2	ASM-Lwr ROPS Leg ●
8	32128-49	4	Nut-Whizlock 1/2-13
9	3233-10	2	Bolt-Carriage 1/2-13 X 3 1/2
10	3234-40	4	Screw-HF
11	99-5107	2	Nut-Lock 1/2-13

● Not serviced separately



Deck Lift Assembly

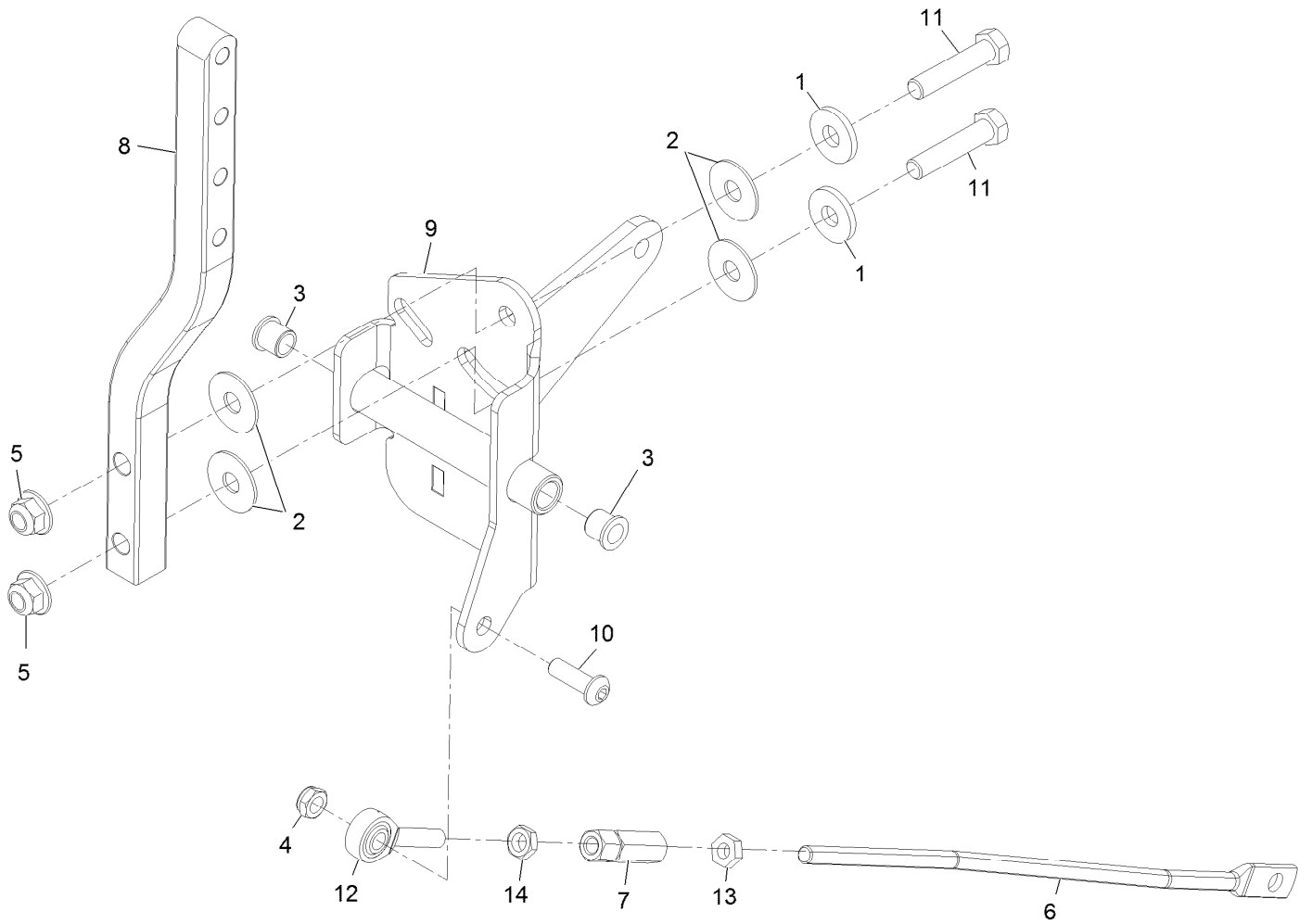
Ref.	Part Number	Qty.	Description	Ref.	Part Number	Qty.	Description
2	103-9817	4	Deck Chain ASM	13	116-3884	1	Decal-S-Series
2:1	1-633447	1	Chain-Lift, Deck	14	116-4308	1	Decal-Height Of Cut
2:2	103-1898	2	Screw-HH 7/16-20 X 1-5/8 Sp	15	116-4309-03	2	Plate,Deck Lift
2:3	32128-37	2	Nut-Whizlock 7/16-14	16	116-4310-03	1	Link-HOC
3	104-8300	8	Nut-Nyloc 5/16-18 Flg	17	116-4311	1	Transport Lock-HOC
4	104-8301	4	Nut-Nyloc 3/8-16 Flg	18	116-4312	1	Grip-Bar, Flat
5	109-3723-01	1	Strut-Deck	19	116-4313	4	Spacer-Step, Double
6	109-5819	2	Pin-Clevis	20	116-6011-03	1	Wld-Deck Lift Shaft Frt
7	109-6658	4	Nut-Nyloc 3/8-16 Flg	21	116-6012-03	1	Wld-Deck Lift Shaft Rr
8	116-5584	1	Pin-HOC	22	116-4701	2	Screw-HHF
9	109-8788	4	Bushing-Flanged	23	32120-47	2	Ring-Retaining
10	114-4681	2	Screw-HHF	24	32128-37	8	Nut-Whizlock 7/16-14
11	115-5065	4	Bushing-Flange	25	322-5	8	Screw-HH 5/16-18 X 1
12	116-2887	4	Gusset-Lift, Deck	26	3231-25	4	Bolt-Carriage 3/8-16 X 1 1/4
				27	3256-26	2	Washer-1/2 Sae



Motion Control Assembly

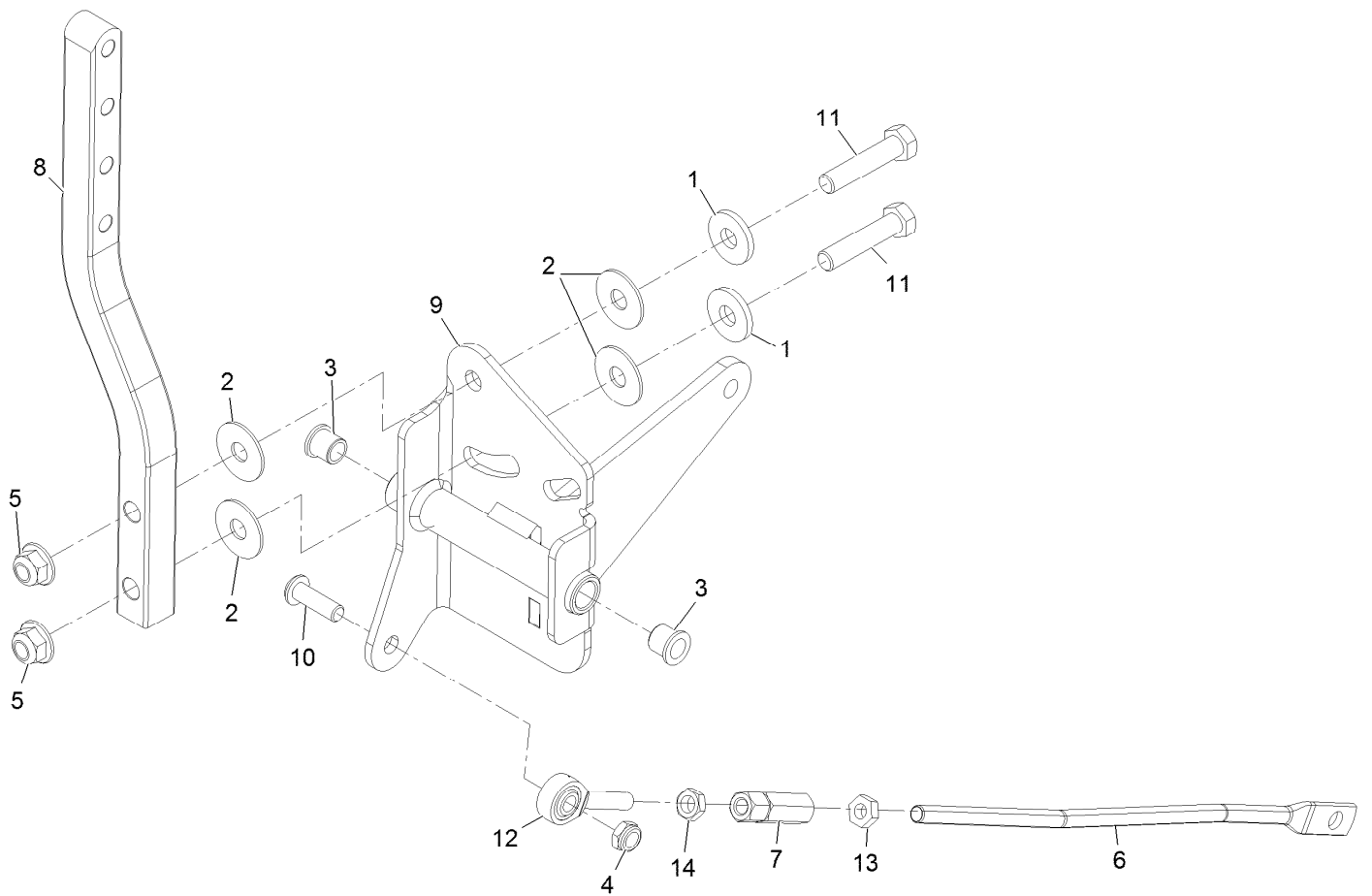
Ref.	Part Number	Qty.	Description	Ref.	Part Number	Qty.	Description
1	116-3188	1	ASM-Mot Ctrl Frm W/Dcl	16	116-6233	1	Wld-Brake Center Arm
1:1	109-6014	1	Decal-Belt Routing	17	109-5010	1	Spacer
1:3	116-4430	1	Decal-Front Panel	18	116-3155	1	Handle, Brake
2	32144-70	6	Screw-HWH 5/16-18 X 3/4 Tf	19	32120-47	1	Ring-Retaining
3	116-3884	1	Decal-S-Series	20	106-9888	1	Washer-Flat
4		1	Motion Control ASM-LH ●	21	106-7952	1	Knob
5		1	Motion Control ASM-RH ●	22	88-6130	1	Spring-Deck, Engagement
6	119-3486	1	RH Handle ASM	23	116-1165	1	Brake Linkage ASM-LH
6:1	108-6187	1	Grip	23:1	116-1167	1	Linkage, Brake LH
7	119-3485	1	LH Handle ASM	23:2	1-303105	1	Yoke-Adjustable
7:1	108-6187	1	Grip	23:3	3220-2	1	Nut-Jam 5/16-24
8	37-8771	2	Screw-Shoulder 5/16-18 X 5/8	24	116-1166	1	Brake Linkage ASM-RH
9	104-8300	2	Nut-Nyloc 5/16-18 Flg	24:1	116-1168	1	Linkage-Brake, RH
10	109-3705	2	Pin-Control Pivot	24:2	1-303105	1	Yoke-Adjustable
11	3272-10	2	Pin-Cotter 1/8 X 3/4	24:3	3220-2	1	Nut-Jam 5/16-24
12	32128-20	8	Nut-Whizlock 5/16-18	25	1-808280	2	Pin-Clevis 5/16 X 1 49/64
13	1-403180	4	Screw-HH 5/16-18 X 1 1/4 Sp	26	1-806003	4	Hairpin-Cotter
14	109-5957	2	Damper-Motion Control	27	98-5975	4	Washer-Spring Disc 3/8
15	116-1393	3	Bushing, Snap	30	323-6	4	Screw-HH 3/8-16 X 1
				31	3217-6	4	Nut-Hex 5/16-18
				32	46-8560	4	Screw-HHF 1/4-20 X 1/2
				33	109-6214	2	Stop-Motion Control

● Not serviced separately



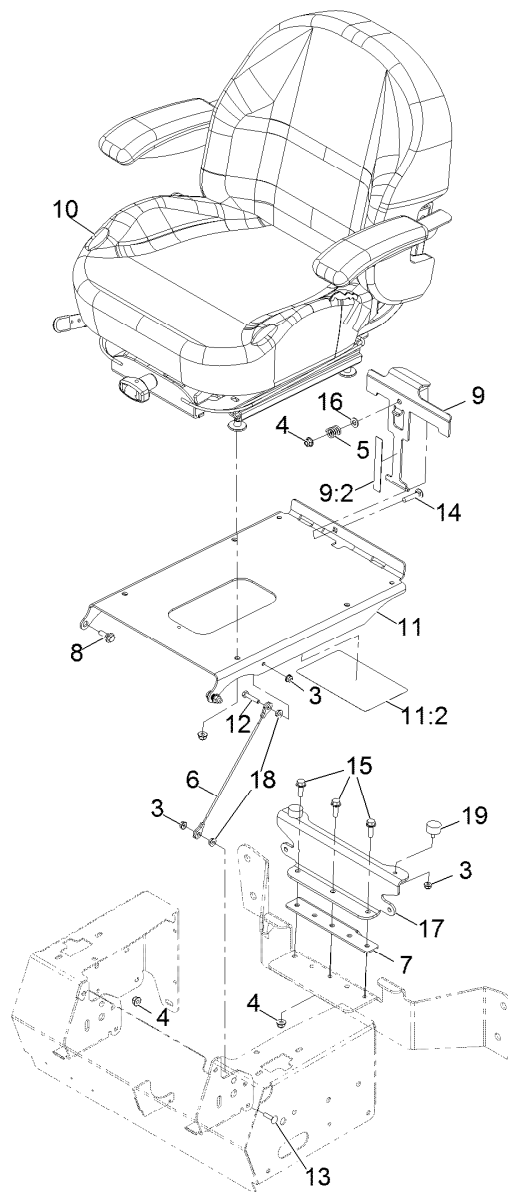
Motion Control Assembly - LH

Ref.	Part Number	Qty.	Description
1	5-0838	2	Washer
2	52-2900	4	Washer-Plastic
3	103-9928	2	Bearing
4	3296-47	1	Nut-Nyloc 5/16-18 Thin
5	104-8301	2	Nut-Nyloc 3/8-16 Flg
6	116-2543	1	Link,Motion Control
7	109-3728	1	Nut-Rod Adjustment
8	116-3183	1	Arm-Motion Control
9	116-5477	1	LH Control Pivot ASM
10	3274-104	1	Screw-Button Head 5/16-18 X 1
11	323-9	2	Screw-HH 3/8-16 X 1 3/4
12	2411-53	1	Balljoint LH
13	3220-2	1	Nut-Jam 5/16-24
14	3220-20	1	Nut-Jam 5/16-24 LH



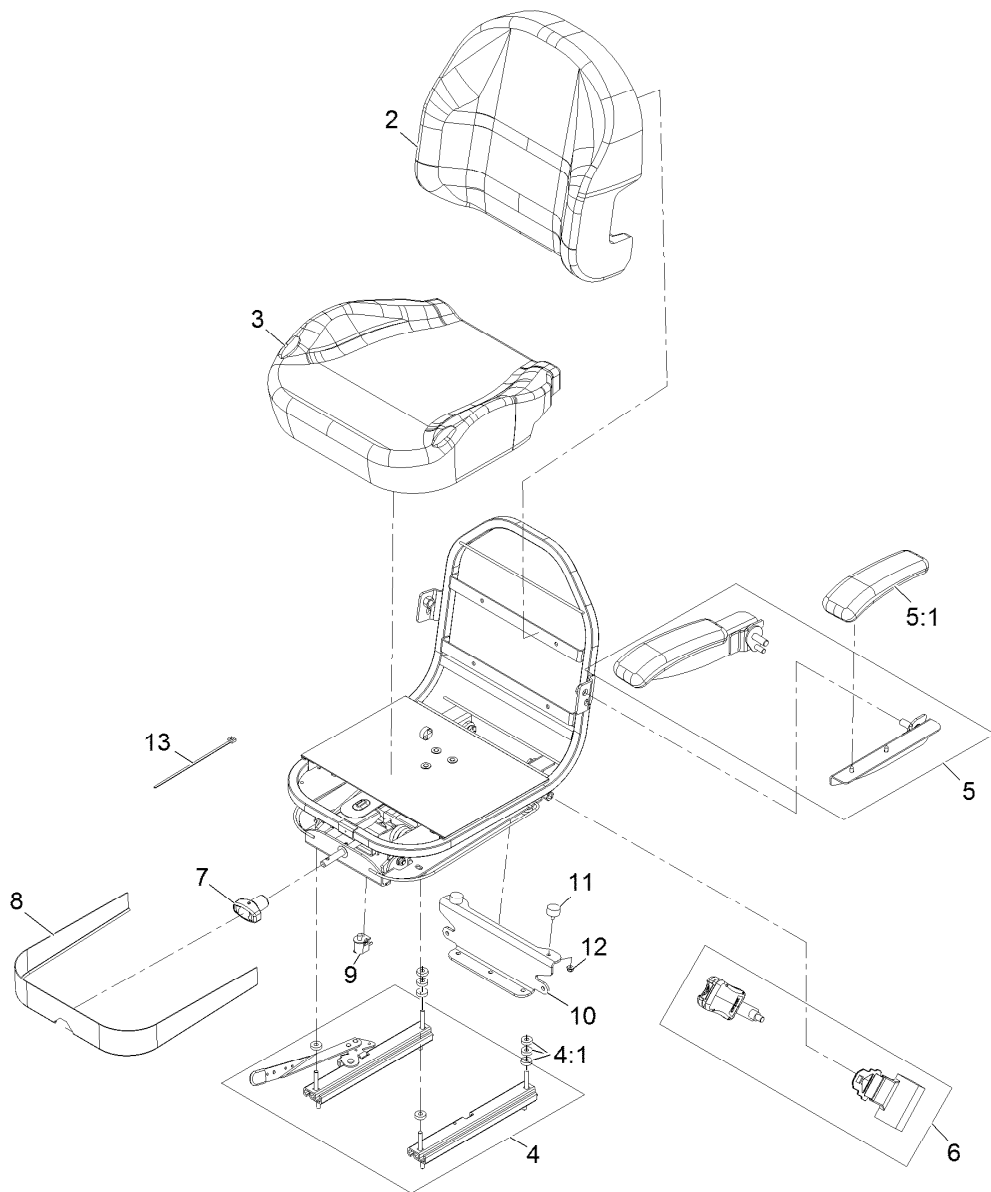
Motion Control Assembly - RH

Ref.	Part Number	Qty.	Description
1	5-0838	2	Washer
2	52-2900	4	Washer-Plastic
3	103-9928	2	Bearing
4	3296-47	1	Nut-Nyloc 5/16-18 Thin
5	104-8301	2	Nut-Nyloc 3/8-16 Flg
6	116-2543	1	Link,Motion Control
7	109-3728	1	Nut-Rod Adjustment
8	116-3183	1	Arm-Motion Control
9	116-5476	1	RH Control Pivot ASM
10	3274-104	1	Screw-Button Head 5/16-18 X 1
11	323-9	2	Screw-HH 3/8-16 X 1 3/4
12	2411-53	1	Balljoint LH
13	3220-2	1	Nut-Jam 5/16-24
14	3220-20	1	Nut-Jam 5/16-24 LH



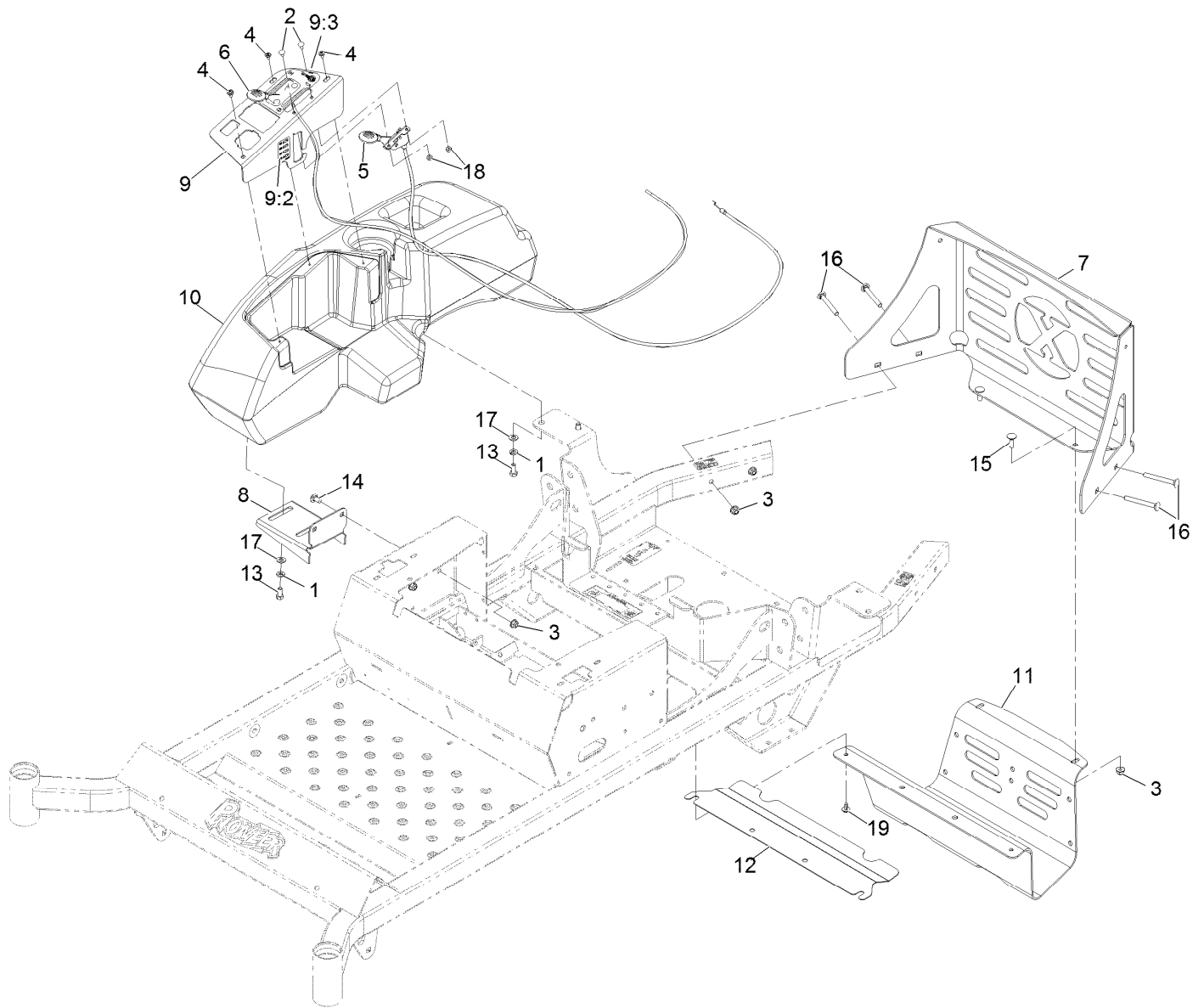
Seat Assembly

<i>Ref.</i>	<i>Part Number</i>	<i>Qty.</i>	<i>Description</i>	<i>Ref.</i>	<i>Part Number</i>	<i>Qty.</i>	<i>Description</i>
3	104-7201	4	Nut-Nyloc 1/4-20 Flg	11:2	109-6016	1	Decal-Service Aid
4	104-8300	10	Nut-Nyloc 5/16-18 Flg	12	321-8	1	Screw-HH 1/4-20 X 1 1/4
5	107-3017	1	Spring-Compression	13	3229-2	1	Bolt-Carriage 1/4-20 X 1
6	109-2628	1	Cable-Stop, Seat	14	3230-4	1	Bolt-Carriage 5/16-18 X 1 1/2
7	116-0871	1	Catch,Seat Latch	15	3234-29	3	Screw-HH Flg 5/16-18 X 1
8	116-1297	2	Screw-Shoulder	16	3256-23	1	Washer-5/16 Sae
9	116-3121	1	ASM-Seat Latch	17	126-0480-01	1	Plate-Seat Support
9:2	116-3120	1	Strip-Poly Wear	18	32128-33	2	Nut-Whizlock 1/4-20
10	126-2802	1	Kit-Seat Suspension	19	240-14	2	Bumper-Rubber
11	116-4418	1	Plate, Seat W/Decals				



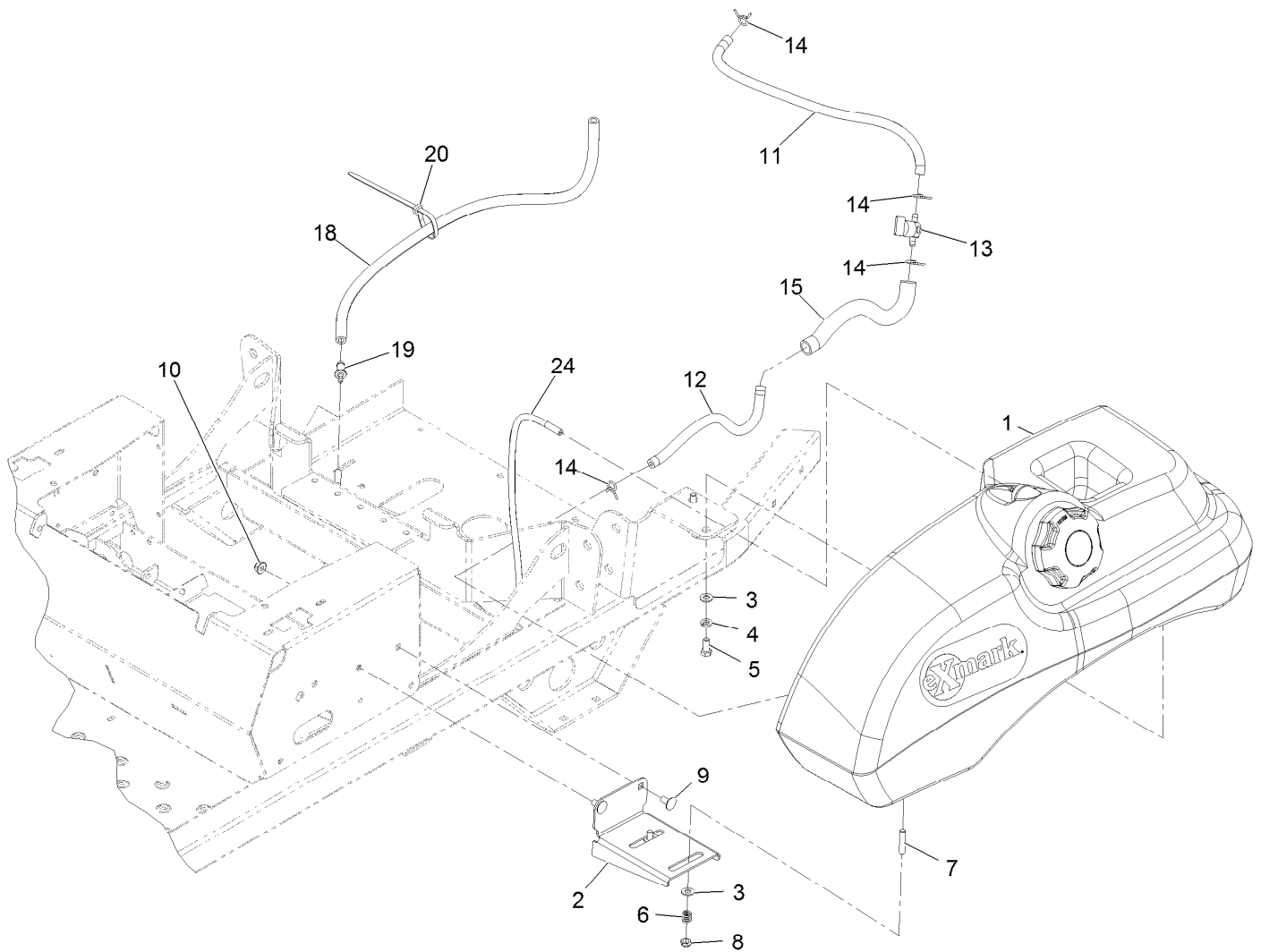
Seat W/Tracks Assembly No. 126-2802

Ref.	Part Number	Qty.	Description
2	126-3505	1	Cover-Seat Back
3	130-0848	1	Cover-Cushion
4	126-3501	1	Kit-Track-Seat 4"
4:1	26-4840	8	Spacer-Pin, Mounting
5	126-2058	1	Armrest Kit
5:1	110-4163	2	Cushion-Rest, Arm
6	126-3504	1	Kit-Seat Belt Service
7	130-0846	1	Knob-Adjuster
8	126-3506	1	Cover-Skirt W/Fasteners
9	82-2190	1	Switch
10	126-0480-01	1	Plate-Seat Support
11	240-14	2	Bumper-Rubber
12	104-7201	2	Nut-Nyloc 1/4-20 Flg
13	1-303335	1	Tie-Cable 7 15/16 (Large)



Controls Assembly

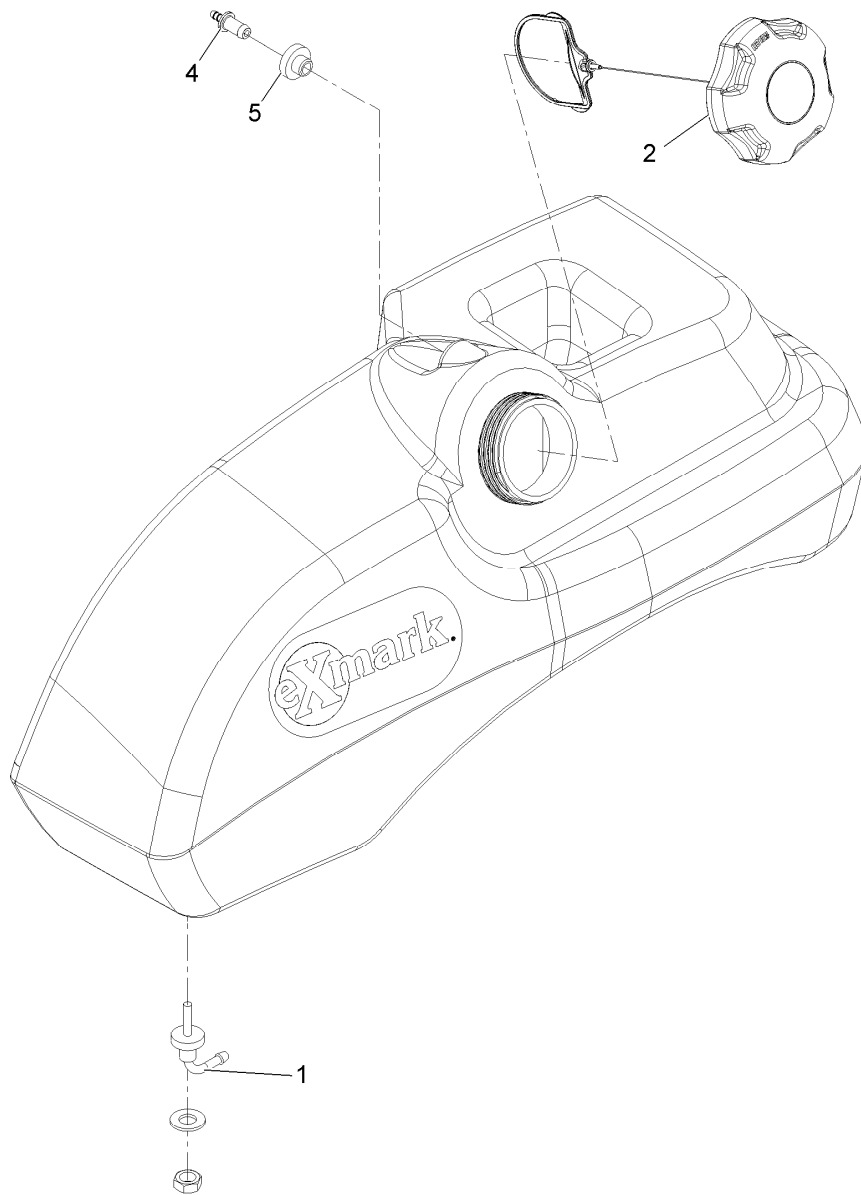
<i>Ref.</i>	<i>Part Number</i>	<i>Qty.</i>	<i>Description</i>	<i>Ref.</i>	<i>Part Number</i>	<i>Qty.</i>	<i>Description</i>
1	1-805005	4	Washer-Lock 5/16 Heavy	10	116-4138	1	Console,RH
2	1-807513	4	Bolt-Carriage #10-24 X 1/2	11	116-4708-03	1	Guard-Muffler
3	104-8300	8	Nut-Nyloc 5/16-18 Flg	12	126-0456-03	1	Shield, Heat
4	109-2661	3	Screw-PPH #10-24 X 1/2	13	322-3	4	Screw-HH 5/16-18 X 3/4
5	126-2800	1	Control-Throttle	14	3230-18	2	Bolt-Carriage 5/16-18 X 5/8
6	109-9147	1	Control-Choke	15	3230-2	2	Bolt-Carriage 5/16-18 X 1
7	116-3453-03	1	Panel,Rear Guard	16	3230-9	4	Bolt-Carriage 5/16-18 X 2 3/4
8	116-3495-03	1	Bracket-Tank And Fender	17	3256-23	4	Washer-5/16 Sae
9	116-9051	1	ASM, Control Panel W/ Decal	18	3296-2	4	Nut-Nyloc #10-24
9:2	116-1496	1	Decal,Fuse Block	19	46-8560	2	Screw-HHF 1/4-20 X 1/2
9:3	116-4465	1	Decal-Throttle Choke				



Fuel Tank Mounting Assembly

Ref.	Part Number	Qty.	Description	Ref.	Part Number	Qty.	Description
1	116-4610	1	ASM-Fuel Tank	11	110-5706	1	Hose-Fuel
2	116-3495-03	1	Bracket-Tank And Fender	12	109-0282	1	Hose-Fuel
3	3256-23	4	Washer-5/16 Sae	13	1-603770	1	Valve-Fuel
4	1-805005	2	Washer-Lock 5/16 Heavy	14	1-303077	4	Clamp-Fuel Line
5	322-3	2	Screw-HH 5/16-18 X 3/4	15	116-4515	1	Conduit-Fuel Line
6	1-633349	2	Spring-Compression	18	114-0832	1	Hose-Fuel
7	1-633023	2	Stud-Fuel Tank ●	19	116-4630	1	Fitting-Straight Orifice
8	3296-47	2	Nut-Nyloc 5/16-18 Thin	20	1-303335	1	Tie-Plastic
9	3230-18	2	Bolt-Carriage 5/16-18 X 5/8	24	116-4802	1	Hose,Emissions
10	104-8300	2	Nut-Nyloc 5/16-18 Flg				

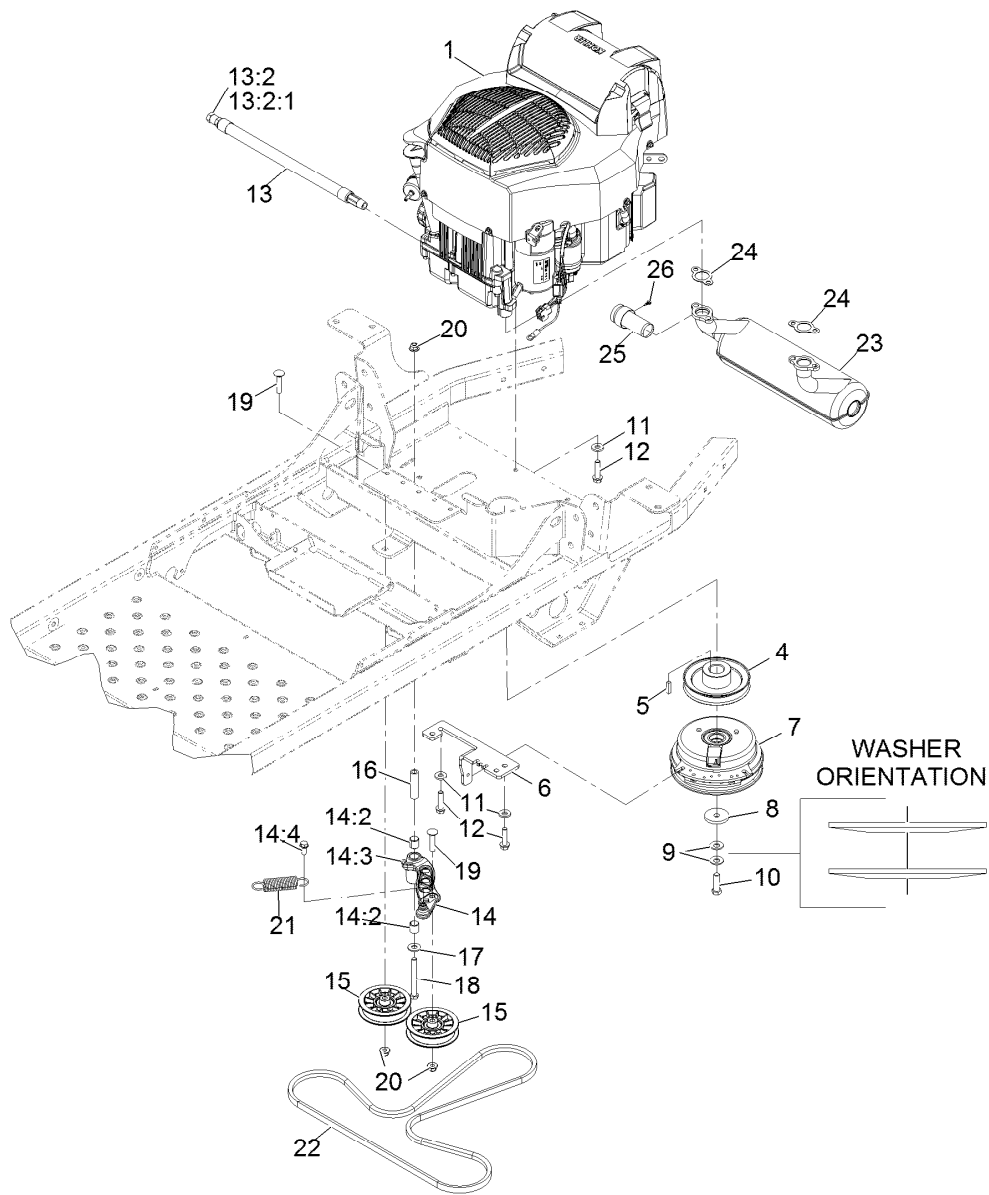
● Use Pro-Lock, Nut Type (P/N 1-840022, .5ml tube) on threads.



Fuel Tank Assembly No. 116-4610

<i>Ref.</i>	<i>Part Number</i>	<i>Qty.</i>	<i>Description</i>
1	103-2605	1	Fitting-Fuel Bulkhead W/Strainer ●
2	120-5461	1	Cap-Fuel, Ratcheting
4	116-4630	1	Fitting-Straight Orifice
5	46-6560	1	Bushing

● Use Pro-Lock, Nut Type (P/N 1-840022, .5ml tube) on threads.



Engine Assembly

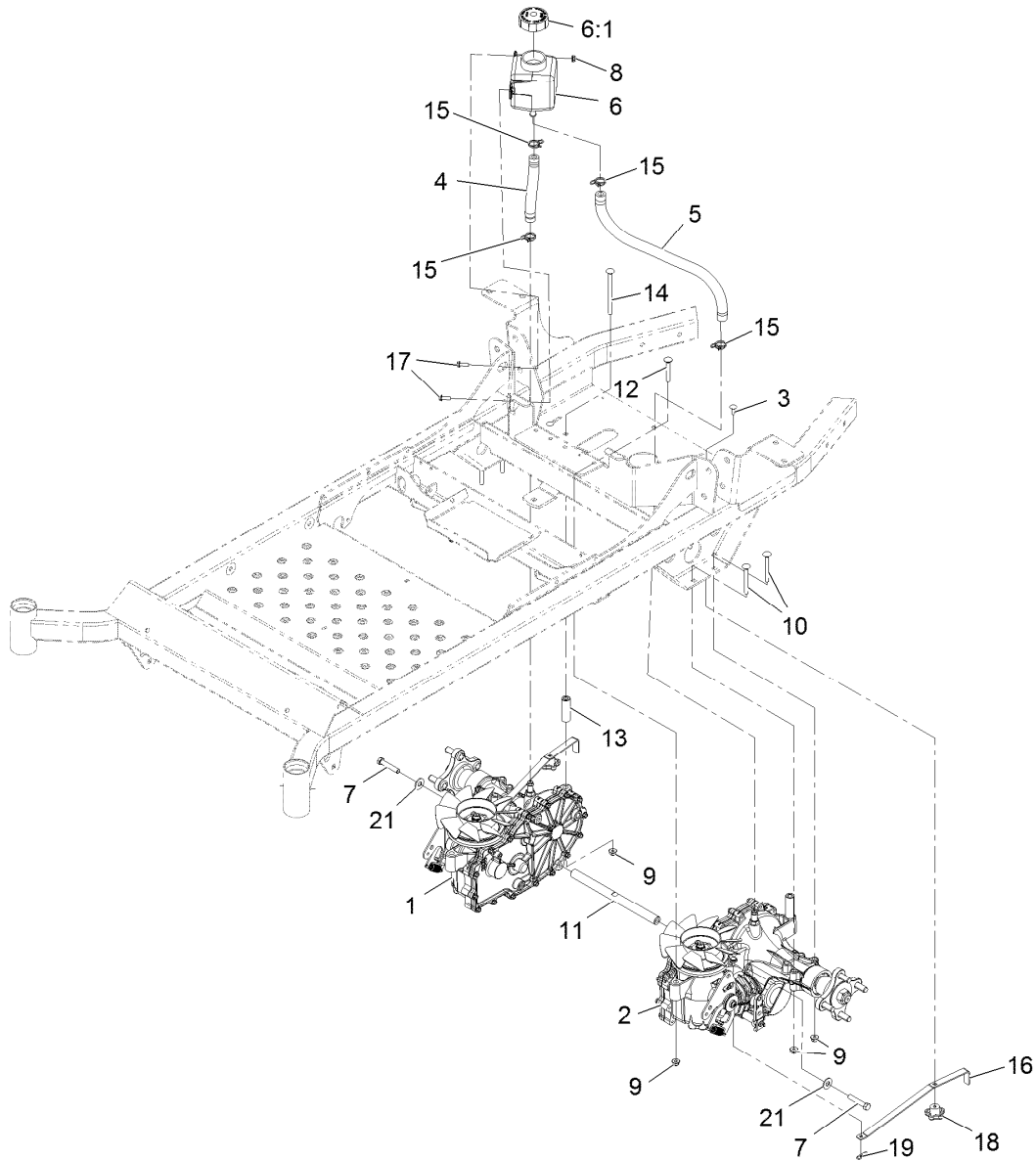
Ref.	Part Number	Qty.	Description	Ref.	Part Number	Qty.	Description
1		1	Engine - Kohler Zt740 ●■	14:2	1-513034	2	Sleeve-Bearing
4	116-1946	1	Sheave-Pump, Drive	14:3	302-40	1	Zerk-90° 1/4-28
5	1-807259	1	Key-Machine 1/4 X 1/4 X 1	14:4	32144-11	1	Screw-HWH 5/16-18 X 3/4 Tf
6	116-4773-03	1	Anchor-Clutch	15	116-2456	2	Pulley-Flat, 3.50 Dia
7	116-1604	1	Clutch	16	1-603384	1	Bushing-Pivot, Idler
8	109-6919	1	Washer-Clutch	17	3256-4	1	Washer-3/8 Std
9	1-603610	2	Washer-Spring Disc 7/16	18	323-15	1	Screw-HH 3/8-16 X 3 1/2
10	109-9761	1	Screw-HH 7/16-20 X 1 1/2 W/Loctite ◆	19	3231-5	2	Bolt-Carriage 3/8-16 X 1 3/4
11	98-5975	4	Washer-Spring Disc 3/8	20	104-8301	3	Nut-Nyloc 3/8-16 Flg
12	32144-102	4	Screw-HWH 3/8-16 X 1 1/2 Taptite	21	1-603402	1	Spring-Extension
13	116-5316	1	Oil Drain Hose ASM	22	115-9613	1	V-Belt
13:2	353-508	1	Plug-W/O-Ring	23	126-1477	1	Muffler, Kohler ▲
13:2:1	237-42	1	O-Ring	24	110-6697	2	Gasket-Exhaust
14	126-0973	1	ASM-Idler Arm W/Bearings	25	126-0268	1	Arrestor-Spark
				26	126-0275	1	Screw-HWH

● Not serviced separately

▲ Includes spark arrestor and mounting screw.

◆ Use Pro-Lock, Nut Type (P/N 1-840022, .5ml tube) on threads.

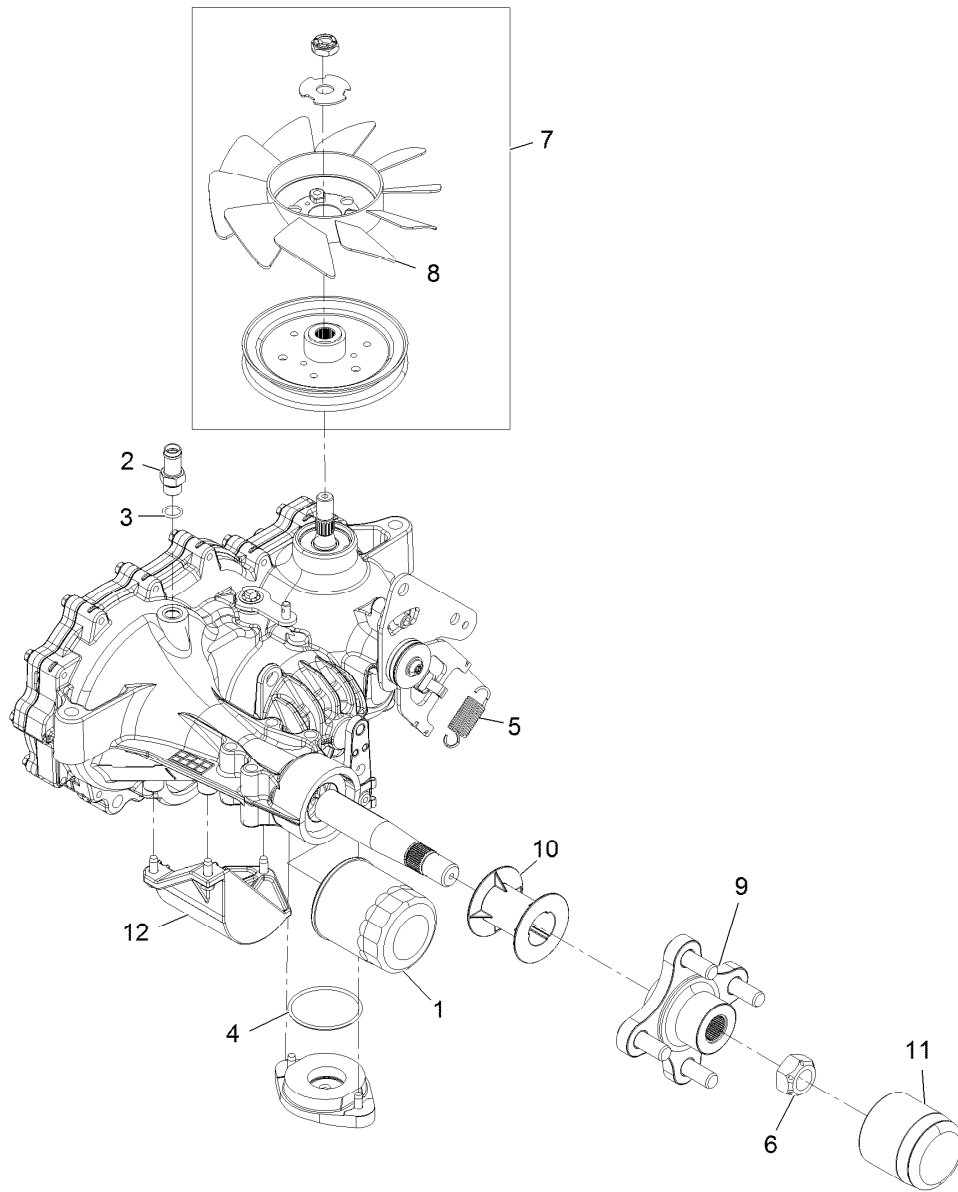
■ Obtain parts from www.kohlerplus.com



Hydraulic Assembly

Ref.	Part Number	Qty.	Description	Ref.	Part Number	Qty.	Description
1	116-6007	1	Transaxle ASM	11	116-6833	1	Shaft-Spacer
2	116-6008	1	Transaxle ASM	12	3230-7	2	Bolt-CARR
3	3229-1	2	Bolt-CARR	13	116-5809	2	Spacer-Hydro
4	116-5641	1	Hose-Hydraulic	14	3230-30	2	Screw-CARR
5	116-5642	1	Hose-Hydraulic	15	126-0327	4	Clamp-Hose
6	109-2250	1	Vent-Tank, Hydro	16	109-5395	2	Arm-Hydro Bypass
6:1	109-3320	1	Cap-Reservoir, HYD	17	32105-15	2	Screw-HWH
7	94-7972	2	Screw-HH W/Loctite ●	18	108-6402	2	Knob-Handle
8	104-7201	2	Nut-HF	19	1-806003	2	Pin-Cotter, Hair
9	104-8300	8	Nut-Flange, NI	21	3256-4	2	Washer-Flat
10	3230-9	4	Screw-CARR				

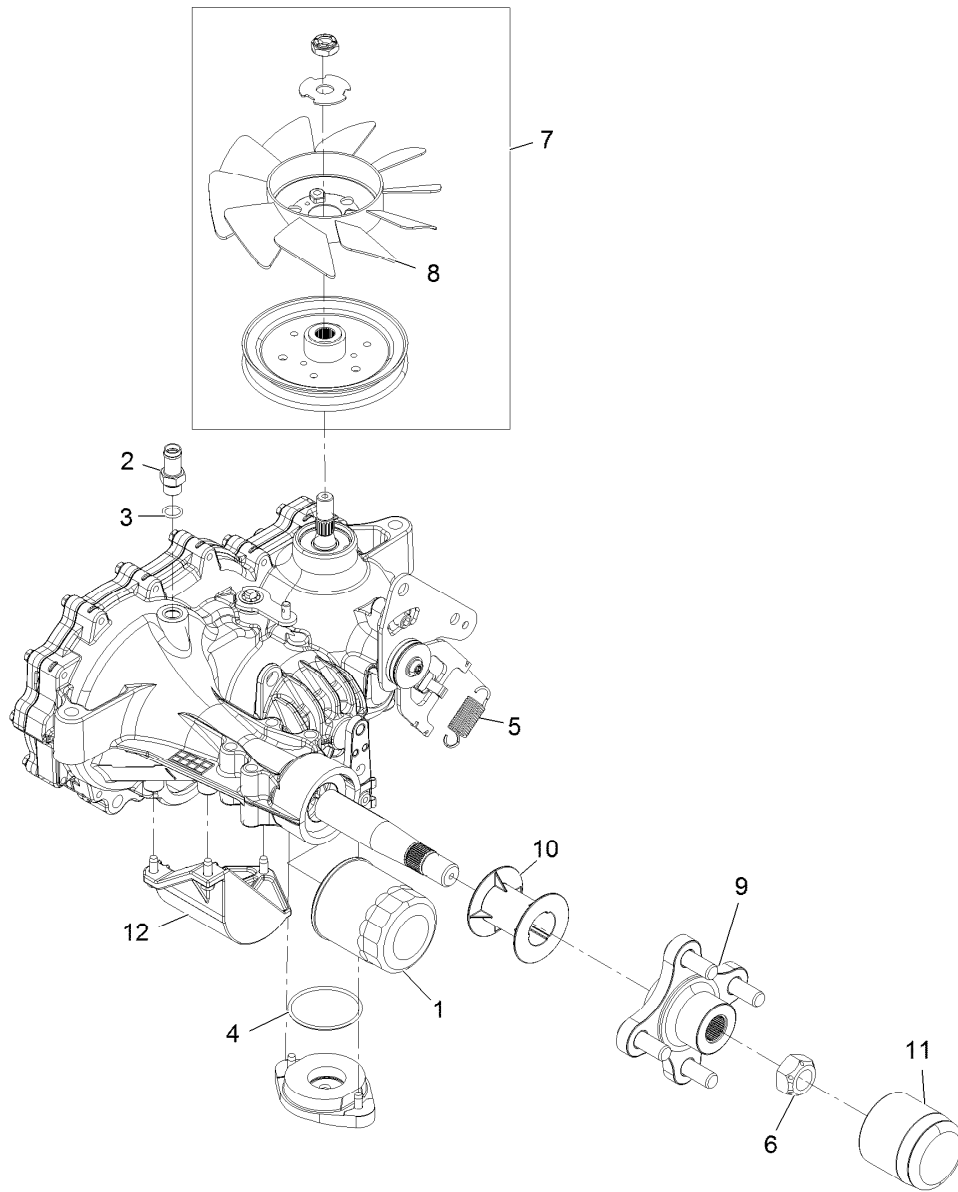
● Use Pro-Lock, Nut Type (P/N 1-840022, .5ml tube) on threads.



Transaxle Assembly

Ref.	Part Number	Qty.	Description
1	109-3321	1	Filter-Hydraulic
2	109-3278	1	Adapter-Straight
3	237-42	1	O-Ring
4	109-3540	1	O-Ring-Charge Seal Cover
5	109-5592	1	Spring
6	109-3536	1	Nut-Hub
7	109-5938	1	Fan And Pulley Kit
8	114-8453	1	Fan-7.0
9	116-3872	1	Hub-Offset
10	116-6213	1	Tube-Axle 2.04
11	116-6214	1	Cap-Long Axle
12	120-7981	1	Guard-Filter, RH
99	109-3537	1	Seal Kit ●

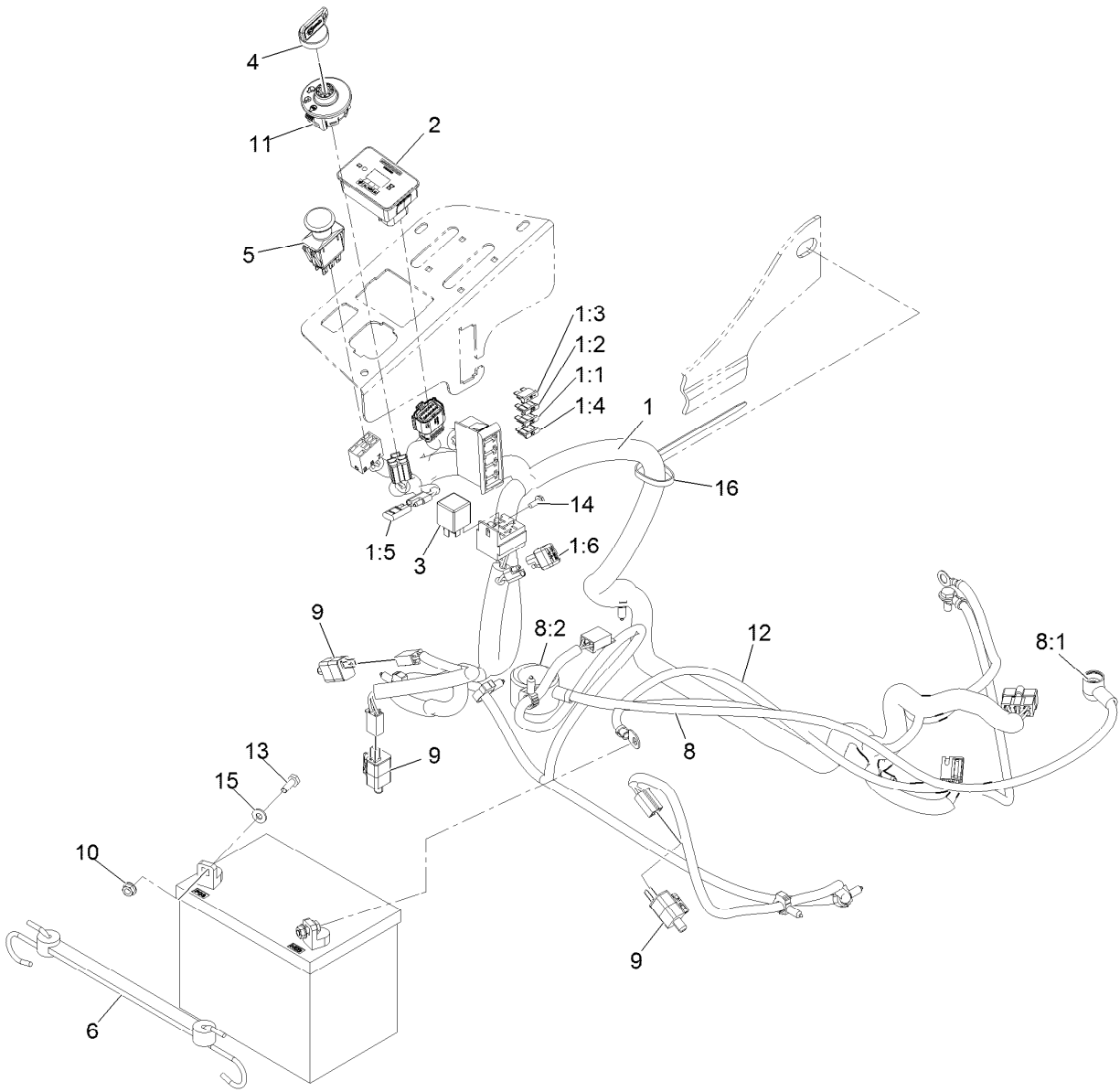
● Not illustrated



Transaxle Assembly

Ref.	Part Number	Qty.	Description
1	109-3321	1	Filter-Hydraulic
2	109-3278	1	Adapter-Straight
3	237-42	1	O-Ring
4	109-3540	1	O-Ring-Charge Seal Cover
5	109-5592	1	Spring
6	109-3536	1	Nut-Hub
7	109-5938	1	Fan And Pulley Kit
8	114-8453	1	Fan-7.0
9	116-3872	1	Hub-Offset
10	116-6213	1	Tube-Axle 2.04
11	116-6214	1	Cap-Long Axle
12	120-7979	1	Guard-Filter, LH
99	109-3537	1	Seal Kit ●

● Not illustrated



Electrical Assembly

Ref.	Part Number	Qty.	Description
1	116-4861	1	Harness, Wire ●
1:1	109102	1	Fuse-Blade, 25 Amp
1:2	1-816001	1	Fuse-Blade Type, 20 Amp
1:3	109355	1	Fuse-Blade, 15 Amp
1:4	218-578	1	Fuse-Blade, 10 Amp
1:5	116-0053	1	Cap-Plug
1:6	103-3895	1	Diode-Tvs
2	116-5609	1	Module ASM
3	1-643275	1	Relay-12Vdc 40 Amp
4	1-603511	1	Key-Ignition
4	103-2106	1	Key-Exmark Logo
5	103-5221	1	Switch-PTO
6	104-2466	1	Holddown-Battery

Ref.	Part Number	Qty.	Description
8	109-7630	1	Positive Battery Cable ASM
8:1	109-2407	1	Insulator-Battery
8:2	1-543393	1	Insulator-Solenoid
9	110-6765	3	Switch
10	32128-33	2	Nut-Whizlock 1/4-20
11	117-2221	1	Switch-Ignition
12	117-7240	1	Cable-Battery, Negative
13	321-4	2	Screw-HH 1/4-20 X 3/4
14	32144-1	1	Screw-HWH #10-24 X 1/2 Taptite
15	3256-22	2	Washer-1/4 Sae
16	1-303335	1	Tie-Cable 7 15/16 (Large)

● Use dielectric grease on all unsealed connectors and terminals only. Do not apply in sealed connectors.

Notes:

EXMARK® MAINTENANCE

MAXIMIZE THE PERFORMANCE OF YOUR EXMARK.

4-CYCLE PREMIUM ENGINE OIL

Part No. 116-3373

Both SAE 30 and SAE 10W-30 in one bottle.

Contains increased levels of zinc and phosphorus for better lubricity.

No Viscosity Index Improvers that tend to shear down in high heat.

Synthetic formulation.

Gas & Diesel compatible.

Anti-corrosion additives.

API 'SL' and JASO rated with wet clutch compatibility for other machines.

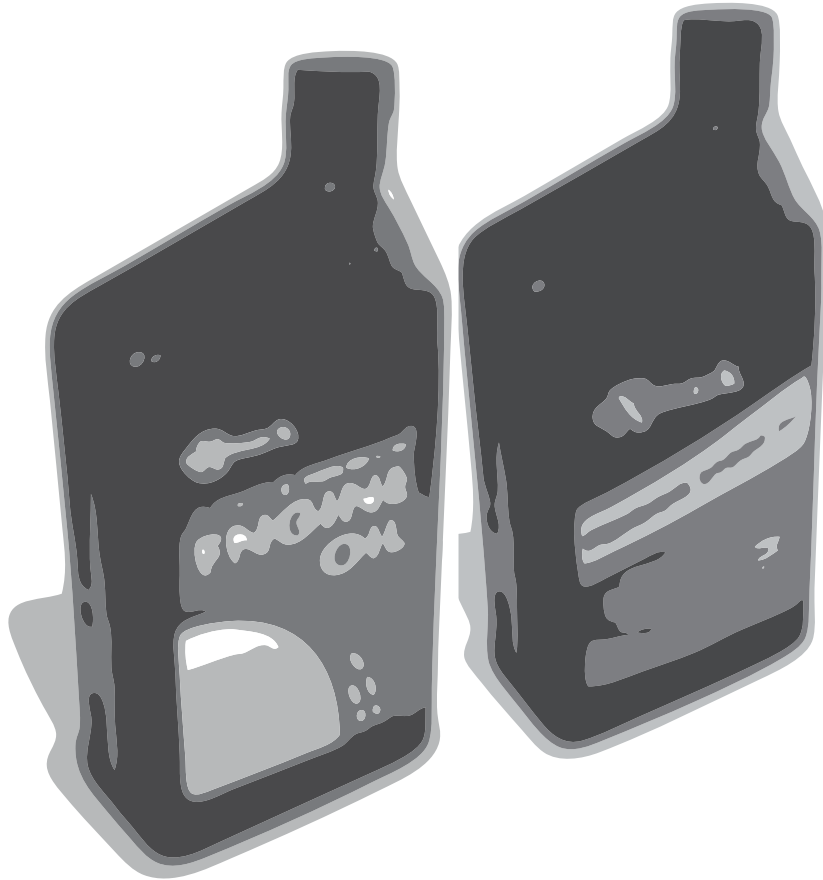
PREMIUM HYDRO OIL

Part No. 109-9828

Commercial quality for tough, high-heat conditions.

Designed specifically for zero-turn mower hydraulic systems.

Superior shear resistance under heavy loads.



Available from your local Exmark dealer. Find your closest dealer at exmark.com

EXMARK ACCESSORIES AND OPTIONS*

MID-MOUNT RIDING ACCESSORIES AND OPTIONS

CUSTOM RIDE SEAT SUSPENSION SYSTEM	OPERATOR CONTROLLED DISCHARGE
FULL SUSPENSION SEAT	SUN SHADE
DECK LIFT ASSIST KIT	TRASH CONTAINER
HITCH KIT	TURF STRIPER
LIGHT KIT	ULTRA VAC COLLECTION SYSTEM
12V POWER PORT	ULTRA VAC QUICK DISPOSAL SYSTEM
MICRO-MULCH SYSTEM	

OUT-FRONT RIDING ACCESSORIES AND OPTIONS

CUSTOM RIDE SEAT SUSPENSION SYSTEM	SNOW BLADE
DUAL-TAIL WHEEL	SNOWBLOWER
FLOOR PAN EXTENDER	SUN SHADE
HITCH KIT	TRASH CONTAINER
LIGHT KIT	ULTRA VAC COLLECTION SYSTEM
MICRO-MULCH SYSTEM	ULTRA VAC QUICK DISPOSAL SYSTEM
ROLL OVER PROTECTION SYSTEM (ROPS)	WEATHER CAB

WALK-BEHIND ACCESSORIES AND OPTIONS

GRASS CATCHER	TURF STRIPER
MICRO-MULCH SYSTEM	STANDON

*Some accessories and options not available for some models.

Place Model No. and Serial No.
Label Here (Included in the Literature
Pack) or Fill in Below

Model No. _____

Serial No. _____

Date Purchased _____

Engine Model No. and Spec. No. _____

Engine Serial No. (E/No) _____

© 2014 Exmark Mfg. Co., Inc.
Industrial Park Box 808
Beatrice, NE 68310
All Rights Reserved

Part No. 4501-881 Rev. A
(402) 223-6285
Fax (402) 223-5489
Printed in the USA.

