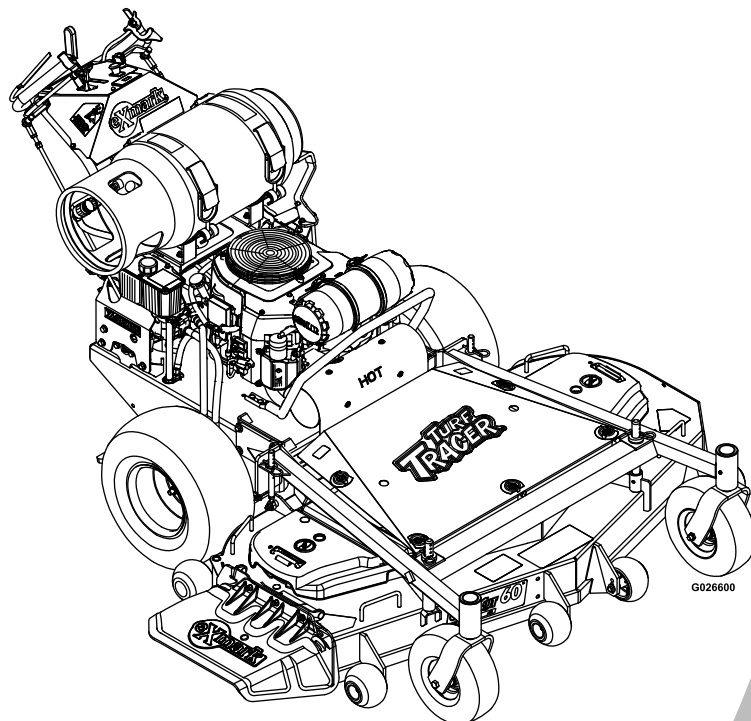




TURF TRACER® X-SERIES

Model No. TTX680PKC52400—Serial No. 31500000 and Up

Picture below may not reflect actual product.



Parts Manual

Part No. 4502-041 Rev. A

Ordering Replacement Parts

To order replacement parts, please supply the part number, the quantity, and the description of each part desired.

Understanding Reference Numbers

Each identified part in an illustration has a reference number. The reference number for a part also appears in the parts list, along with other information about the part.

This catalog uses two special reference number formats, one to indicate parts in a service assembly and another to indicate the quantity of a given part in an illustration.

Service Assembly Reference Numbers

Parts in service assemblies have reference numbers in the form a:b. The a represents the reference number of the entire service assembly and the b represents a sequential number unique to each part within the service assembly.

For example, a wheel assembly might be identified by reference number 6, the tire by 6:1, the valve by 6:2, and the wheel by 6:3. When you order the assembly identified by reference number 6, you receive all parts identified by reference numbers 6:1, 6:2, and 6:3. However, you may also order any part individually. Reference numbers of this type appear in illustration and in parts lists.

Reference Numbers Indicating Quantity

In an illustration, if a reference number indicates more than one part, the reference number has the form nX y. The n represents the quantity of the part, the X is the multiplication symbol, and the y represents the reference number.

For example, in an illustration, the reference number 2X 37 means that two of the parts identified by reference number 37 are indicated.

List of Abbreviations

AR: as required	HLH: hex lag head	PTH: phillips truss head
ASM: assembly	HOC: height-of-cut	PTO: power-take-off
BBC: blade brake control	HP: high pressure	RH: right hand
BHTF: button head thread forming	HSBH: hex socket button head	ROPS: roll-over protection system
CARR: carriage	HSFH: hex socket flat head	RRB: rear roller brush
CCW: counter clockwise	HSH: hex socket head	SFH: slotted fillister head
CW: clockwise	HWH: hex washer head	SHH: slotted hex head
DEG: degrees	HWHTF: hex washer head thread forming	SHWH: slotted hex washer head
DPA: Dual Point Adjustment	HYD: hydraulic	SPH: slotted pan head
ECM: electronic control module	LH: left hand	SQH: square head
EXT: external	LP: low pressure	SRH: slotted round head
FH: flat head	LPG: Liquefied Petroleum Gas	STD: standard
GA: gauge	NI: nylon insert	TAP: self tapping
HD: heavy-duty	NPTF: national pipe thread fine	TTH: torx truss head
HF: hex flange	PFH: phillips flat head	
HH: hex head	PPH: phillips pan head	
HHF: hex head flange	PPHTF: phillips pan head thread forming	
HHFTF: hex head flange thread forming	PRH: phillips round head	
HJ: hex jam		

Touch Up Paint

Exmark black touch up spray paint – gloss black.

Exmark red touch up paint (spray paint – P/N 1-850337 - .6 oz liquid bottle – P/N 103-9140).

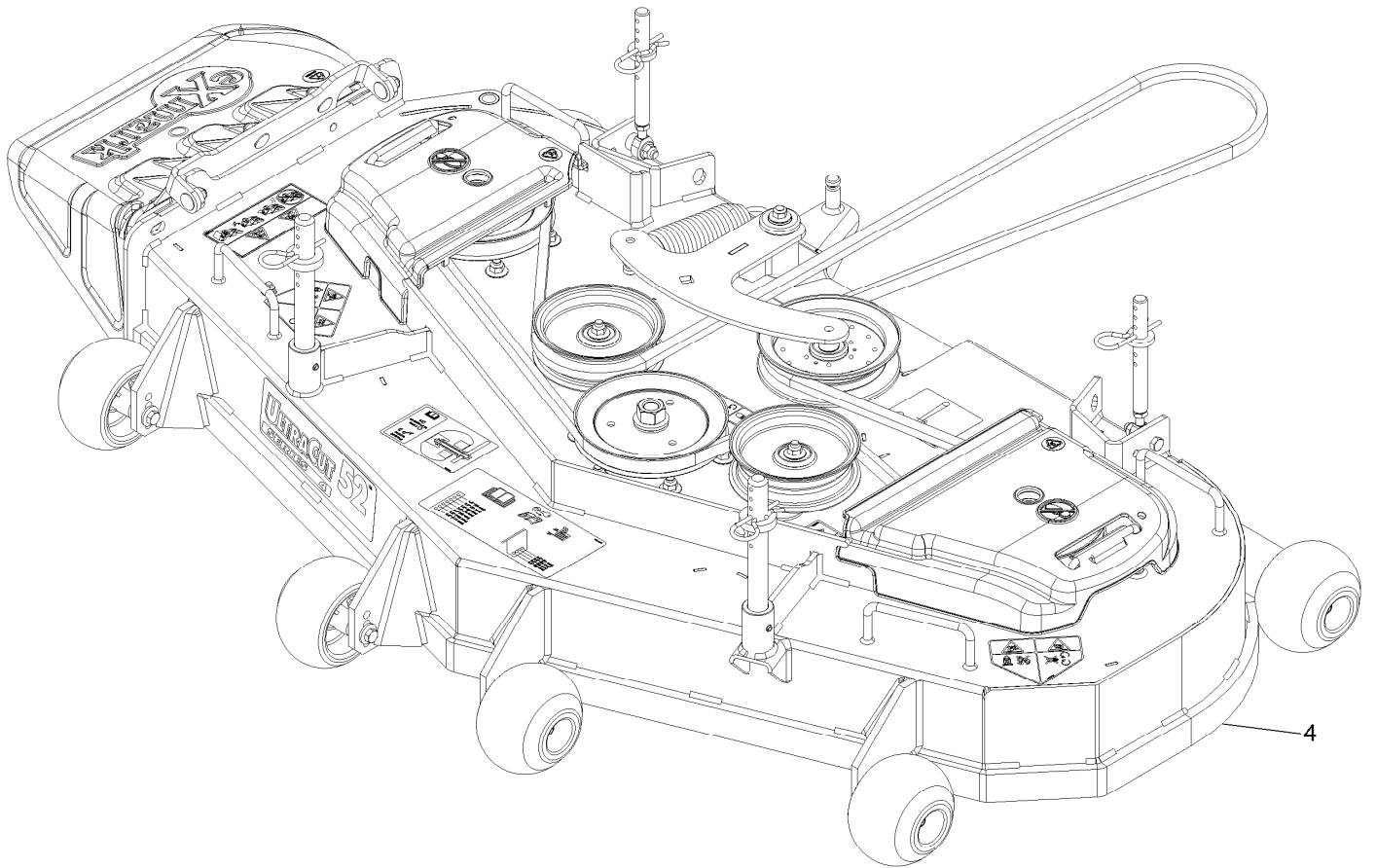


If your Exmark dealer does not have the Exmark part in stock, Exmark will get the parts to the dealer the next business day or the part will be FREE Guaranteed!! (Some restrictions apply. See your participating Exmark Dealer for details.)

Contents

Complete Deck Assembly.....	4
Deck Assembly.....	6
Deck W/Decals No. 116-2472.....	8
Deck Idler Assembly No. 126-2314.....	10
Frame Assembly.....	12
Front Frame Assembly No. 126-2540.....	14
ECS Upper Handle Controls Assembly.....	16
Controls Assembly.....	18
Engine Deck Assembly.....	20
Engine Assembly.....	22
LPG Fuel Assembly.....	24
Hydro Assembly.....	26
Electrical Assembly.....	28

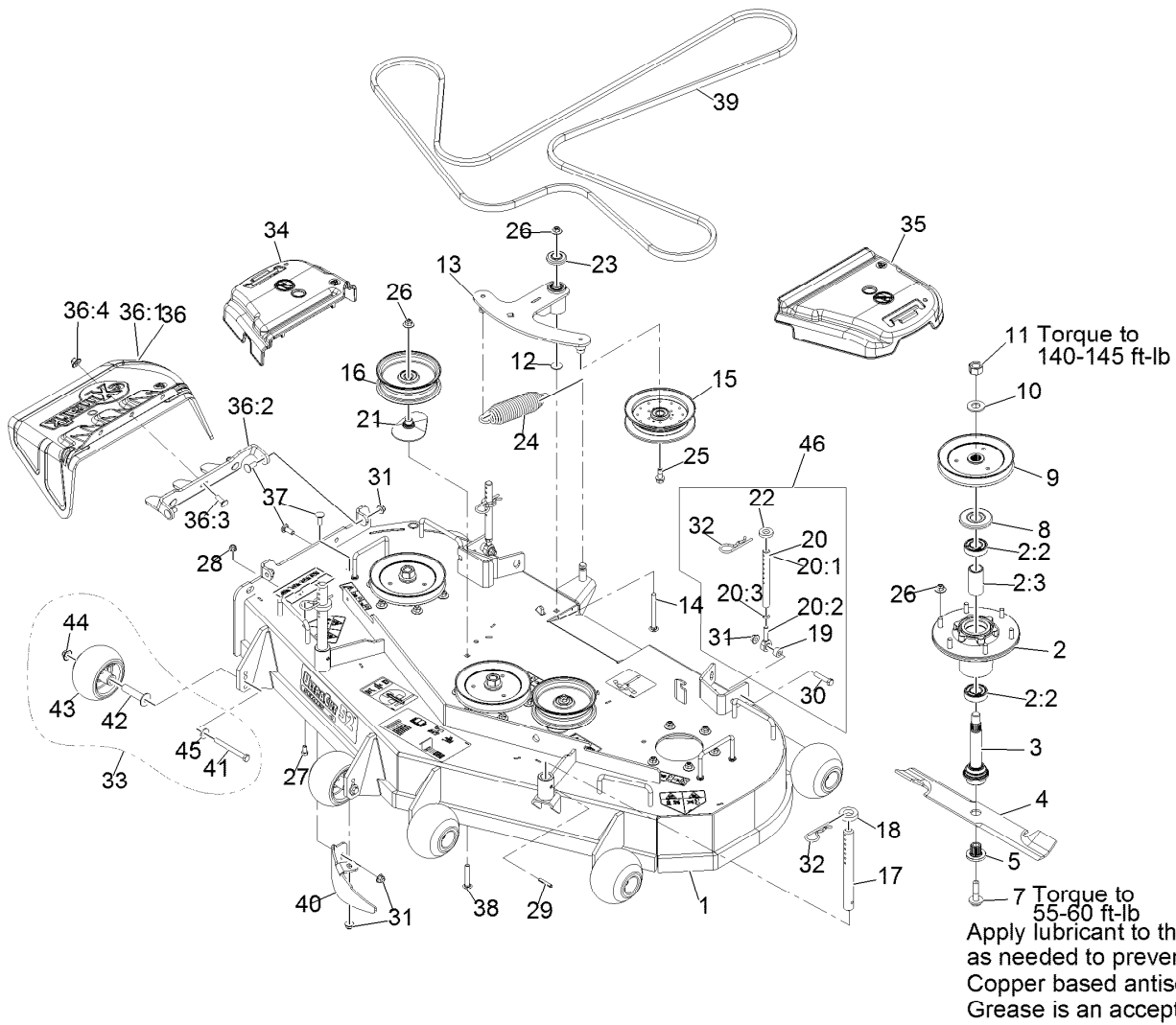
Complete Deck Assembly



Complete Deck Assembly (continued)

<i>Ref.</i>	<i>Part Number</i>	<i>Qty.</i>	<i>Description</i>
4	126-2536	1	ASM, Complete Deck, 52

Deck Assembly

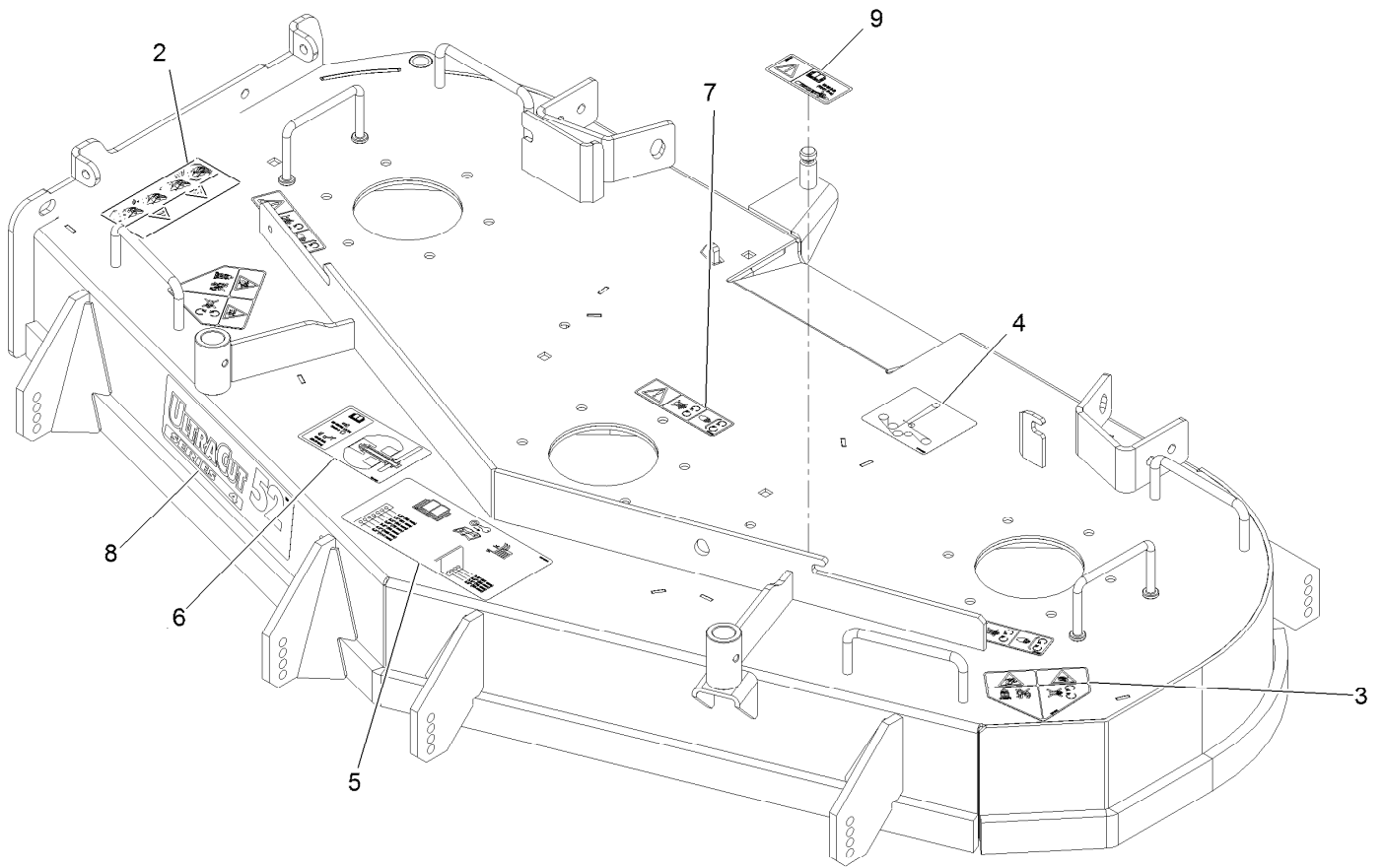


Deck Assembly (continued)

<i>Ref.</i>	<i>Part Number</i>	<i>Qty.</i>	<i>Description</i>	<i>Ref.</i>	<i>Part Number</i>	<i>Qty.</i>	<i>Description</i>
1	126-2472	1	ASM, Deck W/ Decals, 52"	22	1-323539	2	Spacer-Blade Drive
2	116-3344	3	ASM-Cutter Hsg With Bearings	23	103-2916	1	Guard-Top
2:2	116-0720	2	Bearing-Ball	24	116-6317	1	Spring-Extension
2:3	116-3312	1	Spacer-Bearing	25	126-1680	1	Screw-Hfh
3	116-3341	3	ASM-Spindle And Seal ●	26	109-6658	21	Nut-Nyloc 3/8-16 Flg
4	116-5175	3	Blade-Extreme 2, 18.00"	27	322-2	1	Screw-HH 5/16-18 X 5/8
4	103-6402	3	Blade-Notched	28	104-8300	1	Nut-Nyloc 5/16-18 Flg
4	103-6392	3	Blade, Mulching	29	1-806332	2	Rollpin 1/4 X 1 1/2
4	103-6387	3	Blade, Low Lift	30	323-9	2	Screw-HH 3/8-16 X 1 3/4
4	103-6382	3	Blade, Solid	31	104-8301	6	Nut-Nyloc 3/8-16 Flg
5	103-3037	3	Bushing, Splined	32	1-806009	4	Hairpin-Cotter #206
7	109-9220	3	Screw-Sems 1/2-20 X 2.19	33	116-9981	6	Kit, Anti-Scalp Roller
8	116-1286	3	Guard,Bearing Top .989	34	109-6935	1	Cover-Belt, RH
9	116-0675	3	Sheave,Blade Drive 6.50	35	109-6936	1	Cover-Belt, LH
10	103-2802	3	Washer-Spring Disc 3/4	36	109-7188	1	ASM,Discharge Chute
11	116-7306	3	Nut-Hex	36:1	109-2738	1	Chute, Discharge
12	3256-4	1	Washer-Flat	36:2	109-8675-01	1	Bracket,Discharge Chute
13	126-2314	1	ASM, Deck Idler	36:3	3231-22	3	Bolt-Carriage 3/8-16 X 1
14	3231-24	1	Screw-CARR	36:4	109-6658	3	Nut-Nyloc 3/8-16 Flg
15	116-4668	1	Idler-Pulley, Flanged	37	3231-22	4	Bolt-Carriage 3/8-16 X 1
16	116-4669	2	Pulley-Idler Flat	38	3231-40	2	Bolt-Carriage 3/8-16 X 2 1/4
17	1-603001	2	Rod, Deck Support	39	126-2538	1	Belt, Deck Drive
18	1-413425	2	Spacer-Deck Support	40	116-5814-01	1	Baffle-Dogleg, Lz-Vt52
19	1-603050	2	Spacer	41	116-9362	6	Screw-HH 3/8-16 X 3 3/4 Gr 8
20	1-414521	2	Link Assy	42	116-8131	6	Axle, Roller
20:1	1-413525	1	Link, Rear Deck Support	43	103-8415	6	Roller-Anti-Scalp
20:2	1-613204	1	Balljoint	44	109-6658	6	Nut-Nyloc 3/8-16 Flg
20:3	3220-3	1	Nut-Jam 3/8-24	45	98-5975	6	Washer-Spring Disc 3/8
21	109-2872	2	Spacer-Pulley	46	1-411532	2	Kit, Support Link W/Pin

● Apply Mobil HTS grease (P/N 103-5217 1.5 oz packet) (or a food-grade anti-seize). See operator s manual for locations.

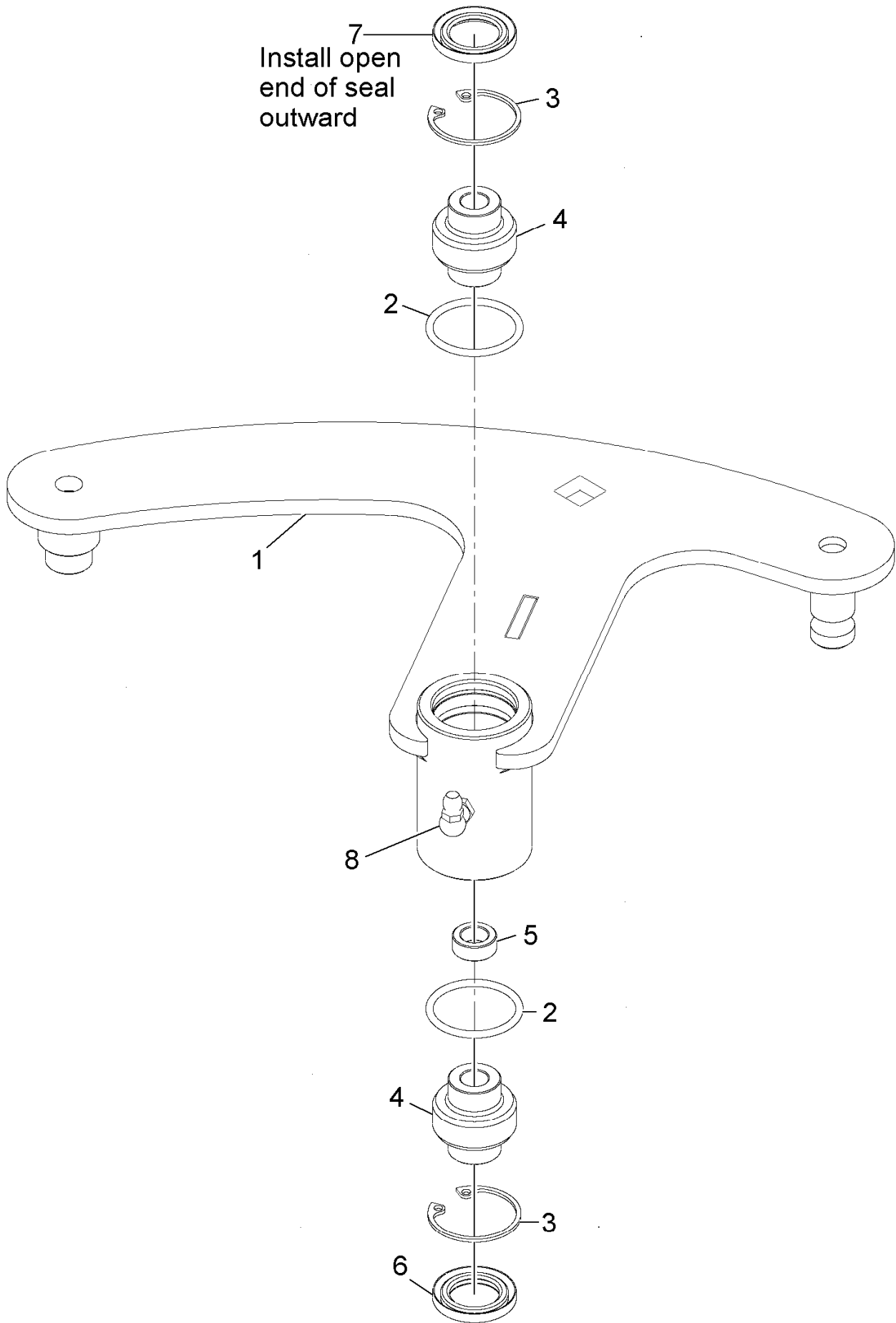
Deck W/Decals No. 116-2472



Deck W/Decals No. 116-2472 (continued)

<i>Ref.</i>	<i>Part Number</i>	<i>Qty.</i>	<i>Description</i>	<i>Ref.</i>	<i>Part Number</i>	<i>Qty.</i>	<i>Description</i>
2	114-3489	1	Decal-Warning, Bagger	6	126-0898	1	Decal-Roller Mounting
3	112-8760	2	Decal-Danger	7	112-9028	3	Decal-Cover Missing
4	116-8727	1	Decal-Belt Routing	8	116-0034	1	Decal,Ultracut 52 Series 4
5	116-8278	1	Decal-Anti-Scalp	9	116-8283	1	Decal-Bolt Torque

Deck Idler Assembly No. 126-2314

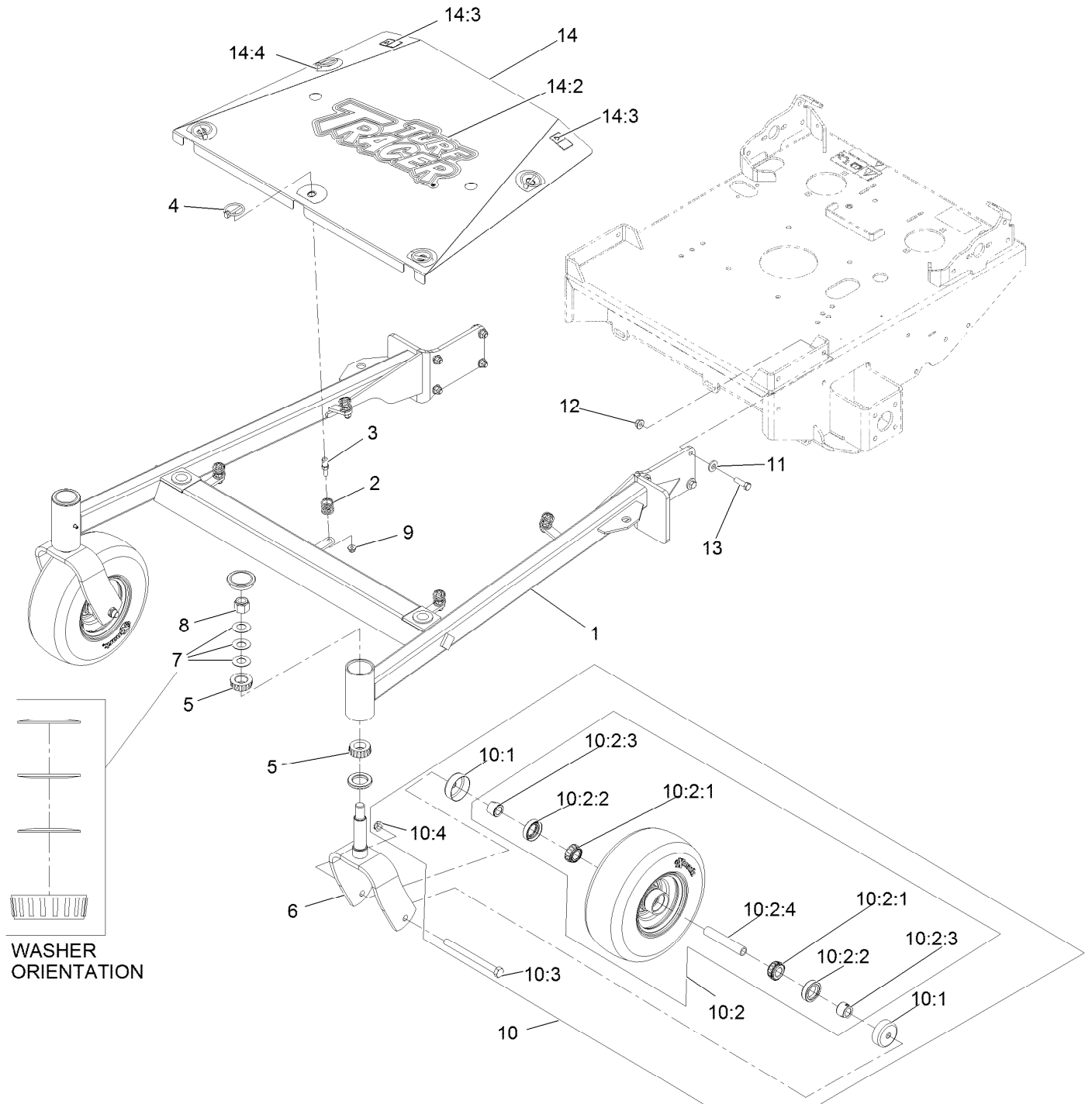


Deck Idler Assembly No. 126-2314 (continued)

<i>Ref.</i>	<i>Part Number</i>	<i>Qty.</i>	<i>Description</i>	<i>Ref.</i>	<i>Part Number</i>	<i>Qty.</i>	<i>Description</i>
1		1	Weld, Idler Arm ●	5	103-5677	1	Spacer
2	106-7159	2	O-Ring	6	103-3505	1	Seal-Double Lip
3	32120-10	2	Ring-Snap	7	103-3506	1	Seal-Lip, Single
4	103-3504	2	Bearing-Spherical	8	302-40	1	Fitting-Grease, 90 DEG

● Not serviced separately

Frame Assembly

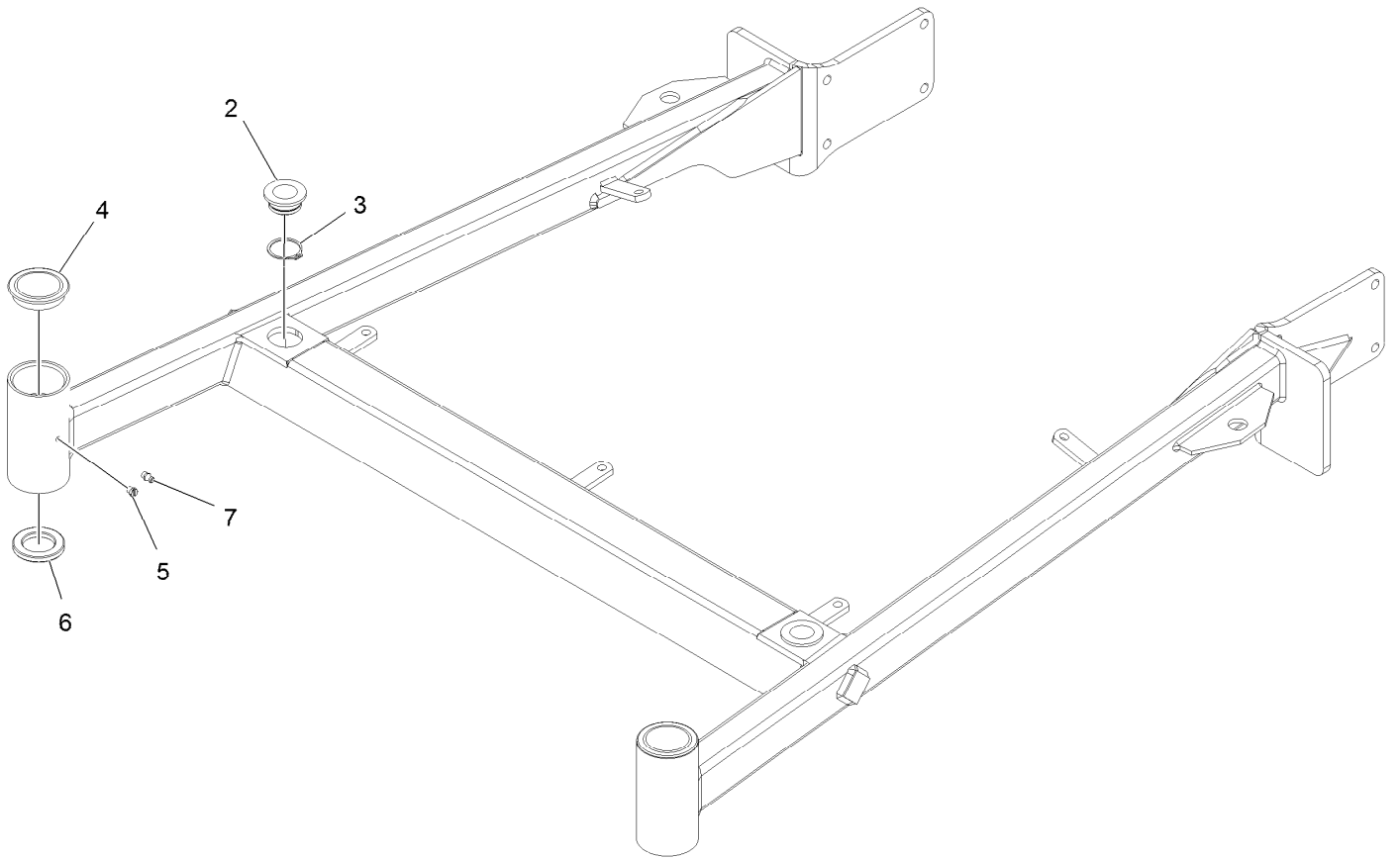


Frame Assembly (continued)

<i>Ref.</i>	<i>Part Number</i>	<i>Qty.</i>	<i>Description</i>	<i>Ref.</i>	<i>Part Number</i>	<i>Qty.</i>	<i>Description</i>
1	126-2540	1	ASM, Front Frame W/ Bearings, 52	10:2:1	1-633585	2	Bearing-Cone, Taper
2	126-1503	5	Spring	10:2:2	103-0063	2	Seal-Caster
3	126-1504	5	Pin, Spring	10:2:3	103-3051	2	Spacer-Nut
4	92-1298	5	Pin-Lynch	10:2:4	103-3157	1	Axle-Caster
5	1-543509	4	Cone-Bearing Tapered Roller	10:3	325-20	1	Screw-HH
6	103-1891-01	2	Wld, Caster Fork	10:4	3296-45	1	Nut-Lock, NI
7	1-633508	6	Washer-Spring Disc	11	98-5975	8	Washer-Spring Disc 3/8
8	3296-51	2	Nut-Nyloc 3/4-10	12	104-8301	8	Nut-Nyloc 3/8-16 Flg
9	104-8300	5	Nut-Nyloc 5/16-18 Flg	13	323-7	8	Screw-HH 3/8-16 X 1 1/4
10		2	ASM, Wheel&bearings ●	14	126-2544	1	ASM, Center Shield W/ Decals, 52
10:1	103-2768	2	Guard-Seal	14:2	103-3013	1	Decal, Turf Tracer
10:2		1	ASM, Wheel And Bearing ●	14:3	106-5517	2	Decal-Warning, Hot Surface
				14:4	126-1692	5	Decal-Scratch Cover

● Not serviced separately

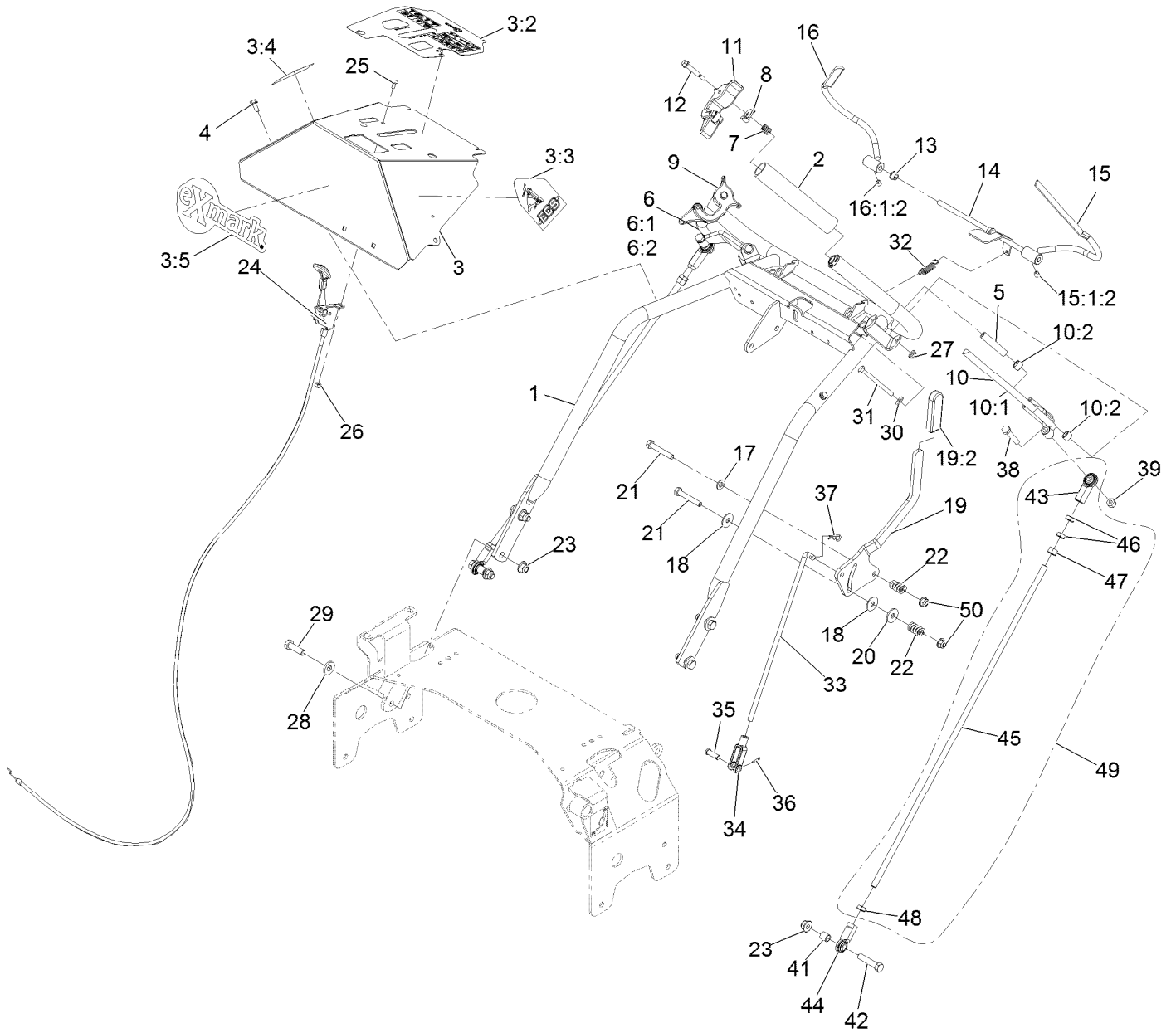
Front Frame Assembly No. 126-2540



Front Frame Assembly No. 126-2540 (continued)

<i>Ref.</i>	<i>Part Number</i>	<i>Qty.</i>	<i>Description</i>	<i>Ref.</i>	<i>Part Number</i>	<i>Qty.</i>	<i>Description</i>
2	1-513336	2	Bushing-Deck	5	1-811010	2	Plug
3	32120-33	2	Ring-Retaining	6	1-543511	2	Seal-Grease
4	103-4882	2	Cap-Grease	7	302-19	1	Zerk-1/4-28 Str

ECS Upper Handle Controls Assembly



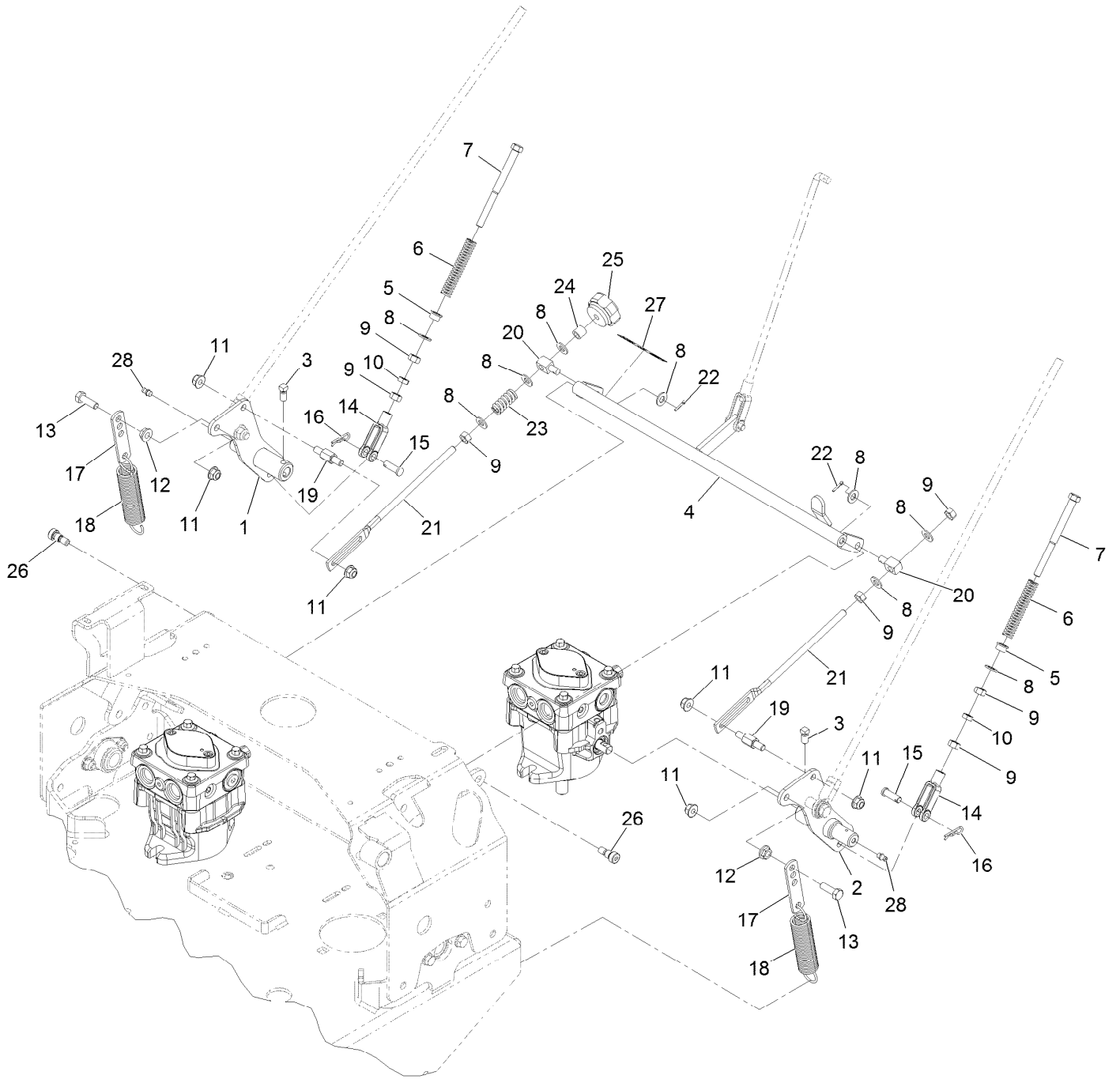
ECS Upper Handle Controls Assembly (continued)

<i>Ref.</i>	<i>Part Number</i>	<i>Qty.</i>	<i>Description</i>	<i>Ref.</i>	<i>Part Number</i>	<i>Qty.</i>	<i>Description</i>
1	126-2642-03	1	Weld, Handle	20	1-603716	1	Washer-Friction Disc
2	103-0815	2	Grip-Bar, Handle	21	322-11	2	Screw-HH
3	126-2820	1	ASM, Console W/ Decals	22	1-323245	2	Spring-Compression
3:2	126-3315	1	Decal-Console Ttx Efi	23	104-8301	6	Nut-Nyloc 3/8-16 Flg
3:3	103-2242	1	Decal, Ecs Instruction LH	24	109-3958	1	Control-Throttle
3:4	103-2243	1	Decal, Ecs Instruction RH	25	1-807513	2	Bolt-Carriage #10-24 X 1/2
3:5	103-2882	1	Decal, Exmark Logo	26	3296-2	2	Nut-Nyloc #10-24
4	32144-10	2	Screw-HWH 1/4-20 X .62	27	104-7201	2	Nut-Nyloc 1/4-20 Flg
5	103-0027	2	Bushing-Lever, Drive	28	98-5975	4	Washer-Spring Disc 3/8
6	103-2513	1	Asm, Drive Lever RH	29	323-7	4	Screw-HH 3/8-16 X 1 1/4
6:1	116-4082	1	Wld,RH Drive Lever	30	3256-22	2	Washer-1/4 Sae
6:2	1-413152	2	Bushing-Sleeve	31	321-14	2	Screw-HH 1/4-20 X 2 3/4
7	1-633349	2	Spring-Compression	32	1-303363	1	Spring-Extension
8	126-2921	2	Latch, Ecs	33	1-413225	1	Rod, Speed Control
9	103-1371	1	Thumb Latch Asm RH	34	1-303105	1	Yoke-Adjustable
10	103-2514	1	Asm, Drive Lever LH	35	1-808280	1	Pin-Clevis 5/16 X 1 49/64
10:1	116-4081	1	Wld,LH Drive Lever	36	3272-5	1	Pin-Cotter 3/32 X 1/2
10:2	1-413152	2	Bushing-Sleeve	37	1-806003	1	Hairpin-Cotter
11	103-1372	1	Thumb Latch Asm LH	38	322-9	2	Screw-HH 5/16-18 X 1 3/4
12	126-2931	2	Screw-Shoulder	39	3296-29	2	Nut-Nyloc 5/16-18
13	1-303365	2	Bushing-Nylon	41	103-1166	2	Spacer-Tube, Pump Link
14	103-0769-03	1	Rod Weldment, Opc	42	323-9	2	Screw-HH 3/8-16 X 1 3/4
15	116-4079	1	Wld,LH Opc Lever ■	43	103-2463	4	Balljoint
15:1:2	1-803322	1	Setscrew-5/16-24 X 5/16 ●	44	103-1167	2	Joint-Ball End
16	116-4080	1	Wld,RH Opc Lever ■	45	103-1148	2	Rod,Drive Lever
16:1:2	1-803322	1	Setscrew-5/16-24 X 5/16 ●	46	3220-3	4	Nut-Jam 3/8-24
17	3256-23	1	Washer-5/16 Sae	47	3219-3	2	Nut-Hex 3/8-24
18	1-323244	2	Washer-Friction	48	3220-16	2	Nut-Jam 3/8-24 LH
19	126-0148	1	Lever, Shift W/Grip	49	116-3414	2	Drive Link ASM
19:2	103-5994	1	Grip-Handle, Steering	50	104-8300	2	Nut-Nyloc 5/16-18 Flg

● Use Pro-Lock, Nut Type (P/N 1-840022, .5ml tube) on threads.

■ Use Pro-Lock retaining type, Part no. 1-840023 (.5cc tube) on inside of bore of OPC hub.

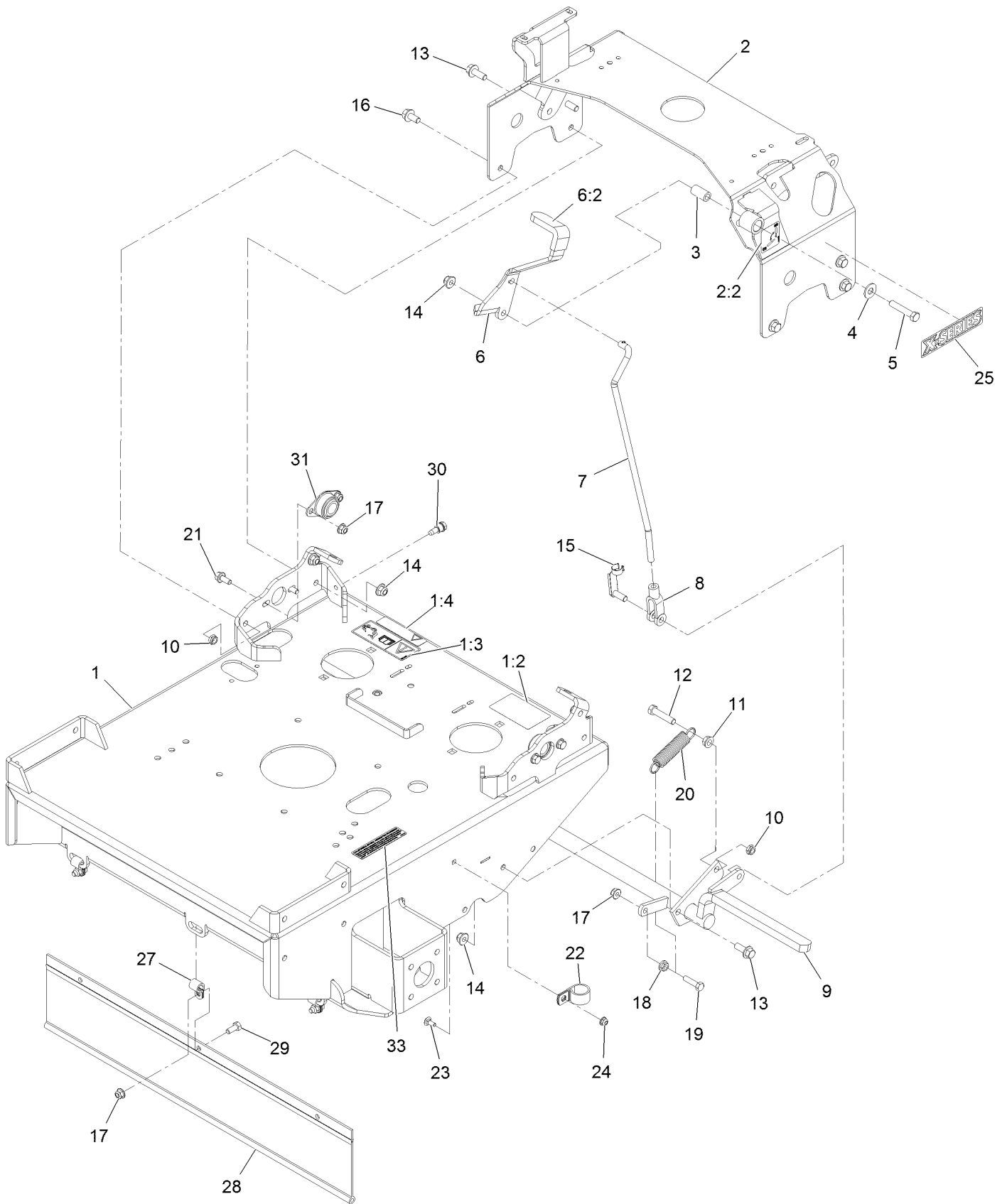
Controls Assembly



Controls Assembly (continued)

<i>Ref.</i>	<i>Part Number</i>	<i>Qty.</i>	<i>Description</i>	<i>Ref.</i>	<i>Part Number</i>	<i>Qty.</i>	<i>Description</i>
1	116-9975	1	Weld, Motion Control, Rt	15	1-808280	2	Pin-Clevis 5/16 X 1 49/64
2	116-9974	1	Weld, Motion Control, Lt	16	1-806003	2	Hairpin-Cotter
3	1-803022	2	Setscrew-5/16-18 X 5/8	17	1-613089	2	Tab-Spring, Extension
4	126-2982-01	1	Weld, Speed Control	18	1-603693	2	Spring
5	1-603735	2	Bushing-Flanged	19	126-0610	2	Pin, Motion Control
6	103-0265	2	Spring, Neutral Return	20	1-603676	2	Swivel-Adjustable, Short
7	1-603737	2	Bolt-Neutral Return	21	1-413350	2	Link-Control, Speed
8	3256-23	9	Washer-5/16 Sae	22	3272-5	2	Pin-Cotter 3/32 X 1/2
9	3219-2	7	Nut-Hex 5/16-24	23	1-323245	1	Spring-Compression
10	3220-2	2	Nut-Jam 5/16-24	24	1-603903	1	Spacer
11	104-8300	6	Nut-Nyloc 5/16-18 Flg	25	103-3060	1	Knob-Tracking
12	32128-20	2	Nut-Whizlock 5/16-18	26	1-809056	2	Screw-Sh 5/16-18 X 1 3/8
13	322-5	2	Screw-HH 5/16-18 X 1	27	116-7918	1	Decal-Tracking Adjustment
14	1-303105	2	Yoke-Adjustable	28	302-19	2	Zerk-1/4-28 Str

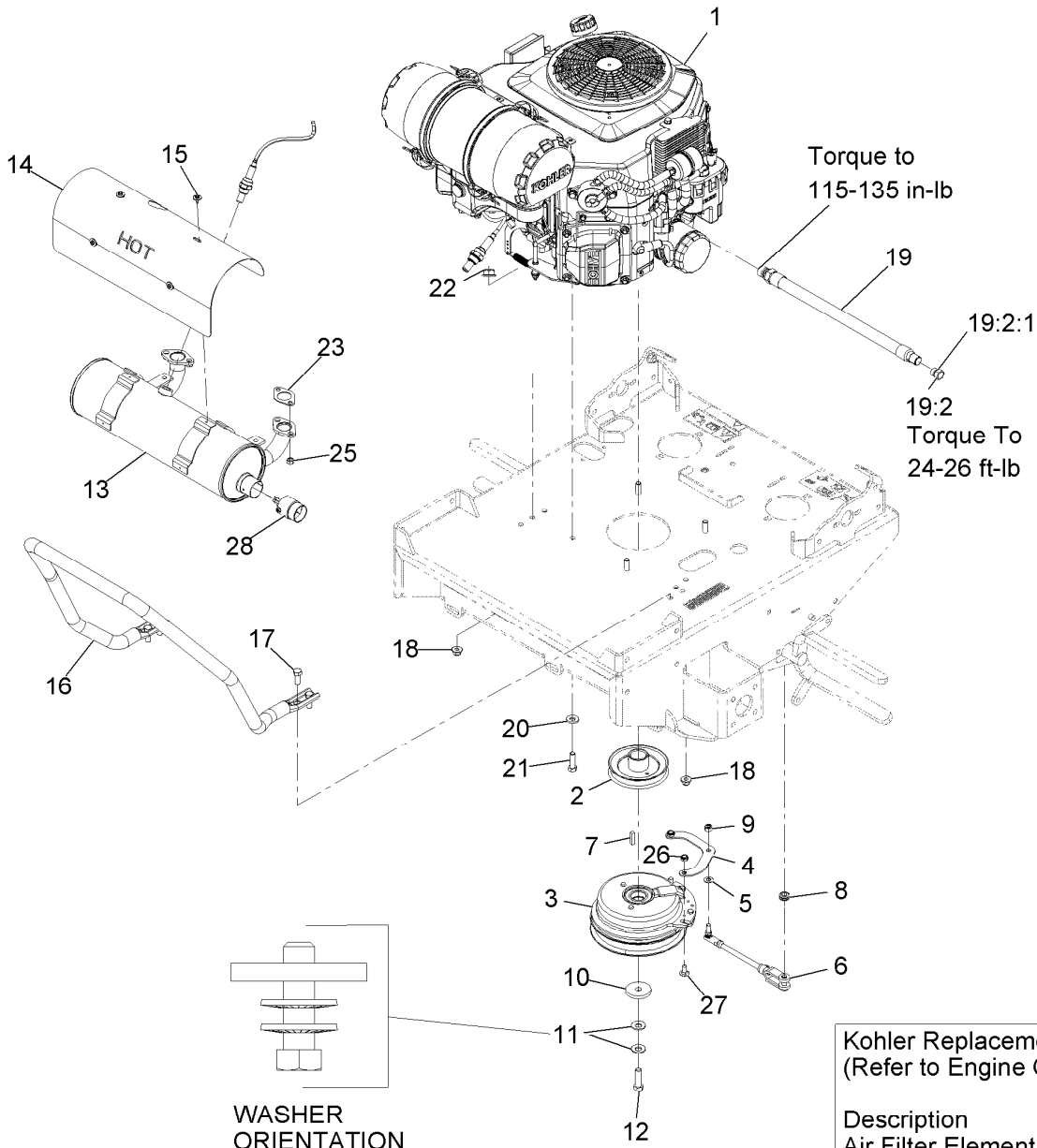
Engine Deck Assembly



Engine Deck Assembly (continued)

<i>Ref.</i>	<i>Part Number</i>	<i>Qty.</i>	<i>Description</i>	<i>Ref.</i>	<i>Part Number</i>	<i>Qty.</i>	<i>Description</i>
1	126-2521	1	ASM, Engine Deck W/ Decals	14	104-8301	8	Nut-Nyloc 3/8-16 Flg
1:2	98-1977	1	Decal-Warning	15	103-2399	1	Pin-Clevis Spring 3/8
1:3	126-1400	1	Decal-Warning, Sulky	16	3234-12	2	Screw-HH Flg 3/8-16 X 3/4
1:4	116-8253	1	Decal-Drive Release	17	104-8300	8	Nut-Nyloc 5/16-18 Flg
2	126-2181	1	ASM, Tank Support W/ Decal	18	32128-20	1	Nut-Whizlock 5/16-18
2:2	116-5988	1	Decal-Park Brake, Ce	19	322-6	1	Screw-HH 5/16-18 X 1 1/4
3	1-413344	1	Bushing-Pivot	20	1-323161	1	Spring
4	3256-4	1	Washer-3/8 Std	21	3234-47	4	Screw-HH Flg 5/16-18 X 3/4
5	323-10	1	Screw-HH 3/8-16 X 2	22	1-643312	1	Clip-Loom
6	126-2180	1	ASM, Brake Lever W/ Grip	23	3229-11	1	Bolt-Carriage 1/4-20 X 5/8
6:2	1-303020	1	Grip-Lever	24	104-7201	1	Nut-Nyloc 1/4-20 Flg
7	116-9960	1	Linkage-Brake	25	116-3883	2	Decal-X-Series
8	1-633131	1	Yoke-Linkage, Brake	27	1-413510	3	Clip-Loom
9	116-9159	1	Wld,Brake Ttx	28	103-2224	1	Shield, Drag
10	3296-59	3	Nut-Nyloc 3/8-16 Thin	29	322-3	3	Screw-HH 5/16-18 X 3/4
11	3290-357	1	Nut-Whizlock 3/8-16	30	115-1958	1	Bolt-Shoulder
12	323-9	1	Screw-HH 3/8-16 X 1 3/4	31	1-633102	2	Bearing-Flanged
13	3234-42	7	Screw HHF 3/8-16 X 1	33	117-2718	1	Decal-Arrester, Spark

Engine Assembly



Kohler Replacement Parts List
(Refer to Engine Owner's Manual)

Description	Kohler P/N
Air Filter Element Outer	2508301-S
Air Filter Element Inner	2508304-S

Engine Assembly (continued)

<i>Ref.</i>	<i>Part Number</i>	<i>Qty.</i>	<i>Description</i>	<i>Ref.</i>	<i>Part Number</i>	<i>Qty.</i>	<i>Description</i>
1		1	Engine, Kohler Pcv680 ●■	16	116-8575-03	1	Guard,Air Cleaner
2	126-2605	1	Sheave W/ Hub	17	323-6	4	Screw-HH 3/8-16 X 1
3	126-2601	1	Clutch, 200 Ft/Lbs, 1.13	18	104-8301	4	Nut-Nyloc 3/8-16 Flg
4	126-2602	1	Strap, Clutch	19	116-5316	1	Oil Drain Hose ASM ▲
5	3256-23	1	Washer-5/16 Sae	19:2	353-508	1	Plug-W/O-Ring
6	126-0620	1	ASM, Clutch Anchor	19:2:1	237-42	1	O-Ring
7	1-807259	1	Key-Machine 1/4 X 1/4 X 1 □	20	1-303334	4	Washer-Spring Disc 5/16
8	237-136	1	Grommet	21	322-7	4	Screw-HH 5/16-18 X 1 1/2
9	3296-4	1	Nut-Lock 5/16-24	22	104-8300	4	Nut-Nyloc 5/16-18 Flg
10	109-6919	1	Washer-Clutch	23	110-6697	2	Gasket-Exhaust
11	1-603610	2	Washer-Spring Disc 7/16	25	114-3549	4	Nut-M8
12	87-2080	1	Bolt-Hex, TAP ◆	26	3296-47	2	Nut-Nyloc 5/16-18 Thin
13	116-8653	1	Muffler-Ttx, Efi	27	3230-18	2	Bolt-Carriage 5/16-18 X 5/8
14	116-8654	1	Shield-Muffler,Ttx Efi	28	116-0433	1	Arrestor,Spark 1.375 Dia
15	116-1103	4	Screw-HH, Thread Forming				

● Not serviced separately

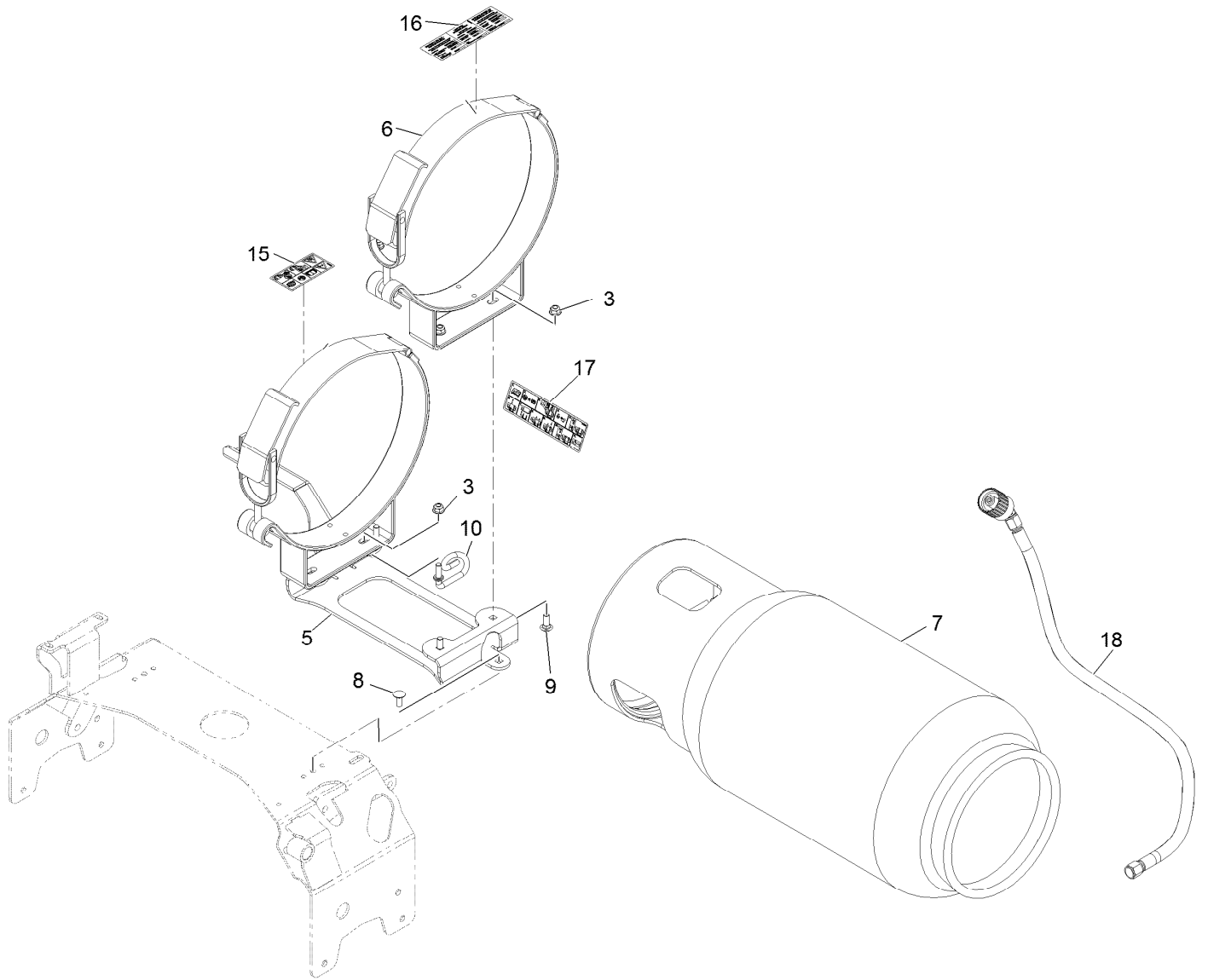
■ Obtain parts from www.kawpowerepc.com

▲ Use a Teflon Pipe Sealant or equivalent on threads.

◆ Use Pro-Lock, Nut Type (P/N 1-840022, .5ml tube) on threads.

□ Apply anti-seize compound to engine crankshaft, pulley hub I.D., clutch bore I.D. and square key.

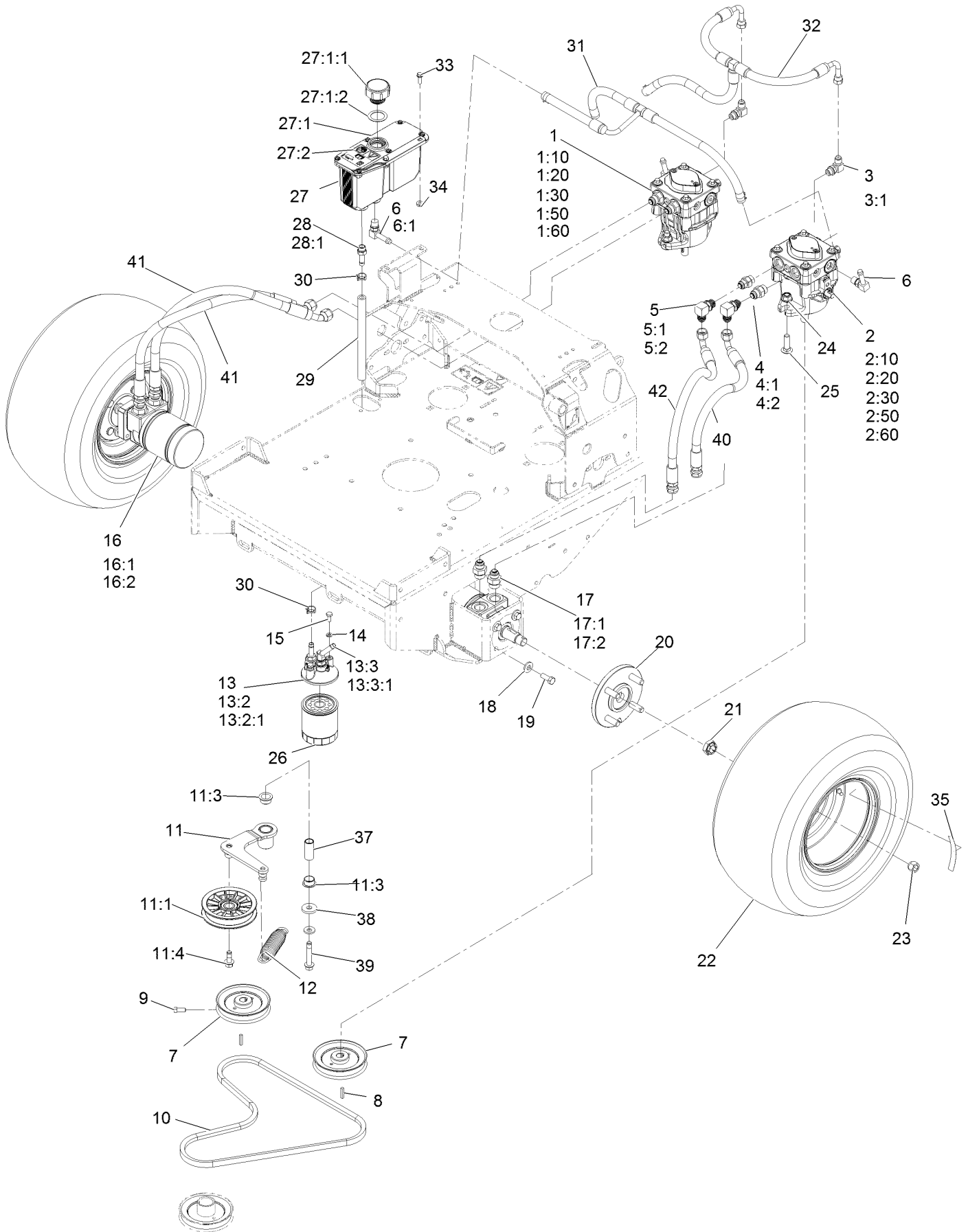
LPG Fuel Assembly



LPG Fuel Assembly (continued)

<i>Ref.</i>	<i>Part Number</i>	<i>Qty.</i>	<i>Description</i>	<i>Ref.</i>	<i>Part Number</i>	<i>Qty.</i>	<i>Description</i>
3	104-8300	4	Nut-Nyloc 5/16-18 Flg	9	3230-16	3	Bolt-Carriage 5/16-18 X 7/8
5	126-1491-03	1	Weld, Tank Mount	10	126-1921	1	Retainer, LP Hose
6	116-1074	2	Brackets, LPG Tank - Horizontal (Pair)	15	126-3275	1	Decal-LPG Warning
7	126-4506	1	Tank, LP - 33.5 Lb.Horizontal-Al	16	126-3276	1	Decal-LPG Horiz Tank Spec
8	3230-23	2	Bolt-Carriage 5/16-18 X 3/4 Short Neck	17	126-3277	1	Decal-LPG Fuel Tank Replacement
				18	126-2144	1	ASM, Hose-LPG

Hydro Assembly



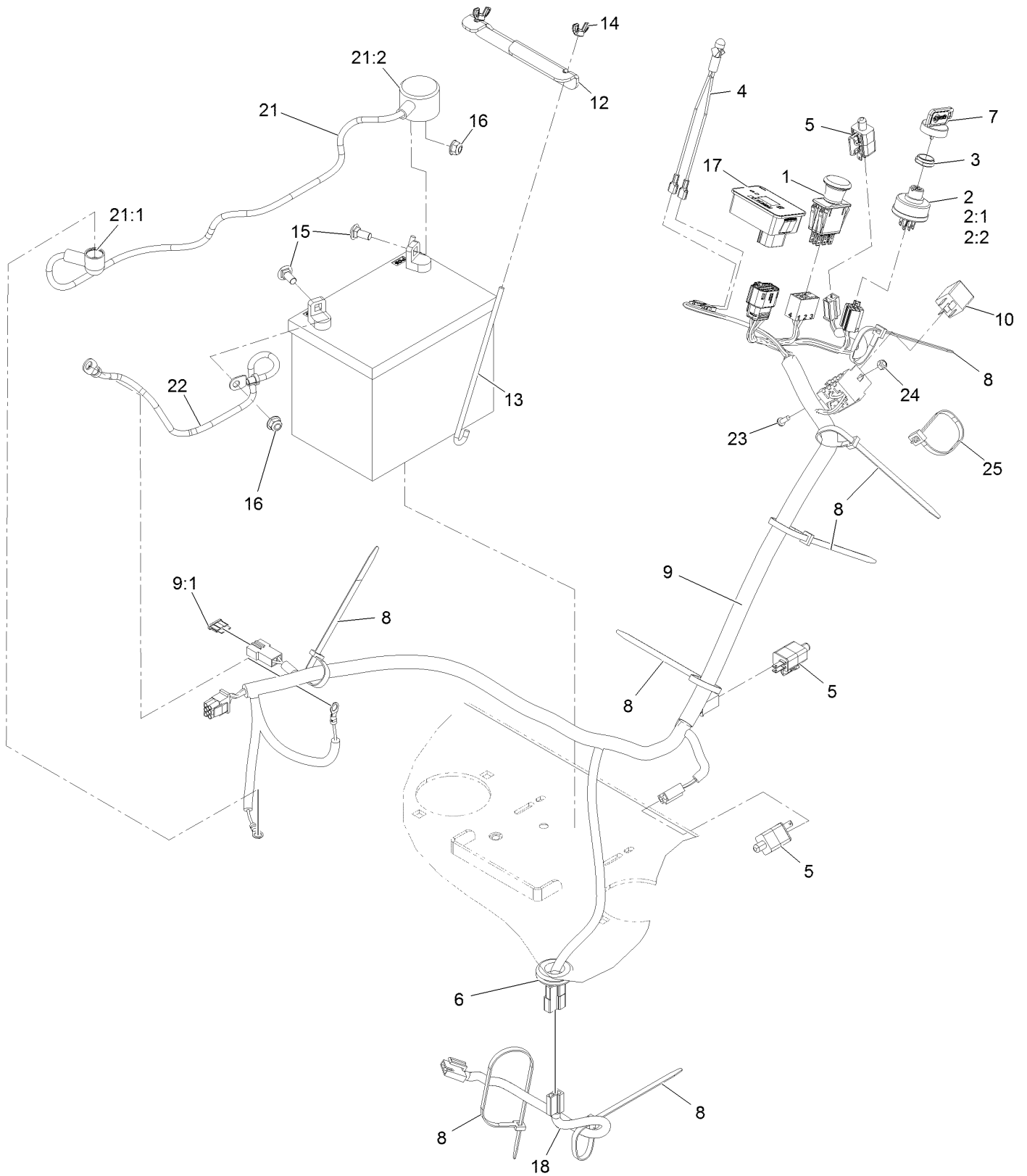
Hydro Assembly (continued)

<i>Ref.</i>	<i>Part Number</i>	<i>Qty.</i>	<i>Description</i>	<i>Ref.</i>	<i>Part Number</i>	<i>Qty.</i>	<i>Description</i>
1	116-2495	1	Pump-HYD Pe RH TTH	15	321-3	2	Screw-HH 1/4-20 X 5/8
1:10	103-2664	1	Input Shaft Kit	16	1-603718	2	HYD Motor ASM
1:20	94-6922	1	Bearing-Thrust	16:1	1-000119	1	Seal Kit
1:30	103-2666	1	Cylinder Block Kit	16:2	1-000138	1	Bearing And Seal Kit
1:50	105-6184	1	Seal Overhaul Kit	17	1-603991	4	Adapter-Straight
1:60	126-2479	1	Kit, 10Cc Pump Kit	17:1	237-80	1	O-Ring
2	116-2494	1	Pump-HYD Pe LH TTH	17:2	1-603992	1	O-Ring-37 Flare #8
2:10	103-2664	1	Input Shaft Kit	18	98-5975	9	Washer-Spring Disc 3/8
2:20	94-6922	1	Bearing-Thrust	19	323-6	8	Screw-HH 3/8-16 X 1
2:30	103-2666	1	Cylinder Block Kit	20	112-9049	2	Wheel Hub ASM
2:50	105-6184	1	Seal Overhaul Kit	21	116-2839	2	Nut-Lock
2:60	126-2479	1	Kit, 10Cc Pump Kit	22	103-1715	2	Tire And Wheel Assy
3	103-1802	2	Fitting-HYD, 90 DEG	23	242-50	8	Nut-Lug 1/2-20
3:1	1-603921	1	O-Ring-Sae #6	24	114-8417	4	Nut-HF, NI
4	1-603990	2	Adapter-Straight	25	3232-3	4	Bolt-Carriage 7/16-14 X 1 1/2
4:1	1-603920	1	O-Ring-Sae #8	26	109-4180	1	Element, Oil Filter
4:2	1-603992	1	O-Ring-37 Flare #8	27	126-1248	1	ASM, HYD Reservoir ■
5	103-2153	2	Elbow-90°	27:1		1	Reservoir-HYD ●
5:1	1-603920	1	O-Ring-Sae #8	27:1:1	103-1948	1	Cap-Reservoir, HYD
5:2	1-603992	1	O-Ring-37 Flare #8	27:1:2	103-1949	1	Gasket-Cap
6	100-4887	3	Fitting-Barbed, 90 DEG	27:2	115-4212	1	Decal-Warning
6:1	237-42	1	O-Ring	28	103-1912	1	Adapter-Straight
7	1-413010	2	Sheave ASM	28:1	237-42	1	O-Ring
8	1-807272	2	Key-5Mm X 5Mm X 25Mm	29	109-1010	1	Hose, Hydraulic
9	120-6474	4	Screw-Set, SQH 5/16-18 X 3/4	30	103-1988	6	Clamp-Hose 11/16
10	103-4761	1	Belt	31	126-2550	1	Hose, Case
11	126-2531	1	ASM, Pump Idler	32	126-2555	1	Hose, Charge
11:1	109-4077	1	Pulley-Idler, Flat	33	32105-15	2	Screw-Machine 1/4-20 X 3/4
11:3	109-8054	2	Bushing-Flanged	34	32128-33	2	Nut-Whizlock 1/4-20
11:4	126-1680	1	Screw-Hfh	35	126-2056	2	Decal-Torque Wheel Lug-Hub
12	116-6316	1	Spring-Extension	37	126-2954	1	Pivot, Idler
13	126-0621	1	ASM, Filter Head	38	1-373034	1	Washer
13:2	103-1912	1	Adapter-Straight	39	126-2956	1	Screw-HHF W/ Patch
13:2:1	237-42	1	O-Ring	40	126-3311	1	ASM, HP Hose
13:3	103-1807	1	Fitting-Barbed, 45 DEG	41	116-8646	2	Hose,Hydraulic W/Cover
13:3:1	237-42	1	O-Ring	42	119-7827	1	HYD Hose ASM
14	1-805004	2	Washer-Lock 1/4 Heavy				

● Not serviced separately

■ Use Exmark Premium Hydro Oil P/N 109-9828 (32oz)

Electrical Assembly



Electrical Assembly (continued)

<i>Ref.</i>	<i>Part Number</i>	<i>Qty.</i>	<i>Description</i>	<i>Ref.</i>	<i>Part Number</i>	<i>Qty.</i>	<i>Description</i>
1	103-5221	1	Switch-PTO	13	1-633651	2	Bolt-Holddown
2	103-0206	1	Switch-Ignition W/Keys	14	1-543792	2	Wingnut-Nyloc 1/4-20
2:1	3254-5	1	Washer-Tooth, Internal	15	3230-1	2	Bolt-Carriage 5/16-18 X 3/4
2:2	218-461	1	Nut-HH	16	104-8300	2	Nut-Nyloc 5/16-18 Flg
3	103-0498	1	Nut-Ignition	17	116-8893	1	Module-Hour Meter
4	1-643267	1	Indicator-Red Led	18	126-0624	1	Harness-Clutch Pigtail
5	110-6765	3	Switch	21	109-7621	1	Positive Battery Cable ASM
6	1-543286	1	Grommet	21:1	1-543393	1	Insulator-Solenoid
7	103-2106	1	Key-Exmark Logo	21:2	109-2407	1	Insulator-Battery
8	1-303335	7	Tie-Cable 7 15/16 (Large)	22	1-413540	1	Cable-Battery, Negative ●
9	126-3011	1	Harness-Main Ttx Kohler Efi ■	23	1-803071	1	Screw-Machine #10-24 X 1/2
9:1	1-816001	1	Fuse-Blade Type, 20 Amp	24	3296-2	1	Nut-Nyloc #10-24
10	1-643275	1	Relay-12Vdc 40 Amp	25	1-643115	1	Tie-Cable 11.4
12	126-0008	1	Bracket, Battery Hold Down				

● Not illustrated

■ Use dielectric grease on all unsealed connectors and terminals only. Do not apply in sealed connectors.

Notes:

EXMARK® MAINTENANCE

MAXIMIZE THE PERFORMANCE OF YOUR EXMARK.

4-CYCLE PREMIUM ENGINE OIL

Part No. 116-3373

Both SAE 30 and SAE 10W-30 in one bottle.

Contains increased levels of zinc and phosphorus for better lubricity.

No Viscosity Index Improvers that tend to shear down in high heat.

Synthetic formulation.

Gas & Diesel compatible.

Anti-corrosion additives.

API 'SL' and JASO rated with wet clutch compatibility for other machines.

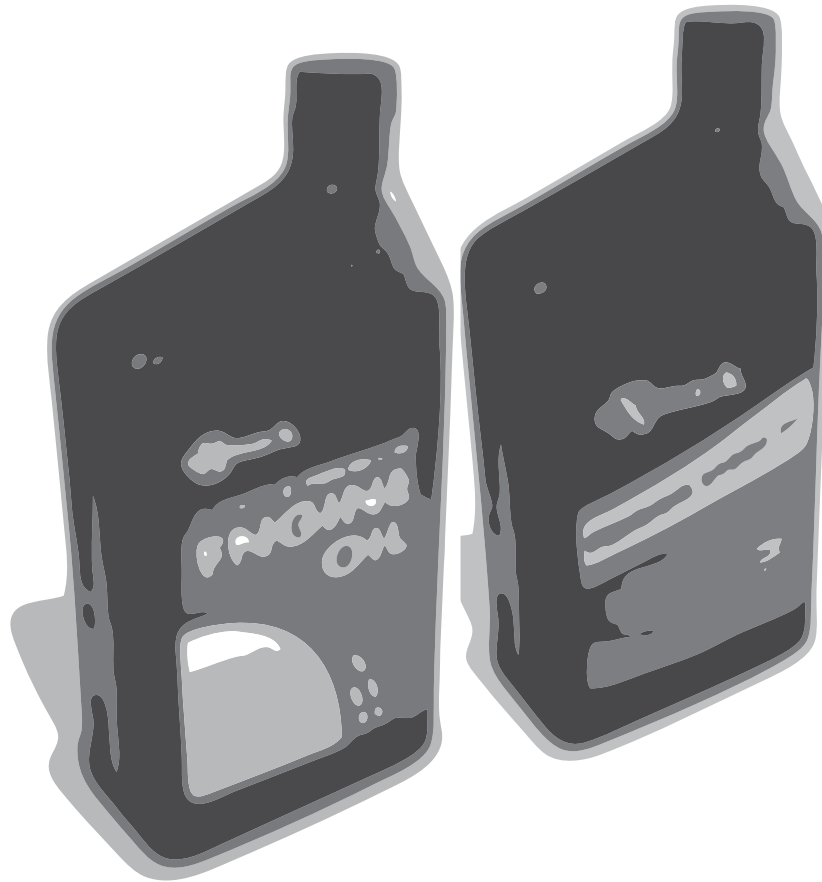
PREMIUM HYDRO OIL

Part No. 109-9828

Commercial quality for tough, high-heat conditions.

Designed specifically for zero-turn mower hydraulic systems.

Superior shear resistance under heavy loads.



Available from your local Exmark dealer. Find your closest dealer at exmark.com

EXMARK ACCESSORIES AND OPTIONS*

MID-MOUNT RIDING ACCESSORIES AND OPTIONS

CUSTOM RIDE SEAT SUSPENSION SYSTEM	OPERATOR CONTROLLED DISCHARGE
FULL SUSPENSION SEAT	SUN SHADE
DECK LIFT ASSIST KIT	TRASH CONTAINER
HITCH KIT	TURF STRIPER
LIGHT KIT	ULTRA VAC COLLECTION SYSTEM
12V POWER PORT	ULTRA VAC QUICK DISPOSAL SYSTEM
MICRO-MULCH SYSTEM	

OUT-FRONT RIDING ACCESSORIES AND OPTIONS

CUSTOM RIDE SEAT SUSPENSION SYSTEM	SNOW BLADE
DUAL-TAIL WHEEL	SNOWBLOWER
FLOOR PAN EXTENDER	SUN SHADE
HITCH KIT	TRASH CONTAINER
LIGHT KIT	ULTRA VAC COLLECTION SYSTEM
MICRO-MULCH SYSTEM	ULTRA VAC QUICK DISPOSAL SYSTEM
ROLL OVER PROTECTION SYSTEM (ROPS)	WEATHER CAB

WALK-BEHIND ACCESSORIES AND OPTIONS

GRASS CATCHER	TURF STRIPER
MICRO-MULCH SYSTEM	STANDON

*Some accessories and options not available for some models.

Place Model No. and Serial No.
Label Here (Included in the Literature
Pack) or Fill in Below

Model No. _____

Serial No. _____

Date Purchased _____

Engine Model No. and Spec. No. _____

Engine Serial No. (E/No) _____

© 2014 Exmark Mfg. Co., Inc.
Industrial Park Box 808
Beatrice, NE 68310
All Rights Reserved

Part No. 4502-041 Rev. A
(402) 223-6300
Fax (402) 223-5489
Printed in the USA.

