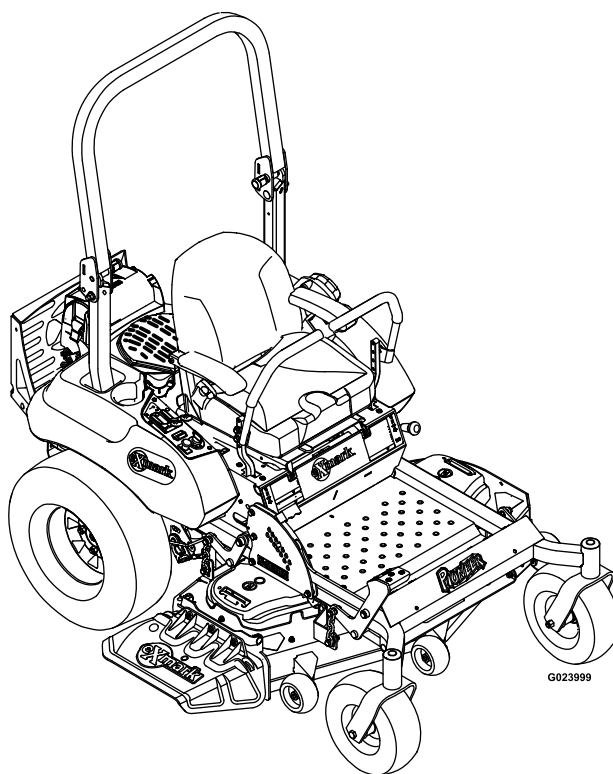




# PIONEER® S-SERIES

Model No. PNS730GKA604A3—Serial No. 31500000 and Up

Picture below may not reflect actual product.



# Parts Manual

# Ordering Replacement Parts

To order replacement parts, please supply the part number, the quantity, and the description of each part desired.

## Understanding Reference Numbers

Each identified part in an illustration has a reference number. The reference number for a part also appears in the parts list, along with other information about the part.

This catalog uses two special reference number formats, one to indicate parts in a service assembly and another to indicate the quantity of a given part in an illustration.

## Service Assembly Reference Numbers

Parts in service assemblies have reference numbers in the form a:b. The a represents the reference number of the entire service assembly and the b represents a sequential number unique to each part within the service assembly.

For example, a wheel assembly might be identified by reference number 6, the tire by 6:1, the valve by 6:2, and the wheel by 6:3. When you order the assembly identified by reference number 6, you receive all parts identified by reference numbers 6:1, 6:2, and 6:3. However, you may also order any part individually. Reference numbers of this type appear in illustration and in parts lists.

## Reference Numbers Indicating Quantity

In an illustration, if a reference number indicates more than one part, the reference number has the form nX y. The n represents the quantity of the part, the X is the multiplication symbol, and the y represents the reference number.

For example, in an illustration, the reference number 2X 37 means that two of the parts identified by reference number 37 are indicated.

# List of Abbreviations

<b>AR:</b> as required	<b>HLH:</b> hex lag head	<b>PTH:</b> phillips truss head
<b>ASM:</b> assembly	<b>HOC:</b> height-of-cut	<b>PTO:</b> power-take-off
<b>BBC:</b> blade brake control	<b>HP:</b> high pressure	<b>RH:</b> right hand
<b>BHTF:</b> button head thread forming	<b>HSBH:</b> hex socket button head	<b>ROPS:</b> roll-over protection system
<b>CARR:</b> carriage	<b>HSFH:</b> hex socket flat head	<b>RRB:</b> rear roller brush
<b>CCW:</b> counter clockwise	<b>HSH:</b> hex socket head	<b>SFH:</b> slotted fillister head
<b>CW:</b> clockwise	<b>HWH:</b> hex washer head	<b>SHH:</b> slotted hex head
<b>DEG:</b> degrees	<b>HWHTF:</b> hex washer head thread forming	<b>SHWH:</b> slotted hex washer head
<b>DPA:</b> Dual Point Adjustment	<b>HYD:</b> hydraulic	<b>SPH:</b> slotted pan head
<b>ECM:</b> electronic control module	<b>LH:</b> left hand	<b>SQH:</b> square head
<b>EXT:</b> external	<b>LP:</b> low pressure	<b>SRH:</b> slotted round head
<b>FH:</b> flat head	<b>LPG:</b> Liquefied Petroleum Gas	<b>STD:</b> standard
<b>GA:</b> gauge	<b>NI:</b> nylon insert	<b>TAP:</b> self tapping
<b>HD:</b> heavy-duty	<b>NPTF:</b> national pipe thread fine	<b>TTH:</b> torx truss head
<b>HF:</b> hex flange	<b>PFH:</b> phillips flat head	
<b>HH:</b> hex head	<b>PPH:</b> phillips pan head	
<b>HHF:</b> hex head flange	<b>PPHTF:</b> phillips pan head thread forming	
<b>HHFTF:</b> hex head flange thread forming	<b>PRH:</b> phillips round head	
<b>HJ:</b> hex jam		

# Touch Up Paint

Exmark black touch up spray paint – gloss black.

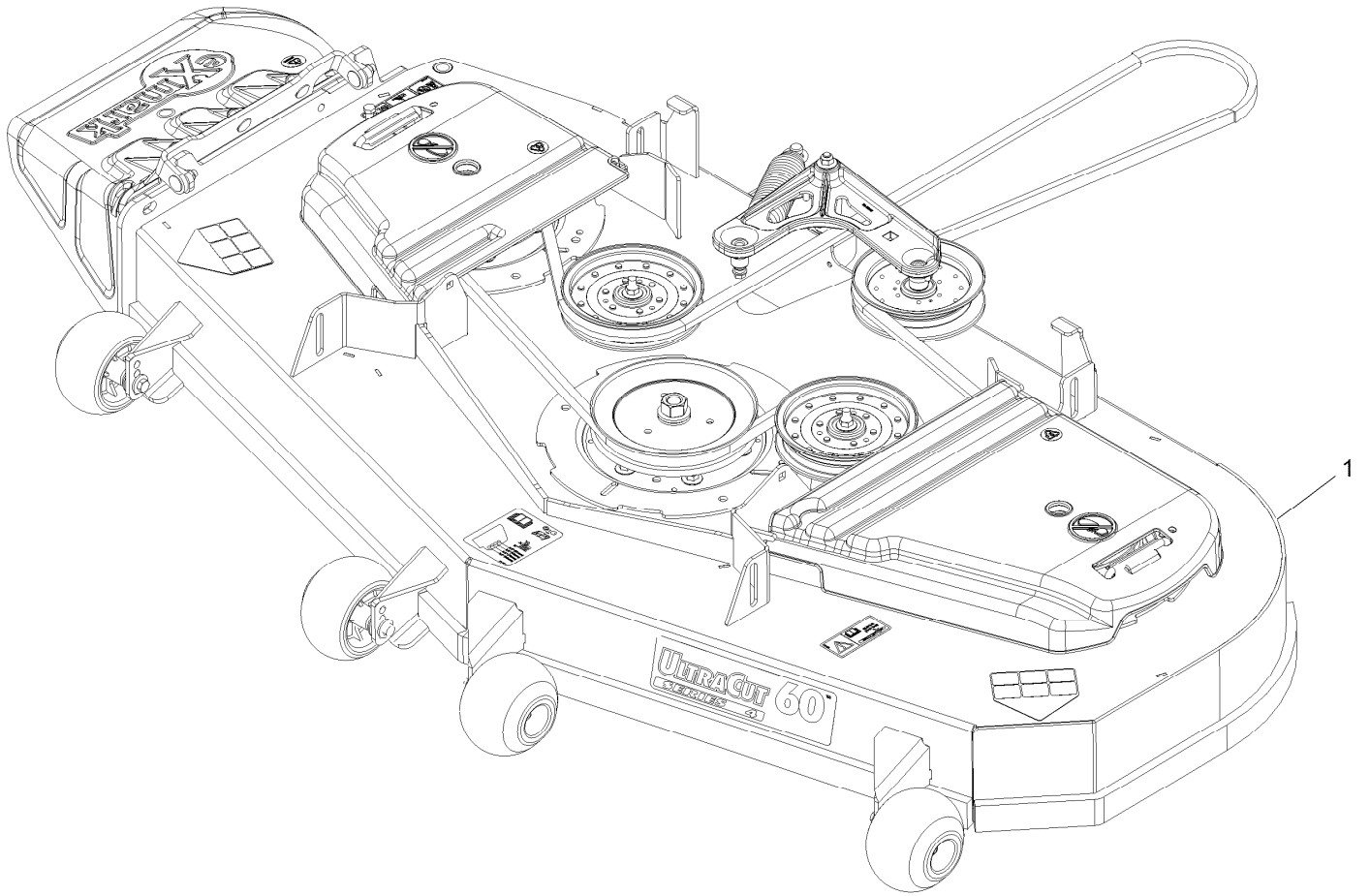
Exmark red touch up paint (spray paint – P/N 1-850337 - .6 oz liquid bottle – P/N 103-9140).



If your Exmark dealer does not have the Exmark part in stock, Exmark will get the parts to the dealer the next business day or the part will be FREE Guaranteed!! (Some restrictions apply. See your participating Exmark Dealer for details.)

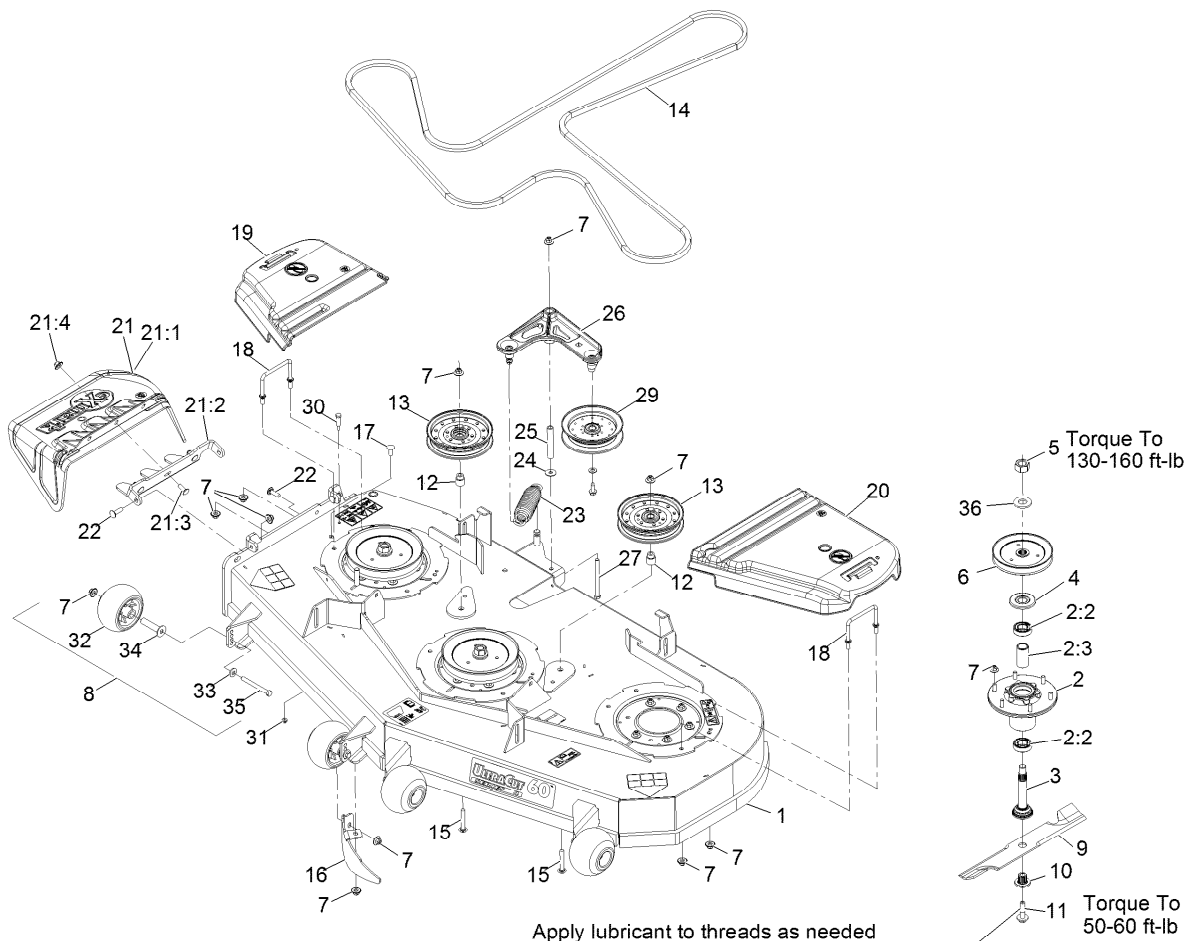
## Contents

Complete Deck Assembly.....	4
Deck Assembly.....	5
Deck W/Decals Assembly No. 116-5812.....	6
Idler Arm W/Bearings Assembly.....	7
Main Frame Assembly.....	8
Main Frame W/Decals Assembly.....	9
Caster Wheel Assembly No. 117-0361.....	10
Roll-Over Protection System Assembly No. 116-3498.....	11
Deck Lift Assembly.....	12
Motion Control Assembly.....	13
LH Motion Control Assembly.....	15
RH Motion Control Assembly.....	16
Seat Assembly.....	17
Seat W/Tracks Assembly No. 126-2802.....	18
Controls Assembly.....	19
Fuel Tank Mounting Assembly.....	20
Fuel Tank Assembly No. 116-4610.....	21
Engine Assembly.....	22
Hydraulic Assembly.....	23
LH Transaxle Assembly.....	24
RH Transaxle Assembly.....	25
Electrical Assembly.....	26



## Complete Deck Assembly

<i>Ref.</i>	<i>Part Number</i>	<i>Qty.</i>	<i>Description</i>
1	116-5945	1	ASM-Deck Complete 604

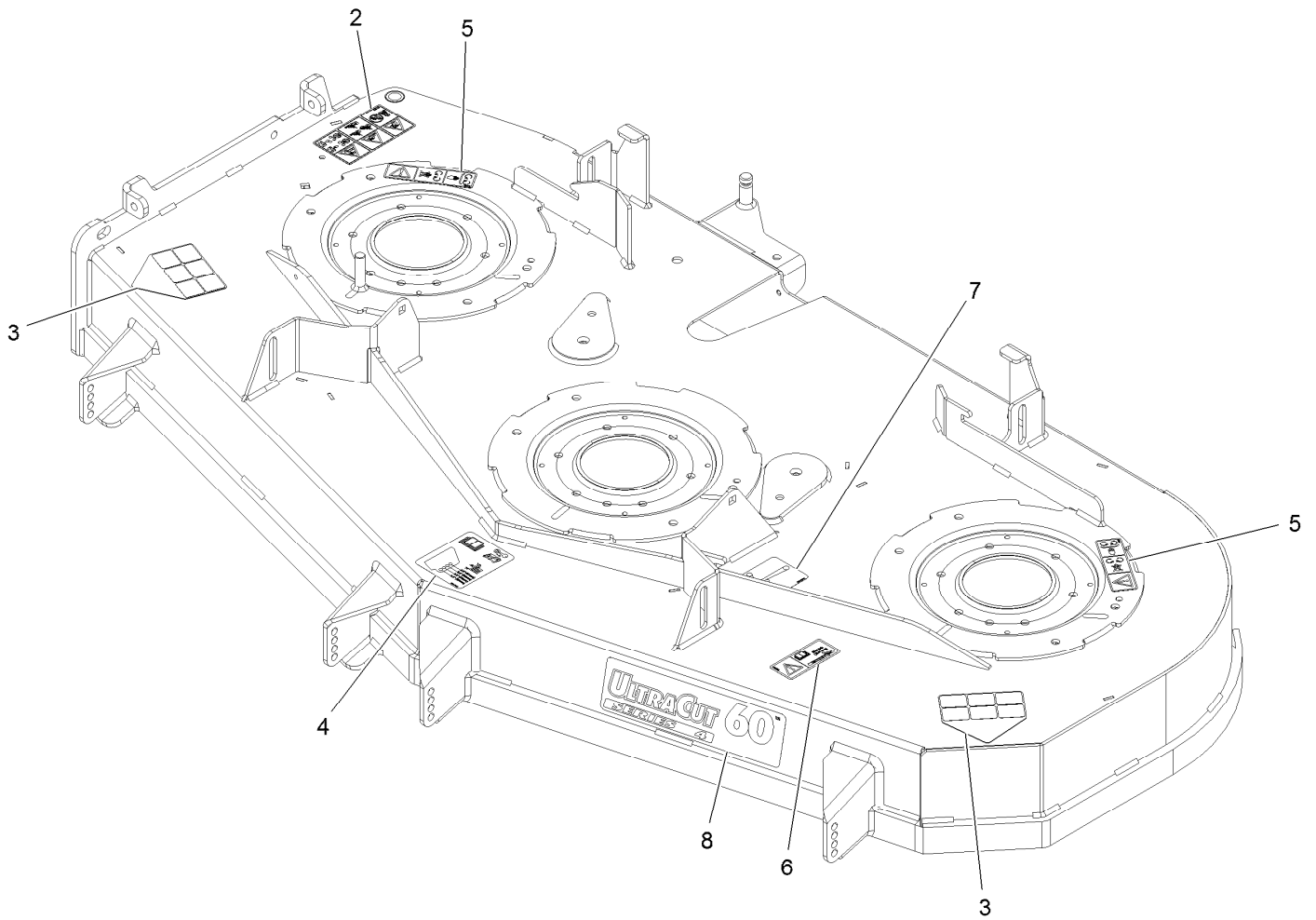


Apply lubricant to threads as needed to prevent seizing. Copper based anti-seize preferable. Grease is an acceptable substitute.

## Deck Assembly

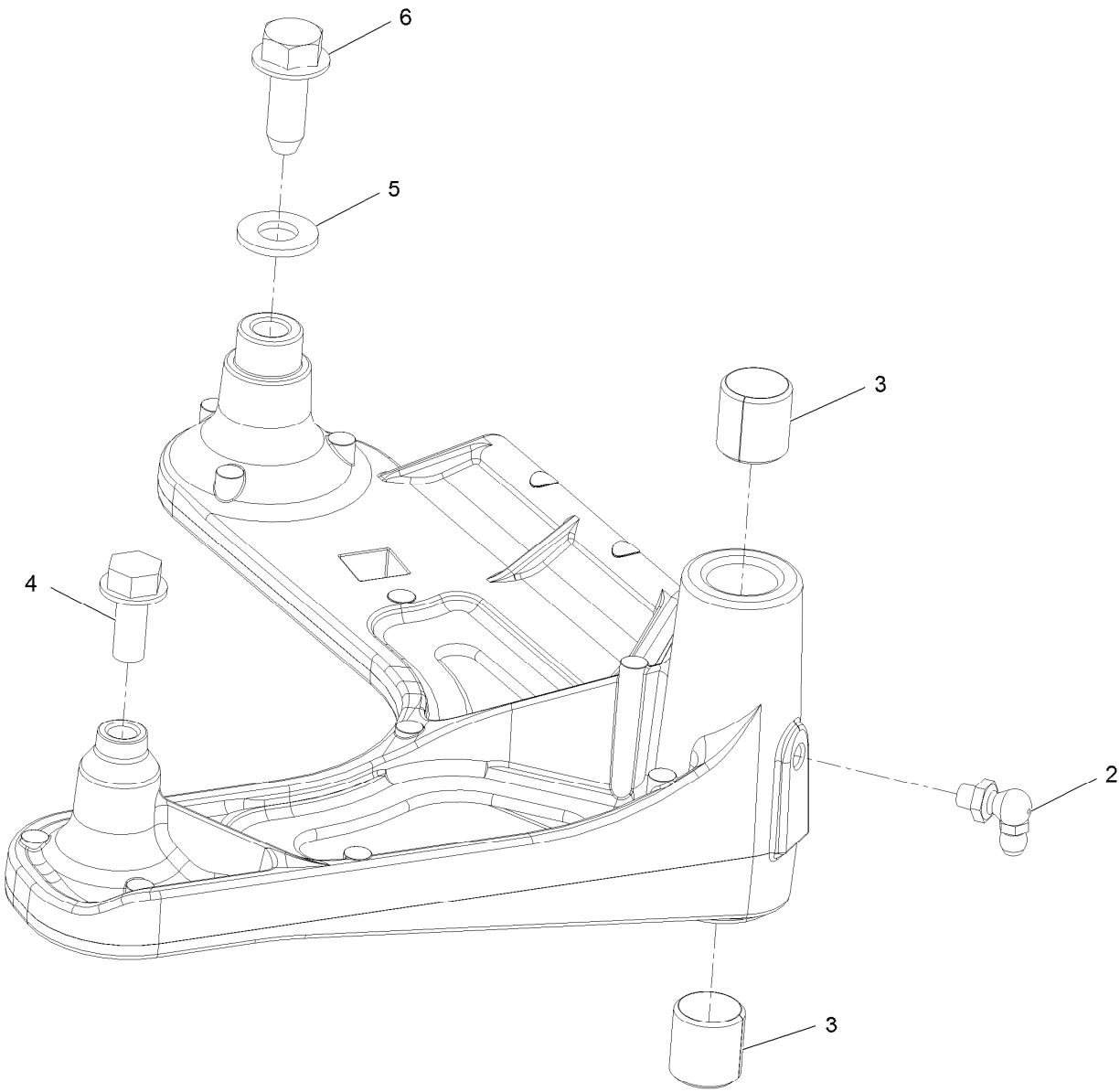
Ref.	Part Number	Qty.	Description	Ref.	Part Number	Qty.	Description
1	116-5812	1	Deck ASM,W/Decals 604	18	109-6982	2	Wireform-Cover
2	116-3344	3	ASM-Cutter Hsg With Bearings	19	116-0094	1	Cover-Belt, RH
2:2	116-0720	2	Bearing-Ball	20	109-6938	1	Cover-Belt, LH
2:3	116-3312	1	Spacer-Bearing	21	109-7188	1	ASM,Discharge Chute
3	116-3341	3	ASM-Spindle And Seal	21:1	109-2738	1	Chute, Discharge
4	116-1286	3	Guard,Bearing Top .989	21:2	109-8675-01	1	Bracket,Discharge Chute
5	116-7306	3	Nut-Hex	21:3	3231-22	3	Bolt-Carriage 3/8-16 X 1
6	116-0676	3	Sheave,Blade Drive 7.25	21:4	109-6658	3	Nut-Nyloc 3/8-16 Flg
7	109-6658	33	Nut-Nyloc 3/8-16 Flg	22	3231-28	3	Bolt-Carriage 3/8-16 X 1 1/4
8	116-9981	4	Kit, Anti-Scalp Roller	23	116-6317	1	Spring-Extension
9	116-5174	3	Blade-Extreme 2, 20.50"	24	52-2860	1	Washer
9	103-6403	3	Blade, Notched	25	116-5111	1	Bushing
9	103-6393	3	Blade, Mulching ●	26	126-0976	1	ASM-Idler Arm W/Bearings
9	103-6388	3	Blade, Low Lift	27	323-23	1	Screw-HH 3/8-16 X 4-1/2
9	103-6383	3	Blade, Solid	29	116-4668	1	Idler-Pulley, Flanged
10	103-3037	3	Bushing, Splined	30	112-8387	1	Bolt-HH Shoulder 1/4-20 X 1.64
11	109-9220	3	Screw-Sems 1/2-20 X 2.19	31	104-7201	1	Nut-Nyloc 1/4-20 Flg
12	1-633456	2	Bushing, Idler	32	103-8415	4	Roller-Anti-Scalp
13	116-4670	2	Pulley-Idler, Flat	33	98-5975	4	Washer-Spring Disc 3/8
14	114-8154	1	Belt-V	34	116-8131	4	Axle, Roller
15	3231-44	2	Bolt-Carriage 3/8-16 X 2 1/2	35	116-9362	4	Screw-HH 3/8-16 X 3 3/4 Gr 8
16	116-5614-01	1	Dogleg - Lz60	36	103-2802	3	Washer-Spring Disc 3/4
17	3231-22	1	Bolt-Carriage 3/8-16 X 1				

● Requires installation of mulch kit for proper mulching. See your Exmark dealer for details.



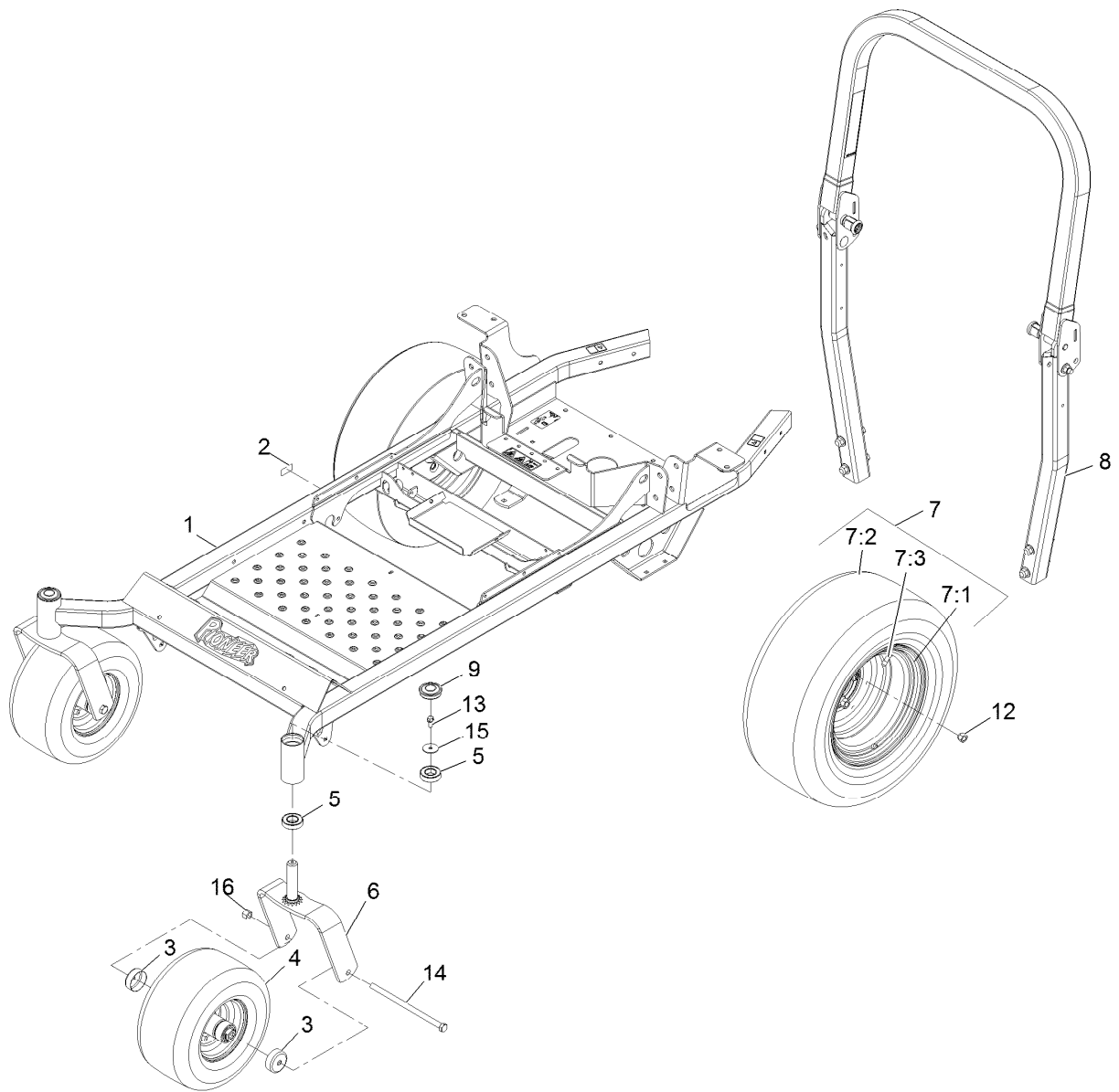
## Deck W/Decals Assembly No. 116-5812

<i>Ref.</i>	<i>Part Number</i>	<i>Qty.</i>	<i>Description</i>
2	117-3848	1	Decal-Danger
3	93-7316	2	Decal-Danger
4	109-6036	1	Decal-Roller, Anti-Scalp
5	112-9028	2	Decal-Cover Missing
6	116-8283	1	Decal-Bolt Torque
7	109-6035	1	Decal-Belt Routing
8	116-0025	1	Decal,Ultracut 60 Series 4



## Idler Arm W/Bearings Assembly

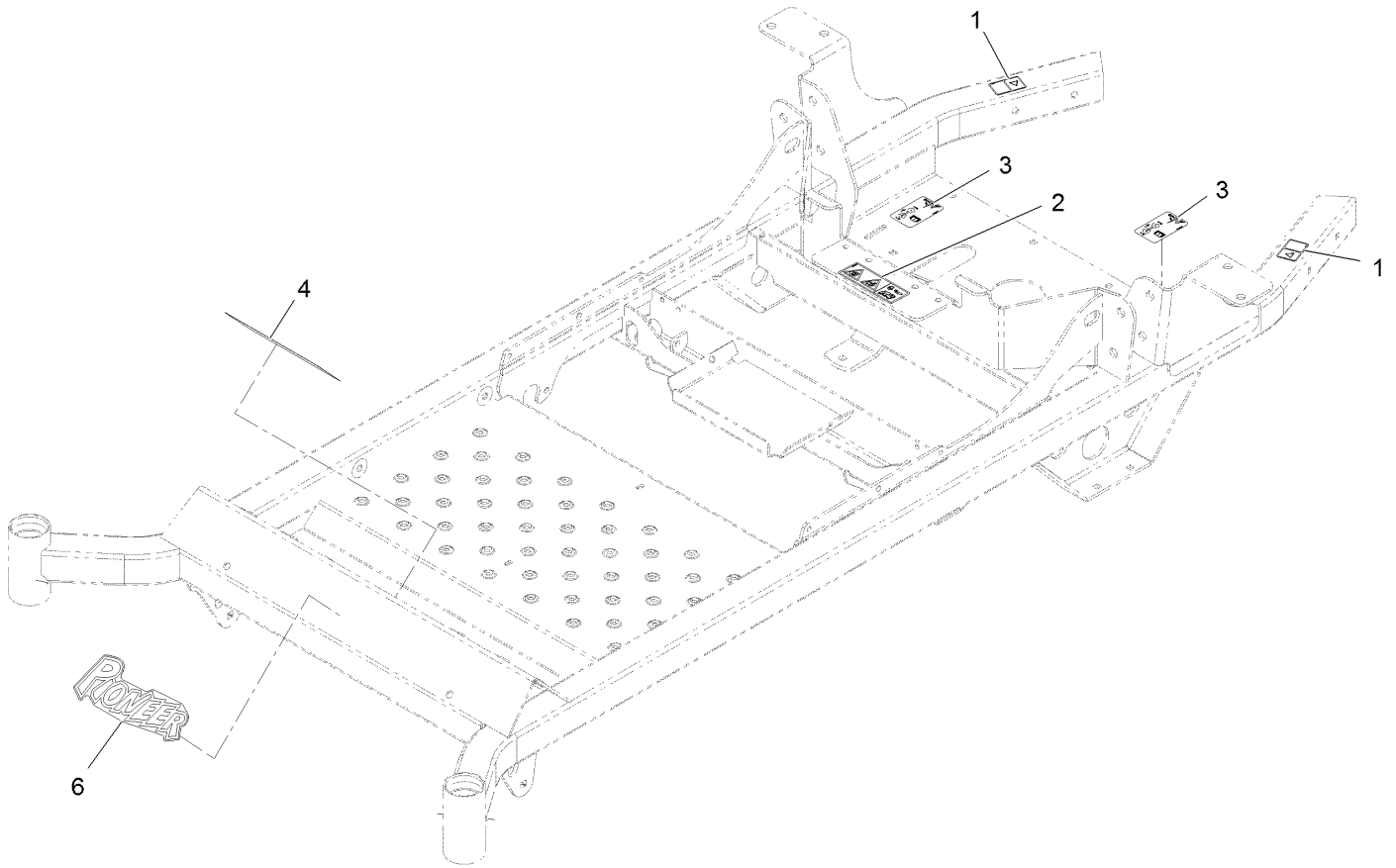
<i>Ref.</i>	<i>Part Number</i>	<i>Qty.</i>	<i>Description</i>
2	302-40	1	Zerk-90° 1/4-28
3	1-513034	2	Sleeve-Bearing
4	32144-11	1	Screw-HWH 5/16-18 X 3/4 Tf
5	3256-24	1	Washer-3/8 Sae
6	126-1696	1	Screw-Thread Forming



## Main Frame Assembly

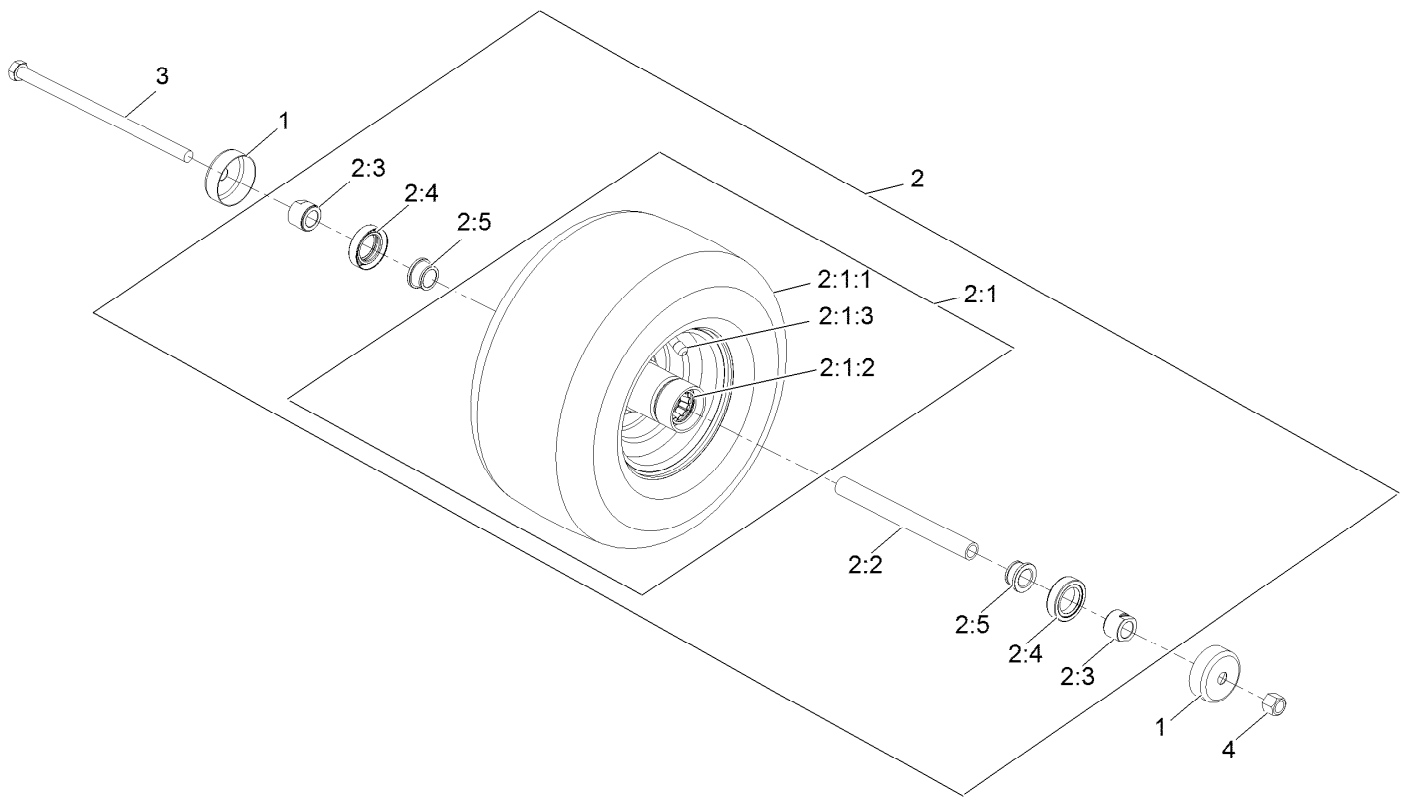
Ref.	Part Number	Qty.	Description	Ref.	Part Number	Qty.	Description
1	116-5854	1	Frame ASM-60	7:3	232-27	1	Stem-Valve
2	126-4345	1	Decal-Patent Ttco.Com	8	116-3498	1	ASM-ROPS Pioneer
3	103-2768	4	Guard-Seal	9	116-4348	2	Cap-Grease
4	117-0361	2	Castor Wheel ASM	12	242-50	8	Nut-Lug 1/2-20
5	109-3678	4	Bearing-Ball	13	3234-5	2	Screw-HH Flg 5/16-18 X 3/4
6	126-3997-01	2	Caster Fork Wide [red]	14	325-39	2	Screw-HH 1/2-13 X 9 1/2
7	119-2685	2	Wheel And Tire ASM	15	3256-68	2	Washer-Flat
7:1	120-3272	1	Wheel	16	3296-23	2	Nut-Nyloc 1/2-13
7:2	120-3269	1	Tire				





## Main Frame W/Decals Assembly

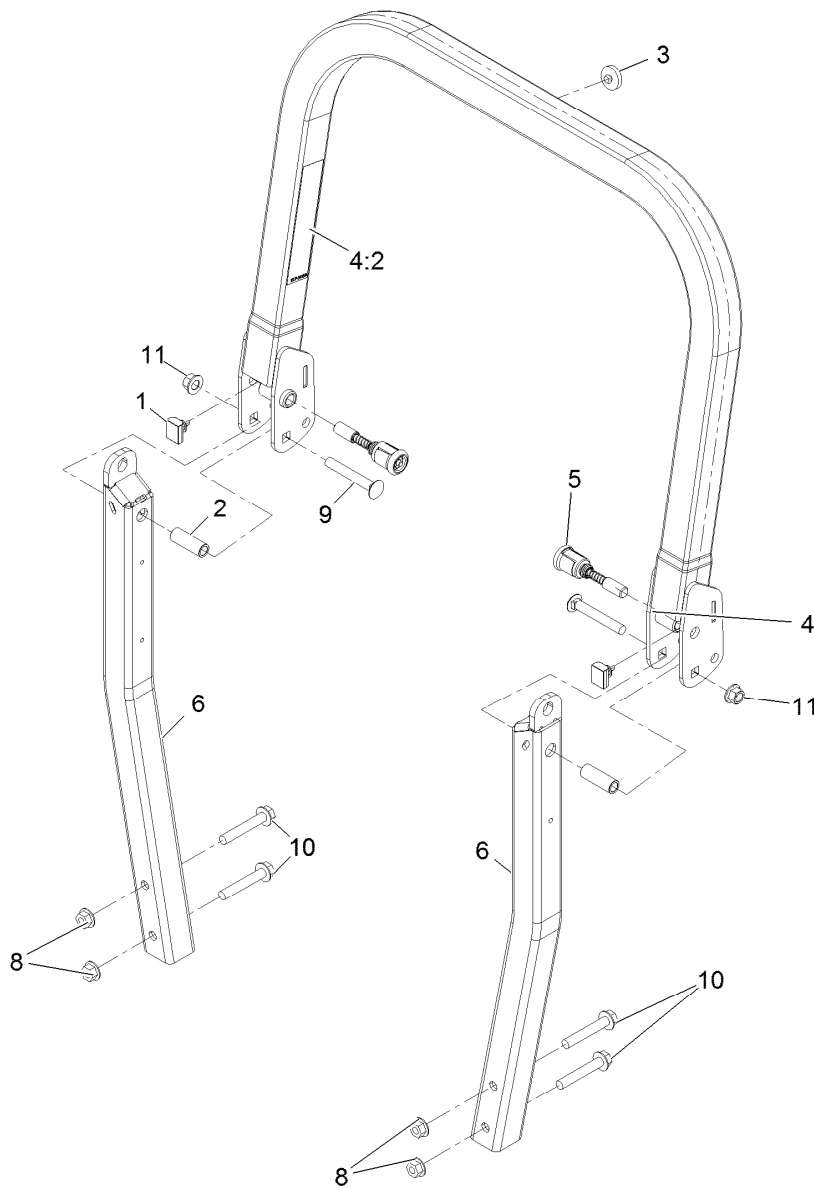
<i>Ref.</i>	<i>Part Number</i>	<i>Qty.</i>	<i>Description</i>
1	106-5517	2	Decal-Warning, Hot Surface
2	126-4363	1	Decal-Warning Rotating Devices
3	116-8588	2	Decal-Drive Release
4	127-0335	1	Decal-Warning, Slope
6	116-4570	1	Decal-Pioneer Logo



## Caster Wheel Assembly No. 117-0361

Ref.	Part Number	Qty.	Description
1	103-2768	2	Guard-Seal
2		1	Wheel ASM ●
2:1		1	Wheel And Tire ASM ●
2:1:1	1-523009	1	Tire
2:1:2	1-633584	2	Bearing-Cup
2:1:3	5108	1	Valve
2:2	103-5156	1	Axle-Caster
2:3	103-3051	2	Spacer-Nut
2:4	103-0063	2	Seal-Double Lip
2:5	1-633585	2	Bearing-Cone Tapered Roller
3	325-39	1	Screw-HH 1/2-13 X 9 1/2
4	3296-23	1	Nut-Nyloc 1/2-13

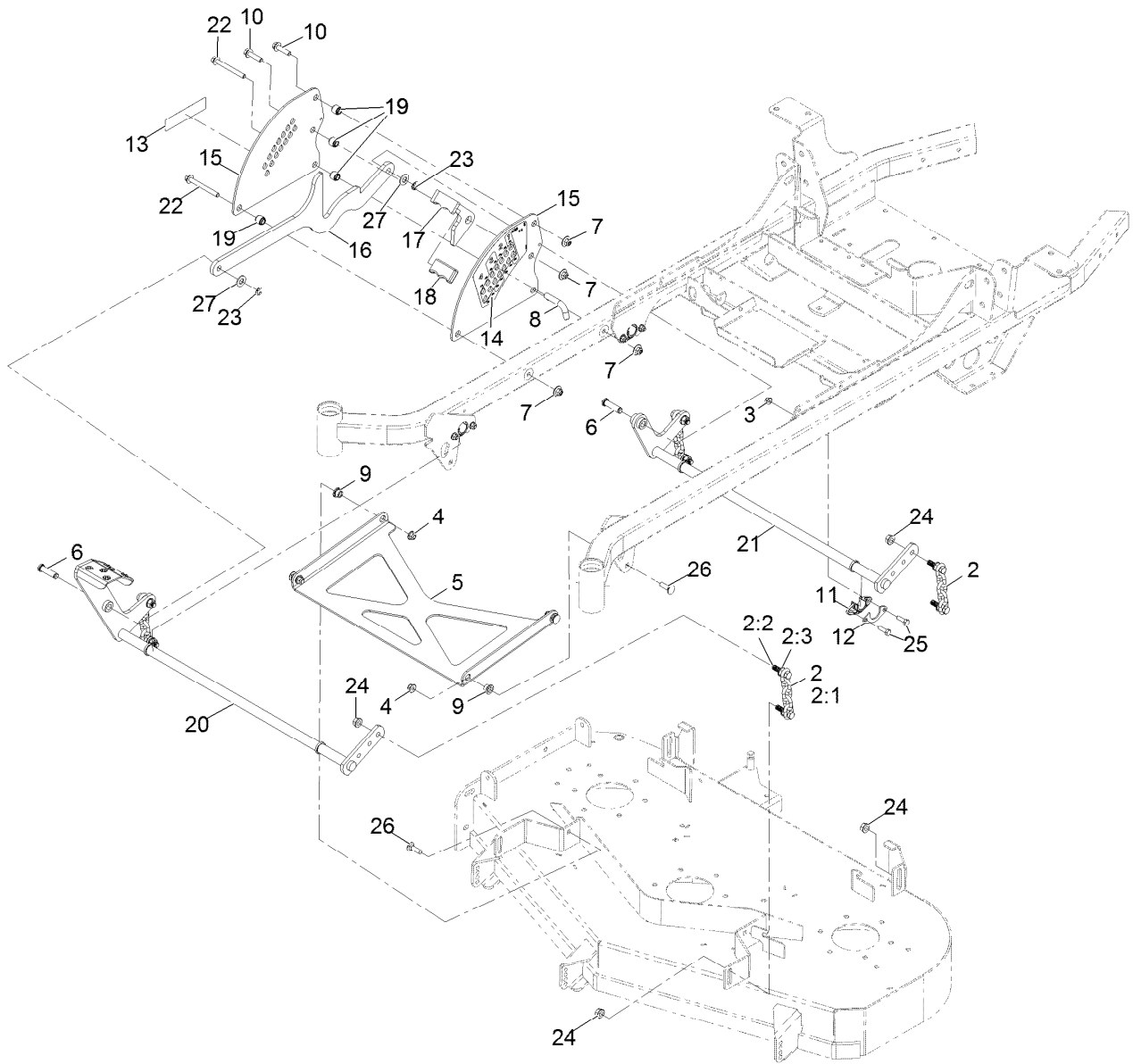
● Not serviced separately



## Roll-Over Protection System Assembly No. 116-3498

Ref.	Part Number	Qty.	Description
1	109-5337	2	Bumper-ROPS
2	109-6653	2	Spacer
3	109-9233	1	Bumper-Push-In, Rubber
4	116-0019	1	Upper ROPS ASM
4:2	107-3069	1	Decal-Warning, Folding ROPS
5	116-0104	2	Pin-Spring
6		2	ASM-Lwr ROPS Leg ●
8	32128-49	4	Nut-Whizlock 1/2-13
9	3233-10	2	Bolt-Carriage 1/2-13 X 3 1/2
10	3234-40	4	Screw-HF
11	99-5107	2	Nut-Lock 1/2-13

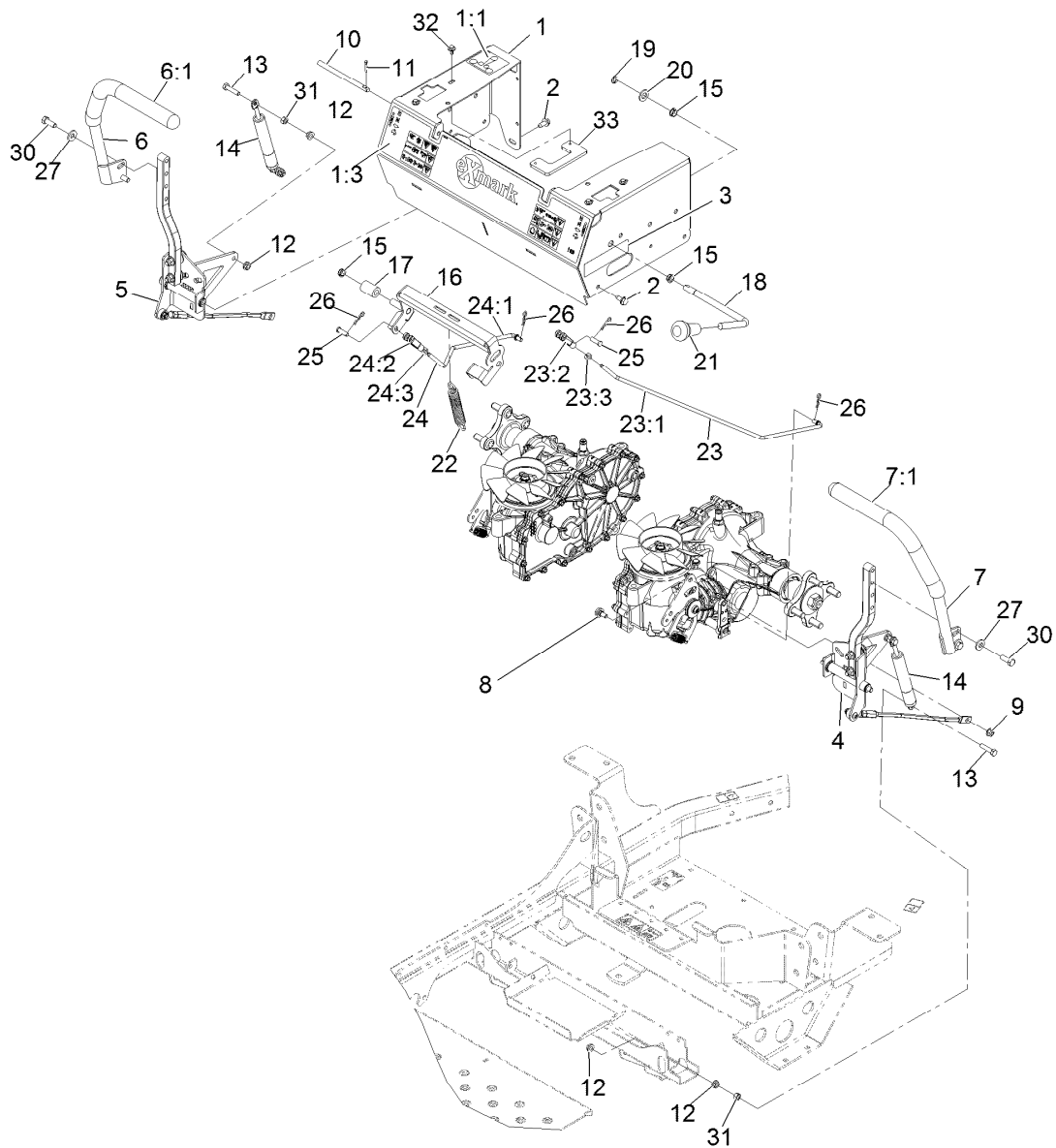
● Not serviced separately



## Deck Lift Assembly

Ref.	Part Number	Qty.	Description
2	103-9817	4	Deck Chain ASM
2:1	1-633447	1	Chain-Lift, Deck
2:2	103-1898	2	Screw-HH 7/16-20 X 1-5/8 Sp
2:3	32128-37	2	Nut-Whizlock 7/16-14
3	104-8300	8	Nut-Nyloc 5/16-18 Flg
4	104-8301	4	Nut-Nyloc 3/8-16 Flg
5	109-3723-01	1	Strut-Deck
6	109-5819	2	Pin-Clevis
7	109-6658	4	Nut-Nyloc 3/8-16 Flg
8	116-5584	1	Pin-HOC
9	109-8788	4	Bushing-Flanged
10	114-4681	2	Screw-HHF
11	115-5065	4	Bushing-Flange
12	116-2887	4	Gusset-Lift, Deck

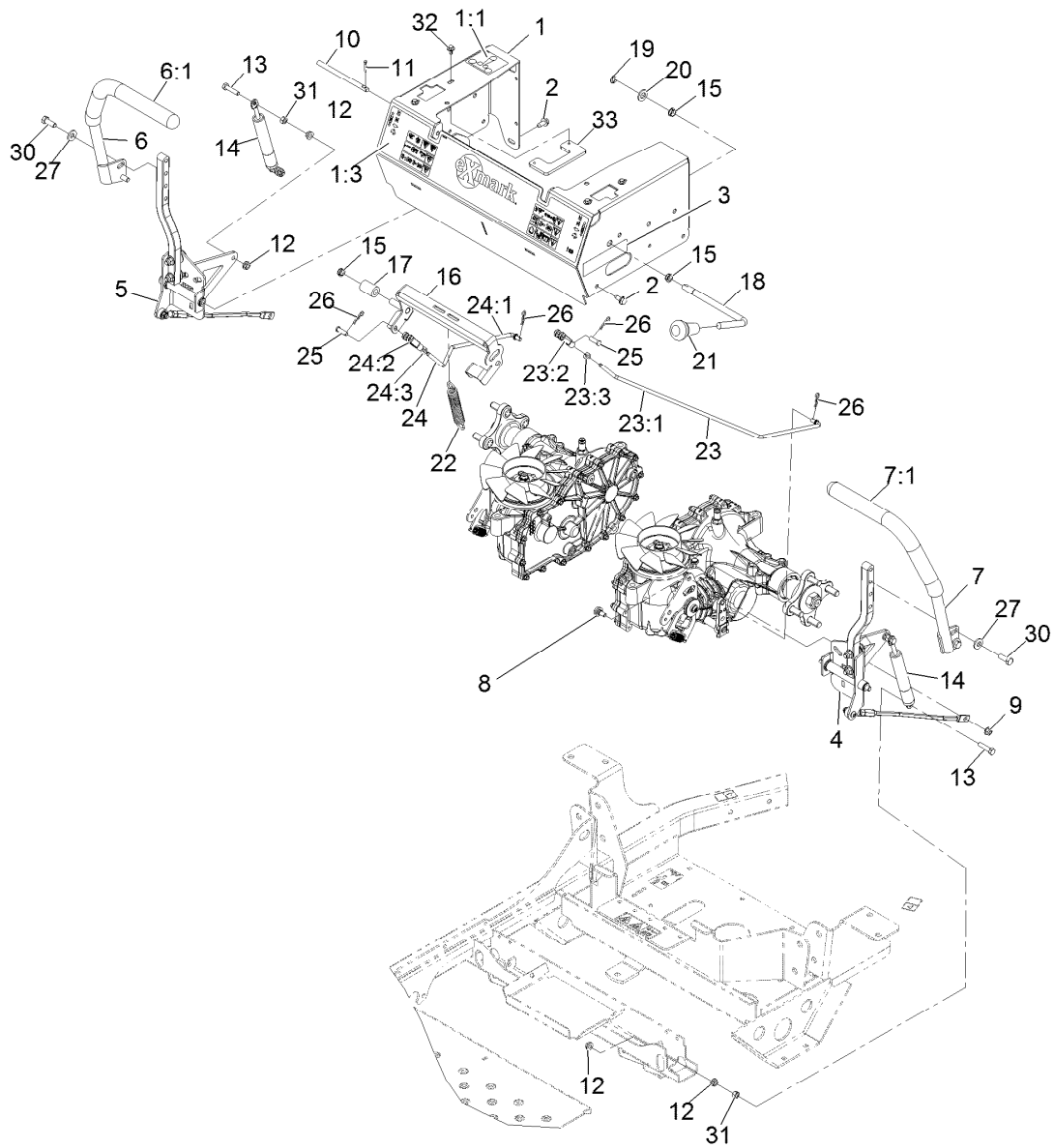
Ref.	Part Number	Qty.	Description
13	116-3884	1	Decal-S-Series
14	126-4383	1	Decal-Height Of Cut
15	116-4309-03	2	Plate,Deck Lift
16	116-4310-03	1	Link-HOC
17	116-4311	1	Transport Lock-HOC
18	116-4312	1	Grip-Bar, Flat
19	116-4313	4	Spacer-Step, Double
20	116-6011-03	1	Wld-Deck Lift Shaft Frt
21	116-6012-03	1	Wld-Deck Lift Shaft Rr
22	116-4701	2	Screw-HHF
23	32120-47	2	Ring-Retaining
24	32128-37	8	Nut-Whizlock 7/16-14
25	322-5	8	Screw-HH 5/16-18 X 1
26	3231-25	4	Bolt-Carriage 3/8-16 X 1 1/4
27	3256-26	2	Washer-1/2 Sae



## Motion Control Assembly

Ref.	Part Number	Qty.	Description	Ref.	Part Number	Qty.	Description
1	116-3188	1	ASM-Mot Ctrl Frm W/Dcl	13	1-403180	4	Screw-HH 5/16-18 X 1 3/8 Special
1:1	109-6014	1	Decal-Belt Routing	14	109-5957	2	Damper-Motion Control
1:3	116-8668	1	Decal-Console	15	116-1393	3	Bushing,Snap
2	32144-70	6	Screw-HWH 5/16-18 X 3/4 Tf	16	116-6233	1	Wld-Brake Center Arm
3	116-3884	1	Decal-S-Series	17	109-5010	1	Spacer
4		1	Motion Control ASM-LH ●	18	116-3155	1	Handle,Brake
5		1	Motion Control ASM-RH ●	19	32120-47	1	Ring-Retaining
6	119-3486	1	RH Handle ASM	20	106-9888	1	Washer-Flat
6:1	108-6187	1	Grip	21	106-7952	1	Knob
7	119-3485	1	LH Handle ASM	22	88-6130	1	Spring-Deck, Engagement
7:1	108-6187	1	Grip	23	116-1165	1	Brake Linkage ASM-LH
8	37-8771	2	Screw-Shoulder 5/16-18 X 5/8	23:1	116-1167	1	Linkage,Brake LH
9	104-8300	2	Nut-Nyloc 5/16-18 Fig	23:2	1-303105	1	Yoke-Adjustable
10	109-3705	2	Pin-Control Pivot	23:3	3220-2	1	Nut-Jam 5/16-24
11	3272-10	2	Pin-Cotter 1/8 X 3/4	24	116-1166	1	Brake Linkage ASM-RH
12	32128-20	8	Nut-Whizlock 5/16-18	24:1	116-1168	1	Linkage-Brake, RH
				24:2	1-303105	1	Yoke-Adjustable
				24:3	3220-2	1	Nut-Jam 5/16-24

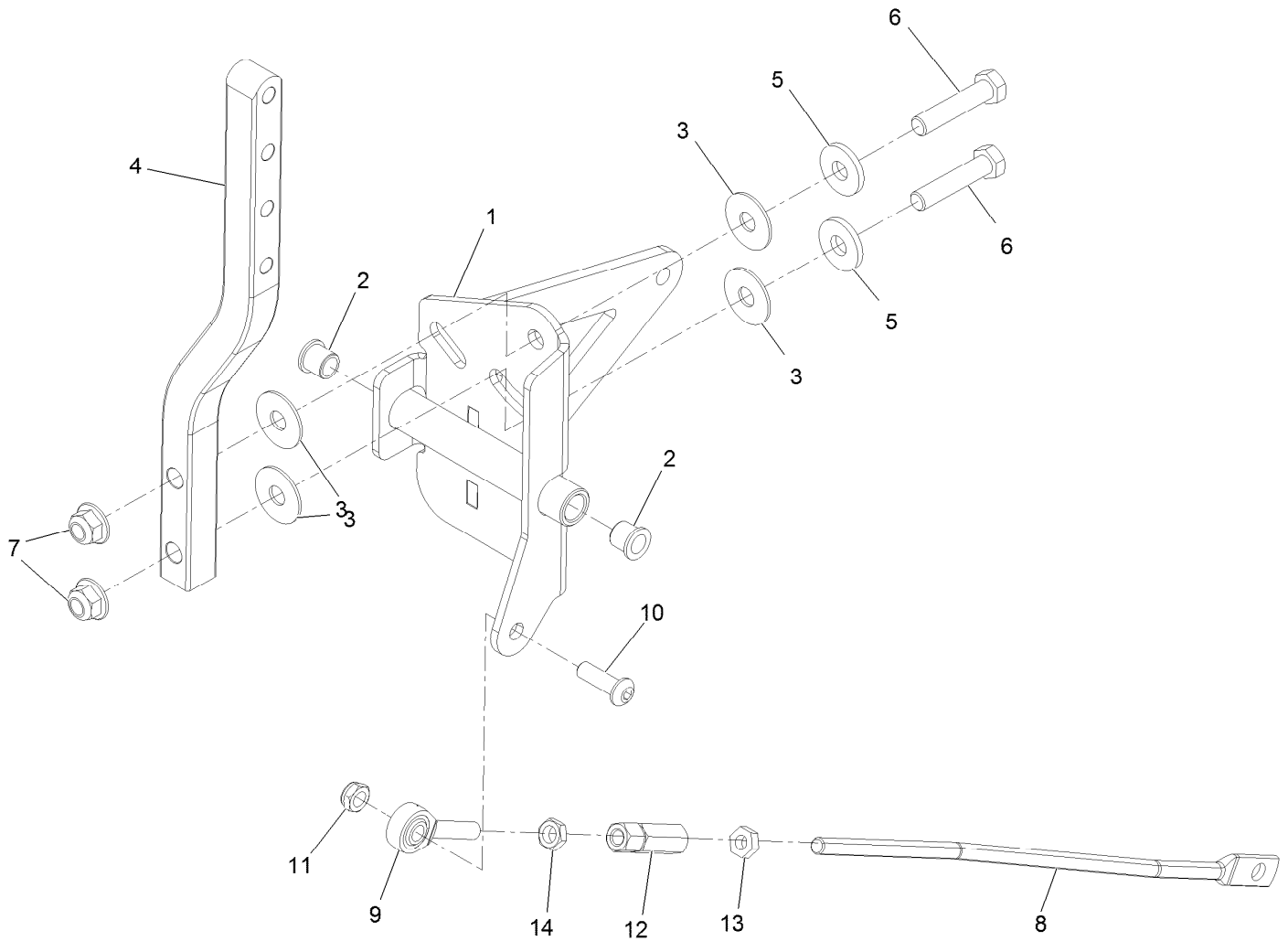
● Not serviced separately



## Motion Control Assembly (continued)

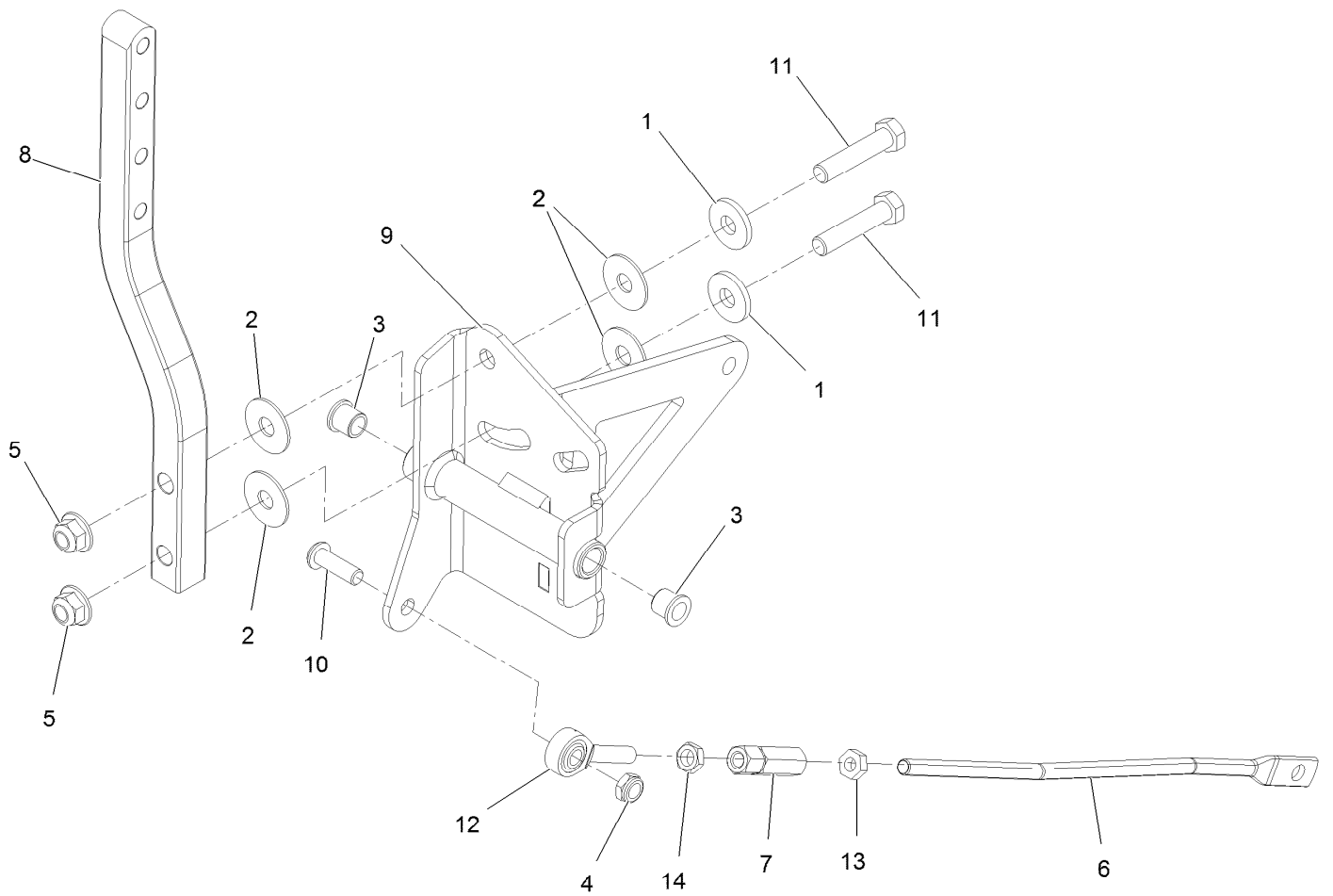
<i>Ref.</i>	<i>Part Number</i>	<i>Qty.</i>	<i>Description</i>	<i>Ref.</i>	<i>Part Number</i>	<i>Qty.</i>	<i>Description</i>
25	1-808280	2	Pin-Clevis 5/16 X 1 49/64	31	3217-6	4	Nut-Hex 5/16-18
26	1-806003	4	Hairpin-Cotter	32	46-8560	4	Screw-HHF 1/4-20 X 1/2
27	98-5975	4	Washer-Spring Disc 3/8	33	109-6214	2	Stop-Motion Control
30	323-6	4	Screw-HH 3/8-16 X 1				

● Not serviced separately



## LH Motion Control Assembly

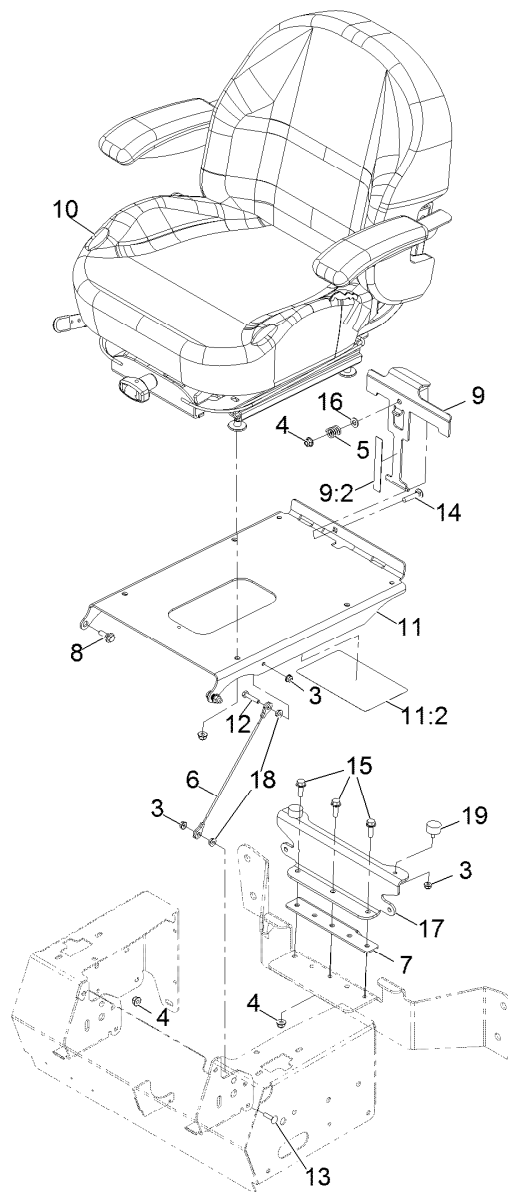
Ref.	Part Number	Qty.	Description
1	126-3710	1	LH Control Pivot ASM
2	103-9928	2	Bearing
3	52-2900	4	Washer-Plastic
4	116-3183	1	Arm-Motion Control
5	5-0838	2	Washer
6	323-9	2	Screw-HH
7	104-8301	2	Nut-Flange, NI
8	116-2543	1	Link, Motion Control
9	2411-53	1	Bearing-Rod End, LH
10	3274-104	1	Screw-HSBH
11	3296-47	1	Nut-Lock, NI
12	109-3728	1	Nut-Rod Adjustment
13	3220-2	1	Nut-Jam
14	3220-20	1	Nut-Jam



## RH Motion Control Assembly

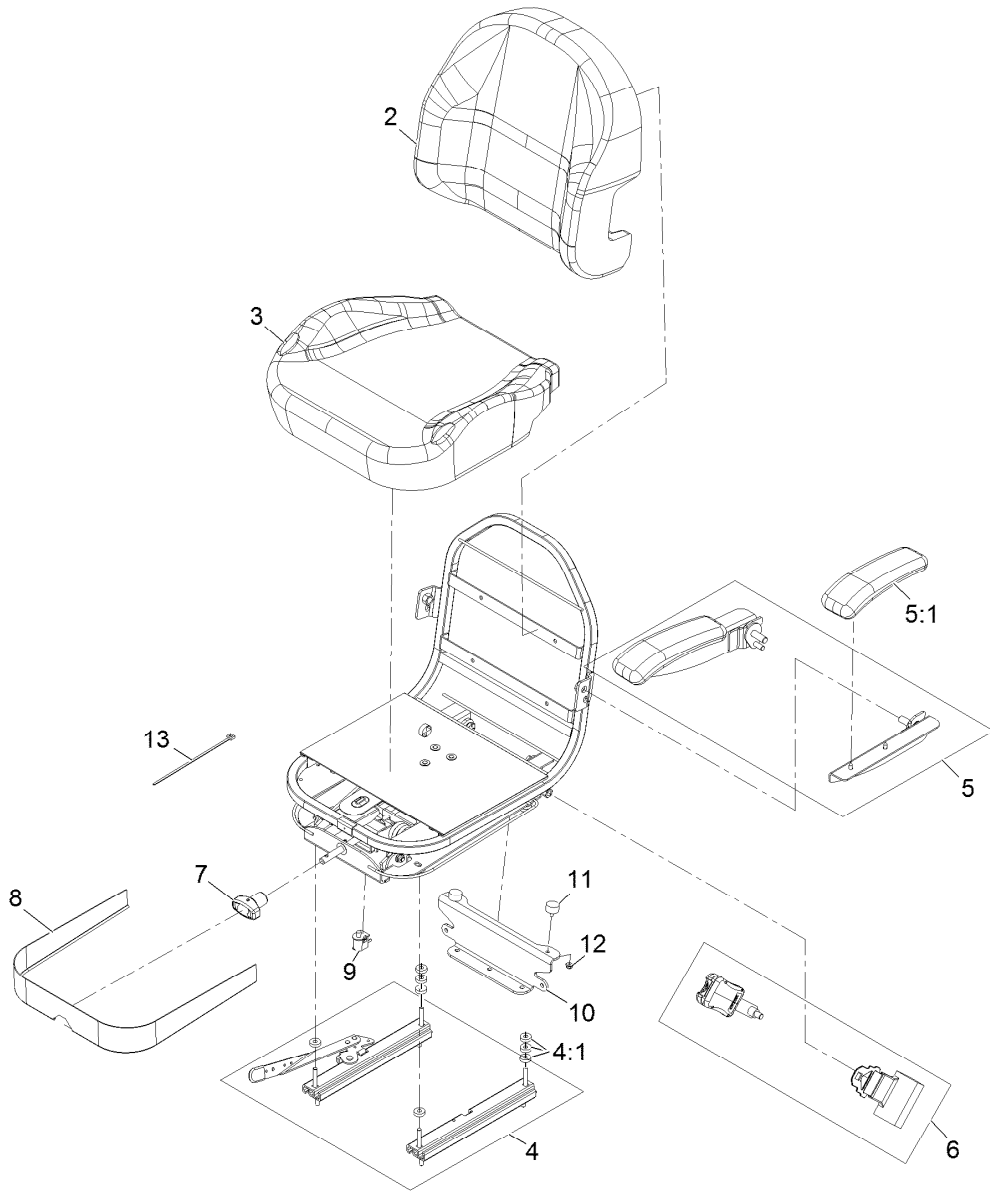
<i>Ref.</i>	<i>Part Number</i>	<i>Qty.</i>	<i>Description</i>
1	5-0838	2	Washer
2	52-2900	4	Washer-Plastic
3	103-9928	2	Bearing
4	3296-47	1	Nut-Nyloc 5/16-18 Thin
5	104-8301	2	Nut-Nyloc 3/8-16 Flg
6	116-2543	1	Link, Motion Control
7	109-3728	1	Nut-Rod Adjustment
8	116-3183	1	Arm-Motion Control
9	126-3707	1	RH Control Pivot ASM
10	3274-104	1	Screw-Button Head 5/16-18 X 1
11	323-9	2	Screw-HH 3/8-16 X 1 3/4
12	2411-53	1	Balljoint LH
13	3220-2	1	Nut-Jam 5/16-24
14	3220-20	1	Nut-Jam 5/16-24 LH





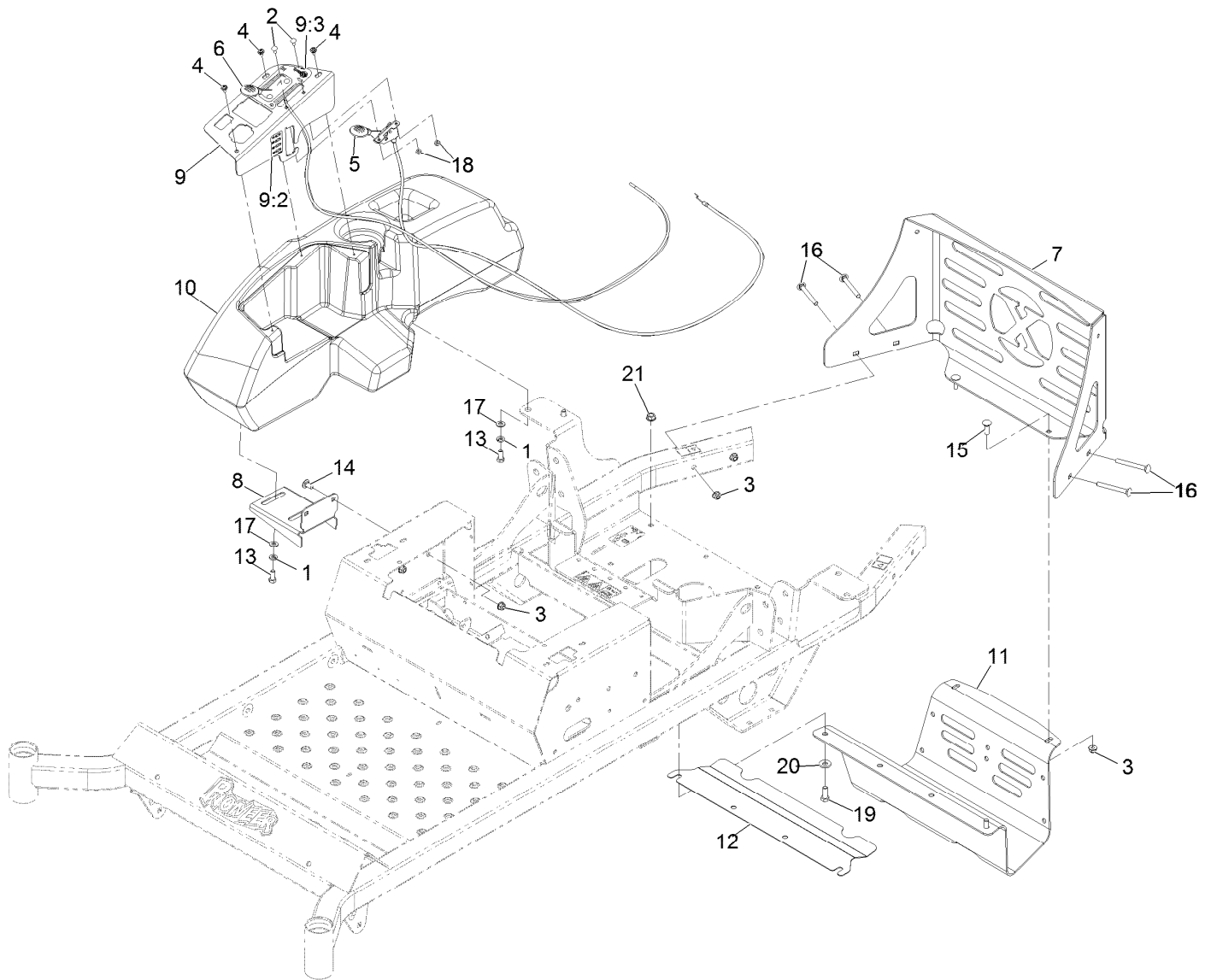
## Seat Assembly

<i>Ref.</i>	<i>Part Number</i>	<i>Qty.</i>	<i>Description</i>	<i>Ref.</i>	<i>Part Number</i>	<i>Qty.</i>	<i>Description</i>
3	104-7201	4	Nut-Nyloc 1/4-20 Flg	11:2	109-6016	1	Decal-Service Aid
4	104-8300	10	Nut-Nyloc 5/16-18 Flg	12	321-8	1	Screw-HH 1/4-20 X 1 1/4
5	107-3017	1	Spring-Compression	13	3229-2	1	Bolt-Carriage 1/4-20 X 1
6	109-2628	1	Cable-Stop, Seat	14	3230-4	1	Bolt-Carriage 5/16-18 X 1 1/2
7	116-0871	1	Catch,Seat Latch	15	3234-29	3	Screw-HH Flg 5/16-18 X 1
8	116-1297	2	Screw-Shoulder	16	3256-23	1	Washer-5/16 Sae
9	116-3121	1	ASM-Seat Latch	17	126-0480-01	1	Plate-Seat Support
9:2	116-3120	1	Strip-Poly Wear	18	32128-33	2	Nut-Whizlock 1/4-20
10	126-2802	1	Kit-Seat Suspension	19	240-14	2	Bumper-Rubber
11	116-4418	1	Plate, Seat W/Decals				



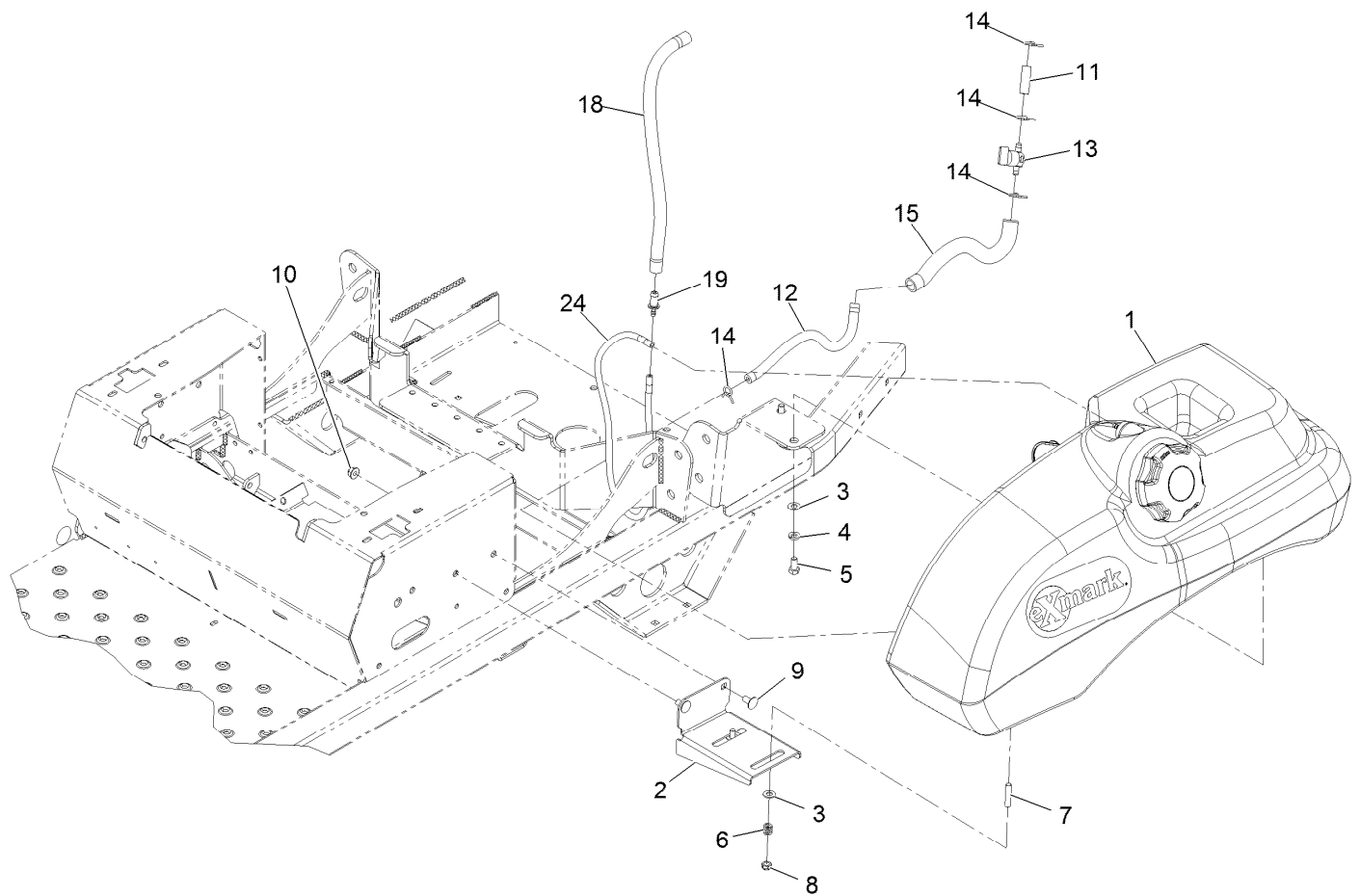
## Seat W/Tracks Assembly No. 126-2802

Ref.	Part Number	Qty.	Description
2	126-3505	1	Cover-Seat Back
3	130-0848	1	Cover-Cushion
4	126-3501	1	Kit-Track-Seat 4"
4:1	26-4840	8	Spacer-Pin, Mounting
5	126-2058	1	Armrest Kit
5:1	110-4163	2	Cushion-Rest, Arm
6	126-3504	1	Kit-Seat Belt Service
7	130-0846	1	Knob-Adjuster
8	126-3506	1	Cover-Skirt W/Fasteners
9	82-2190	1	Switch
10	126-0480-01	1	Plate-Seat Support
11	240-14	2	Bumper-Rubber
12	104-7201	2	Nut-Nyloc 1/4-20 Flg
13	1-303335	1	Tie-Cable 7 15/16 (Large)



## Controls Assembly

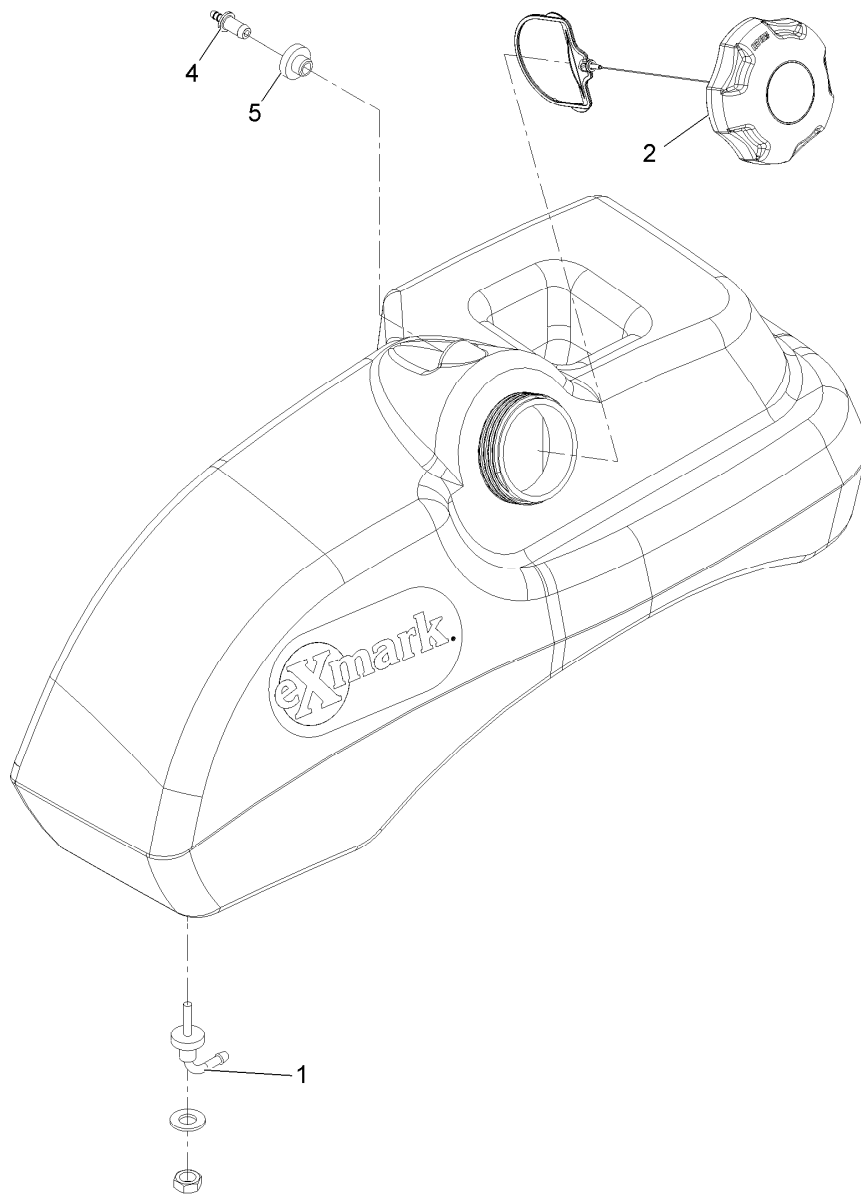
Ref.	Part Number	Qty.	Description	Ref.	Part Number	Qty.	Description
1	1-805005	4	Washer-Lock 5/16 Heavy	11	126-4275-03	1	Guard, Muffler
2	1-807513	4	Bolt-Carriage #10-24 X 1/2	12	126-0456-03	1	Shield, Heat
3	104-8300	8	Nut-Nyloc 5/16-18 Flg	13	322-3	4	Screw-HH 5/16-18 X 3/4
4	109-2661	3	Screw-PPH #10-24 X 1/2	14	3230-18	2	Bolt-Carriage 5/16-18 X 5/8
5	116-4919	1	Control,Throttle	15	3230-2	2	Bolt-Carriage 5/16-18 X 1
6	109-8747	1	Control,Choke	16	3230-9	4	Bolt-Carriage 5/16-18 X 2 3/4
7	116-3453-03	1	Panel,Rear Guard	17	3256-23	4	Washer-5/16 Sae
8	116-3495-03	1	Bracket-Tank And Fender	18	3296-2	4	Nut-Nyloc #10-24
9	116-3496	1	ASM,Control Panel W/Decal	19	323-6	2	Screw-HH 3/8-16 X 1
9:2	116-1496	1	Decal,Fuse Block	20	98-5975	2	Washer-Spring Disc 3/8
9:3	116-4465	1	Decal-Throttle Choke	21	3290-357	2	Nut-Whizlock 3/8-16
10	116-4138	1	Console,RH				



## Fuel Tank Mounting Assembly

Ref.	Part Number	Qty.	Description	Ref.	Part Number	Qty.	Description
1	116-4610	1	ASM-Fuel Tank	10	104-8300	2	Nut-Nyloc 5/16-18 Flg
2	116-3495-03	1	Bracket-Tank And Fender	11	106-9492	1	Hose-Fuel
3	3256-23	4	Washer-5/16 Sae	12	109-0282	1	Hose-Fuel
4	1-805005	2	Washer-Lock 5/16 Heavy	13	1-603770	1	Valve-Fuel
5	322-3	2	Screw-HH 5/16-18 X 3/4	14	1-303077	4	Clamp-Fuel Line
6	1-633349	2	Spring-Compression	15	116-4515	1	Conduit-Fuel Line
7	1-633023	2	Stud-Fuel Tank ●	18	116-4344	1	Hose-Fuel
8	3296-47	2	Nut-Nyloc 5/16-18 Thin	19	116-4630	1	Fitting-Straight Orifice
9	3230-18	2	Bolt-Carriage 5/16-18 X 5/8	24	116-4802	1	Hose,Emissions

● Use Pro-Lock, Nut Type (P/N 1-840022, .5ml tube) on threads.



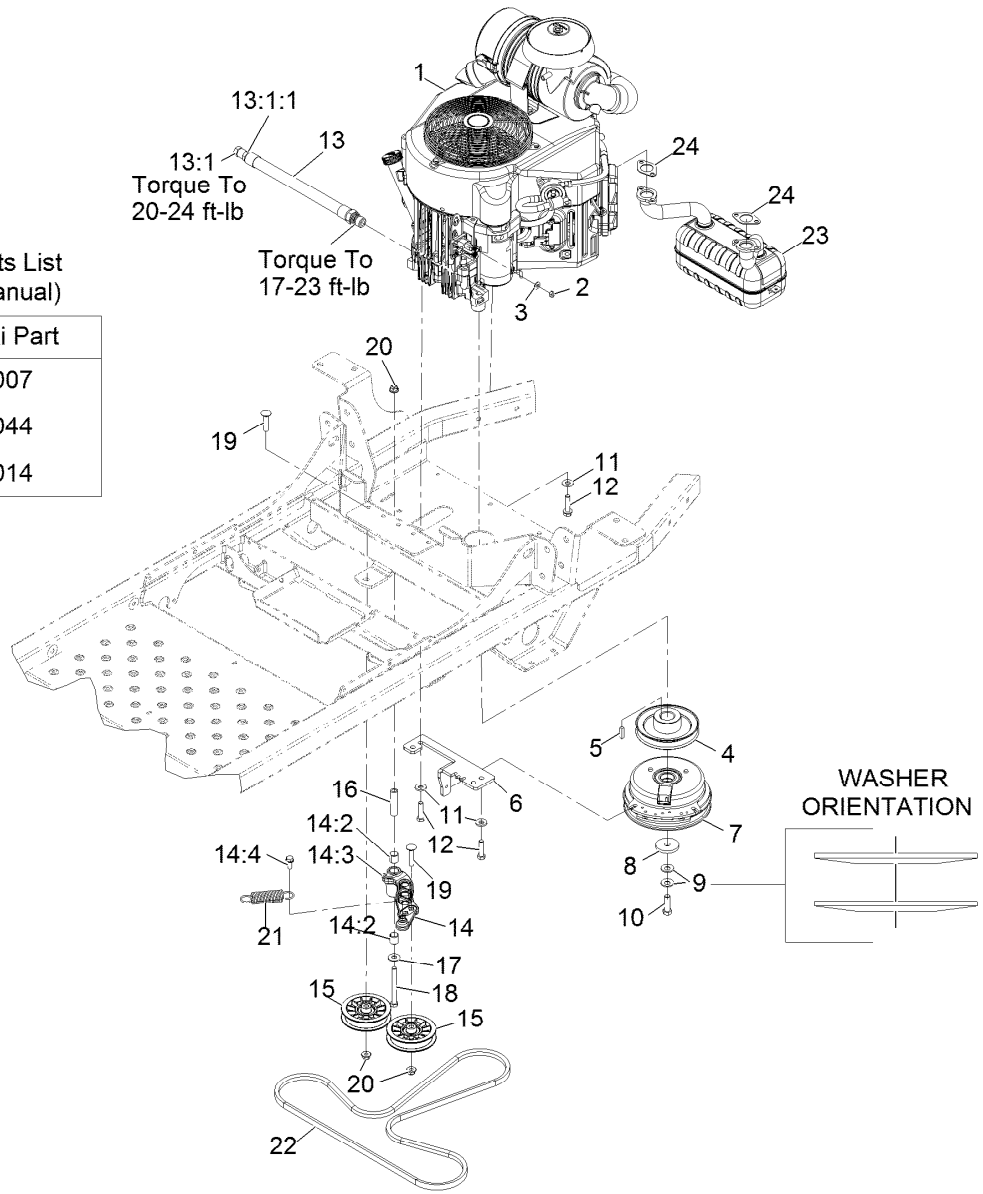
## Fuel Tank Assembly No. 116-4610

<i>Ref.</i>	<i>Part Number</i>	<i>Qty.</i>	<i>Description</i>
1	103-2605	1	Fitting-Fuel Bulkhead W/Strainer ●
2	120-5461	1	Cap-Fuel, Ratcheting
4	116-4630	1	Fitting-Straight Orifice
5	46-6560	1	Bushing

● Use Pro-Lock, Nut Type (P/N 1-840022, .5ml tube) on threads.

Kawasaki Replacement Parts List  
(Refer To Engine Owner's Manual)

Description	Kawasaki Part
Engine Oil Filter	49065-7007
Engine Air Filter	11013-7044
Fuel Filter	49019-0014



## Engine Assembly

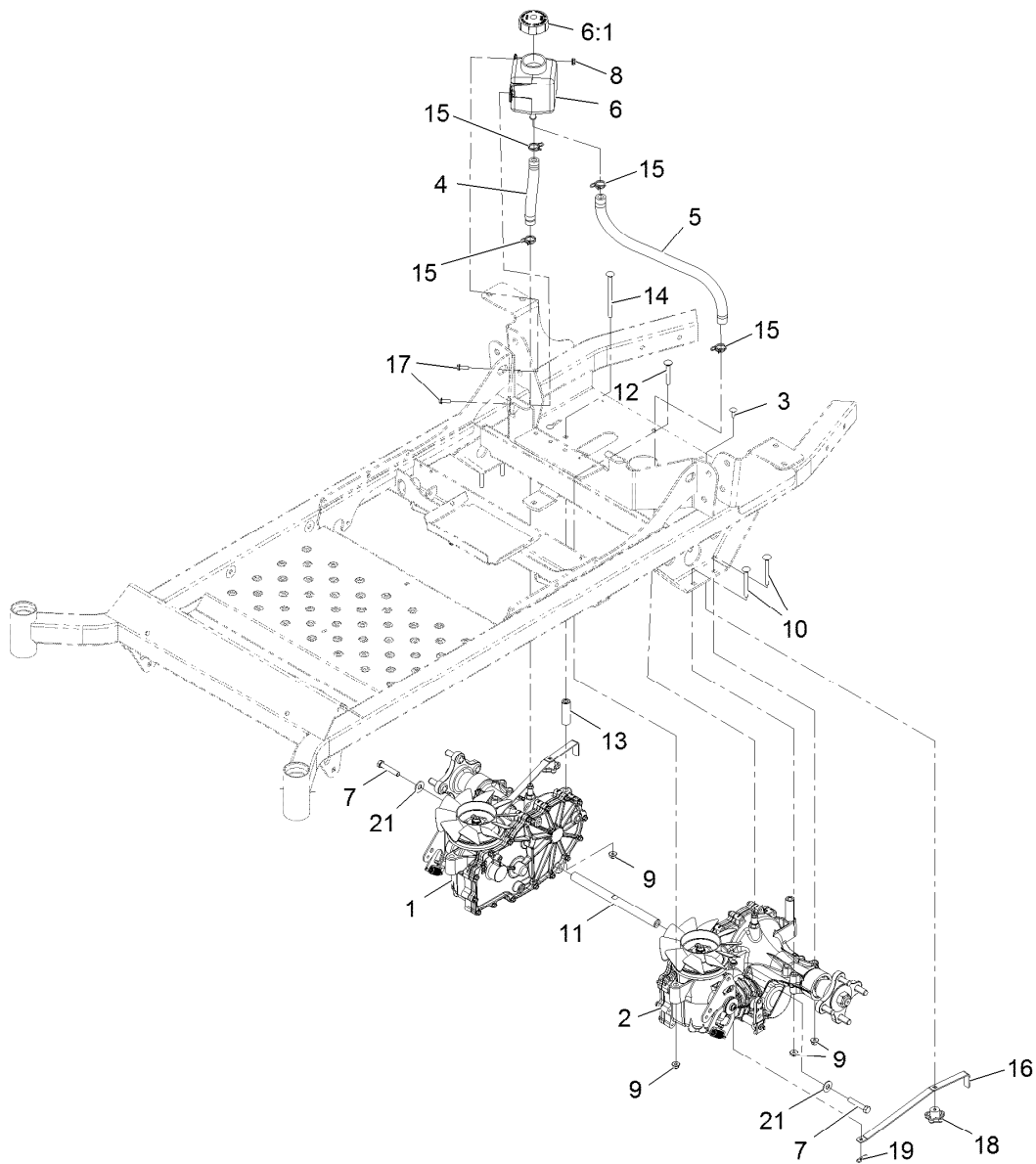
Ref.	Part Number	Qty.	Description	Ref.	Part Number	Qty.	Description
1		1	Engine-Kawasaki, Fx730V-S16-R ●■	13:1:1	237-42	1	O-Ring
2	3217-5	1	Nut-Hex	14	126-0973	1	ASM-Idler Arm W/Bearings
3	3256-22	1	Washer-Flat	14:2	1-513034	2	Sleeve-Bearing
4	116-1946	1	Sheave-Pump, Drive	14:3	302-40	1	Fitting-Grease, 90 DEG
5	1-807259	1	Key	14:4	32144-11	1	Screw-HWHTF
6	116-4773-03	1	Anchor-Clutch	15	116-2456	2	Pulley-Flat, 3.50 Dia
7	116-1604	1	Clutch	16	1-603384	1	Bushing-Pivot, Idler
8	109-6919	1	Washer-Clutch	17	3256-4	1	Washer-Flat
9	1-603610	2	Washer-Spring	18	323-15	1	Screw-HH
10	109-9761	1	Screw-HH ◆	19	3231-5	2	Screw-CARR
11	98-5975	4	Washer-Belleville	20	104-8301	3	Nut-Flange, NI
12	323-8	4	Screw-HH	21	1-603402	1	Spring-Extension
13	116-4924	1	Engine Oil Drain Hose ASM ▲	22	115-9613	1	V-Belt
13:1	353-508	1	Plug-HH	23	117-7256	1	Muffler-Kawasaki
				24	1-653313	2	Gasket-Exhaust

● Not serviced separately

▲ Use a Teflon Pipe Sealant or equivalent on threads.

◆ Use Pro-Lock, Nut Type (P/N 1-840022, .5ml tube) on threads.

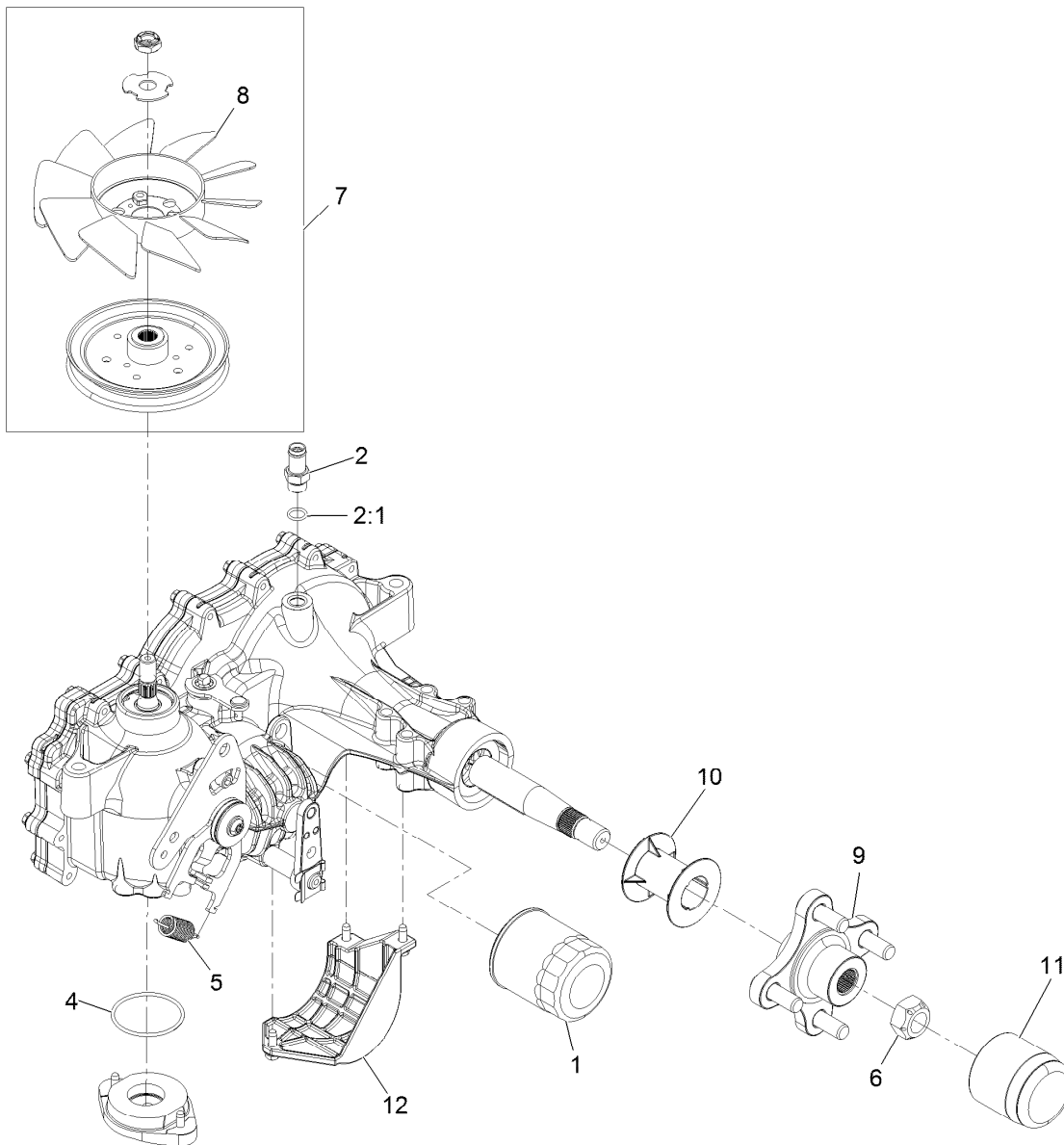
■ Obtain parts from [www.kawpowerepc.com](http://www.kawpowerepc.com)



## Hydraulic Assembly

Ref.	Part Number	Qty.	Description	Ref.	Part Number	Qty.	Description
1	116-6007	1	Transaxle ASM	11	116-6833	1	Shaft-Spacer
2	116-6008	1	Transaxle ASM	12	3230-7	2	Bolt-CARR
3	3229-1	2	Bolt-CARR	13	116-5809	2	Spacer-Hydro
4	116-5641	1	Hose-Hydraulic	14	3230-30	2	Screw-CARR
5	116-5642	1	Hose-Hydraulic	15	126-0327	4	Clamp-Hose
6	109-2250	1	Vent-Tank, Hydro	16	109-5395	2	Arm-Hydro Bypass
6:1	109-3320	1	Cap-Reservoir, HYD	17	32105-15	2	Screw-HWH
7	94-7972	2	Screw-HH W/Loctite ●	18	108-6402	2	Knob-Handle
8	104-7201	2	Nut-HF	19	1-806003	2	Pin-Cotter
9	104-8300	8	Nut-Flange, NI	21	3256-4	2	Washer-Flat
10	3230-9	4	Screw-CARR				

● Use Pro-Lock, Nut Type (P/N 1-840022, .5ml tube) on threads.

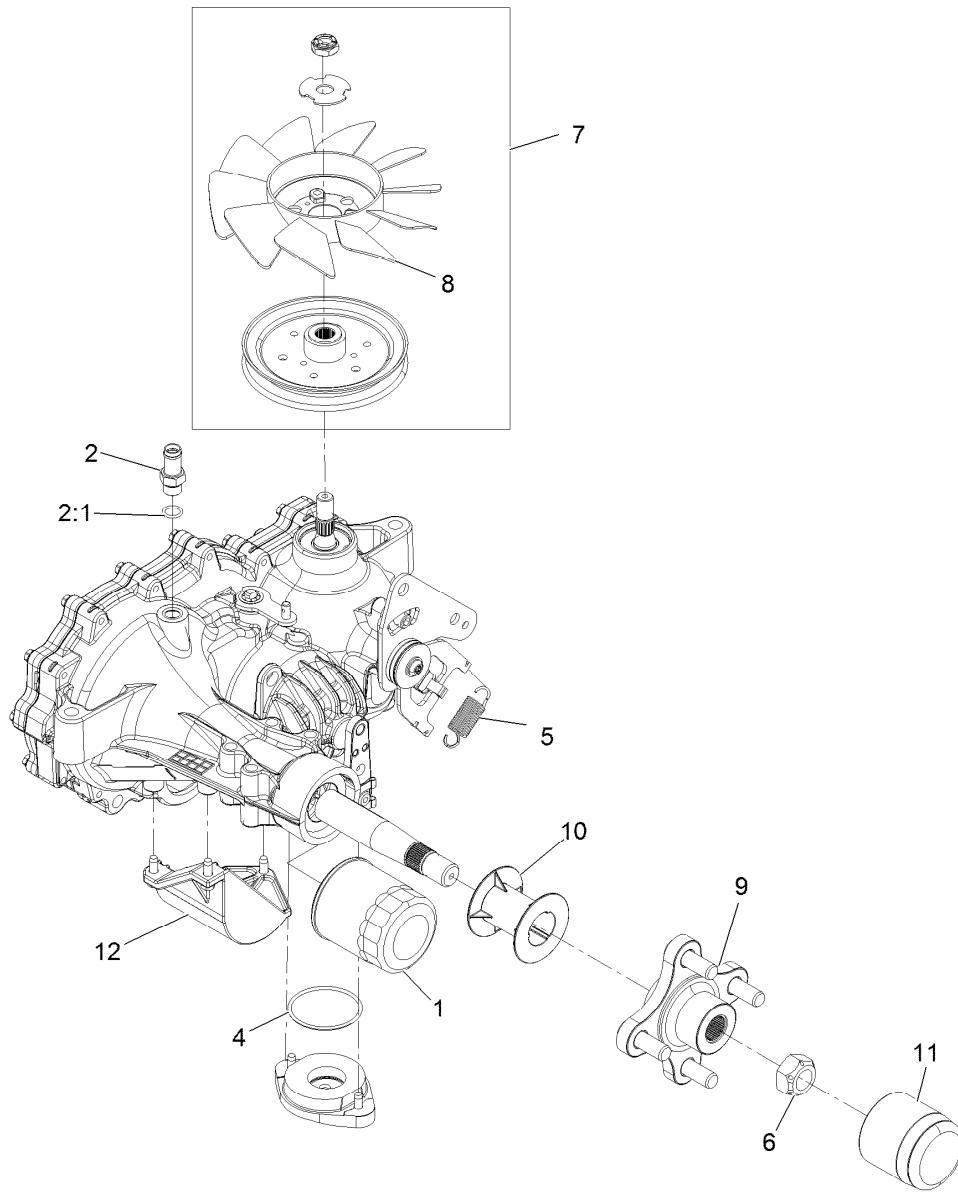


## LH Transaxle Assembly

<b>Ref.</b>	<b>Part Number</b>	<b>Qty.</b>	<b>Description</b>
1	109-3321	1	Filter-Hydraulic
2	109-3278	1	Adapter-Straight
2:1	237-42	1	O-Ring
4	109-3540	1	O-Ring-Charge Seal Cover
5	109-5592	1	Spring
6	109-3536	1	Nut-Hub
7	121-3247	1	Fan And Pulley Kit
8	114-8453	1	Fan-7.0
9	116-3872	1	Hub-Offset
10	116-6213	1	Tube-Axle 2.04
11	116-6214	1	Cap-Long Axle
12	120-7979	1	Guard-Filter, LH
99	109-3537	1	Seal Kit ●

● Not illustrated

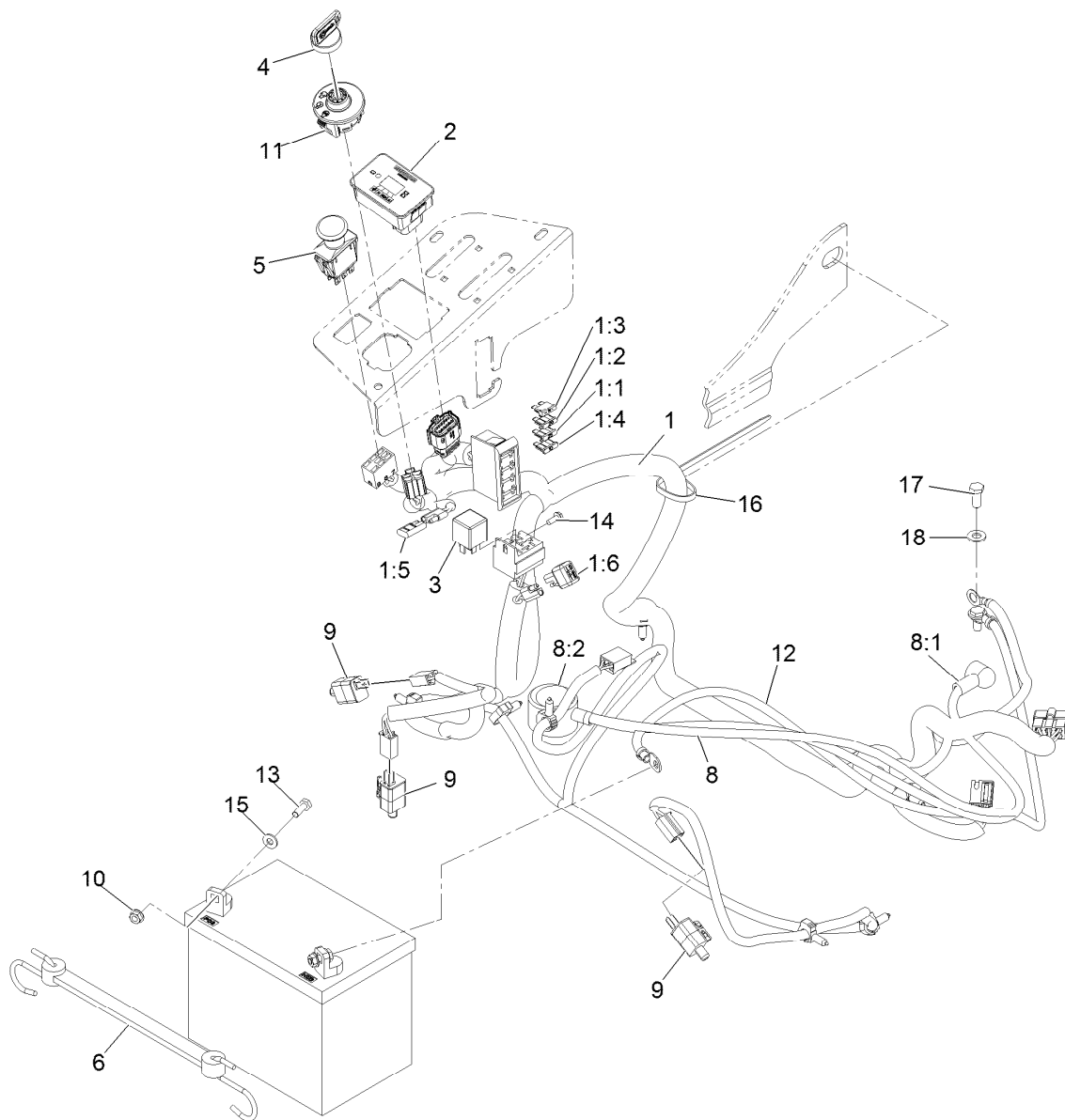




## RH Transaxle Assembly

<b>Ref.</b>	<b>Part Number</b>	<b>Qty.</b>	<b>Description</b>
1	109-3321	1	Element-Oil Filter, HYD
2	109-3278	1	Adapter-Straight
2:1	237-42	1	O-Ring
4	109-3540	1	O Ring-Seal
5	109-5592	1	Spring-Extension
6	109-3536	1	Nut-Hub
7	121-3247	1	Fan And Pulley Kit
8	114-8453	1	Fan-7.0
9	116-3872	1	Hub-Offset
10	116-6213	1	Tube-Axle 2.04
11	116-6214	1	Cap-Long Axle
12	120-7981	1	Guard-Filter, RH
99	109-3537	1	Seal Kit ●

● Not illustrated



## Electrical Assembly

Ref.	Part Number	Qty.	Description	Ref.	Part Number	Qty.	Description
1	116-4861	1	Harness, Wire ●	8:1	1-543393	1	Insulator-Solenoid
1:1	109102	1	Fuse-Blade, 25 Amp	8:2	109-2407	1	Insulator-Battery
1:2	1-816001	1	Fuse-Blade Type, 20 Amp	9	110-6765	3	Switch
1:3	109355	1	Fuse-Blade, 15 Amp	10	32128-33	2	Nut-Whizlock 1/4-20
1:4	218-578	1	Fuse-Blade, 10 Amp	11	117-2221	1	Switch-Ignition
1:5	116-0053	1	Cap-Plug	12	117-7240	1	Cable-Battery, Negative
1:6	103-3895	1	Diode-Tvs	13	321-4	2	Screw-HH 1/4-20 X 3/4
2	116-5609	1	Module ASM	14	32144-1	1	Screw-HWH #10-24 X 1/2 Taptite
3	1-643275	1	Relay-12Vdc 40 Amp	15	3256-22	2	Washer-1/4 Sae
4	1-603511	1	Key-Ignition	16	1-303335	1	Tie-Cable 7 15/16 (Large)
4	103-2106	1	Key-Exmark Logo	17	33114-020	1	Screw-HH M8-1.25 X 20Mm
5	103-5221	1	Switch-PTO	18	33094-00	1	Washer
6	104-2466	1	Holddown-Battery				
8	109-7621	1	Positive Battery Cable ASM				

● Use dielectric grease on all unsealed connectors and terminals only. Do not apply in sealed connectors.

# EXMARK® MAINTENANCE

## MAXIMIZE THE PERFORMANCE OF YOUR EXMARK.

### **4-CYCLE PREMIUM ENGINE OIL**

Part No. 116-3373

Both SAE 30 and SAE 10W-30 in one bottle.

Contains increased levels of zinc and phosphorus for better lubricity.

No Viscosity Index Improvers that tend to shear down in high heat.

Synthetic formulation.

Gas & Diesel compatible.

Anti-corrosion additives.

API 'SL' and JASO rated with wet clutch compatibility for other machines.

### **PREMIUM HYDRO OIL**

Part No. 109-9828

Commercial quality for tough, high-heat conditions.

Designed specifically for zero-turn mower hydraulic systems.

Superior shear resistance under heavy loads.



Available from your local Exmark dealer. Find your closest dealer at [exmark.com](http://exmark.com)

## EXMARK ACCESSORIES AND OPTIONS\*

### MID-MOUNT RIDING ACCESSORIES AND OPTIONS

CUSTOM RIDE SEAT SUSPENSION SYSTEM	OPERATOR CONTROLLED DISCHARGE
FULL SUSPENSION SEAT	SUN SHADE
DECK LIFT ASSIST KIT	TRASH CONTAINER
HITCH KIT	TURF STRIPER
LIGHT KIT	ULTRA VAC COLLECTION SYSTEM
12V POWER PORT	ULTRA VAC QUICK DISPOSAL SYSTEM
MICRO-MULCH SYSTEM	

### OUT-FRONT RIDING ACCESSORIES AND OPTIONS

CUSTOM RIDE SEAT SUSPENSION SYSTEM	SNOW BLADE
DUAL-TAIL WHEEL	SNOWBLOWER
FLOOR PAN EXTENDER	SUN SHADE
HITCH KIT	TRASH CONTAINER
LIGHT KIT	ULTRA VAC COLLECTION SYSTEM
MICRO-MULCH SYSTEM	ULTRA VAC QUICK DISPOSAL SYSTEM
ROLL OVER PROTECTION SYSTEM (ROPS)	WEATHER CAB

### WALK-BEHIND ACCESSORIES AND OPTIONS

GRASS CATCHER	TURF STRIPER
MICRO-MULCH SYSTEM	STANDON

\*Some accessories and options not available for some models.

Place Model No. and Serial No.  
Label Here (Included in the Literature  
Pack) or Fill in Below

Model No. \_\_\_\_\_

Serial No. \_\_\_\_\_

Date Purchased \_\_\_\_\_

Engine Model No. and Spec. No. \_\_\_\_\_

Engine Serial No. (E/No) \_\_\_\_\_

© 2015 Exmark Mfg. Co., Inc.  
Industrial Park Box 808  
Beatrice, NE 68310  
All Rights Reserved

Part No. 4502-140 Rev. A  
(402) 223-6285  
Fax (402) 223-5489  
Printed in the USA.

