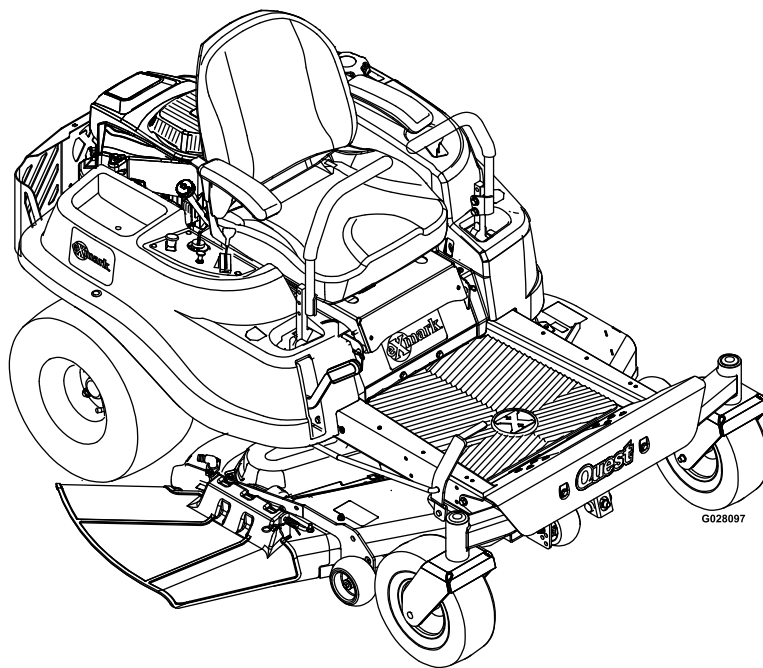




QUEST®

Model No. QTS708GEM42200—Serial No. 31500000 and Up

Picture below may not reflect actual product.



Parts Manual

Ordering Replacement Parts

To order replacement parts, please supply the part number, the quantity, and the description of each part desired.

Understanding Reference Numbers

Each identified part in an illustration has a reference number. The reference number for a part also appears in the parts list, along with other information about the part.

This catalog uses two special reference number formats, one to indicate parts in a service assembly and another to indicate the quantity of a given part in an illustration.

Service Assembly Reference Numbers

Parts in service assemblies have reference numbers in the form a:b. The a represents the reference number of the entire service assembly and the b represents a sequential number unique to each part within the service assembly.

For example, a wheel assembly might be identified by reference number 6, the tire by 6:1, the valve by 6:2, and the wheel by 6:3. When you order the assembly identified by reference number 6, you receive all parts identified by reference numbers 6:1, 6:2, and 6:3. However, you may also order any part individually. Reference numbers of this type appear in illustration and in parts lists.

Reference Numbers Indicating Quantity

In an illustration, if a reference number indicates more than one part, the reference number has the form nX y. The n represents the quantity of the part, the X is the multiplication symbol, and the y represents the reference number.

For example, in an illustration, the reference number 2X 37 means that two of the parts identified by reference number 37 are indicated.

List of Abbreviations

AR: as required	HLH: hex lag head	PTH: phillips truss head
ASM: assembly	HOC: height-of-cut	PTO: power-take-off
BBC: blade brake control	HP: high pressure	RH: right hand
BHTF: button head thread forming	HSBH: hex socket button head	ROPS: roll-over protection system
CARR: carriage	HSFH: hex socket flat head	RRB: rear roller brush
CCW: counter clockwise	HSH: hex socket head	SFH: slotted fillister head
CW: clockwise	HWH: hex washer head	SHH: slotted hex head
DEG: degrees	HWHTF: hex washer head thread forming	SHWH: slotted hex washer head
DPA: Dual Point Adjustment	HYD: hydraulic	SPH: slotted pan head
ECM: electronic control module	LH: left hand	SQH: square head
EXT: external	LP: low pressure	SRH: slotted round head
FH: flat head	LPG: Liquefied Petroleum Gas	STD: standard
GA: gauge	NI: nylon insert	TAP: self tapping
HD: heavy-duty	NPTF: national pipe thread fine	TTH: torx truss head
HF: hex flange	PFH: phillips flat head	
HH: hex head	PPH: phillips pan head	
HHF: hex head flange	PPHTF: phillips pan head thread forming	
HHFTF: hex head flange thread forming	PRH: phillips round head	
HJ: hex jam		

Touch Up Paint

Exmark black touch up spray paint – gloss black.

Exmark red touch up paint (spray paint – P/N 1-850337 - .6 oz liquid bottle – P/N 103-9140).

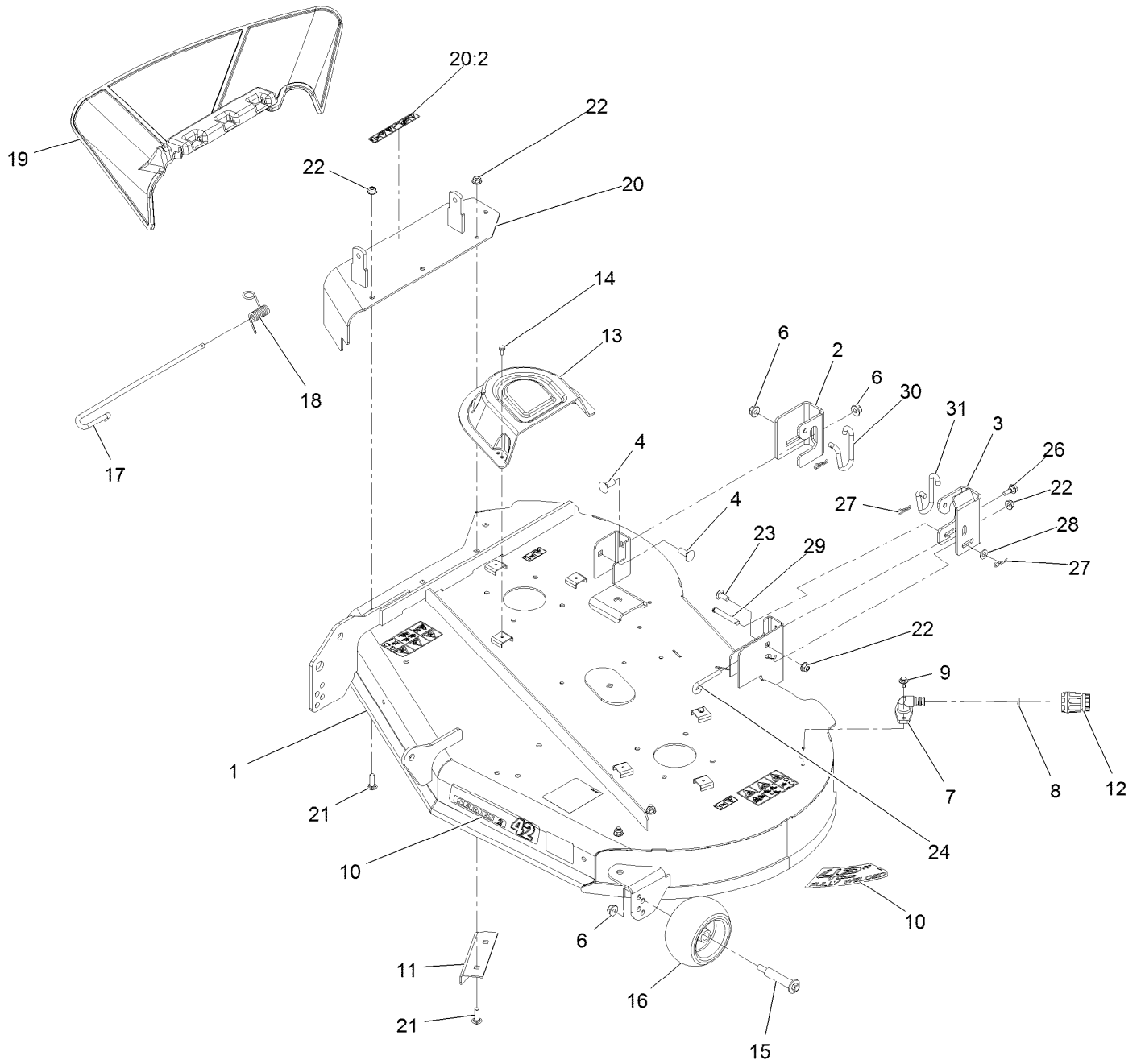


If your Exmark dealer does not have the Exmark part in stock, Exmark will get the parts to the dealer the next business day or the part will be FREE Guaranteed!! (Some restrictions apply. See your participating Exmark Dealer for details.)

Contents

Deck Assembly	4
42 Inch Deck and Decal Assembly	6
42 Inch Belt, Blade, and Spindle Assembly	8
Main Frame and Front Axle Assembly	10
Caster Wheel Assembly	12
Deck Lift Assembly	14
Motion Control Assembly	16
Brake Assembly	18
Seat Assembly	20
Seat Assembly (cont)	22
Controls and Fuel Tank Assembly	24
Fuel Delivery Assembly	26
Engine Assembly	28
Fuel System Assembly Engine Assembly No. 127-9041	30
Carburetor Assembly No. 127-9249	32
Air Intake and Filtration Assembly Engine Assembly No. 127-9041	34
Ignition and Electrical Engine Assembly No. 127-9041	36
Crankcase Assembly Engine Assembly No. 127-9041	38
Governor Control Assembly Engine Assembly No. 127-9041	40
Piston and Cylinder Head Assembly Engine Assembly No. 127-9041	42
Blower Housing Assembly Engine Assembly No. 127-9041	44
Gasket and Seal Kit Engine Assembly No. 127-9041	46
Clutch Assembly	48
Belt and Idler Assembly	50
Hydro Transaxle Drive and Rear Wheel Assembly	52
Left hand Hydro Transaxle Assembly No. 119-3340	54
Right Hand Hydro Transaxle Assembly No. 119-3341	56
Electrical Assembly	58
Fuse and Wire Harness Assembly	60

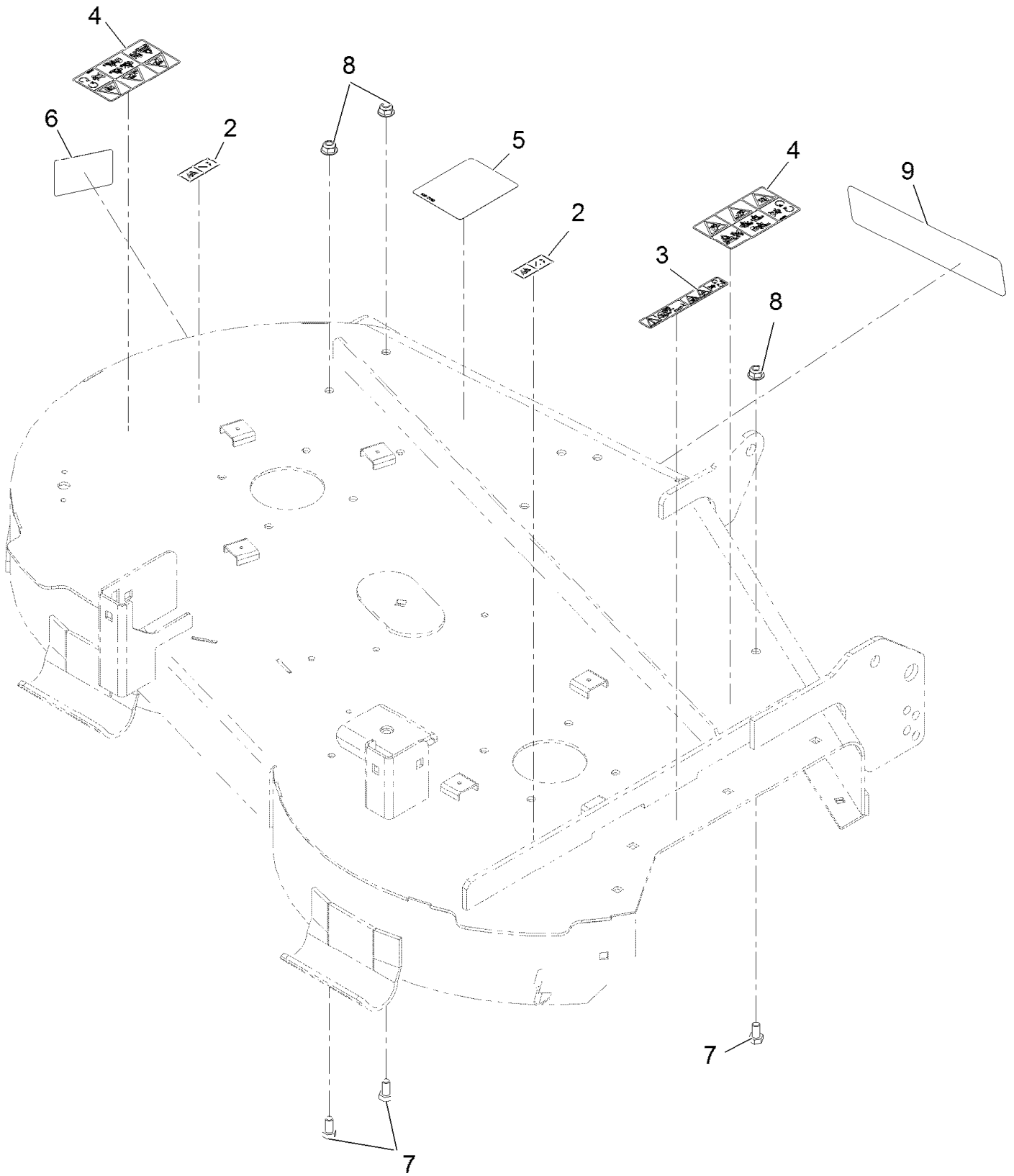
Deck Assembly



Deck Assembly (continued)

<i>Ref.</i>	<i>Part Number</i>	<i>Qty.</i>	<i>Description</i>	<i>Ref.</i>	<i>Part Number</i>	<i>Qty.</i>	<i>Description</i>
1	131-3610	1	42" Deck And Decal ASM	17	109-8854	1	Pin-Chute
2	131-4138	1	Bracket-Hanger, RH	18	121-2983	1	Spring-Torsion
3	131-1091	1	Bracket-Hanger, LH	19	121-0739	1	Deflector-Discharge
4	3231-2	2	Bolt-Carriage 3/8-16 X 1	20	131-3961	1	Cover ASM W/Decal
6	104-8301	4	Nut-Nyloc 3/8-16 Flg	20:2	93-7009	1	Decal-Danger
7	95-2747	1	Fitting-Washout	21	3230-22	4	Bolt-Carriage 5/16-18 X 1 Sp
8	46-6290	1	O-Ring	22	104-8300	6	Nut-Nyloc 5/16-18 Flg
9	46-8560	2	Screw-HHF 1/4-20 X 1/2	23	3230-23	1	Bolt-Carriage 5/16-18 X 3/4 Short Neck
10	126-1771	1	Decal-Series 2 - 42	24	131-0955	1	Rod-Deck Level
11	120-7951-03	1	Baffle-Cutoff	26	120-7024	1	Screw-Shoulder, HHF
12	95-3270	1	Connector-Hose	27	1-806003	3	Hairpin-Cotter
13	108-7889	2	Cover-Belt	28	3256-23	1	Washer-5/16 Sae
14	32144-1	6	Screw-HWH #10-24 X 1/2 Taptite	29	110-0618	1	Pin-Clevis
15	112-3977	2	Bolt-HH Shoulder 3/8-16 X 3.79	30	131-8734	1	Link-Deck Retention (RH)
16	1-603299	2	Roller-Scalp, Anti	31	131-4131	1	Link-Deck Retention (LH)

42 Inch Deck and Decal Assembly

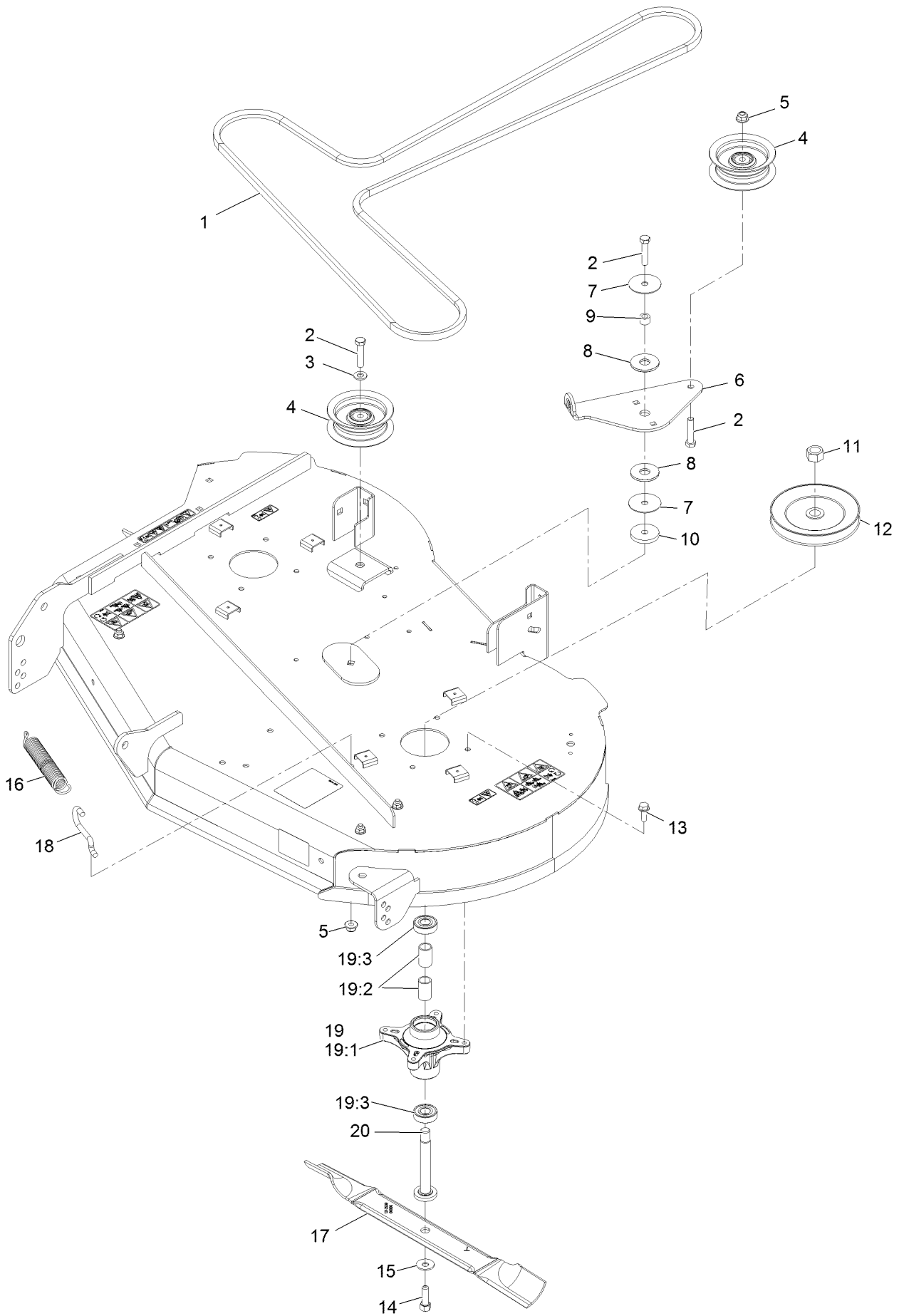


42 Inch Deck and Decal Assembly (continued)

<i>Ref.</i>	<i>Part Number</i>	<i>Qty.</i>	<i>Description</i>
2	114-1606	2	Decal-Danger
3	93-7009	1	Decal-Danger
4	110-6691	2	Decal-Danger
5	105-7015	1	Decal-Routing, Belt

<i>Ref.</i>	<i>Part Number</i>	<i>Qty.</i>	<i>Description</i>
6	112-9840	1	Decal-Scalp, Anti
7	322-2	3	Screw-HH 5/16-18 X 5/8
8	104-8300	3	Nut-Nyloc 5/16-18 Flg
9	126-1771	1	Decal-Series 2 - 42

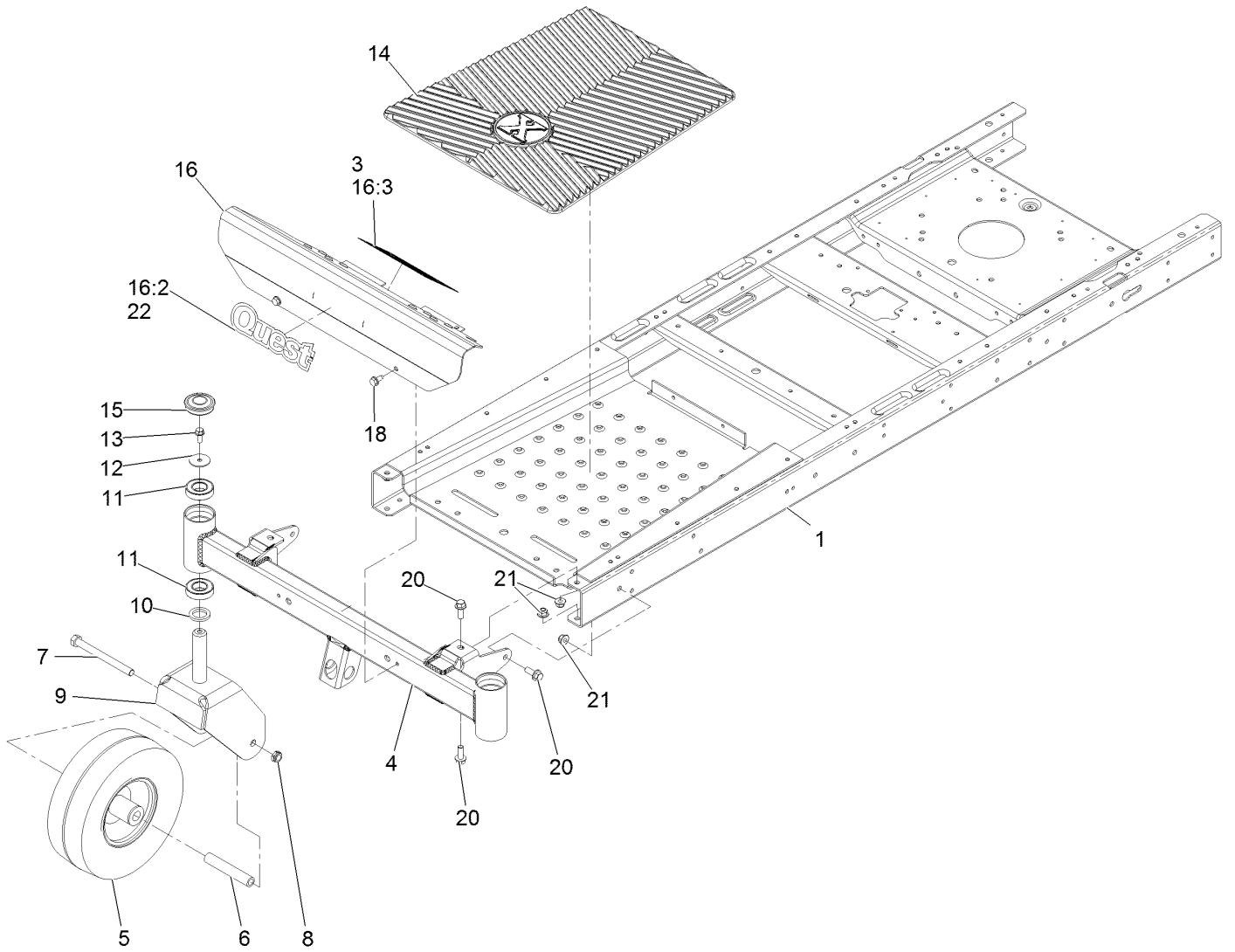
42 Inch Belt, Blade, and Spindle Assembly



42 Inch Belt, Blade, and Spindle Assembly (continued)

<i>Ref.</i>	<i>Part Number</i>	<i>Qty.</i>	<i>Description</i>	<i>Ref.</i>	<i>Part Number</i>	<i>Qty.</i>	<i>Description</i>
1	119-8819	1	V-Belt	13	32144-41	8	Screw-Taptite
2	323-9	3	Screw-HH	14	26-0671	2	Screw-HH
3	3256-24	1	Washer-Flat	15	3290-465	2	Washer-Belleville
4	106-2175	2	Pulley-Idler, Flat	16	106-2177	1	Spring-Extension
5	104-8301	2	Nut-Flange, NI	17	131-3939-03	2	Blade-High Lift, 21.60 In
6	114-8540	1	Arm-Idler	18	88-5970	1	Hook-Return, Spring
7	120-2229	2	Washer	19	121-0751	2	Spindle ASM
8	114-0463	2	Washer-Friction, Composite	19:1	117-7267	1	Spindle
9	115-4986	1	Spacer	19:2	120-7935	2	Spacer
10	110-9981	1	Washer-Plain	19:3	100-1048	2	Bearing-Ball
11	3219-6	2	Nut-Hex	20	117-7268	2	Shaft-Spindle
12	125-5574	2	Pulley				

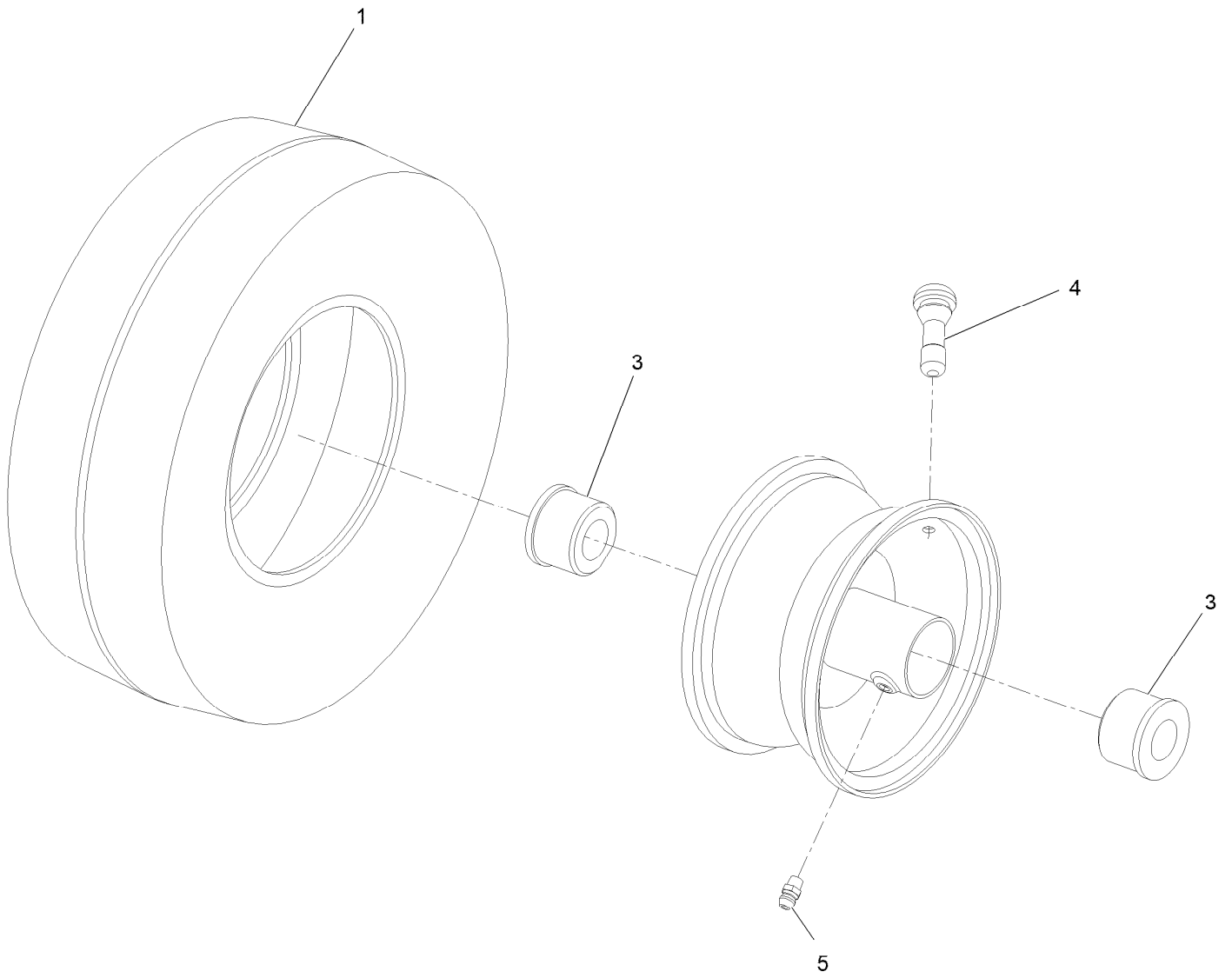
Main Frame and Front Axle Assembly



Main Frame and Front Axle Assembly (continued)

<i>Ref.</i>	<i>Part Number</i>	<i>Qty.</i>	<i>Description</i>	<i>Ref.</i>	<i>Part Number</i>	<i>Qty.</i>	<i>Description</i>
1	127-3444-01	1	Frame ASM	13	3234-47	2	Screw-HH Flg 5/16-18 X 3/4
3	132-0869	1	Decal-Danger	14	120-5457	1	Mat-Floor
4	125-1742-01	1	Axle-Front, Narrow	15	116-4348	2	Cap-Grease
5	130-0736	2	Caster Wheel ASM	16	132-0889	1	Footrest ASM
6	104-3667	2	Spanner-Wheel	16:2	116-4218	1	Decal
7	325-22	2	Screw-HH 1/2-13 X 5 1/2	16:3	132-0869	1	Decal-Danger
8	3296-45	2	Nut-Nyloc 1/2-13 Thin	18	32144-70	2	Screw-HWH 5/16-18 X 3/4 Tf
9	120-2266-01	2	Fork-Caster	20	3234-42	6	Screw HHF 3/8-16 X 1
10	117-7394	2	Washer-Thrust	21	104-8301	6	Nut-Nyloc 3/8-16 Flg
11	109-3678	4	Bearing-Ball	22	116-4218	1	Decal
12	3256-68	2	Washer-Flat				

Caster Wheel Assembly

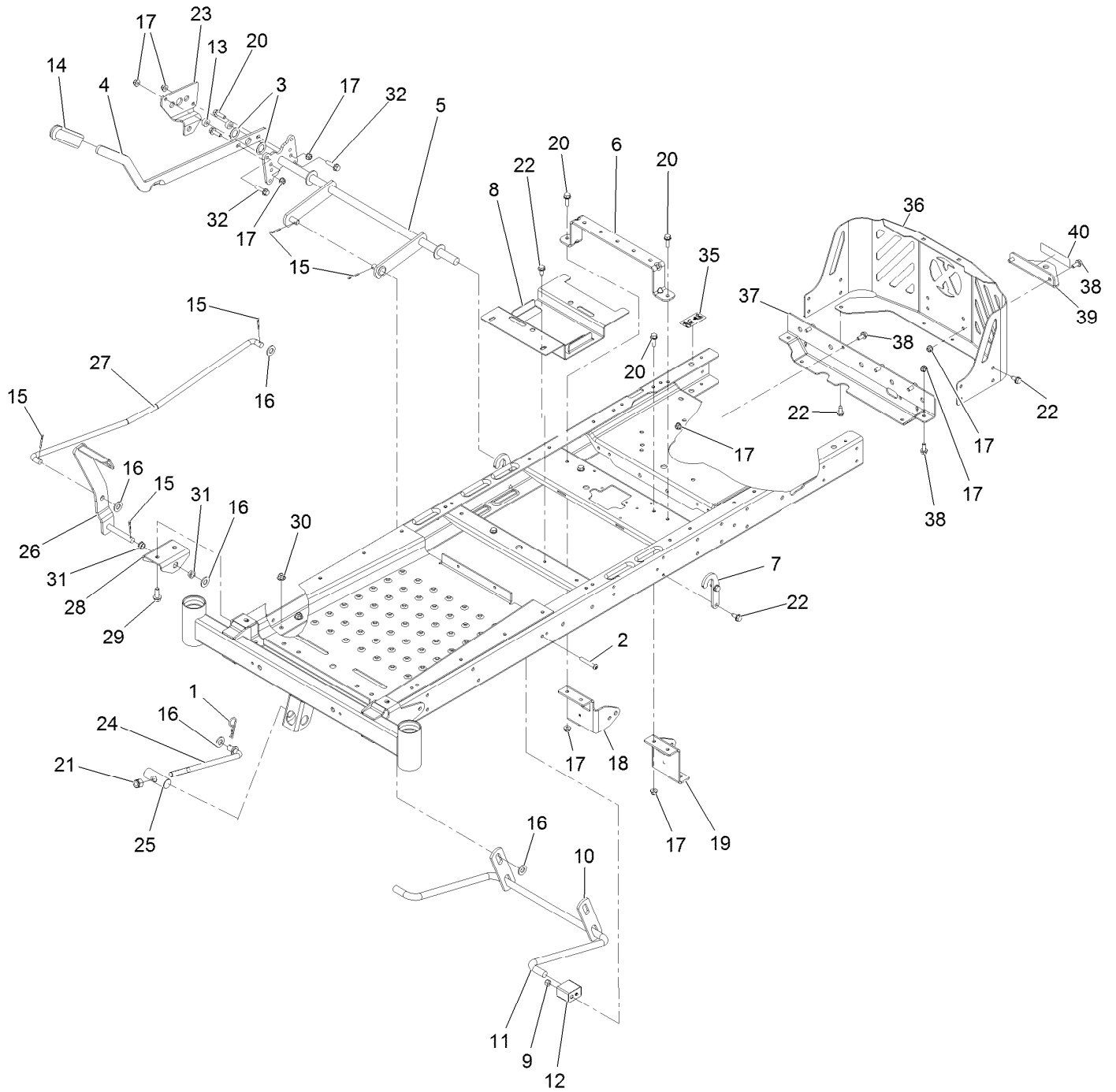


Caster Wheel Assembly (continued)

<i>Ref.</i>	<i>Part Number</i>	<i>Qty.</i>	<i>Description</i>	<i>Ref.</i>	<i>Part Number</i>	<i>Qty.</i>	<i>Description</i>
1	130-0735	1	Tire	5	302-5	1	Fitting-Grease
3	114-1640	2	Bushing-Flange	99	105-0844	1	Tube-Inner ●
4	232-27	1	Stem-Valve				

● Not illustrated

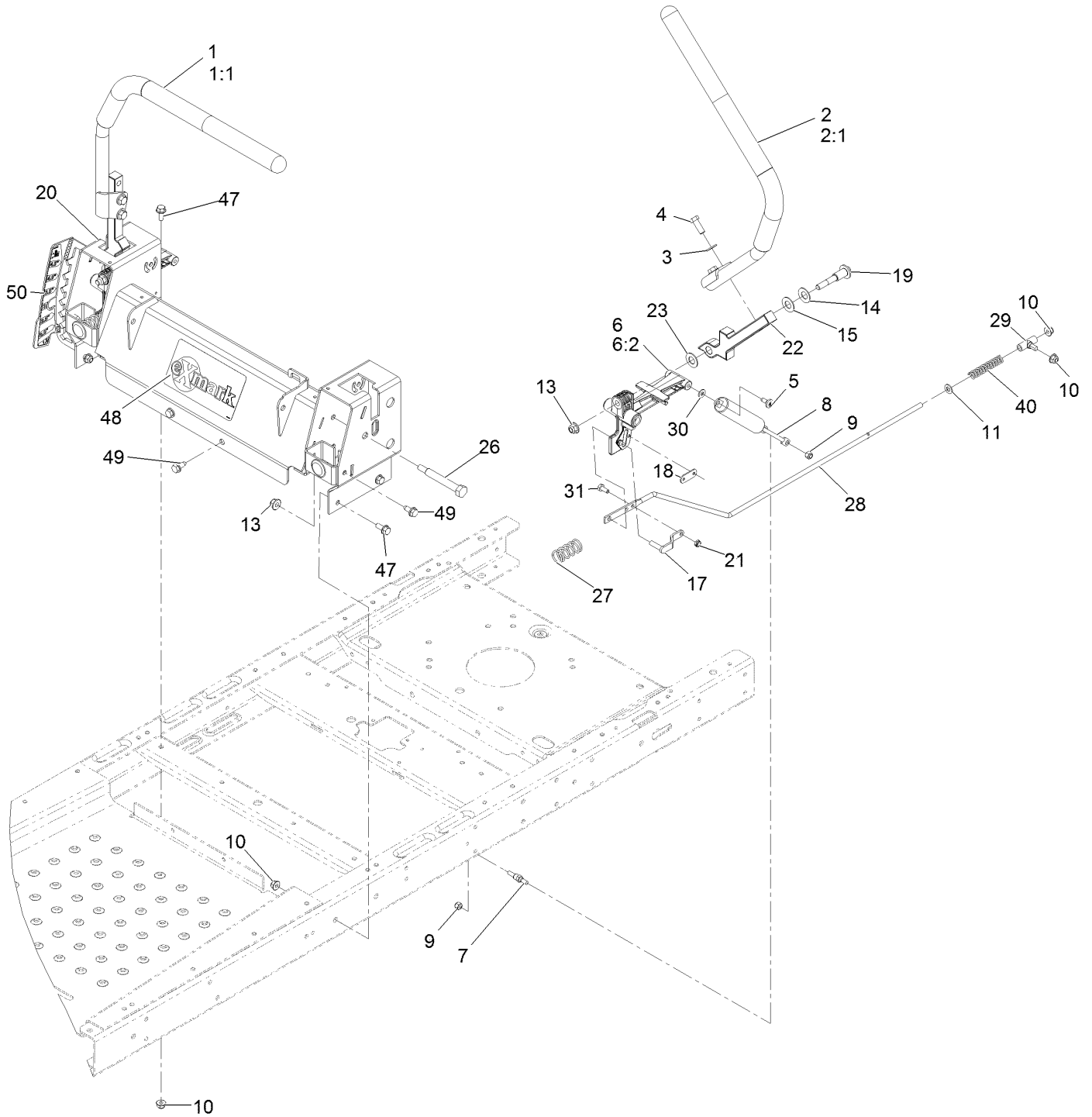
Deck Lift Assembly



Deck Lift Assembly (continued)

<i>Ref.</i>	<i>Part Number</i>	<i>Qty.</i>	<i>Description</i>	<i>Ref.</i>	<i>Part Number</i>	<i>Qty.</i>	<i>Description</i>
1	1-806005	1	Hairpin-Cotter	22	32144-70	16	Screw-HWH 5/16-18 X 3/4 Tf
2	120-5499	2	Screw-HSBH	23	131-3933	1	Plate-Footlift
3	3-6498	2	Washer-Thrust	24	131-3945	1	Rod-Mount, Deck
4	119-3427-03	1	Lever-Lift	25	119-8810	1	Pin-Pivot
5	117-7346-03	1	Lift-Deck	26	120-2276-03	1	Pedal
6	119-3435-03	1	Brace-Seat, Rear	27	120-2242	1	Rod-Footlift
7	119-8875	2	Bracket-Lift	28	120-2294-03	1	Bracket-Footlift
8	131-0914-03	1	Bracket-Battery	29	3234-42	2	Screw HHF 3/8-16 X 1
9	3296-29	2	Nut-Nyloc 5/16-18	30	104-8301	2	Nut-Nyloc 3/8-16 Flg
10	108-7840	2	Link-Lift	31	256-156	2	Bushing-Flange
11	108-7839	1	Arm-Lift, Rear	32	3234-36	2	Screw-HH Flg 5/16-18 X 1 1/4
12	108-7845	2	Block-Pivot	35	121-2989	2	Decal-Bypass
13	121-1759	2	Spacer	36	131-1019-03	1	Guard-Engine, Narrow [black]
14	1-633268	1	Grip-Lever	37	130-6950-01	1	Crossmember-Rear, Narrow
15	3272-11	5	Pin-Cotter 1/8 X 1	38	3234-47	8	Screw-HH Flg 5/16-18 X 3/4
16	3256-26	6	Washer-1/2 Sae	39	117-1232-03	1	Bracket-Hitch
17	104-8300	14	Nut-Nyloc 5/16-18 Flg	40	131-4036	1	Decal
18	131-0901-01	1	Mount-Hydro, Front Right				
19	131-0902-01	1	Mount-Hydro, Front Left				
20	3234-29	4	Screw-HH Flg 5/16-18 X 1				
21	3296-19	1	Nut-Nyloc 1/2-20				

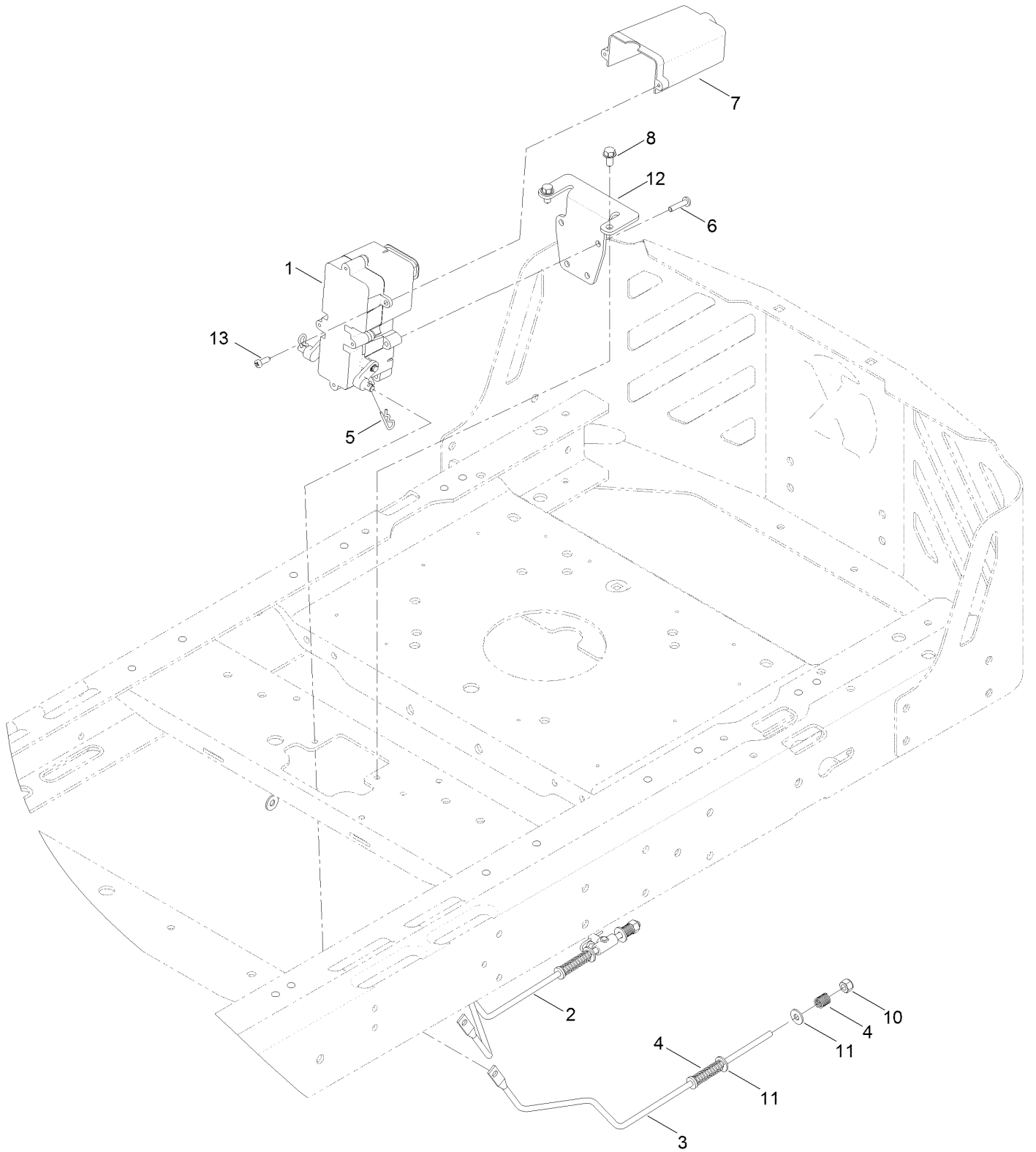
Motion Control Assembly



Motion Control Assembly (continued)

<i>Ref.</i>	<i>Part Number</i>	<i>Qty.</i>	<i>Description</i>	<i>Ref.</i>	<i>Part Number</i>	<i>Qty.</i>	<i>Description</i>
1	121-0731	1	Handle-Control, RH	18	119-8948	2	Plate-Stop, Hydro
1:1	121-0726	1	Grip	19	117-1198	2	Bolt-Pivot
2	121-0730	1	Handle-Control, LH	20	131-1093-03	1	Control Box ASM
2:1	121-0726	1	Grip	21	3296-56	2	Nut-Nyloc 1/4-20 Thin
3	3256-24	4	Washer-3/8 Sae	22	115-5098-05	2	Lever-Control
4	323-6	4	Screw-HH 3/8-16 X 1	23	120-2273	2	Washer-Nylon
5	120-7950	2	Screw-Shoulder	26	115-5099	2	Bolt-Pivot
6	119-3470	2	Actuator Arm ASM	27	119-8876	2	Spring-Return
6:2	256-156	2	Bushing-Flange	28	117-5388	2	Rod-Hydro
7	110-6810	2	Stud-Damper	29	119-8842	2	Mount-Rod, Hydro
8	131-0964	2	Damper	30	119-8952	2	Washer
9	3296-42	4	Nut-Nyloc 1/4-20	31	321-3	2	Screw-HH 1/4-20 X 5/8
10	104-8300	10	Nut-Nyloc 5/16-18 Flg	40	1-603807	2	Spring
11	3256-23	2	Washer-5/16 Sae	47	3234-47	6	Screw-HH Flg 5/16-18 X 3/4
13	104-8301	4	Nut-Nyloc 3/8-16 Flg	48	116-4219	1	Decal
14	119-8925	2	Washer-Belleville	49	32144-70	4	Screw-HWH 5/16-18 X 3/4 Tf
15	117-1240	2	Washer	50	119-8871	1	Decal
17	119-3303	2	Pin-Rod, Hydro				

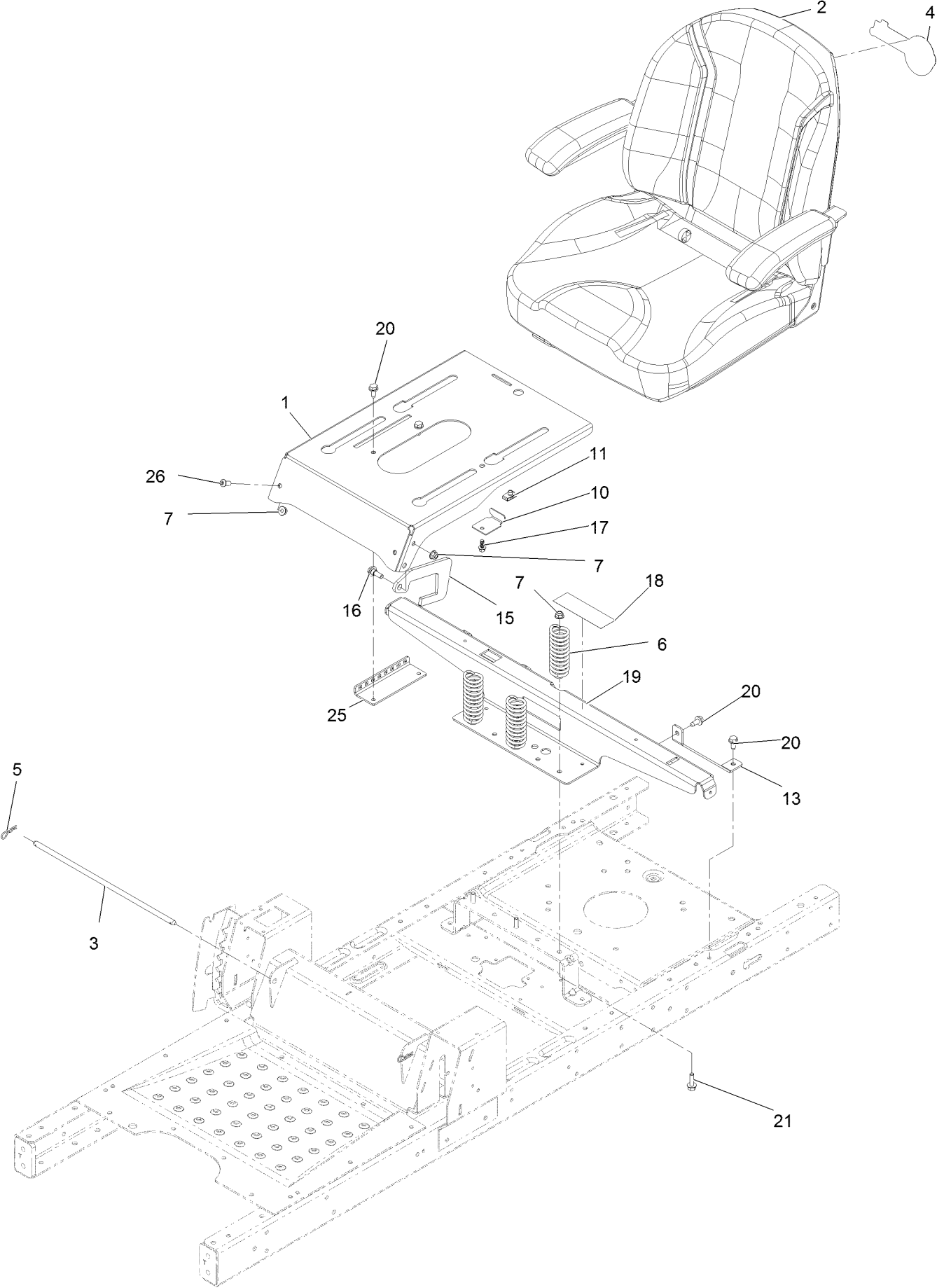
Brake Assembly



Brake Assembly (continued)

<i>Ref.</i>	<i>Part Number</i>	<i>Qty.</i>	<i>Description</i>	<i>Ref.</i>	<i>Part Number</i>	<i>Qty.</i>	<i>Description</i>
1	130-6892	1	Brake Box ASM	7	130-6974	1	Cover-Connector
2	121-2974	1	Rod-Brake, RH	8	32144-4	2	Screw-HWH
3	121-2975	1	Rod-Brake, LH	10	3296-42	2	Nut-Lock, NI
4	117-1169	4	Spring-Compression	11	119-8952	6	Washer
5	3290-307	2	Pin-Cotter	12	130-0790-03	1	Bracket-Mount, Brake
6	32144-36	4	Screw-PPH	13	94-4496	2	Screw-PPH

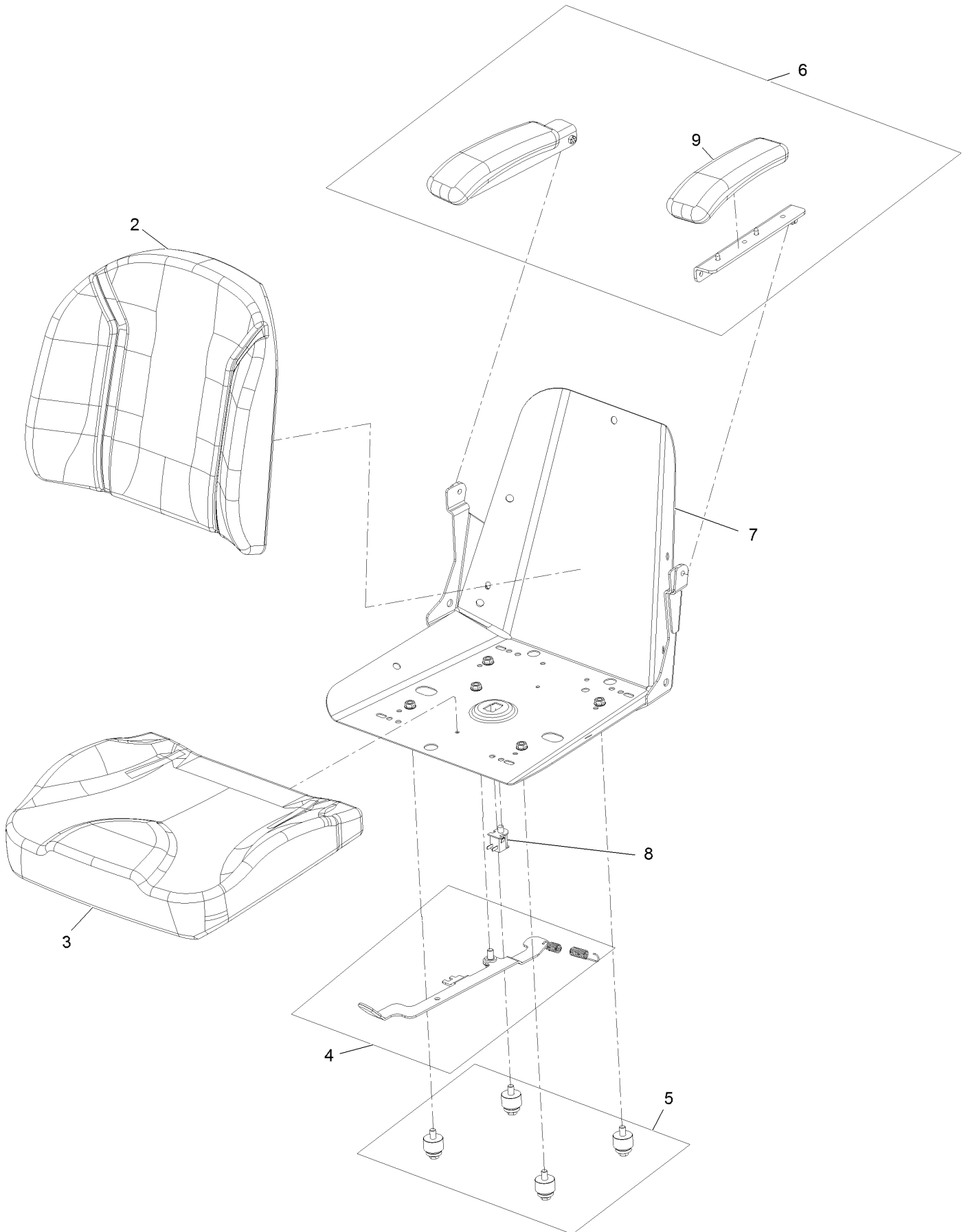
Seat Assembly



Seat Assembly (continued)

<i>Ref.</i>	<i>Part Number</i>	<i>Qty.</i>	<i>Description</i>	<i>Ref.</i>	<i>Part Number</i>	<i>Qty.</i>	<i>Description</i>
1	132-0919-03	1	Pan-Seat	16	116-2670	1	Screw-Shoulder HHF 5/16-18 X .96
2	131-4148	1	Seat ASM, Exmark	17	99-6810	1	Screw-HH 1/4-20 X 5/8
3	119-3433	1	Rod-Pivot, Narrow	18	106-8717	1	Decal-Service
4	120-5464	1	Decal	19	131-1040-03	1	Support-Pod
5	3290-250	2	Pin-Cotter	20	32144-70	6	Screw-HWH 5/16-18 X 3/4 Tf
6	92-7054	3	Spring-Compression	21	3234-29	3	Screw-HH Flg 5/16-18 X 1
7	104-8300	6	Nut-Nyloc 5/16-18 Flg	25	131-4008-03	1	Bracket-Latch, Seat
10	131-1038	1	Bracket-Stop, Seat	26	131-4080	2	Screw-HSBH
11	107069	1	Nut-Retainer-Panel 1/4-20				
13	119-3431-03	2	Support-Tank, Rear				
15	131-3994	1	Plate-Stop				

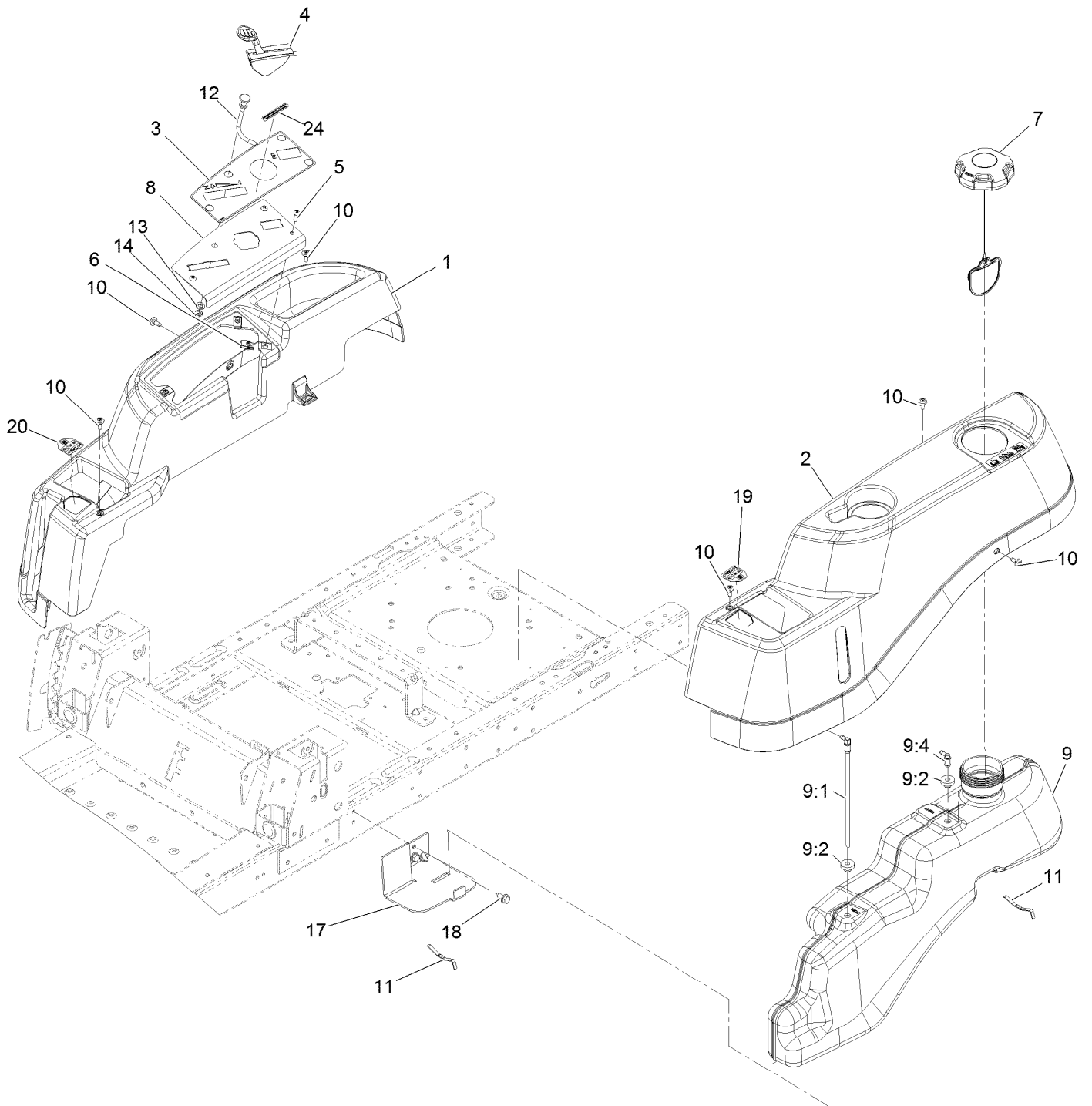
Seat Assembly (cont)



Seat Assembly (cont) (continued)

<i>Ref.</i>	<i>Part Number</i>	<i>Qty.</i>	<i>Description</i>	<i>Ref.</i>	<i>Part Number</i>	<i>Qty.</i>	<i>Description</i>
2	131-4150	1	Cushion-Seat, Back	6	131-4155	1	Armrest Kit
3	131-4152	1	Cushion-Seat, Bottom	7	131-4156	1	Shell
4	131-4153	1	Track ASM	8	82-2190	1	Switch-Bail
5	131-4154	1	Bushing ASM	9	110-4163	2	Cushion-Rest, Arm

Controls and Fuel Tank Assembly



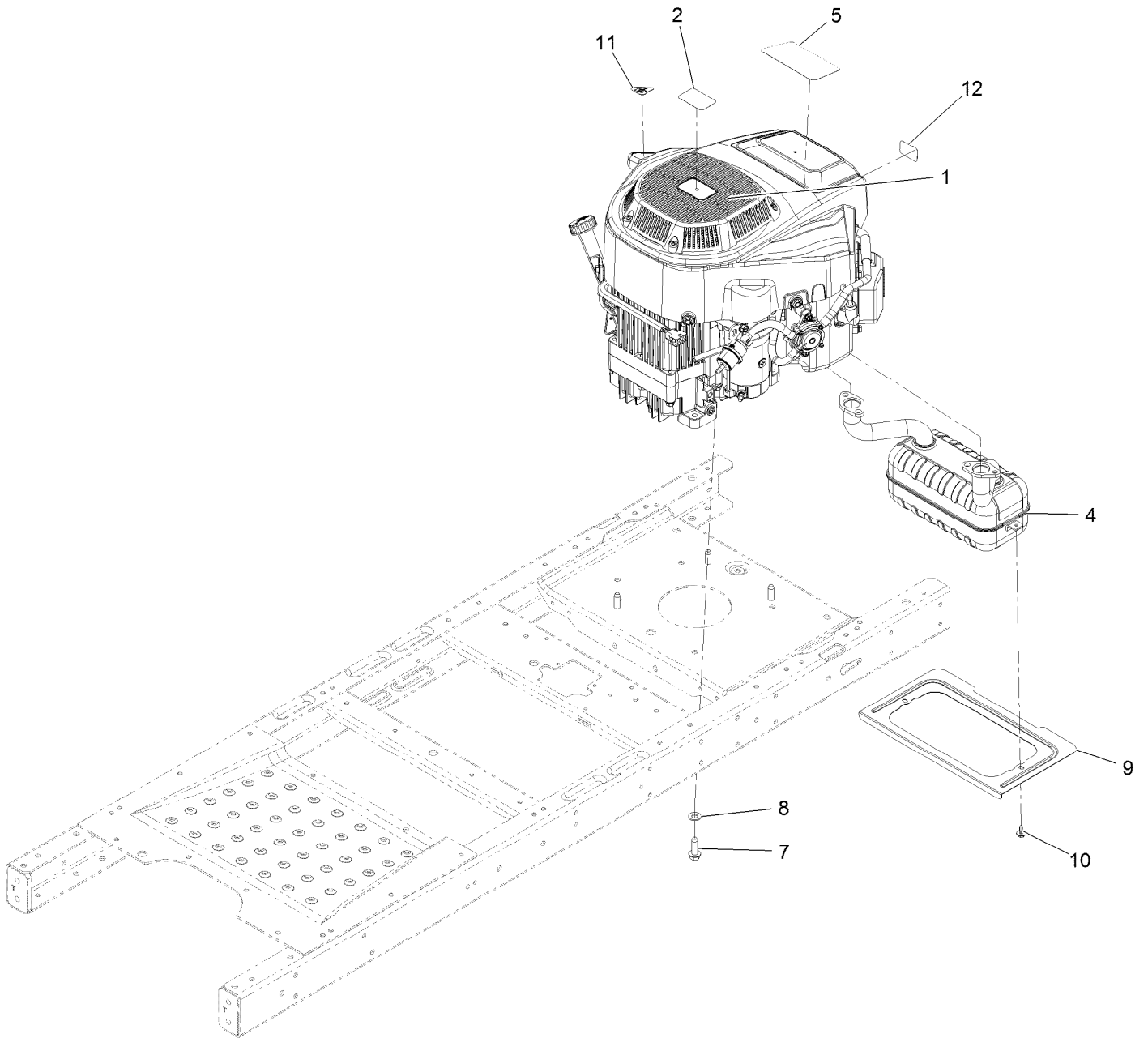
Controls and Fuel Tank Assembly (continued)

<i>Ref.</i>	<i>Part Number</i>	<i>Qty.</i>	<i>Description</i>	<i>Ref.</i>	<i>Part Number</i>	<i>Qty.</i>	<i>Description</i>
1	119-8961	1	Pod-RH	10	120-7950	6	Screw-Shoulder
2	119-8960	1	Pod-LH	11	609830	2	Spring
3	121-0772	1	Decal-Panel, Control	12	112-9753	1	Cable-Choke
4	120-2214	1	Cable-Throttle	13	3253-21	1	Washer-Lock 3/8
5	3258-166	3	Screw-PPH 1/4-20 X 3/4	14	3220-3	1	Nut-Jam 3/8-24
6	107069	3	Nut-Retainer-Panel 1/4-20	17	119-3476-03	1	Support-Tank, Front
7	120-5461	1	Cap-Fuel, Ratcheting	18	32144-70	2	Screw-HWH 5/16-18 X 3/4 Tf
8	119-3378-03	1	Plate-Control	19	119-8814	1	Decal-Control Lever, LH
9	119-3324	1	Fuel Tank ASM	20	119-8815	1	Decal-Control Lever, RH
9:1	121-0793	1	Connector-Elbow, 90 DEG	24	132-0904	1	Decal-Shutdown
9:2	46-6560	2	Bushing				
9:4	117-7400	1	Fitting-Plastic				

Fuel Delivery Assembly (continued)

<i>Ref.</i>	<i>Part Number</i>	<i>Qty.</i>	<i>Description</i>	<i>Ref.</i>	<i>Part Number</i>	<i>Qty.</i>	<i>Description</i>
3	109-0281	1	Hose-Fuel	10	117-5399	1	Adaptor-Orifice
8	2412-98	3	Clamp-Hose	11	110-1876	1	Hose-Fuel
9	614249	1	Tie-Cable				

Engine Assembly



Engine Assembly (continued)

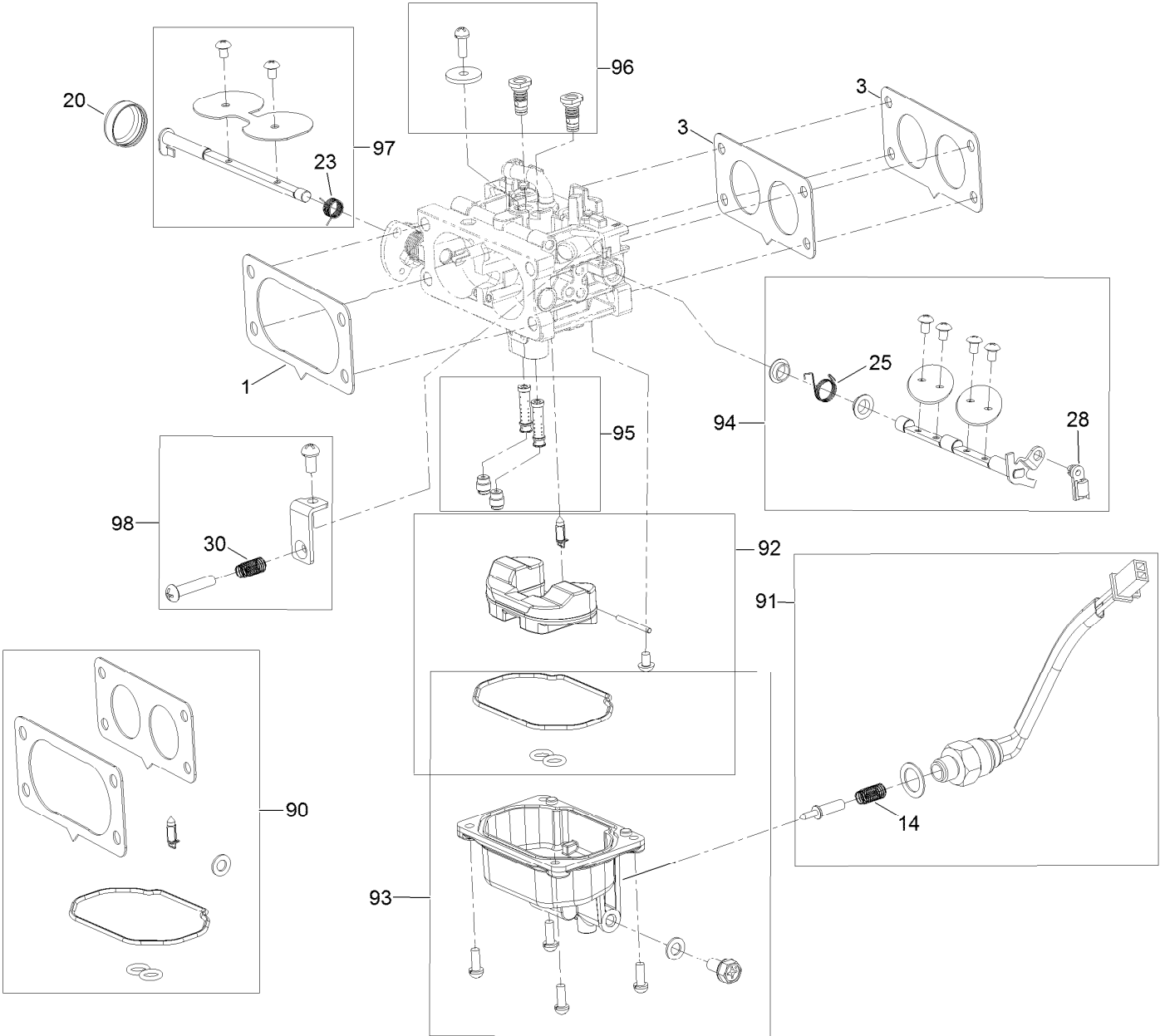
<i>Ref.</i>	<i>Part Number</i>	<i>Qty.</i>	<i>Description</i>	<i>Ref.</i>	<i>Part Number</i>	<i>Qty.</i>	<i>Description</i>
1	127-9041	1	Engine-Lc2P77F	8	3256-24	3	Washer-3/8 Sae
2	131-1078	1	Decal	9	131-1071-03	1	Shield-Heat
4	131-4188	1	Muffler	10	46-8560	2	Screw-HHF 1/4-20 X 1/2
5	131-1079	1	Decal-Engine Displacement	11	131-1097	1	Decal-Drain, Oil
7	32144-109	4	Screw-HWH 3/8-16 X 1 1/4 Taptite	12	127-9077	1	Placard-Intake, Exmark
				99	127-9355	1	Sleeve-Fuel Line Protector ●

● Not illustrated

Fuel System Assembly Engine Assembly No. 127-9041 (continued)

<i>Ref.</i>	<i>Part Number</i>	<i>Qty.</i>	<i>Description</i>	<i>Ref.</i>	<i>Part Number</i>	<i>Qty.</i>	<i>Description</i>
1	127-9204	1	Filter-Fuel	10	127-9244	1	Manifold-Intake
2	120-4251	6	Clamp-Fuel Line	11	127-9245	4	Stud
3	120-4371	1	Line-Fuel	12	127-9246	2	Gasket-Carburetor
4	127-9206	1	Pump-Fuel	13	127-9247	1	Insulator-Carburetor
5	120-4225	2	Screw-HHF	14	127-9248	1	Linkage-Throttle
6	127-9205	1	Hose-Fuel	96	127-9289	1	Carburetor Replacement Kit
7	127-9207	1	Hose-Fuel	97	127-9290	1	Carburetor Repair Kit
8	127-9230	2	Gasket-Intake	98	127-9292	1	Solenoid Kit
9	120-4284	4	Screw-HHF				

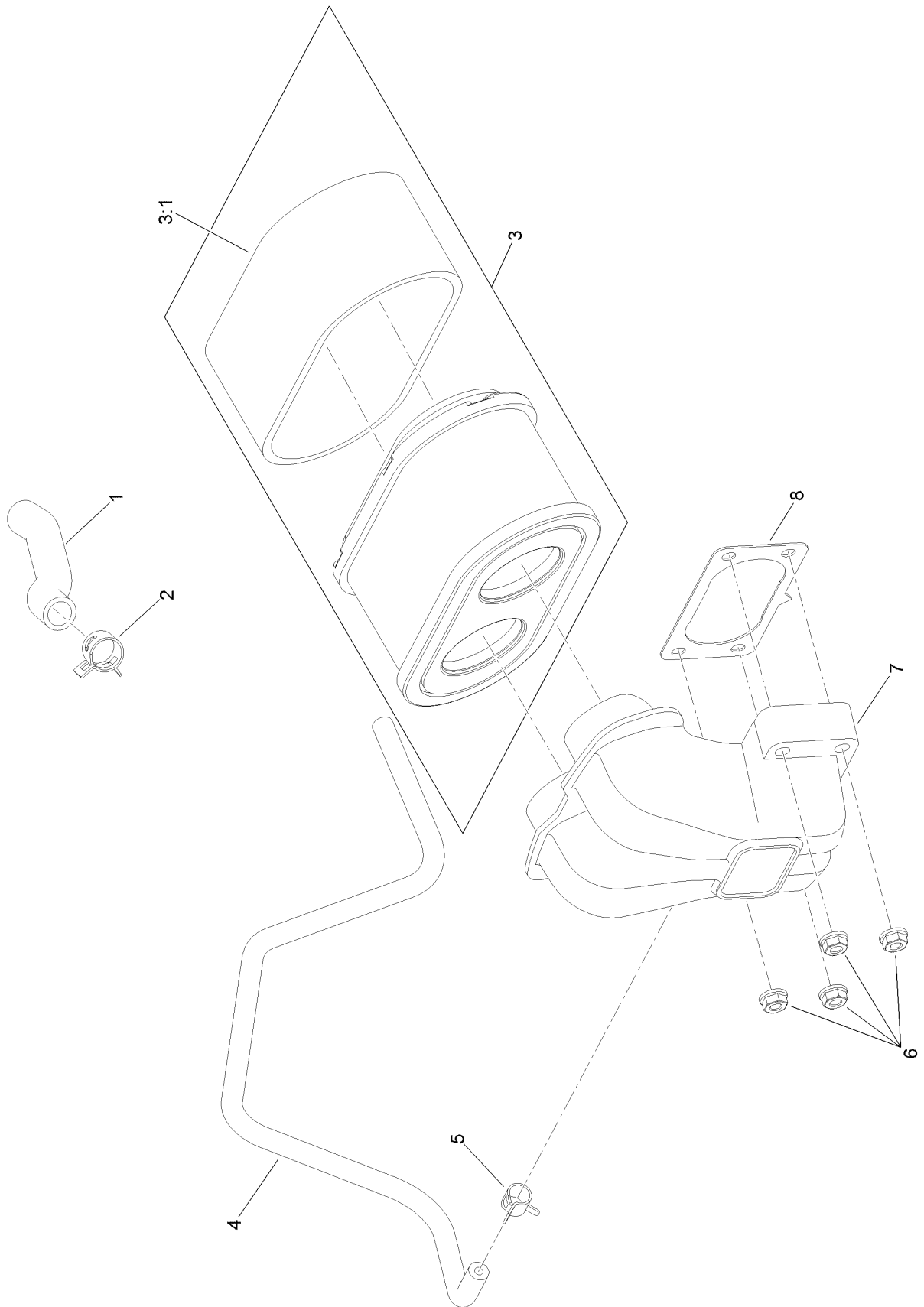
Carburetor Assembly No. 127-9249



Carburetor Assembly No. 127-9249 (continued)

<i>Ref.</i>	<i>Part Number</i>	<i>Qty.</i>	<i>Description</i>	<i>Ref.</i>	<i>Part Number</i>	<i>Qty.</i>	<i>Description</i>
1	127-9249	1	Carburetor	90	127-9290	1	Carburetor Repair Kit
1	127-9251	1	Gasket-Carburetor	91	127-9292	1	Solenoid Kit
3	127-9246	2	Gasket-Carburetor	92	127-9340	1	Float Kit
14	127-9319	1	Spring	93	127-9341	1	Bowl Kit
20	127-9325	1	Cover, Choke Shaft	94	127-9342	1	Throttle Shaft Kit
23	127-9328	1	Spring	95	127-9343	1	Needle And Jet Kit
25	127-9330	1	Spring	96	127-9344	1	Air Jet Kit
28	127-9333	1	Lock Clamp	97	127-9345	1	Choke Shaft Kit
30	127-9335	1	Spring	98	127-9347	1	Idlestop Kit

Air Intake and Filtration Assembly Engine Assembly No. 127-9041

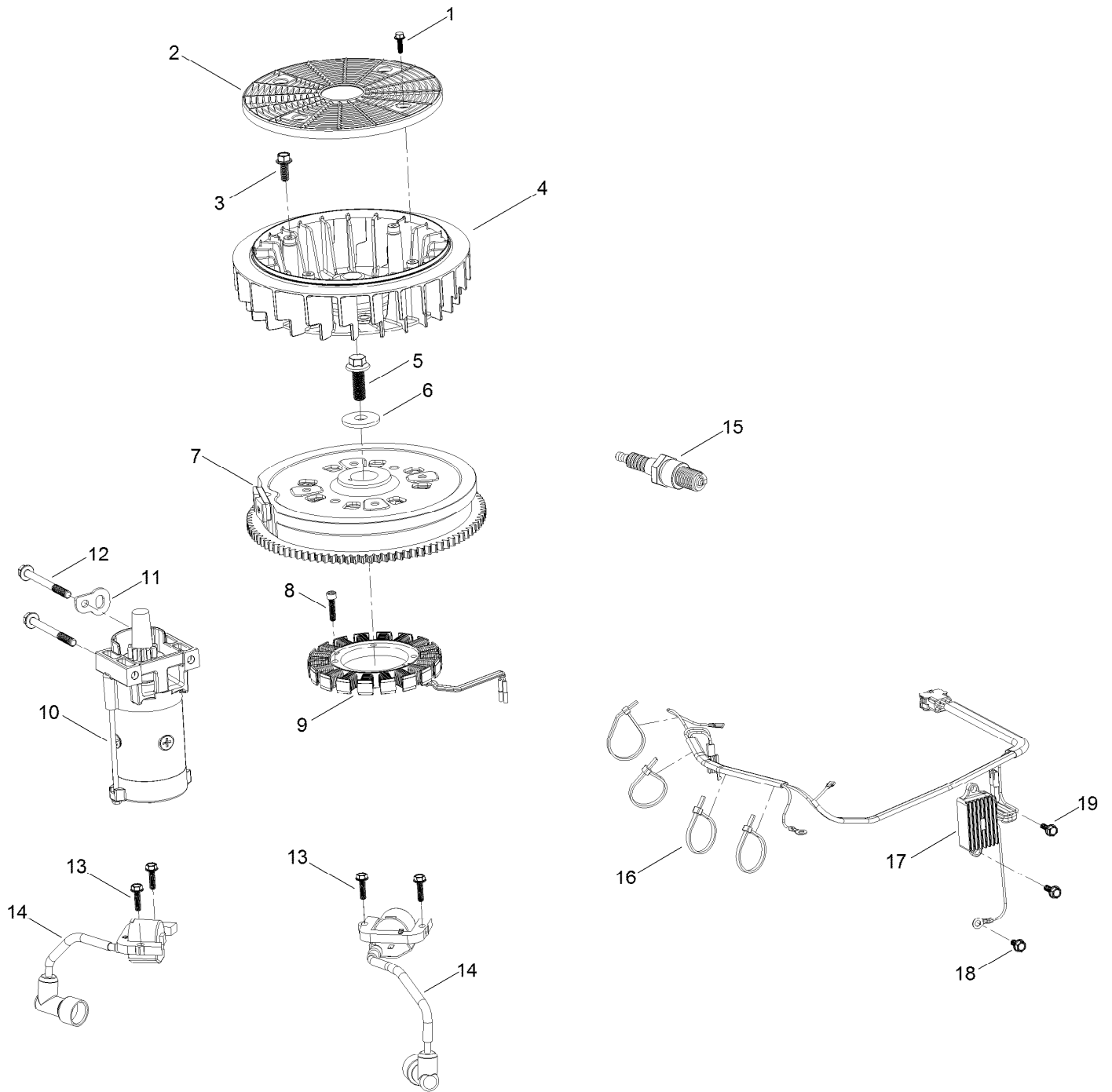


Air Intake and Filtration Assembly Engine Assembly No. 127-9041 (continued)

<i>Ref.</i>	<i>Part Number</i>	<i>Qty.</i>	<i>Description</i>
1	127-9235	1	Tube-Breather
2	127-9234	2	Clamp-Hose
3	127-9252	1	Filter-Air, Complete
3:1	127-9288	1	Filter-Pre, Foam
4	127-9253	1	Hose-Fuel

<i>Ref.</i>	<i>Part Number</i>	<i>Qty.</i>	<i>Description</i>
5	127-9187	1	Clamp-Hose
6	120-4236	4	Nut-Flange
7	127-9047	1	Manifold-Filter, Air
8	127-9251	1	Gasket-Carburetor

Ignition and Electrical Engine Assembly No. 127-9041

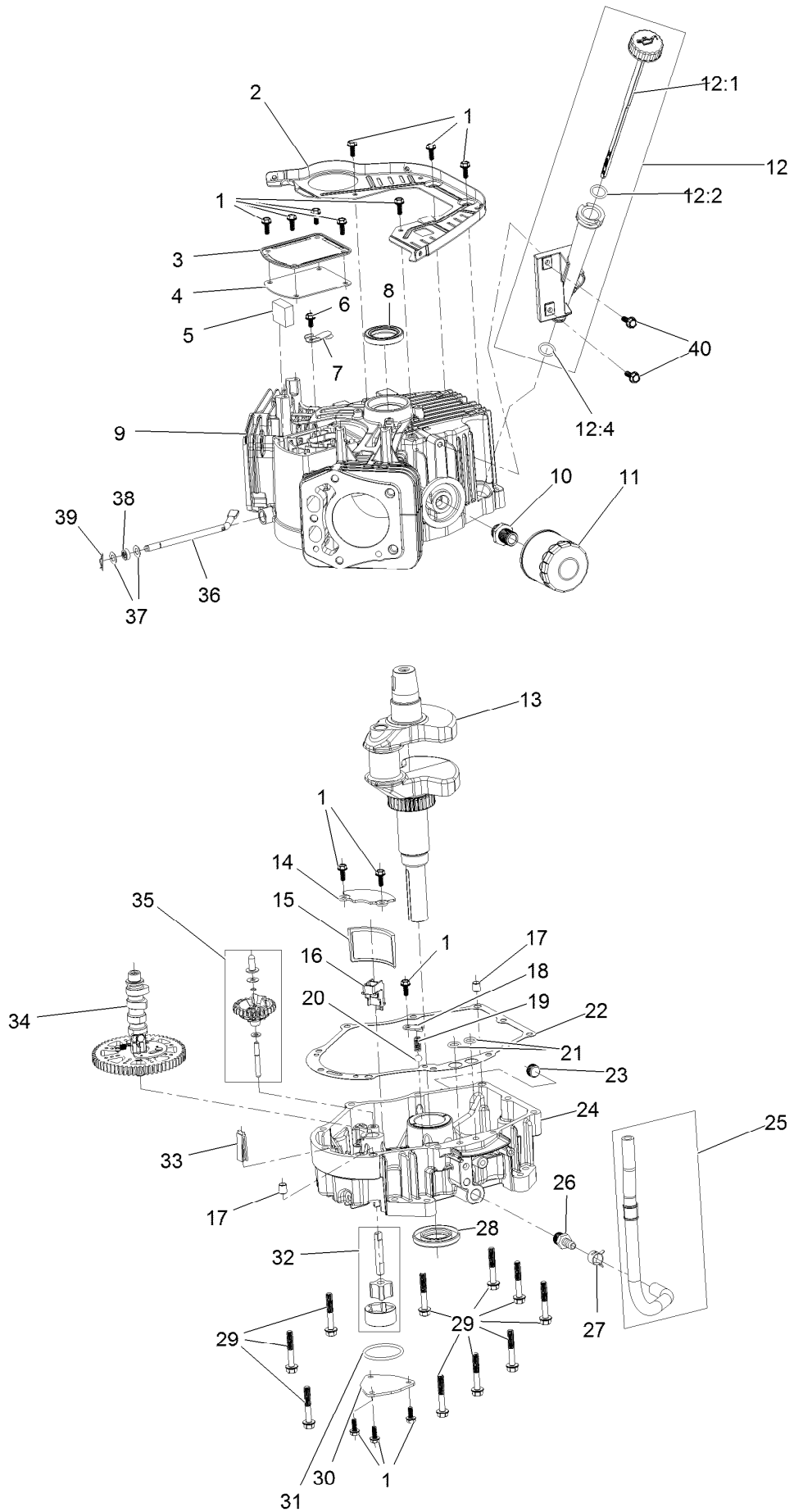


Ignition and Electrical

Engine Assembly No. 127-9041 (continued)

<i>Ref.</i>	<i>Part Number</i>	<i>Qty.</i>	<i>Description</i>	<i>Ref.</i>	<i>Part Number</i>	<i>Qty.</i>	<i>Description</i>
1	127-9197	4	Screw-HWH	11	127-9208	1	Bracket-Lift
2	127-9198	1	Screen-Rotating	12	120-4231	2	Screw-HHF
3	127-9199	4	Screw-HWH	13	121-0007	4	Bolt-Flange
4	127-9200	1	Fan-Cooling	14	127-9216	2	Ignition Coil ASM
5	127-9201	1	Screw-HWH	15	81-3250	2	Spark Plug
6	127-9202	1	Washer-Flat	16	127-9220	4	Tie-Zip
7	127-9306	1	Flywheel	17	127-9219	1	Regulator-Voltage W/Harness
8	127-9210	4	Screw-HSH	18	120-4216	1	Screw-HHF
9	127-9211	1	Alternator	19	120-4232	2	Screw-HHF
10	127-9209	1	Motor-Starter				

Crankcase Assembly Engine Assembly No. 127-9041

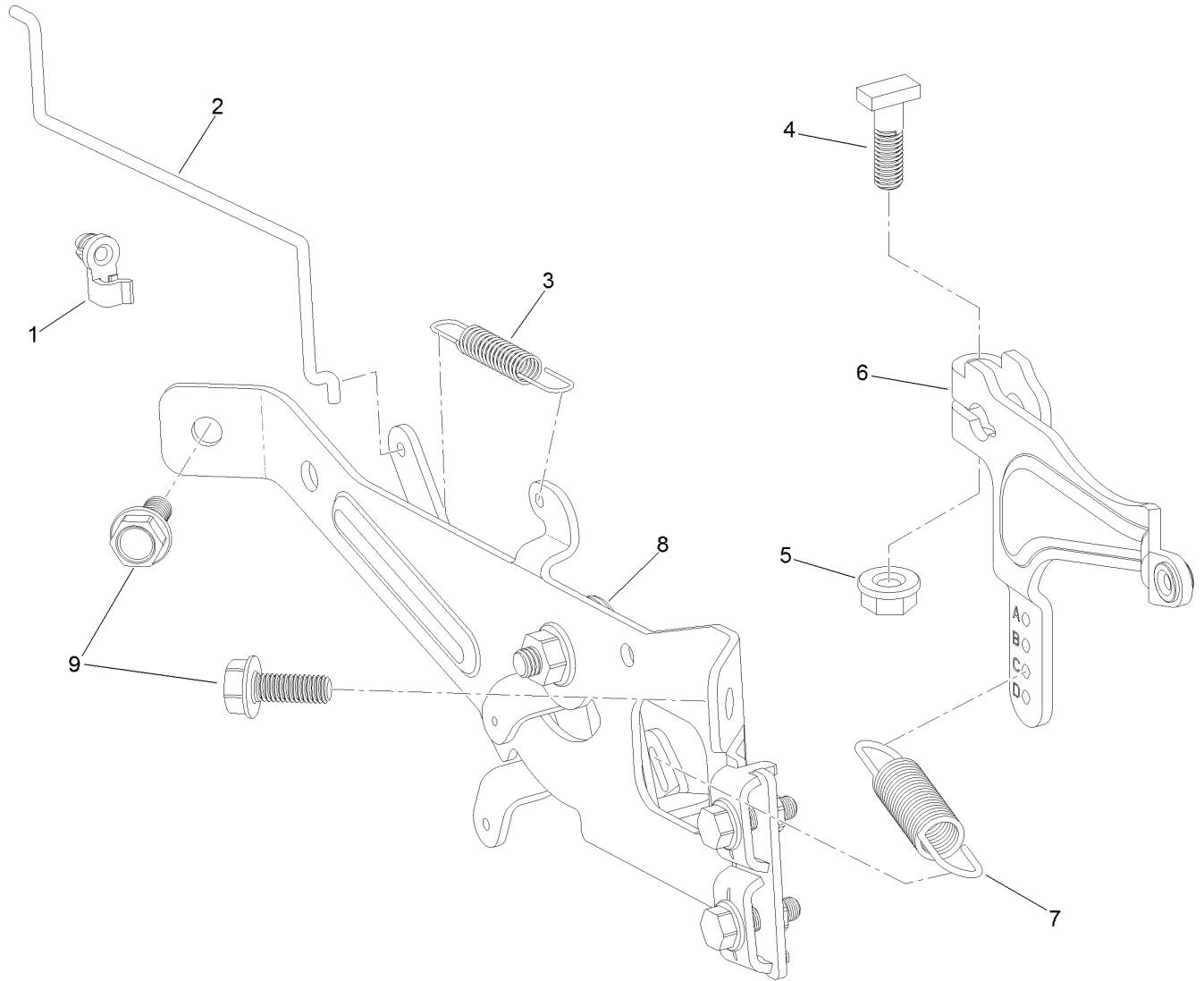


Crankcase Assembly

Engine Assembly No. 127-9041 (continued)

<i>Ref.</i>	<i>Part Number</i>	<i>Qty.</i>	<i>Description</i>	<i>Ref.</i>	<i>Part Number</i>	<i>Qty.</i>	<i>Description</i>
1	120-4232	14	Screw-HHF	20	127-9266	1	Valve-Ball
2	127-9212	1	Baffle	21	120-4262	2	O-Ring
3	127-9213	1	Cover-Breather	22	127-9267	1	Gasket-Cover, Crankcase
4	127-9214	1	Gasket-Breather	23	120-4285	1	Plug-Drain
5	127-9215	1	Filter-Breather	24	127-9268	1	Cover-Crankcase
6	120-4216	1	Screw-HHF	25	127-9293	1	Oil Drain Hose ASM
7	127-9217	1	Valve-Breather	26	127-9275	1	Fitting-Hose
8	120-4267	1	Seal-Oil	27	127-9276	1	Clamp-Hose
9	127-9223	1	Crankcase	28	127-9271	1	Seal
10	127-9221	1	Fitting-Threaded, Oil Filter	29	121-0473	10	Screw-HHF
11	120-4276	1	Filter-Oil	30	127-9274	1	Cover-Oil Pump
12	127-9218	1	Oil Tube ASM	31	127-9273	1	O-Ring
12:1	127-9283	1	Dipstick	32	127-9272	1	Oil Pump ASM
12:2	127-9284	1	O-Ring	33	120-4275	1	Deflector-Oil, Rubber
12:4	127-9286	1	O-Ring	34	127-9269	1	Camshaft
13	127-9255	1	Crankshaft	35	127-9270	1	Governor ASM
14	127-9261	1	Cover-Screen, Oil	36	127-9238	1	Rod-Governor
15	127-9262	1	Screen-Oil	37	120-4258	2	Washer-Plain
16	127-9263	1	Retainer-Screen	38	120-4257	1	Seal-Oil
17	120-4274	2	Pin-Dowel	39	120-4256	1	Pin-Hair
18	127-9264	1	Plate-Retainer	40	120-4232	2	Screw-HHF
19	127-9265	1	Spring				

Governor Control Assembly Engine Assembly No. 127-9041

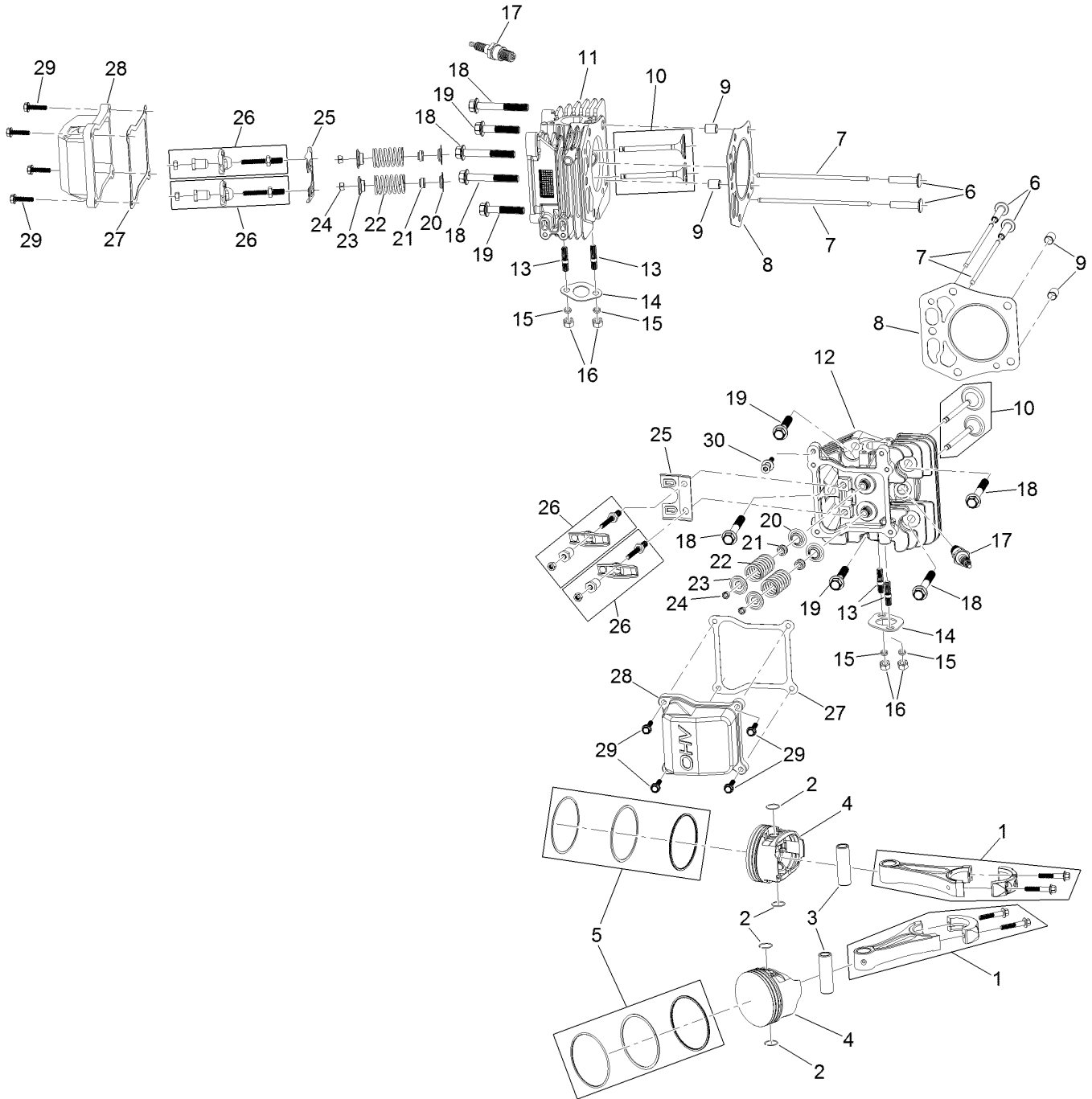


Governor Control Assembly Engine Assembly No. 127-9041 (continued)

<i>Ref.</i>	<i>Part Number</i>	<i>Qty.</i>	<i>Description</i>	<i>Ref.</i>	<i>Part Number</i>	<i>Qty.</i>	<i>Description</i>
1	127-9250	1	Clip-Linkage	6	127-9239	1	Arm-Governor
2	127-9242	1	Linkage-Choke	7	127-9240	1	Spring-Governor
3	127-9241	1	Spring-Governor	8	127-9243	1	Plate-Control
4	120-4238	1	Bolt-Arm, Governor	9	120-4232	2	Screw-HHF
5	120-4236	1	Nut-Flange				

Piston and Cylinder Head Assembly

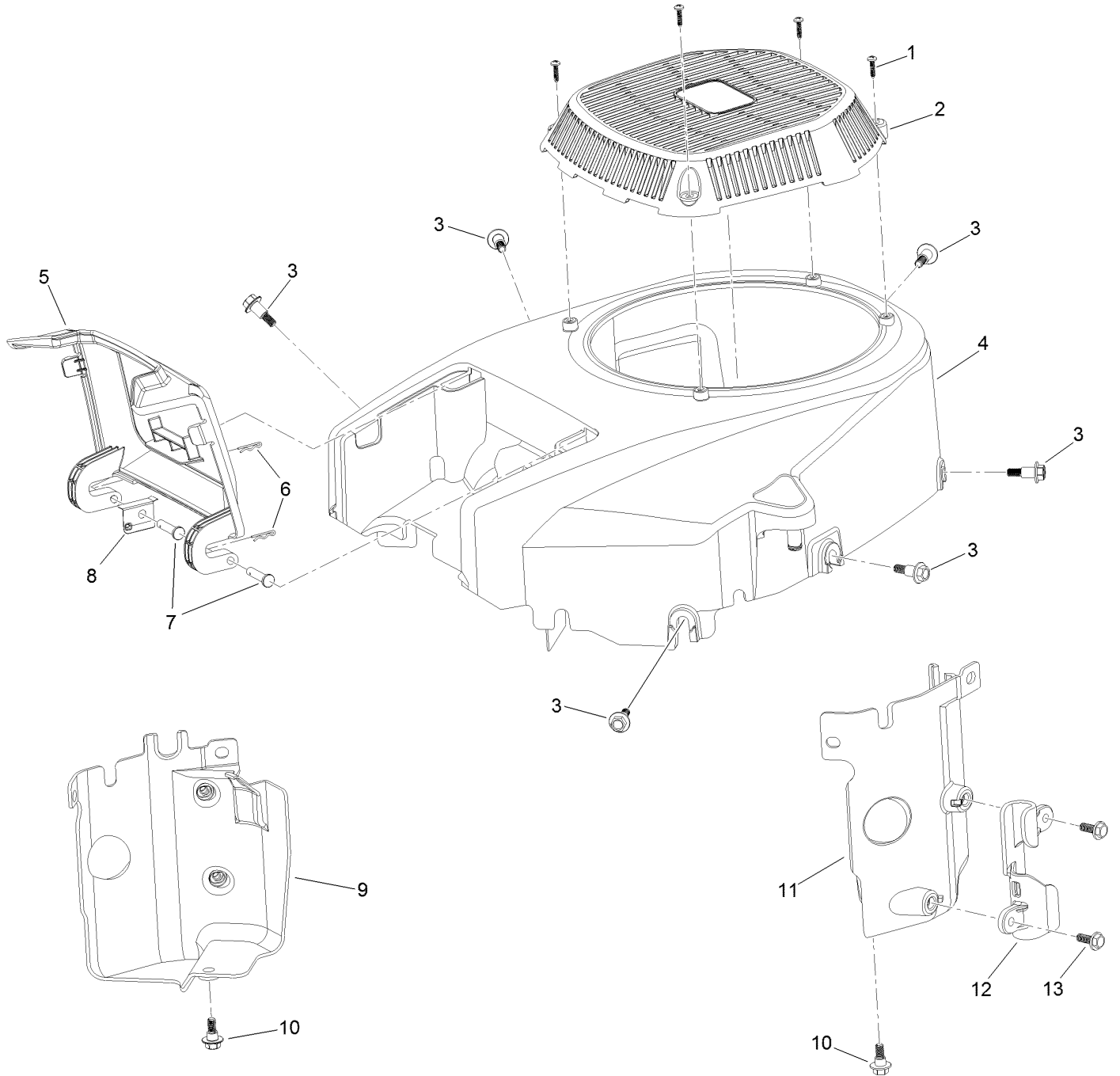
Engine Assembly No. 127-9041



Piston and Cylinder Head Assembly Engine Assembly No. 127-9041 (continued)

<i>Ref.</i>	<i>Part Number</i>	<i>Qty.</i>	<i>Description</i>	<i>Ref.</i>	<i>Part Number</i>	<i>Qty.</i>	<i>Description</i>
1	127-9256	2	Connecting Rod ASM	16	121-0199	4	Nut-HH
2	127-9258	4	Clip-Piston Pin	17	81-3250	2	Spark Plug
3	127-9257	2	Pin-Piston	18	127-9231	6	Screw-HWH
4	127-9259	2	Piston	19	127-9232	4	Screw-HWH
5	127-9260	2	Ring Set-Piston	20	120-4303	4	Seat-Spring, Valve
6	127-9224	4	Lifter-Valve	21	120-4304	4	Seal-Stem, Valve
7	127-9225	4	Rod-Push	22	120-4305	4	Spring-Valve
8	127-9226	2	Gasket-Cylinder Head	23	120-4306	4	Retainer-Spring, Valve
9	127-9227	4	Pin-Dowel	24	120-4307	4	Keeper-Valve
10	127-9228	2	Valve Set	25	127-9233	2	Plate-Push Rod, Guide
11	127-9229	1	Head-Cylinder	26	127-9294	4	Rocker Arm ASM
12	127-9254	1	Head-Cylinder	27	127-9295	2	Gasket-Valve Cover
13	127-9236	4	Stud	28	127-9050	2	Cover-Valve
14	120-4317	2	Gasket-Exhaust	29	120-4225	8	Screw-HHF
15	127-9279	4	Washer-Lock, Split	30	120-4214	1	Screw-Shoulder, HH

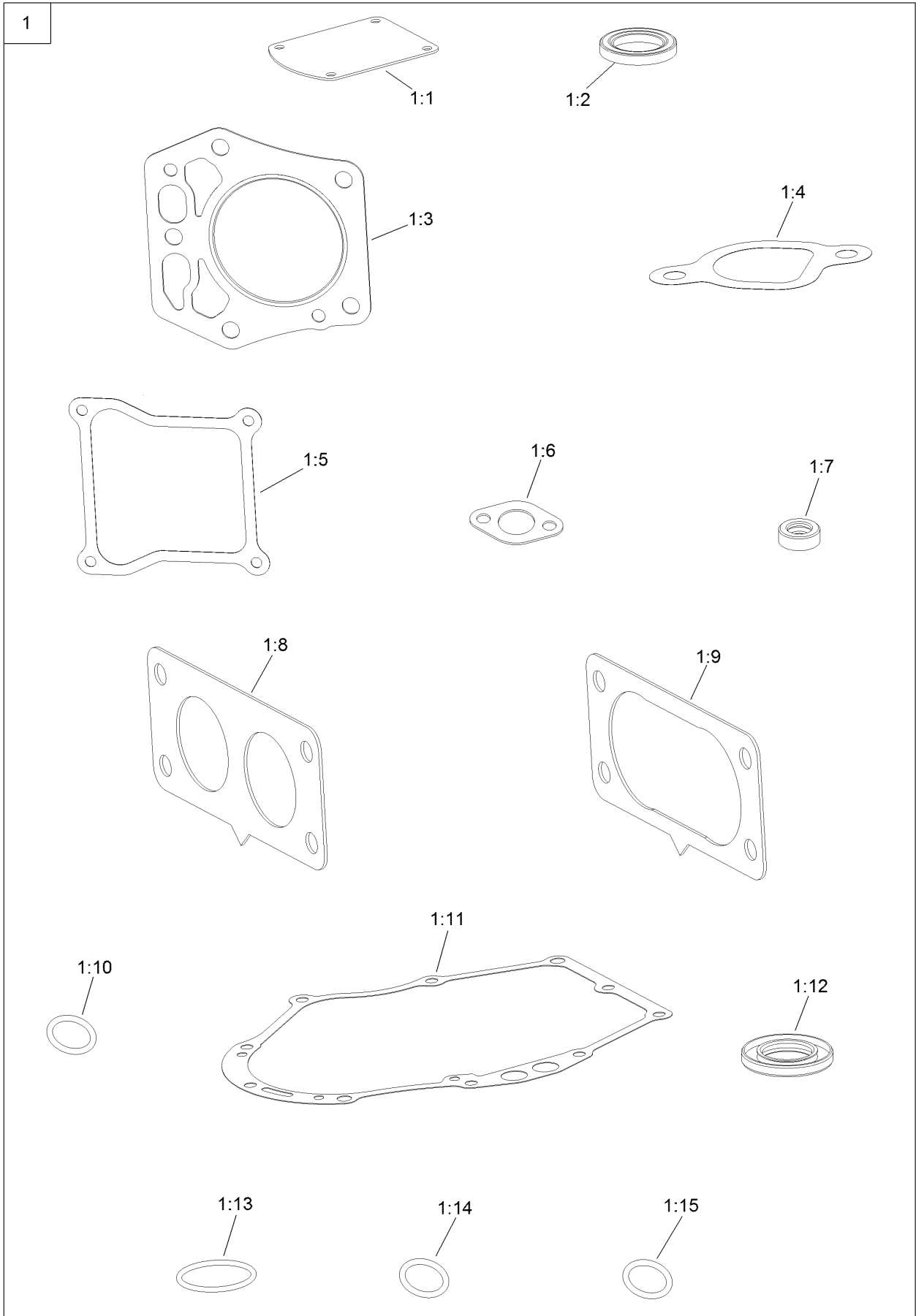
Blower Housing Assembly Engine Assembly No. 127-9041



Blower Housing Assembly Engine Assembly No. 127-9041 (continued)

<i>Ref.</i>	<i>Part Number</i>	<i>Qty.</i>	<i>Description</i>	<i>Ref.</i>	<i>Part Number</i>	<i>Qty.</i>	<i>Description</i>
1	127-9195	4	Screw-Plastic, PPH	8	127-9281	1	Plate-Spring
2	127-9045	1	Cover-Fan	9	127-9049	1	Baffle-Air, Left
3	127-9196	6	Screw-Shoulder, HWH	10	120-4210	2	Screw-Shoulder, HHF
4	127-9044	1	Shroud-Engine	11	127-9048	1	Baffle-Air, Right
5	127-9046	1	Door-Filter, Air	12	127-9287	1	Cleat-Hose
6	127-9280	2	Pin-Hair	13	120-4232	2	Screw-HHF
7	127-9282	2	Pin				

Gasket and Seal Kit Engine Assembly No. 127-9041

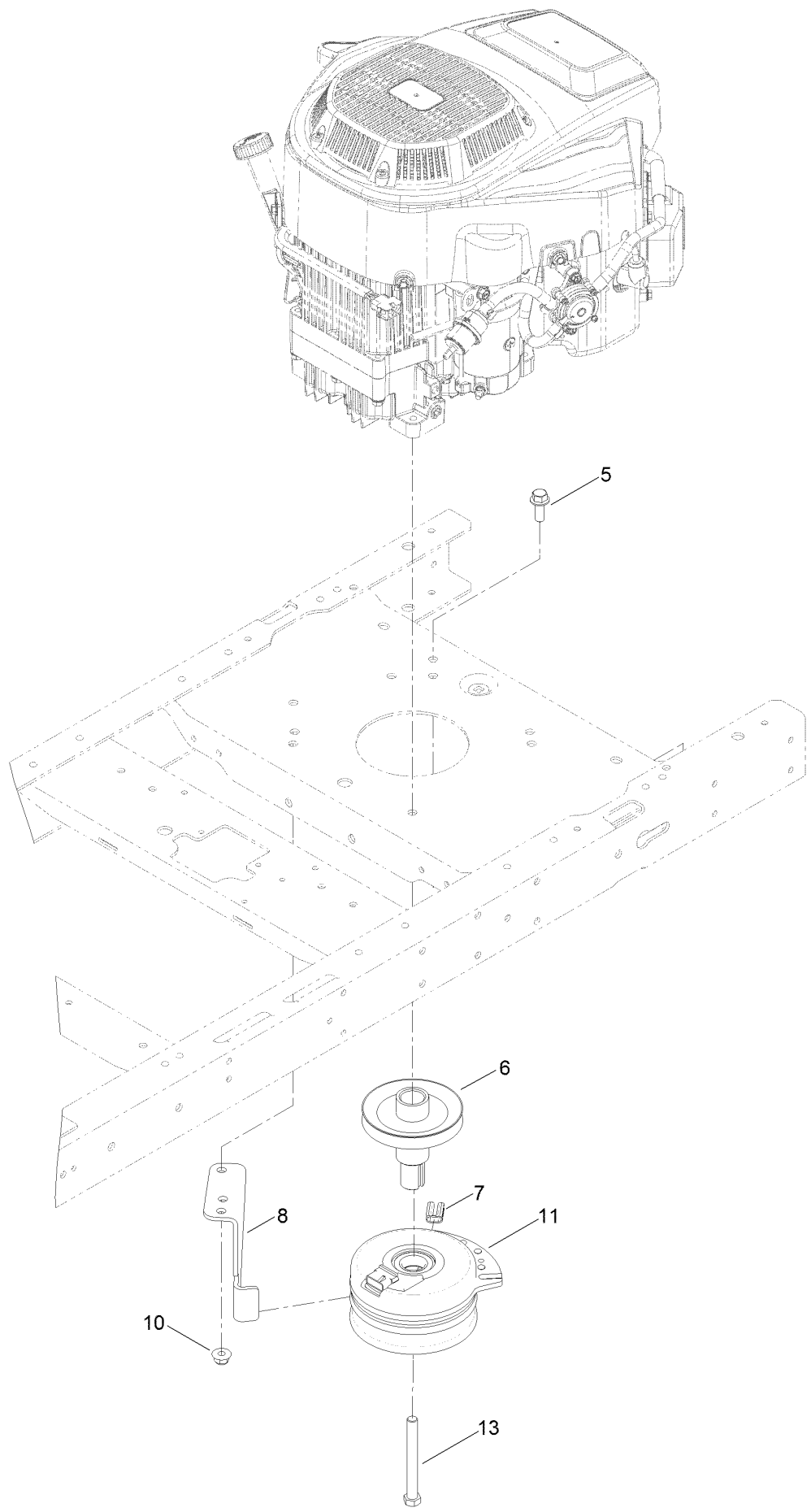


Gasket and Seal Kit

Engine Assembly No. 127-9041 (continued)

<i>Ref.</i>	<i>Part Number</i>	<i>Qty.</i>	<i>Description</i>	<i>Ref.</i>	<i>Part Number</i>	<i>Qty.</i>	<i>Description</i>
1	127-9296	1	Gasket And Seal Kit	1:8	127-9246	2	Gasket-Carburetor
1:1	127-9214	1	Gasket-Breather	1:9	127-9251	1	Gasket-Carburetor
1:2	120-4267	1	Seal-Oil	1:10	120-4262	2	O-Ring
1:3	127-9226	2	Gasket-Cylinder Head	1:11	127-9267	1	Gasket-Cover, Crankcase
1:4	127-9230	2	Gasket-Intake	1:12	127-9271	1	Seal
1:5	127-9295	2	Gasket-Valve Cover	1:13	127-9273	1	O-Ring
1:6	120-4317	2	Gasket-Exhaust	1:14	127-9284	1	O-Ring
1:7	120-4257	1	Seal-Oil	1:15	127-9286	1	O-Ring

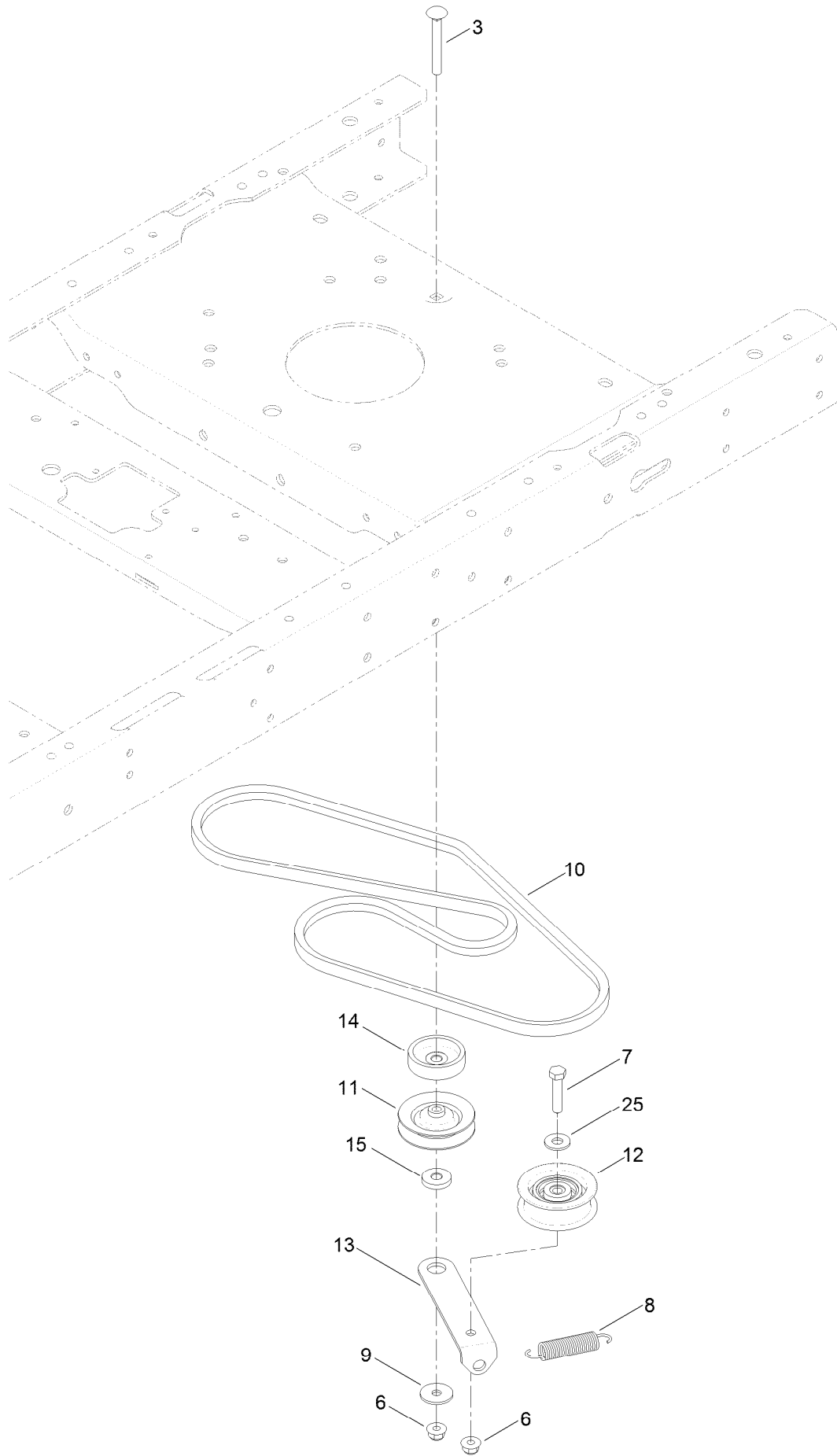
Clutch Assembly



Clutch Assembly (continued)

<i>Ref.</i>	<i>Part Number</i>	<i>Qty.</i>	<i>Description</i>	<i>Ref.</i>	<i>Part Number</i>	<i>Qty.</i>	<i>Description</i>
5	3234-42	1	Screw-HHF	10	104-8301	1	Nut-Flange, NI
6	130-6854	1	Pulley-Engine	11	117-7468	1	Clutch-Electric
7	120-2217	1	Isolator-Clutch	13	3212-16	1	Screw-HH
8	119-8884	1	Stop-Clutch				

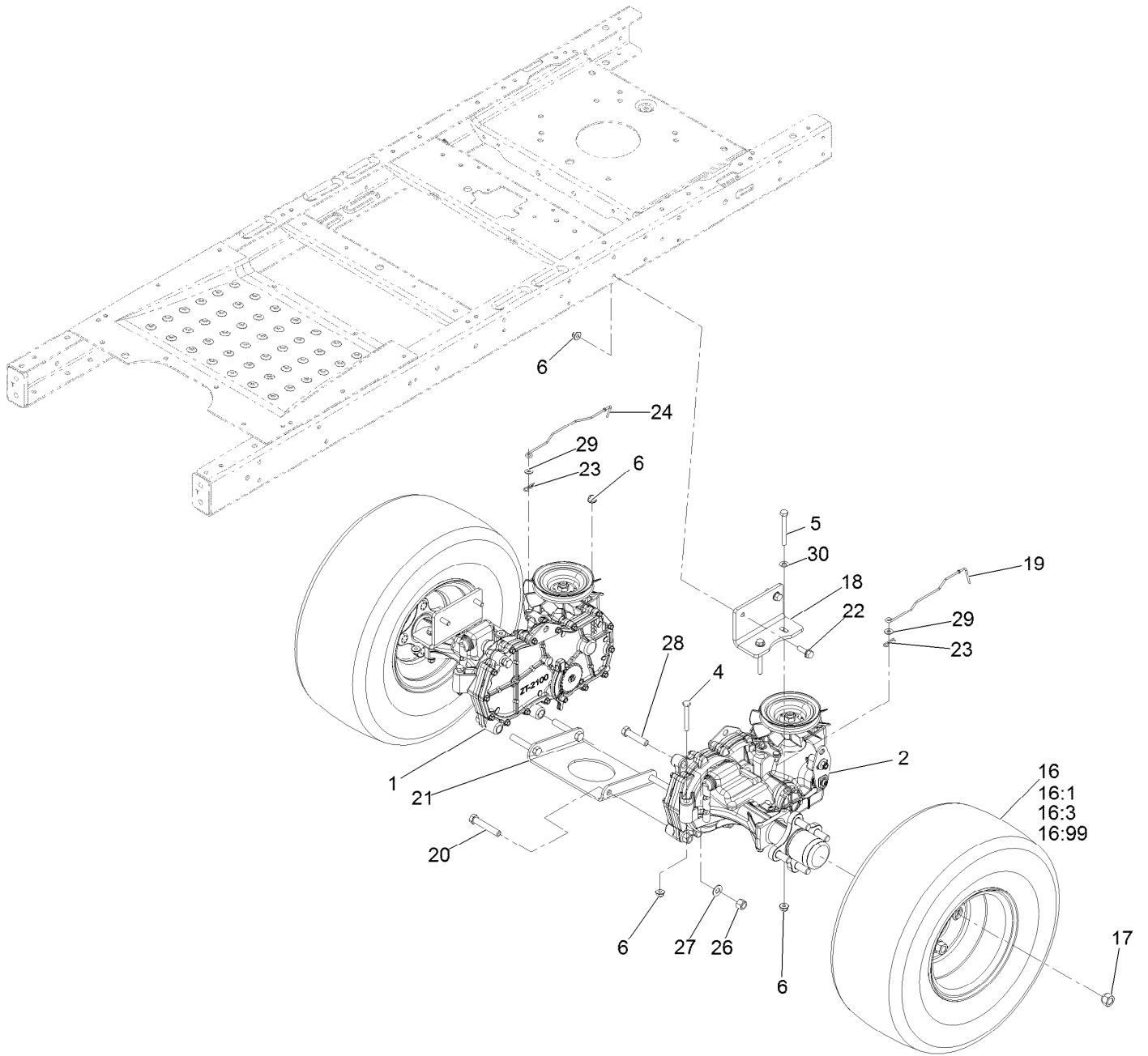
Belt and Idler Assembly



Belt and Idler Assembly (continued)

<i>Ref.</i>	<i>Part Number</i>	<i>Qty.</i>	<i>Description</i>	<i>Ref.</i>	<i>Part Number</i>	<i>Qty.</i>	<i>Description</i>
3	3230-8	1	Screw-CARR	11	119-8822	1	Pulley-Idler
6	104-8300	2	Nut-Flange, NI	12	106-2176	1	Pulley-Idler
7	322-7	1	Screw-HH	13	119-3326	1	Arm-Idler
8	104-6415	1	Spring-Return, Pedal	14	119-3353	1	Spacer
9	5-4460	1	Washer-Pivot	15	119-3327	1	Spacer-Arm, Idler
10	130-6975	1	V-Belt	25	3256-3	1	Washer-Flat

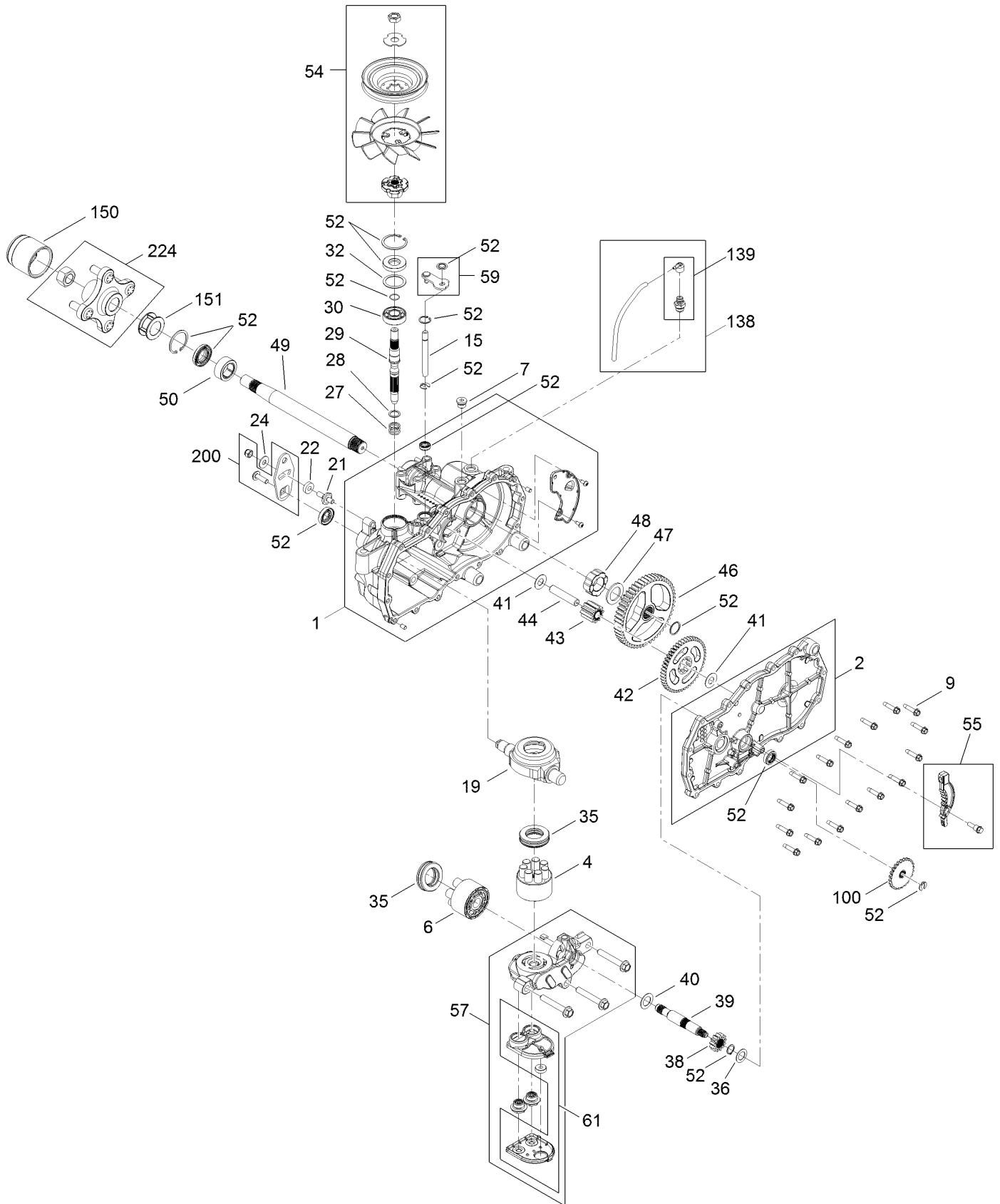
Hydro Transaxle Drive and Rear Wheel Assembly



Hydro Transaxle Drive and Rear Wheel Assembly (continued)

<i>Ref.</i>	<i>Part Number</i>	<i>Qty.</i>	<i>Description</i>	<i>Ref.</i>	<i>Part Number</i>	<i>Qty.</i>	<i>Description</i>
1	119-3341	1	RH Hydro Transaxle ASM	19	131-0900	1	Rod-Bypass, LH
2	119-3340	1	LH Hydro Transaxle ASM	20	324-10	4	Screw-HH 7/16-14 X 2 1/2
4	322-11	4	Screw-HH 5/16-18 X 2 1/4	21	119-3339-03	1	Plate-Cross, Hydro
5	322-13	4	Screw-HH 5/16-18 X 2 3/4	22	3234-29	4	Screw-HH Flg 5/16-18 X 1
6	104-8300	12	Nut-Nyloc 5/16-18 Flg	23	3290-307	2	Pin-Cotter
16	131-3671	2	2 Ply Wheel And Tire ASM	24	130-7049	1	Rod-Bypass, RH
16:1	131-3678	1	Tire	26	3296-48	6	Nut-Nyloc 7/16-14
16:3	232-27	1	Stem-Valve	27	3256-25	6	Washer-7/16 Sae
16:99	107-2491	1	Tube-Tire	28	324-8	2	Screw-HH
17	242-50	8	Nut-Lug 1/2-20	29	119-8952	2	Washer
18	117-7264-03	2	Mount-Hydro	30	3256-23	6	Washer-5/16 Sae

Left hand Hydro Transaxle Assembly No. 119-3340

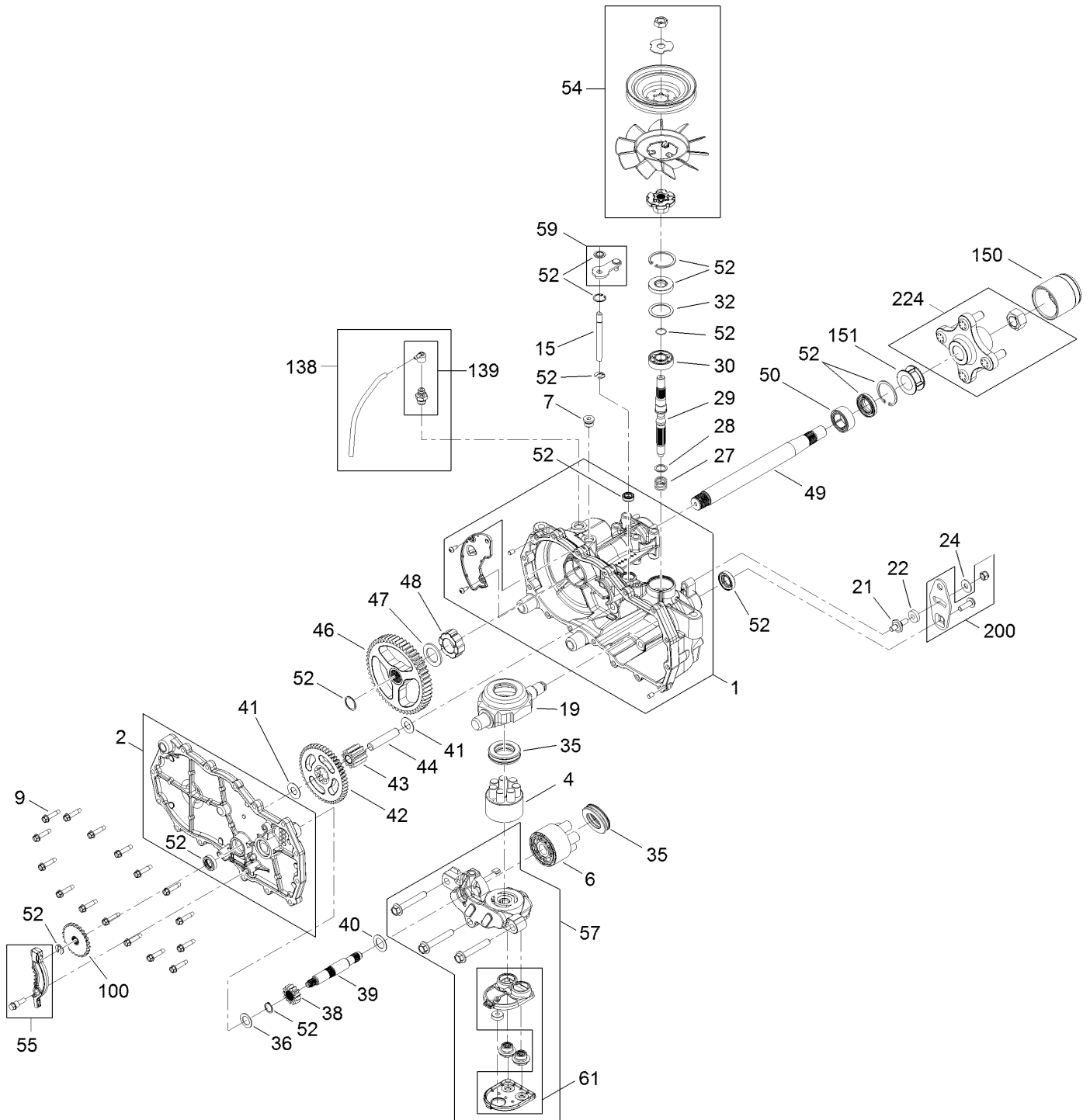


Left hand Hydro Transaxle Assembly No. 119-3340 (continued)

<i>Ref.</i>	<i>Part Number</i>	<i>Qty.</i>	<i>Description</i>	<i>Ref.</i>	<i>Part Number</i>	<i>Qty.</i>	<i>Description</i>
1	106-8695	1	Main Housing ASM	42	104-5317	1	Gear-10T/48T
2	106-8696	1	Side ASM	43	104-5318	1	Gear-Jackshaft, 10T
4	110-8561	1	Pump Block ASM	44	104-5329	1	Pin-Jackshaft
6	103-2666	1	Cylinder Block Kit	46	112-9855	1	Gear-52T, Bull
7	104-2189	1	Plug-Thread, Straight	47	112-9856	1	Washer
9	104-5305	16	Screw-HHF	48	112-9857	1	Bearing-Sleeve
15	106-8678	1	Rod-Bypass	49	121-5732	1	Shaft-Axle
19	104-5304	1	Swashplate-Trunnion	50	112-9859	1	Bushing-Axle
21	104-2116	1	Stud	52	106-8686	1	Seal Kit
22	112-9853	1	Puck-Friction	54	121-5729	1	Fan Pulley Kit
24	114-8491	1	Washer	55	106-8688	1	Brake Arm Kit
27	120-5537	1	Spring-Compression	57	112-9861	1	Center Section Filter Kit
28	120-5538	1	Washer	58	104-2147	1	Sealant ●
29	104-5306	1	Shaft-Input	59	120-5549	1	Bypass Kit
30	104-5311	1	Bearing-Ball	61	114-1634	1	Filter Kit
32	104-5308	1	Spacer	100	106-8694	1	Disc-Brake, Cog
35	94-6922	2	Bearing-Thrust	138	112-9866	1	Breather Kit
36	104-5339	1	Washer-Flat	139	114-1635	1	Breather ASM
38	104-5316	1	Gear-Pinion, 13T	150	116-6214	1	Cap-Long Axle
39	106-8683	1	Shaft-Motor	151	121-5734	1	Tube-Axle
40	104-5360	1	Washer	200	117-5362	1	Arm Control Kit
41	119-5541	2	Washer	224	109-3538	1	Hub Kit

● Not illustrated

Right Hand Hydro Transaxle Assembly No. 119-3341

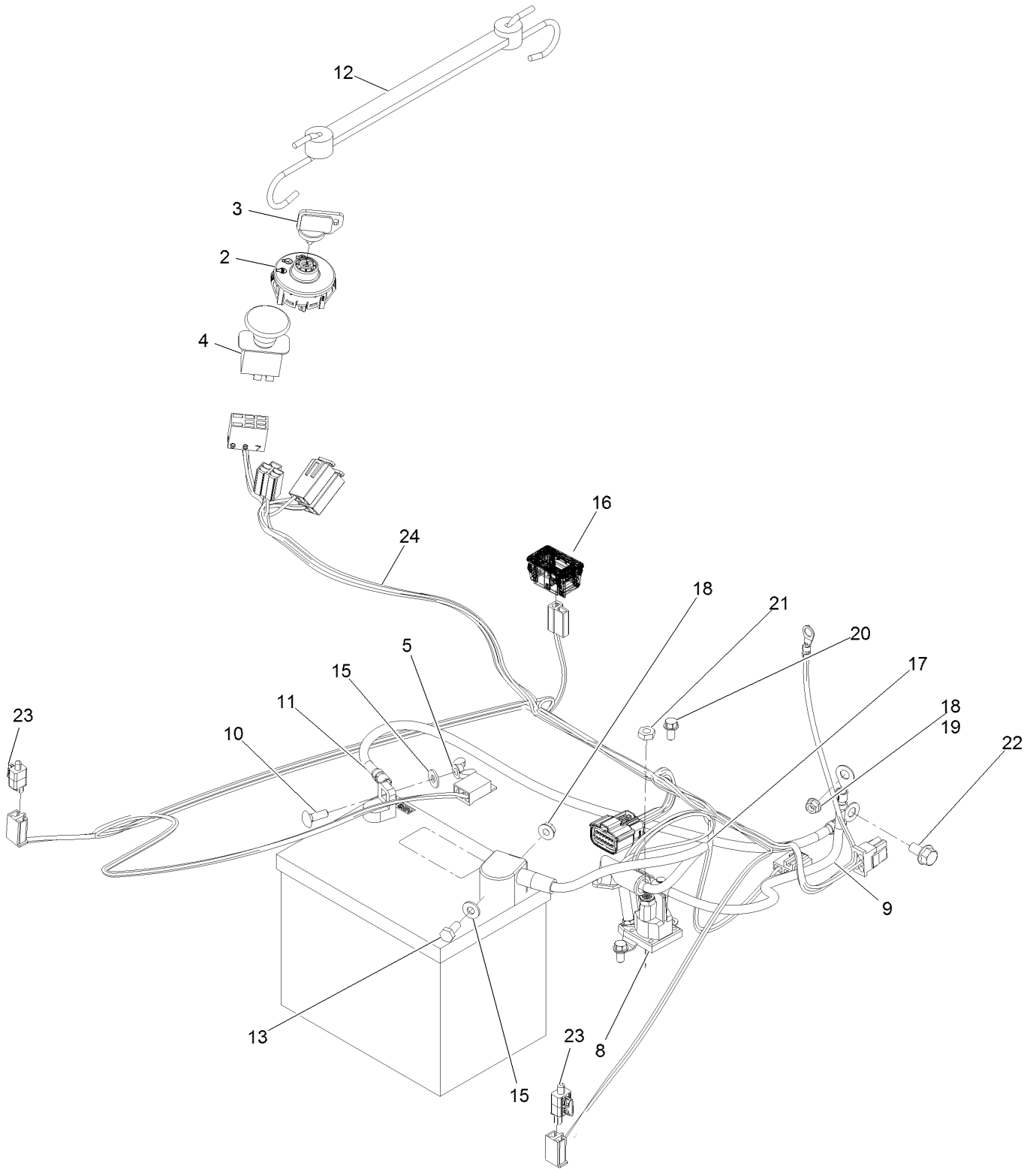


Right Hand Hydro Transaxle Assembly No. 119-3341 (continued)

<i>Ref.</i>	<i>Part Number</i>	<i>Qty.</i>	<i>Description</i>	<i>Ref.</i>	<i>Part Number</i>	<i>Qty.</i>	<i>Description</i>
1	106-8674	1	Main Housing ASM	42	104-5317	1	Gear-10T/48T
2	106-8675	1	Side ASM	43	104-5318	1	Gear-Jackshaft, 10T
4	110-8561	1	Pump Block ASM	44	104-5329	1	Pin-Jackshaft
6	103-2666	1	Cylinder Block Kit	46	112-9855	1	Gear-52T, Bull
7	104-2189	1	Plug-Thread, Straight	47	112-9856	1	Washer
9	104-5305	16	Screw-HHF	48	112-9857	1	Bearing-Sleeve
15	106-8678	2	Rod-Bypass	49	121-5732	1	Shaft-Axle
19	104-5304	1	Swashplate-Trunnion	50	112-9859	1	Bushing-Axle
21	104-2116	1	Stud	52	106-8686	1	Seal Kit
22	112-9853	1	Puck-Friction	54	121-5729	1	Fan Pulley Kit
24	114-8491	1	Washer	55	106-8688	1	Brake Arm Kit
27	120-5537	1	Spring-Compression	57	112-9862	1	Center Section Filter Kit
28	120-5538	1	Washer	58	104-2147	1	Sealant ●
29	104-5306	1	Shaft-Input	59	107-2489	1	Bypass Arm Kit
30	104-5311	1	Bearing-Ball	61	114-1634	1	Filter Kit
32	104-5308	1	Spacer	100	106-8694	1	Disc-Brake, Cog
35	94-6922	2	Bearing-Thrust	138	112-9866	1	Breather Kit
36	104-5339	1	Washer-Flat	139	114-1635	1	Breather ASM
38	104-5316	1	Gear-Pinion, 13T	150	116-6214	1	Cap-Long Axle
39	106-8683	1	Shaft-Motor	151	121-5734	1	Tube-Axle
40	104-5360	1	Washer	200	117-5362	1	Arm Control Kit
41	119-5541	2	Washer	224	109-3538	1	Hub Kit

● Not illustrated

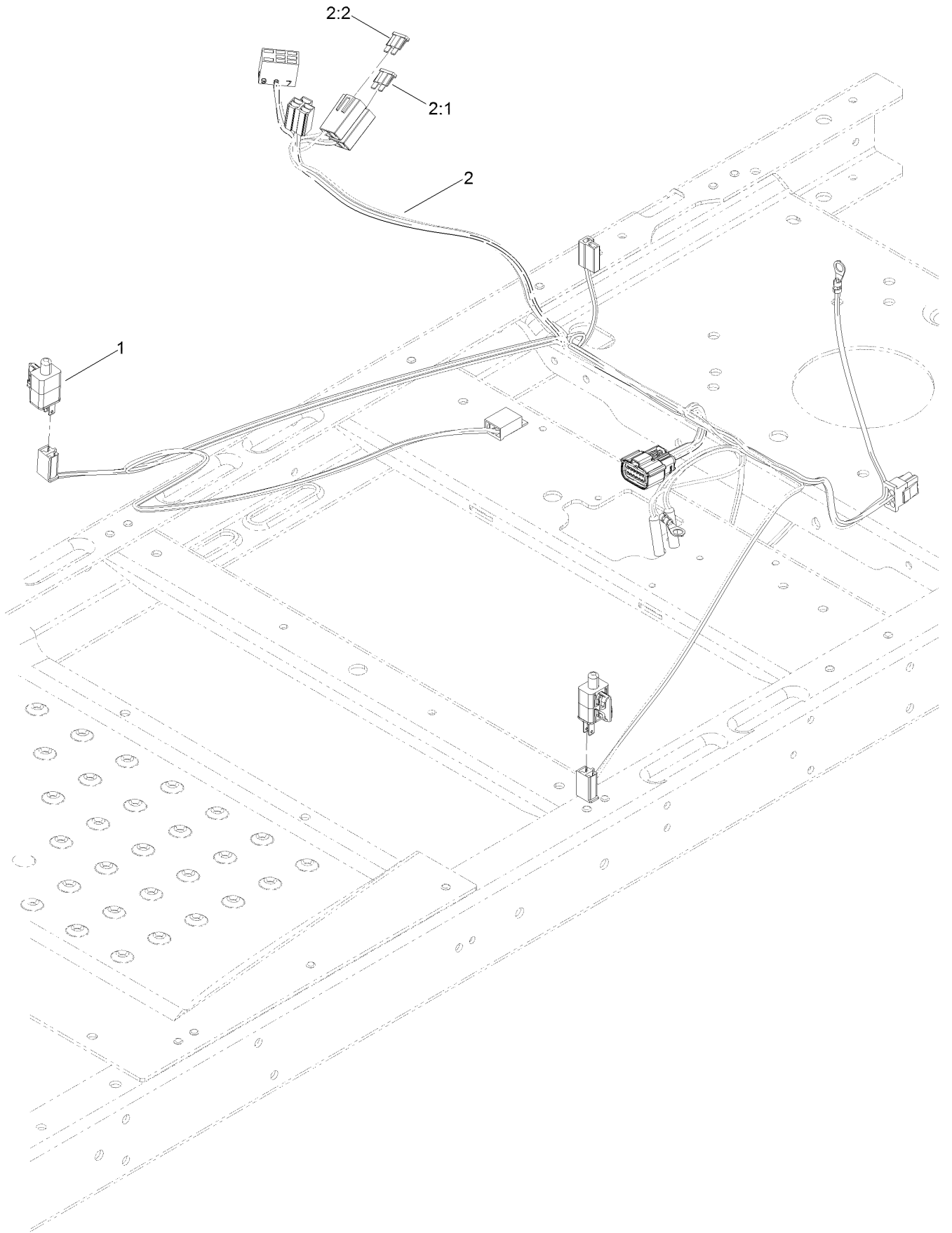
Electrical Assembly



Electrical Assembly (continued)

<i>Ref.</i>	<i>Part Number</i>	<i>Qty.</i>	<i>Description</i>	<i>Ref.</i>	<i>Part Number</i>	<i>Qty.</i>	<i>Description</i>
1	105-1692	1	Battery-Dry	13	321-3	1	Screw-HH 1/4-20 X 5/8
2	117-2221	1	Switch-Ignition	15	3256-22	2	Washer-1/4 Sae
3	103-2106	1	Key-Exmark Logo	16	120-2244	1	Hourmeter
4	103-5221	1	Switch-PTO	17	119-8897	1	Cable-Battery, Red
5	32103-22	1	Nut-Wing	18	32128-33	1	Nut-Whizlock 1/4-20
8	117-1197	1	Solenoid	19	33003-00	1	Nut-HF
9	121-0711	1	Cable-Battery, Positive	20	32144-4	2	Screw-HWH 1/4-20 X 1/2 Taptite
10	3229-1	1	Bolt-Carriage 1/4-20 X 3/4	21	3220-2	2	Nut-Jam 5/16-24
11	119-8899	1	Cable-Battery, Black	22	3234-14	1	Screw-HHF
12	104-2466	1	Holddown-Battery				

Fuse and Wire Harness Assembly



Fuse and Wire Harness Assembly (continued)

<i>Ref.</i>	<i>Part Number</i>	<i>Qty.</i>	<i>Description</i>
1	110-6765	2	Switch
2	130-7013	1	Harness-Wire ●

<i>Ref.</i>	<i>Part Number</i>	<i>Qty.</i>	<i>Description</i>
2:1	109103	1	Fuse-Blade, 30 Amp
2:2	109102	1	Fuse-Blade, 25 Amp

● Use dielectric grease on all unsealed connectors and terminals only. Do not apply in sealed connectors.

Notes:

MAXIMIZE THE PERFORMANCE OF YOUR EXMARK.

4-CYCLE PREMIUM ENGINE OIL

Part No. 116-3373

Both SAE 30 and SAE 10W-30 in one bottle.

Contains increased levels of zinc and phosphorus for better lubricity.

No Viscosity Index Improvers that tend to shear down in high heat.

Synthetic formulation.

Gas & Diesel compatible.

Anti-corrosion additives.

API 'SL' and JASO rated with wet clutch compatibility for other machines.

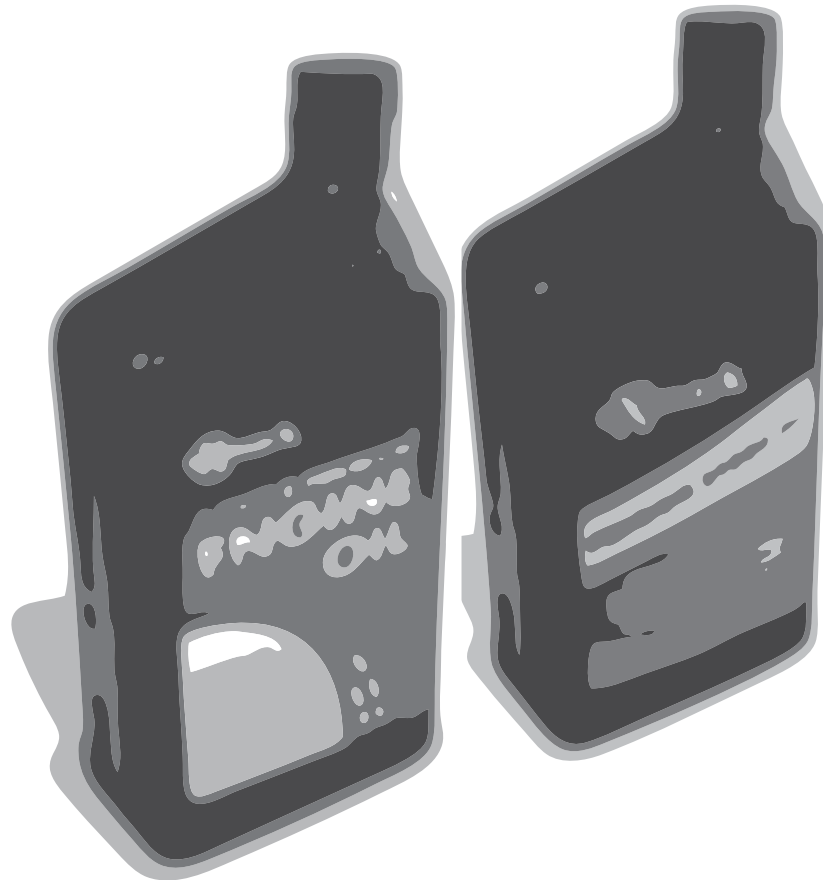
PREMIUM HYDRO OIL

Part No. 109-9828

Commercial quality for tough, high-heat conditions.

Designed specifically for zero-turn mower hydraulic systems.

Superior shear resistance under heavy loads.



Available from your local Exmark dealer. Find your closest dealer at exmark.com

EXMARK ACCESSORIES AND OPTIONS*

MID-MOUNT RIDING ACCESSORIES AND OPTIONS

CUSTOM RIDE SEAT SUSPENSION SYSTEM	OPERATOR CONTROLLED DISCHARGE
FULL SUSPENSION SEAT	SUN SHADE
DECK LIFT ASSIST KIT	TRASH CONTAINER
HITCH KIT	TURF STRIPER
LIGHT KIT	ULTRA VAC COLLECTION SYSTEM
12V POWER PORT	ULTRA VAC QUICK DISPOSAL SYSTEM
MICRO-MULCH SYSTEM	

OUT-FRONT RIDING ACCESSORIES AND OPTIONS

CUSTOM RIDE SEAT SUSPENSION SYSTEM	SNOW BLADE
DUAL-TAIL WHEEL	SNOWBLOWER
FLOOR PAN EXTENDER	SUN SHADE
HITCH KIT	TRASH CONTAINER
LIGHT KIT	ULTRA VAC COLLECTION SYSTEM
MICRO-MULCH SYSTEM	ULTRA VAC QUICK DISPOSAL SYSTEM
ROLL OVER PROTECTION SYSTEM (ROPS)	WEATHER CAB

WALK-BEHIND ACCESSORIES AND OPTIONS

GRASS CATCHER	TURF STRIPER
MICRO-MULCH SYSTEM	STANDON

*Some accessories and options not available for some models.

Place Model No. and Serial No.
Label Here (Included in the Literature
Pack) or Fill in Below

Model No. _____

Serial No. _____

Date Purchased _____

Engine Model No. and Spec. No. _____

Engine Serial No. (E/No) _____

© 2015 Exmark Mfg. Co., Inc.
Industrial Park Box 808
Beatrice, NE 68310
All Rights Reserved

Part No. 4502-187 Rev. A
(402) 223-6290
Fax (402) 223-5489
Printed in the USA.

