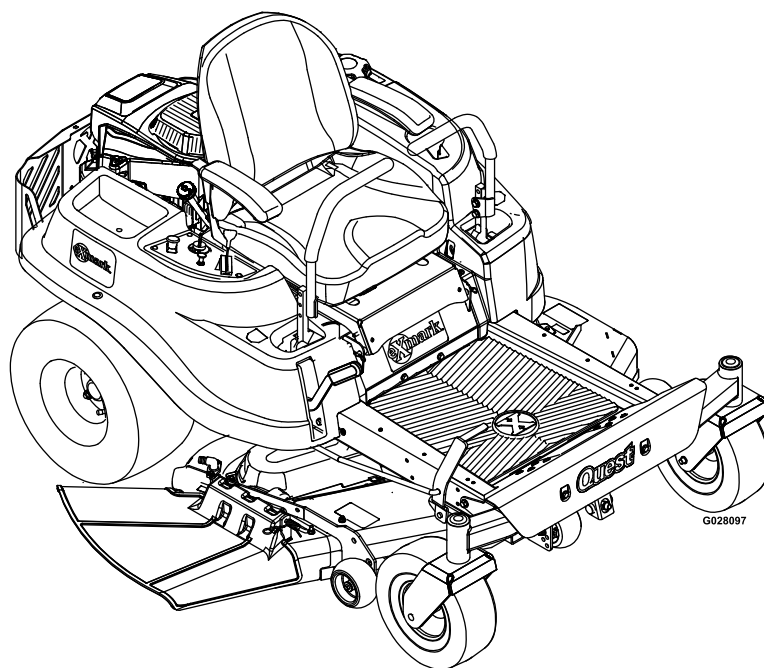




## QUEST®

Model No. QTS708GEM50200—Serial No. 31500000 and Up

Picture below may not reflect actual product.



# Parts Manual

# Ordering Replacement Parts

To order replacement parts, please supply the part number, the quantity, and the description of each part desired.

## Understanding Reference Numbers

Each identified part in an illustration has a reference number. The reference number for a part also appears in the parts list, along with other information about the part.

This catalog uses two special reference number formats, one to indicate parts in a service assembly and another to indicate the quantity of a given part in an illustration.

## Service Assembly Reference Numbers

Parts in service assemblies have reference numbers in the form a:b. The a represents the reference number of the entire service assembly and the b represents a sequential number unique to each part within the service assembly.

For example, a wheel assembly might be identified by reference number 6, the tire by 6:1, the valve by 6:2, and the wheel by 6:3. When you order the assembly identified by reference number 6, you receive all parts identified by reference numbers 6:1, 6:2, and 6:3. However, you may also order any part individually. Reference numbers of this type appear in illustration and in parts lists.

## Reference Numbers Indicating Quantity

In an illustration, if a reference number indicates more than one part, the reference number has the form nX y. The n represents the quantity of the part, the X is the multiplication symbol, and the y represents the reference number.

For example, in an illustration, the reference number 2X 37 means that two of the parts identified by reference number 37 are indicated.

# List of Abbreviations

<b>AR:</b> as required	<b>HLH:</b> hex lag head	<b>PTH:</b> phillips truss head
<b>ASM:</b> assembly	<b>HOC:</b> height-of-cut	<b>PTO:</b> power-take-off
<b>BBC:</b> blade brake control	<b>HP:</b> high pressure	<b>RH:</b> right hand
<b>BHTF:</b> button head thread forming	<b>HSBH:</b> hex socket button head	<b>ROPS:</b> roll-over protection system
<b>CARR:</b> carriage	<b>HSFH:</b> hex socket flat head	<b>RRB:</b> rear roller brush
<b>CCW:</b> counter clockwise	<b>HSH:</b> hex socket head	<b>SFH:</b> slotted fillister head
<b>CW:</b> clockwise	<b>HWH:</b> hex washer head	<b>SHH:</b> slotted hex head
<b>DEG:</b> degrees	<b>HWHTF:</b> hex washer head thread forming	<b>SHWH:</b> slotted hex washer head
<b>DPA:</b> Dual Point Adjustment	<b>HYD:</b> hydraulic	<b>SPH:</b> slotted pan head
<b>ECM:</b> electronic control module	<b>LH:</b> left hand	<b>SQH:</b> square head
<b>EXT:</b> external	<b>LP:</b> low pressure	<b>SRH:</b> slotted round head
<b>FH:</b> flat head	<b>LPG:</b> Liquefied Petroleum Gas	<b>STD:</b> standard
<b>GA:</b> gauge	<b>NI:</b> nylon insert	<b>TAP:</b> self tapping
<b>HD:</b> heavy-duty	<b>NPTF:</b> national pipe thread fine	<b>TTH:</b> torx truss head
<b>HF:</b> hex flange	<b>PFH:</b> phillips flat head	
<b>HH:</b> hex head	<b>PPH:</b> phillips pan head	
<b>HHF:</b> hex head flange	<b>PPHTF:</b> phillips pan head thread forming	
<b>HHFTF:</b> hex head flange thread forming	<b>PRH:</b> phillips round head	
<b>HJ:</b> hex jam		

# Touch Up Paint

Exmark black touch up spray paint – gloss black.

Exmark red touch up paint (spray paint – P/N 1-850337 - .6 oz liquid bottle – P/N 103-9140).

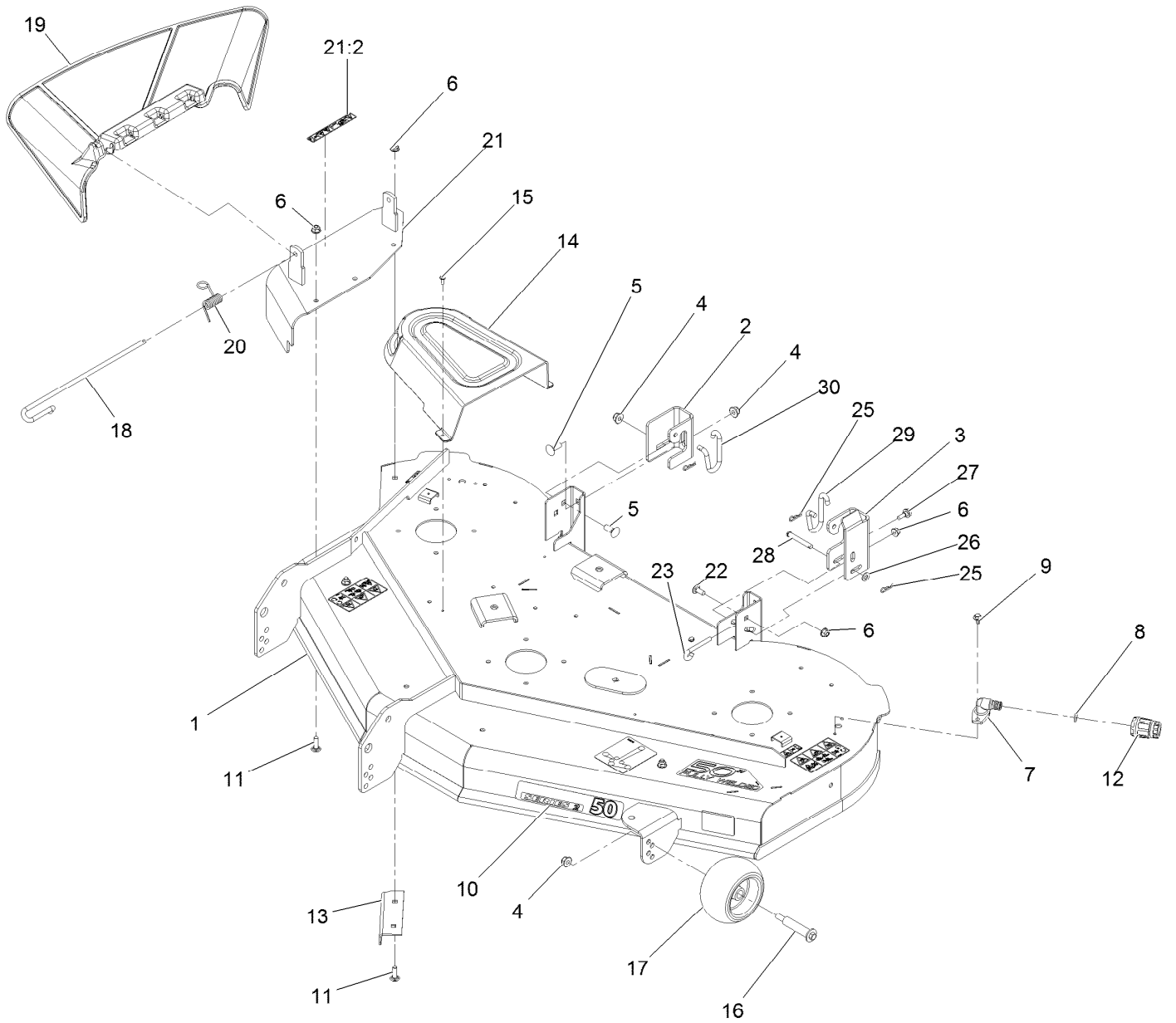


If your Exmark dealer does not have the Exmark part in stock, Exmark will get the parts to the dealer the next business day or the part will be FREE Guaranteed!! (Some restrictions apply. See your participating Exmark Dealer for details.)

## Contents

Deck Assembly . . . . .	4
50 Inch Deck Decal Assembly . . . . .	6
50 Inch Deck Belt, Spindle and Blade Assembly . . . . .	8
Main Frame and Front Axle Assembly . . . . .	10
13 Inch Wheel and Tire Assembly No. 119-3473 . . . . .	12
Deck Lift Assembly . . . . .	14
Motion Control Assembly . . . . .	16
Brake Assembly . . . . .	18
Seat Assembly . . . . .	20
Seat Assembly (cont) . . . . .	22
Controls and Fuel Tank Assembly . . . . .	24
Fuel Delivery Assembly . . . . .	26
Engine Assembly . . . . .	28
Fuel System Assembly Engine Assembly No. 127-9041 . . . . .	30
Carburetor Assembly No. 127-9249 . . . . .	32
Air Intake and Filtration Assembly Engine Assembly No. 127-9041 . . . . .	34
Ignition and Electrical Engine Assembly No. 127-9041 . . . . .	36
Crankcase Assembly Engine Assembly No. 127-9041 . . . . .	38
Governor Control Assembly Engine Assembly No. 127-9041 . . . . .	40
Piston and Cylinder Head Assembly Engine Assembly No. 127-9041 . . . . .	42
Blower Housing Assembly Engine Assembly No. 127-9041 . . . . .	44
Gasket and Seal Kit Engine Assembly No. 127-9041 . . . . .	46
Clutch Assembly . . . . .	48
Belt and Idler Assembly . . . . .	50
Hydro Transaxle Drive and Rear Wheel Assembly . . . . .	52
Electrical Assembly . . . . .	54
Fuse and Wire Harness Assembly . . . . .	56

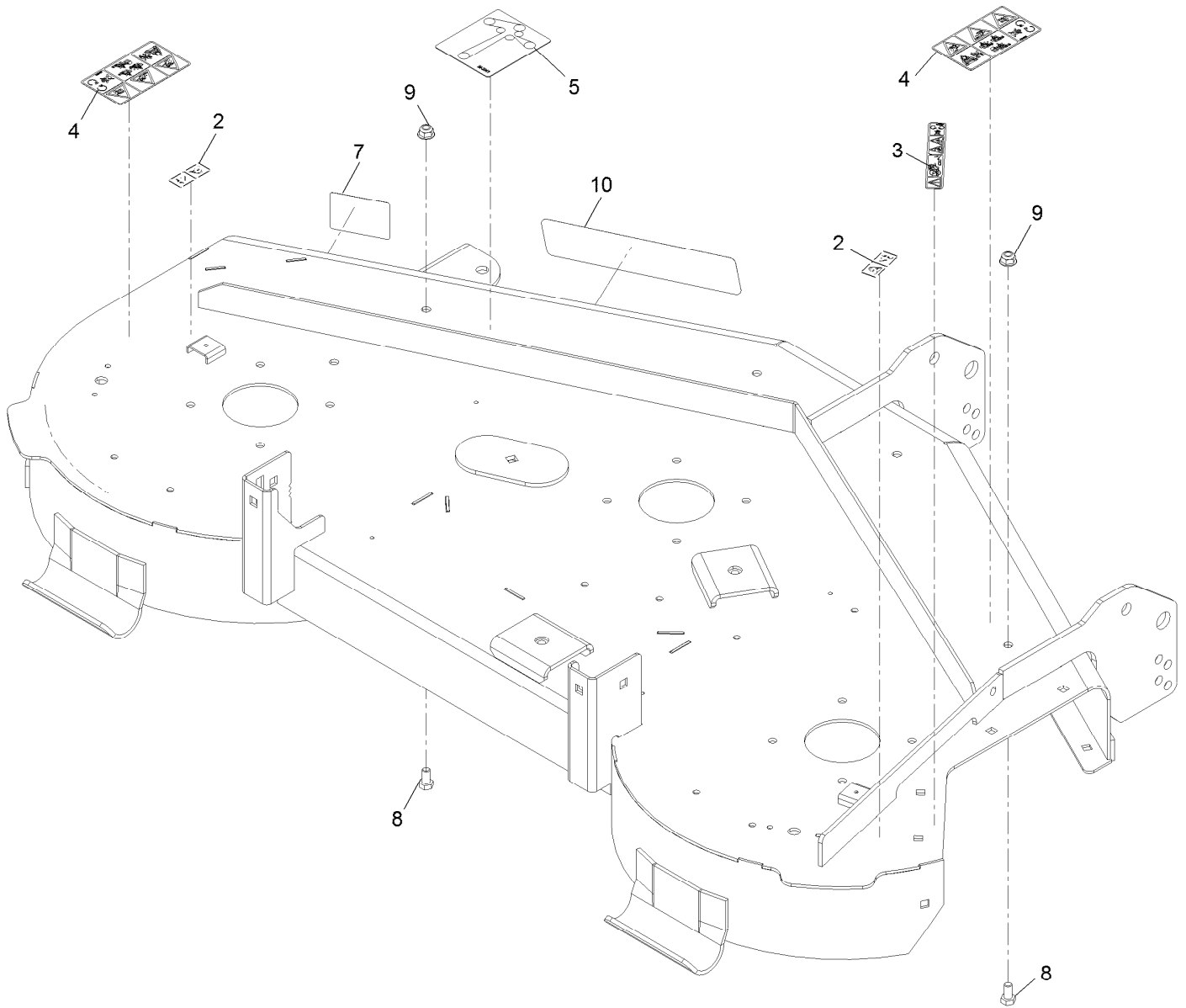
# Deck Assembly



## Deck Assembly (continued)

<i>Ref.</i>	<i>Part Number</i>	<i>Qty.</i>	<i>Description</i>	<i>Ref.</i>	<i>Part Number</i>	<i>Qty.</i>	<i>Description</i>
1	131-3614	1	50" Deck And Decal ASM	16	112-3977	3	Bolt-HH Shoulder 3/8-16 X 3.79
2	131-4138	1	Bracket-Hanger, RH	17	1-603299	3	Roller-Scalp, Anti
3	131-3935	1	Bracket-Hanger, LH	18	109-8854	1	Pin-Chute
4	104-8301	5	Nut-Nyloc 3/8-16 Flg	19	121-0739	1	Deflector-Discharge
5	3231-2	2	Bolt-Carriage 3/8-16 X 1	20	121-2983	1	Spring-Torsion
6	104-8300	6	Nut-Nyloc 5/16-18 Flg	21	131-3962	1	Cover ASM W/Decal
7	95-2747	2	Fitting-Washout	21:2	93-7009	1	Decal-Danger
8	46-6290	2	O-Ring	22	3230-23	1	Bolt-Carriage 5/16-18 X 3/4 Short Neck
9	46-8560	4	Screw-HHF 1/4-20 X 1/2	23	131-0955	1	Rod-Deck Level
10	126-1770	1	Decal-Series 2 - 50	25	1-806003	3	Hairpin-Cotter
11	3230-22	4	Bolt-Carriage 5/16-18 X 1 Sp	26	3256-23	1	Washer-5/16 Sae
12	95-3270	1	Connector-Hose	27	120-7024	1	Screw-Shoulder, HHF
13	120-7951-03	1	Baffle-Cutoff	28	110-0618	1	Pin-Clevis
14	108-7890	2	Cover-Belt	29	131-8734	1	Link-Deck Retention (RH)
15	32144-1	6	Screw-HWH #10-24 X 1/2 Taptite	30	131-4131	1	Link-Deck Retention (LH)

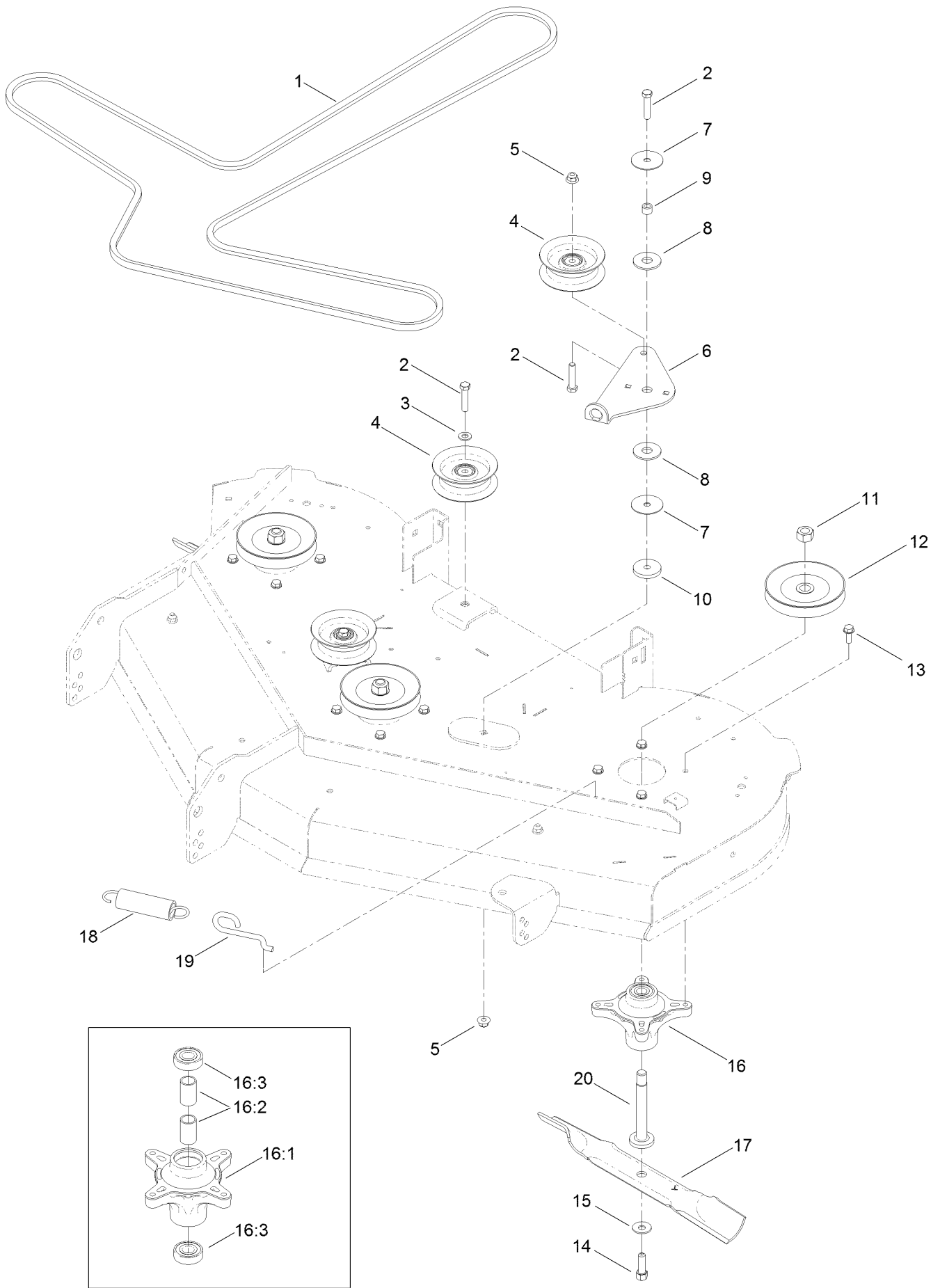
# 50 Inch Deck Decal Assembly



## 50 Inch Deck Decal Assembly (continued)

<i>Ref.</i>	<i>Part Number</i>	<i>Qty.</i>	<i>Description</i>	<i>Ref.</i>	<i>Part Number</i>	<i>Qty.</i>	<i>Description</i>
2	114-1606	2	Decal-Danger	7	112-9840	1	Decal-Scalp, Anti
3	93-7009	1	Decal-Danger	8	322-2	2	Screw-HH 5/16-18 X 5/8
4	110-6691	2	Decal-Danger	9	104-8300	2	Nut-Nyloc 5/16-18 Flg
5	99-3943	1	Decal-Routing, Belt	10	126-1770	1	Decal-Series 2 - 50

# 50 Inch Deck Belt, Spindle and Blade Assembly

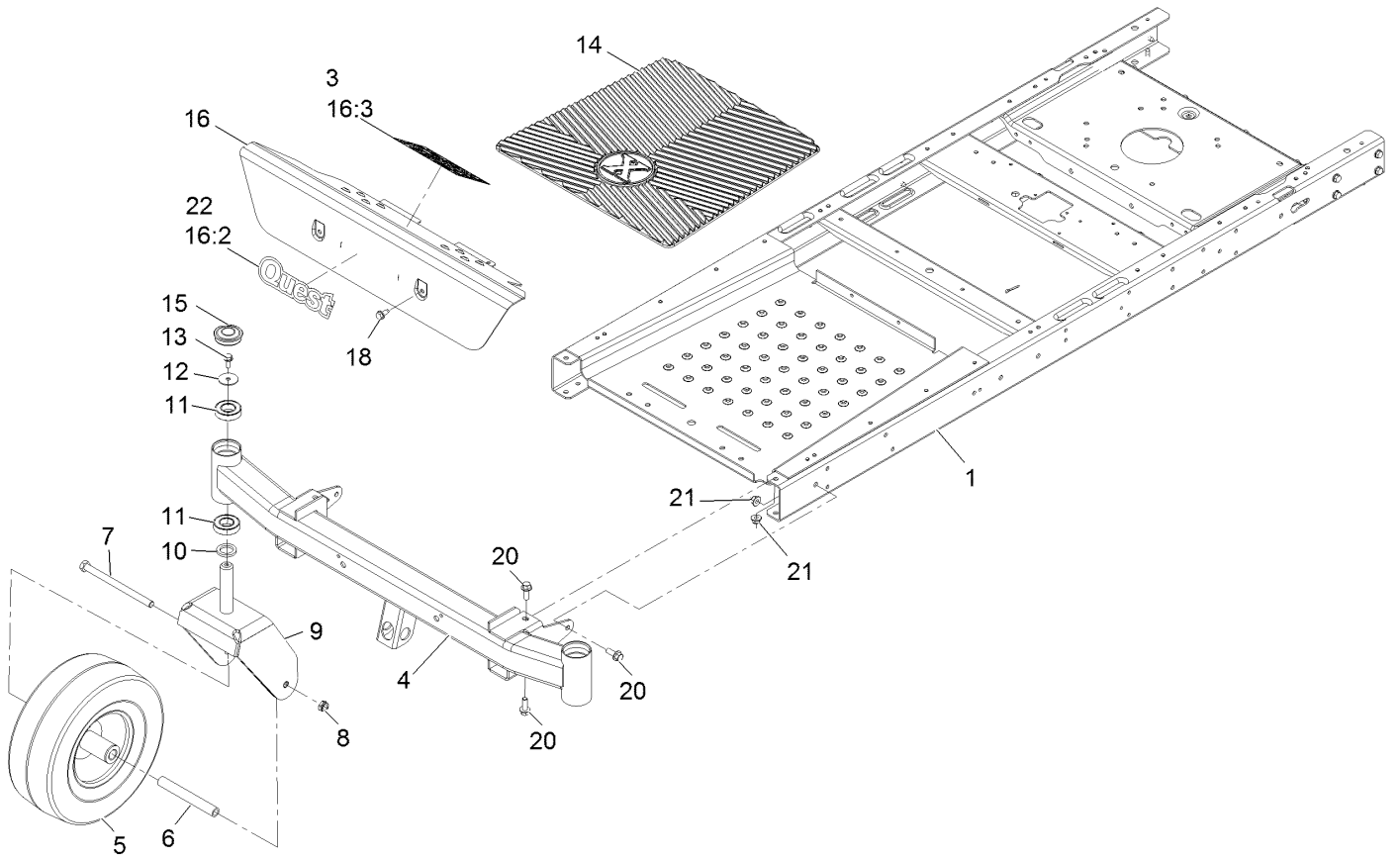




## 50 Inch Deck Belt, Spindle and Blade Assembly (continued)

<i>Ref.</i>	<i>Part Number</i>	<i>Qty.</i>	<i>Description</i>	<i>Ref.</i>	<i>Part Number</i>	<i>Qty.</i>	<i>Description</i>
1	119-8820	1	V-Belt	13	32144-41	12	Screw-Taptite
2	323-9	4	Screw-HH	14	26-0671	3	Screw-HH
3	3256-24	2	Washer-Flat	15	3290-465	3	Washer-Belleville
4	106-2175	3	Pulley-Idler, Flat	16	121-0751	3	Spindle ASM
5	104-8301	2	Nut-Flange, NI	16:1	117-7267	1	Spindle
6	114-8540	1	Arm-Idler	16:2	120-7935	2	Spacer
7	120-2229	2	Washer	16:3	100-1048	2	Bearing-Ball
8	114-0463	2	Washer-Friction, Composite	17	115-5059-03	3	Blade-Hi Lift
9	115-4986	1	Spacer	18	1-603414	1	Spring-Extension
10	110-9981	1	Washer-Plain	19	112-3973	1	Hook-Return, Spring
11	3219-6	3	Nut-Hex	20	117-7268	3	Shaft-Spindle
12	125-5575	3	Pulley				

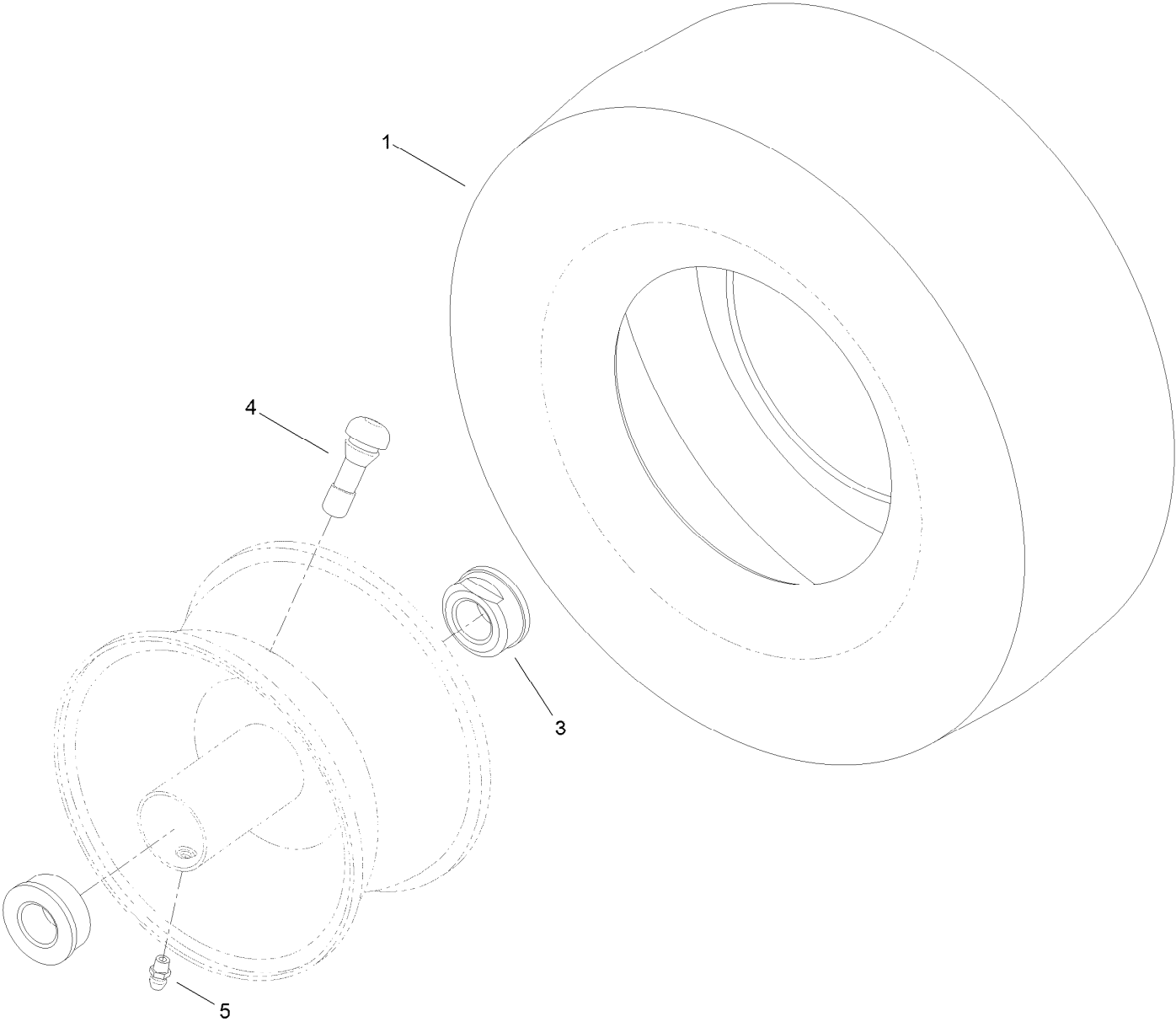
# Main Frame and Front Axle Assembly



## Main Frame and Front Axle Assembly (continued)

<i>Ref.</i>	<i>Part Number</i>	<i>Qty.</i>	<i>Description</i>	<i>Ref.</i>	<i>Part Number</i>	<i>Qty.</i>	<i>Description</i>
1	130-0699-01	1	Frame ASM	13	3234-47	2	Screw-HH Flg 5/16-18 X 3/4
3	132-0869	1	Decal-Danger	14	120-5456	1	Mat-Floor
4	125-1726-01	1	Axle ASM	15	116-4348	2	Cap-Grease
5	119-3473	2	13 Inch Wheel And Tire ASM	16	132-0891	1	Footrest ASM
6	119-3475	2	Spanner	16:2	116-4218	1	Decal
7	325-37	2	Screw-HH	16:3	132-0869	1	Decal-Danger
8	3296-45	2	Nut-Nyloc 1/2-13 Thin	18	32144-70	2	Screw-HWH 5/16-18 X 3/4 Tf
9	119-3349-01	2	Fork-Caster	20	3234-42	6	Screw HHF 3/8-16 X 1
10	117-7394	2	Washer-Thrust	21	104-8301	6	Nut-Nyloc 3/8-16 Flg
11	109-3678	4	Bearing-Ball	22	116-4218	1	Decal
12	3256-68	2	Washer-Flat				

# 13 Inch Wheel and Tire Assembly No. 119-3473

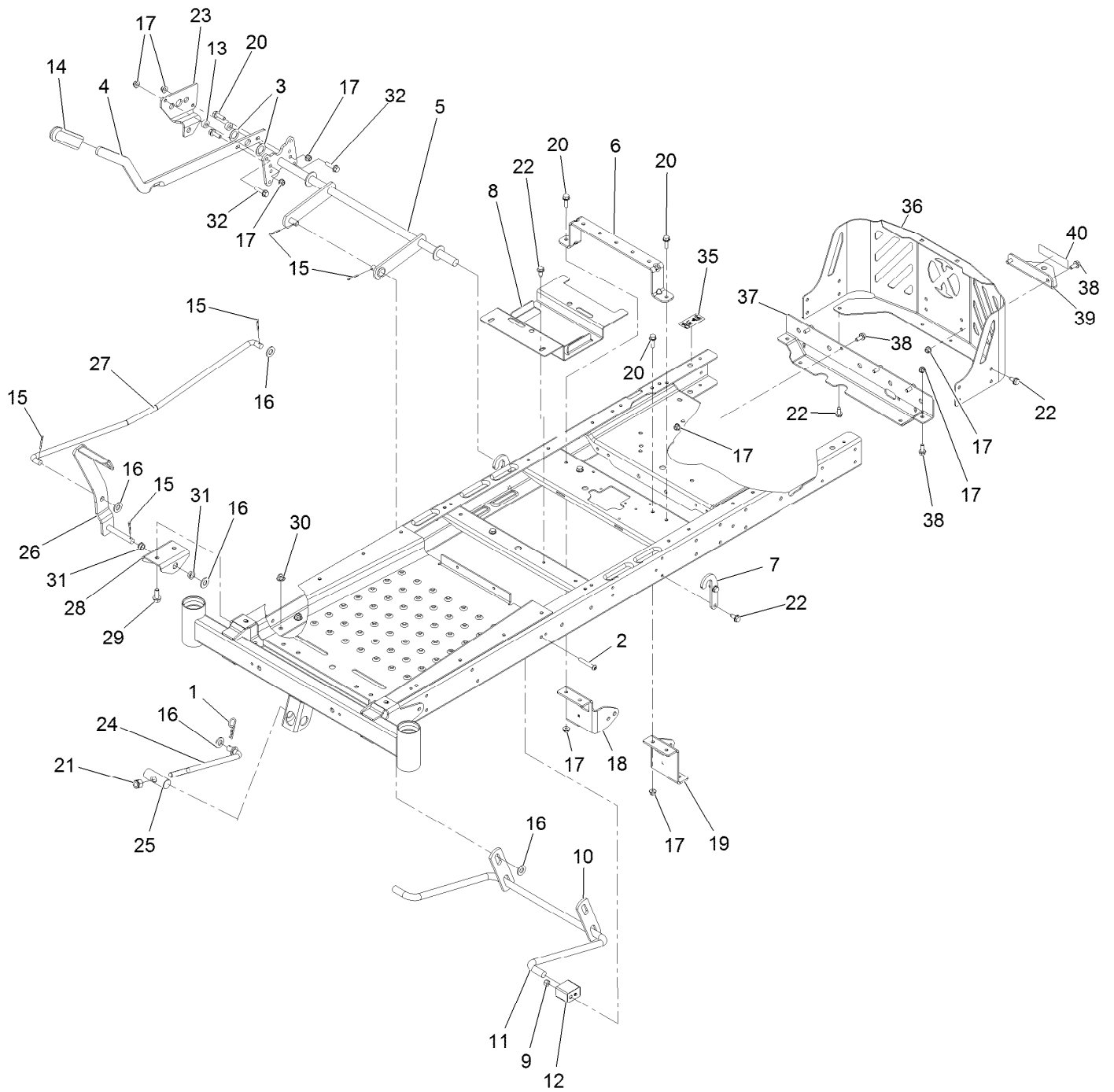


# 13 Inch Wheel and Tire Assembly No. 119-3473 (continued)

<i>Ref.</i>	<i>Part Number</i>	<i>Qty.</i>	<i>Description</i>	<i>Ref.</i>	<i>Part Number</i>	<i>Qty.</i>	<i>Description</i>
1	119-3471	1	Tire-13 Inch	5	302-5	1	Fitting-Grease
3	114-1640	2	Bushing-Flange	99	232-46	1	Tube ●
4	232-27	1	Stem-Valve				

● Not illustrated

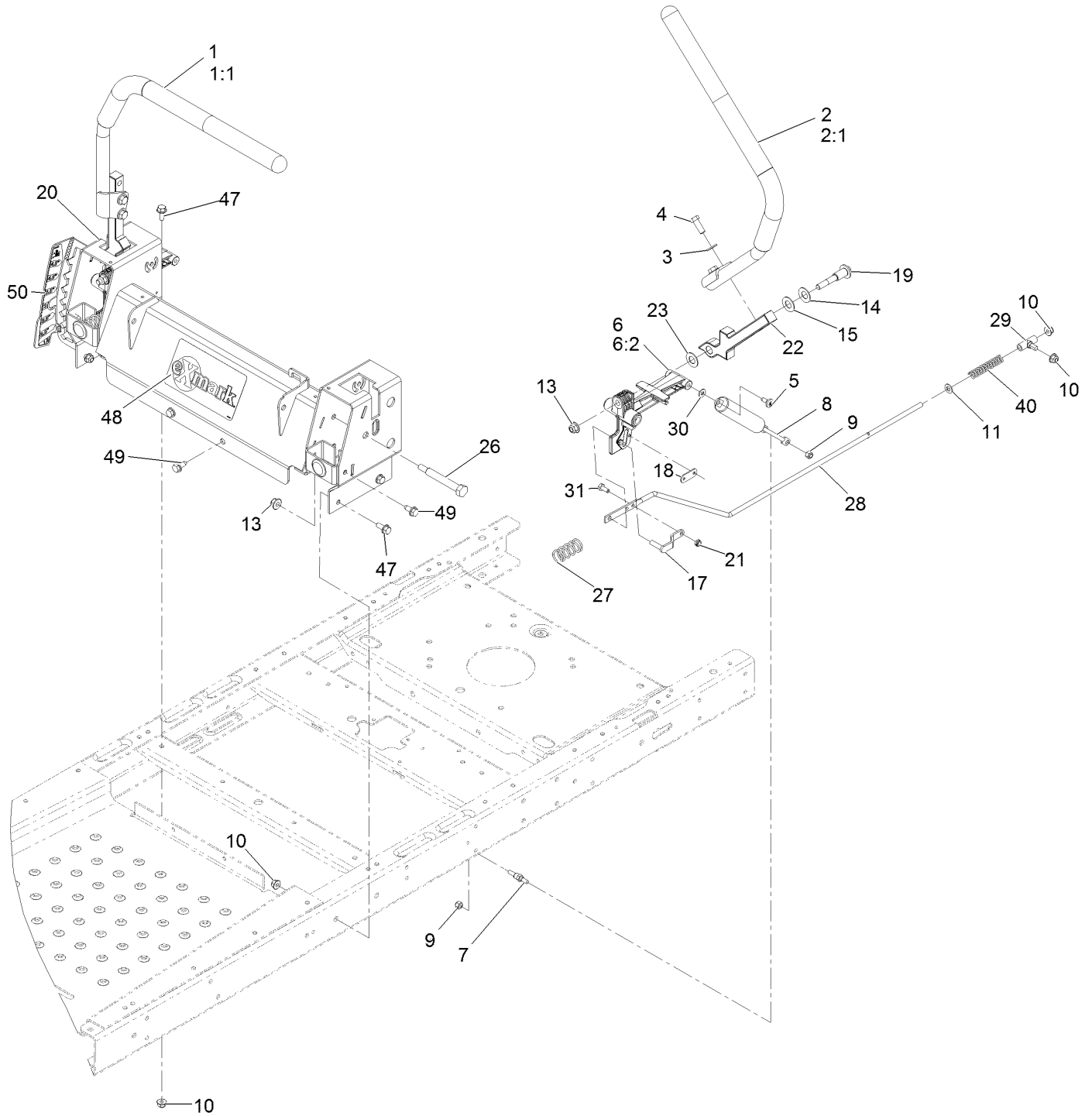
# Deck Lift Assembly



## Deck Lift Assembly (continued)

<i>Ref.</i>	<i>Part Number</i>	<i>Qty.</i>	<i>Description</i>	<i>Ref.</i>	<i>Part Number</i>	<i>Qty.</i>	<i>Description</i>
1	1-806005	1	Hairpin-Cotter	21	3296-19	1	Nut-Nyloc 1/2-20
2	120-5499	2	Screw-HSBH	22	32144-70	16	Screw-HWH 5/16-18 X 3/4 Tf
3	3-6498	2	Washer-Thrust	23	131-3933	1	Plate-Footlift
4	119-3427-03	1	Lever-Lift	24	131-3945	1	Rod-Mount, Deck
5	119-3424-03	1	Lift-Deck	25	119-8810	1	Pin-Pivot
6	117-7337-03	1	Brace-Seat, Rear	26	120-2276-03	1	Pedal
7	119-8875	2	Bracket-Lift	27	120-2242	1	Rod-Footlift
8	131-0914-03	1	Bracket-Battery	28	120-2294-03	1	Bracket-Footlift
9	3296-29	2	Nut-Nyloc 5/16-18	29	3234-42	2	Screw HHF 3/8-16 X 1
10	108-7840	2	Link-Lift	30	104-8301	2	Nut-Nyloc 3/8-16 Flg
11	119-3347	1	Arm-Lift, Rear	31	256-156	2	Bushing-Flange
12	108-7845	2	Block-Pivot	32	3234-36	2	Screw-HH Flg 5/16-18 X 1 1/4
13	121-1759	2	Spacer	35	121-2989	2	Decal-Bypass
14	1-633268	1	Grip-Lever	36	131-1018-03	1	Guard-Engine, Wide [black]
15	3272-11	5	Pin-Cotter 1/8 X 1	37	130-6946-01	1	Crossmember-Rear, Wide
16	3256-26	6	Washer-1/2 Sae	38	3234-47	8	Screw-HH Flg 5/16-18 X 3/4
17	104-8300	14	Nut-Nyloc 5/16-18 Flg	39	117-1232-03	1	Bracket-Hitch
18	131-0901-01	1	Mount-Hydro, Front Right	40	131-4036	1	Decal
19	131-0902-01	1	Mount-Hydro, Front Left				
20	3234-29	4	Screw-HH Flg 5/16-18 X 1				

# Motion Control Assembly

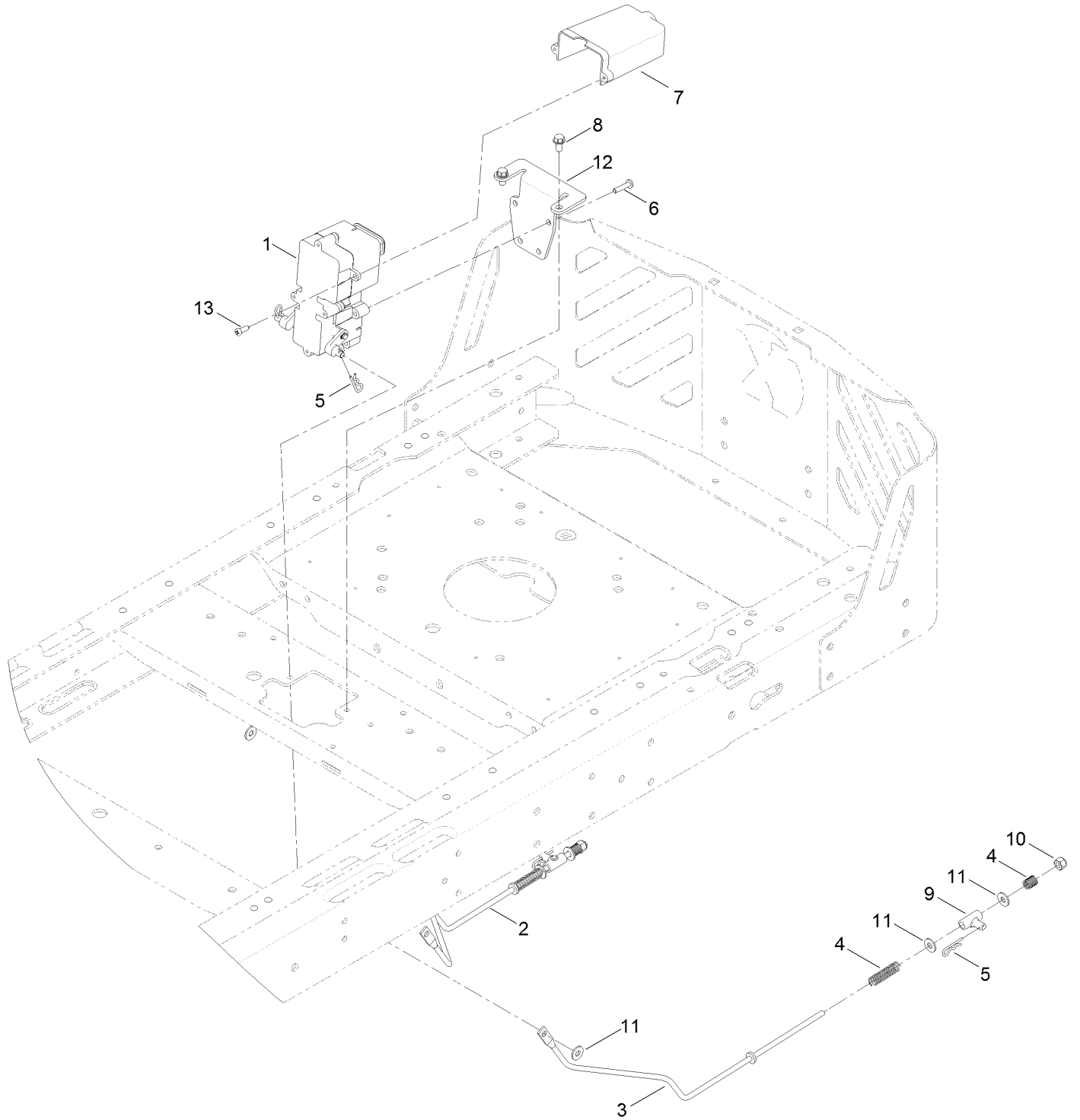




## Motion Control Assembly (continued)

<i>Ref.</i>	<i>Part Number</i>	<i>Qty.</i>	<i>Description</i>	<i>Ref.</i>	<i>Part Number</i>	<i>Qty.</i>	<i>Description</i>
1	121-0731	1	Handle-Control, RH	18	119-8948	2	Plate-Stop, Hydro
1:1	121-0726	1	Grip	19	117-1198	2	Bolt-Pivot
2	121-0730	1	Handle-Control, LH	20	131-1060-03	1	Control Box ASM
2:1	121-0726	1	Grip	21	3296-56	2	Nut-Nyloc 1/4-20 Thin
3	3256-24	4	Washer-3/8 Sae	22	115-5098-05	2	Lever-Control
4	323-6	4	Screw-HH 3/8-16 X 1	23	120-2273	2	Washer-Nylon
5	120-7950	2	Screw-Shoulder	26	115-5099	2	Bolt-Pivot
6	119-3470	2	Actuator Arm ASM	27	119-8876	2	Spring-Return
6:2	256-156	2	Bushing-Flange	28	117-5388	2	Rod-Hydro
7	110-6810	2	Stud-Damper	29	119-8842	2	Mount-Rod, Hydro
8	131-0964	2	Damper	30	119-8952	2	Washer
9	3296-42	4	Nut-Nyloc 1/4-20	31	321-3	2	Screw-HH 1/4-20 X 5/8
10	104-8300	10	Nut-Nyloc 5/16-18 Flg	40	1-603807	2	Spring
11	3256-23	2	Washer-5/16 Sae	47	3234-47	6	Screw-HH Flg 5/16-18 X 3/4
13	104-8301	4	Nut-Nyloc 3/8-16 Flg	48	116-4219	1	Decal
14	119-8925	2	Washer-Belleville	49	32144-70	4	Screw-HWH 5/16-18 X 3/4 Tf
15	117-1240	2	Washer	50	119-8870	1	Decal-HOC
17	119-3303	2	Pin-Rod, Hydro				

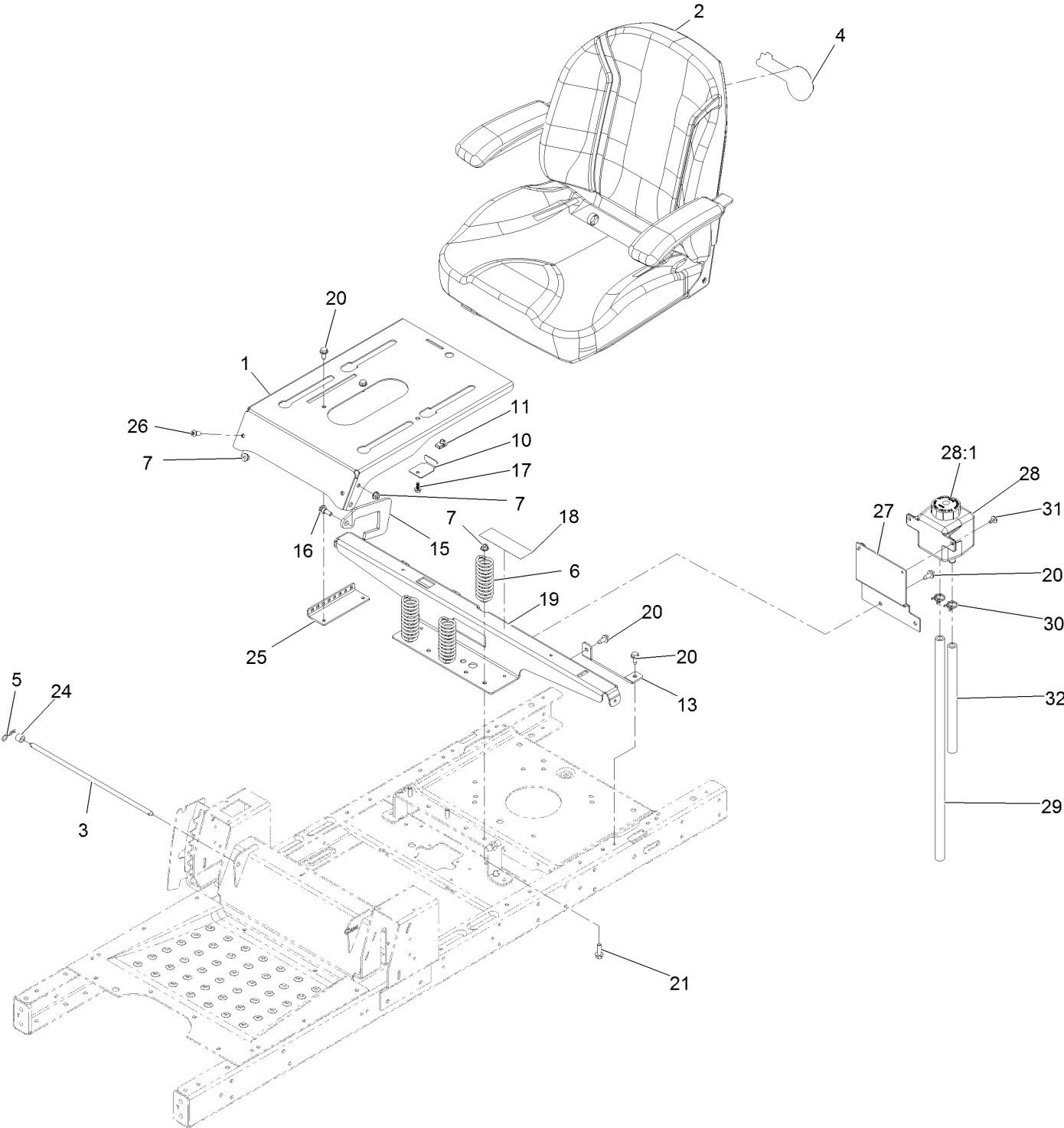
# Brake Assembly



## Brake Assembly (continued)

<i>Ref.</i>	<i>Part Number</i>	<i>Qty.</i>	<i>Description</i>	<i>Ref.</i>	<i>Part Number</i>	<i>Qty.</i>	<i>Description</i>
1	130-6892	1	Brake Box ASM	8	32144-4	2	Screw-HWH
2	119-8811	1	Rod-Brake, RH	9	119-8857	2	Mount-Pivot
3	119-8812	1	Rod-Brake, LH	10	3296-42	2	Nut-Lock, NI
4	121-5654	4	Spring-Compression	11	119-8952	6	Washer
5	3290-307	4	Pin-Cotter	12	130-0790-03	1	Bracket-Mount, Brake
6	32144-36	4	Screw-PPH	13	94-4496	2	Screw-PPH
7	130-6974	1	Cover-Connector				

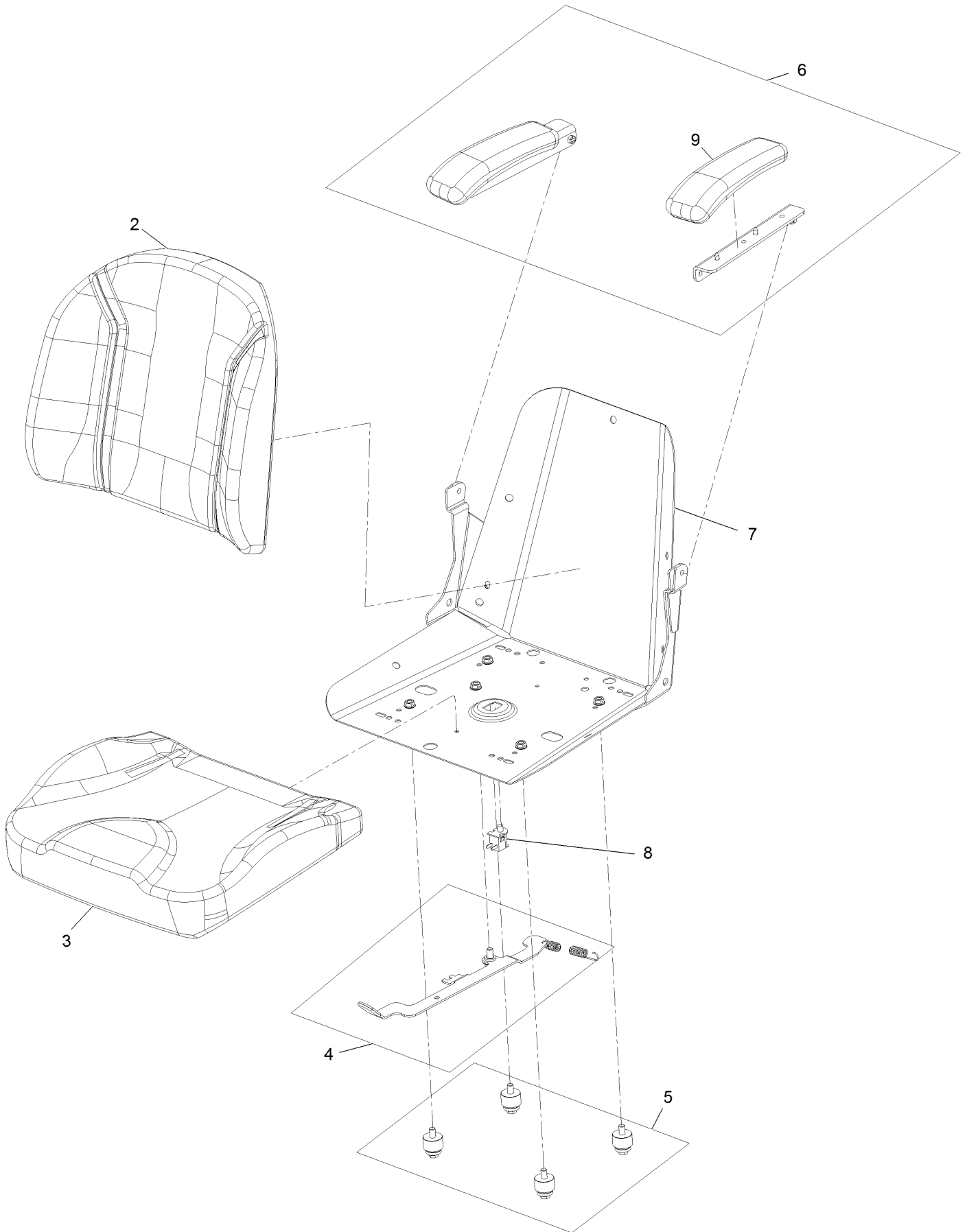
# Seat Assembly



## Seat Assembly (continued)

<i>Ref.</i>	<i>Part Number</i>	<i>Qty.</i>	<i>Description</i>	<i>Ref.</i>	<i>Part Number</i>	<i>Qty.</i>	<i>Description</i>
1	132-0919-03	1	Pan-Seat	19	131-1039-03	1	Support-Pod, Wide
2	131-4148	1	Seat ASM, Exmark	20	32144-70	7	Screw-HWH 5/16-18 X 3/4 Tf
3	115-4966	1	Rod-Stop	21	3234-29	3	Screw-HH Flg 5/16-18 X 1
4	120-5464	1	Decal	24	1-413088	2	Spacer
5	3290-250	2	Pin-Cotter	25	131-4008-03	1	Bracket-Latch, Seat
6	92-7054	3	Spring-Compression	26	131-4080	2	Screw-HSBH
7	104-8300	6	Nut-Nyloc 5/16-18 Flg	27	120-7970-03	1	Mount-Tank
10	131-1038	1	Bracket-Stop, Seat	28	109-2250	1	Vent-Tank, HYD
11	107069	1	Nut-Retainer-Panel 1/4-20	28:1	109-3320	1	Cap-Reservoir, HYD
13	119-3431-03	2	Support-Tank, Rear	29	121-2951	1	Hose-Overflow
15	131-3994	1	Plate-Stop	30	117-1193	4	Clamp-Hose
16	116-2670	1	Screw-Shoulder HHF 5/16-18 X .96	31	46-8560	2	Screw-HHF 1/4-20 X 1/2
17	99-6810	1	Screw-HH 1/4-20 X 5/8	32	121-2952	1	Hose-Overflow
18	106-8717	1	Decal-Service				

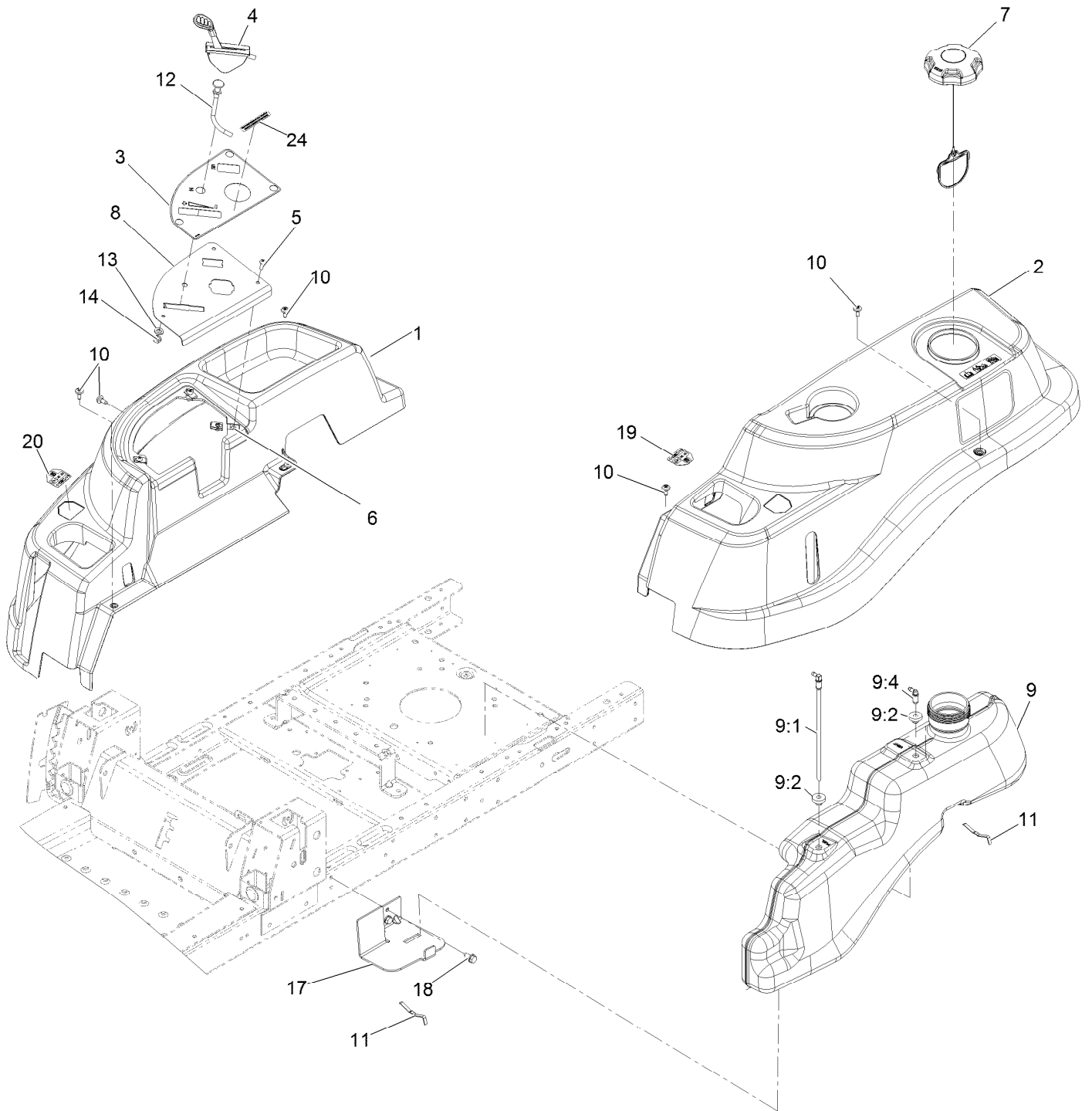
# Seat Assembly (cont)



## Seat Assembly (cont) (continued)

<i>Ref.</i>	<i>Part Number</i>	<i>Qty.</i>	<i>Description</i>	<i>Ref.</i>	<i>Part Number</i>	<i>Qty.</i>	<i>Description</i>
2	131-4150	1	Cushion-Seat, Back	6	131-4155	1	Armrest Kit
3	131-4152	1	Cushion-Seat, Bottom	7	131-4156	1	Shell
4	131-4153	1	Track ASM	8	82-2190	1	Switch-Bail
5	131-4154	1	Bushing ASM	9	110-4163	2	Cushion-Rest, Arm

# Controls and Fuel Tank Assembly





## Controls and Fuel Tank Assembly (continued)

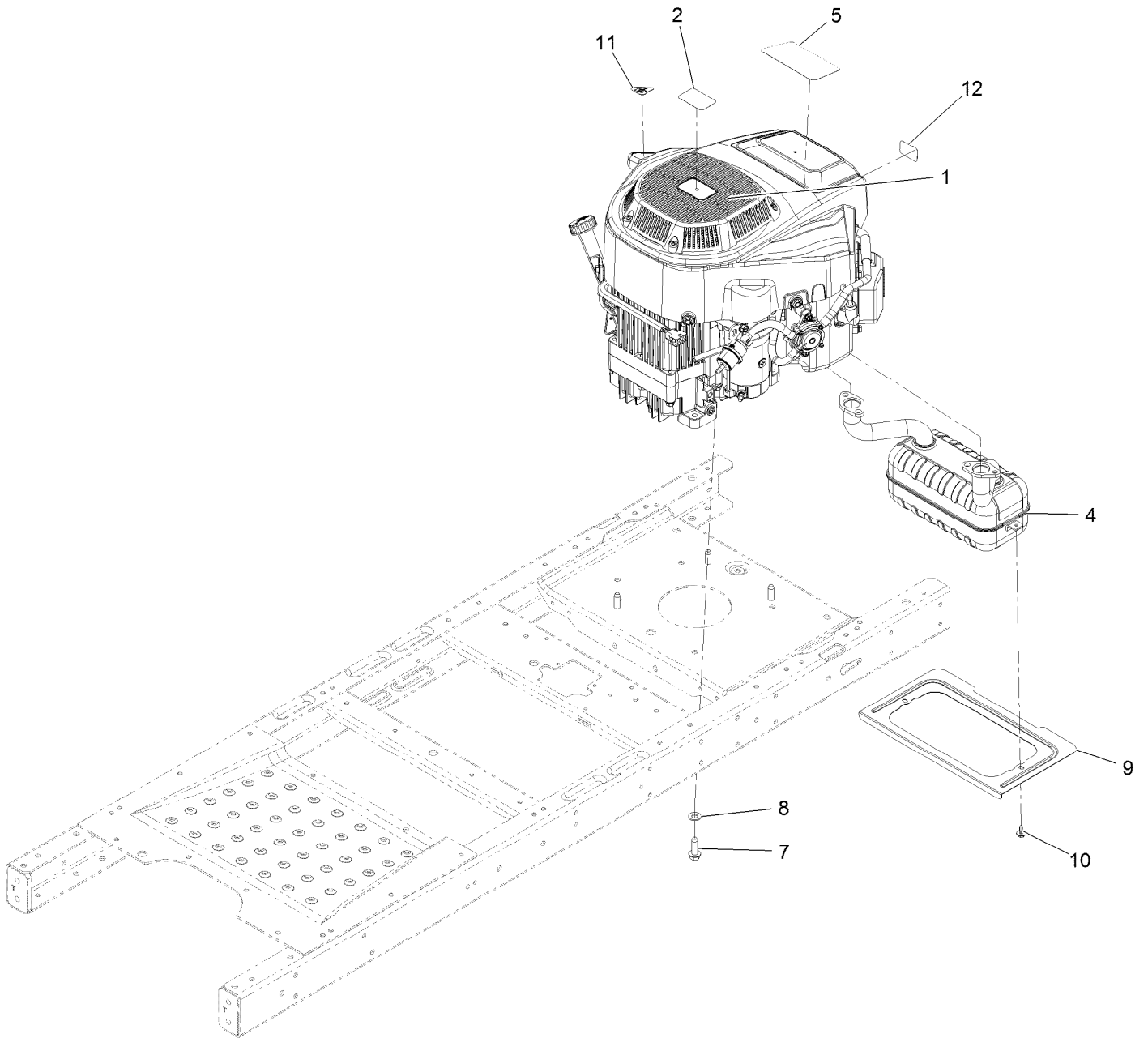
<i>Ref.</i>	<i>Part Number</i>	<i>Qty.</i>	<i>Description</i>	<i>Ref.</i>	<i>Part Number</i>	<i>Qty.</i>	<i>Description</i>
1	119-8963	1	Pod-RH	10	120-7950	6	Screw-Shoulder
2	119-8962	1	Pod-LH	11	609830	2	Spring
3	121-0773	1	Decal-Panel, Control	12	112-9753	1	Cable-Choke
4	120-2214	1	Cable-Throttle	13	3253-21	1	Washer-Lock 3/8
5	3258-166	3	Screw-PPH 1/4-20 X 3/4	14	3220-3	1	Nut-Jam 3/8-24
6	107069	3	Nut-Retainer-Panel 1/4-20	17	119-3395-03	1	Support-Tank, Front
7	120-5461	1	Cap-Fuel, Ratcheting	18	32144-70	2	Screw-HWH 5/16-18 X 3/4 Tf
8	119-3377-03	1	Plate-Control	19	119-8814	1	Decal-Control Lever, LH
9	119-3324	1	Fuel Tank ASM	20	119-8815	1	Decal-Control Lever, RH
9:1	121-0793	1	Connector-Elbow, 90 DEG	24	132-0904	1	Decal-Shutdown
9:2	46-6560	2	Bushing				
9:4	117-7400	1	Fitting-Plastic				



## Fuel Delivery Assembly (continued)

<i>Ref.</i>	<i>Part Number</i>	<i>Qty.</i>	<i>Description</i>	<i>Ref.</i>	<i>Part Number</i>	<i>Qty.</i>	<i>Description</i>
3	109-0281	1	Hose-Fuel	10	117-5399	1	Adaptor-Orifice
8	2412-98	3	Clamp-Hose	11	110-1876	1	Hose-Fuel
9	614249	1	Tie-Cable				

# Engine Assembly



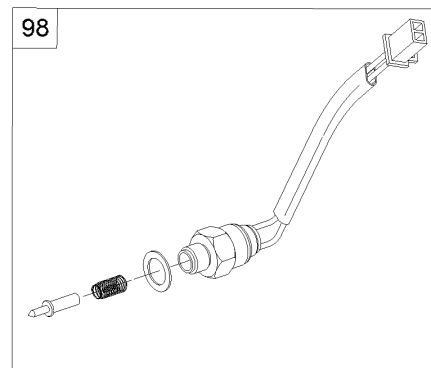
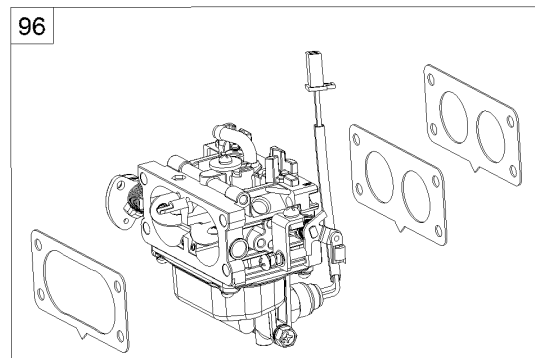
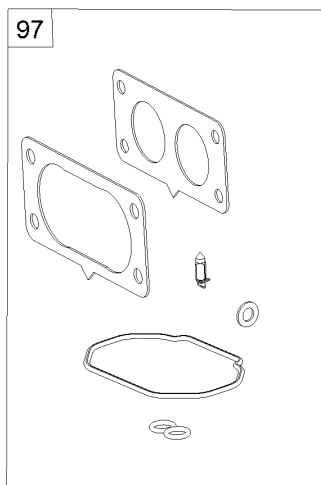
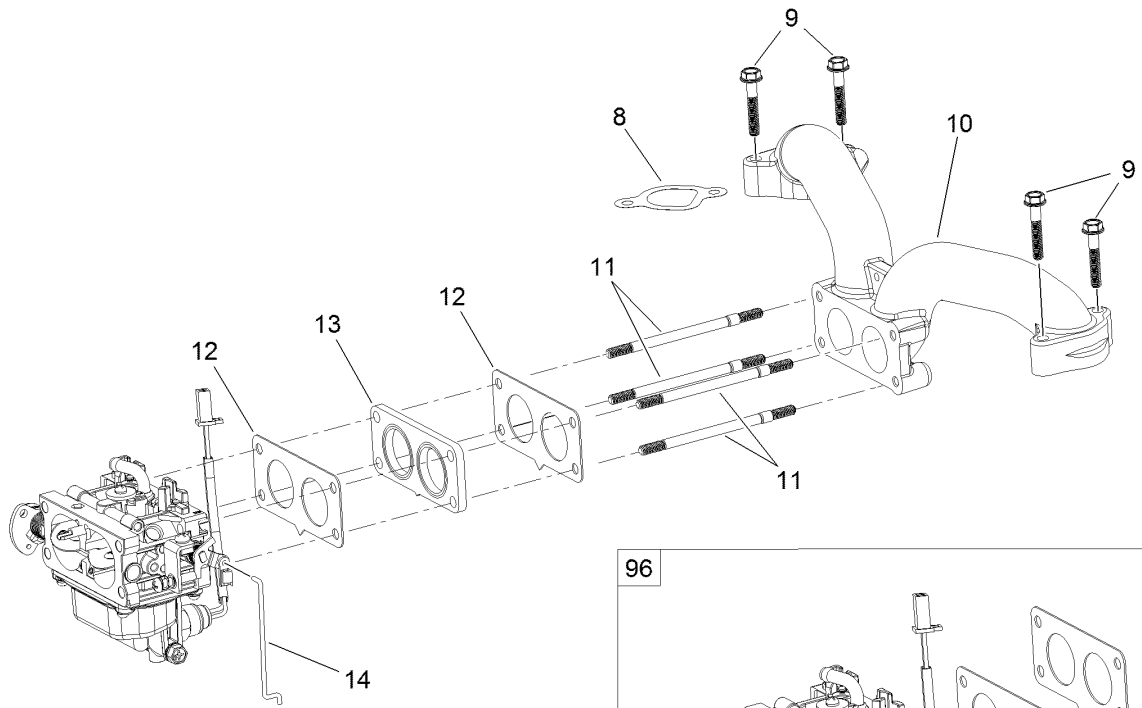
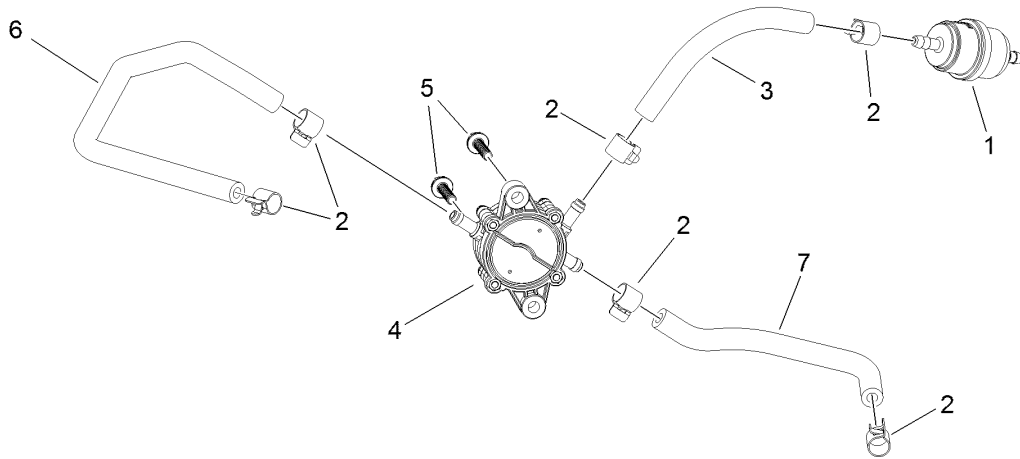
## Engine Assembly (continued)

<i>Ref.</i>	<i>Part Number</i>	<i>Qty.</i>	<i>Description</i>	<i>Ref.</i>	<i>Part Number</i>	<i>Qty.</i>	<i>Description</i>
1	127-9041	1	Engine-Lc2P77F	8	3256-24	3	Washer-3/8 Sae
2	131-1078	1	Decal	9	131-1071-03	1	Shield-Heat
4	131-4188	1	Muffler	10	46-8560	2	Screw-HHF 1/4-20 X 1/2
5	131-1079	1	Decal-Engine Displacement	11	131-1097	1	Decal-Drain, Oil
7	32144-109	4	Screw-HWH 3/8-16 X 1 1/4 Taptite	12	127-9077	1	Placard-Intake, Exmark
				99	127-9355	1	Sleeve-Fuel Line Protector ●

● Not illustrated

# Fuel System Assembly

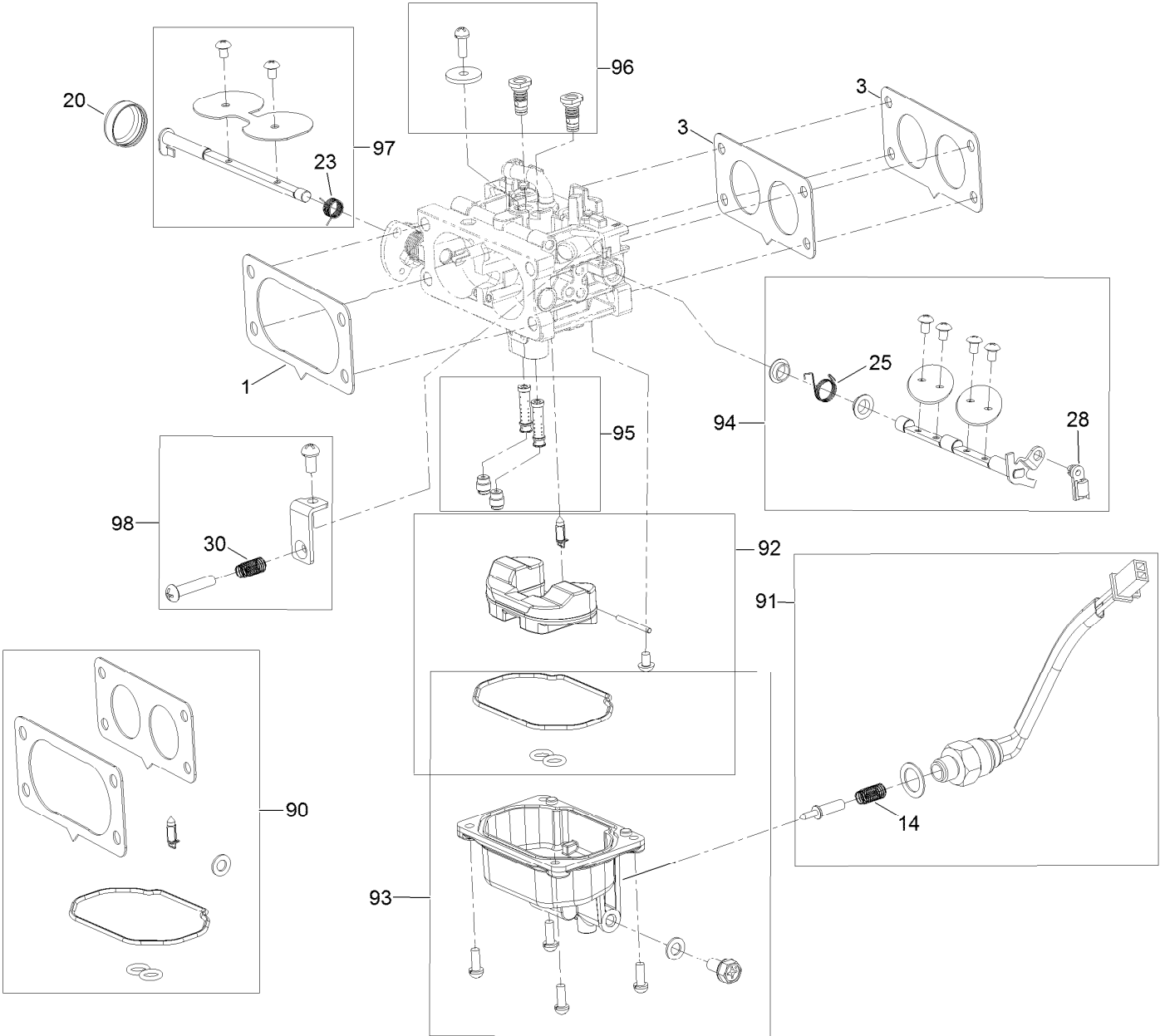
## Engine Assembly No. 127-9041



## Fuel System Assembly Engine Assembly No. 127-9041 (continued)

<i>Ref.</i>	<i>Part Number</i>	<i>Qty.</i>	<i>Description</i>	<i>Ref.</i>	<i>Part Number</i>	<i>Qty.</i>	<i>Description</i>
1	127-9204	1	Filter-Fuel	10	127-9244	1	Manifold-Intake
2	120-4251	6	Clamp-Fuel Line	11	127-9245	4	Stud
3	120-4371	1	Line-Fuel	12	127-9246	2	Gasket-Carburetor
4	127-9206	1	Pump-Fuel	13	127-9247	1	Insulator-Carburetor
5	120-4225	2	Screw-HHF	14	127-9248	1	Linkage-Throttle
6	127-9205	1	Hose-Fuel	96	127-9289	1	Carburetor Replacement Kit
7	127-9207	1	Hose-Fuel	97	127-9290	1	Carburetor Repair Kit
8	127-9230	2	Gasket-Intake	98	127-9292	1	Solenoid Kit
9	120-4284	4	Screw-HHF				

# Carburetor Assembly No. 127-9249

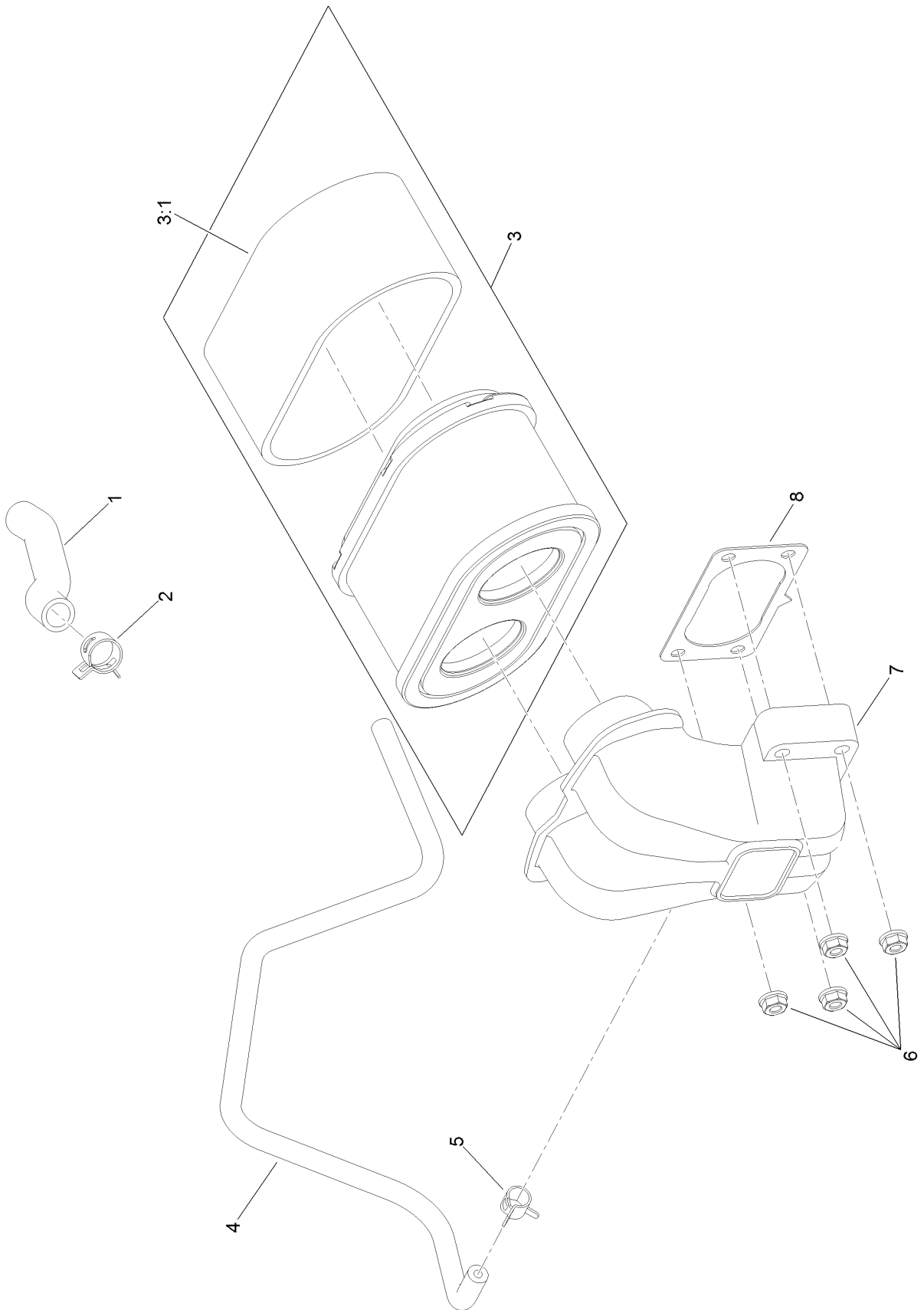




## Carburetor Assembly No. 127-9249 (continued)

<i>Ref.</i>	<i>Part Number</i>	<i>Qty.</i>	<i>Description</i>	<i>Ref.</i>	<i>Part Number</i>	<i>Qty.</i>	<i>Description</i>
1	127-9249	1	Carburetor	90	127-9290	1	Carburetor Repair Kit
1	127-9251	1	Gasket-Carburetor	91	127-9292	1	Solenoid Kit
3	127-9246	2	Gasket-Carburetor	92	127-9340	1	Float Kit
14	127-9319	1	Spring	93	127-9341	1	Bowl Kit
20	127-9325	1	Cover, Choke Shaft	94	127-9342	1	Throttle Shaft Kit
23	127-9328	1	Spring	95	127-9343	1	Needle And Jet Kit
25	127-9330	1	Spring	96	127-9344	1	Air Jet Kit
28	127-9333	1	Lock Clamp	97	127-9345	1	Choke Shaft Kit
30	127-9335	1	Spring	98	127-9347	1	Idlestop Kit

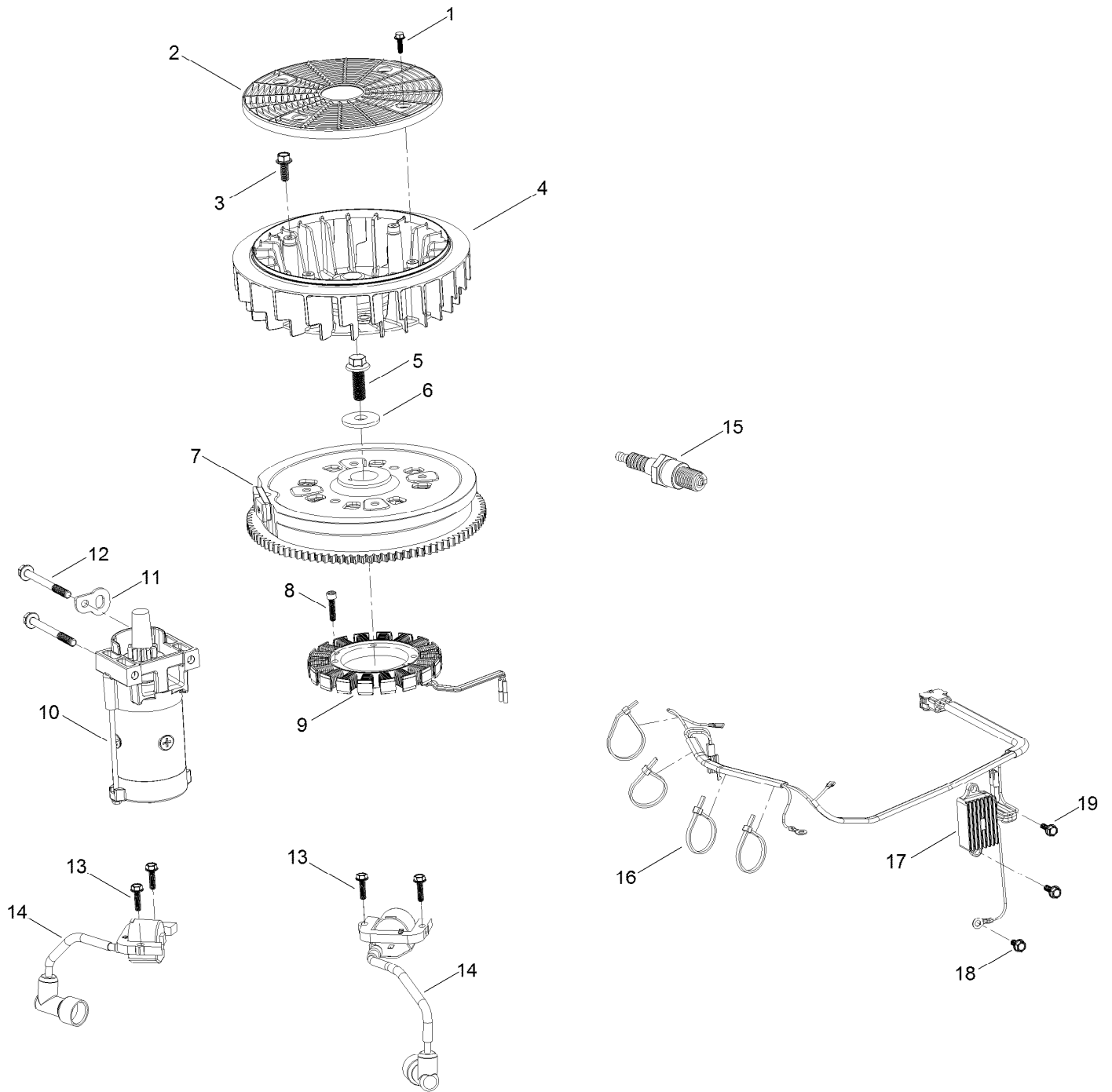
# Air Intake and Filtration Assembly Engine Assembly No. 127-9041



## Air Intake and Filtration Assembly Engine Assembly No. 127-9041 (continued)

<i>Ref.</i>	<i>Part Number</i>	<i>Qty.</i>	<i>Description</i>	<i>Ref.</i>	<i>Part Number</i>	<i>Qty.</i>	<i>Description</i>
1	127-9235	1	Tube-Breather	5	127-9187	1	Clamp-Hose
2	127-9234	2	Clamp-Hose	6	120-4236	4	Nut-Flange
3	127-9252	1	Filter-Air, Complete	7	127-9047	1	Manifold-Filter, Air
3:1	127-9288	1	Filter-Pre, Foam	8	127-9251	1	Gasket-Carburetor
4	127-9253	1	Hose-Fuel				

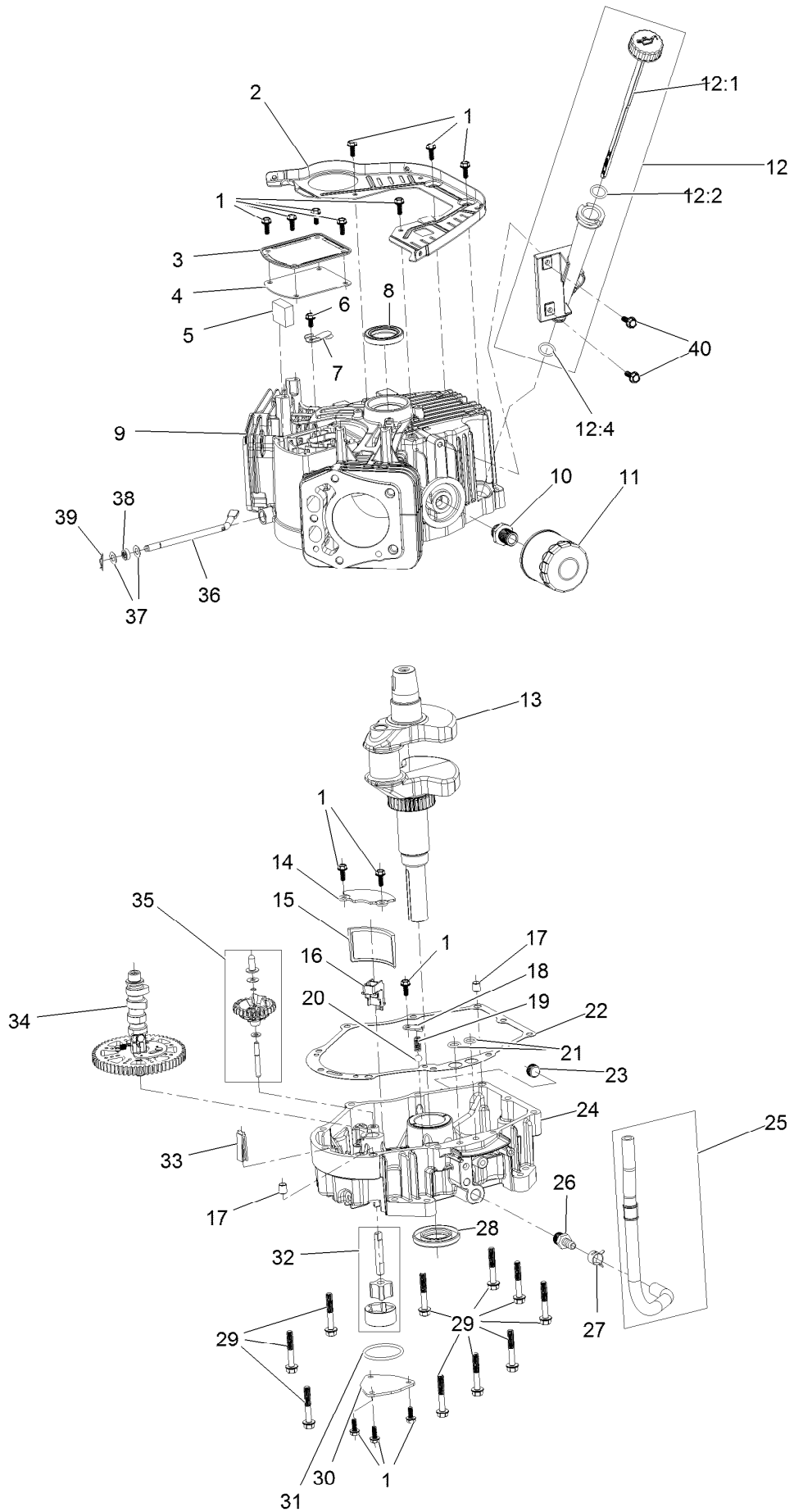
# Ignition and Electrical Engine Assembly No. 127-9041



## Ignition and Electrical Engine Assembly No. 127-9041 (continued)

<i>Ref.</i>	<i>Part Number</i>	<i>Qty.</i>	<i>Description</i>	<i>Ref.</i>	<i>Part Number</i>	<i>Qty.</i>	<i>Description</i>
1	127-9197	4	Screw-HWH	11	127-9208	1	Bracket-Lift
2	127-9198	1	Screen-Rotating	12	120-4231	2	Screw-HHF
3	127-9199	4	Screw-HWH	13	121-0007	4	Bolt-Flange
4	127-9200	1	Fan-Cooling	14	127-9216	2	Ignition Coil ASM
5	127-9201	1	Screw-HWH	15	81-3250	2	Spark Plug
6	127-9202	1	Washer-Flat	16	127-9220	4	Tie-Zip
7	127-9306	1	Flywheel	17	127-9219	1	Regulator-Voltage W/Harness
8	127-9210	4	Screw-HSH	18	120-4216	1	Screw-HHF
9	127-9211	1	Alternator	19	120-4232	2	Screw-HHF
10	127-9209	1	Motor-Starter				

# Crankcase Assembly Engine Assembly No. 127-9041

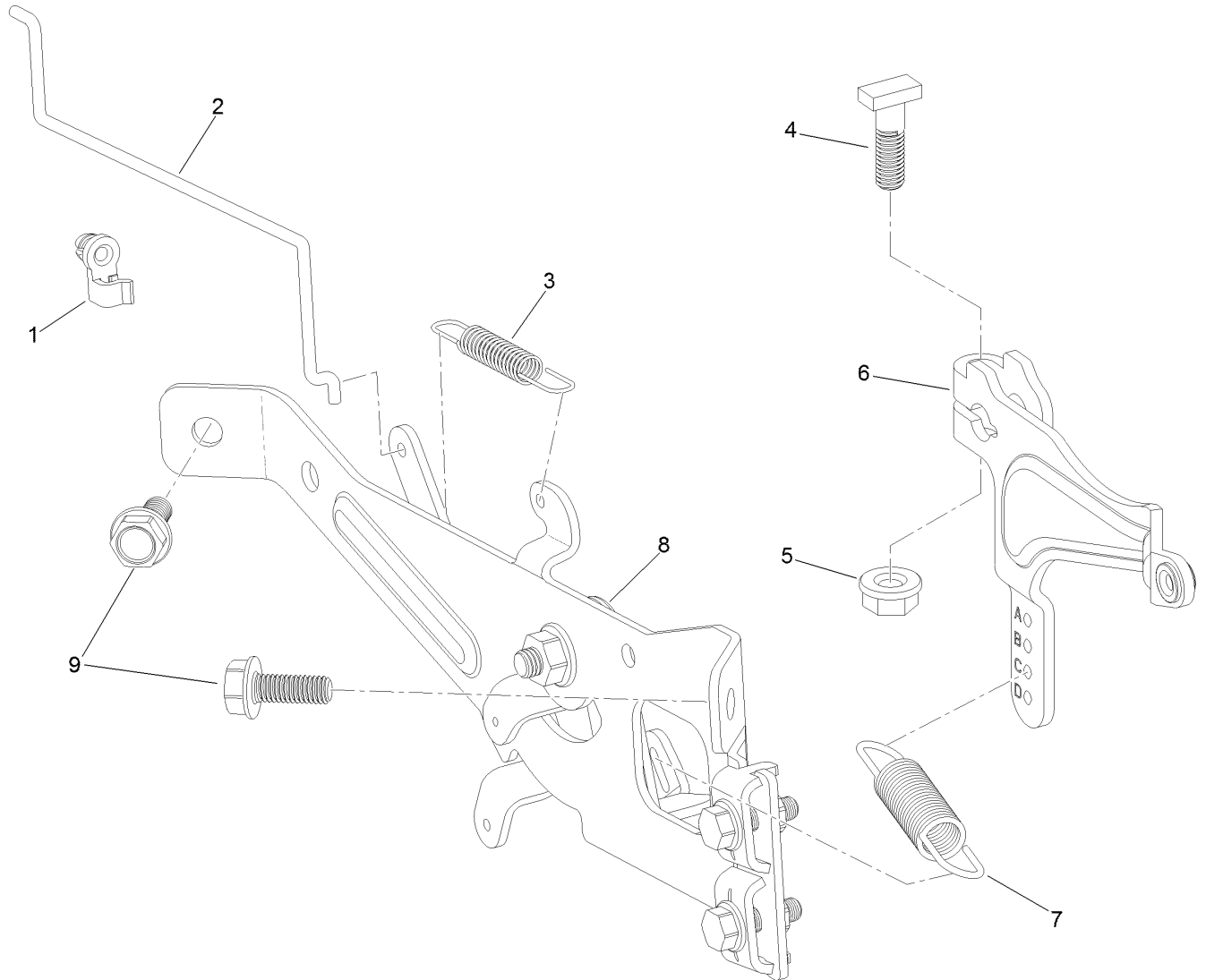


# Crankcase Assembly

## Engine Assembly No. 127-9041 (continued)

<i>Ref.</i>	<i>Part Number</i>	<i>Qty.</i>	<i>Description</i>	<i>Ref.</i>	<i>Part Number</i>	<i>Qty.</i>	<i>Description</i>
1	120-4232	14	Screw-HHF	20	127-9266	1	Valve-Ball
2	127-9212	1	Baffle	21	120-4262	2	O-Ring
3	127-9213	1	Cover-Breather	22	127-9267	1	Gasket-Cover, Crankcase
4	127-9214	1	Gasket-Breather	23	120-4285	1	Plug-Drain
5	127-9215	1	Filter-Breather	24	127-9268	1	Cover-Crankcase
6	120-4216	1	Screw-HHF	25	127-9293	1	Oil Drain Hose ASM
7	127-9217	1	Valve-Breather	26	127-9275	1	Fitting-Hose
8	120-4267	1	Seal-Oil	27	127-9276	1	Clamp-Hose
9	127-9223	1	Crankcase	28	127-9271	1	Seal
10	127-9221	1	Fitting-Threaded, Oil Filter	29	121-0473	10	Screw-HHF
11	120-4276	1	Filter-Oil	30	127-9274	1	Cover-Oil Pump
12	127-9218	1	Oil Tube ASM	31	127-9273	1	O-Ring
12:1	127-9283	1	Dipstick	32	127-9272	1	Oil Pump ASM
12:2	127-9284	1	O-Ring	33	120-4275	1	Deflector-Oil, Rubber
12:4	127-9286	1	O-Ring	34	127-9269	1	Camshaft
13	127-9255	1	Crankshaft	35	127-9270	1	Governor ASM
14	127-9261	1	Cover-Screen, Oil	36	127-9238	1	Rod-Governor
15	127-9262	1	Screen-Oil	37	120-4258	2	Washer-Plain
16	127-9263	1	Retainer-Screen	38	120-4257	1	Seal-Oil
17	120-4274	2	Pin-Dowel	39	120-4256	1	Pin-Hair
18	127-9264	1	Plate-Retainer	40	120-4232	2	Screw-HHF
19	127-9265	1	Spring				

# Governor Control Assembly Engine Assembly No. 127-9041



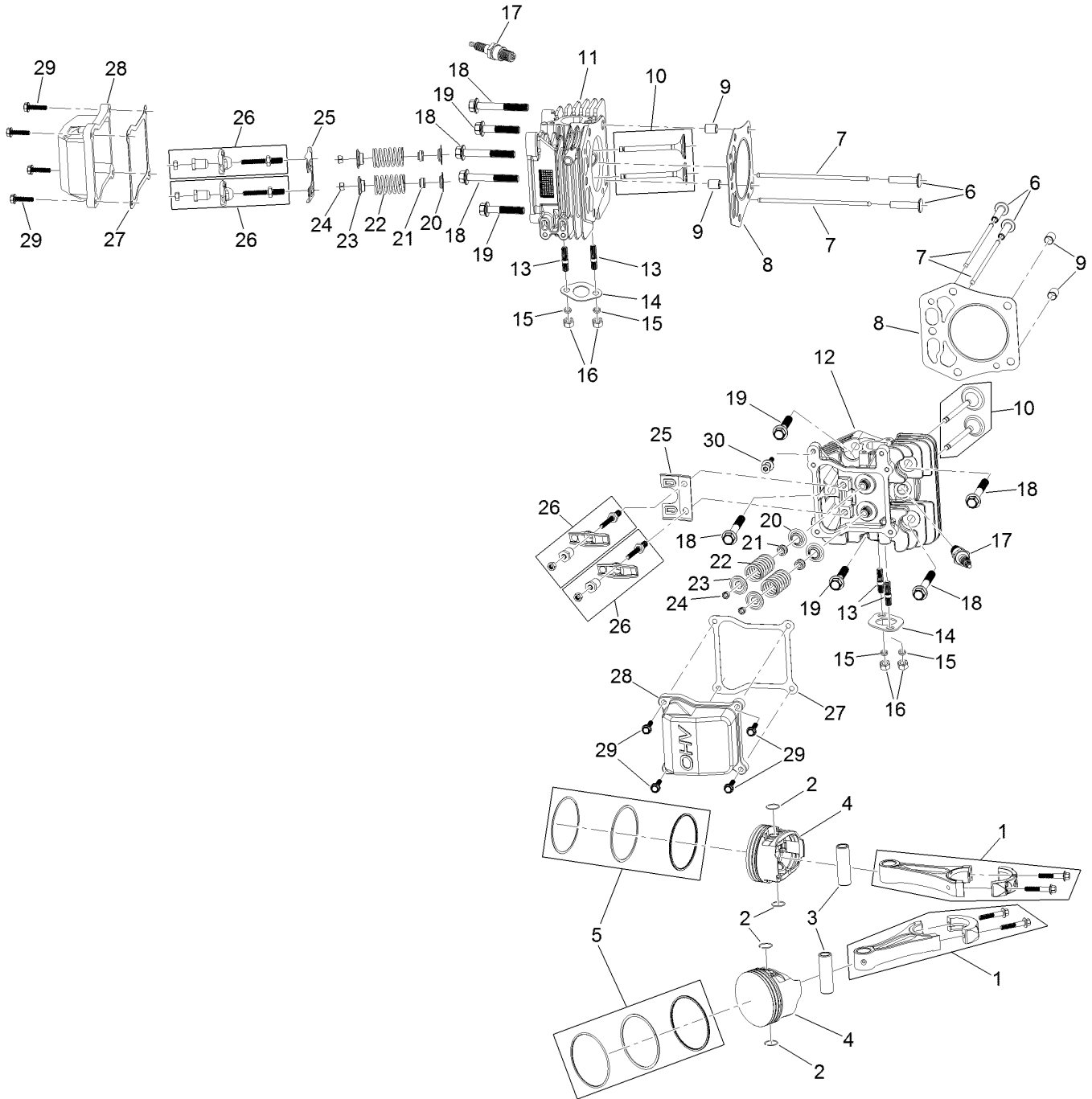


# Governor Control Assembly Engine Assembly No. 127-9041 (continued)

<i>Ref.</i>	<i>Part Number</i>	<i>Qty.</i>	<i>Description</i>	<i>Ref.</i>	<i>Part Number</i>	<i>Qty.</i>	<i>Description</i>
1	127-9250	1	Clip-Linkage	6	127-9239	1	Arm-Governor
2	127-9242	1	Linkage-Choke	7	127-9240	1	Spring-Governor
3	127-9241	1	Spring-Governor	8	127-9243	1	Plate-Control
4	120-4238	1	Bolt-Arm, Governor	9	120-4232	2	Screw-HHF
5	120-4236	1	Nut-Flange				

# Piston and Cylinder Head Assembly

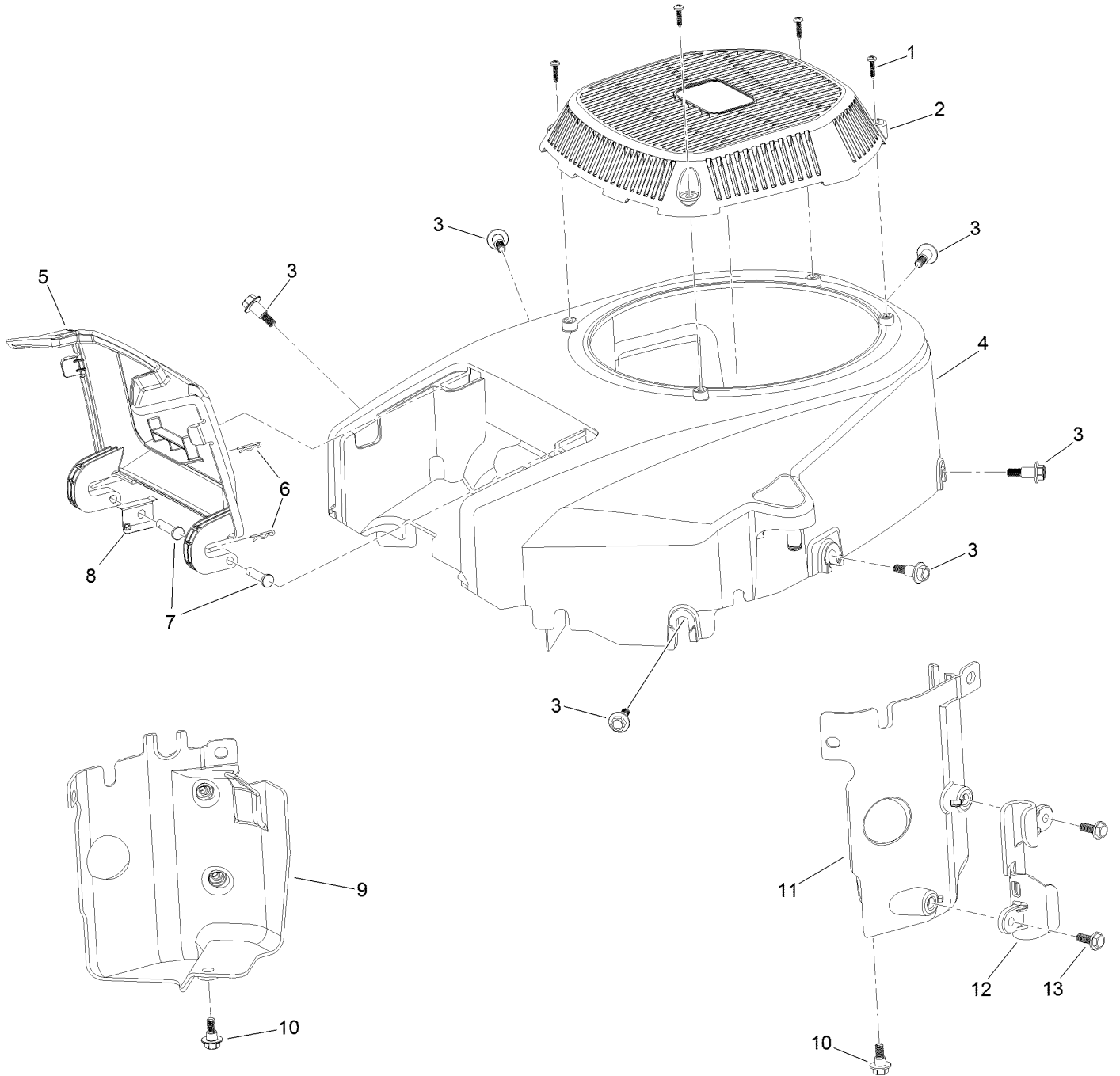
## Engine Assembly No. 127-9041



## Piston and Cylinder Head Assembly Engine Assembly No. 127-9041 (continued)

<i>Ref.</i>	<i>Part Number</i>	<i>Qty.</i>	<i>Description</i>	<i>Ref.</i>	<i>Part Number</i>	<i>Qty.</i>	<i>Description</i>
1	127-9256	2	Connecting Rod ASM	16	121-0199	4	Nut-HH
2	127-9258	4	Clip-Piston Pin	17	81-3250	2	Spark Plug
3	127-9257	2	Pin-Piston	18	127-9231	6	Screw-HWH
4	127-9259	2	Piston	19	127-9232	4	Screw-HWH
5	127-9260	2	Ring Set-Piston	20	120-4303	4	Seat-Spring, Valve
6	127-9224	4	Lifter-Valve	21	120-4304	4	Seal-Stem, Valve
7	127-9225	4	Rod-Push	22	120-4305	4	Spring-Valve
8	127-9226	2	Gasket-Cylinder Head	23	120-4306	4	Retainer-Spring, Valve
9	127-9227	4	Pin-Dowel	24	120-4307	4	Keeper-Valve
10	127-9228	2	Valve Set	25	127-9233	2	Plate-Push Rod, Guide
11	127-9229	1	Head-Cylinder	26	127-9294	4	Rocker Arm ASM
12	127-9254	1	Head-Cylinder	27	127-9295	2	Gasket-Valve Cover
13	127-9236	4	Stud	28	127-9050	2	Cover-Valve
14	120-4317	2	Gasket-Exhaust	29	120-4225	8	Screw-HHF
15	127-9279	4	Washer-Lock, Split	30	120-4214	1	Screw-Shoulder, HH

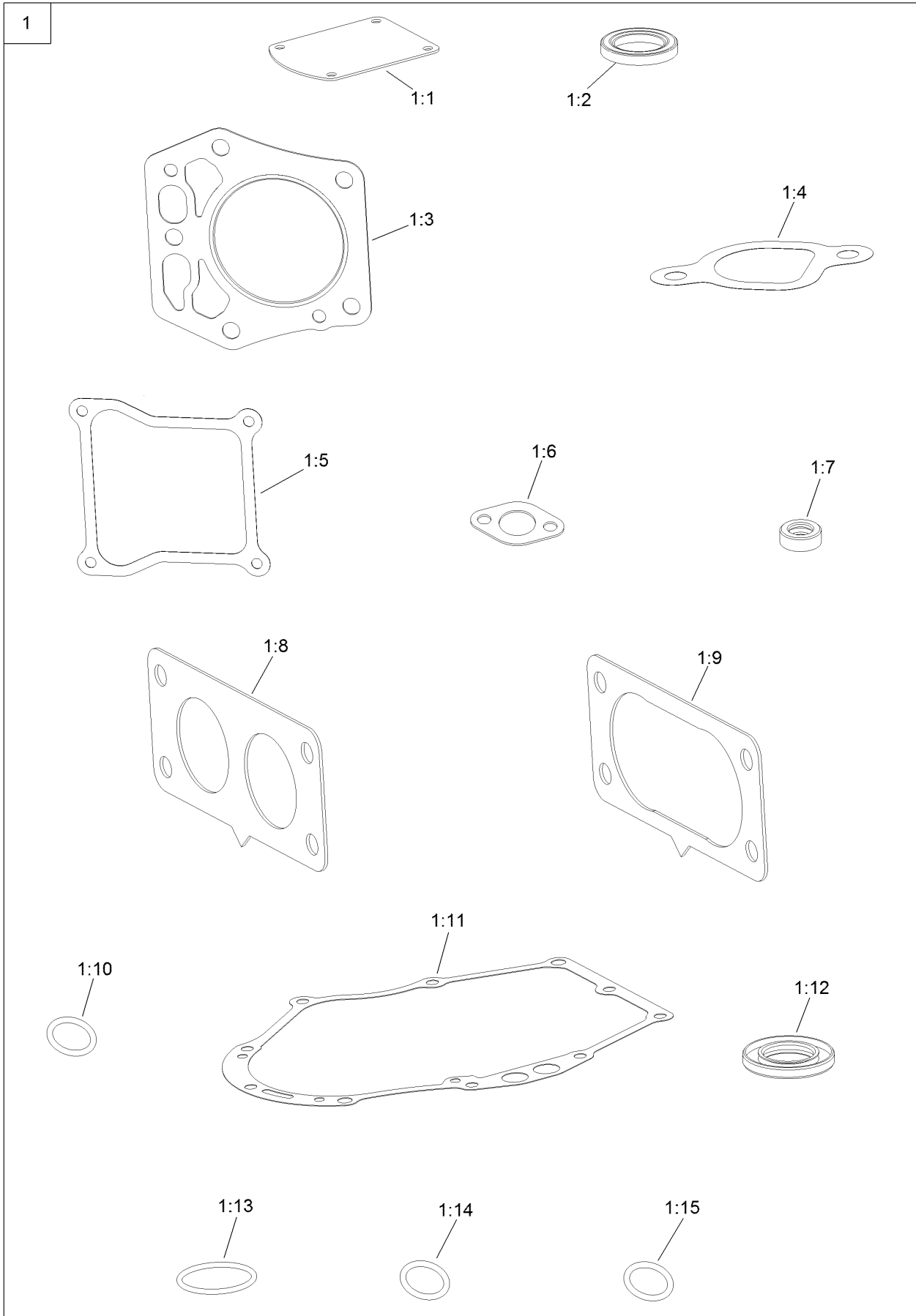
# Blower Housing Assembly Engine Assembly No. 127-9041



## Blower Housing Assembly Engine Assembly No. 127-9041 (continued)

<i>Ref.</i>	<i>Part Number</i>	<i>Qty.</i>	<i>Description</i>	<i>Ref.</i>	<i>Part Number</i>	<i>Qty.</i>	<i>Description</i>
1	127-9195	4	Screw-Plastic, PPH	8	127-9281	1	Plate-Spring
2	127-9045	1	Cover-Fan	9	127-9049	1	Baffle-Air, Left
3	127-9196	6	Screw-Shoulder, HWH	10	120-4210	2	Screw-Shoulder, HHF
4	127-9044	1	Shroud-Engine	11	127-9048	1	Baffle-Air, Right
5	127-9046	1	Door-Filter, Air	12	127-9287	1	Cleat-Hose
6	127-9280	2	Pin-Hair	13	120-4232	2	Screw-HHF
7	127-9282	2	Pin				

# Gasket and Seal Kit Engine Assembly No. 127-9041

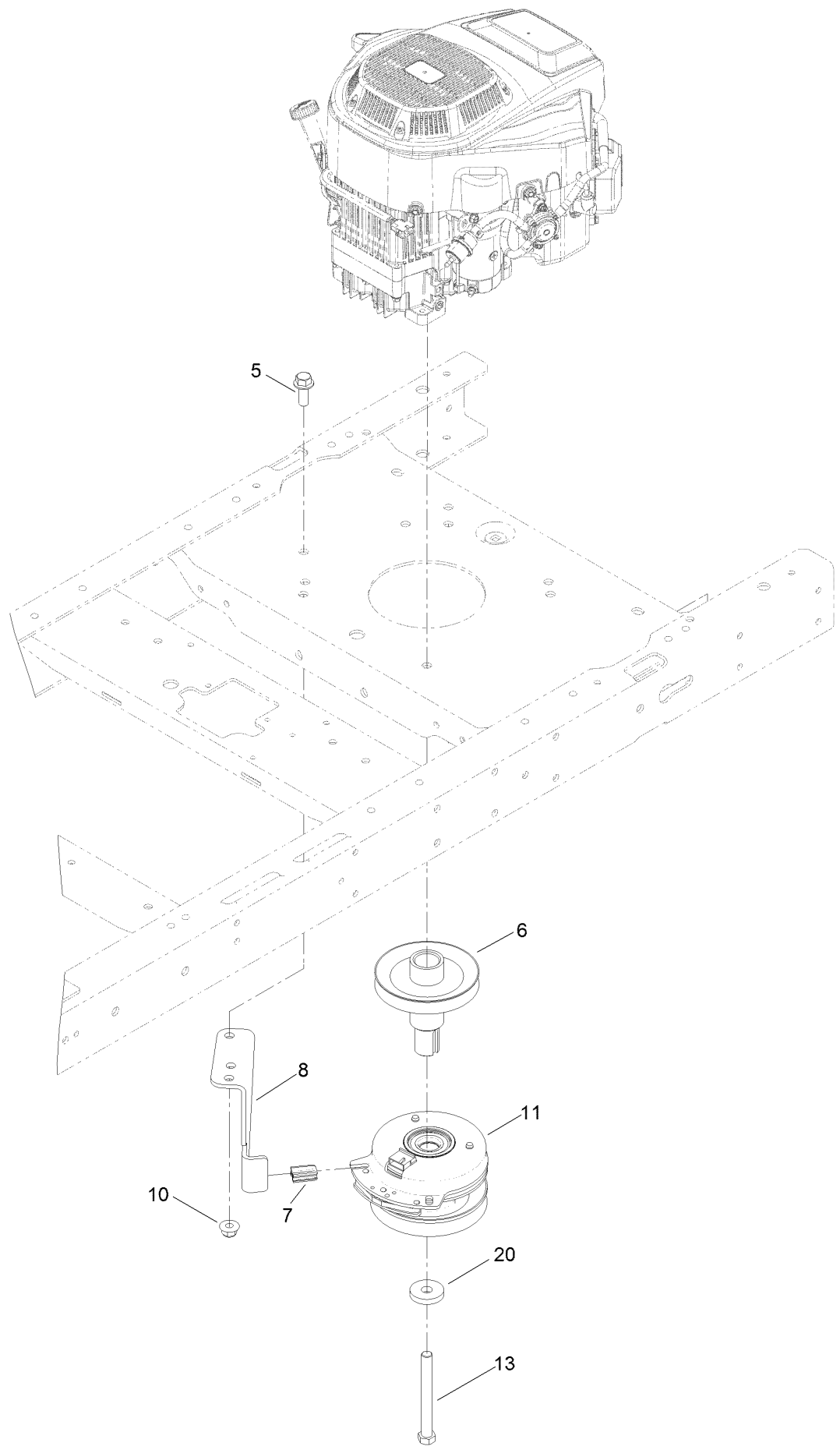


## Gasket and Seal Kit

### Engine Assembly No. 127-9041 (continued)

<i>Ref.</i>	<i>Part Number</i>	<i>Qty.</i>	<i>Description</i>	<i>Ref.</i>	<i>Part Number</i>	<i>Qty.</i>	<i>Description</i>
1	127-9296	1	Gasket And Seal Kit	1:8	127-9246	2	Gasket-Carburetor
1:1	127-9214	1	Gasket-Breather	1:9	127-9251	1	Gasket-Carburetor
1:2	120-4267	1	Seal-Oil	1:10	120-4262	2	O-Ring
1:3	127-9226	2	Gasket-Cylinder Head	1:11	127-9267	1	Gasket-Cover, Crankcase
1:4	127-9230	2	Gasket-Intake	1:12	127-9271	1	Seal
1:5	127-9295	2	Gasket-Valve Cover	1:13	127-9273	1	O-Ring
1:6	120-4317	2	Gasket-Exhaust	1:14	127-9284	1	O-Ring
1:7	120-4257	1	Seal-Oil	1:15	127-9286	1	O-Ring

# Clutch Assembly

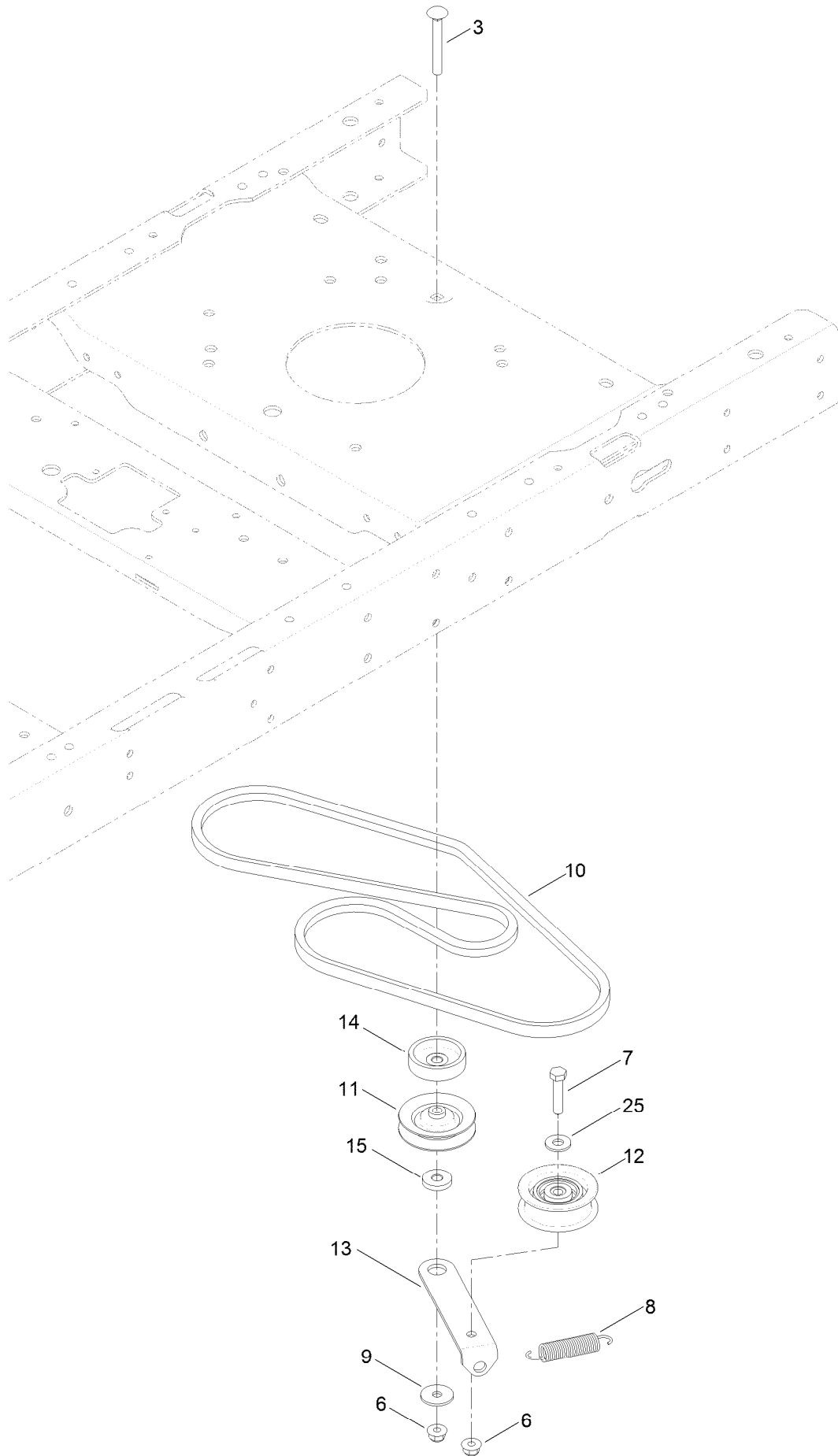




## Clutch Assembly (continued)

<i>Ref.</i>	<i>Part Number</i>	<i>Qty.</i>	<i>Description</i>	<i>Ref.</i>	<i>Part Number</i>	<i>Qty.</i>	<i>Description</i>
5	3234-42	1	Screw-HHF	10	104-8301	1	Nut-Flange, NI
6	130-6854	1	Pulley-Engine	11	127-3410	1	Clutch-PTO
7	120-2217	1	Isolator-Clutch	13	3212-19	1	Screw-HH
8	119-8885	1	Stop-Clutch	20	112843	1	Washer

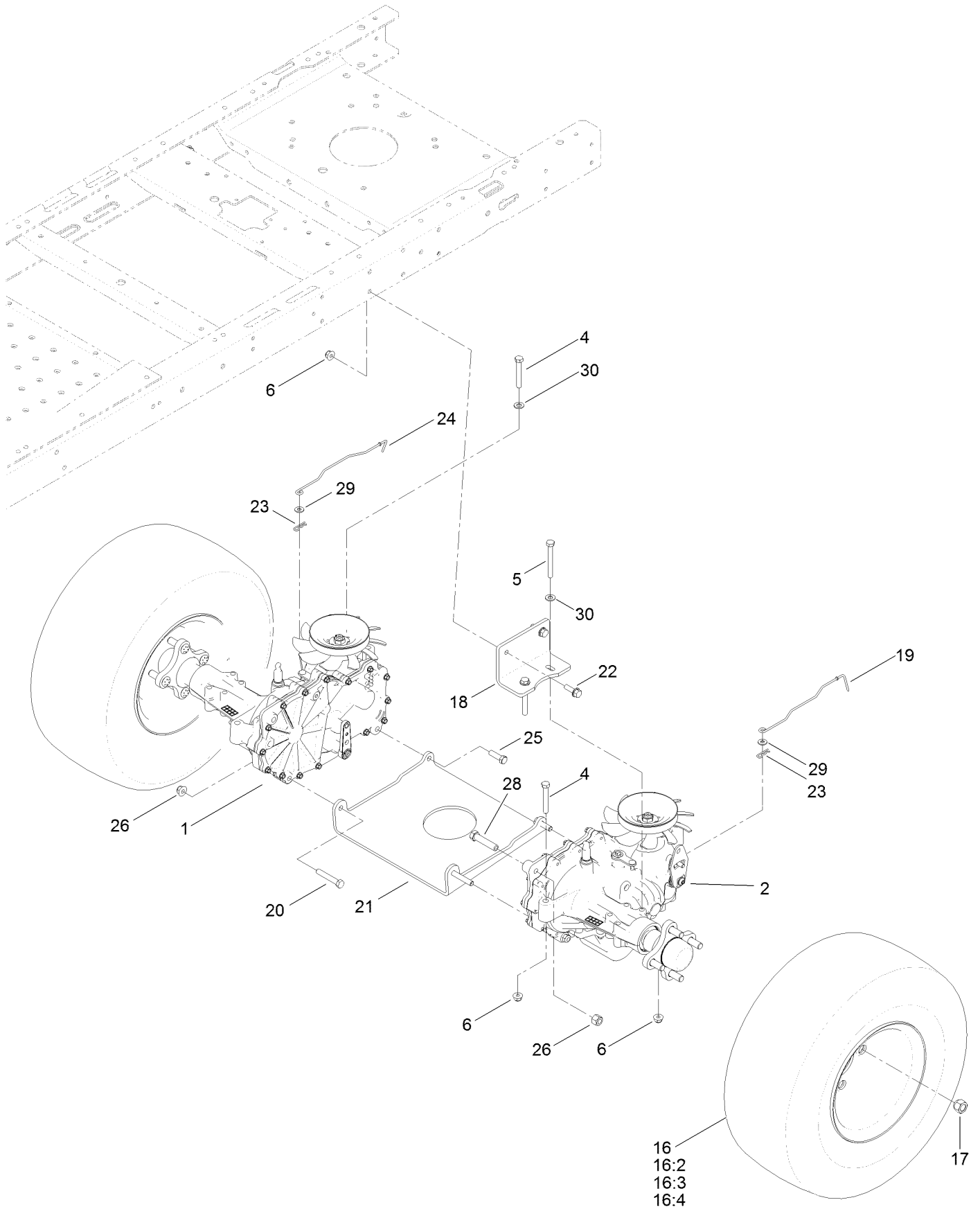
# Belt and Idler Assembly



## Belt and Idler Assembly (continued)

<i>Ref.</i>	<i>Part Number</i>	<i>Qty.</i>	<i>Description</i>	<i>Ref.</i>	<i>Part Number</i>	<i>Qty.</i>	<i>Description</i>
3	3230-8	1	Screw-CARR	11	119-8822	1	Pulley-Idler
6	104-8300	2	Nut-Flange, NI	12	106-2176	1	Pulley-Idler
7	322-7	1	Screw-HH	13	119-3326	1	Arm-Idler
8	104-6415	1	Spring-Return, Pedal	14	119-3353	1	Spacer
9	5-4460	1	Washer-Pivot	15	119-3327	1	Spacer-Arm, Idler
10	130-6976	1	V-Belt	25	3256-3	1	Washer-Flat

# Hydro Transaxle Drive and Rear Wheel Assembly

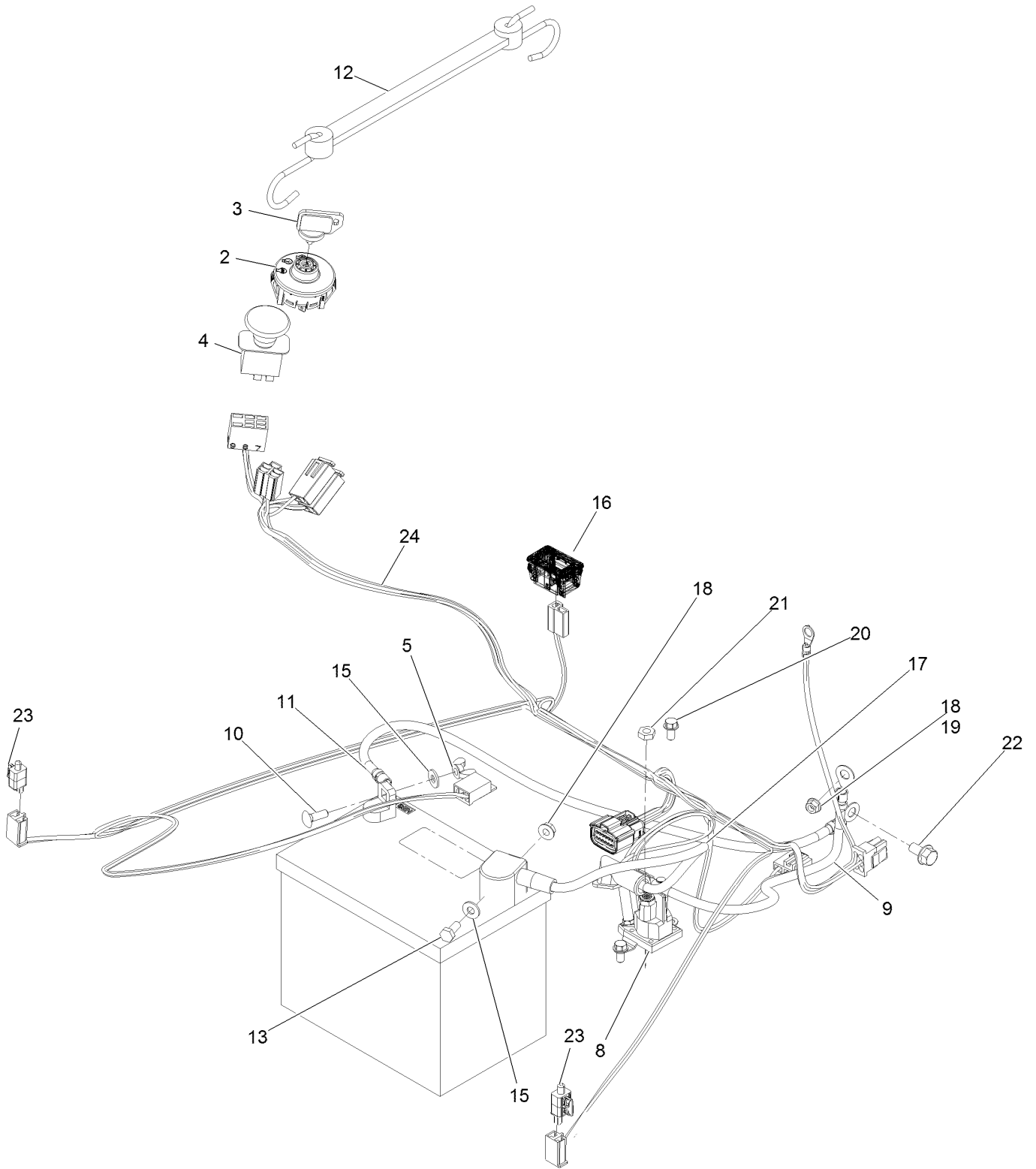


# Hydro Transaxle Drive and Rear Wheel Assembly (continued)

<i>Ref.</i>	<i>Part Number</i>	<i>Qty.</i>	<i>Description</i>	<i>Ref.</i>	<i>Part Number</i>	<i>Qty.</i>	<i>Description</i>
1	130-6961	1	RH Hydro Transmission ASM	18	121-0745-01	2	Mount-Hydro
2	130-6960	1	LH Hydro Transmission ASM	19	130-7048	1	Rod-Bypass, LH
4	322-11	4	Screw-HH 5/16-18 X 2 1/4	20	323-11	2	Screw-HH 3/8-16 X 2 1/4
5	322-13	4	Screw-HH 5/16-18 X 2 3/4	21	130-0718-01	1	Plate-Cross, Hydro
6	104-8300	12	Nut-Nyloc 5/16-18 Flg	22	3234-29	4	Screw-HH Flg 5/16-18 X 1
16	131-3673	2	2 Ply Tire And Wheel ASM	23	3290-307	2	Pin-Cotter
16:2	131-3680	1	Tire-2 Ply	24	130-7047	1	Rod-Bypass, RH
16:3	232-27	1	Stem-Valve	25	323-7	2	Screw-HH 3/8-16 X 1 1/4
16:4	93-3893	1	Tube-Inner ●	26	104-8301	6	Nut-Nyloc 3/8-16 Flg
17	242-50	8	Nut-Lug 1/2-20	28	323-9	2	Screw-HH 3/8-16 X 1 3/4
				29	119-8952	2	Washer
				30	3256-23	6	Washer-5/16 Sae

● Not illustrated

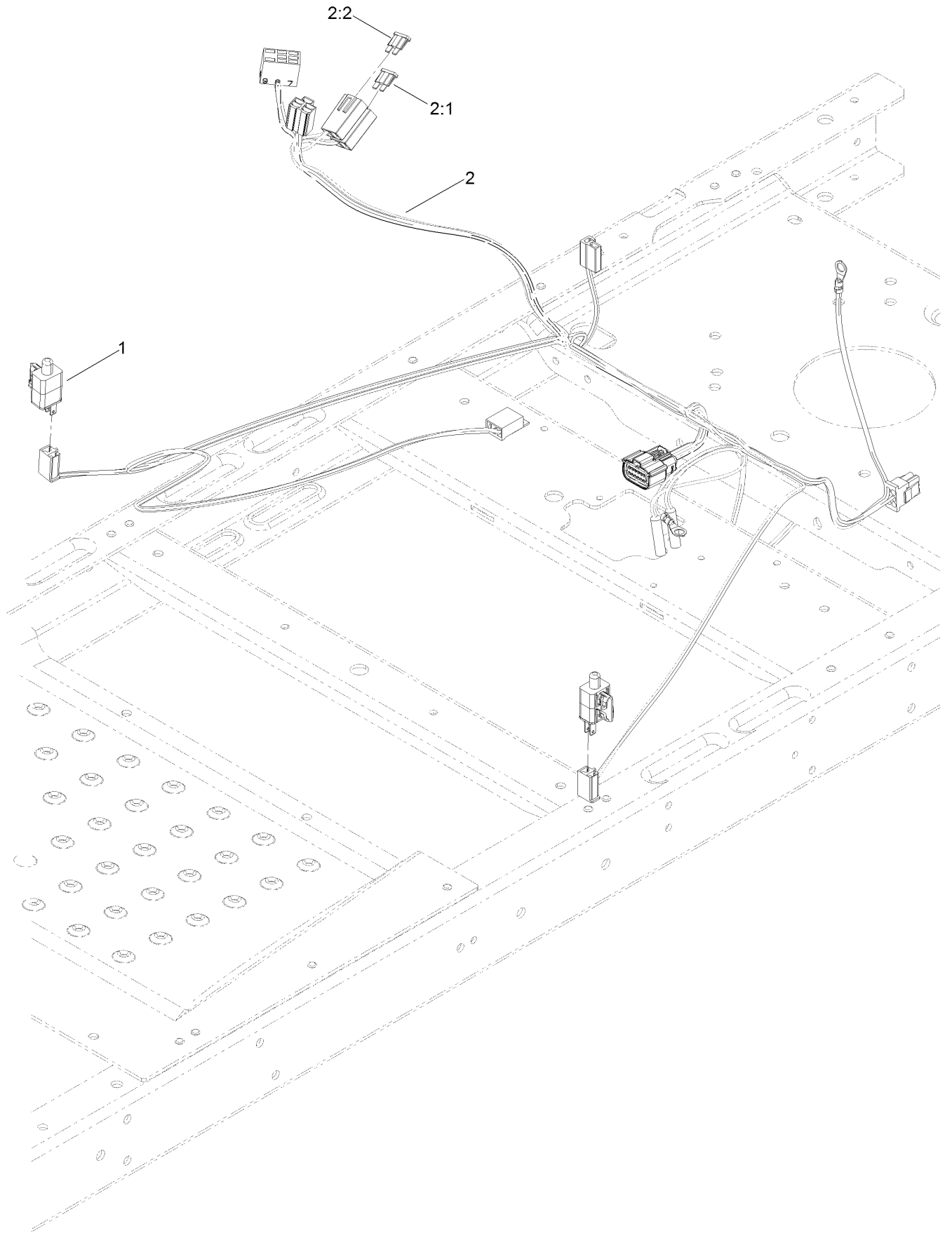
# Electrical Assembly



## Electrical Assembly (continued)

<i>Ref.</i>	<i>Part Number</i>	<i>Qty.</i>	<i>Description</i>	<i>Ref.</i>	<i>Part Number</i>	<i>Qty.</i>	<i>Description</i>
1	105-1692	1	Battery-Dry	13	321-3	1	Screw-HH 1/4-20 X 5/8
2	117-2221	1	Switch-Ignition	15	3256-22	2	Washer-1/4 Sae
3	103-2106	1	Key-Exmark Logo	16	120-2244	1	Hourmeter
4	103-5221	1	Switch-PTO	17	119-8897	1	Cable-Battery, Red
5	32103-22	1	Nut-Wing	18	32128-33	1	Nut-Whizlock 1/4-20
8	117-1197	1	Solenoid	19	33003-00	1	Nut-HF
9	121-0711	1	Cable-Battery, Positive	20	32144-4	2	Screw-HWH 1/4-20 X 1/2 Taptite
10	3229-1	1	Bolt-Carriage 1/4-20 X 3/4	21	3220-2	2	Nut-Jam 5/16-24
11	119-8899	1	Cable-Battery, Black	22	3234-14	1	Screw-HHF
12	104-2466	1	Holddown-Battery				

# Fuse and Wire Harness Assembly





## Fuse and Wire Harness Assembly (continued)

<i>Ref.</i>	<i>Part Number</i>	<i>Qty.</i>	<i>Description</i>
1	110-6765	2	Switch
2	130-7013	1	Harness-Wire ●

<i>Ref.</i>	<i>Part Number</i>	<i>Qty.</i>	<i>Description</i>
2:1	109103	1	Fuse-Blade, 30 Amp
2:2	109102	1	Fuse-Blade, 25 Amp

● Use dielectric grease on all unsealed connectors and terminals only. Do not apply in sealed connectors.

**Notes:**

# EXMARK® MAINTENANCE

## MAXIMIZE THE PERFORMANCE OF YOUR EXMARK.

### **4-CYCLE PREMIUM ENGINE OIL**

Part No. 116-3373

Both SAE 30 and SAE 10W-30 in one bottle.

Contains increased levels of zinc and phosphorus for better lubricity.

No Viscosity Index Improvers that tend to shear down in high heat.

Synthetic formulation.

Gas & Diesel compatible.

Anti-corrosion additives.

API 'SL' and JASO rated with wet clutch compatibility for other machines.

### **PREMIUM HYDRO OIL**

Part No. 109-9828

Commercial quality for tough, high-heat conditions.

Designed specifically for zero-turn mower hydraulic systems.

Superior shear resistance under heavy loads.



Available from your local Exmark dealer. Find your closest dealer at [exmark.com](http://exmark.com)

## EXMARK ACCESSORIES AND OPTIONS\*

### MID-MOUNT RIDING ACCESSORIES AND OPTIONS

CUSTOM RIDE SEAT SUSPENSION SYSTEM	OPERATOR CONTROLLED DISCHARGE
FULL SUSPENSION SEAT	SUN SHADE
DECK LIFT ASSIST KIT	TRASH CONTAINER
HITCH KIT	TURF STRIPER
LIGHT KIT	ULTRA VAC COLLECTION SYSTEM
12V POWER PORT	ULTRA VAC QUICK DISPOSAL SYSTEM
MICRO-MULCH SYSTEM	

### OUT-FRONT RIDING ACCESSORIES AND OPTIONS

CUSTOM RIDE SEAT SUSPENSION SYSTEM	SNOW BLADE
DUAL-TAIL WHEEL	SNOWBLOWER
FLOOR PAN EXTENDER	SUN SHADE
HITCH KIT	TRASH CONTAINER
LIGHT KIT	ULTRA VAC COLLECTION SYSTEM
MICRO-MULCH SYSTEM	ULTRA VAC QUICK DISPOSAL SYSTEM
ROLL OVER PROTECTION SYSTEM (ROPS)	WEATHER CAB

### WALK-BEHIND ACCESSORIES AND OPTIONS

GRASS CATCHER	TURF STRIPER
MICRO-MULCH SYSTEM	STANDON

\*Some accessories and options not available for some models.

Place Model No. and Serial No.  
Label Here (Included in the Literature  
Pack) or Fill in Below

Model No. \_\_\_\_\_

Serial No. \_\_\_\_\_

Date Purchased \_\_\_\_\_

Engine Model No. and Spec. No. \_\_\_\_\_

Engine Serial No. (E/No) \_\_\_\_\_

© 2015 Exmark Mfg. Co., Inc.  
Industrial Park Box 808  
Beatrice, NE 68310  
All Rights Reserved

Part No. 4502-188 Rev. A  
(402) 223-6290  
Fax (402) 223-5489  
Printed in the USA.

