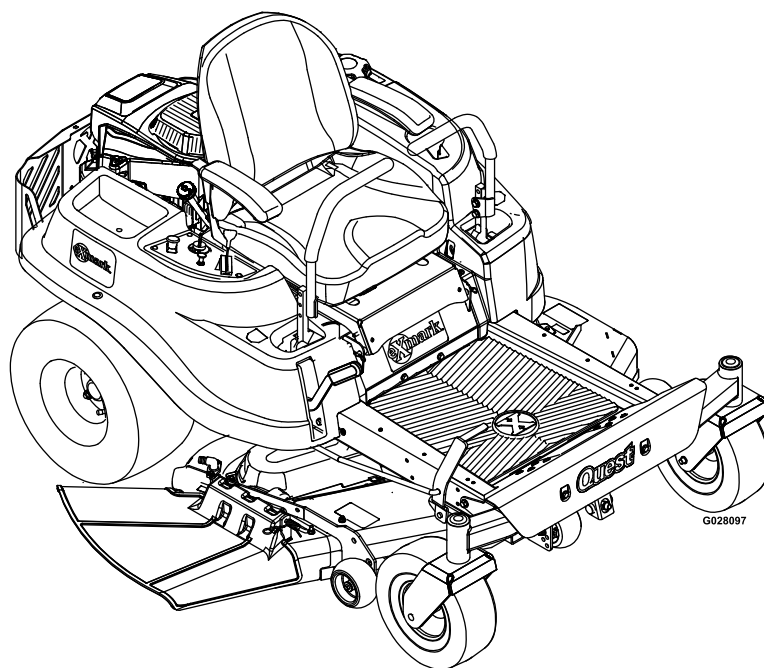




QUEST®

Model No. QTS725GKC50200—Serial No. 31500000 and Up

Picture below may not reflect actual product.



Parts Manual

Ordering Replacement Parts

To order replacement parts, please supply the part number, the quantity, and the description of each part desired.

Understanding Reference Numbers

Each identified part in an illustration has a reference number. The reference number for a part also appears in the parts list, along with other information about the part.

This catalog uses two special reference number formats, one to indicate parts in a service assembly and another to indicate the quantity of a given part in an illustration.

Service Assembly Reference Numbers

Parts in service assemblies have reference numbers in the form a:b. The a represents the reference number of the entire service assembly and the b represents a sequential number unique to each part within the service assembly.

For example, a wheel assembly might be identified by reference number 6, the tire by 6:1, the valve by 6:2, and the wheel by 6:3. When you order the assembly identified by reference number 6, you receive all parts identified by reference numbers 6:1, 6:2, and 6:3. However, you may also order any part individually. Reference numbers of this type appear in illustration and in parts lists.

Reference Numbers Indicating Quantity

In an illustration, if a reference number indicates more than one part, the reference number has the form nX y. The n represents the quantity of the part, the X is the multiplication symbol, and the y represents the reference number.

For example, in an illustration, the reference number 2X 37 means that two of the parts identified by reference number 37 are indicated.

List of Abbreviations

AR: as required	HLH: hex lag head	PTH: phillips truss head
ASM: assembly	HOC: height-of-cut	PTO: power-take-off
BBC: blade brake control	HP: high pressure	RH: right hand
BHTF: button head thread forming	HSBH: hex socket button head	ROPS: roll-over protection system
CARR: carriage	HSFH: hex socket flat head	RRB: rear roller brush
CCW: counter clockwise	HSH: hex socket head	SFH: slotted fillister head
CW: clockwise	HWH: hex washer head	SHH: slotted hex head
DEG: degrees	HWHTF: hex washer head thread forming	SHWH: slotted hex washer head
DPA: Dual Point Adjustment	HYD: hydraulic	SPH: slotted pan head
ECM: electronic control module	LH: left hand	SQH: square head
EXT: external	LP: low pressure	SRH: slotted round head
FH: flat head	LPG: Liquefied Petroleum Gas	STD: standard
GA: gauge	NI: nylon insert	TAP: self tapping
HD: heavy-duty	NPTF: national pipe thread fine	TTH: torx truss head
HF: hex flange	PFH: phillips flat head	
HH: hex head	PPH: phillips pan head	
HHF: hex head flange	PPHTF: phillips pan head thread forming	
HHFTF: hex head flange thread forming	PRH: phillips round head	
HJ: hex jam		

Touch Up Paint

Exmark black touch up spray paint – gloss black.

Exmark red touch up paint (spray paint – P/N 1-850337 - .6 oz liquid bottle – P/N 103-9140).

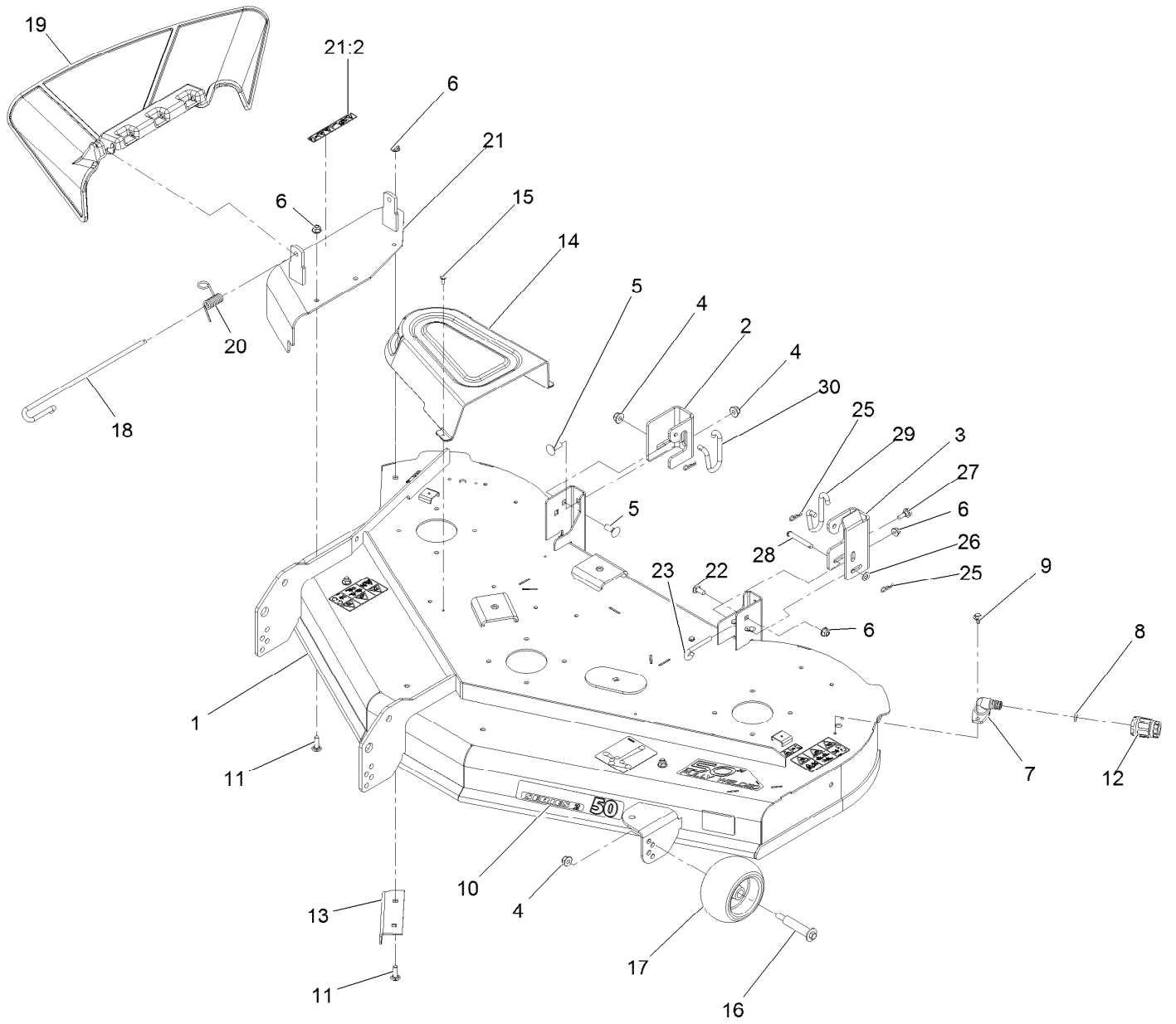


If your Exmark dealer does not have the Exmark part in stock, Exmark will get the parts to the dealer the next business day or the part will be FREE Guaranteed!! (Some restrictions apply. See your participating Exmark Dealer for details.)

Contents

Deck Assembly	4
50 Inch Deck Decal Assembly	6
50 Inch Deck Belt, Spindle and Blade Assembly	8
Main Frame and Front Axle Assembly	10
13 Inch Wheel and Tire Assembly No. 119-3473	12
Deck Lift Assembly	14
Motion Control Assembly	16
Brake Assembly	18
Seat Assembly	20
Seat Assembly (cont)	22
Controls and Fuel Tank	24
Fuel Delivery Assembly	26
Engine and Muffler Assembly	28
Clutch Assembly	30
Belt and Idler Assembly	32
Hydro Transaxle Drive and Rear Wheel Assembly	34
Electrical Assembly	36
Fuse and Wire Harness Assembly	38

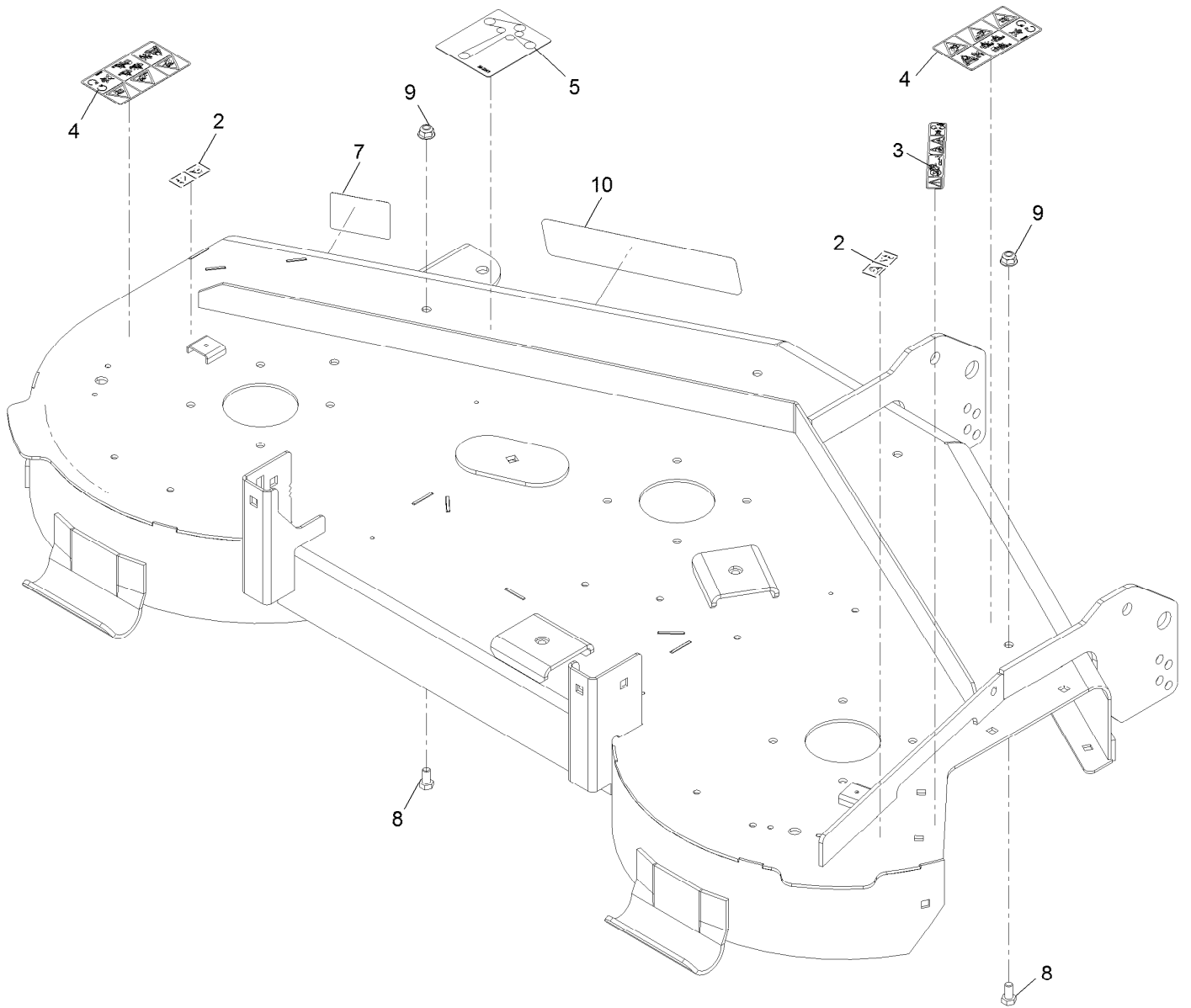
Deck Assembly



Deck Assembly (continued)

<i>Ref.</i>	<i>Part Number</i>	<i>Qty.</i>	<i>Description</i>	<i>Ref.</i>	<i>Part Number</i>	<i>Qty.</i>	<i>Description</i>
1	131-3614	1	50" Deck And Decal ASM	16	112-3977	3	Bolt-HH Shoulder 3/8-16 X 3.79
2	131-4138	1	Bracket-Hanger, RH	17	1-603299	3	Roller-Scalp, Anti
3	131-3935	1	Bracket-Hanger, LH	18	109-8854	1	Pin-Chute
4	104-8301	5	Nut-Nyloc 3/8-16 Flg	19	121-0739	1	Deflector-Discharge
5	3231-2	2	Bolt-Carriage 3/8-16 X 1	20	121-2983	1	Spring-Torsion
6	104-8300	6	Nut-Nyloc 5/16-18 Flg	21	131-3962	1	Cover ASM W/Decal
7	95-2747	2	Fitting-Washout	21:2	93-7009	1	Decal-Danger
8	46-6290	2	O-Ring	22	3230-23	1	Bolt-Carriage 5/16-18 X 3/4 Short Neck
9	46-8560	4	Screw-HHF 1/4-20 X 1/2	23	131-0955	1	Rod-Deck Level
10	126-1770	1	Decal-Series 2 - 50	25	1-806003	3	Hairpin-Cotter
11	3230-22	4	Bolt-Carriage 5/16-18 X 1 Sp	26	3256-23	1	Washer-5/16 Sae
12	95-3270	1	Connector-Hose	27	120-7024	1	Screw-Shoulder, HHF
13	120-7951-03	1	Baffle-Cutoff	28	110-0618	1	Pin-Clevis
14	108-7890	2	Cover-Belt	29	131-8734	1	Link-Deck Retention (RH)
15	32144-1	6	Screw-HWH #10-24 X 1/2 Taptite	30	131-4131	1	Link-Deck Retention (LH)

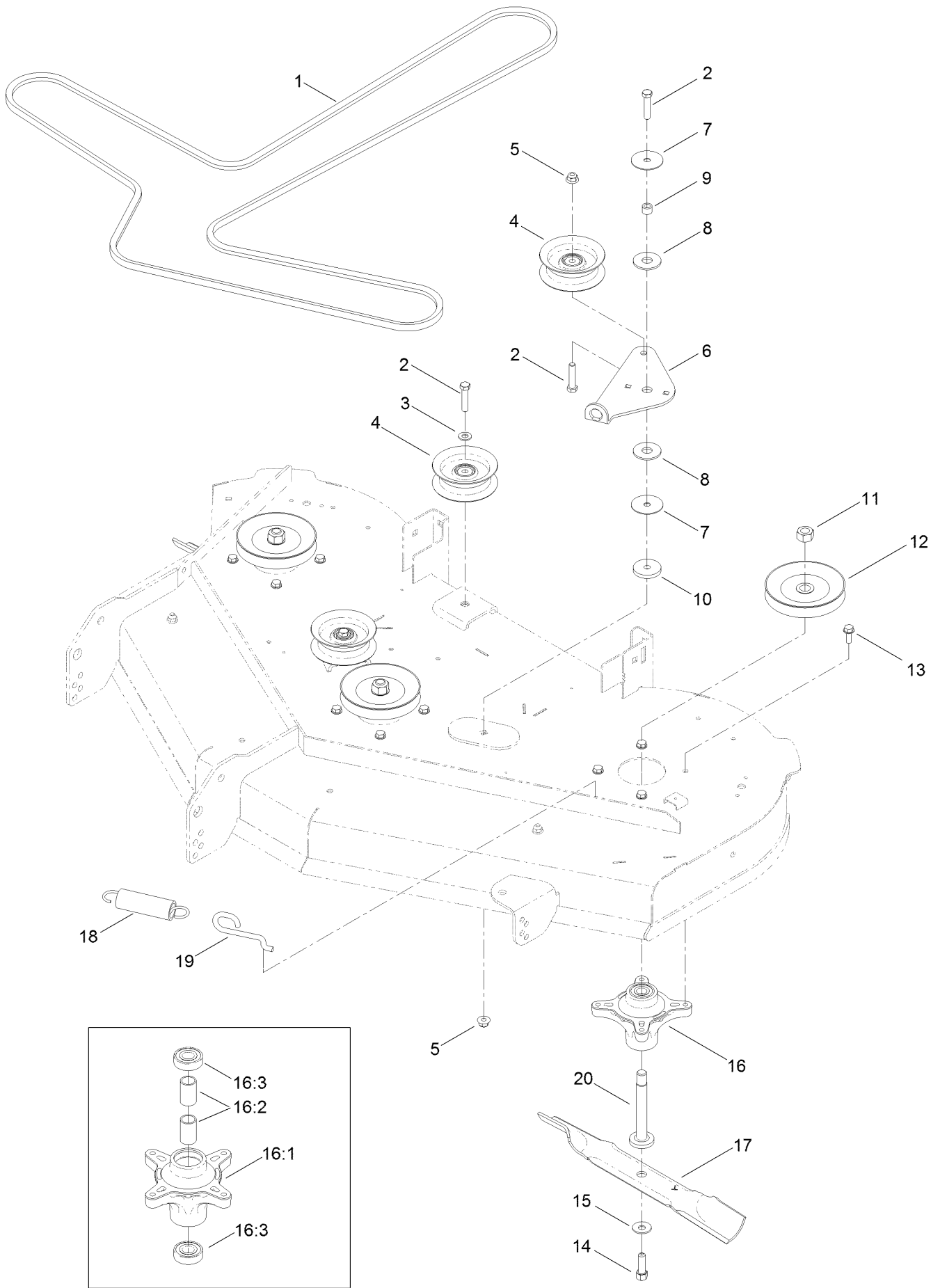
50 Inch Deck Decal Assembly



50 Inch Deck Decal Assembly (continued)

<i>Ref.</i>	<i>Part Number</i>	<i>Qty.</i>	<i>Description</i>	<i>Ref.</i>	<i>Part Number</i>	<i>Qty.</i>	<i>Description</i>
2	114-1606	2	Decal-Danger	7	112-9840	1	Decal-Scalp, Anti
3	93-7009	1	Decal-Danger	8	322-2	2	Screw-HH 5/16-18 X 5/8
4	110-6691	2	Decal-Danger	9	104-8300	2	Nut-Nyloc 5/16-18 Flg
5	99-3943	1	Decal-Routing, Belt	10	126-1770	1	Decal-Series 2 - 50

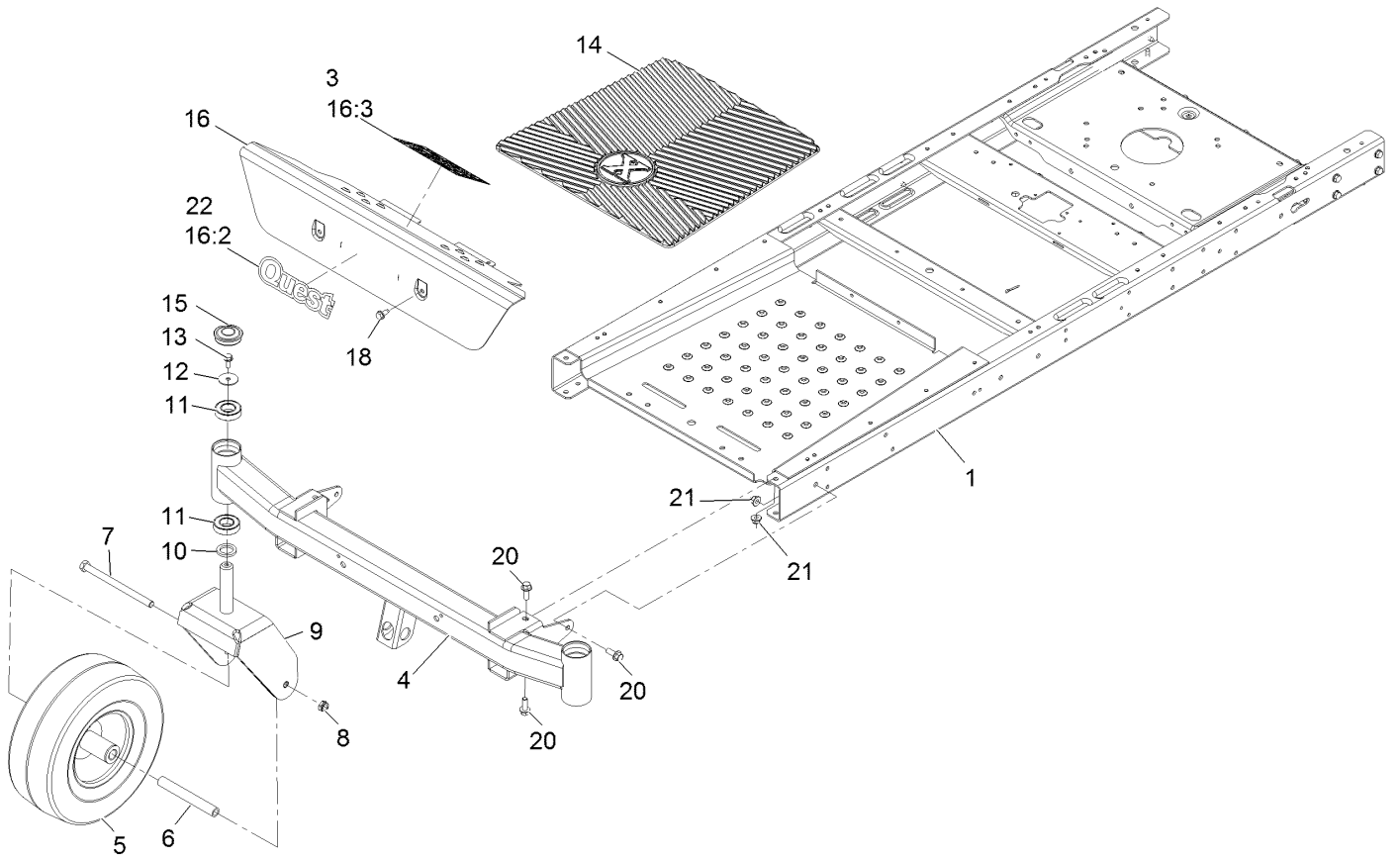
50 Inch Deck Belt, Spindle and Blade Assembly



50 Inch Deck Belt, Spindle and Blade Assembly (continued)

<i>Ref.</i>	<i>Part Number</i>	<i>Qty.</i>	<i>Description</i>	<i>Ref.</i>	<i>Part Number</i>	<i>Qty.</i>	<i>Description</i>
1	119-8820	1	V-Belt	13	32144-41	12	Screw-Taptite
2	323-9	4	Screw-HH	14	26-0671	3	Screw-HH
3	3256-24	2	Washer-Flat	15	3290-465	3	Washer-Belleville
4	106-2175	3	Pulley-Idler, Flat	16	121-0751	3	Spindle ASM
5	104-8301	2	Nut-Flange, NI	16:1	117-7267	1	Spindle
6	114-8540	1	Arm-Idler	16:2	120-7935	2	Spacer
7	120-2229	2	Washer	16:3	100-1048	2	Bearing-Ball
8	114-0463	2	Washer-Friction, Composite	17	115-5059-03	3	Blade-Hi Lift
9	115-4986	1	Spacer	18	1-603414	1	Spring-Extension
10	110-9981	1	Washer-Plain	19	112-3973	1	Hook-Return, Spring
11	3219-6	3	Nut-Hex	20	117-7268	3	Shaft-Spindle
12	125-5575	3	Pulley				

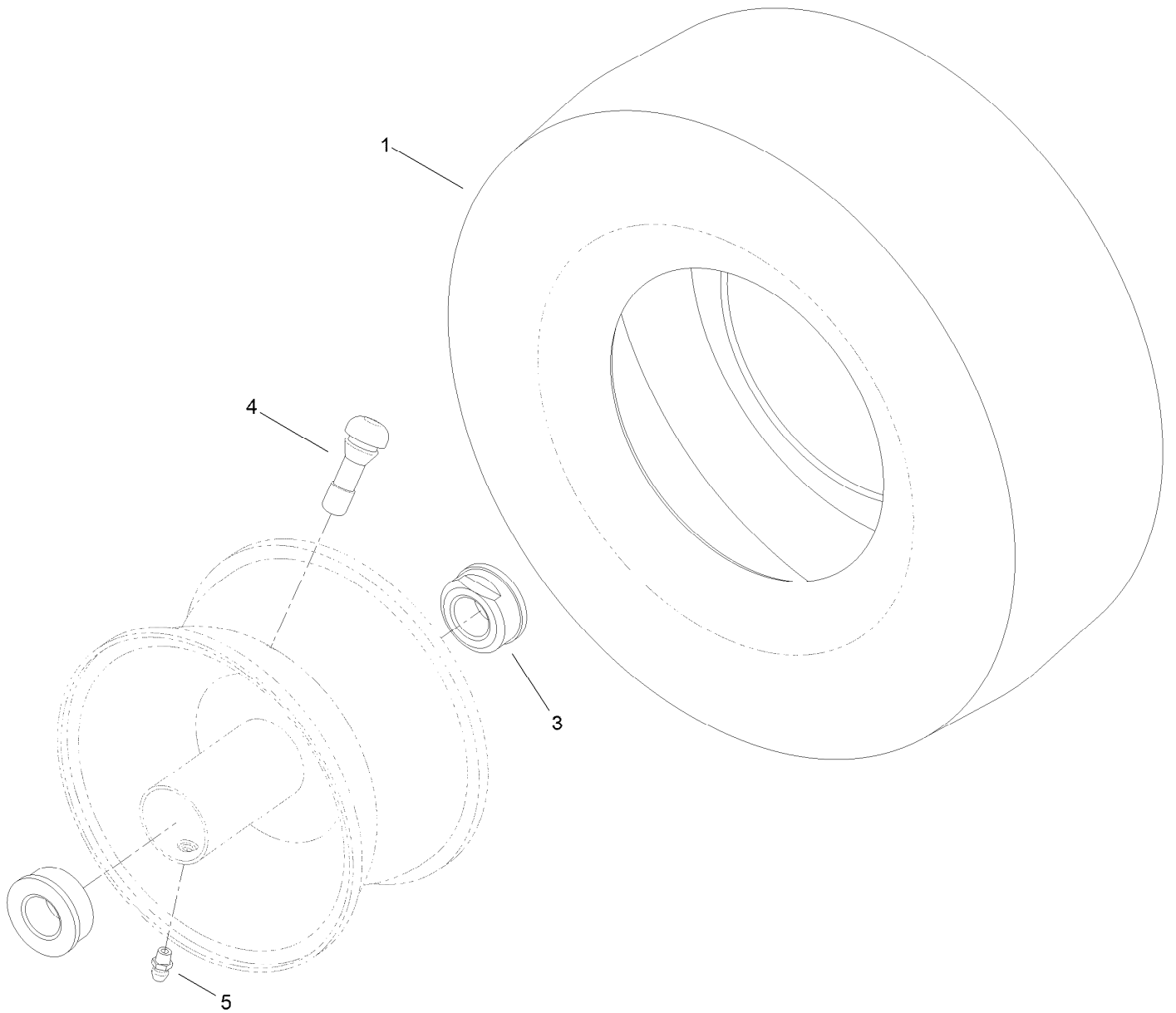
Main Frame and Front Axle Assembly



Main Frame and Front Axle Assembly (continued)

<i>Ref.</i>	<i>Part Number</i>	<i>Qty.</i>	<i>Description</i>	<i>Ref.</i>	<i>Part Number</i>	<i>Qty.</i>	<i>Description</i>
1	130-0699-01	1	Frame ASM	13	3234-47	2	Screw-HH Flg 5/16-18 X 3/4
3	132-0869	1	Decal-Danger	14	120-5456	1	Mat-Floor
4	125-1726-01	1	Axle ASM	15	116-4348	2	Cap-Grease
5	119-3473	2	13 Inch Wheel And Tire ASM	16	132-0891	1	Footrest ASM
6	119-3475	2	Spanner	16:2	116-4218	1	Decal
7	325-37	2	Screw-HH	16:3	132-0869	1	Decal-Danger
8	3296-45	2	Nut-Nyloc 1/2-13 Thin	18	32144-70	2	Screw-HWH 5/16-18 X 3/4 Tf
9	119-3349-01	2	Fork-Caster	20	3234-42	6	Screw HHF 3/8-16 X 1
10	117-7394	2	Washer-Thrust	21	104-8301	6	Nut-Nyloc 3/8-16 Flg
11	109-3678	4	Bearing-Ball	22	116-4218	1	Decal
12	3256-68	2	Washer-Flat				

13 Inch Wheel and Tire Assembly No. 119-3473

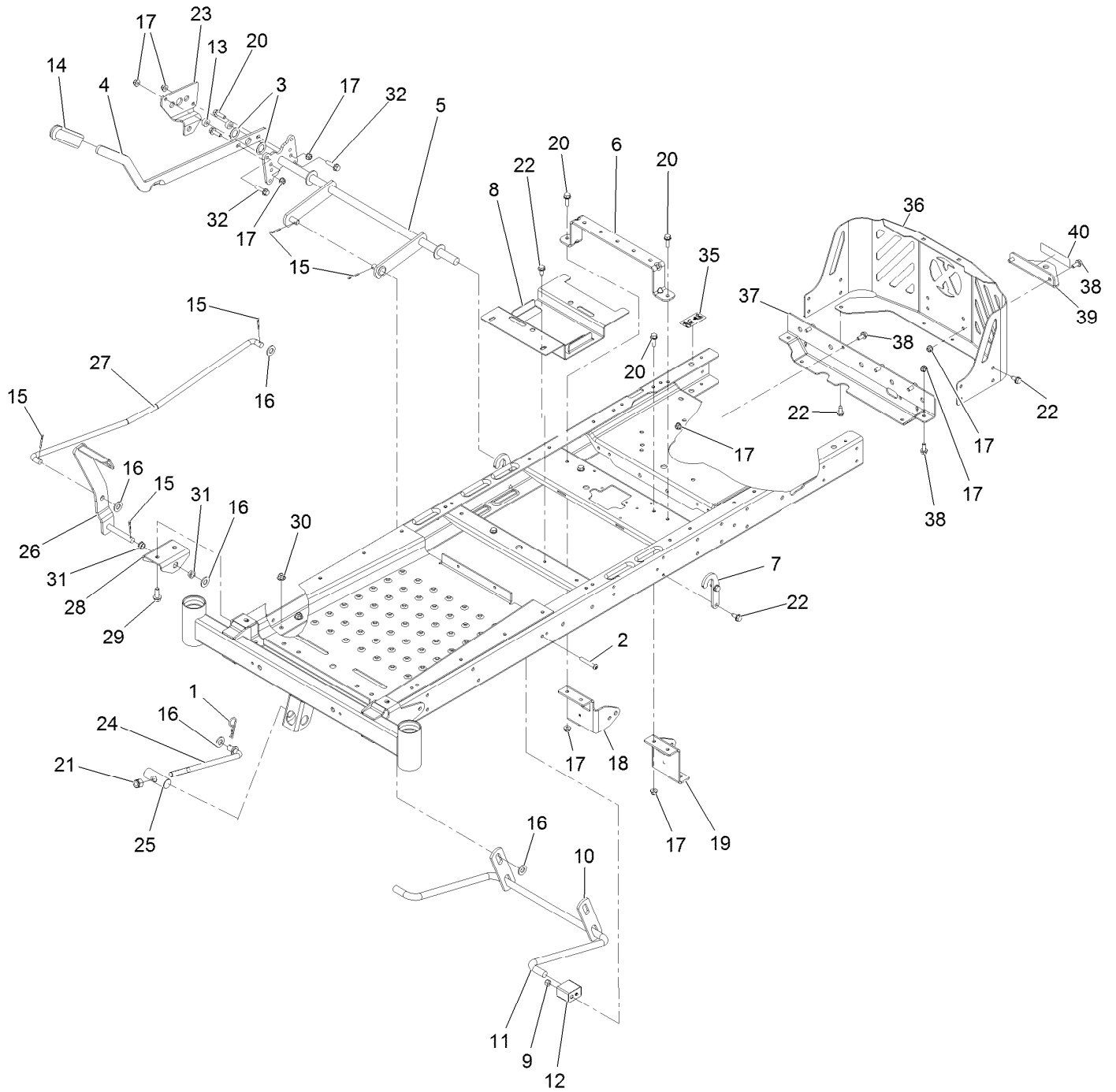


13 Inch Wheel and Tire Assembly No. 119-3473 (continued)

<i>Ref.</i>	<i>Part Number</i>	<i>Qty.</i>	<i>Description</i>	<i>Ref.</i>	<i>Part Number</i>	<i>Qty.</i>	<i>Description</i>
1	119-3471	1	Tire-13 Inch	5	302-5	1	Fitting-Grease
3	114-1640	2	Bushing-Flange	99	232-46	1	Tube ●
4	232-27	1	Stem-Valve				

● Not illustrated

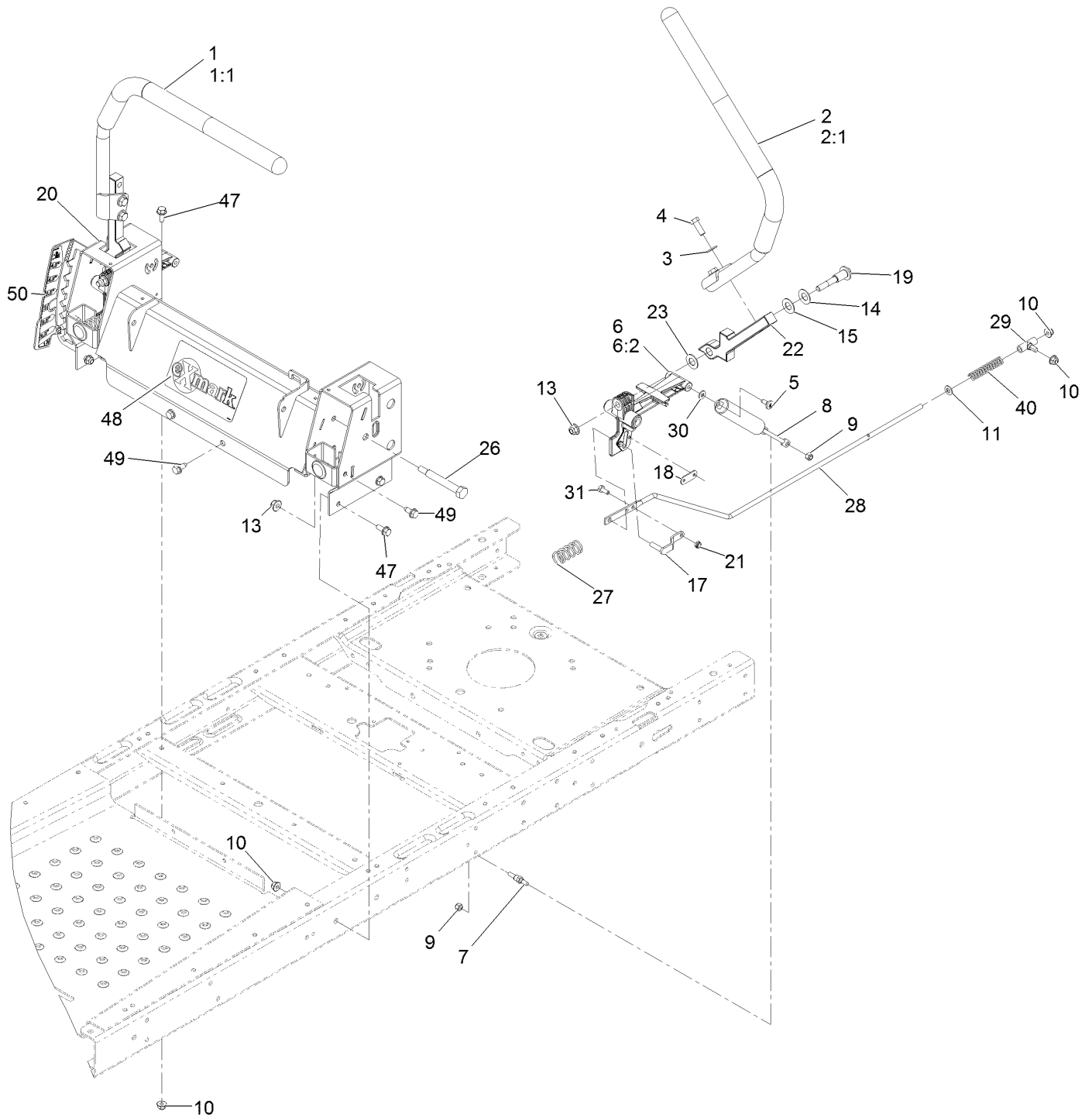
Deck Lift Assembly



Deck Lift Assembly (continued)

<i>Ref.</i>	<i>Part Number</i>	<i>Qty.</i>	<i>Description</i>	<i>Ref.</i>	<i>Part Number</i>	<i>Qty.</i>	<i>Description</i>
1	1-806005	1	Hairpin-Cotter	21	3296-19	1	Nut-Nyloc 1/2-20
2	120-5499	2	Screw-HSBH	22	32144-70	16	Screw-HWH 5/16-18 X 3/4 Tf
3	3-6498	2	Washer-Thrust	23	131-3933	1	Plate-Footlift
4	119-3427-03	1	Lever-Lift	24	131-3945	1	Rod-Mount, Deck
5	119-3424-03	1	Lift-Deck	25	119-8810	1	Pin-Pivot
6	117-7337-03	1	Brace-Seat, Rear	26	120-2276-03	1	Pedal
7	119-8875	2	Bracket-Lift	27	120-2242	1	Rod-Footlift
8	131-0914-03	1	Bracket-Battery	28	120-2294-03	1	Bracket-Footlift
9	3296-29	2	Nut-Nyloc 5/16-18	29	3234-42	2	Screw HHF 3/8-16 X 1
10	108-7840	2	Link-Lift	30	104-8301	2	Nut-Nyloc 3/8-16 Flg
11	119-3347	1	Arm-Lift, Rear	31	256-156	2	Bushing-Flange
12	108-7845	2	Block-Pivot	32	3234-36	2	Screw-HH Flg 5/16-18 X 1 1/4
13	121-1759	2	Spacer	35	121-2989	2	Decal-Bypass
14	1-633268	1	Grip-Lever	36	131-1018-03	1	Guard-Engine, Wide [black]
15	3272-11	5	Pin-Cotter 1/8 X 1	37	130-6946-01	1	Crossmember-Rear, Wide
16	3256-26	6	Washer-1/2 Sae	38	3234-47	8	Screw-HH Flg 5/16-18 X 3/4
17	104-8300	14	Nut-Nyloc 5/16-18 Flg	39	117-1232-03	1	Bracket-Hitch
18	131-0901-01	1	Mount-Hydro, Front Right	40	131-4036	1	Decal
19	131-0902-01	1	Mount-Hydro, Front Left				
20	3234-29	4	Screw-HH Flg 5/16-18 X 1				

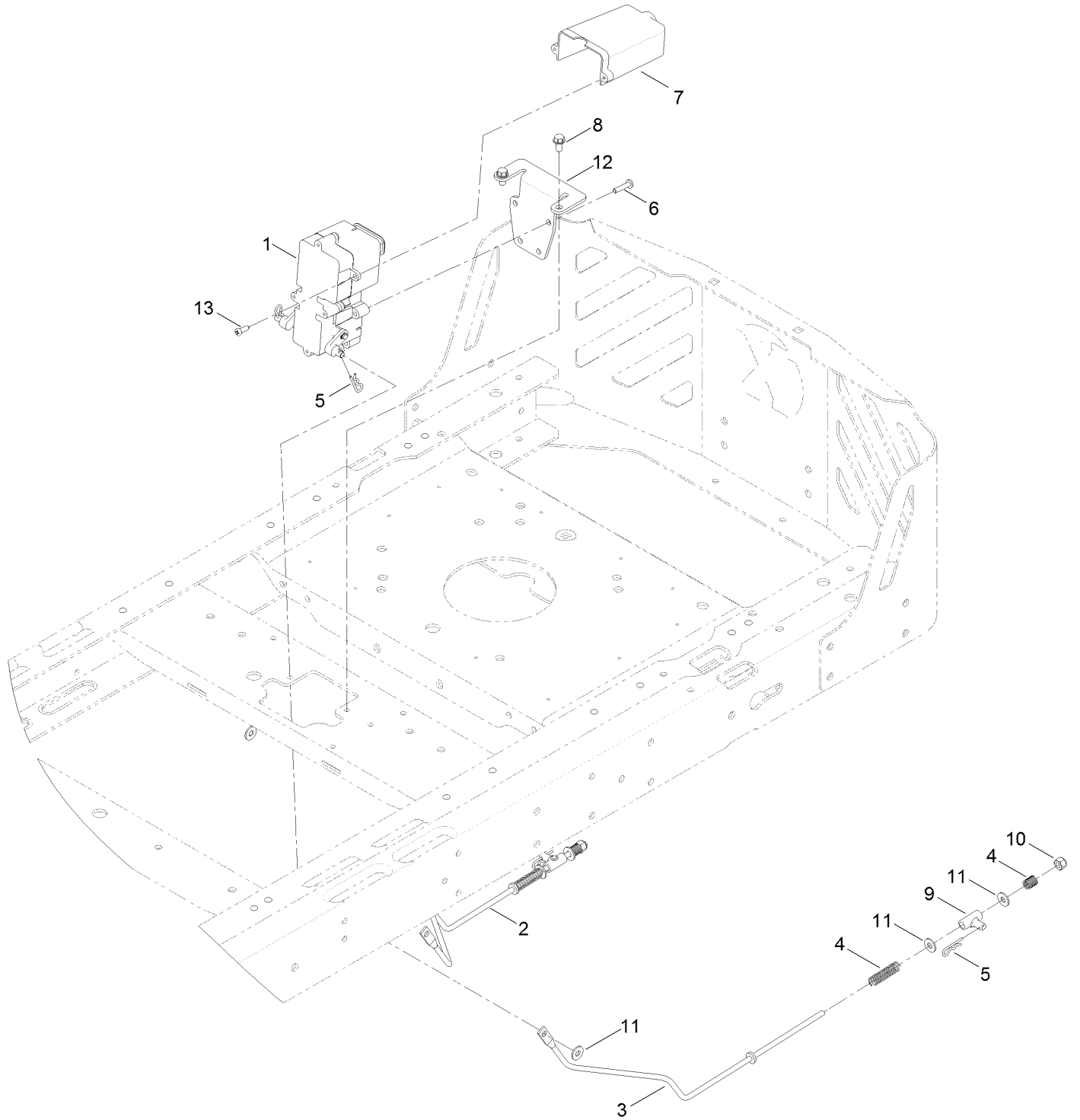
Motion Control Assembly



Motion Control Assembly (continued)

<i>Ref.</i>	<i>Part Number</i>	<i>Qty.</i>	<i>Description</i>	<i>Ref.</i>	<i>Part Number</i>	<i>Qty.</i>	<i>Description</i>
1	121-0731	1	Handle-Control, RH	18	119-8948	2	Plate-Stop, Hydro
1:1	121-0726	1	Grip	19	117-1198	2	Bolt-Pivot
2	121-0730	1	Handle-Control, LH	20	131-1060-03	1	Control Box ASM
2:1	121-0726	1	Grip	21	3296-56	2	Nut-Nyloc 1/4-20 Thin
3	3256-24	4	Washer-3/8 Sae	22	115-5098-05	2	Lever-Control
4	323-6	4	Screw-HH 3/8-16 X 1	23	120-2273	2	Washer-Nylon
5	120-7950	2	Screw-Shoulder	26	115-5099	2	Bolt-Pivot
6	119-3470	2	Actuator Arm ASM	27	119-8876	2	Spring-Return
6:2	256-156	2	Bushing-Flange	28	117-5388	2	Rod-Hydro
7	110-6810	2	Stud-Damper	29	119-8842	2	Mount-Rod, Hydro
8	131-0964	2	Damper	30	119-8952	2	Washer
9	3296-42	4	Nut-Nyloc 1/4-20	31	321-3	2	Screw-HH 1/4-20 X 5/8
10	104-8300	10	Nut-Nyloc 5/16-18 Flg	40	1-603807	2	Spring
11	3256-23	2	Washer-5/16 Sae	47	3234-47	6	Screw-HH Flg 5/16-18 X 3/4
13	104-8301	4	Nut-Nyloc 3/8-16 Flg	48	116-4219	1	Decal
14	119-8925	2	Washer-Belleville	49	32144-70	4	Screw-HWH 5/16-18 X 3/4 Tf
15	117-1240	2	Washer	50	119-8870	1	Decal-HOC
17	119-3303	2	Pin-Rod, Hydro				

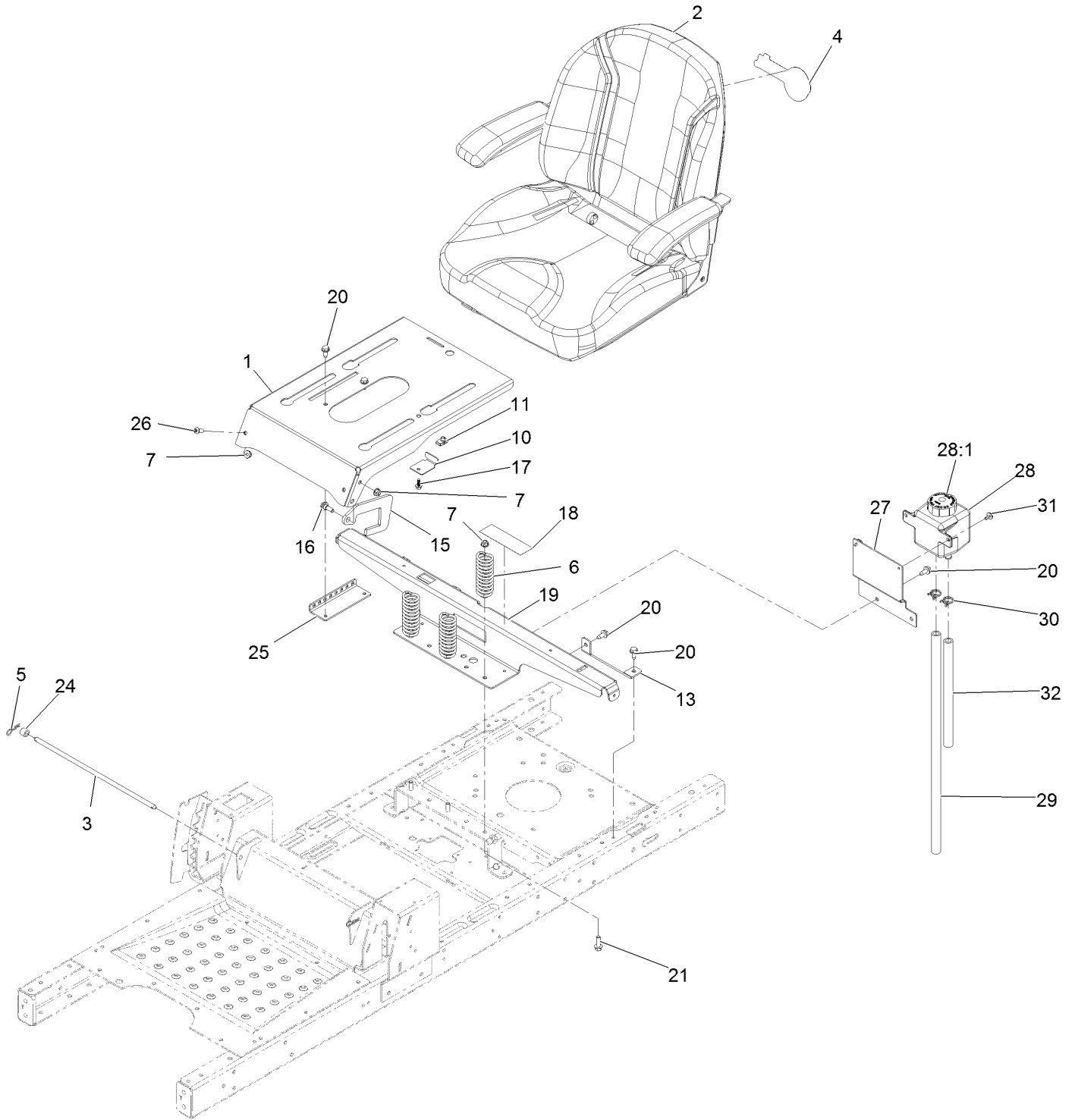
Brake Assembly



Brake Assembly (continued)

<i>Ref.</i>	<i>Part Number</i>	<i>Qty.</i>	<i>Description</i>	<i>Ref.</i>	<i>Part Number</i>	<i>Qty.</i>	<i>Description</i>
1	130-6892	1	Brake Box ASM	8	32144-4	2	Screw-HWH
2	119-8811	1	Rod-Brake, RH	9	119-8857	2	Mount-Pivot
3	119-8812	1	Rod-Brake, LH	10	3296-42	2	Nut-Lock, NI
4	121-5654	4	Spring-Compression	11	119-8952	6	Washer
5	3290-307	4	Pin-Cotter	12	130-0790-03	1	Bracket-Mount, Brake
6	32144-36	4	Screw-PPH	13	94-4496	2	Screw-PPH
7	130-6974	1	Cover-Connector				

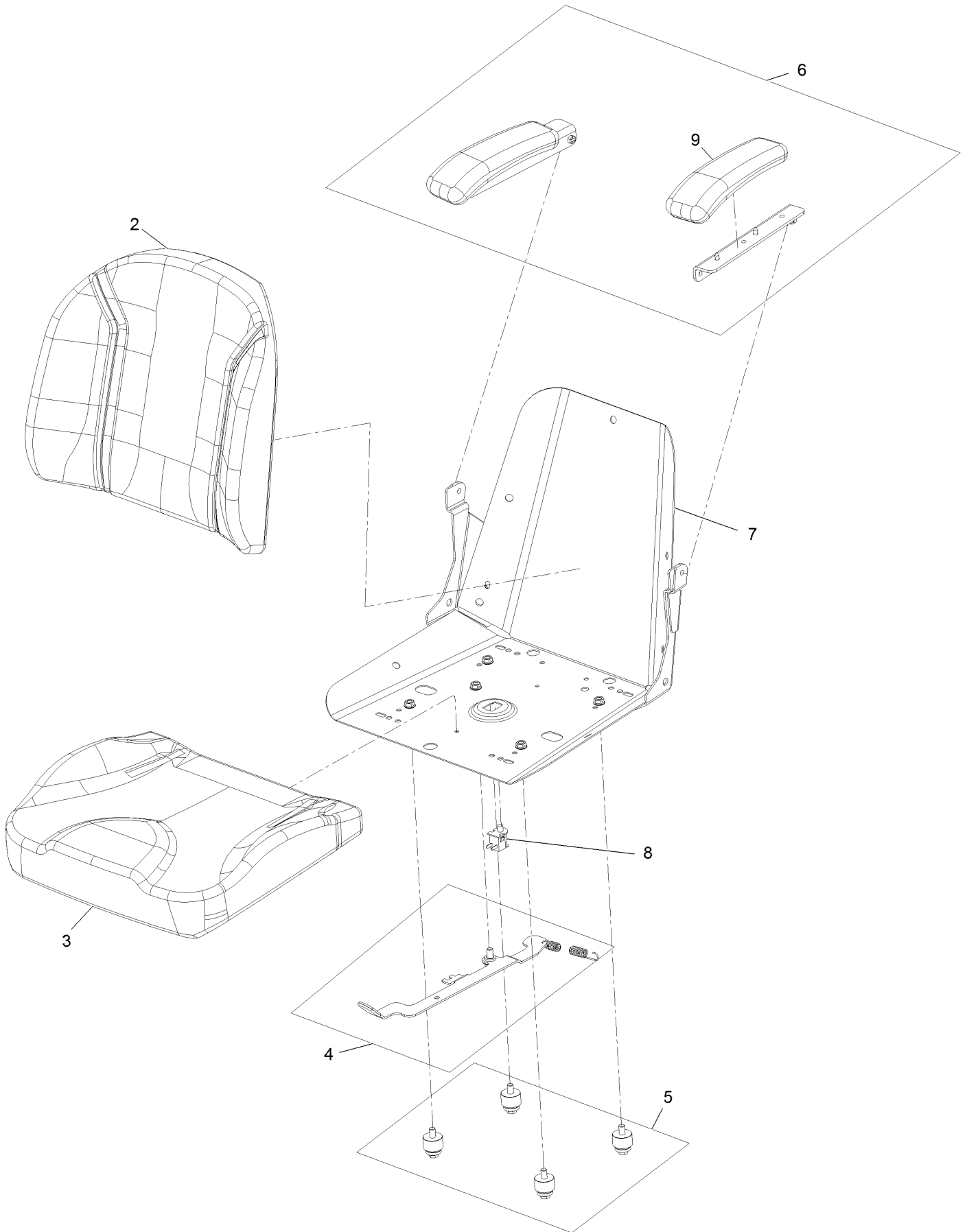
Seat Assembly



Seat Assembly (continued)

<i>Ref.</i>	<i>Part Number</i>	<i>Qty.</i>	<i>Description</i>	<i>Ref.</i>	<i>Part Number</i>	<i>Qty.</i>	<i>Description</i>
1	132-0919-03	1	Pan-Seat	19	131-1039-03	1	Support-Pod, Wide
2	131-4148	1	Seat ASM, Exmark	20	32144-70	7	Screw-HWH 5/16-18 X 3/4 Tf
3	115-4966	1	Rod-Stop	21	3234-29	3	Screw-HH Flg 5/16-18 X 1
4	120-5464	1	Decal	24	1-413088	2	Spacer
5	3290-250	2	Pin-Cotter	25	131-4008-03	1	Bracket-Latch, Seat
6	92-7054	3	Spring-Compression	26	131-4080	2	Screw-HSBH
7	104-8300	6	Nut-Nyloc 5/16-18 Flg	27	120-7970-03	1	Mount-Tank
10	131-1038	1	Bracket-Stop, Seat	28	109-2250	1	Vent-Tank, HYD
11	107069	1	Nut-Retainer-Panel 1/4-20	28:1	109-3320	1	Cap-Reservoir, HYD
13	119-3431-03	2	Support-Tank, Rear	29	121-2951	1	Hose-Overflow
15	131-3994	1	Plate-Stop	30	117-1193	4	Clamp-Hose
16	116-2670	1	Screw-Shoulder HHF 5/16-18 X .96	31	46-8560	2	Screw-HHF 1/4-20 X 1/2
17	99-6810	1	Screw-HH 1/4-20 X 5/8	32	121-2952	1	Hose-Overflow
18	106-8717	1	Decal-Service				

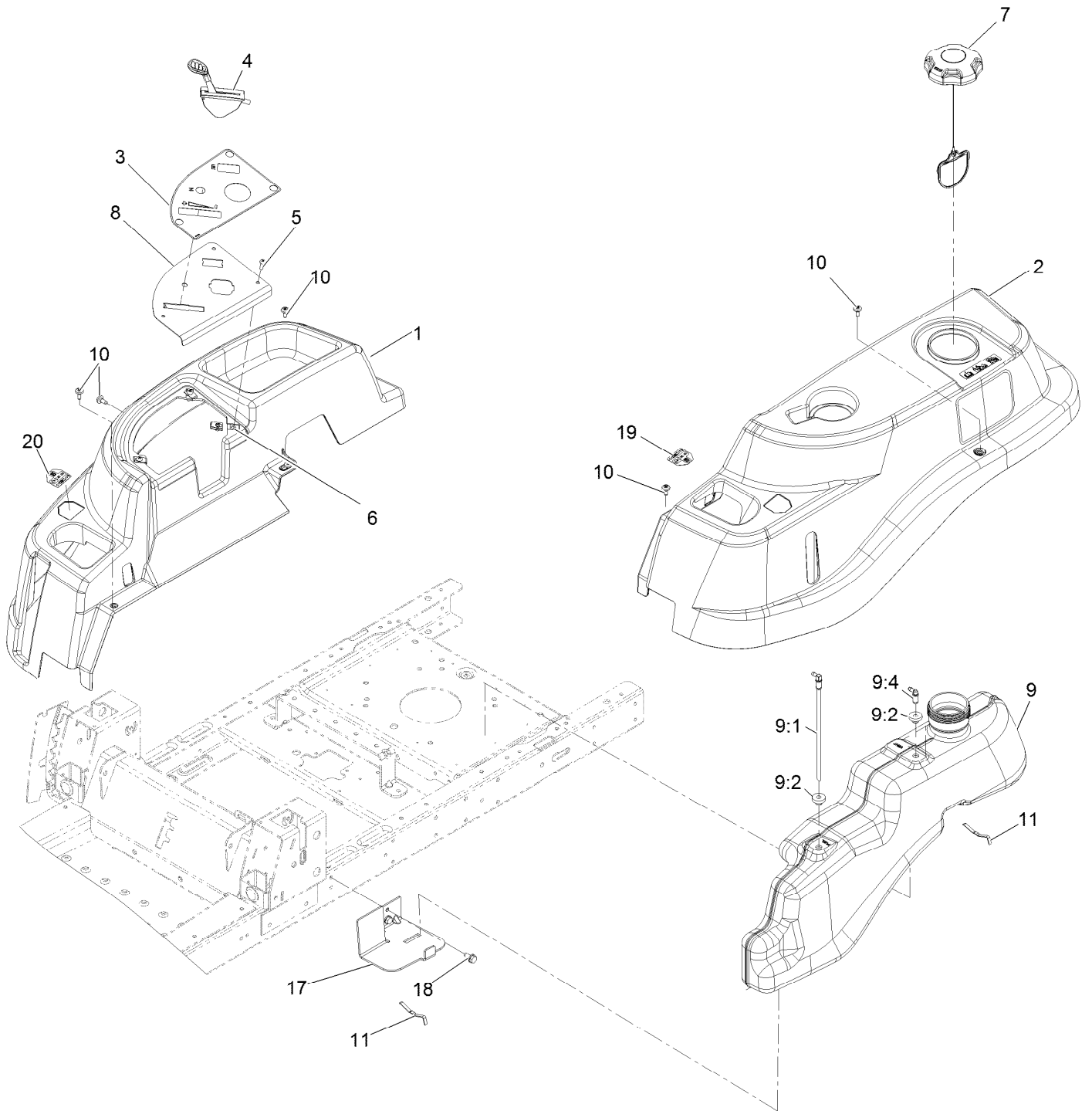
Seat Assembly (cont)



Seat Assembly (cont) (continued)

<i>Ref.</i>	<i>Part Number</i>	<i>Qty.</i>	<i>Description</i>	<i>Ref.</i>	<i>Part Number</i>	<i>Qty.</i>	<i>Description</i>
2	131-4150	1	Cushion-Seat, Back	6	131-4155	1	Armrest Kit
3	131-4152	1	Cushion-Seat, Bottom	7	131-4156	1	Shell
4	131-4153	1	Track ASM	8	82-2190	1	Switch-Bail
5	131-4154	1	Bushing ASM	9	110-4163	2	Cushion-Rest, Arm

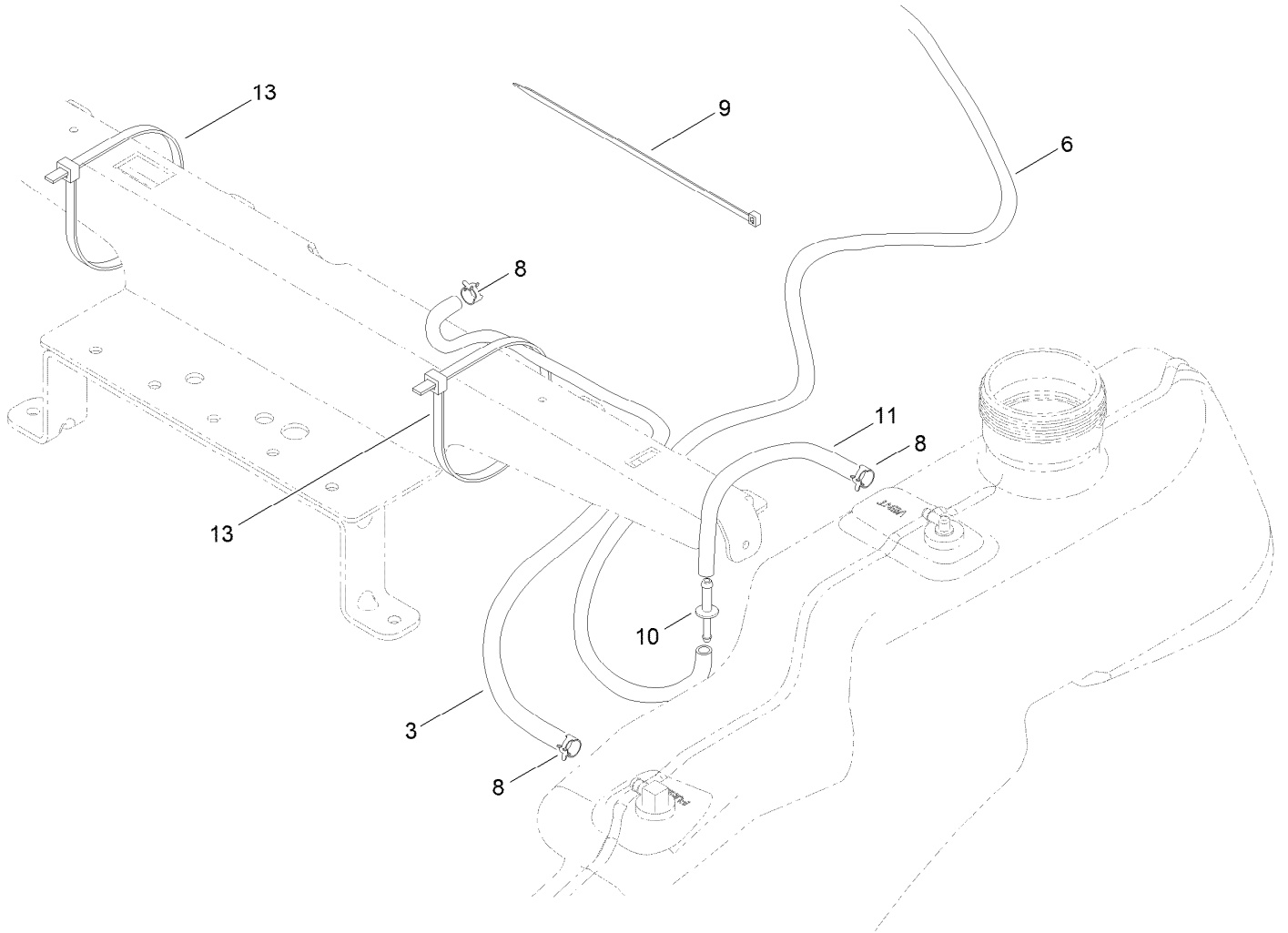
Controls and Fuel Tank



Controls and Fuel Tank (continued)

<i>Ref.</i>	<i>Part Number</i>	<i>Qty.</i>	<i>Description</i>	<i>Ref.</i>	<i>Part Number</i>	<i>Qty.</i>	<i>Description</i>
1	119-8963	1	Pod-RH	9:1	121-0793	1	Connector-Elbow, 90 DEG
2	119-8962	1	Pod-LH	9:2	46-6560	2	Bushing
3	131-4162	1	Decal-Panel, Control	9:4	117-7400	1	Fitting-Plastic
4	131-8728	1	Cable-Throttle (51.5 In, Red Knob]	10	120-7950	6	Screw-Shoulder
5	3258-166	3	Screw-PPH 1/4-20 X 3/4	11	609830	2	Spring
6	107069	3	Nut-Retainer-Panel 1/4-20	17	119-3395-03	1	Support-Tank, Front
7	120-5461	1	Cap-Fuel, Ratcheting	18	32144-70	2	Screw-HWH 5/16-18 X 3/4 Tf
8	119-3377-03	1	Plate-Control	19	119-8814	1	Decal-Control Lever, LH
9	119-3324	1	Fuel Tank ASM	20	119-8815	1	Decal-Control Lever, RH

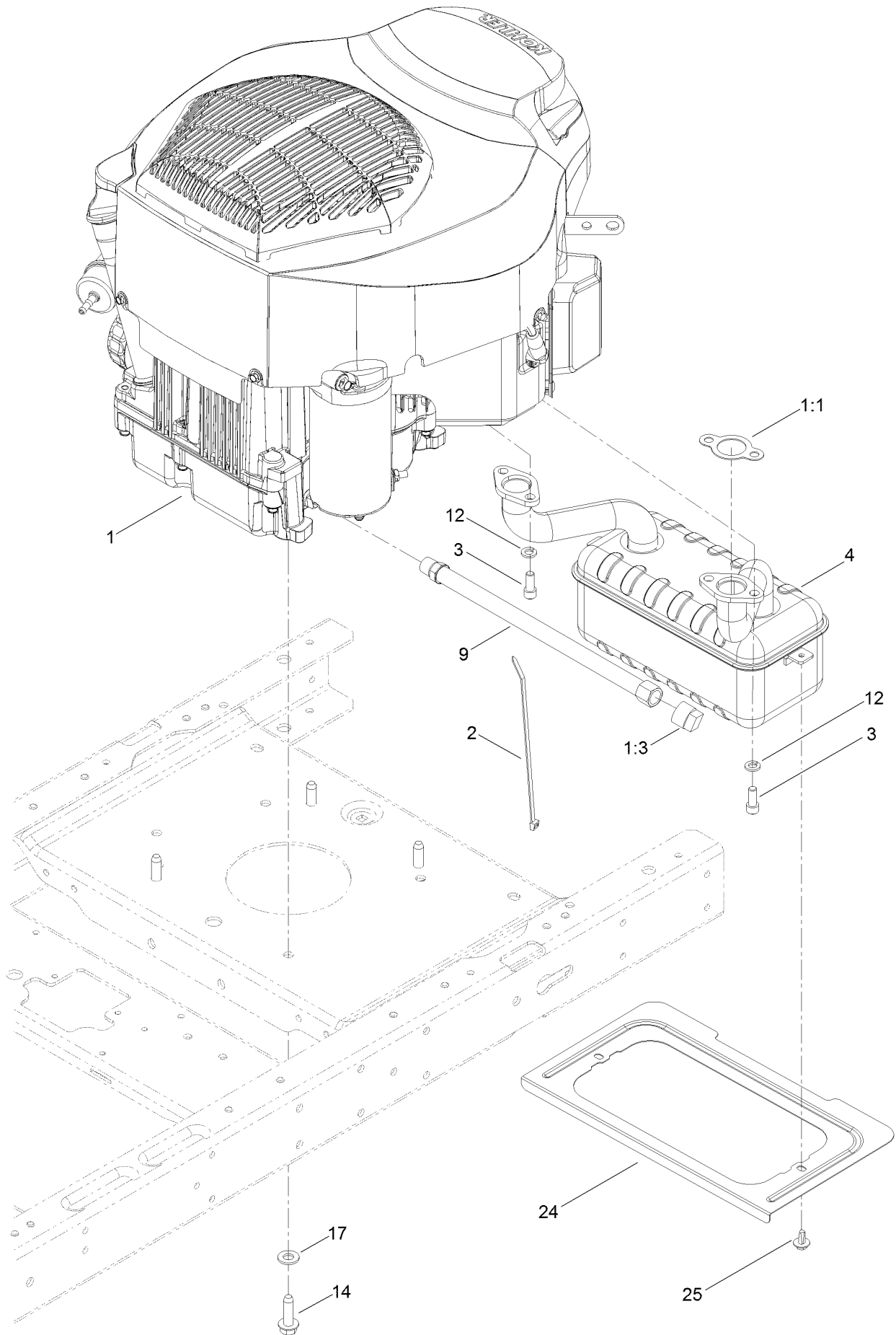
Fuel Delivery Assembly



Fuel Delivery Assembly (continued)

<i>Ref.</i>	<i>Part Number</i>	<i>Qty.</i>	<i>Description</i>	<i>Ref.</i>	<i>Part Number</i>	<i>Qty.</i>	<i>Description</i>
3	109-0273	1	Hose-Fuel	10	117-5399	1	Adaptor-Orifice
6	108-9698	1	Hose-Fuel	11	110-1876	1	Hose-Fuel
8	2412-98	3	Clamp-Hose	13	3334-945	2	Tie-Cable
9	614249	3	Tie-Cable				

Engine and Muffler Assembly



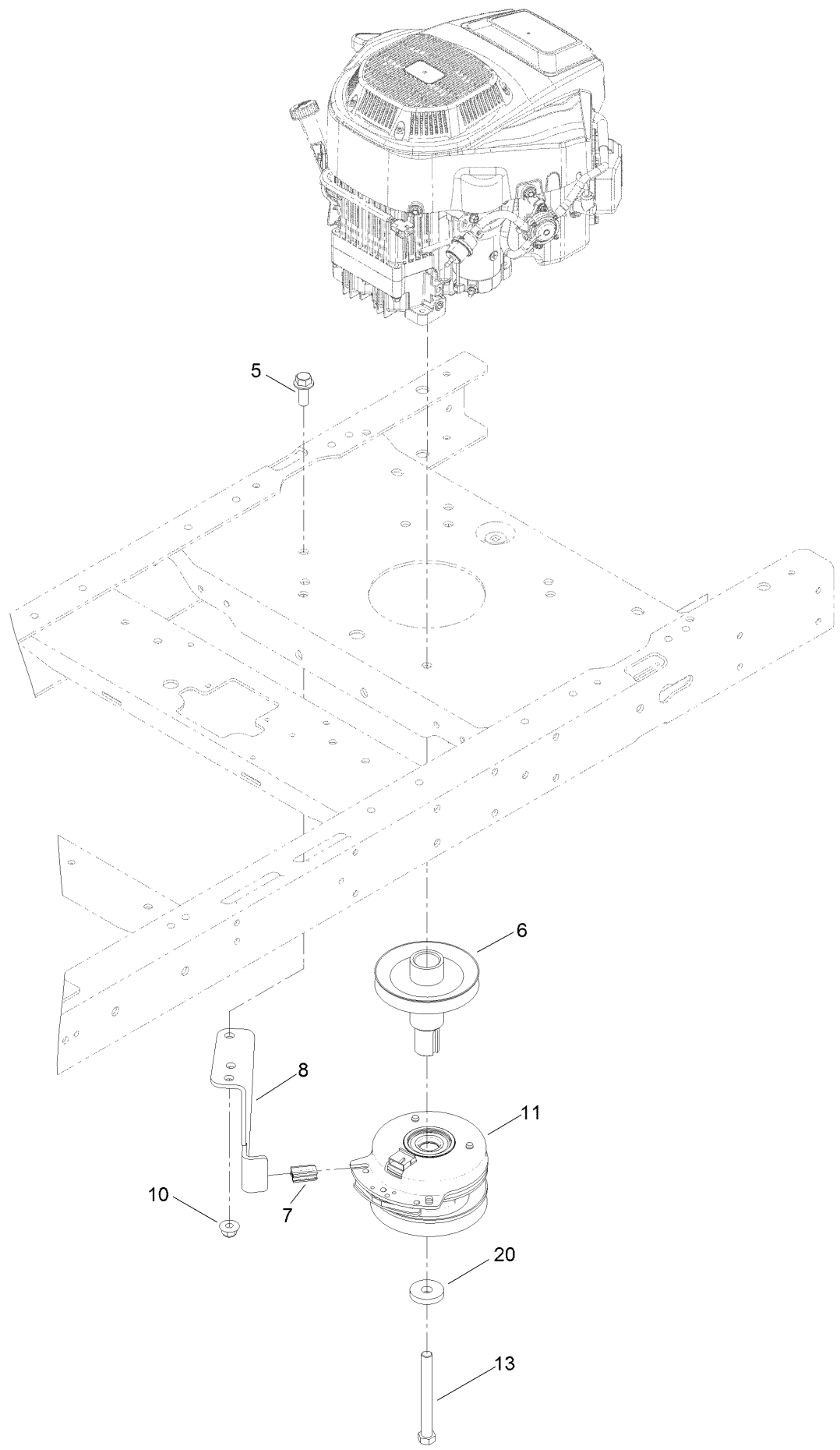
Engine and Muffler Assembly (continued)

<i>Ref.</i>	<i>Part Number</i>	<i>Qty.</i>	<i>Description</i>	<i>Ref.</i>	<i>Part Number</i>	<i>Qty.</i>	<i>Description</i>
1		1	Engine-Kohler 22HP 7000 Series Autochoke ●■	9	117-1261	1	Oil Drain Hose ASM
1:1	110-6697	2	Gasket-Exhaust	12	3253-4	4	Washer-Lock
1:3	281-2	1	Plug-Pipe, SQH	14	32144-109	4	Screw-Taptite
2	614249	1	Tie-Cable	17	3256-24	3	Washer-Flat
3	3274-10	4	Screw-HSH	24	131-1071-03	1	Shield-Heat
4	117-7462	1	Muffler-Kohler	25	46-8560	2	Screw-HHFTF

● Not serviced separately

■ Obtain parts from www.kohlerplus.com

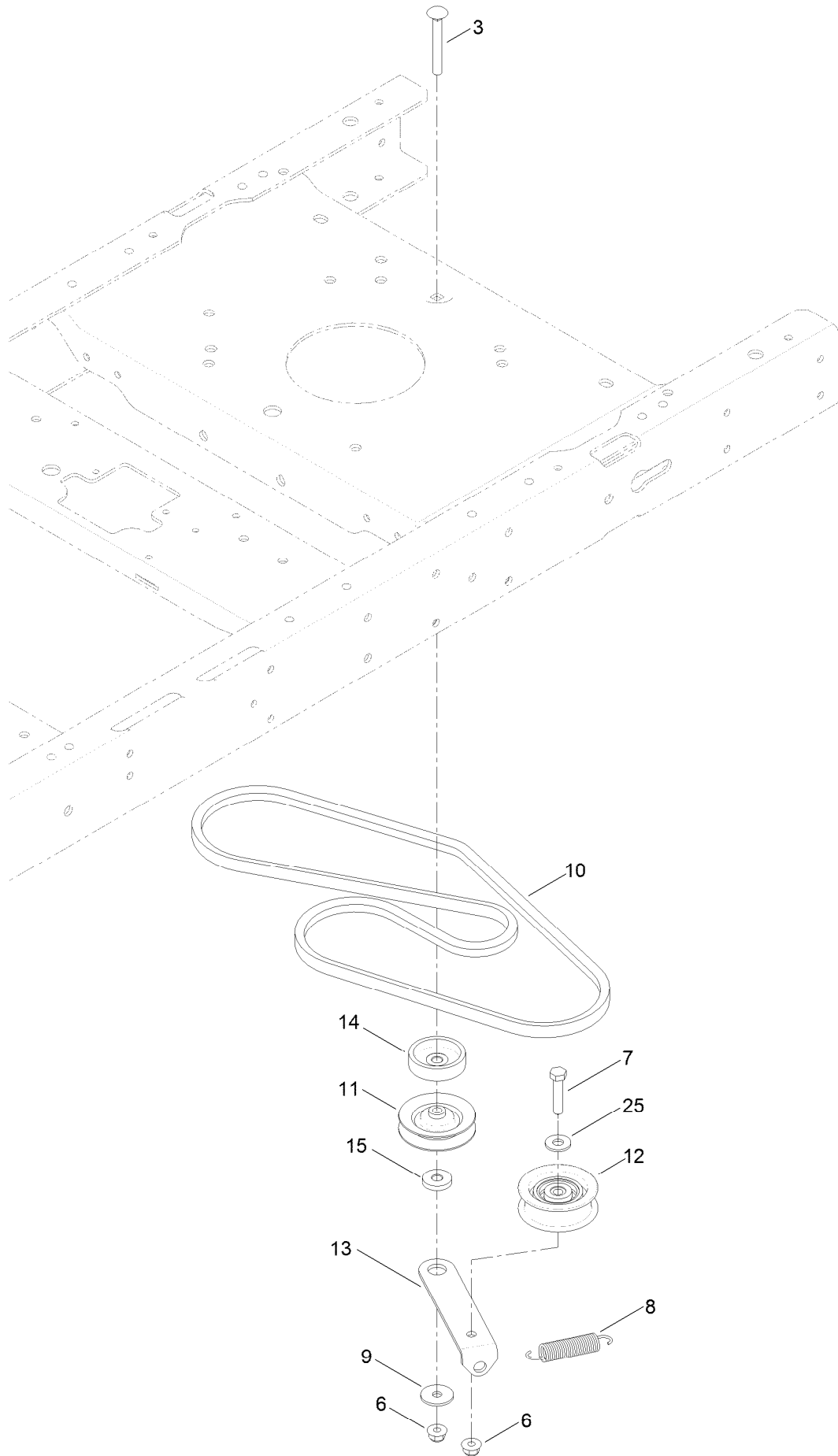
Clutch Assembly



Clutch Assembly (continued)

<i>Ref.</i>	<i>Part Number</i>	<i>Qty.</i>	<i>Description</i>	<i>Ref.</i>	<i>Part Number</i>	<i>Qty.</i>	<i>Description</i>
5	3234-42	1	Screw-HHF	10	104-8301	1	Nut-Flange, NI
6	130-6854	1	Pulley-Engine	11	127-3410	1	Clutch-PTO
7	120-2217	1	Isolator-Clutch	13	3212-19	1	Screw-HH
8	119-8885	1	Stop-Clutch	20	112843	1	Washer

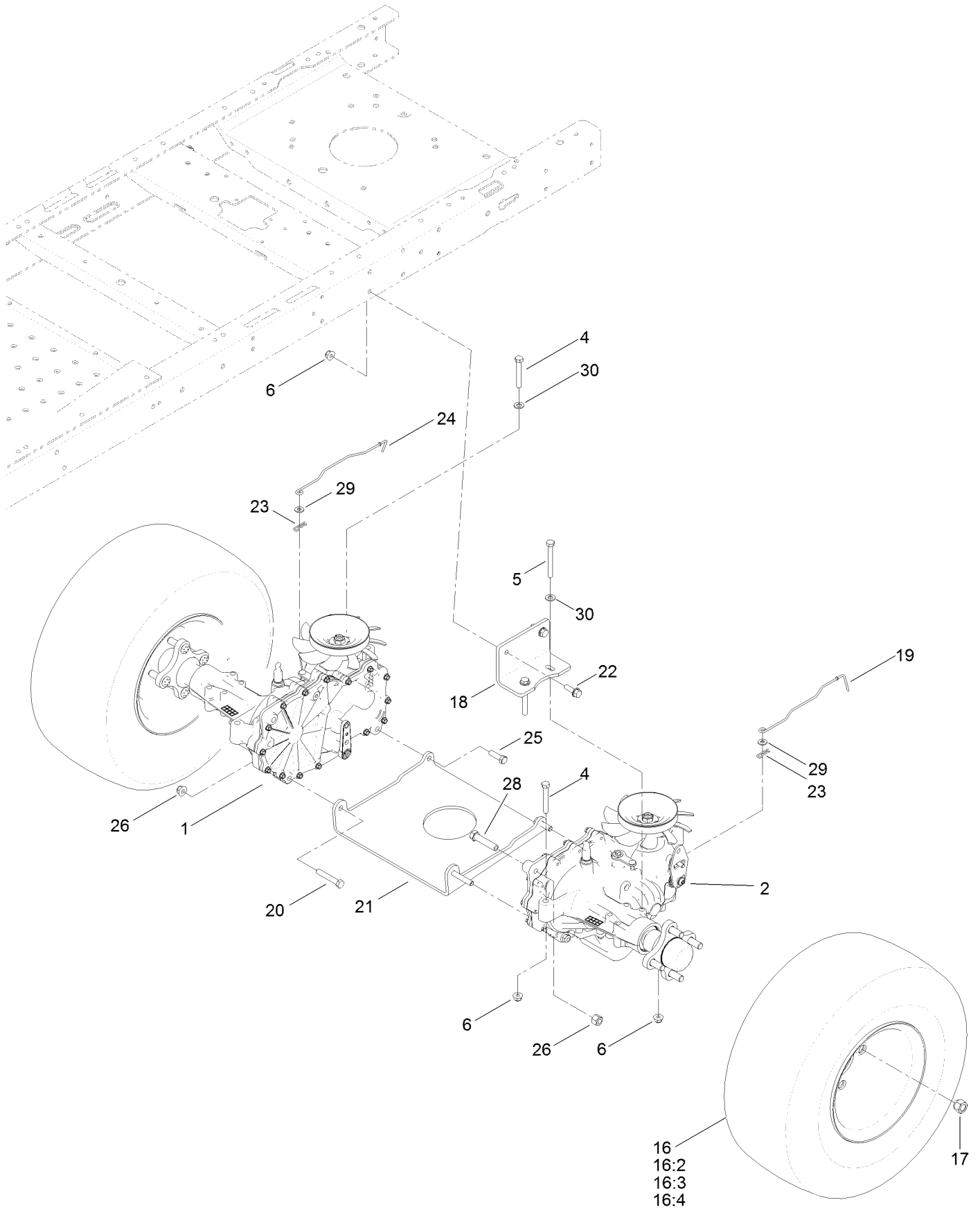
Belt and Idler Assembly



Belt and Idler Assembly (continued)

<i>Ref.</i>	<i>Part Number</i>	<i>Qty.</i>	<i>Description</i>	<i>Ref.</i>	<i>Part Number</i>	<i>Qty.</i>	<i>Description</i>
3	3230-8	1	Screw-CARR	11	119-8822	1	Pulley-Idler
6	104-8300	2	Nut-Flange, NI	12	106-2176	1	Pulley-Idler
7	322-7	1	Screw-HH	13	119-3326	1	Arm-Idler
8	104-6415	1	Spring-Return, Pedal	14	119-3353	1	Spacer
9	5-4460	1	Washer-Pivot	15	119-3327	1	Spacer-Arm, Idler
10	130-6976	1	V-Belt	25	3256-3	1	Washer-Flat

Hydro Transaxle Drive and Rear Wheel Assembly

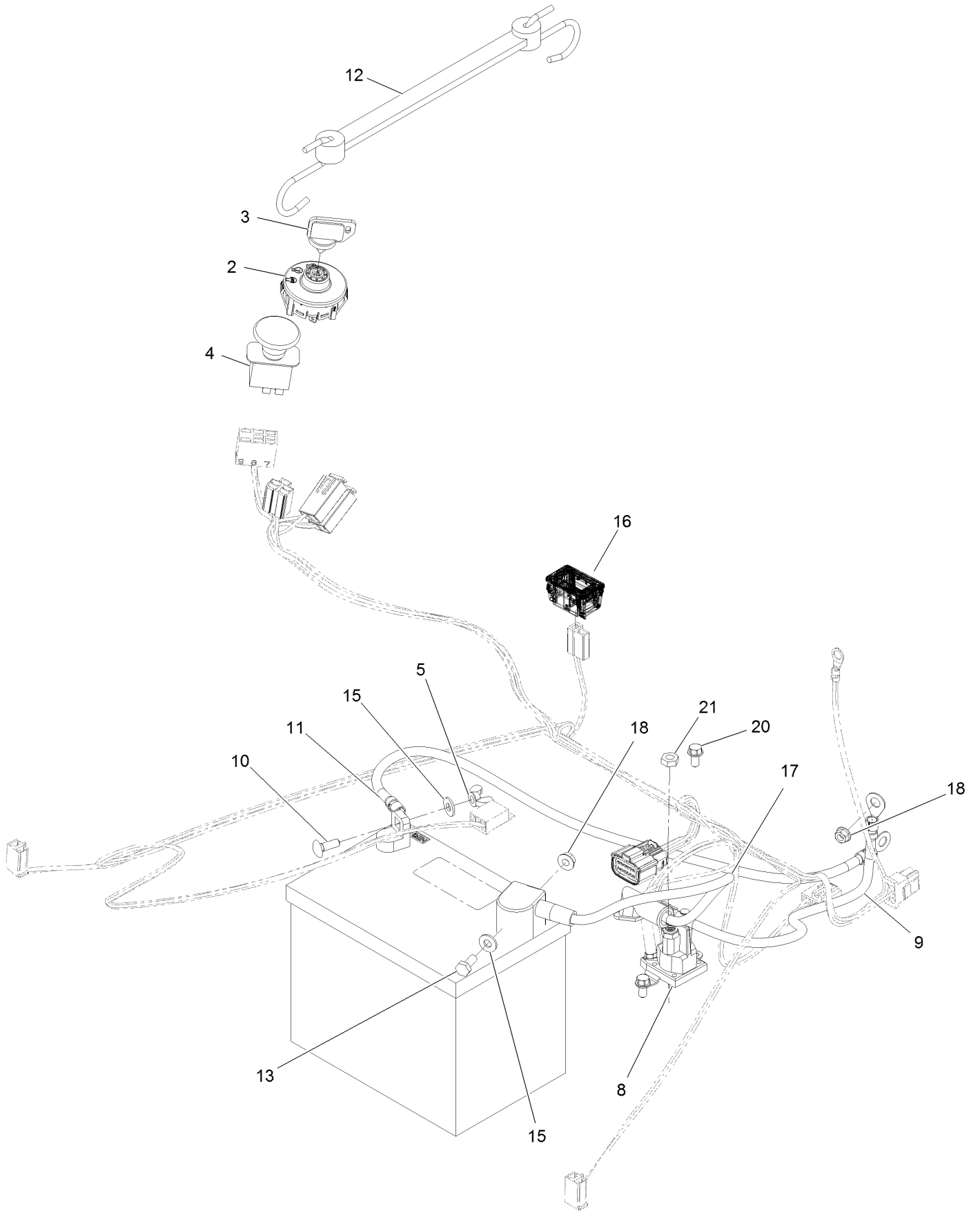


Hydro Transaxle Drive and Rear Wheel Assembly (continued)

<i>Ref.</i>	<i>Part Number</i>	<i>Qty.</i>	<i>Description</i>	<i>Ref.</i>	<i>Part Number</i>	<i>Qty.</i>	<i>Description</i>
1	130-6961	1	RH Hydro Transmission ASM	18	121-0745-01	2	Mount-Hydro
2	130-6960	1	LH Hydro Transmission ASM	19	130-7048	1	Rod-Bypass, LH
4	322-11	4	Screw-HH 5/16-18 X 2 1/4	20	323-11	2	Screw-HH 3/8-16 X 2 1/4
5	322-13	4	Screw-HH 5/16-18 X 2 3/4	21	130-0718-01	1	Plate-Cross, Hydro
6	104-8300	12	Nut-Nyloc 5/16-18 Flg	22	3234-29	4	Screw-HH Flg 5/16-18 X 1
16	131-3673	2	2 Ply Tire And Wheel ASM	23	3290-307	2	Pin-Cotter
16:2	131-3680	1	Tire-2 Ply	24	130-7047	1	Rod-Bypass, RH
16:3	232-27	1	Stem-Valve	25	323-7	2	Screw-HH 3/8-16 X 1 1/4
16:4	93-3893	1	Tube-Inner ●	26	104-8301	6	Nut-Nyloc 3/8-16 Flg
17	242-50	8	Nut-Lug 1/2-20	28	323-9	2	Screw-HH 3/8-16 X 1 3/4
				29	119-8952	2	Washer
				30	3256-23	6	Washer-5/16 Sae

● Not illustrated

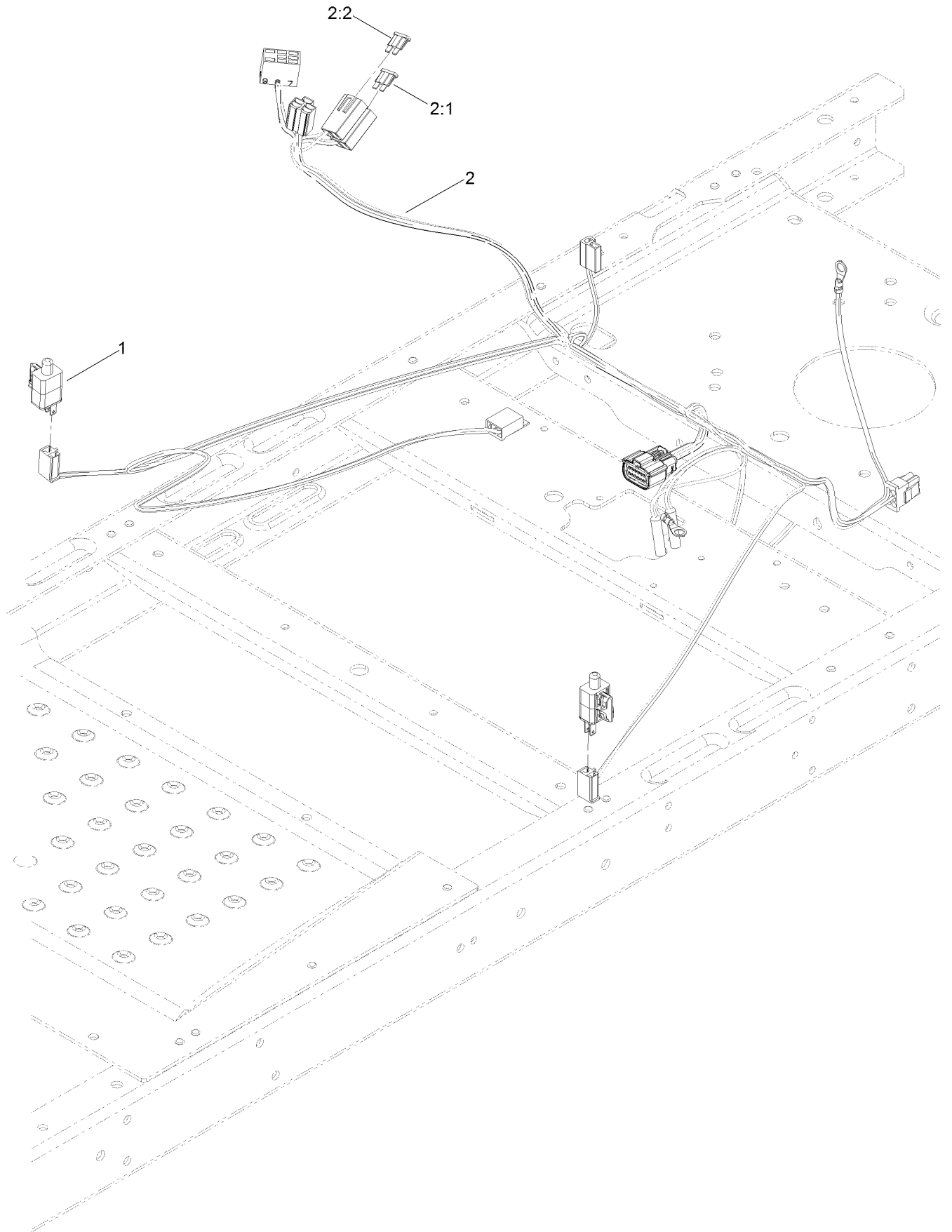
Electrical Assembly



Electrical Assembly (continued)

<i>Ref.</i>	<i>Part Number</i>	<i>Qty.</i>	<i>Description</i>	<i>Ref.</i>	<i>Part Number</i>	<i>Qty.</i>	<i>Description</i>
2	117-2221	1	Switch-Ignition	13	321-3	1	Screw-HH 1/4-20 X 5/8
3	103-2106	1	Key-Exmark Logo	15	3256-22	2	Washer-1/4 Sae
4	103-5221	1	Switch-PTO	16	120-2244	1	Hourmeter
5	32103-22	1	Nut-Wing	17	119-8897	1	Cable-Battery, Red
8	117-1197	1	Solenoid	18	32128-33	2	Nut-Whizlock 1/4-20
9	121-0711	1	Cable-Battery, Positive	20	32144-4	2	Screw-HWH 1/4-20 X 1/2 Taptite
10	3229-1	1	Bolt-Carriage 1/4-20 X 3/4	21	3220-2	2	Nut-Jam 5/16-24
11	121-5726	1	Cable-Battery, Black				
12	104-2466	1	Holddown-Battery				

Fuse and Wire Harness Assembly



Fuse and Wire Harness Assembly (continued)

<i>Ref.</i>	<i>Part Number</i>	<i>Qty.</i>	<i>Description</i>	<i>Ref.</i>	<i>Part Number</i>	<i>Qty.</i>	<i>Description</i>
1	110-6765	2	Switch	2:1	109103	1	Fuse-Blade, 30 Amp
2	130-7013	1	Harness-Wire ●	2:2	109102	1	Fuse-Blade, 25 Amp

● Use dielectric grease on all unsealed connectors and terminals only. Do not apply in sealed connectors.

Notes:

Notes:

Notes:

EXMARK® MAINTENANCE

MAXIMIZE THE PERFORMANCE OF YOUR EXMARK.

4-CYCLE PREMIUM ENGINE OIL

Part No. 116-3373

Both SAE 30 and SAE 10W-30 in one bottle.

Contains increased levels of zinc and phosphorus for better lubricity.

No Viscosity Index Improvers that tend to shear down in high heat.

Synthetic formulation.

Gas & Diesel compatible.

Anti-corrosion additives.

API 'SL' and JASO rated with wet clutch compatibility for other machines.

PREMIUM HYDRO OIL

Part No. 109-9828

Commercial quality for tough, high-heat conditions.

Designed specifically for zero-turn mower hydraulic systems.

Superior shear resistance under heavy loads.



Available from your local Exmark dealer. Find your closest dealer at exmark.com

EXMARK ACCESSORIES AND OPTIONS*

MID-MOUNT RIDING ACCESSORIES AND OPTIONS

CUSTOM RIDE SEAT SUSPENSION SYSTEM	OPERATOR CONTROLLED DISCHARGE
FULL SUSPENSION SEAT	SUN SHADE
DECK LIFT ASSIST KIT	TRASH CONTAINER
HITCH KIT	TURF STRIPER
LIGHT KIT	ULTRA VAC COLLECTION SYSTEM
12V POWER PORT	ULTRA VAC QUICK DISPOSAL SYSTEM
MICRO-MULCH SYSTEM	

OUT-FRONT RIDING ACCESSORIES AND OPTIONS

CUSTOM RIDE SEAT SUSPENSION SYSTEM	SNOW BLADE
DUAL-TAIL WHEEL	SNOWBLOWER
FLOOR PAN EXTENDER	SUN SHADE
HITCH KIT	TRASH CONTAINER
LIGHT KIT	ULTRA VAC COLLECTION SYSTEM
MICRO-MULCH SYSTEM	ULTRA VAC QUICK DISPOSAL SYSTEM
ROLL OVER PROTECTION SYSTEM (ROPS)	WEATHER CAB

WALK-BEHIND ACCESSORIES AND OPTIONS

GRASS CATCHER	TURF STRIPER
MICRO-MULCH SYSTEM	STANDON

*Some accessories and options not available for some models.

Place Model No. and Serial No.
Label Here (Included in the Literature
Pack) or Fill in Below

Model No. _____

Serial No. _____

Date Purchased _____

Engine Model No. and Spec. No. _____

Engine Serial No. (E/No) _____

© 2015 Exmark Mfg. Co., Inc.
Industrial Park Box 808
Beatrice, NE 68310
All Rights Reserved

Part No. 4502-285 Rev. A
(402)223-6290
Fax (402) 223-5489
Printed in the USA.

