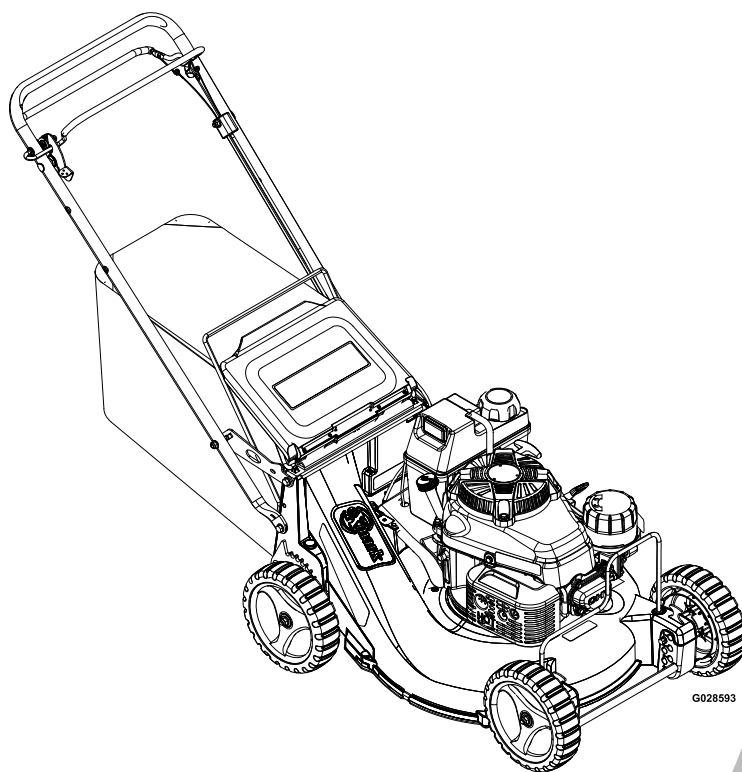




COMMERCIAL 21

Model No. ECS180GKA21000—Serial No. 31600000 and Up

Picture below may not reflect actual product.



Parts Manual

Part No. 4502-548 Rev. A

Ordering Replacement Parts

To order replacement parts, please supply the part number, the quantity, and the description of each part desired.

Understanding Reference Numbers

Each identified part in an illustration has a reference number. The reference number for a part also appears in the parts list, along with other information about the part.

This catalog uses two special reference number formats, one to indicate parts in a service assembly and another to indicate the quantity of a given part in an illustration.

Service Assembly Reference Numbers

Parts in service assemblies have reference numbers in the form a:b. The a represents the reference number of the entire service assembly and the b represents a sequential number unique to each part within the service assembly.

For example, a wheel assembly might be identified by reference number 6, the tire by 6:1, the valve by 6:2, and the wheel by 6:3. When you order the assembly identified by reference number 6, you receive all parts identified by reference numbers 6:1, 6:2, and 6:3. However, you may also order any part individually. Reference numbers of this type appear in illustration and in parts lists.

Reference Numbers Indicating Quantity

In an illustration, if a reference number indicates more than one part, the reference number has the form nX y. The n represents the quantity of the part, the X is the multiplication symbol, and the y represents the reference number.

For example, in an illustration, the reference number 2X 37 means that two of the parts identified by reference number 37 are indicated.

List of Abbreviations

AR: as required	HLH: hex lag head	PTH: phillips truss head
ASM: assembly	HOC: height-of-cut	PTO: power-take-off
BBC: blade brake control	HP: high pressure	RH: right hand
BHTF: button head thread forming	HSBH: hex socket button head	ROPS: roll-over protection system
CARR: carriage	HSFH: hex socket flat head	RRB: rear roller brush
CCW: counter clockwise	HSH: hex socket head	SFH: slotted fillister head
CW: clockwise	HWH: hex washer head	SHH: slotted hex head
DEG: degrees	HWHTF: hex washer head thread forming	SHWH: slotted hex washer head
DPA: Dual Point Adjustment	HYD: hydraulic	SPH: slotted pan head
ECM: electronic control module	LH: left hand	SQH: square head
EXT: external	LP: low pressure	SRH: slotted round head
FH: flat head	LPG: Liquefied Petroleum Gas	STD: standard
GA: gauge	NI: nylon insert	TAP: self tapping
HD: heavy-duty	NPTF: national pipe thread fine	TTH: torx truss head
HF: hex flange	PFH: phillips flat head	
HH: hex head	PPH: phillips pan head	
HHF: hex head flange	PPHTF: phillips pan head thread forming	
HHFTF: hex head flange thread forming	PRH: phillips round head	
HJ: hex jam		

Touch Up Paint

Exmark black touch up spray paint – gloss black.

Exmark red touch up paint (spray paint – P/N 1-850337 - .6 oz liquid bottle – P/N 103-9140).

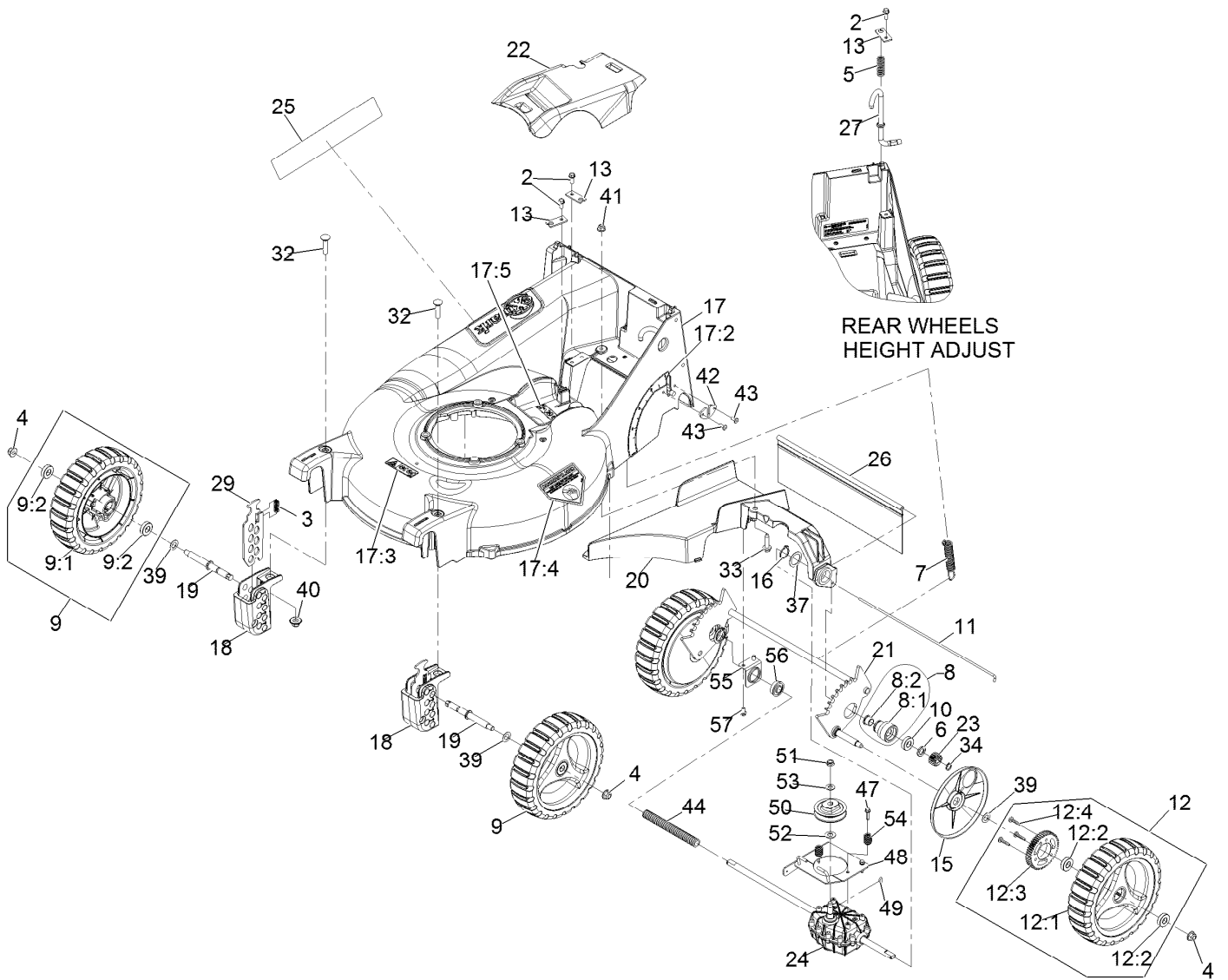


If your Exmark dealer does not have the Exmark part in stock, Exmark will get the parts to the dealer the next business day or the part will be FREE Guaranteed!! (Some restrictions apply. See your participating Exmark Dealer for details.)

Contents

Deck and Wheel Assembly 4
Bag and Door Assembly 6
Handle Assembly 8
Blade Assembly 10
Engine Assembly 12

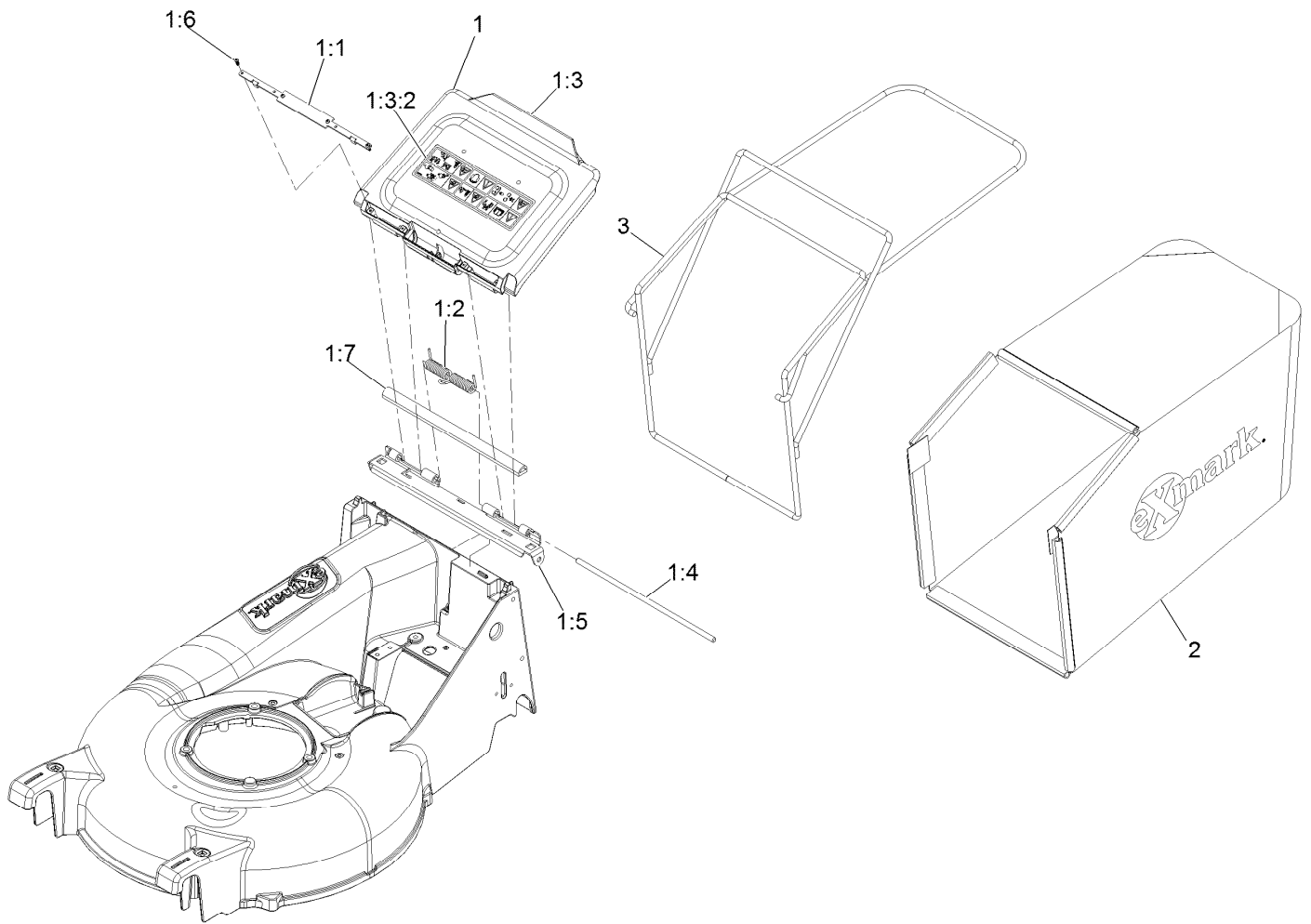
Deck and Wheel Assembly



Deck and Wheel Assembly (continued)

<i>Ref.</i>	<i>Part Number</i>	<i>Qty.</i>	<i>Description</i>	<i>Ref.</i>	<i>Part Number</i>	<i>Qty.</i>	<i>Description</i>
2	32144-85	2	Screw-HWH 1/4-20 X .62	21	109-9312	1	Wld,Rear Axle P21
3	109-7258	2	Spring-Compression	22	109-9324	1	Cover,Belt
4	104-8301	4	Nut-Nyloc 3/8-16 Flg	23	110-9417	2	Gear-Pinion, 15T
5	109-7694	1	Spring-Compression	24	116-9906	1	Transmission-HD, 4.5/1
6	108-5059	2	Spacer-Bushing	25	126-6885	1	Decal-Comm 21 S-Series
7	109-7692	1	Spring-Extension	26	116-0252	1	Shield-Trailing P21
8	116-6172	2	Housing ASM	27	116-0329	1	Rod-Height Adj P21
8:1	116-6171	1	Housing-Bearing	29	109-9292	2	Plate, Front Height
8:2	116-4279	1	Bearing-Flange	32	109-8449	2	Bolt-Carriage 3/8-16 X 1 1/2
9	109-8016	2	Wheel And Tire ASM	33	32144-49	1	Screw-HWH 5/16-18 1 1/4 Tf
9:1	109-8033	1	9-Inch Wheel ASM	34	32151-61	2	Ring-Retaining
9:2	109-8020	2	Bearing-Ball	37	74-1810	2	Washer
10	109-8020	2	Bearing-Ball	39	36-4780	4	Washer
11	109-8025	1	Rod,Shield	40	109-6658	2	Nut-Nyloc 3/8-16 Flg
12	109-8032	2	ASM,Rear Wheel 9"	41	104-8300	1	Nut-Nyloc 5/16-18 Flg
12:1	109-8033	1	9-Inch Wheel ASM	42	116-2221	1	Plate,Wear
12:2	109-8020	2	Bearing-Ball	43	114439	2	Rivet
12:3	109-7264	1	Gear	44	126-2335	1	Cover-Shaft-Drive
12:4	27-6260	3	Screw-Drive	47	27-0220	3	Screw-Special
13	109-8441	2	Bracket,Mount	48	116-3539-03	1	Transmission Plate ASM
15	109-9287	2	Cover,Gear	49	3257-1	1	Key-Woodruff 1/8 X 1/2
16	32151-36	2	Ring-Retaining	50	39-6740	1	Pulley
17	116-2006	1	Deck W/Decals	51	3296-5	1	Nut-Nyloc 3/8-24 Thin
17:2	116-1922	1	Decal-Height Of Cut	52	36-4792	1	Washer-Thrust
17:3	130-9670	1	Decal-Warning, Blade	53	3256-45	1	Washer-Flat
17:4	94-8072	1	Decal-Danger	54	116-1438	2	Spring,Compression
17:5	119-0217	1	Decal-Danger	55	120-7008	1	Mount-Bearing
18	109-9302	2	Block,Front Quadrant	56	104-8699	1	Bearing-Ball
19	116-0994	2	Axle-Wheel	57	9266714	2	Screw-HWH 1/4-20 X .50
20	116-9646-01	1	Bracket-Transmission And Chute				

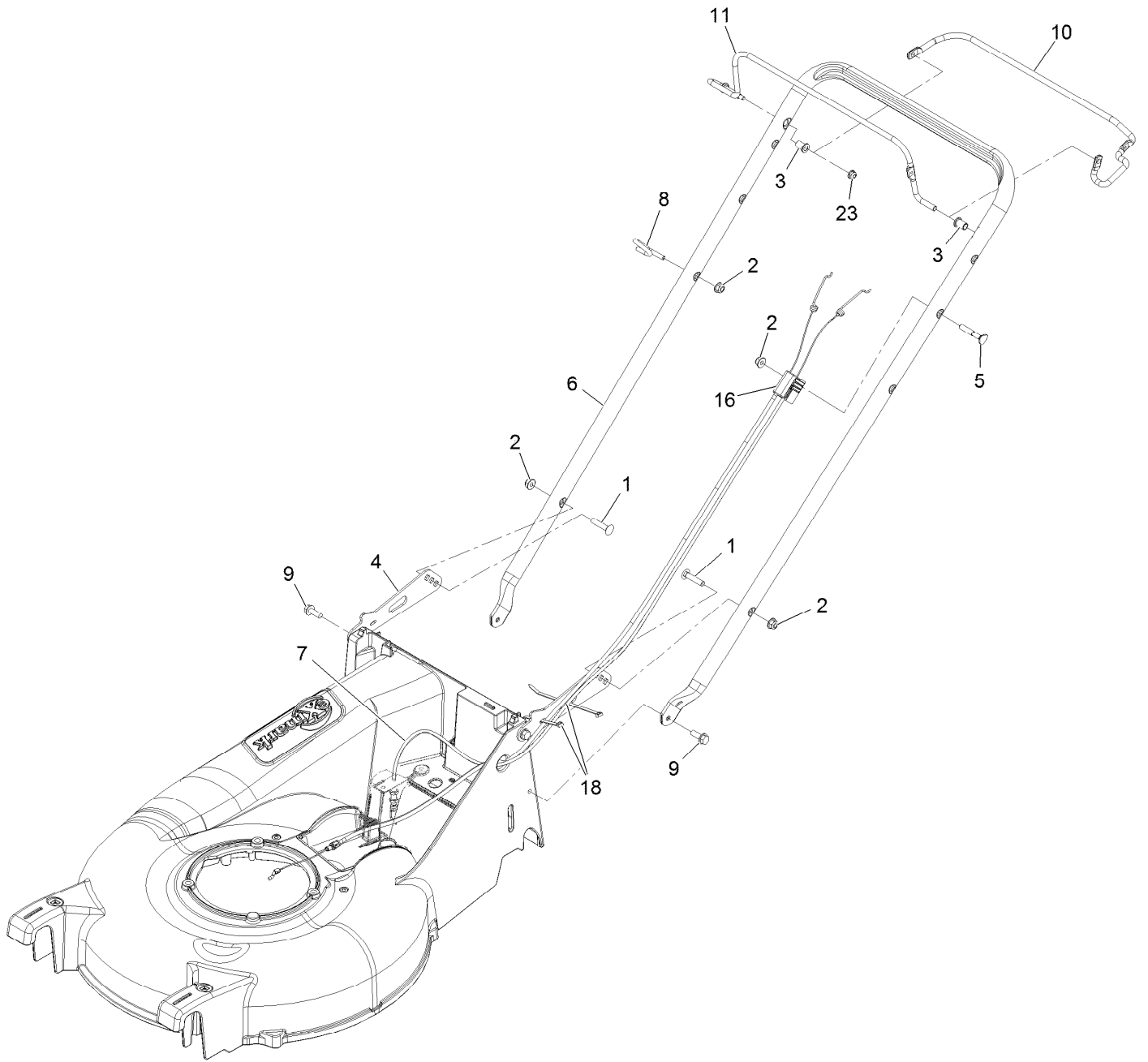
Bag and Door Assembly



Bag and Door Assembly (continued)

<i>Ref.</i>	<i>Part Number</i>	<i>Qty.</i>	<i>Description</i>	<i>Ref.</i>	<i>Part Number</i>	<i>Qty.</i>	<i>Description</i>
1	126-6086	1	Door ASM	1:5	126-2636-03	1	Bracket-Door Pivot
1:1	126-2628-03	1	Plate, Door Cover	1:6	363-1596	4	Screw-PPHTF #6-19 X 7/16
1:2	126-2627	1	Spring-Plastic Door	1:7	126-5438	1	Seal-Epdm Foam Bulb
1:3	126-4200	1	ASM-Door & Decal	2	126-2630	1	Bag-21 Grass
1:3:2	116-7583	1	Decal-Warning	3	126-2631-03	1	Wld-Bag Frame
1:4	126-2635	1	Pin-Door Pivot				

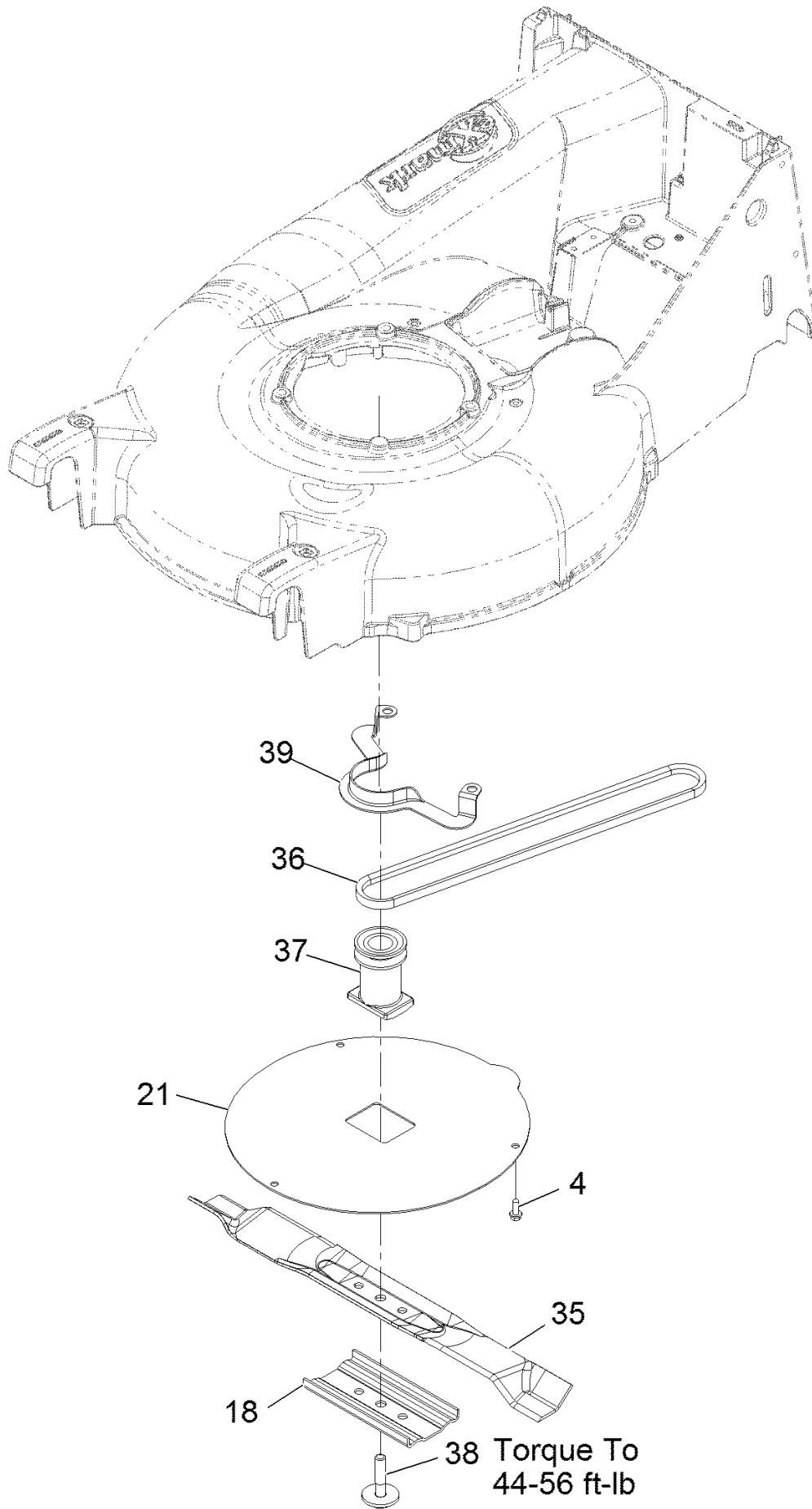
Handle Assembly



Handle Assembly (continued)

<i>Ref.</i>	<i>Part Number</i>	<i>Qty.</i>	<i>Description</i>	<i>Ref.</i>	<i>Part Number</i>	<i>Qty.</i>	<i>Description</i>
1	33-5790	2	Bolt-Carriage 5/16-18 X 1 1/2	8	116-1056	1	Guide,Rope
2	104-8300	4	Nut-Nyloc 5/16-18 Flg	9	32144-41	4	Screw-HWH 3/8-16 X 7/8 Taptite
3	116-1478	2	Bushing-Handlebar	10	116-7797	1	Bail-Drive
4	109-9323-03	2	Bracket,Handlebar	11	116-2252	1	Bail,OpC/BBC
5	112-8876	1	Bolt-Carriage 5/16-18 X 2	16	116-0905	1	Cable-Zone Kawasaki
6	116-0119-03	1	Handlebar-P21	18	614249	2	Tie-Cable
7	116-9701	1	Cable, Drive	23	104-7201	1	Nut-Nyloc 1/4-20 Flg

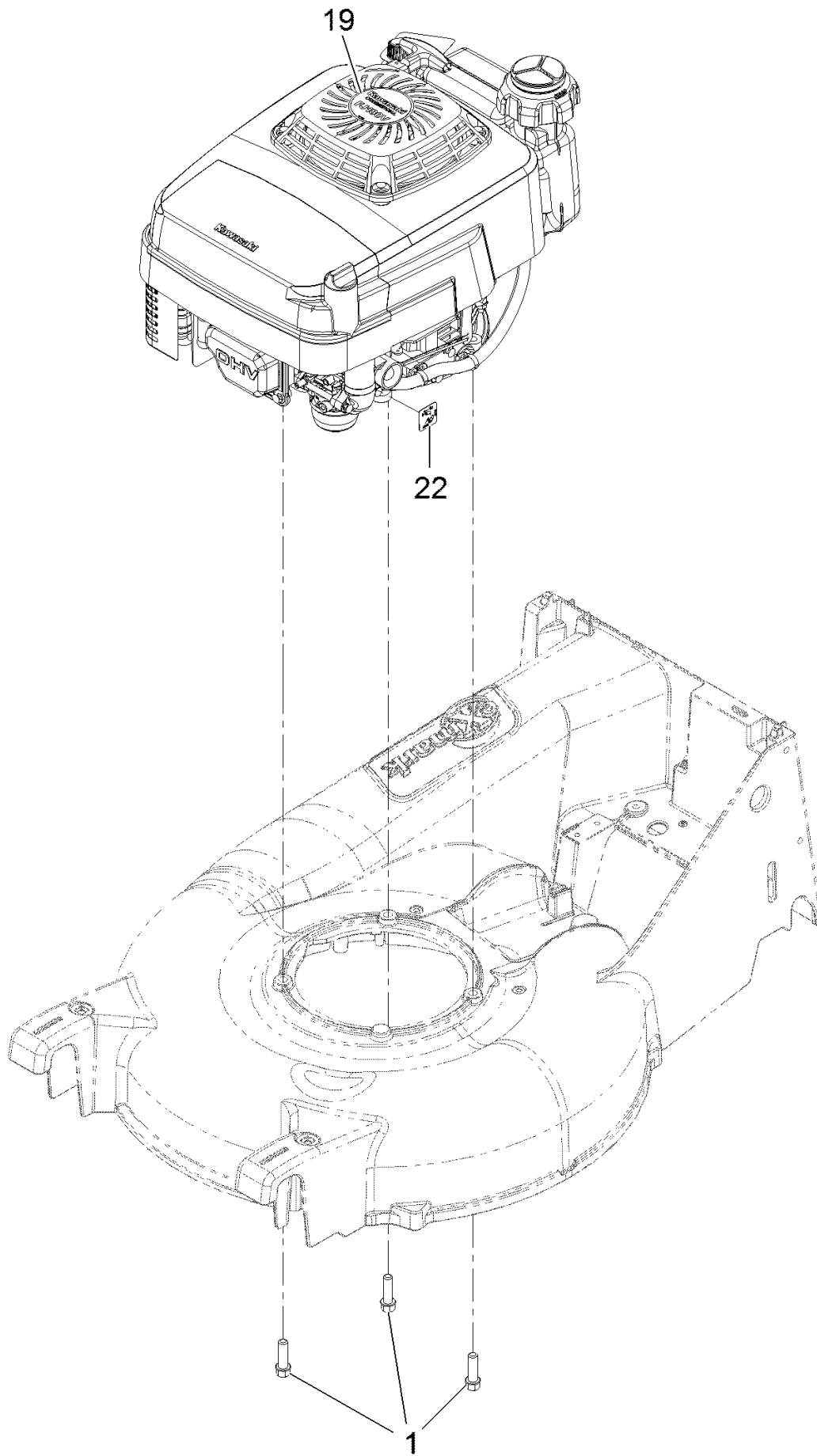
Blade Assembly



Blade Assembly (continued)

<i>Ref.</i>	<i>Part Number</i>	<i>Qty.</i>	<i>Description</i>	<i>Ref.</i>	<i>Part Number</i>	<i>Qty.</i>	<i>Description</i>
4	32144-85	3	Screw-HWH 1/4-20 X .62	36	109-7299	1	Belt,3L P21 Drive
18	108-3766-03	1	Support-Blade	37	109-7257	1	Blade-Adapter
21	116-3503-03	1	Cover-As	38	116-0005	1	Bolt-Blade, Sem
35	116-4500	1	Blade-Medium Lift, 20.5	39	108-8110-03	1	Guide-Belt

Engine Assembly



Engine Assembly (continued)

<i>Ref.</i>	<i>Part Number</i>	<i>Qty.</i>	<i>Description</i>
1	95-1727	3	Screw-HWH 3/8-16 X 1 1/4 Tapite
19	107-4201	1	Decal-Recoil
22	125-8403	1	Decal-Primer

Notes:



MAXIMIZE THE PERFORMANCE OF YOUR EXMARK MACHINE.



EXMARK® PREMIUM ENGINE OIL

Exmark now offers a family of engine oil viscosities to perform well in any environment. Each viscosity has the same synthetic formulation to give you what you need in punishing conditions. We designed each grade to the highest quality, making it ideal even for diesel applications. Coupled with Exmark Premium Fuel Treatment, we have the performance products to make your machine hum.

EXMARK PREMIUM ENGINE OIL SAE 30/10W-30

- Meets zero shear requirements of a straight grade SAE 30 as well as the cold temp properties of a 10W-30.
- Most versatile oil in the industry.
- Superior corrosion protection over conventional oil - even in corrosive, humid environments.

EXMARK PREMIUM ENGINE OIL SAE 20W-50

- Perfect for your big block engine, or any application in severe service.
- Same full synthetic formulation as all other Exmark Premium viscosities.
- Also effective for use in severe service small block engines.

EXMARK PREMIUM ENGINE OIL SAE 10W-50

- Full synthetic formulation gives you peak performance. Don't settle for less.
- Wide span multi-grade combines easy starting in cold weather with maximum protection in high temperature operation.
- Reduce friction & wear over standard mineral formulations.

EXMARK PREMIUM ENGINE OIL SAE 0W-40

- The perfect choice for when the weather turns cold or unpredictable, and your Exmark UTV has to perform.
- Commercial quality for severe service.
- Advanced additive package helps prevent corrosion from long-term storage.

EXMARK PREMIUM ENGINE OIL UTV FORMULATION

- 4-cycle high-temp formulation.
- Heavier viscosity, full synthetic, perfect for your UTV.

EXMARK PREMIUM UTV EXTREME CONDITIONS GEAR OIL

- SAE 80W-90, designed to keep your UTV performing at its peak.
- Shear stable, hypoid gear lube.
- Includes a premium additive system to combat wear, oxidation, rust & corrosion.

Available from your local Exmark dealer. Find your closest dealer at exmark.com

EXMARK ACCESSORIES AND OPTIONS*

MID-MOUNT RIDING ACCESSORIES AND OPTIONS

CUSTOM RIDE SEAT SUSPENSION SYSTEM	OPERATOR CONTROLLED DISCHARGE
FULL SUSPENSION SEAT	SUN SHADE
DECK LIFT ASSIST KIT	TRASH CONTAINER
HITCH KIT	TURF STRIPER
LIGHT KIT	ULTRA VAC COLLECTION SYSTEM
12V POWER PORT	ULTRA VAC QUICK DISPOSAL SYSTEM
MICRO-MULCH SYSTEM	

OUT-FRONT RIDING ACCESSORIES AND OPTIONS

CUSTOM RIDE SEAT SUSPENSION SYSTEM	SNOW BLADE
DUAL-TAIL WHEEL	SNOWBLOWER
FLOOR PAN EXTENDER	SUN SHADE
HITCH KIT	TRASH CONTAINER
LIGHT KIT	ULTRA VAC COLLECTION SYSTEM
MICRO-MULCH SYSTEM	ULTRA VAC QUICK DISPOSAL SYSTEM
ROLL OVER PROTECTION SYSTEM (ROPS)	WEATHER CAB

WALK-BEHIND ACCESSORIES AND OPTIONS

GRASS CATCHER	TURF STRIPER
MICRO-MULCH SYSTEM	STANDON

*Some accessories and options not available for some models.

Place Model No. and Serial No.
Label Here (Included in the Literature
Pack) or Fill in Below

Model No. _____

Serial No. _____

Date Purchased _____

Engine Model No. and Spec. No. _____

Engine Serial No. (E/No) _____

© 2015 Exmark Mfg. Co., Inc.
Industrial Park Box 808
Beatrice, NE 68310
All Rights Reserved

Part No. 4502-548 Rev. A
(402) 223-6300
Fax (402) 223-5489
Printed in the USA.

