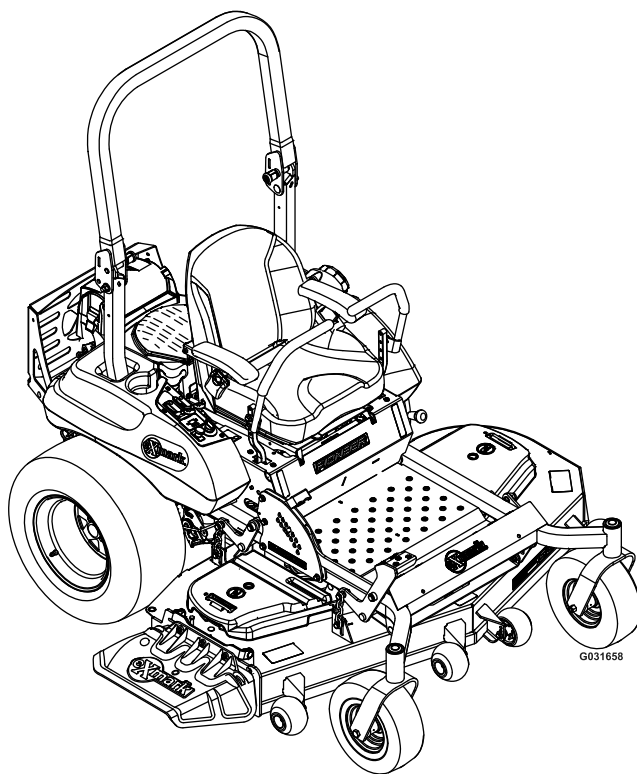




PIONEER®

Model No. PNE651GKA48200—Serial No. 31600000 and Up

Picture below may not reflect actual product.



Parts Manual

Ordering Replacement Parts

To order replacement parts, please supply the part number, the quantity, and the description of each part desired.

Understanding Reference Numbers

Each identified part in an illustration has a reference number. The reference number for a part also appears in the parts list, along with other information about the part.

This catalog uses two special reference number formats, one to indicate parts in a service assembly and another to indicate the quantity of a given part in an illustration.

Service Assembly Reference Numbers

Parts in service assemblies have reference numbers in the form a:b. The a represents the reference number of the entire service assembly and the b represents a sequential number unique to each part within the service assembly.

For example, a wheel assembly might be identified by reference number 6, the tire by 6:1, the valve by 6:2, and the wheel by 6:3. When you order the assembly identified by reference number 6, you receive all parts identified by reference numbers 6:1, 6:2, and 6:3. However, you may also order any part individually. Reference numbers of this type appear in illustration and in parts lists.

Reference Numbers Indicating Quantity

In an illustration, if a reference number indicates more than one part, the reference number has the form nX y. The n represents the quantity of the part, the X is the multiplication symbol, and the y represents the reference number.

For example, in an illustration, the reference number 2X 37 means that two of the parts identified by reference number 37 are indicated.

List of Abbreviations

AR: as required	HLH: hex lag head	PTH: phillips truss head
ASM: assembly	HOC: height-of-cut	PTO: power-take-off
BBC: blade brake control	HP: high pressure	RH: right hand
BHTF: button head thread forming	HSBH: hex socket button head	ROPS: roll-over protection system
CARR: carriage	HSFH: hex socket flat head	RRB: rear roller brush
CCW: counter clockwise	HSH: hex socket head	SFH: slotted fillister head
CW: clockwise	HWH: hex washer head	SHH: slotted hex head
DEG: degrees	HWHTF: hex washer head thread forming	SHWH: slotted hex washer head
DPA: Dual Point Adjustment	HYD: hydraulic	SPH: slotted pan head
ECM: electronic control module	LH: left hand	SQH: square head
EXT: external	LP: low pressure	SRH: slotted round head
FH: flat head	LPG: Liquefied Petroleum Gas	STD: standard
GA: gauge	NI: nylon insert	TAP: self tapping
HD: heavy-duty	NPTF: national pipe thread fine	TTH: torx truss head
HF: hex flange	PFH: phillips flat head	
HH: hex head	PPH: phillips pan head	
HHF: hex head flange	PPHTF: phillips pan head thread forming	
HHFTF: hex head flange thread forming	PRH: phillips round head	
HJ: hex jam		

Touch Up Paint

Exmark black touch up spray paint – gloss black.

Exmark red touch up paint (spray paint – P/N 1-850337 - .6 oz liquid bottle – P/N 103-9140).

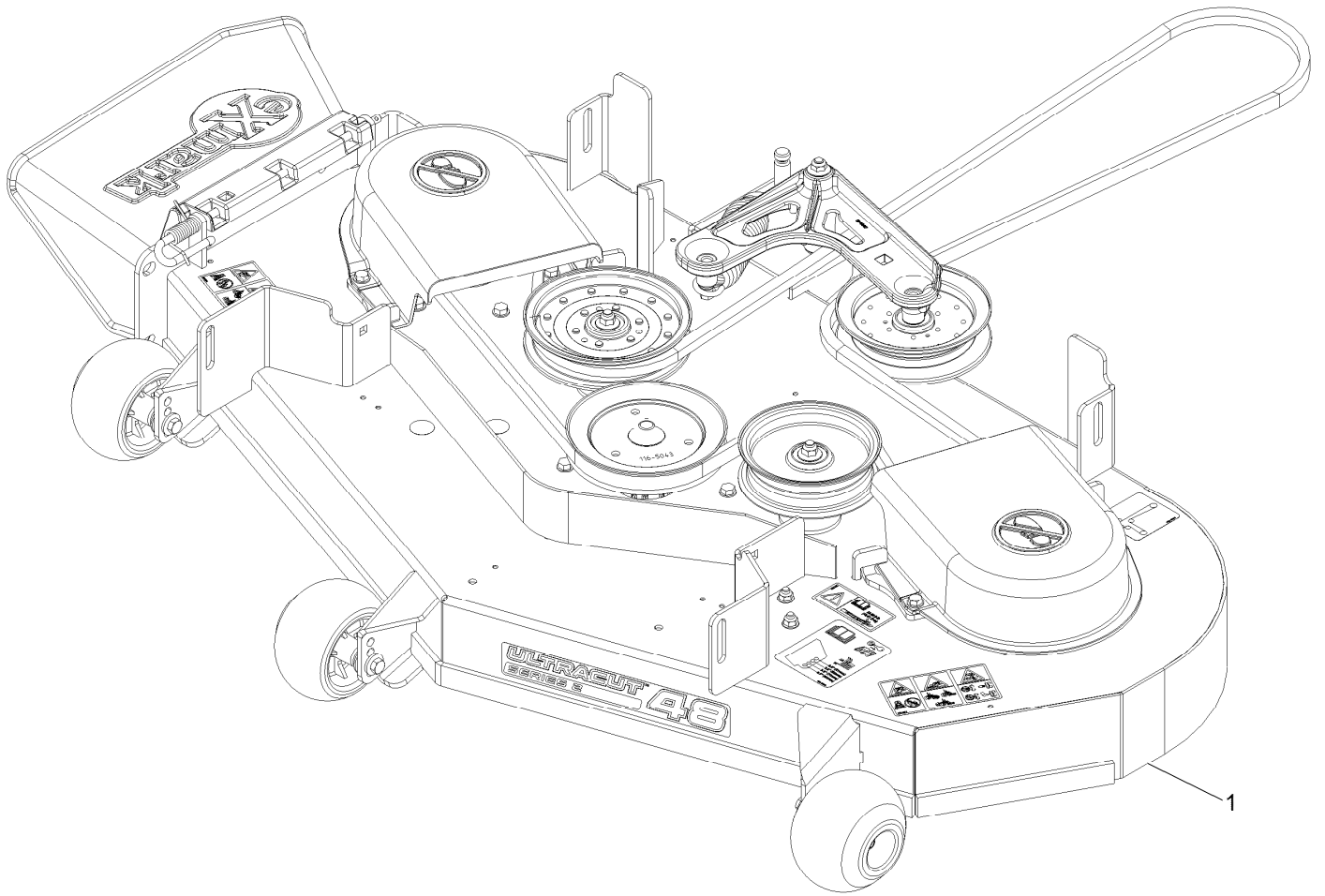


If your Exmark dealer does not have the Exmark part in stock, Exmark will get the parts to the dealer the next business day or the part will be FREE Guaranteed!! (Some restrictions apply. See your participating Exmark Dealer for details.)

Contents

Complete Deck Assembly.....	4
Deck Assembly.....	6
Deck W/Decals Assembly.....	8
Idler Arm W/Bearings Assembly.....	10
Main Frame Assembly.....	12
Main Frame W/Decals Assembly.....	14
Caster Wheel Assembly No. 120-2251.....	16
Roll-Over Protection System Assembly No. 116-3498.....	18
Deck Lift Assembly.....	20
Motion Control Assembly.....	22
LH Motion Control Assembly.....	24
RH Motion Control Assembly.....	26
Seat Assembly.....	28
Seat W/Tracks Assembly No. 126-6728.....	30
Controls Assembly.....	32
Fuel Tank Assembly.....	34
Fuel Tank Assembly No. 116-4610.....	36
Engine Assembly.....	38
Hydraulic Assembly.....	40
Transaxle Assembly.....	42
Electrical Assembly.....	44

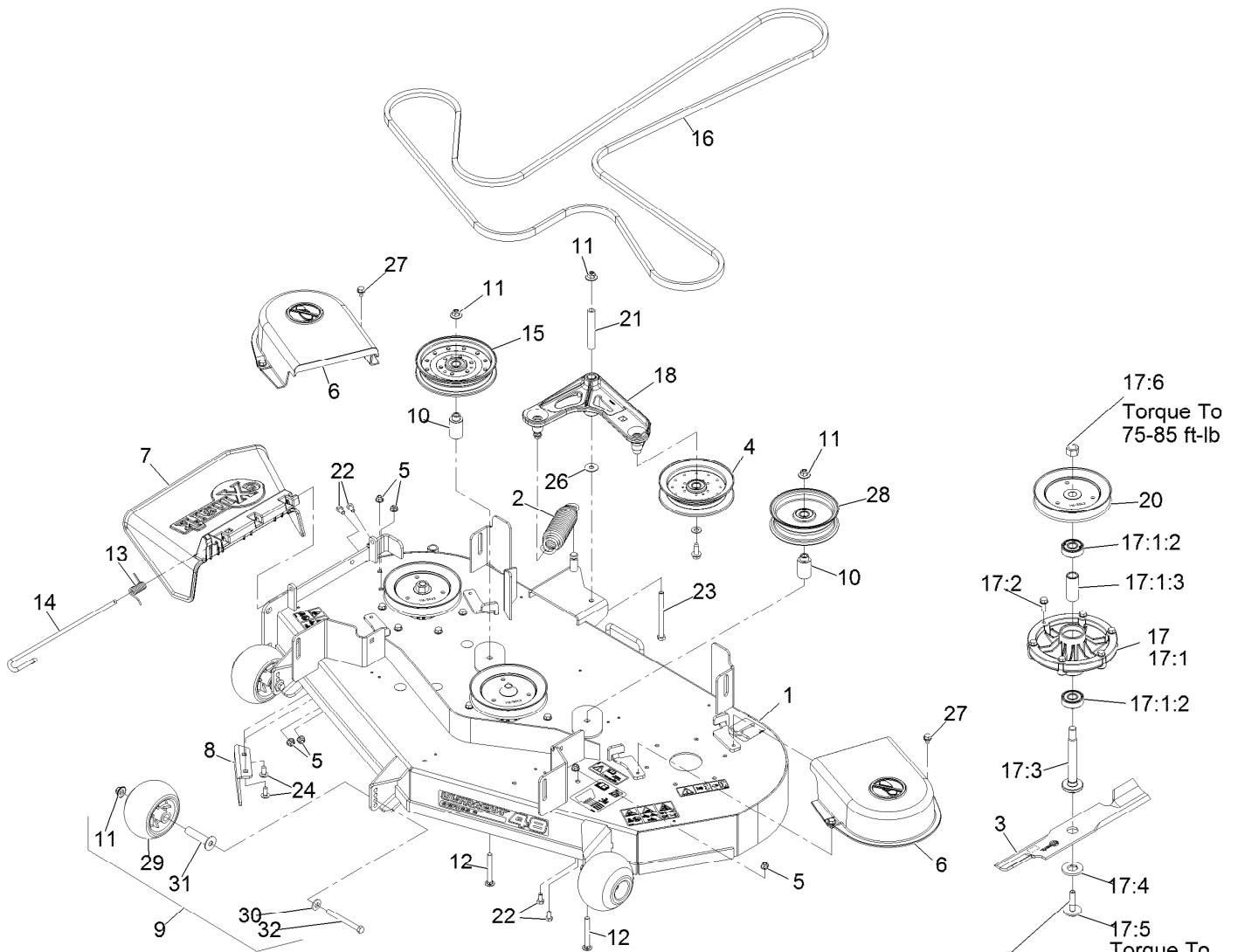
Complete Deck Assembly



Complete Deck Assembly (continued)

<i>Ref.</i>	<i>Part Number</i>	<i>Qty.</i>	<i>Description</i>
1	116-4808	1	ASM-Deck Complete 482

Deck Assembly



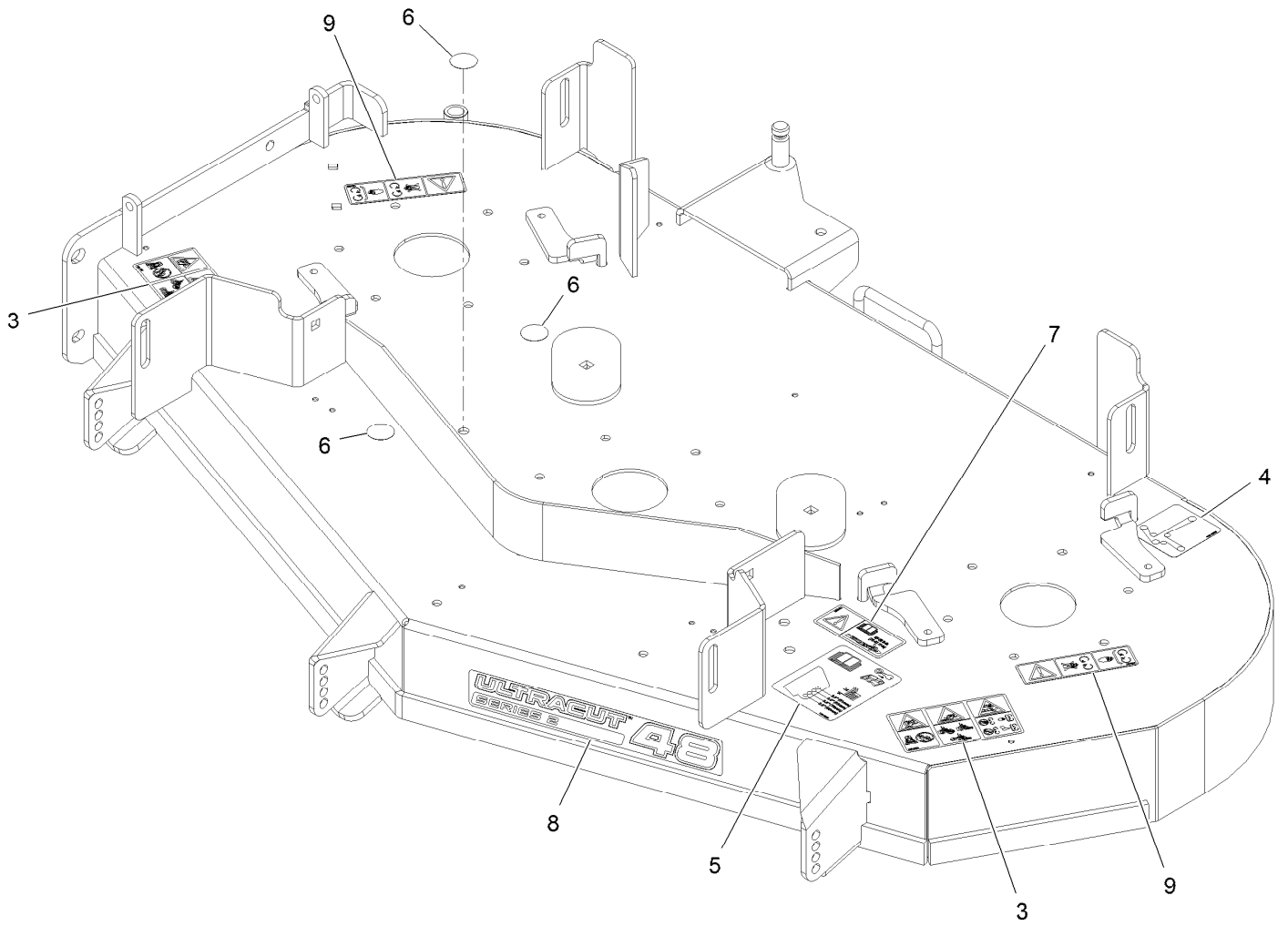
Apply lubricant to threads as needed to prevent seizing. Copper based anti-seize preferable. Grease is an acceptable substitute.

Deck Assembly (continued)

<i>Ref.</i>	<i>Part Number</i>	<i>Qty.</i>	<i>Description</i>	<i>Ref.</i>	<i>Part Number</i>	<i>Qty.</i>	<i>Description</i>
1	116-5047	1	ASM-482 Deck W/Decals	17:1:3	116-4876	1	Spacer-Bearing
2	116-6317	1	Spring-Extension	17:2	32144-41	6	Screw-HWH 3/8-16 X 7/8 Taptite
3	103-6401	3	Blade-Notched	17:3	109-7431	1	Spindle-Hex Pilot
3	103-6386	3	Blade, Low Lift	17:4	109-7429	1	Washer-Blade Drive
3	103-6381	3	Blade, Solid	17:5	116-0005	1	Bolt-Blade, Sem
3	109-6389	3	Blade Mulch ●	17:6	3219-6	1	Nut-Hex 5/8-18
3	116-5177	3	Blade-Extreme 2, 16.25"	18	126-0976	1	ASM-Idler Arm W/Bearings
4	116-4668	1	Idler-Pulley, Flanged	20	116-5043	3	Sheave, Blade Drive 5.90
5	104-8300	6	Nut-Nyloc 5/16-18 Flg	21	116-5111	1	Bushing
6	109-3449	2	Shield-Belt	22	322-2	4	Screw-HH 5/16-18 X 5/8
7	109-5151	1	Deflector-Discharge	23	323-23	1	Screw-HH 3/8-16 X 4-1/2
8	109-5498-03	1	Baffle-Discharge	24	3230-23	2	Bolt-Carriage 5/16-18 X 3/4 Short Neck
9	116-9981	3	Kit, Anti-Scalp Roller	26	52-2860	1	Washer
10	109-6572	2	Bushing-Idler	27	9266934	4	Screw-HWH 5/16 X 1/2 Tf
11	109-6658	6	Nut-Nyloc 3/8-16 Flg	28	116-4669	1	Pulley-Idler Flat
12	109-6868	2	Bolt-Carriage 3/8-16 X 3	29	103-8415	3	Roller-Anti-Scalp
13	109-6886	1	Spring-Torsion	30	98-5975	3	Washer-Spring Disc 3/8
14	109-8854	1	Pin-Chute	31	116-8131	3	Axle, Roller
15	116-4670	1	Pulley-Idler, Flat	32	116-9362	3	Screw-HH 3/8-16 X 3 3/4 Gr 8
16	116-3455	1	Belt-B154.88				
17	116-5138	3	Cutter Housing ASM				
17:1	116-5137	1	Housing-Cutter				
17:1:2	116-4004	2	Bearing				

● Requires installation of mulch kit for proper mulching. See your Exmark dealer for details.

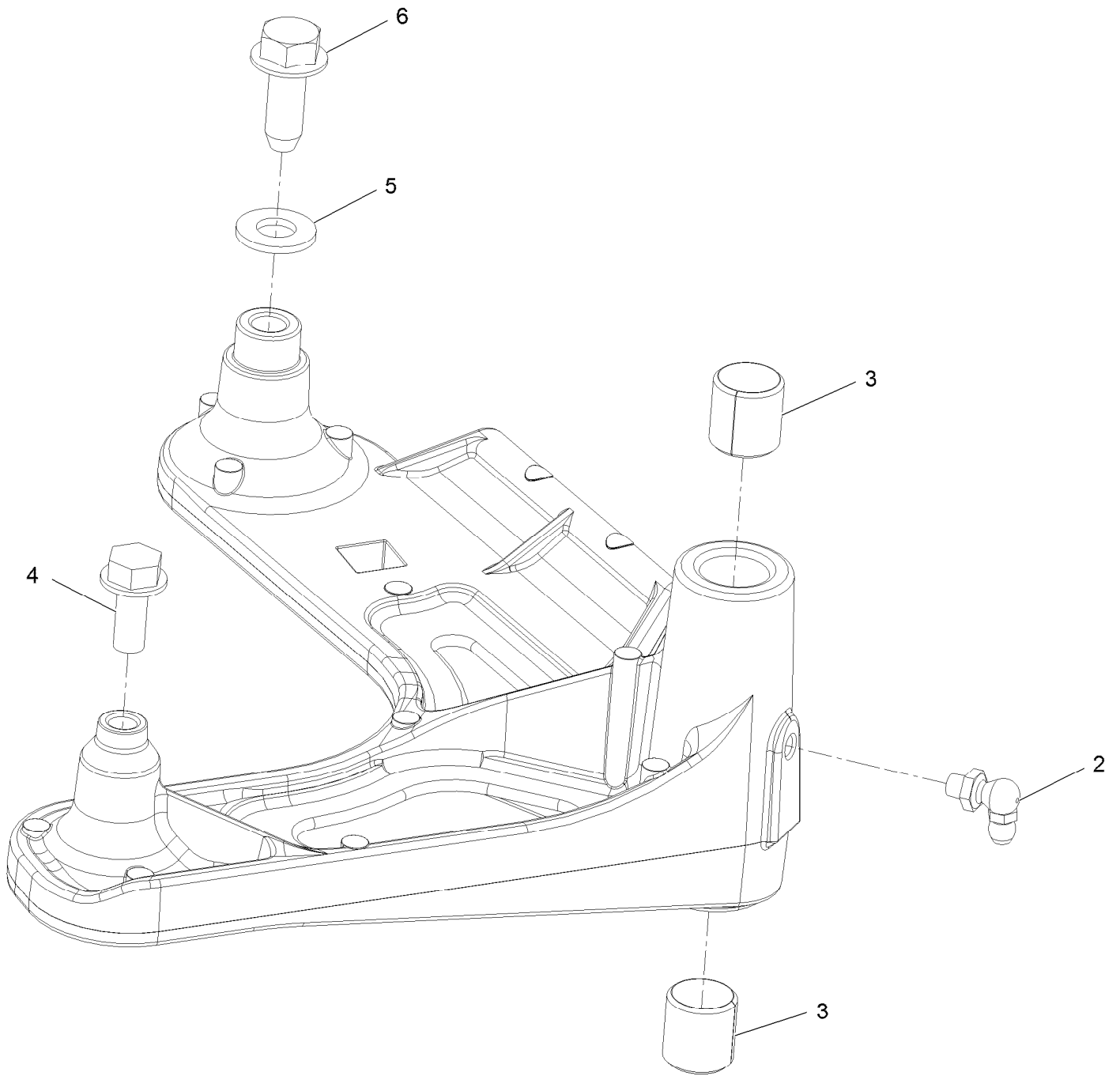
Deck W/Decals Assembly



Deck W/Decals Assembly (continued)

<i>Ref.</i>	<i>Part Number</i>	<i>Qty.</i>	<i>Description</i>	<i>Ref.</i>	<i>Part Number</i>	<i>Qty.</i>	<i>Description</i>
3	126-6464	2	Decal-Danger Thrown Objects	6	109-9159	3	Decal-Hole Cover
4	109-6035	1	Decal-Belt Routing	7	116-8283	1	Decal-Bolt Torque
5	109-6036	1	Decal-Roller, Anti-Scalp	8	126-6743	1	Decal-Ultracut 48 Series 2
				9	112-9028	2	Decal-Missing, Cover

Idler Arm W/Bearings Assembly

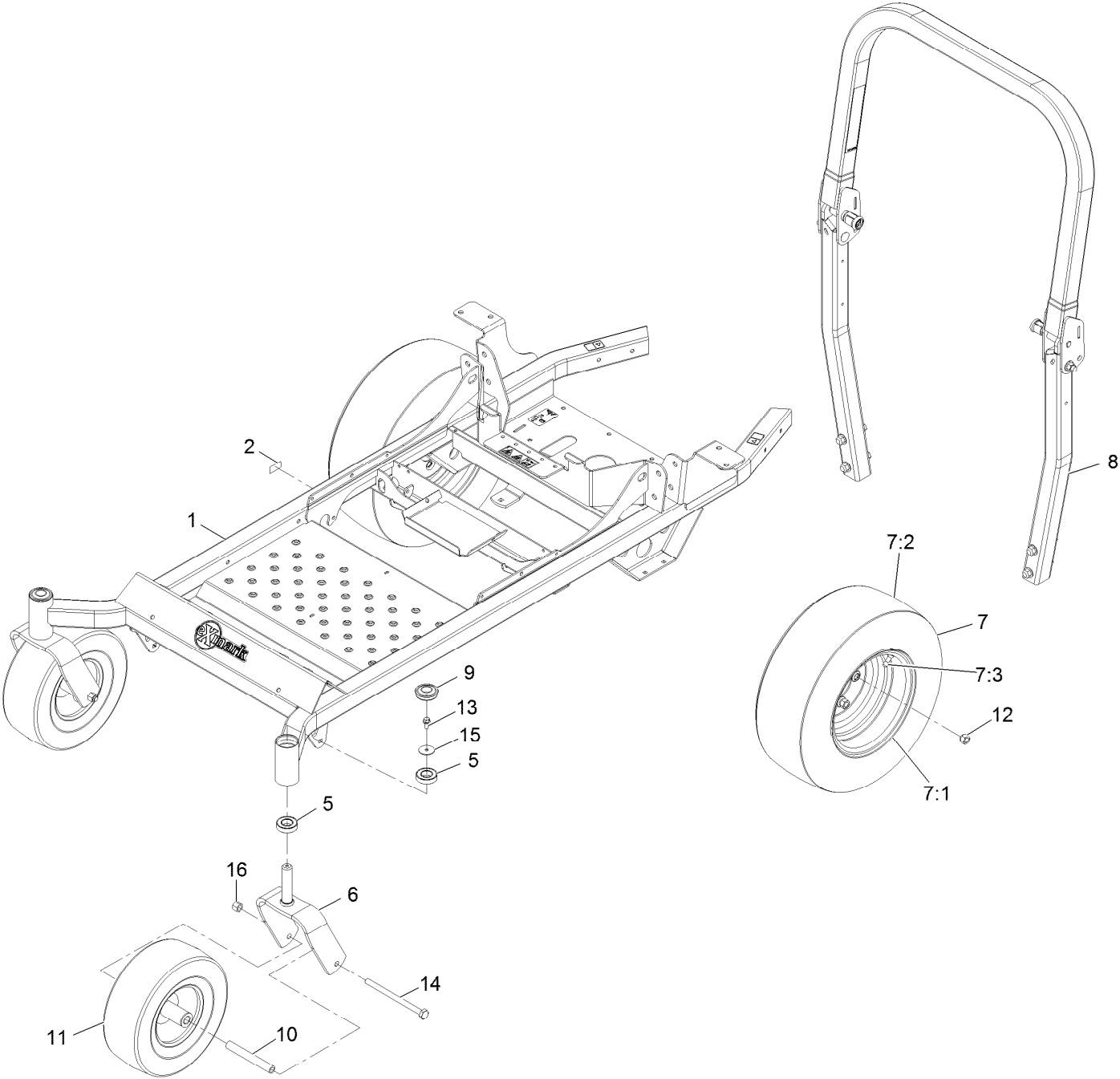


Idler Arm W/Bearings Assembly (continued)

<i>Ref.</i>	<i>Part Number</i>	<i>Qty.</i>	<i>Description</i>
2	302-40	1	Zerk-90° 1/4-28
3	1-513034	2	Sleeve-Bearing
4	32144-11	1	Screw-HWH 5/16-18 X 3/4 Tf

<i>Ref.</i>	<i>Part Number</i>	<i>Qty.</i>	<i>Description</i>
5	3256-24	1	Washer-3/8 Sae
6	126-1696	1	Screw-Thread Forming

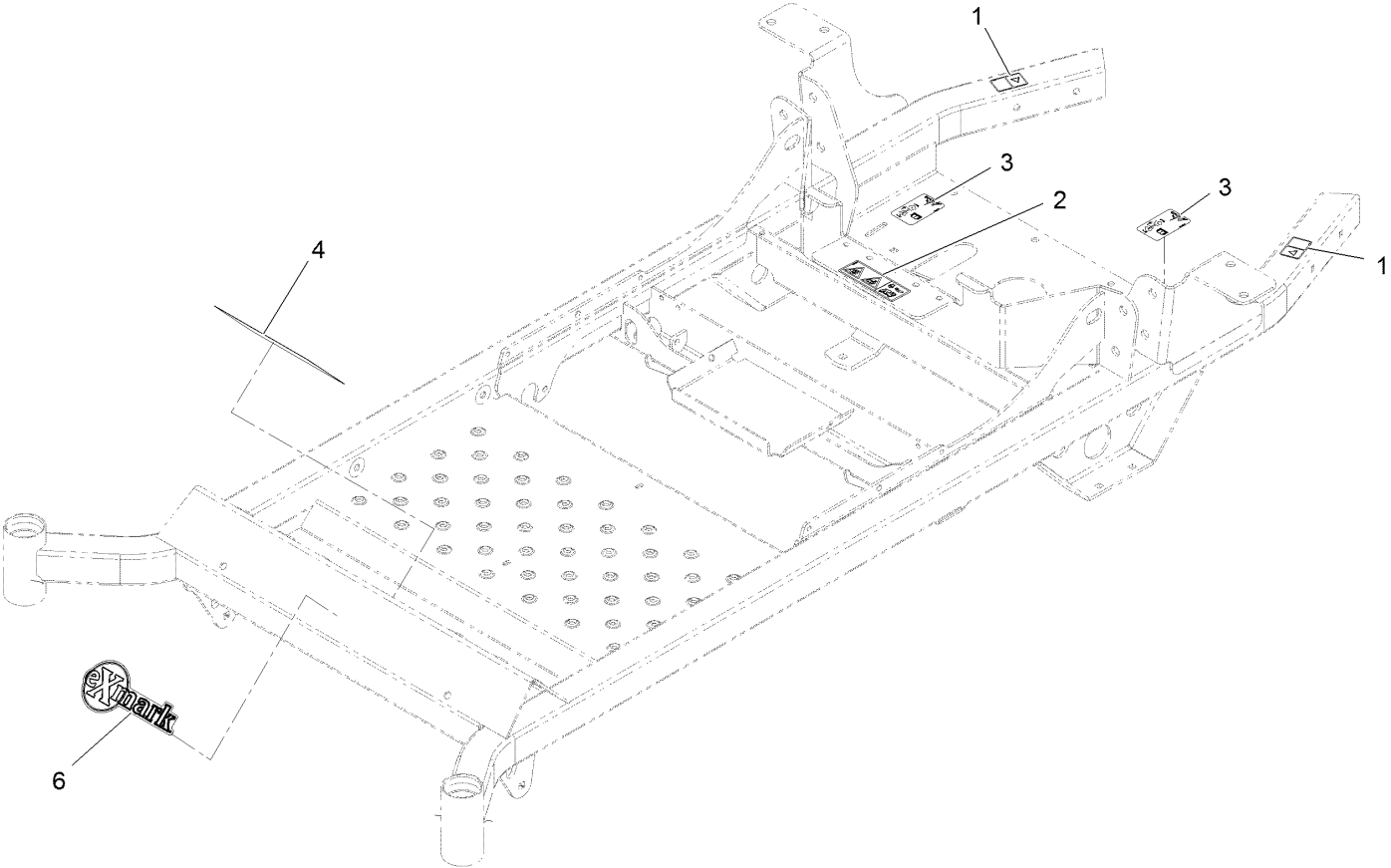
Main Frame Assembly



Main Frame Assembly (continued)

<i>Ref.</i>	<i>Part Number</i>	<i>Qty.</i>	<i>Description</i>	<i>Ref.</i>	<i>Part Number</i>	<i>Qty.</i>	<i>Description</i>
1	116-6831	1	Frame ASM-48-52	8	116-3498	1	ASM-ROPS Pioneer
2	126-4345	1	Decal-Patent Ttco.Com	9	116-4348	2	Cap-Grease
5	109-3678	4	Bearing-Ball	10	119-3475	2	Spanner
6	116-0611-01	2	Wld,Caster Fork	11	120-2251	2	Tire And Wheel ASM
7	116-7331	2	ASM-Wheel And Tire 20 X 8.00-10	12	242-50	8	Nut-Lug 1/2-20
7:1	116-7332	1	Wheel-10 X 6.00	13	3234-5	2	Screw-HH Flg 5/16-18 X 3/4
7:2	116-7333	1	Tire-20 8.00-10	14	325-36	2	Screw-HH 1/2-13 X 7 1/2
7:3	232-27	1	Stem-Valve	15	3256-68	2	Washer-Flat
				16	3296-23	2	Nut-Nyloc 1/2-13

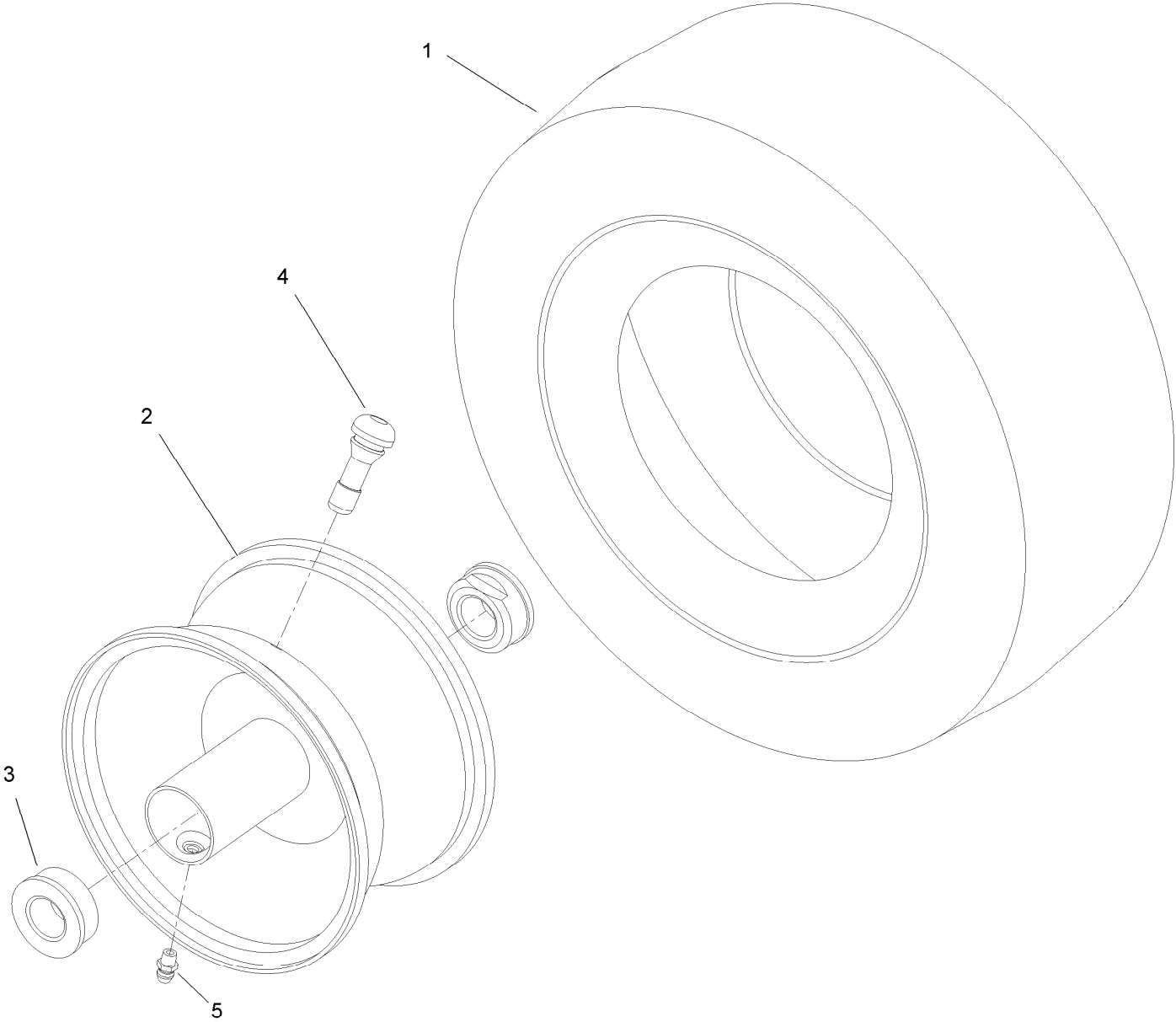
Main Frame W/Decals Assembly



Main Frame W/Decals Assembly (continued)

<i>Ref.</i>	<i>Part Number</i>	<i>Qty.</i>	<i>Description</i>	<i>Ref.</i>	<i>Part Number</i>	<i>Qty.</i>	<i>Description</i>
1	106-5517	2	Decal-Warning, Hot Surface	3	116-8588	2	Decal-Drive Release
2	126-4363	1	Decal-Warning Rotating Devices	4	132-0871	1	Decal-Danger
				6	126-6598	1	Decal, Exmark Logo

Caster Wheel Assembly No. 120-2251

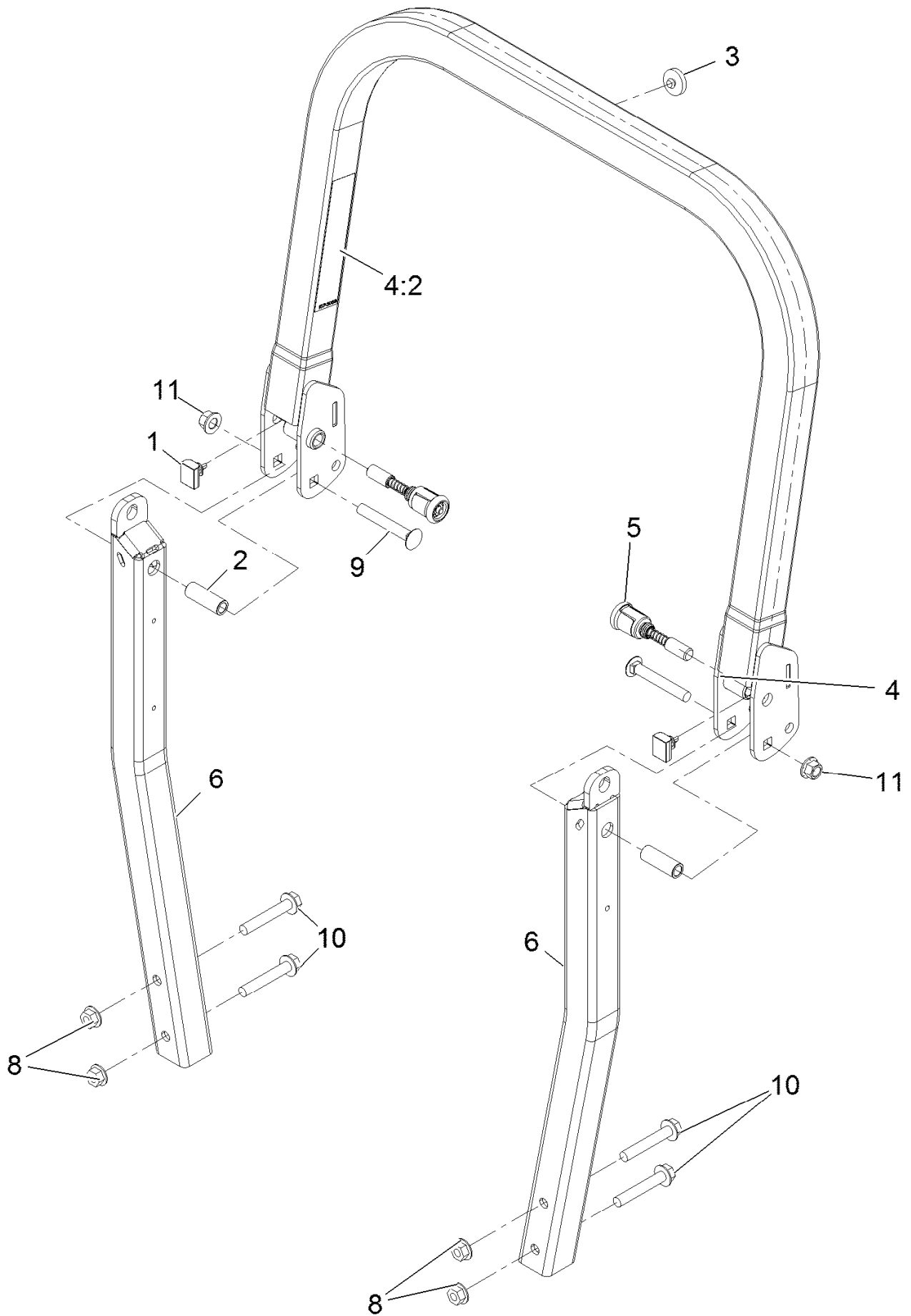


Caster Wheel Asembly No. 120-2251 (continued)

<i>Ref.</i>	<i>Part Number</i>	<i>Qty.</i>	<i>Description</i>	<i>Ref.</i>	<i>Part Number</i>	<i>Qty.</i>	<i>Description</i>
1	120-2252	1	Tire-13 Inch Smooth	4	232-27	1	Stem-Valve
2		1	Rim-6 Inch ●	5	302-5	1	Fitting-Grease
3	114-1640	2	Bushing-Flange				

● Not serviced separately

Roll-Over Protection System Assembly No. 116-3498

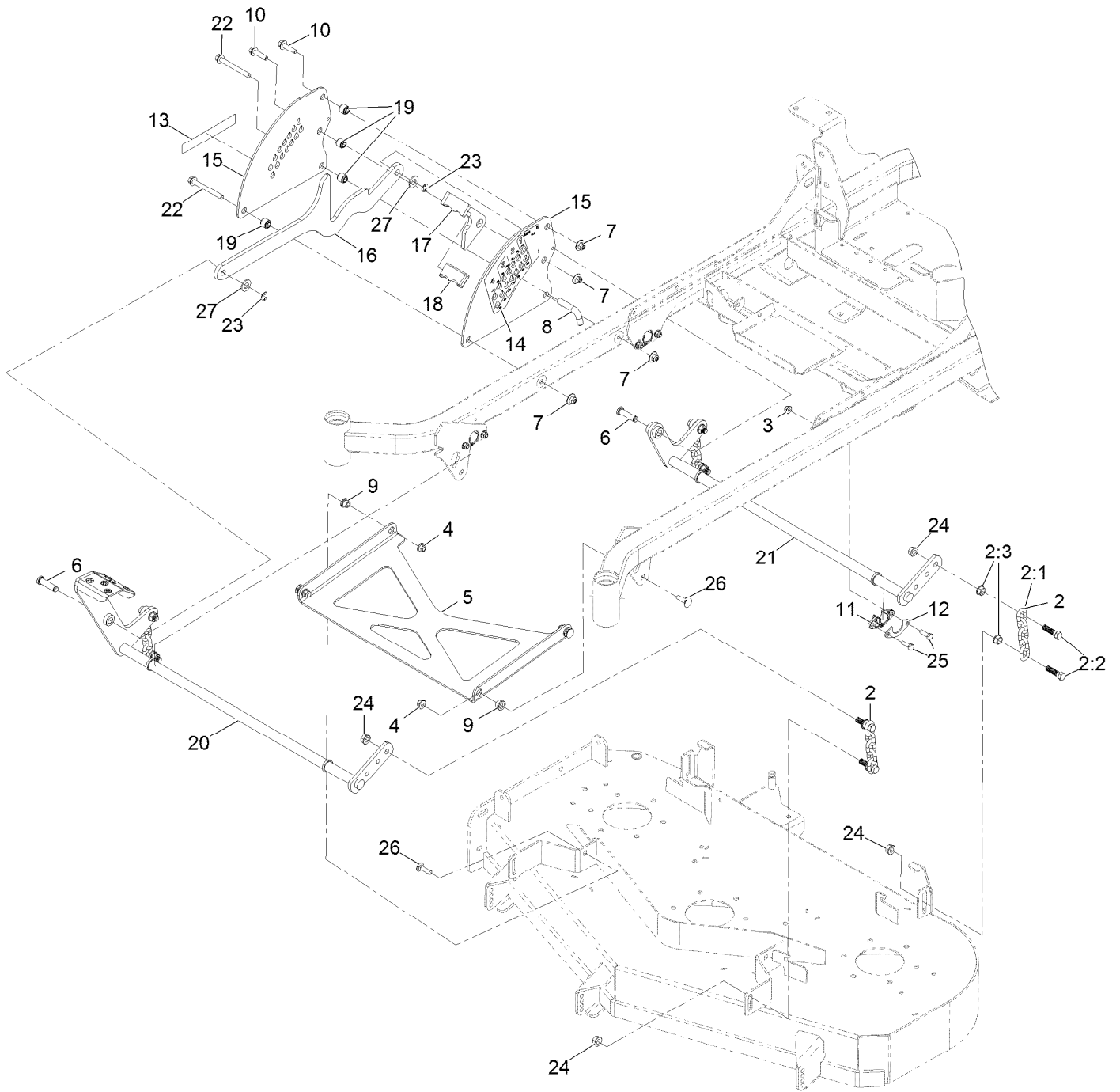


Roll-Over Protection System Assembly No. 116-3498 (continued)

<i>Ref.</i>	<i>Part Number</i>	<i>Qty.</i>	<i>Description</i>	<i>Ref.</i>	<i>Part Number</i>	<i>Qty.</i>	<i>Description</i>
1	109-5337	2	Bumper-ROPS	5	116-0104	2	Pin-Spring
2	109-6653	2	Spacer	6		2	ASM-Lwr ROPS Leg ●
3	109-9233	1	Bumper-Push-In, Rubber	8	32128-49	4	Nut-Whizlock 1/2-13
4	116-0019	1	Upper ROPS ASM	9	3233-10	2	Bolt-Carriage 1/2-13 X 3 1/2
4:2	107-3069	1	Decal-Warning, Folding ROPS	10	3234-40	4	Screw-HF
				11	99-5107	2	Nut-Lock 1/2-13

● Not serviced separately

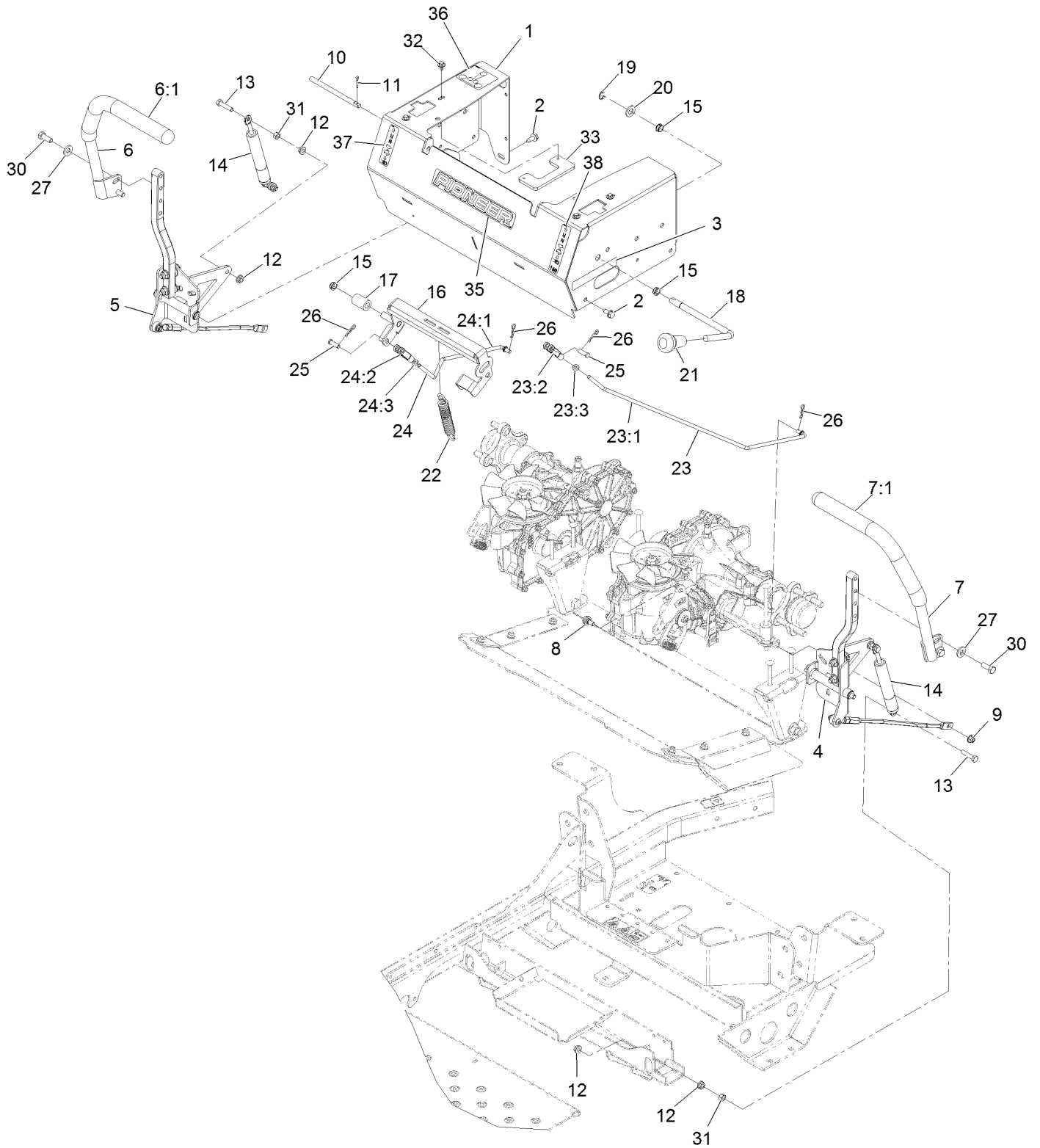
Deck Lift Assembly



Deck Lift Assembly (continued)

<i>Ref.</i>	<i>Part Number</i>	<i>Qty.</i>	<i>Description</i>	<i>Ref.</i>	<i>Part Number</i>	<i>Qty.</i>	<i>Description</i>
2	103-9817	4	Deck Chain ASM	13	126-6997	1	Decal-E-Series
2:1	1-633447	1	Chain-Lift, Deck	14	126-4383	1	Decal-Height Of Cut
2:2	103-1898	2	Screw-HH 7/16-20 X 1-5/8 Sp	15	116-4309-03	2	Plate,Deck Lift
2:3	32128-37	2	Nut-Whizlock 7/16-14	16	116-4310-03	1	Link-HOC
3	104-8300	8	Nut-Nyloc 5/16-18 Flg	17	116-4311	1	Transport Lock-HOC
4	104-8301	4	Nut-Nyloc 3/8-16 Flg	18	116-4312	1	Grip-Bar, Flat
5	109-3723-01	1	Strut-Deck	19	116-4313	4	Spacer-Step, Double
6	109-5819	2	Pin-Clevis	20	116-6011-03	1	Wld-Deck Lift Shaft Frt
7	109-6658	4	Nut-Nyloc 3/8-16 Flg	21	116-6012-03	1	Wld-Deck Lift Shaft Rr
8	116-5584	1	Pin-HOC	22	116-4701	2	Screw-HHF
9	109-8788	4	Bushing-Flanged	23	32120-47	2	Ring-Retaining
10	114-4681	2	Screw-HHF	24	32128-37	8	Nut-Whizlock 7/16-14
11	115-5065	4	Bushing-Flange	25	322-5	8	Screw-HH 5/16-18 X 1
12	116-2887	4	Gusset-Lift, Deck	26	3231-25	4	Bolt-Carriage 3/8-16 X 1 1/4
				27	3256-26	2	Washer-1/2 Sae

Motion Control Assembly

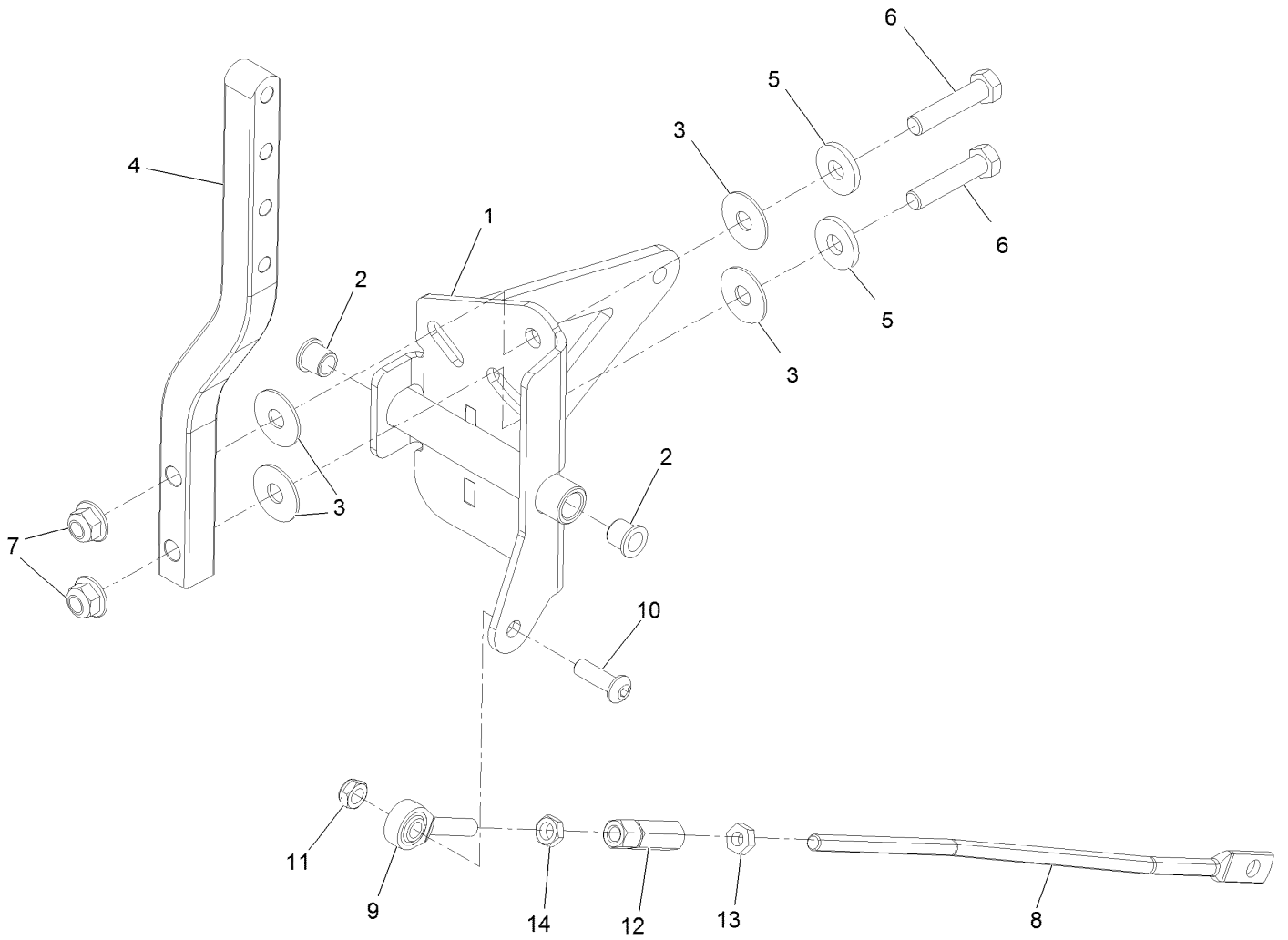


Motion Control Assembly (continued)

<i>Ref.</i>	<i>Part Number</i>	<i>Qty.</i>	<i>Description</i>	<i>Ref.</i>	<i>Part Number</i>	<i>Qty.</i>	<i>Description</i>
1	116-3188	1	ASM-Mot Ctrl Frm W/Dcl	20	106-9888	1	Washer-Flat
2	32144-70	6	Screw-HWH 5/16-18 X 3/4 Tf	21	106-7952	1	Knob
3	126-6997	1	Decal-E-Series	22	88-6130	1	Spring-Deck, Engagement
4		1	Motion Control ASM-LH ●	23	116-1165	1	Brake Linkage ASM-LH
5		1	Motion Control ASM-RH ●	23:1	116-1167	1	Linkage,Brake LH
6	119-3486	1	RH Handle ASM	23:2	1-303105	1	Yoke-Adjustable
6:1	108-6187	1	Grip	23:3	3220-2	1	Nut-Jam 5/16-24
7	119-3485	1	LH Handle ASM	24	116-1166	1	Brake Linkage ASM-RH
7:1	108-6187	1	Grip	24:1	116-1168	1	Linkage-Brake, RH
8	37-8771	2	Screw-Shoulder 5/16-18 X 5/8	24:2	1-303105	1	Yoke-Adjustable
9	104-8300	2	Nut-Nyloc 5/16-18 Flg	24:3	3220-2	1	Nut-Jam 5/16-24
10	109-3705	2	Pin-Control Pivot	25	1-808280	2	Pin-Clevis 5/16 X 1 49/64
11	3272-10	2	Pin-Cotter 1/8 X 3/4	26	1-806003	4	Hairpin-Cotter
12	32128-20	8	Nut-Whizlock 5/16-18	27	98-5975	4	Washer-Spring Disc 3/8
13	1-403180	4	Screw-HH 5/16-18 X 1 3/8 Special	30	323-6	4	Screw-HH 3/8-16 X 1
14	109-5957	2	Damper-Motion Control	31	3217-6	4	Nut-Hex 5/16-18
15	116-1393	3	Bushing,Snap	32	46-8560	4	Screw-HHF 1/4-20 X 1/2
16	116-6233	1	Wld-Brake Center Arm	33	109-6214	2	Stop-Motion Control
17	109-5010	1	Spacer	35	126-6754	1	Decal-Pioneer Logo
18	116-3155	1	Handle,Brake	36	109-6014	1	Decal-Belt Routing
19	32120-47	1	Ring-Retaining	37	99-8936	1	Decal-Control, Motion
				38	126-6753	1	Decal-Motion Control,Parkbrake

● Not serviced separately

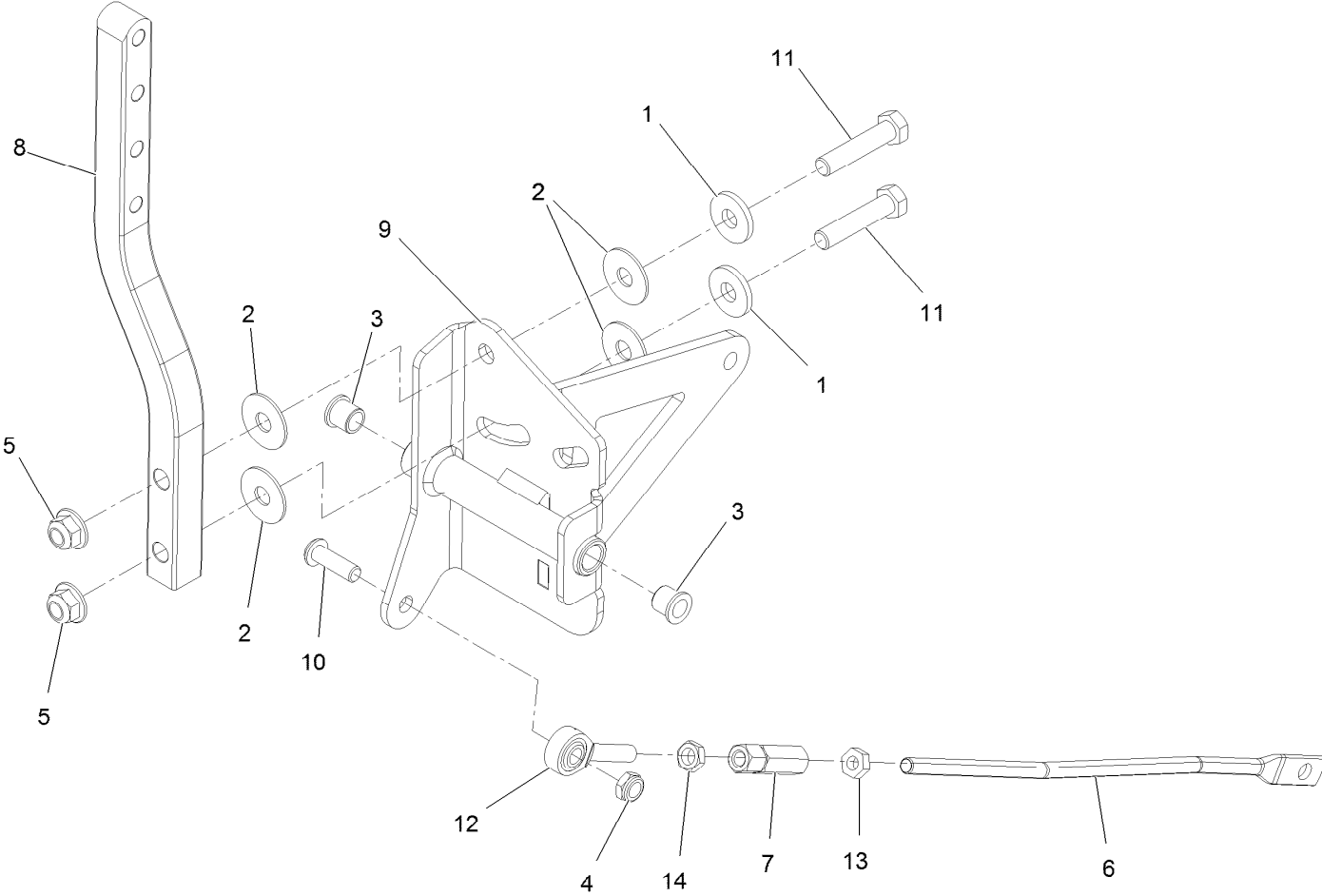
LH Motion Control Assembly



LH Motion Control Assembly (continued)

<i>Ref.</i>	<i>Part Number</i>	<i>Qty.</i>	<i>Description</i>	<i>Ref.</i>	<i>Part Number</i>	<i>Qty.</i>	<i>Description</i>
1	126-3710	1	LH Control Pivot ASM	9	2411-53	1	Balljoint LH
2	103-9928	2	Bearing	10	3274-104	1	Screw-Button Head 5/16-18 X 1
3	52-2900	4	Washer-Plastic	11	3296-47	1	Nut-Nyloc 5/16-18 Thin
4	116-3183	1	Arm-Motion Control	12	109-3728	1	Nut-Rod Adjustment
5	5-0838	2	Washer	13	3220-2	1	Nut-Jam 5/16-24
6	323-9	2	Screw-HH 3/8-16 X 1 3/4	14	3220-20	1	Nut-Jam 5/16-24 LH
7	104-8301	2	Nut-Nyloc 3/8-16 Flg				
8	116-2543	1	Link,Motion Control				

RH Motion Control Assembly



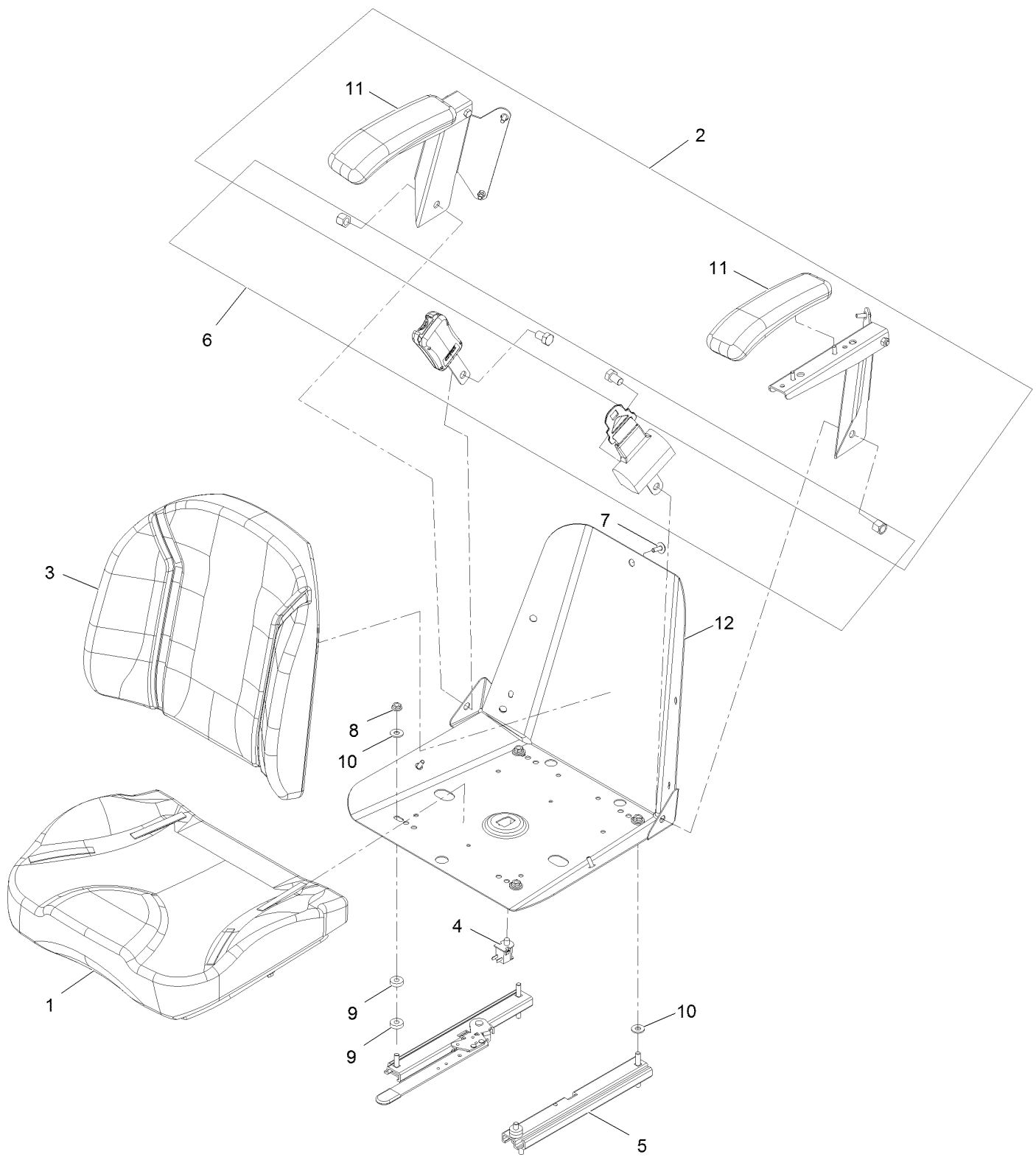
RH Motion Control Assembly (continued)

<i>Ref.</i>	<i>Part Number</i>	<i>Qty.</i>	<i>Description</i>	<i>Ref.</i>	<i>Part Number</i>	<i>Qty.</i>	<i>Description</i>
1	5-0838	2	Washer	9	126-3707	1	RH Control Pivot ASM
2	52-2900	4	Washer-Plastic	10	3274-104	1	Screw-Button Head 5/16-18 X 1
3	103-9928	2	Bearing	11	323-9	2	Screw-HH 3/8-16 X 1 3/4
4	3296-47	1	Nut-Nyloc 5/16-18 Thin	12	2411-53	1	Balljoint LH
5	104-8301	2	Nut-Nyloc 3/8-16 Flg	13	3220-2	1	Nut-Jam 5/16-24
6	116-2543	1	Link,Motion Control	14	3220-20	1	Nut-Jam 5/16-24 LH
7	109-3728	1	Nut-Rod Adjustment				
8	116-3183	1	Arm-Motion Control				

Seat Assembly (continued)

<i>Ref.</i>	<i>Part Number</i>	<i>Qty.</i>	<i>Description</i>	<i>Ref.</i>	<i>Part Number</i>	<i>Qty.</i>	<i>Description</i>
1	126-6877	1	Decal, Exmark Logo	11	116-4418	1	Plate, Seat W/Decals
2	103-9376	2	Bumper-Seat	11:2	109-6016	1	Decal-Service Aid
3	104-7201	2	Nut-Nyloc 1/4-20 Flg	12	321-8	1	Screw-HH 1/4-20 X 1 1/4
4	104-8300	10	Nut-Nyloc 5/16-18 Flg	13	3229-2	1	Bolt-Carriage 1/4-20 X 1
5	107-3017	1	Spring-Compression	14	3230-4	1	Bolt-Carriage 5/16-18 X 1 1/2
6	109-2628	1	Cable-Stop, Seat	15	3234-29	3	Screw-HH Flg 5/16-18 X 1
7	116-0871	1	Catch,Seat Latch	16	3256-23	1	Washer-5/16 Sae
8	116-1297	2	Screw-Shoulder	17	92-7054	3	Spring-Compression
9	116-3121	1	ASM-Seat Latch	18	32128-33	2	Nut-Whizlock 1/4-20
9:2	116-3120	1	Strip-Poly Wear				
10	126-6728	1	ASM-Seat,Pioneer				

Seat W/Tracks Assembly No. 126-6728

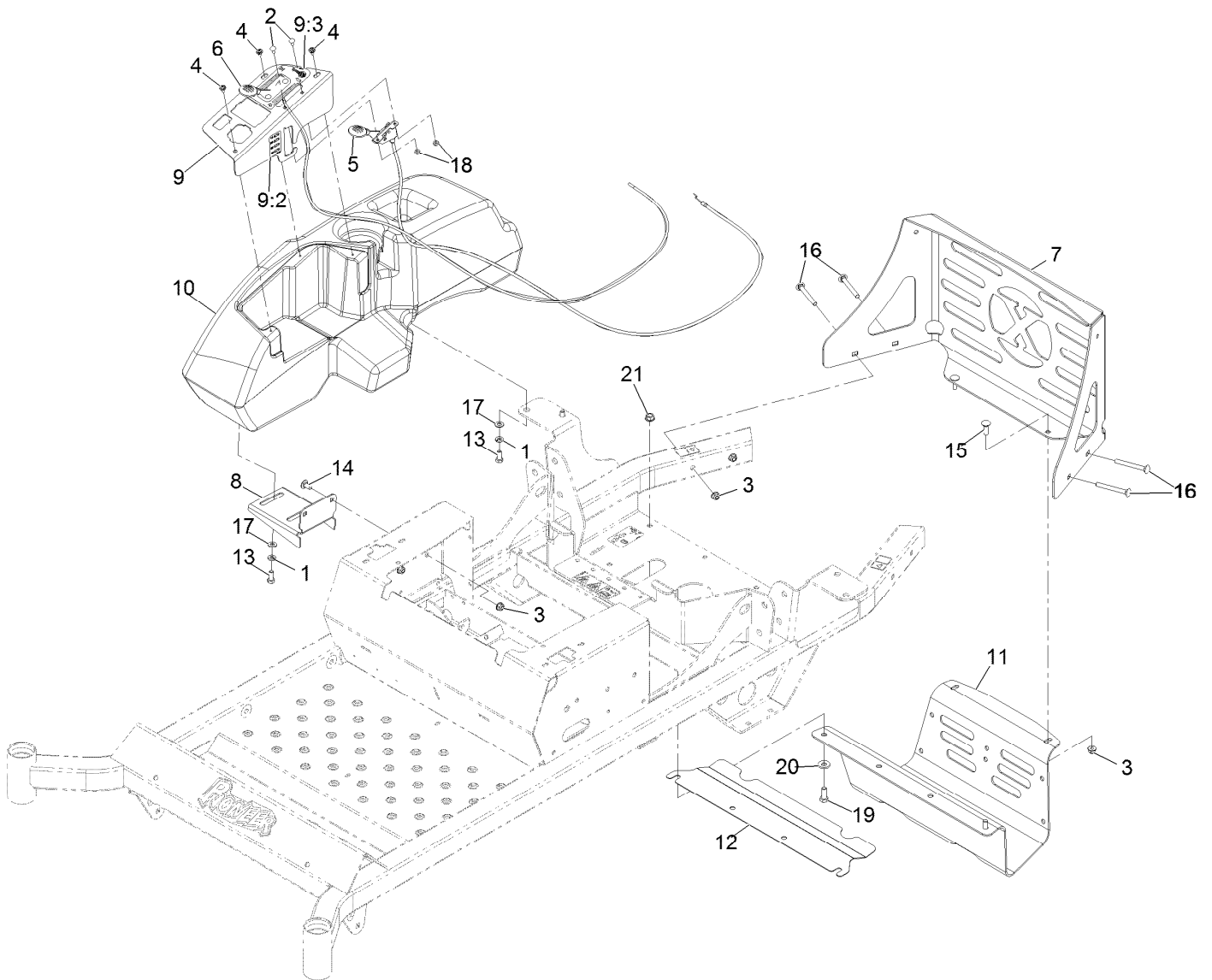


Seat W/Tracks Assembly No. 126-6728 (continued)

<i>Ref.</i>	<i>Part Number</i>	<i>Qty.</i>	<i>Description</i>
1	126-6686	1	Cushion-Seat Bottom
2	110-5719	1	Armrest Kit
3	131-4150	1	Cushion-Seat, Back
4	82-2190	1	Switch
5	1-643255	1	Track-Seat
6	116-2981	1	Seat Belt Kit
7	103-8383	7	Screw-HWH 1/4-20 X 3/4 Taptite

<i>Ref.</i>	<i>Part Number</i>	<i>Qty.</i>	<i>Description</i>
8	32128-20	4	Nut-Whizlock 5/16-18
9	26-4840	4	Spacer-Pin, Mounting
10	3256-3	6	Washer-5/16 Std
11	110-4163	2	Cushion-Rest, Arm
12	116-7496	1	Frame-Seat

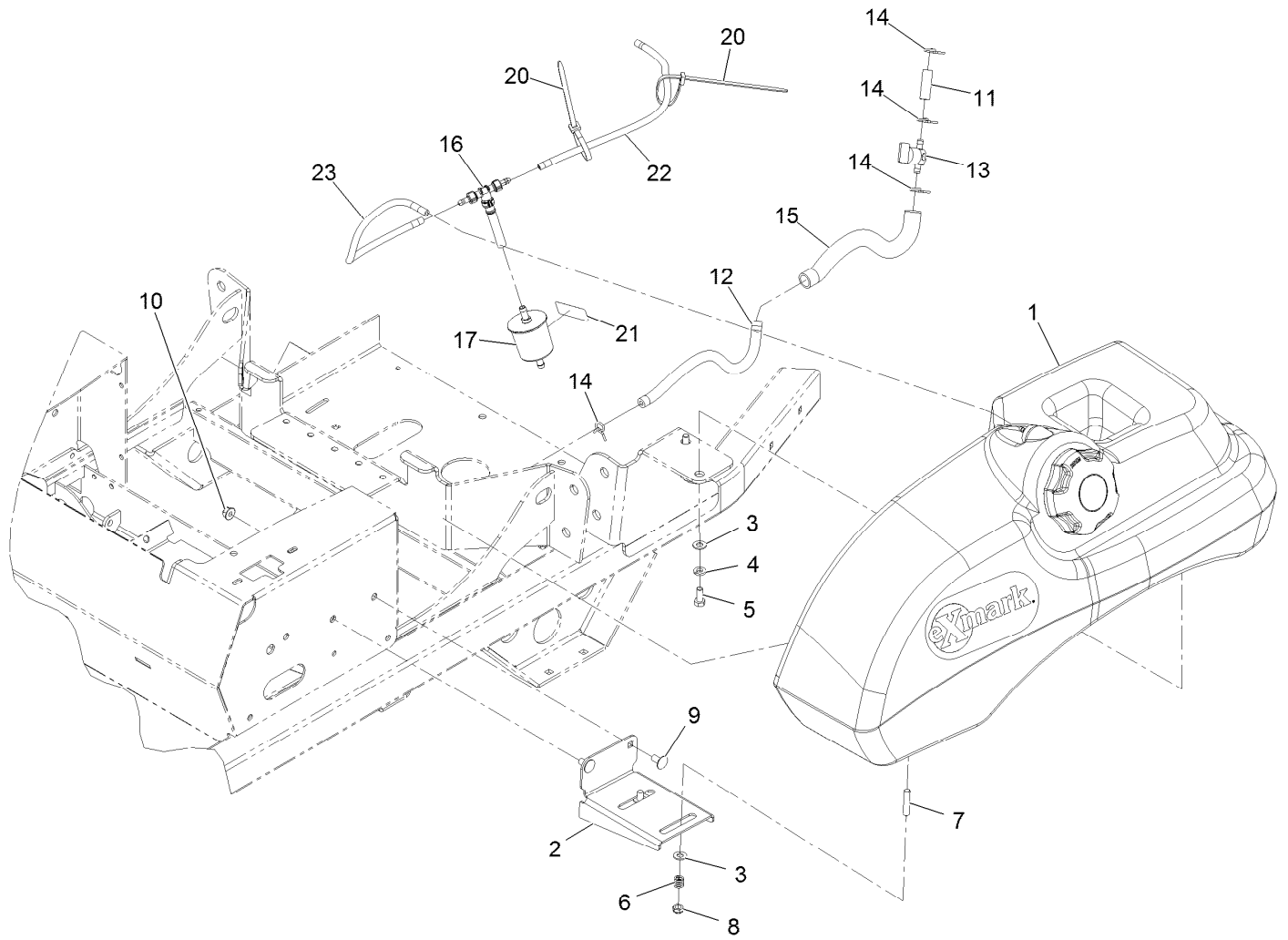
Controls Assembly



Controls Assembly (continued)

<i>Ref.</i>	<i>Part Number</i>	<i>Qty.</i>	<i>Description</i>	<i>Ref.</i>	<i>Part Number</i>	<i>Qty.</i>	<i>Description</i>
1	1-805005	4	Washer-Lock 5/16 Heavy	11	126-4275-03	1	Guard, Muffler
2	1-807513	4	Bolt-Carriage #10-24 X 1/2	12	126-0456-03	1	Shield, Heat
3	104-8300	8	Nut-Nyloc 5/16-18 Flg	13	322-3	4	Screw-HH 5/16-18 X 3/4
4	109-2661	3	Screw-PPH #10-24 X 1/2	14	3230-18	2	Bolt-Carriage 5/16-18 X 5/8
5	116-4919	1	Control,Throttle	15	3230-2	2	Bolt-Carriage 5/16-18 X 1
6	109-8747	1	Control,Choke	16	3230-9	4	Bolt-Carriage 5/16-18 X 2 3/4
7	116-3453-03	1	Panel,Rear Guard	17	3256-23	4	Washer-5/16 Sae
8	116-3495-03	1	Bracket-Tank And Fender	18	3296-2	4	Nut-Nyloc #10-24
9	116-3496	1	ASM,Control Panel W/Decal	19	323-6	2	Screw-HH 3/8-16 X 1
9:2	116-1496	1	Decal,Fuse Block	20	98-5975	2	Washer-Spring Disc 3/8
9:3	116-4465	1	Decal-Throttle Choke	21	3290-357	2	Nut-Whizlock 3/8-16
10	116-4138	1	Console,RH				

Fuel Tank Assembly

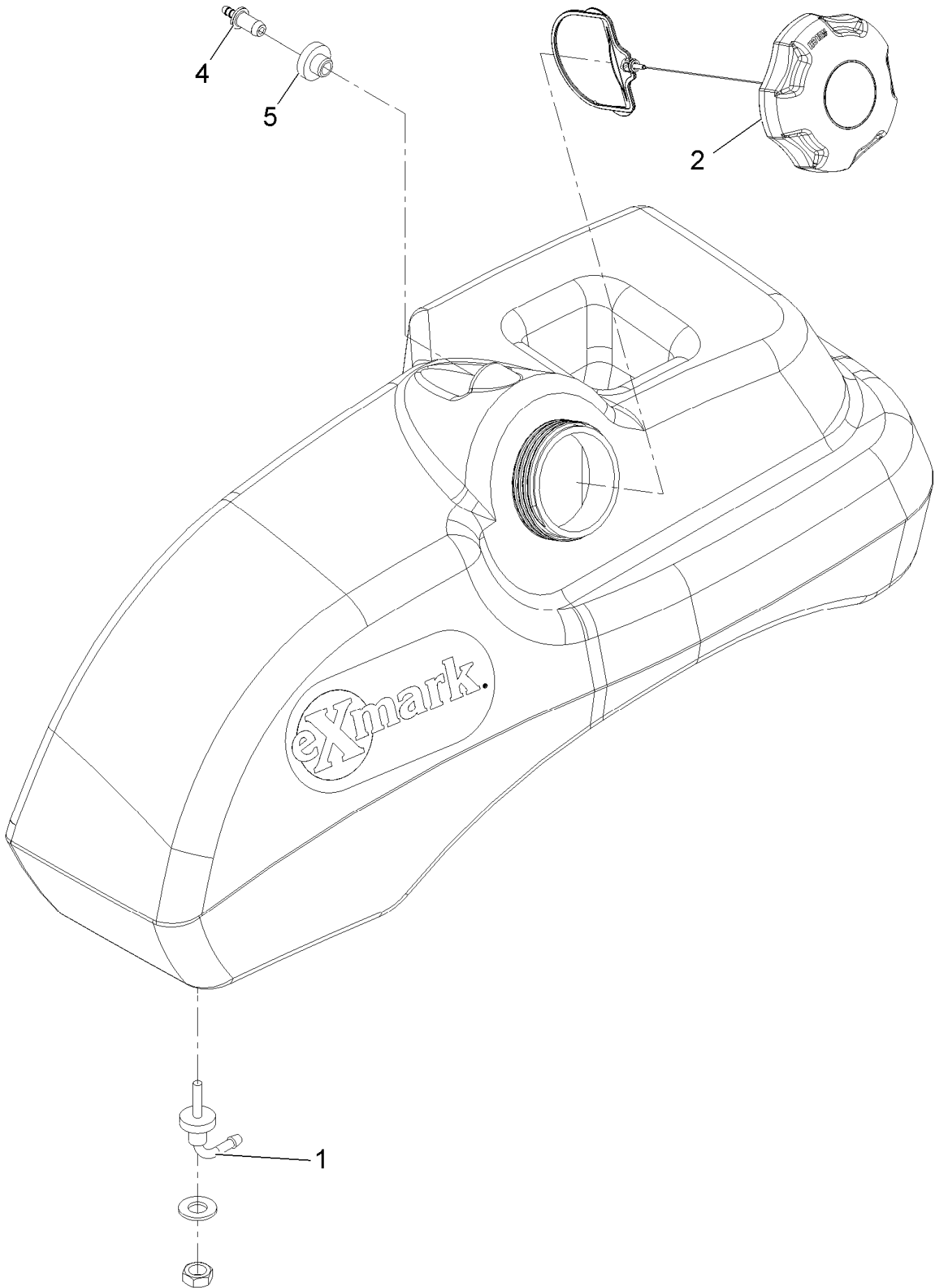


Fuel Tank Assembly (continued)

<i>Ref.</i>	<i>Part Number</i>	<i>Qty.</i>	<i>Description</i>	<i>Ref.</i>	<i>Part Number</i>	<i>Qty.</i>	<i>Description</i>
1	116-4610	1	ASM-Fuel Tank	12	109-0282	1	Hose-Fuel
2	116-3495-03	1	Bracket-Tank And Fender	13	1-603770	1	Valve-Fuel
3	3256-23	4	Washer-5/16 Sae	14	1-303077	4	Clamp-Fuel Line
4	1-805005	2	Washer-Lock 5/16 Heavy	15	116-4515	1	Conduit-Fuel Line
5	322-3	2	Screw-HH 5/16-18 X 3/4	16	116-5464	1	Tee And Check
6	1-633349	2	Spring-Compression	17	120-2235	1	Filter-Fuel
7	1-633023	2	Stud-Fuel Tank ●	20	1-303335	2	Tie-Cable 7 15/16 (Large)
8	3296-47	2	Nut-Nyloc 5/16-18 Thin	21	116-4769	1	Decal-Filter, Emissions
9	3230-18	2	Bolt-Carriage 5/16-18 X 5/8	22	116-4800	1	Hose,Emissions
10	104-8300	2	Nut-Nyloc 5/16-18 Flg	23	116-4801	1	Hose,Emissions
11	106-9492	1	Hose-Fuel				

● Use Pro-Lock, Nut Type (P/N 1-840022, .5ml tube) on threads.

Fuel Tank Assembly No. 116-4610

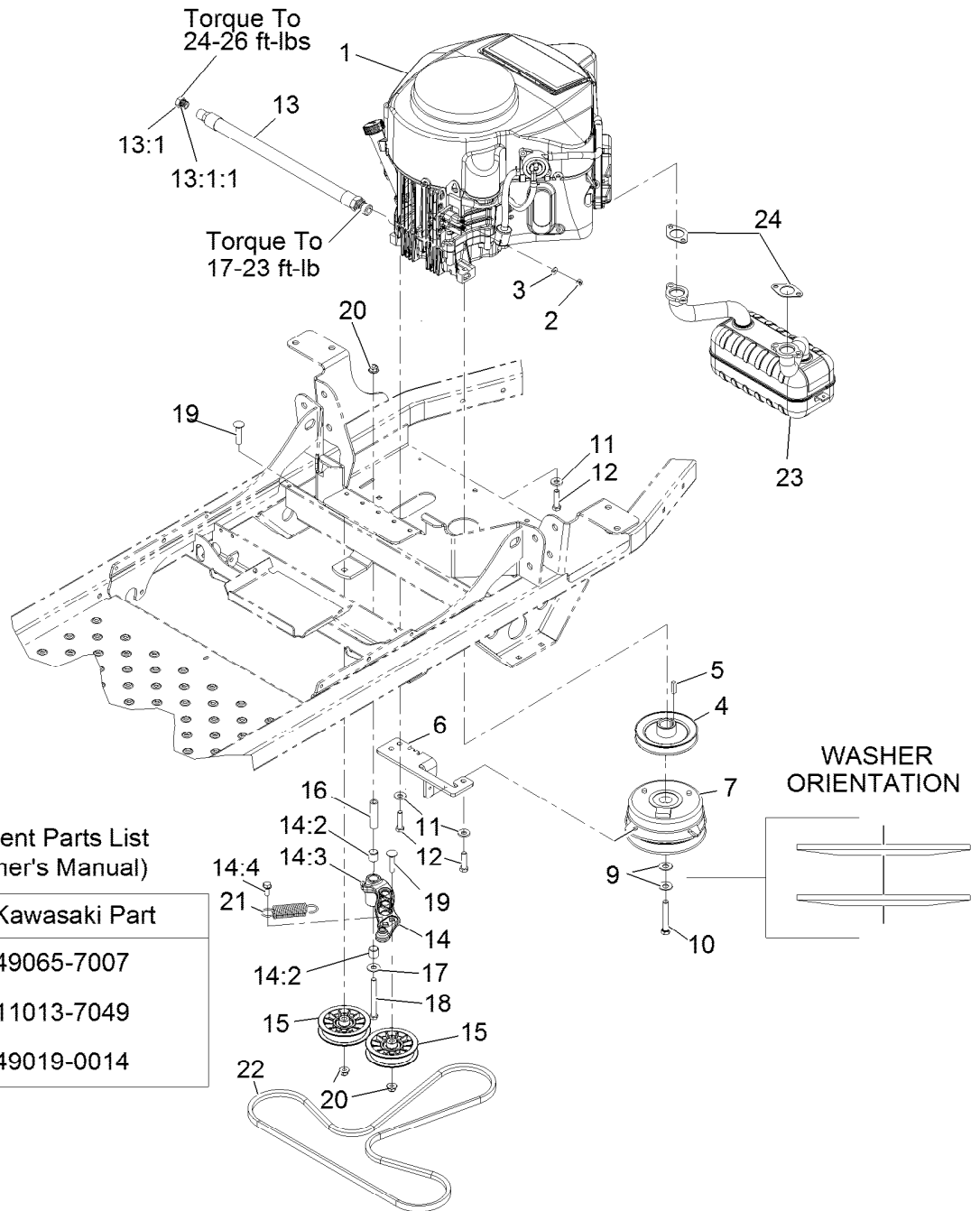


Fuel Tank Assembly No. 116-4610 (continued)

<i>Ref.</i>	<i>Part Number</i>	<i>Qty.</i>	<i>Description</i>	<i>Ref.</i>	<i>Part Number</i>	<i>Qty.</i>	<i>Description</i>
1	103-2605	1	Fitting-Fuel Bulkhead W/Strainer ●	4	116-4630	1	Fitting-Straight Orifice
2	120-5461	1	Cap-Fuel, Ratcheting	5	46-6560	1	Bushing

● Use Pro-Lock, Nut Type (P/N 1-840022, .5ml tube) on threads.

Engine Assembly



Kawasaki Replacement Parts List (Refer To Engine Owner's Manual)

Description	Kawasaki Part
Engine Oil Filter	49065-7007
Engine Air Filter	11013-7049
Fuel Filter	49019-0014

Engine Assembly (continued)

<i>Ref.</i>	<i>Part Number</i>	<i>Qty.</i>	<i>Description</i>	<i>Ref.</i>	<i>Part Number</i>	<i>Qty.</i>	<i>Description</i>
1		1	Engine-Kawasaki ●■	14	126-0973	1	ASM-Idler Arm W/Bearings
2	3217-5	1	Nut-Hex 1/4-20	14:2	1-513034	2	Sleeve-Bearing
3	3256-22	1	Washer-1/4 Sae	14:3	302-40	1	Zerk-90° 1/4-28
4	109-3386	1	Sheave-Split Steel	14:4	32144-11	1	Screw-HWH 5/16-18 X 3/4 Tf
5	1-807259	1	Key-Machine 1/4 X 1/4 X 1	15	116-2456	2	Pulley-Flat, 3.50 Dia
6	116-4773-03	1	Anchor-Clutch	16	1-603384	1	Bushing-Pivot, Idler
7	116-5059	1	Clutch, 125Ftlb 1.0 B	17	3256-4	1	Washer-3/8 Std
9	1-603610	2	Washer-Spring Disc 7/16	18	323-15	1	Screw-HH 3/8-16 X 3 1/2
10	116-1066	1	Screw-HH 7/16-20 X 2 3/4 W/Loctite ◆	19	3231-5	2	Bolt-Carriage 3/8-16 X 1 3/4
11	98-5975	4	Washer-Spring Disc 3/8	20	104-8301	3	Nut-Nyloc 3/8-16 Flg
12	323-8	4	Screw-HH 3/8-16 X 1 1/2	21	1-603402	1	Spring-Extension
13	116-4924	1	Asm-Hose Oil Drain W/Plug ▲	22	115-9613	1	V-Belt
13:1	353-508	1	Plug-W/O-Ring	23	117-7256	1	Muffler-Kawasaki
13:1:1	237-42	1	O-Ring	24	1-653313	2	Gasket-Exhaust

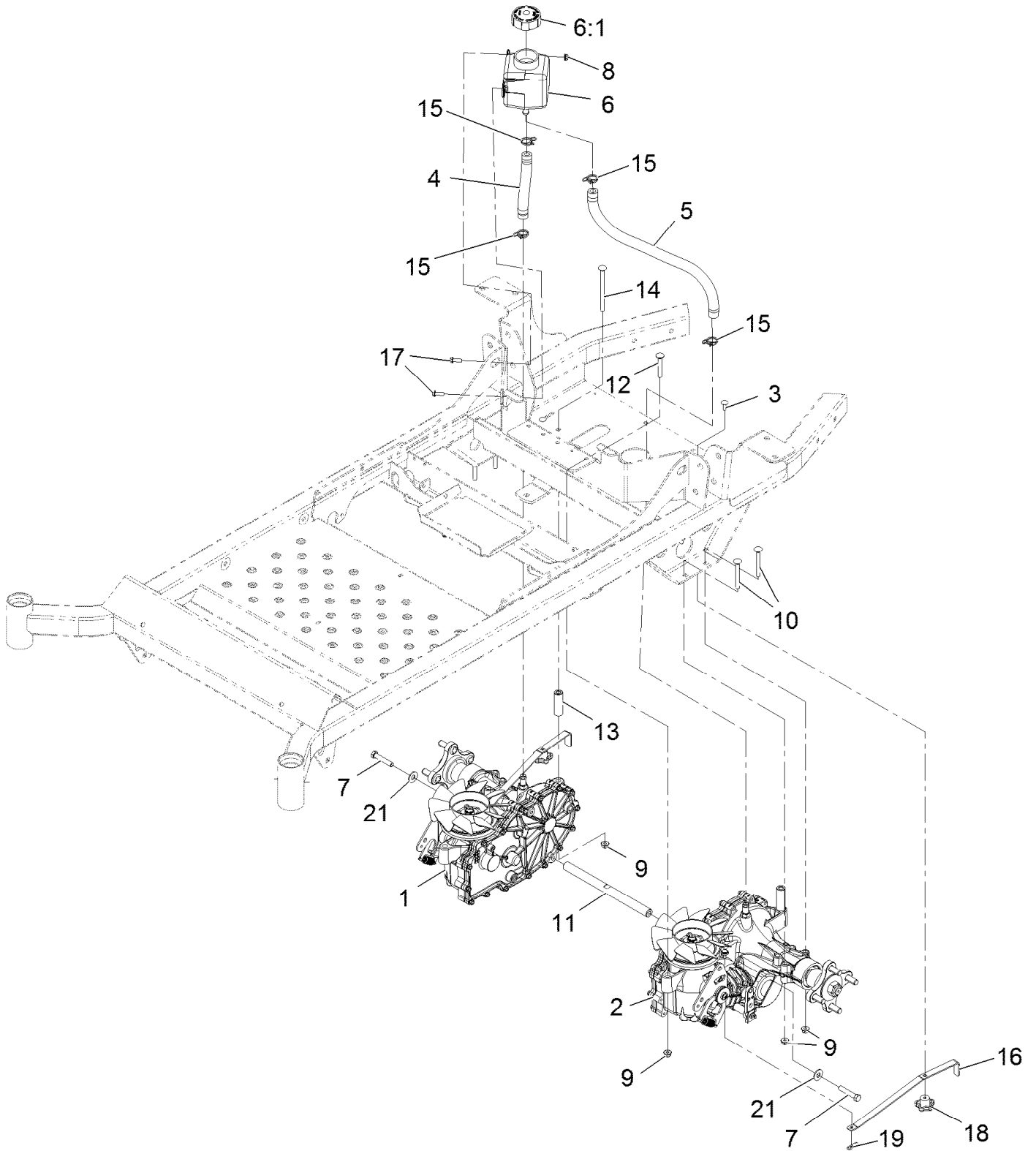
● Not serviced separately

▲ Use a Teflon Pipe Sealant or equivalent on threads.

◆ Use Pro-Lock, Nut Type (P/N 1-840022, .5ml tube) on threads.

■ Obtain parts from www.kawpowerepc.com

Hydraulic Assembly

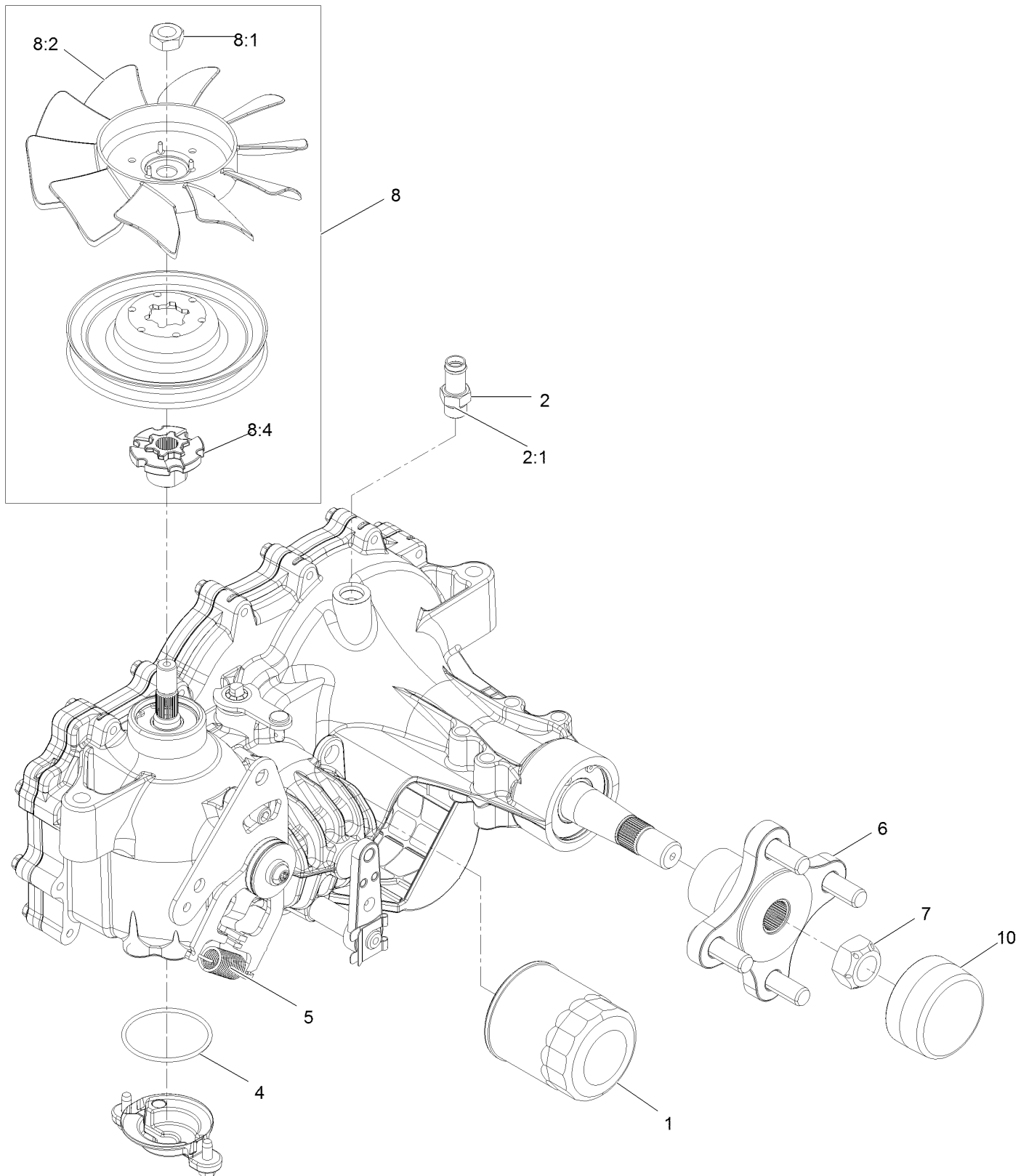


Hydraulic Assembly (continued)

<i>Ref.</i>	<i>Part Number</i>	<i>Qty.</i>	<i>Description</i>	<i>Ref.</i>	<i>Part Number</i>	<i>Qty.</i>	<i>Description</i>
1	116-4544	1	Transaxle ASM	11	116-6833	1	Shaft-Spacer
2	116-4545	1	Transaxle ASM	12	3230-7	2	Bolt-Carriage 5/16-18 X 2 1/4
3	3229-1	2	Bolt-Carriage 1/4-20 X 3/4	13	116-5809	2	Spacer-Hydro
4	116-5641	1	Hose-Hydraulic	14	3230-30	2	Bolt-Carriage 5/16-18 X 4 1/2
5	116-5642	1	Hose-Hydraulic	15	126-0327	4	Clamp-Hose
6	109-2250	1	Vent-Tank, HYD	16	109-5395	2	Arm-Hydro Bypass
6:1	109-3320	1	Cap-Reservoir, HYD	17	32105-15	2	Screw-Machine 1/4-20 X 3/4
7	94-7972	2	Screw-HH W/Loctite ●	18	108-6402	2	Knob-Handle
8	104-7201	2	Nut-Nyloc 1/4-20 Flg	19	1-806003	2	Hairpin-Cotter
9	104-8300	8	Nut-Nyloc 5/16-18 Flg	21	3256-4	2	Washer-3/8 Std
10	3230-9	4	Bolt-Carriage 5/16-18 X 2 3/4				

● Use Pro-Lock, Nut Type (P/N 1-840022, .5ml tube) on threads.

Transaxle Assembly

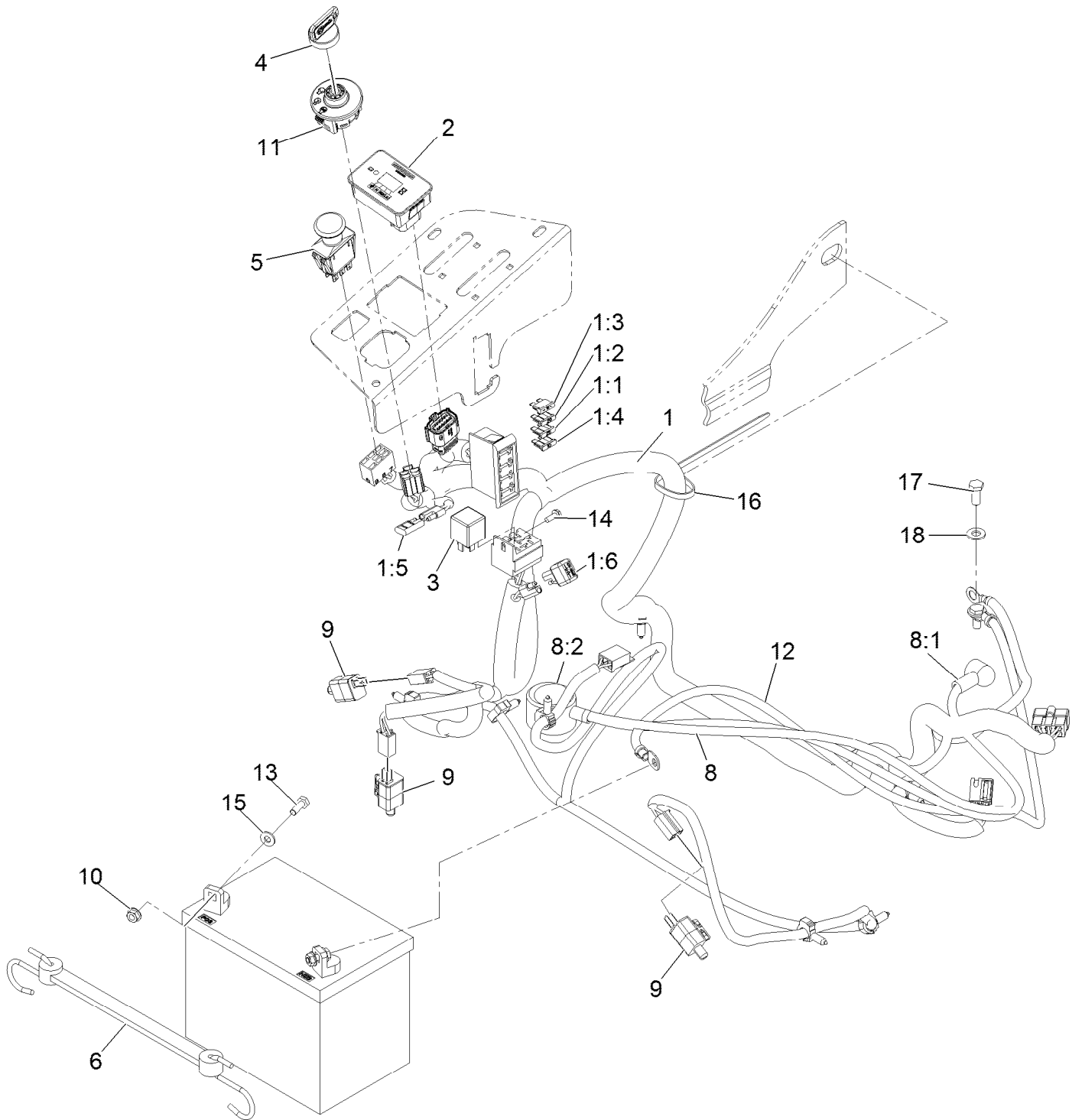


Transaxle Assembly (continued)

<i>Ref.</i>	<i>Part Number</i>	<i>Qty.</i>	<i>Description</i>	<i>Ref.</i>	<i>Part Number</i>	<i>Qty.</i>	<i>Description</i>
1	109-3321	1	Element-Oil Filter, HYD	8	125-0059	1	Fan And Pulley Kit
2	109-3278	1	Adapter-Straight	8:1	116-9714	1	Nut-HJ
2:1	237-42	1	O-Ring	8:2	126-0226	1	Fan 7.0" X 10 Blade
4	109-3540	1	O Ring-Seal	8:4	116-9705	1	Hub-Pulley
5	109-5592	1	Spring-Extension	10	115-5057	1	Cover-Nut, Axle
6	109-5939	1	Hub Kit	99	109-3537	1	Seal Kit ●
7	109-3536	1	Nut-Hub				

● Not illustrated

Electrical Assembly



Electrical Assembly (continued)

<i>Ref.</i>	<i>Part Number</i>	<i>Qty.</i>	<i>Description</i>	<i>Ref.</i>	<i>Part Number</i>	<i>Qty.</i>	<i>Description</i>
1	116-4861	1	Harness, Wire ●	8:1	1-543393	1	Insulator-Solenoid
1:1	109102	1	Fuse-Blade, 25 Amp	8:2	109-2407	1	Insulator-Battery
1:2	1-816001	1	Fuse-Blade Type, 20 Amp	9	110-6765	3	Switch
1:3	109355	1	Fuse-Blade, 15 Amp	10	32128-33	2	Nut-Whizlock 1/4-20
1:4	218-578	1	Fuse-Blade, 10 Amp	11	117-2221	1	Switch-Ignition
1:5	116-0053	1	Cap-Plug	12	117-7240	1	Cable-Battery, Negative
1:6	103-3895	1	Diode	13	321-4	2	Screw-HH 1/4-20 X 3/4
2	116-5609	1	Module ASM	14	32144-1	1	Screw-HWH #10-24 X 1/2 Taptite
3	1-643275	1	Relay-12Vdc 40 Amp	15	3256-22	2	Washer-1/4 Sae
4	1-603511	1	Key-Ignition	16	1-303335	1	Tie-Cable 7 15/16 (Large)
4	103-2106	1	Key-Exmark Logo	17	33114-020	1	Screw-HH M8-1.25 X 20Mm
5	103-5221	1	Switch-PTO	18	33094-00	1	Washer
6	104-2466	1	Holddown-Battery				
8	109-7621	1	Positive Battery Cable ASM				

● Use dielectric grease on all unsealed connectors and terminals only. Do not apply in sealed connectors.

Notes:



MAXIMIZE THE PERFORMANCE OF YOUR EXMARK MACHINE.



EXMARK® PREMIUM ENGINE OIL

Exmark now offers a family of engine oil viscosities to perform well in any environment. Each viscosity has the same synthetic formulation to give you what you need in punishing conditions. We designed each grade to the highest quality, making it ideal even for diesel applications. Coupled with Exmark Premium Fuel Treatment, we have the performance products to make your machine hum.

EXMARK PREMIUM ENGINE OIL SAE 30/10W-30

- Meets zero shear requirements of a straight grade SAE 30 as well as the cold temp properties of a 10W-30.
- Most versatile oil in the industry.
- Superior corrosion protection over conventional oil - even in corrosive, humid environments.

EXMARK PREMIUM ENGINE OIL SAE 20W-50

- Perfect for your big block engine, or any application in severe service.
- Same full synthetic formulation as all other Exmark Premium viscosities.
- Also effective for use in severe service small block engines.

EXMARK PREMIUM ENGINE OIL SAE 10W-50

- Full synthetic formulation gives you peak performance. Don't settle for less.
- Wide span multi-grade combines easy starting in cold weather with maximum protection in high temperature operation.
- Reduce friction & wear over standard mineral formulations.

EXMARK PREMIUM ENGINE OIL SAE 0W-40

- The perfect choice for when the weather turns cold or unpredictable, and your Exmark UTV has to perform.
- Commercial quality for severe service.
- Advanced additive package helps prevent corrosion from long-term storage.

EXMARK PREMIUM ENGINE OIL UTV FORMULATION

- 4-cycle high-temp formulation.
- Heavier viscosity, full synthetic, perfect for your UTV.

EXMARK PREMIUM UTV EXTREME CONDITIONS GEAR OIL

- SAE 80W-90, designed to keep your UTV performing at its peak.
- Shear stable, hypoid gear lube.
- Includes a premium additive system to combat wear, oxidation, rust & corrosion.

Available from your local Exmark dealer. Find your closest dealer at exmark.com

EXMARK ACCESSORIES AND OPTIONS*

MID-MOUNT RIDING ACCESSORIES AND OPTIONS

CUSTOM RIDE SEAT SUSPENSION SYSTEM	OPERATOR CONTROLLED DISCHARGE
FULL SUSPENSION SEAT	SUN SHADE
DECK LIFT ASSIST KIT	TRASH CONTAINER
HITCH KIT	TURF STRIPER
LIGHT KIT	ULTRA VAC COLLECTION SYSTEM
12V POWER PORT	ULTRA VAC QUICK DISPOSAL SYSTEM
MICRO-MULCH SYSTEM	

OUT-FRONT RIDING ACCESSORIES AND OPTIONS

CUSTOM RIDE SEAT SUSPENSION SYSTEM	SNOW BLADE
DUAL-TAIL WHEEL	SNOWBLOWER
FLOOR PAN EXTENDER	SUN SHADE
HITCH KIT	TRASH CONTAINER
LIGHT KIT	ULTRA VAC COLLECTION SYSTEM
MICRO-MULCH SYSTEM	ULTRA VAC QUICK DISPOSAL SYSTEM
ROLL OVER PROTECTION SYSTEM (ROPS)	WEATHER CAB

WALK-BEHIND ACCESSORIES AND OPTIONS

GRASS CATCHER	TURF STRIPER
MICRO-MULCH SYSTEM	STANDON

*Some accessories and options not available for some models.

Place Model No. and Serial No.
Label Here (Included in the Literature
Pack) or Fill in Below

Model No. _____

Serial No. _____

Date Purchased _____

Engine Model No. and Spec. No. _____

Engine Serial No. (E/No) _____

© 2015 Exmark Mfg. Co., Inc.
Industrial Park Box 808
Beatrice, NE 68310
All Rights Reserved

Part No. 4502-655 Rev. A
(402) 223-6285
Fax (402) 223-5489
Printed in the USA.

