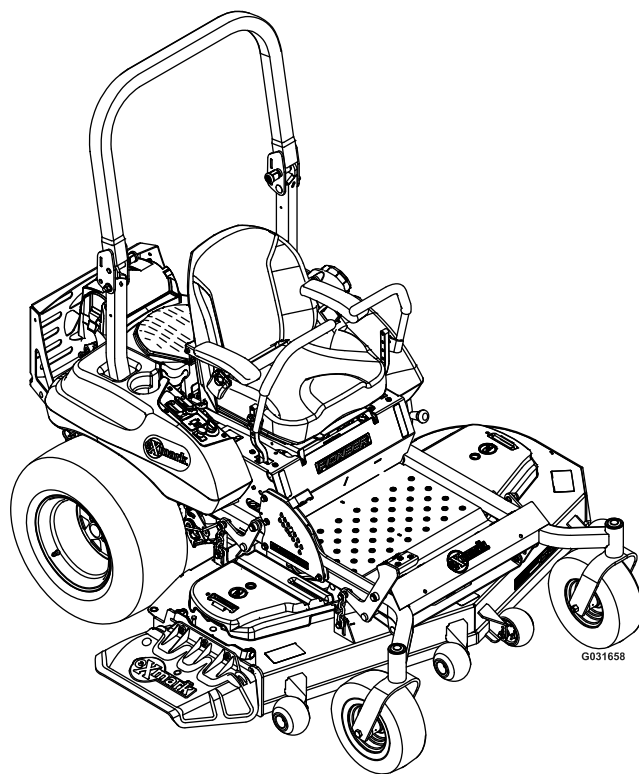




# PIONEER®

Model No. PNS740GKC604A4—Serial No. 31600000 and Up

Picture below may not reflect actual product.



# Parts Manual

Part No. 4502-663 Rev. A

# Ordering Replacement Parts

To order replacement parts, please supply the part number, the quantity, and the description of each part desired.

## Understanding Reference Numbers

Each identified part in an illustration has a reference number. The reference number for a part also appears in the parts list, along with other information about the part.

This catalog uses two special reference number formats, one to indicate parts in a service assembly and another to indicate the quantity of a given part in an illustration.

## Service Assembly Reference Numbers

Parts in service assemblies have reference numbers in the form a:b. The a represents the reference number of the entire service assembly and the b represents a sequential number unique to each part within the service assembly.

For example, a wheel assembly might be identified by reference number 6, the tire by 6:1, the valve by 6:2, and the wheel by 6:3. When you order the assembly identified by reference number 6, you receive all parts identified by reference numbers 6:1, 6:2, and 6:3. However, you may also order any part individually. Reference numbers of this type appear in illustration and in parts lists.

## Reference Numbers Indicating Quantity

In an illustration, if a reference number indicates more than one part, the reference number has the form nX y. The n represents the quantity of the part, the X is the multiplication symbol, and the y represents the reference number.

For example, in an illustration, the reference number 2X 37 means that two of the parts identified by reference number 37 are indicated.

# List of Abbreviations

<b>AR:</b> as required	<b>HLH:</b> hex lag head	<b>PTH:</b> phillips truss head
<b>ASM:</b> assembly	<b>HOC:</b> height-of-cut	<b>PTO:</b> power-take-off
<b>BBC:</b> blade brake control	<b>HP:</b> high pressure	<b>RH:</b> right hand
<b>BHTF:</b> button head thread forming	<b>HSBH:</b> hex socket button head	<b>ROPS:</b> roll-over protection system
<b>CARR:</b> carriage	<b>HSFH:</b> hex socket flat head	<b>RRB:</b> rear roller brush
<b>CCW:</b> counter clockwise	<b>HSH:</b> hex socket head	<b>SFH:</b> slotted fillister head
<b>CW:</b> clockwise	<b>HWH:</b> hex washer head	<b>SHH:</b> slotted hex head
<b>DEG:</b> degrees	<b>HWHTF:</b> hex washer head thread forming	<b>SHWH:</b> slotted hex washer head
<b>DPA:</b> Dual Point Adjustment	<b>HYD:</b> hydraulic	<b>SPH:</b> slotted pan head
<b>ECM:</b> electronic control module	<b>LH:</b> left hand	<b>SQH:</b> square head
<b>EXT:</b> external	<b>LP:</b> low pressure	<b>SRH:</b> slotted round head
<b>FH:</b> flat head	<b>LPG:</b> Liquefied Petroleum Gas	<b>STD:</b> standard
<b>GA:</b> gauge	<b>NI:</b> nylon insert	<b>TAP:</b> self tapping
<b>HD:</b> heavy-duty	<b>NPTF:</b> national pipe thread fine	<b>TTH:</b> torx truss head
<b>HF:</b> hex flange	<b>PFH:</b> phillips flat head	
<b>HH:</b> hex head	<b>PPH:</b> phillips pan head	
<b>HHF:</b> hex head flange	<b>PPHTF:</b> phillips pan head thread forming	
<b>HHFTF:</b> hex head flange thread forming	<b>PRH:</b> phillips round head	
<b>HJ:</b> hex jam		

# Touch Up Paint

Exmark black touch up spray paint – gloss black.

Exmark red touch up paint (spray paint – P/N 1-850337 - .6 oz liquid bottle – P/N 103-9140).

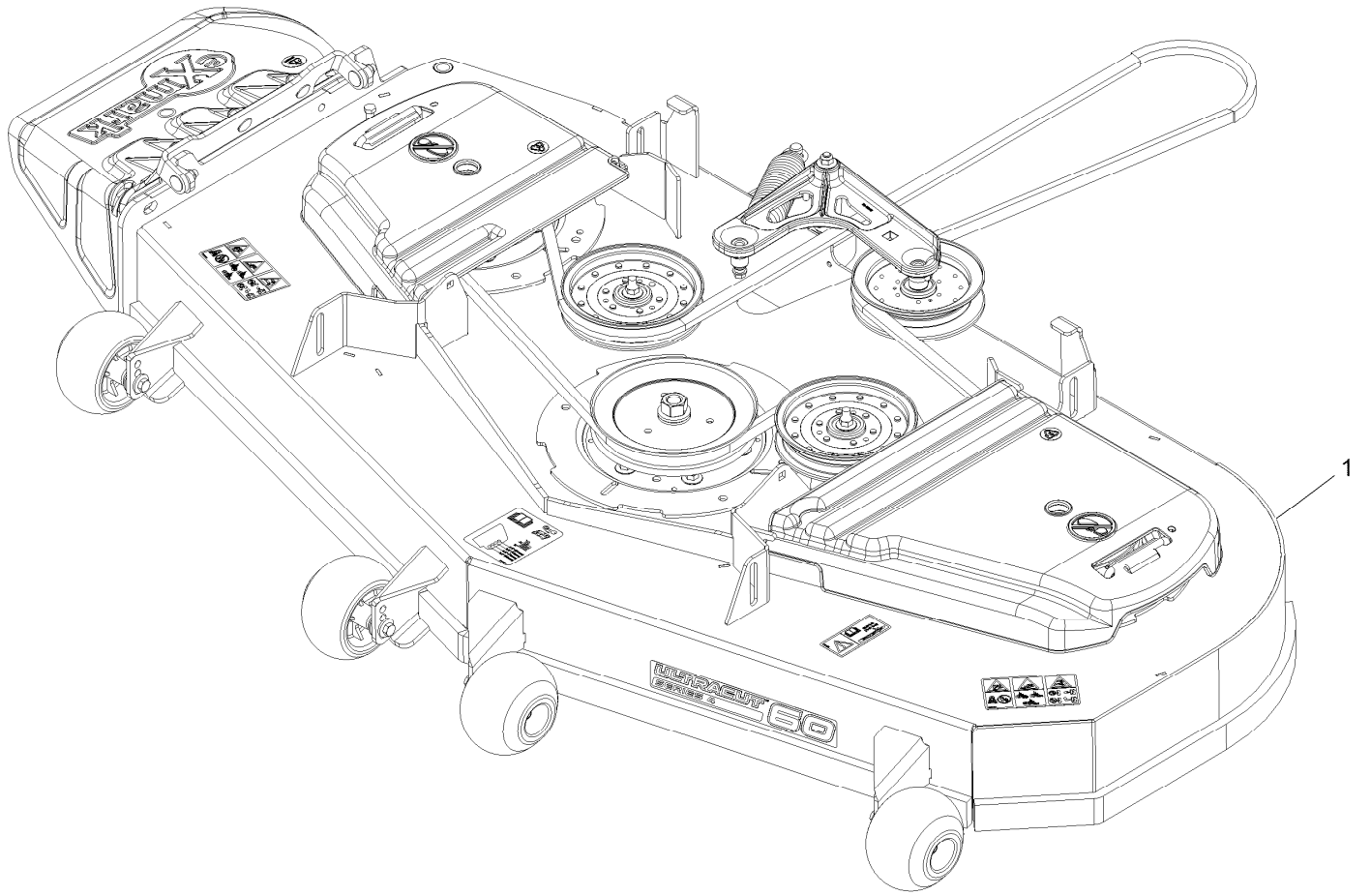


If your Exmark dealer does not have the Exmark part in stock, Exmark will get the parts to the dealer the next business day or the part will be FREE Guaranteed!! (Some restrictions apply. See your participating Exmark Dealer for details.)

## Contents

Complete Deck Assembly.....	4
Deck Assembly.....	6
Deck W/Decals Assembly No. 116-5812.....	8
Idler Arm W/Bearings Assembly.....	10
Main Frame Assembly.....	12
Main Frame W/Decals Assembly.....	14
Caster Wheel Assembly No. 103-5189.....	16
Roll-Over Protection System Assembly No. 116-3498.....	18
Deck Lift Assembly.....	20
Motion Control Assembly.....	22
LH Motion Control Assembly.....	24
RH Motion Control Assembly.....	26
Seat Assembly.....	28
Seat W/Tracks Assembly No. 126-2802.....	30
Controls Assembly.....	32
Fuel Tank Mounting Assembly.....	34
Fuel Tank Assembly No. 116-4610.....	36
Engine Assembly.....	38
Hydraulic Assembly.....	40
RH Transaxle Assembly.....	42
LH Transaxle Assembly.....	44
Electrical Assembly.....	46

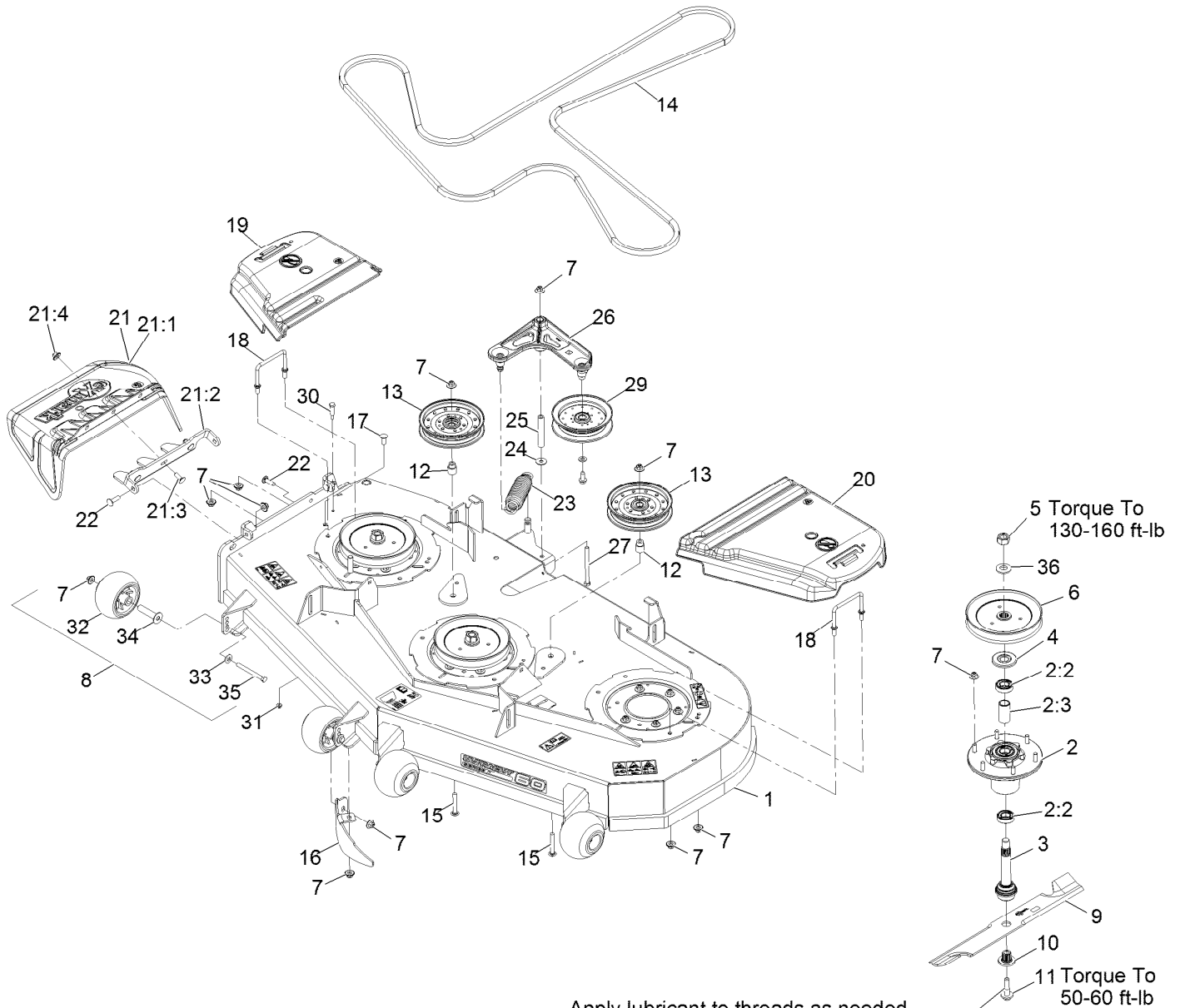
# Complete Deck Assembly



# Complete Deck Assembly (continued)

<i>Ref.</i>	<i>Part Number</i>	<i>Qty.</i>	<i>Description</i>
1	116-5945	1	ASM-Deck Complete 604

# Deck Assembly



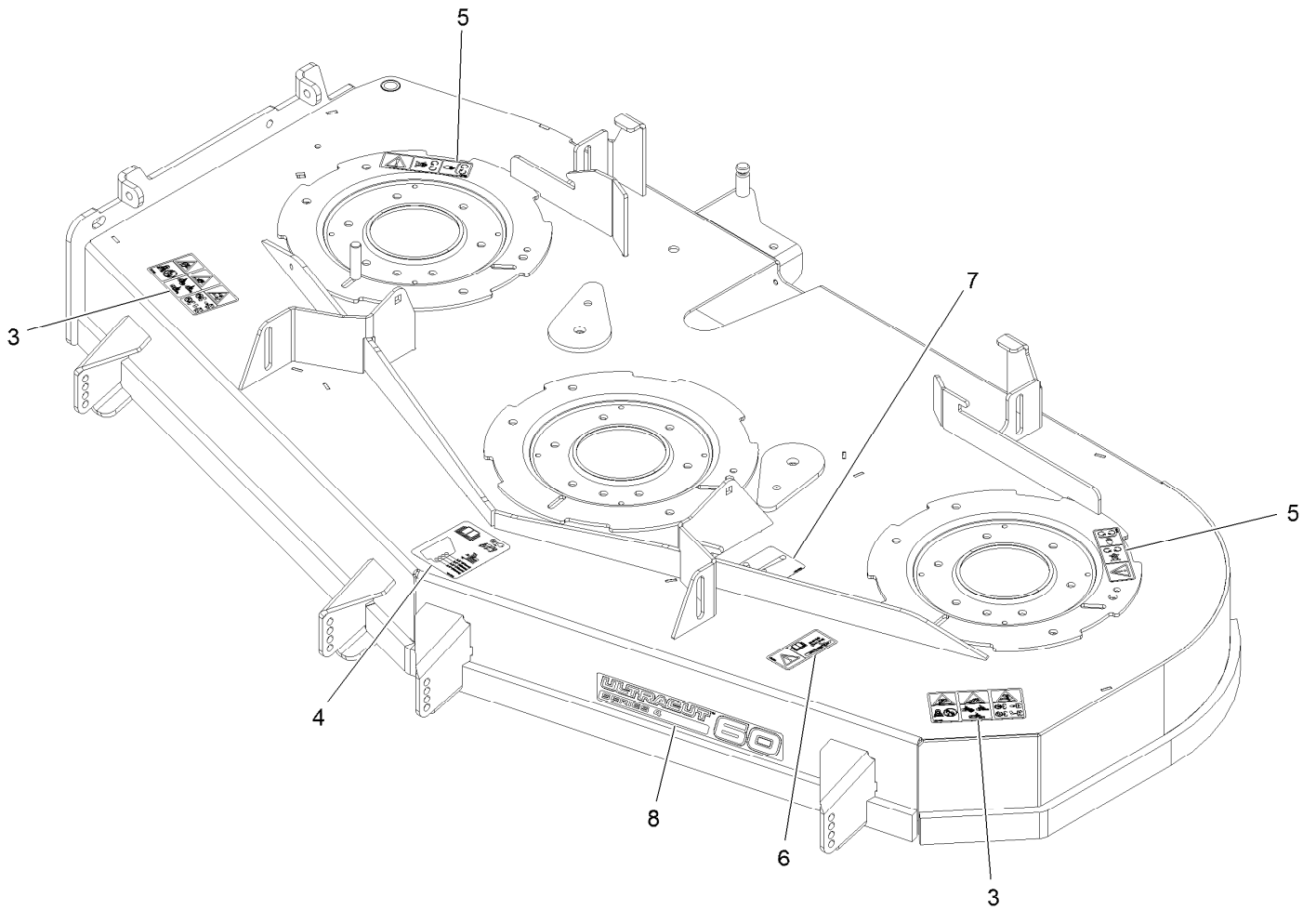
Apply lubricant to threads as needed to prevent seizing. Copper based anti-seize preferable. Grease is an acceptable substitute.

## Deck Assembly (continued)

<i>Ref.</i>	<i>Part Number</i>	<i>Qty.</i>	<i>Description</i>	<i>Ref.</i>	<i>Part Number</i>	<i>Qty.</i>	<i>Description</i>
1	116-5812	1	Deck ASM,W/Decals 604	18	109-6982	2	Wireform-Cover
2	116-3344	3	ASM-Cutter Hsg With Bearings	19	116-0094	1	Cover-Belt, RH
2:2	116-0720	2	Bearing-Ball	20	109-6938	1	Cover-Belt, LH
2:3	116-3312	1	Spacer-Bearing	21	109-7188	1	ASM,Discharge Chute
3	116-3341	3	ASM-Spindle And Seal	21:1	109-2738	1	Chute, Discharge
4	116-1286	3	Guard,Bearing Top .989	21:2	109-8675-01	1	Bracket,Discharge Chute
5	116-7306	3	Nut-Hex	21:3	3231-22	3	Bolt-Carriage 3/8-16 X 1
6	116-0676	3	Sheave,Blade Drive 7.25	21:4	109-6658	3	Nut-Nyloc 3/8-16 Flg
7	109-6658	33	Nut-Nyloc 3/8-16 Flg	22	3231-28	3	Bolt-Carriage 3/8-16 X 1 1/4
8	116-9981	4	Kit, Anti-Scalp Roller	23	116-6317	1	Spring-Extension
9	116-5174	3	Blade-Extreme 2, 20.50"	24	52-2860	1	Washer
9	103-6403	3	Blade, Notched	25	116-5111	1	Bushing
9	103-6393	3	Blade, Mulching ●	26	126-0976	1	ASM-Idler Arm W/Bearings
9	103-6388	3	Blade, Low Lift	27	323-23	1	Screw-HH 3/8-16 X 4-1/2
9	103-6383	3	Blade, Solid	29	116-4668	1	Idler-Pulley, Flanged
10	103-3037	3	Bushing, Splined	30	112-8387	1	Bolt-HH Shoulder 1/4-20 X 1.64
11	109-9220	3	Screw-Sems 1/2-20 X 2.19	31	104-7201	1	Nut-Nyloc 1/4-20 Flg
12	1-633456	2	Bushing, Idler	32	103-8415	4	Roller-Anti-Scalp
13	116-4670	2	Pulley-Idler, Flat	33	98-5975	4	Washer-Spring Disc 3/8
14	114-8154	1	Belt-V	34	116-8131	4	Axle, Roller
15	3231-44	2	Bolt-Carriage 3/8-16 X 2 1/2	35	116-9362	4	Screw-HH 3/8-16 X 3 3/4 Gr 8
16	116-5614-01	1	Dogleg - Lz60	36	103-2802	3	Washer-Spring Disc 3/4
17	3231-22	1	Bolt-Carriage 3/8-16 X 1				

● Requires installation of mulch kit for proper mulching. See your Exmark dealer for details.

# Deck W/Decals Assembly No. 116-5812

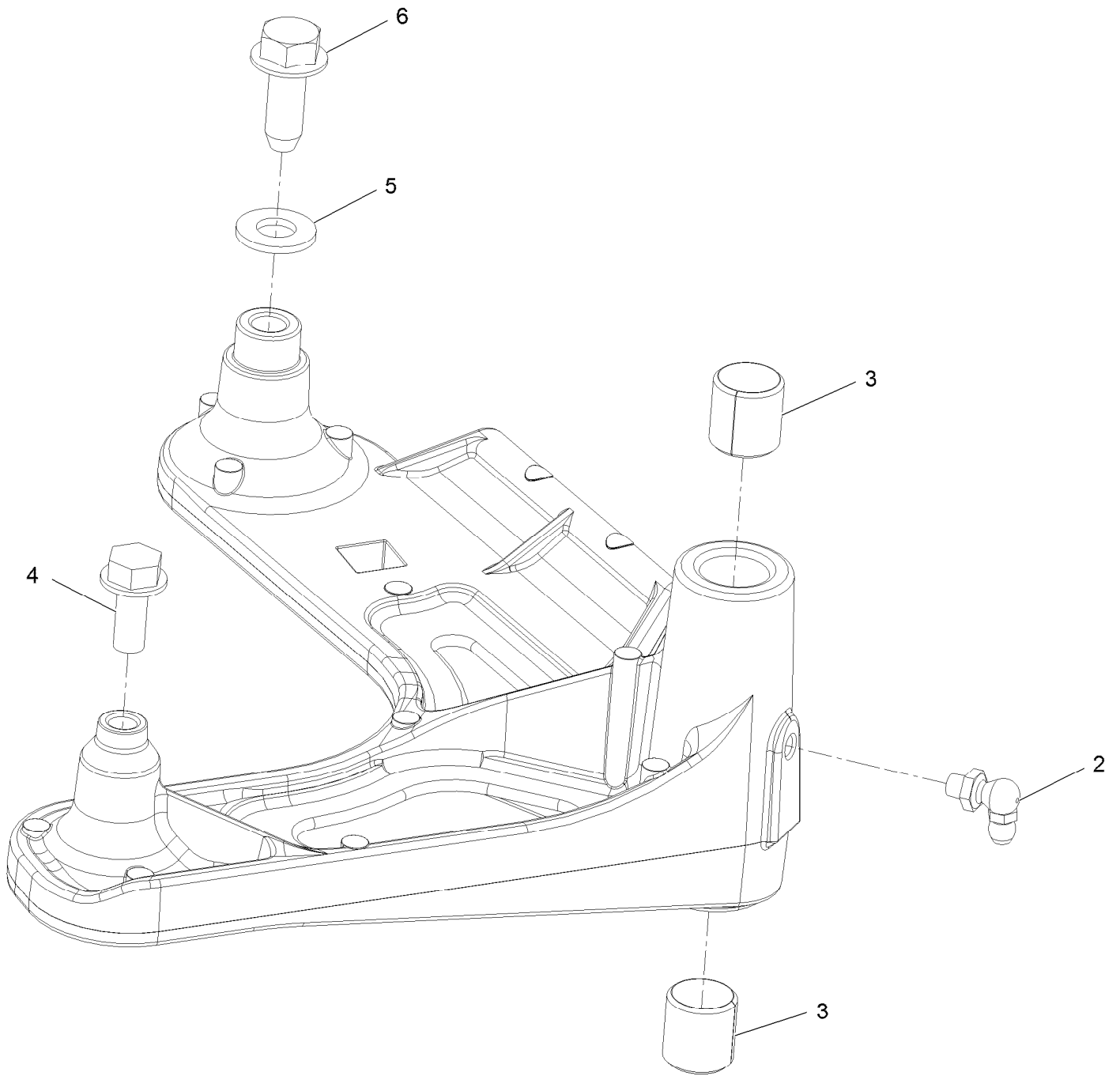




## Deck W/Decals Assembly No. 116-5812 (continued)

<i>Ref.</i>	<i>Part Number</i>	<i>Qty.</i>	<i>Description</i>	<i>Ref.</i>	<i>Part Number</i>	<i>Qty.</i>	<i>Description</i>
3	126-6464	2	Decal-Danger Thrown Objects	6	116-8283	1	Decal-Bolt Torque
4	109-6036	1	Decal-Roller, Anti-Scalp	7	109-6035	1	Decal-Belt Routing
5	112-9028	2	Decal-Missing, Cover	8	126-6589	1	Decal, 604

# Idler Arm W/Bearings Assembly

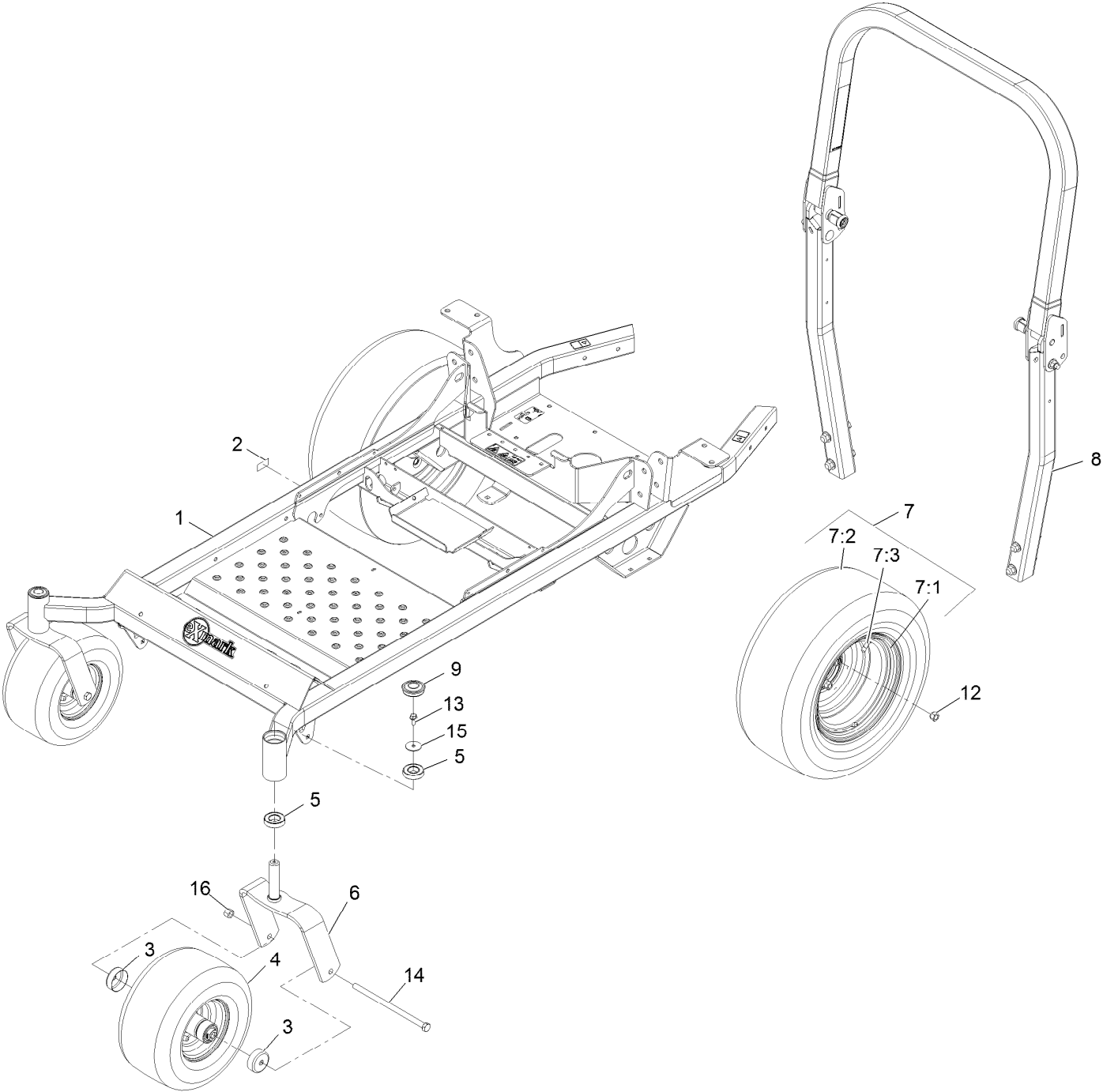


## Idler Arm W/Bearings Assembly (continued)

<i>Ref.</i>	<i>Part Number</i>	<i>Qty.</i>	<i>Description</i>
2	302-40	1	Zerk-90° 1/4-28
3	1-513034	2	Sleeve-Bearing
4	32144-11	1	Screw-HWH 5/16-18 X 3/4 Tf

<i>Ref.</i>	<i>Part Number</i>	<i>Qty.</i>	<i>Description</i>
5	3256-24	1	Washer-3/8 Sae
6	126-1696	1	Screw-Thread Forming

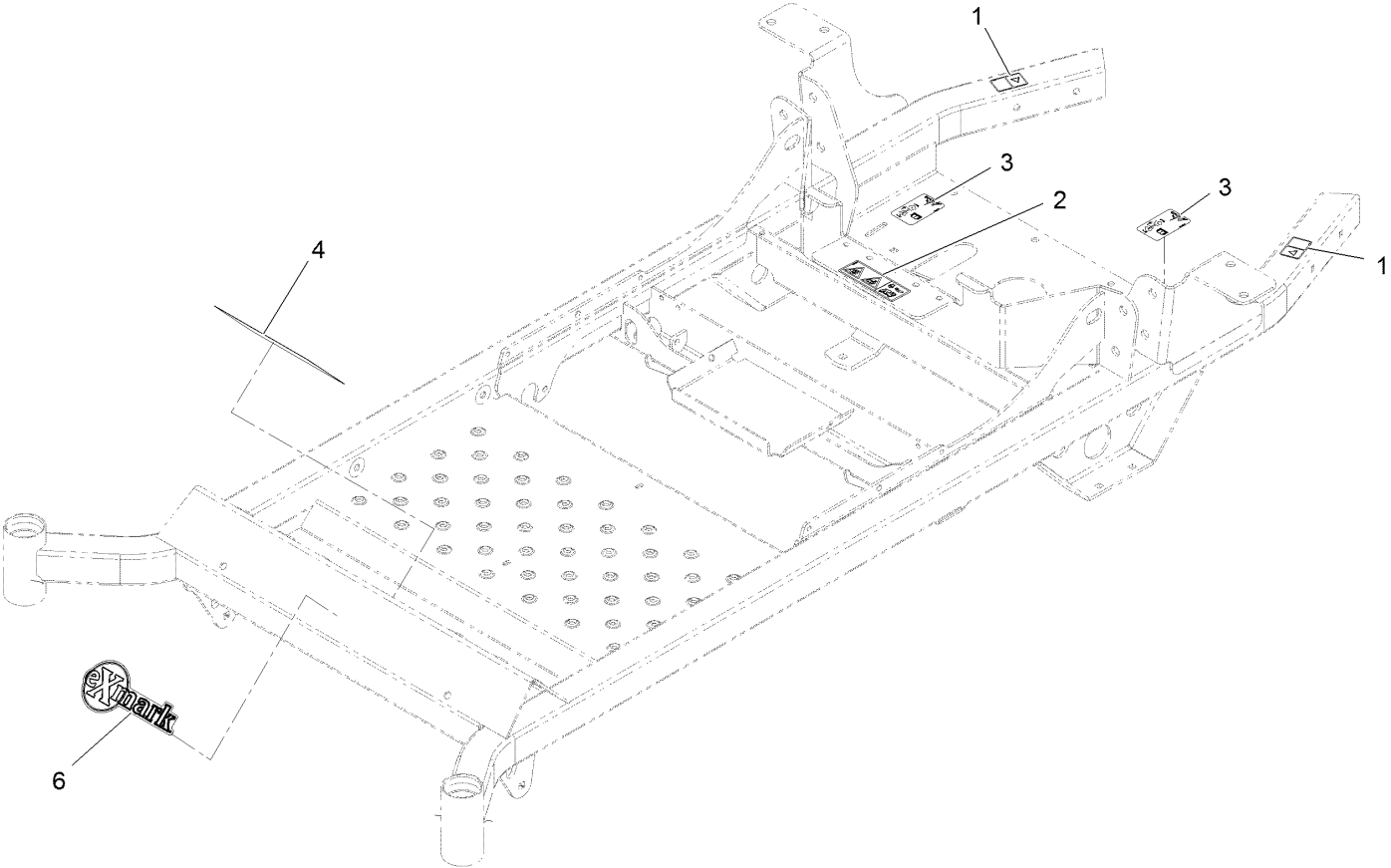
# Main Frame Assembly



## Main Frame Assembly (continued)

<i>Ref.</i>	<i>Part Number</i>	<i>Qty.</i>	<i>Description</i>	<i>Ref.</i>	<i>Part Number</i>	<i>Qty.</i>	<i>Description</i>
1	116-5854	1	Frame ASM-60	7:2	120-3269	1	Tire
2	126-4345	1	Decal-Patent Ttco.Com	7:3	232-27	1	Stem-Valve
3	103-2768	4	Guard-Seal	8	116-3498	1	ASM-ROPS Pioneer
4	103-5189	2	Asm, Caster Wheel (Pneumatic)	9	116-4348	2	Cap-Grease
5	109-3678	4	Bearing-Ball	12	242-50	8	Nut-Lug 1/2-20
6	116-5861-01	2	Caster Fork [red]	13	3234-5	2	Screw-HH Flg 5/16-18 X 3/4
7	119-2685	2	Wheel And Tire ASM	14	325-36	2	Screw-HH 1/2-13 X 7 1/2
7:1	120-3272	1	Wheel	15	3256-68	2	Washer-Flat
				16	3296-23	2	Nut-Nyloc 1/2-13

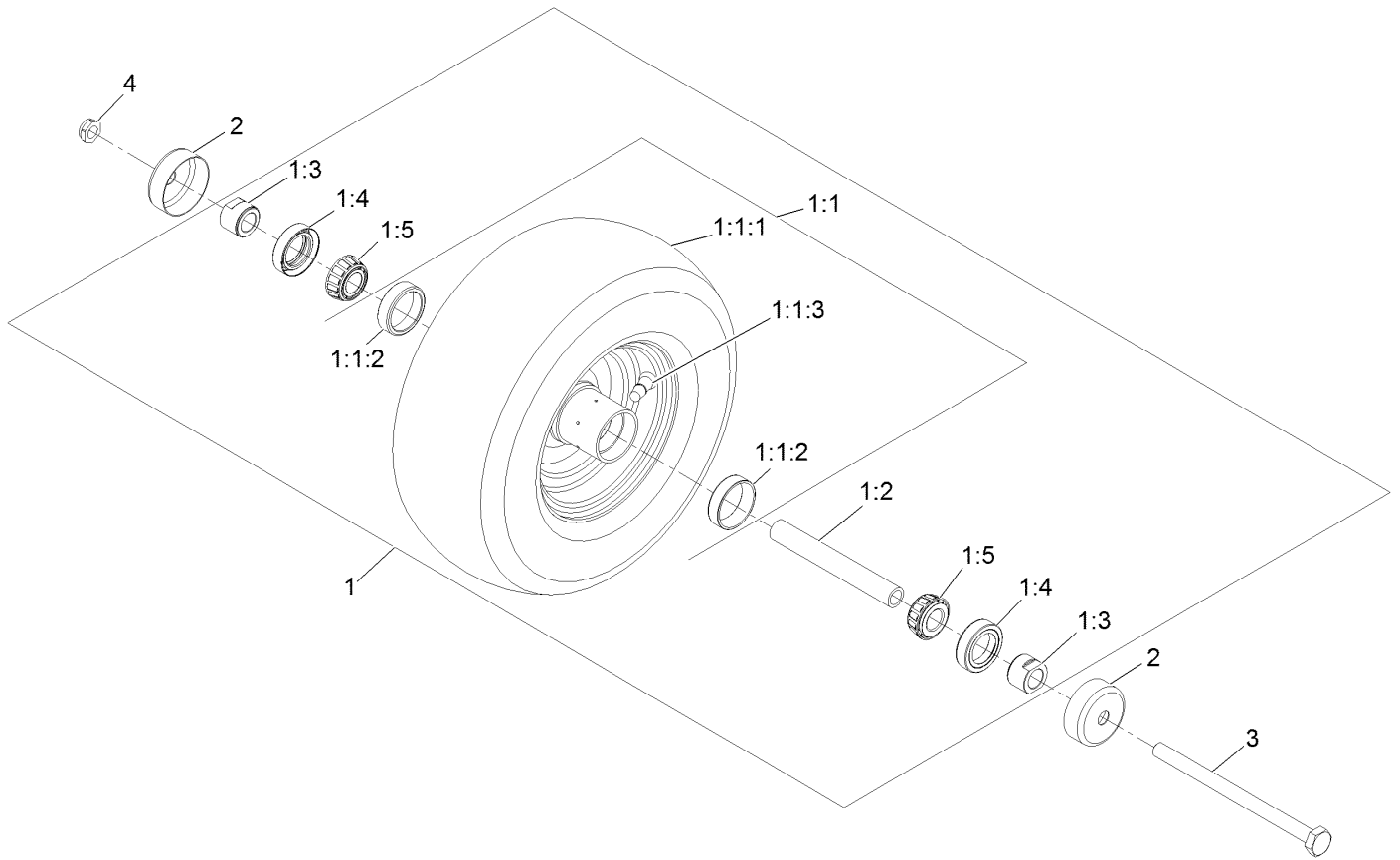
# Main Frame W/Decals Assembly



## Main Frame W/Decals Assembly (continued)

<i>Ref.</i>	<i>Part Number</i>	<i>Qty.</i>	<i>Description</i>	<i>Ref.</i>	<i>Part Number</i>	<i>Qty.</i>	<i>Description</i>
1	106-5517	2	Decal-Warning, Hot Surface	3	116-8588	2	Decal-Drive Release
2	126-4363	1	Decal-Warning Rotating Devices	4	132-0871	1	Decal-Danger
				6	126-6598	1	Decal, Exmark Logo

# Caster Wheel Assembly No. 103-5189





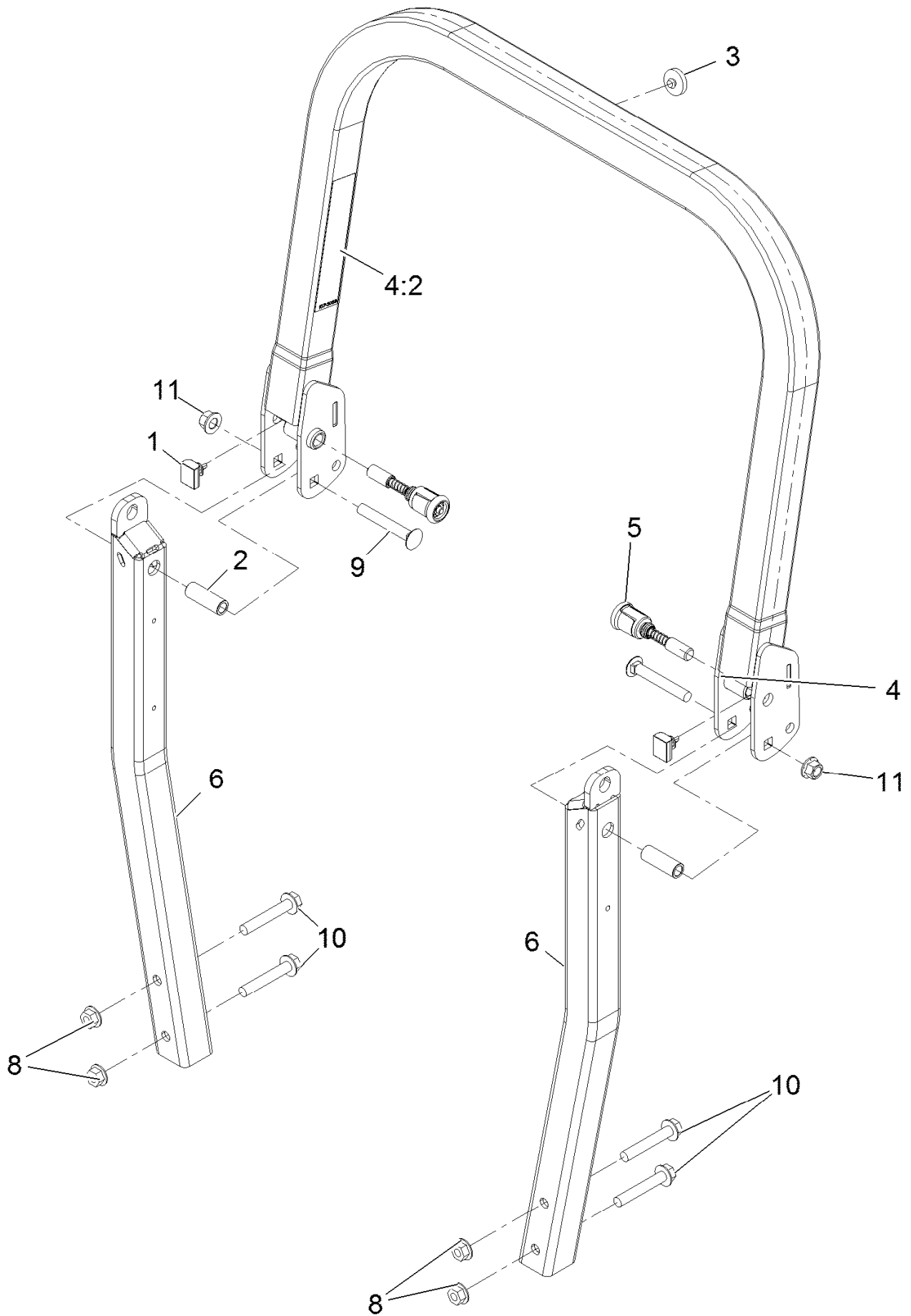
## Caster Wheel Assembly No. 103-5189 (continued)

<i>Ref.</i>	<i>Part Number</i>	<i>Qty.</i>	<i>Description</i>	<i>Ref.</i>	<i>Part Number</i>	<i>Qty.</i>	<i>Description</i>
1		1	ASM, Wheel And Brg 13X5.00-6 ●	1:3	103-3051	1	Spacer-Nut ■
1:1		1	ASM, Wheel And Tire 13X5.00-6 ●	1:4	103-0063	2	Seal-Double Lip
1:1:1	1-633002	1	Tire	1:5	1-633585	2	Bearing-Cone Tapered Roller
1:1:2	1-633584	2	Bearing-Cup	2	103-2768	2	Guard-Seal
1:1:3	5108	1	Valve	3	325-36	1	Screw-HH 1/2-13 X 7 1/2
1:2	126-5360	1	Axle ASM-Caster	4	3296-45	1	Nut-Nyloc 1/2-13 Thin

● Not serviced separately

■ Use Pro-Lock, Nut Type (P/N 1-840022, .5ml tube) on threads.

# Roll-Over Protection System Assembly No. 116-3498

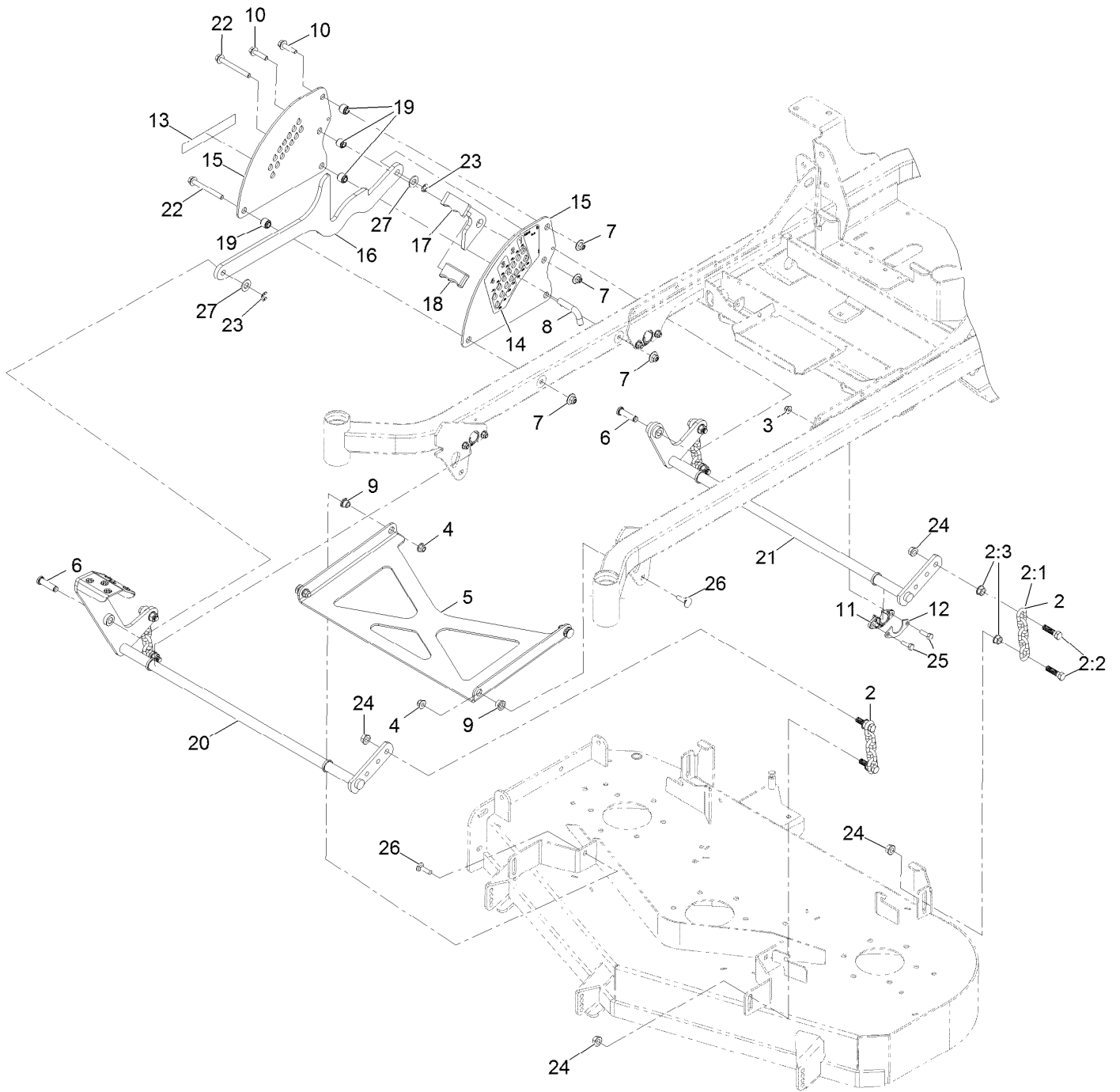


# Roll-Over Protection System Assembly No. 116-3498 (continued)

<i>Ref.</i>	<i>Part Number</i>	<i>Qty.</i>	<i>Description</i>	<i>Ref.</i>	<i>Part Number</i>	<i>Qty.</i>	<i>Description</i>
1	109-5337	2	Bumper-ROPS	5	116-0104	2	Pin-Spring
2	109-6653	2	Spacer	6		2	ASM-Lwr ROPS Leg ●
3	109-9233	1	Bumper-Push-In, Rubber	8	32128-49	4	Nut-Whizlock 1/2-13
4	116-0019	1	Upper ROPS ASM	9	3233-10	2	Bolt-Carriage 1/2-13 X 3 1/2
4:2	107-3069	1	Decal-Warning, Folding ROPS	10	3234-40	4	Screw-HF
				11	99-5107	2	Nut-Lock 1/2-13

● Not serviced separately

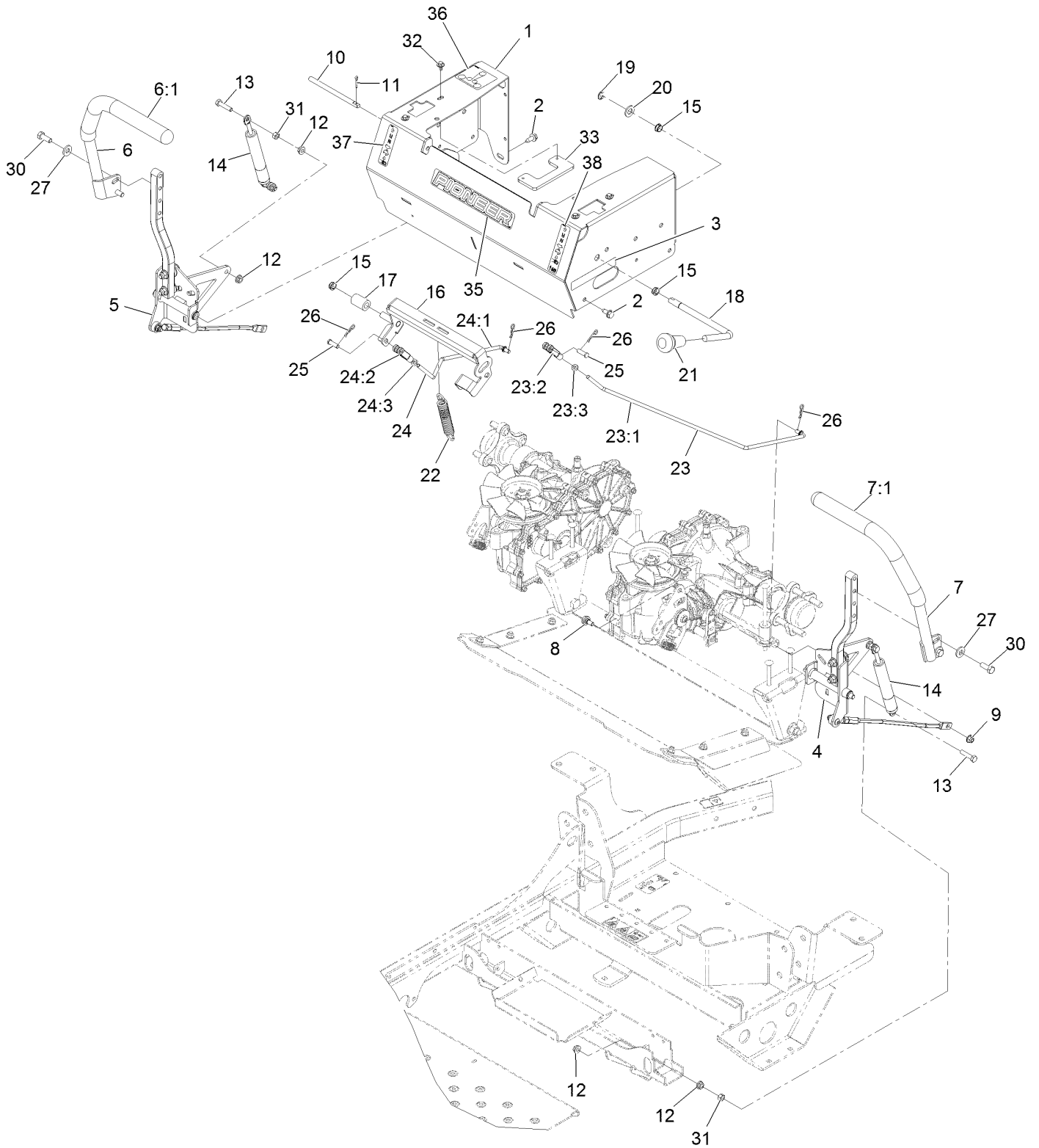
# Deck Lift Assembly



## Deck Lift Assembly (continued)

<i>Ref.</i>	<i>Part Number</i>	<i>Qty.</i>	<i>Description</i>	<i>Ref.</i>	<i>Part Number</i>	<i>Qty.</i>	<i>Description</i>
2	103-9817	4	Deck Chain ASM	13	126-6998	1	Decal-S-Series
2:1	1-633447	1	Chain-Lift, Deck	14	126-4383	1	Decal-Height Of Cut
2:2	103-1898	2	Screw-HH 7/16-20 X 1-5/8 Sp	15	116-4309-03	2	Plate,Deck Lift
2:3	32128-37	2	Nut-Whizlock 7/16-14	16	116-4310-03	1	Link-HOC
3	104-8300	8	Nut-Nyloc 5/16-18 Flg	17	116-4311	1	Transport Lock-HOC
4	104-8301	4	Nut-Nyloc 3/8-16 Flg	18	116-4312	1	Grip-Bar, Flat
5	109-3723-01	1	Strut-Deck	19	116-4313	4	Spacer-Step, Double
6	109-5819	2	Pin-Clevis	20	116-6011-03	1	Wld-Deck Lift Shaft Frt
7	109-6658	4	Nut-Nyloc 3/8-16 Flg	21	116-6012-03	1	Wld-Deck Lift Shaft Rr
8	116-5584	1	Pin-HOC	22	116-4701	2	Screw-HHF
9	109-8788	4	Bushing-Flanged	23	32120-47	2	Ring-Retaining
10	114-4681	2	Screw-HHF	24	32128-37	8	Nut-Whizlock 7/16-14
11	115-5065	4	Bushing-Flange	25	322-5	8	Screw-HH 5/16-18 X 1
12	116-2887	4	Gusset-Lift, Deck	26	3231-25	4	Bolt-Carriage 3/8-16 X 1 1/4
				27	3256-26	2	Washer-1/2 Sae

# Motion Control Assembly

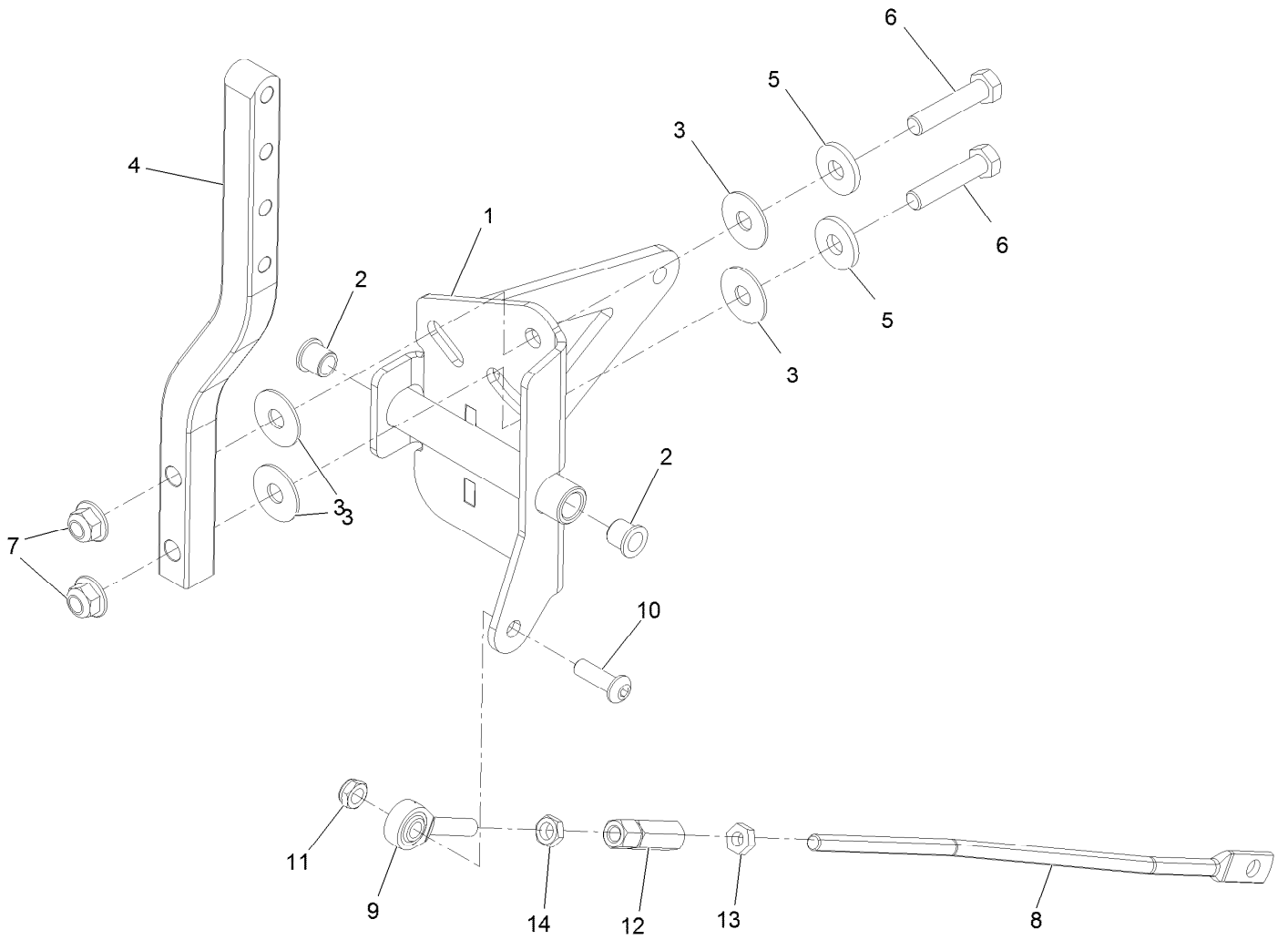


## Motion Control Assembly (continued)

<i>Ref.</i>	<i>Part Number</i>	<i>Qty.</i>	<i>Description</i>	<i>Ref.</i>	<i>Part Number</i>	<i>Qty.</i>	<i>Description</i>
1	116-3188	1	ASM-Mot Ctrl Frm W/Dcl	20	106-9888	1	Washer-Flat
2	32144-70	6	Screw-HWH 5/16-18 X 3/4 Tf	21	106-7952	1	Knob
3	126-6998	1	Decal-S-Series	22	88-6130	1	Spring-Deck, Engagement
4		1	Motion Control ASM-LH ●	23	116-1165	1	Brake Linkage ASM-LH
5		1	Motion Control ASM-RH ●	23:1	116-1167	1	Linkage,Brake LH
6	119-3486	1	RH Handle ASM	23:2	1-303105	1	Yoke-Adjustable
6:1	108-6187	1	Grip	23:3	3220-2	1	Nut-Jam 5/16-24
7	119-3485	1	LH Handle ASM	24	116-1166	1	Brake Linkage ASM-RH
7:1	108-6187	1	Grip	24:1	116-1168	1	Linkage-Brake, RH
8	37-8771	2	Screw-Shoulder 5/16-18 X 5/8	24:2	1-303105	1	Yoke-Adjustable
9	104-8300	2	Nut-Nyloc 5/16-18 Flg	24:3	3220-2	1	Nut-Jam 5/16-24
10	109-3705	2	Pin-Control Pivot	25	1-808280	2	Pin-Clevis 5/16 X 1 49/64
11	3272-10	2	Pin-Cotter 1/8 X 3/4	26	1-806003	4	Hairpin-Cotter
12	32128-20	8	Nut-Whizlock 5/16-18	27	98-5975	4	Washer-Spring Disc 3/8
13	1-403180	4	Screw-HH 5/16-18 X 1 3/8 Special	30	323-6	4	Screw-HH 3/8-16 X 1
14	109-5957	2	Damper-Motion Control	31	3217-6	4	Nut-Hex 5/16-18
15	116-1393	3	Bushing,Snap	32	46-8560	4	Screw-HHF 1/4-20 X 1/2
16	116-6233	1	Wld-Brake Center Arm	33	109-6214	2	Stop-Motion Control
17	109-5010	1	Spacer	35	126-6754	1	Decal-Pioneer Logo
18	116-3155	1	Handle,Brake	36	109-6014	1	Decal-Belt Routing
19	32120-47	1	Ring-Retaining	37	99-8936	1	Decal-Control, Motion
				38	126-6753	1	Decal-Motion Control,Parkbrake

● Not serviced separately

# LH Motion Control Assembly

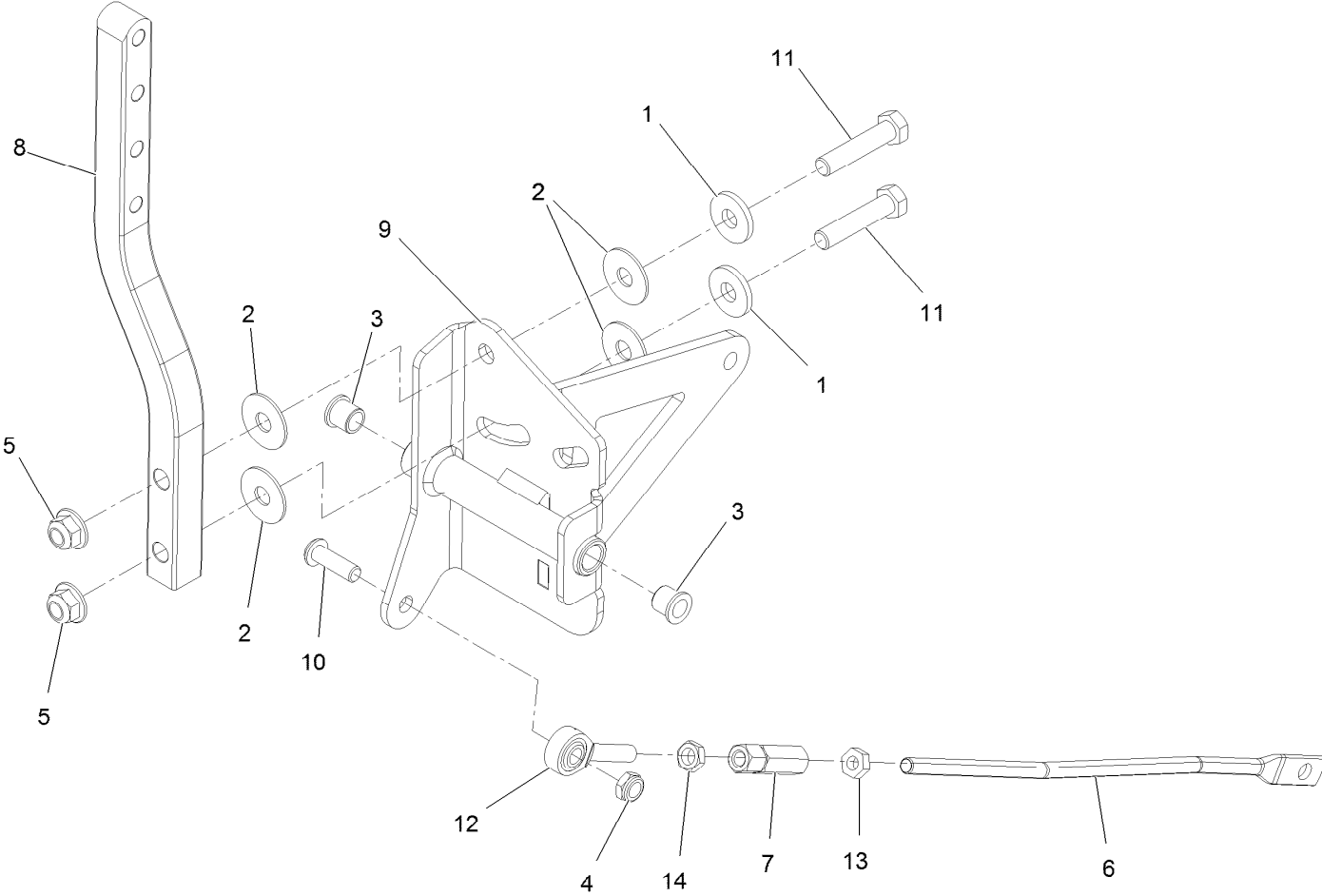




## LH Motion Control Assembly (continued)

<i>Ref.</i>	<i>Part Number</i>	<i>Qty.</i>	<i>Description</i>	<i>Ref.</i>	<i>Part Number</i>	<i>Qty.</i>	<i>Description</i>
1	126-3710	1	LH Control Pivot ASM	8	116-2543	1	Link,Motion Control
2	103-9928	2	Bearing	9	2411-53	1	Bearing-Rod End, LH
3	52-2900	4	Washer-Plastic	10	3274-104	1	Screw-HSBH
4	116-3183	1	Arm-Motion Control	11	3296-47	1	Nut-Lock, NI
5	5-0838	2	Washer	12	109-3728	1	Nut-Rod Adjustment
6	323-9	2	Screw-HH	13	3220-2	1	Nut-Jam
7	104-8301	2	Nut-Flange, NI	14	3220-20	1	Nut-Jam

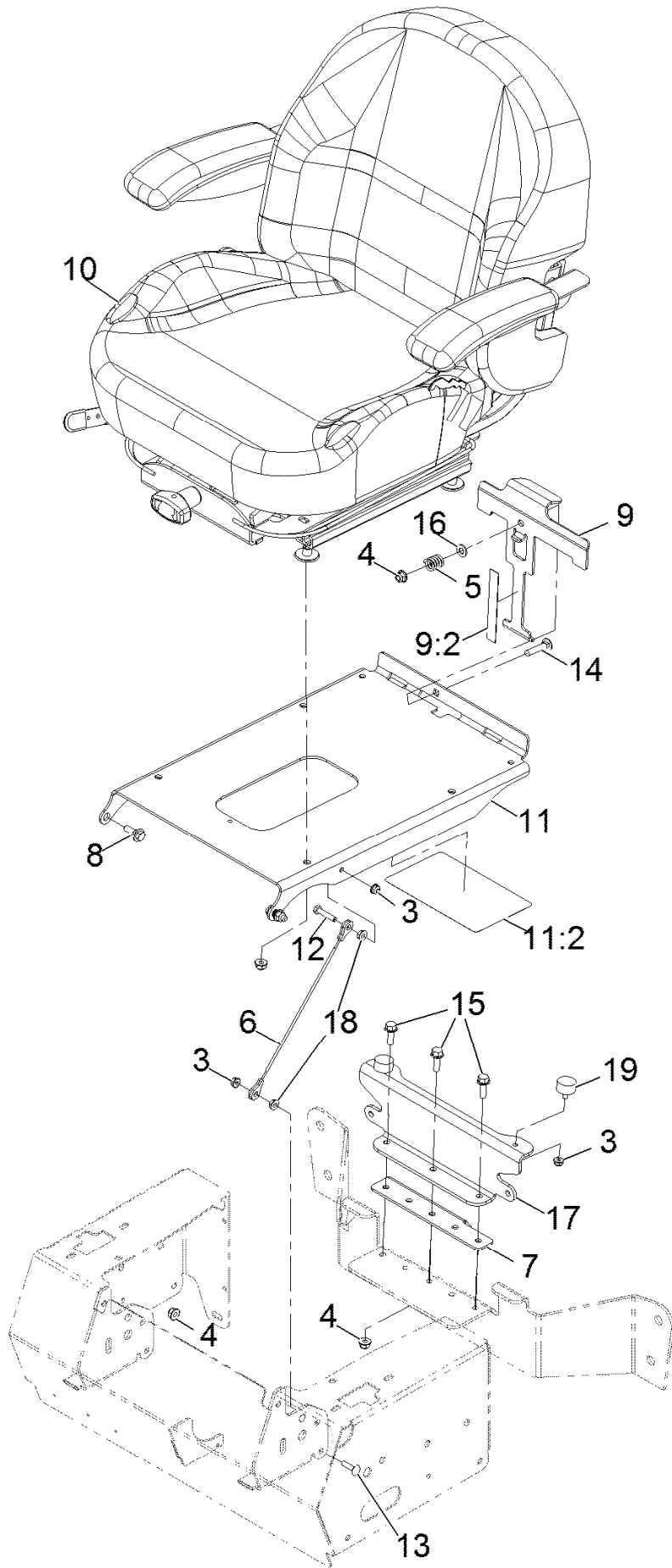
# RH Motion Control Assembly



## RH Motion Control Assembly (continued)

<i>Ref.</i>	<i>Part Number</i>	<i>Qty.</i>	<i>Description</i>	<i>Ref.</i>	<i>Part Number</i>	<i>Qty.</i>	<i>Description</i>
1	5-0838	2	Washer	9	126-3707	1	RH Control Pivot ASM
2	52-2900	4	Washer-Plastic	10	3274-104	1	Screw-Button Head 5/16-18 X 1
3	103-9928	2	Bearing	11	323-9	2	Screw-HH 3/8-16 X 1 3/4
4	3296-47	1	Nut-Nyloc 5/16-18 Thin	12	2411-53	1	Balljoint LH
5	104-8301	2	Nut-Nyloc 3/8-16 Flg	13	3220-2	1	Nut-Jam 5/16-24
6	116-2543	1	Link,Motion Control	14	3220-20	1	Nut-Jam 5/16-24 LH
7	109-3728	1	Nut-Rod Adjustment				
8	116-3183	1	Arm-Motion Control				

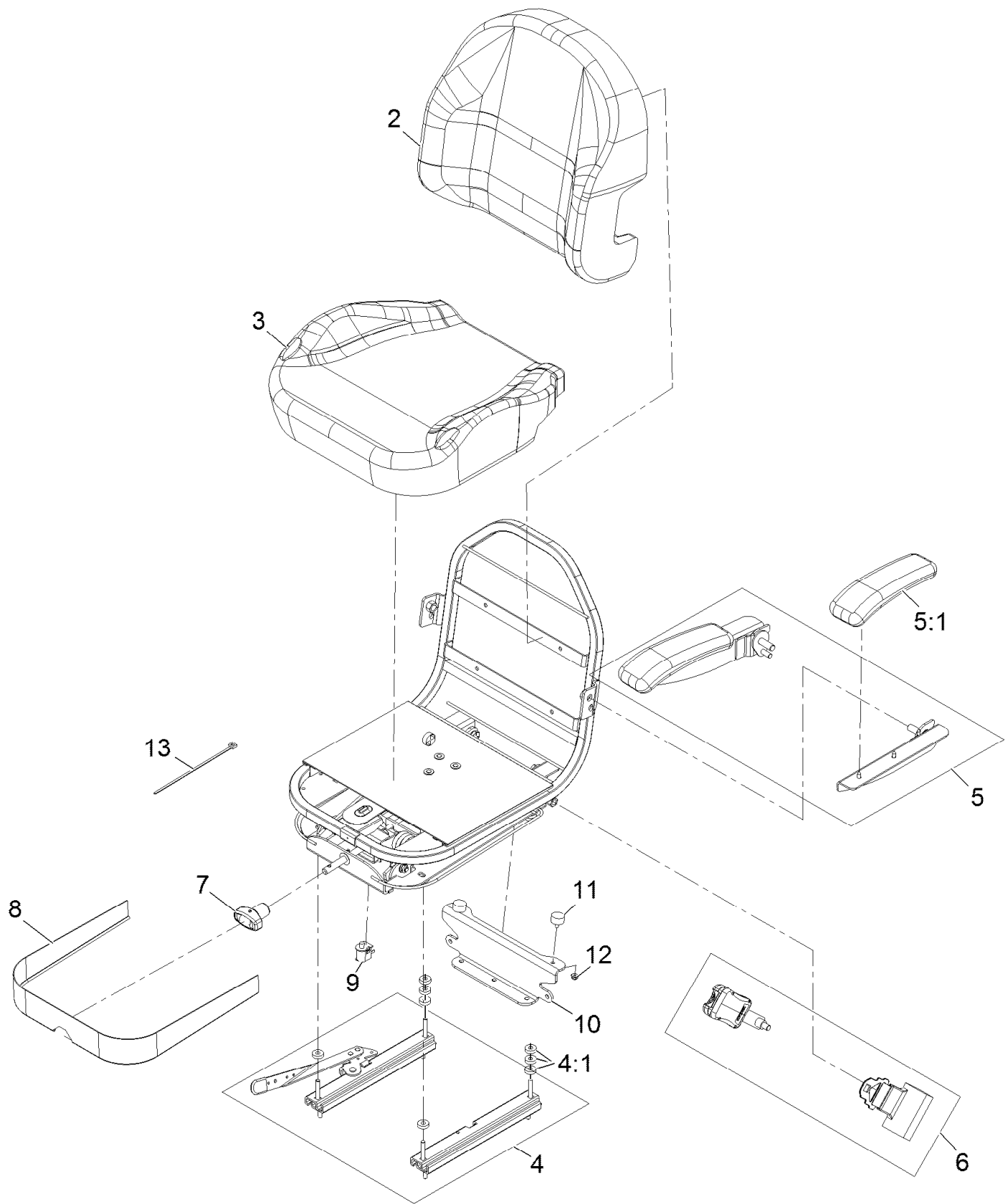
# Seat Assembly



## Seat Assembly (continued)

<i>Ref.</i>	<i>Part Number</i>	<i>Qty.</i>	<i>Description</i>	<i>Ref.</i>	<i>Part Number</i>	<i>Qty.</i>	<i>Description</i>
3	104-7201	4	Nut-Nyloc 1/4-20 Flg	11:2	109-6016	1	Decal-Service Aid
4	104-8300	10	Nut-Nyloc 5/16-18 Flg	12	321-8	1	Screw-HH 1/4-20 X 1 1/4
5	107-3017	1	Spring-Compression	13	3229-2	1	Bolt-Carriage 1/4-20 X 1
6	109-2628	1	Cable-Stop, Seat	14	3230-4	1	Bolt-Carriage 5/16-18 X 1 1/2
7	116-0871	1	Catch,Seat Latch	15	3234-29	3	Screw-HH Flg 5/16-18 X 1
8	116-1297	2	Screw-Shoulder	16	3256-23	1	Washer-5/16 Sae
9	116-3121	1	ASM-Seat Latch	17	126-0480-01	1	Plate-Seat Support
9:2	116-3120	1	Strip-Poly Wear	18	32128-33	2	Nut-Whizlock 1/4-20
10	126-2802	1	Kit-Seat Suspension	19	240-14	2	Bumper-Rubber
11	116-4418	1	Plate, Seat W/Decals				

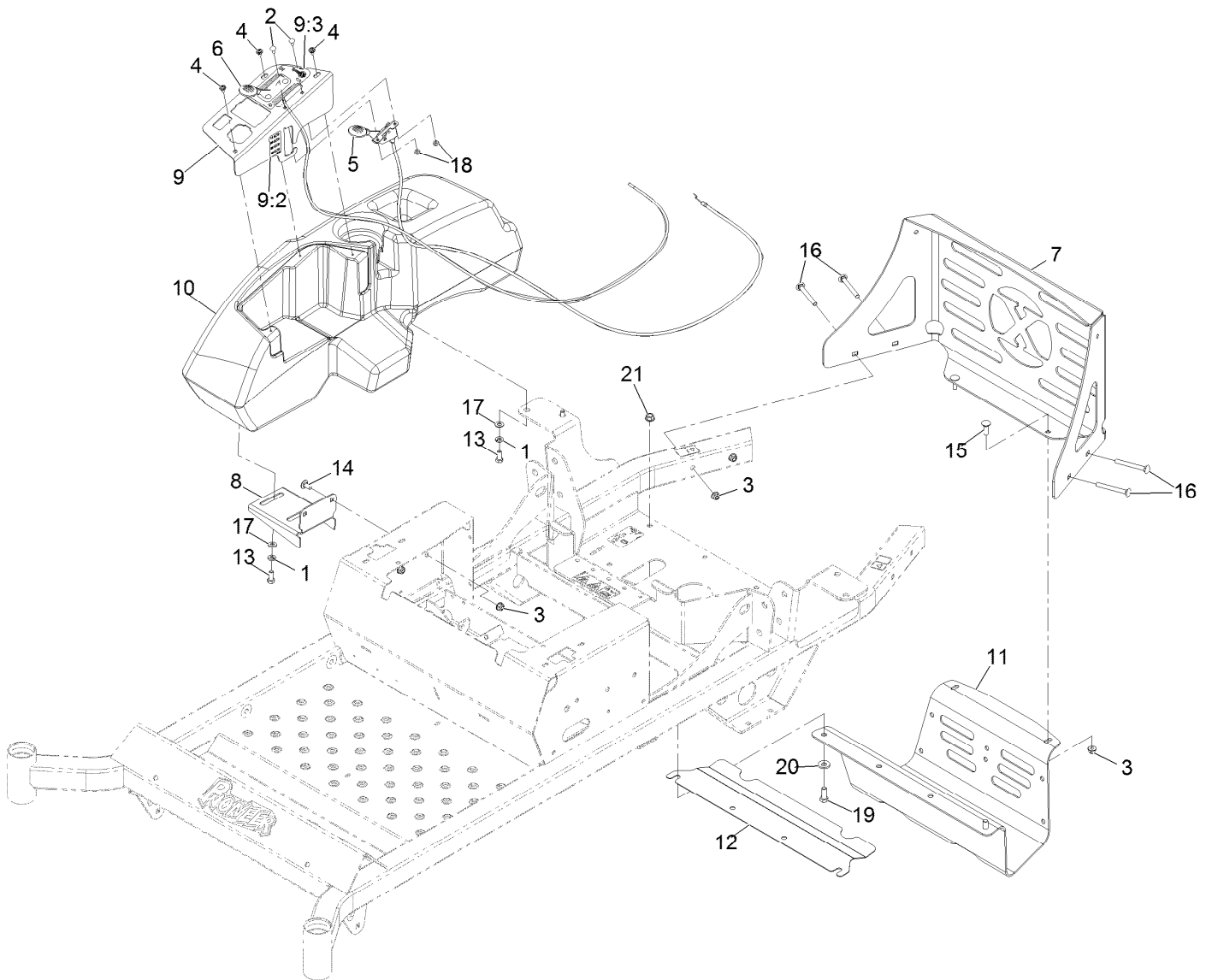
# Seat W/Tracks Assembly No. 126-2802



## Seat W/Tracks Assembly No. 126-2802 (continued)

<i>Ref.</i>	<i>Part Number</i>	<i>Qty.</i>	<i>Description</i>	<i>Ref.</i>	<i>Part Number</i>	<i>Qty.</i>	<i>Description</i>
2	126-3505	1	Cover-Seat Back	7	130-0846	1	Knob-Adjuster
3	130-0848	1	Cover-Cushion	8	126-3506	1	Cover-Skirt W/Fasteners
4	126-3501	1	Kit-Track-Seat 4"	9	82-2190	1	Switch
4:1	26-4840	8	Spacer-Pin, Mounting	10	126-0480-01	1	Plate-Seat Support
5	126-2058	1	Armrest Kit	11	240-14	2	Bumper-Rubber
5:1	110-4163	2	Cushion-Rest, Arm	12	104-7201	2	Nut-Nyloc 1/4-20 Flg
6	126-3504	1	Kit-Seat Belt Service	13	1-303335	1	Tie-Cable 7 15/16 (Large)

# Controls Assembly

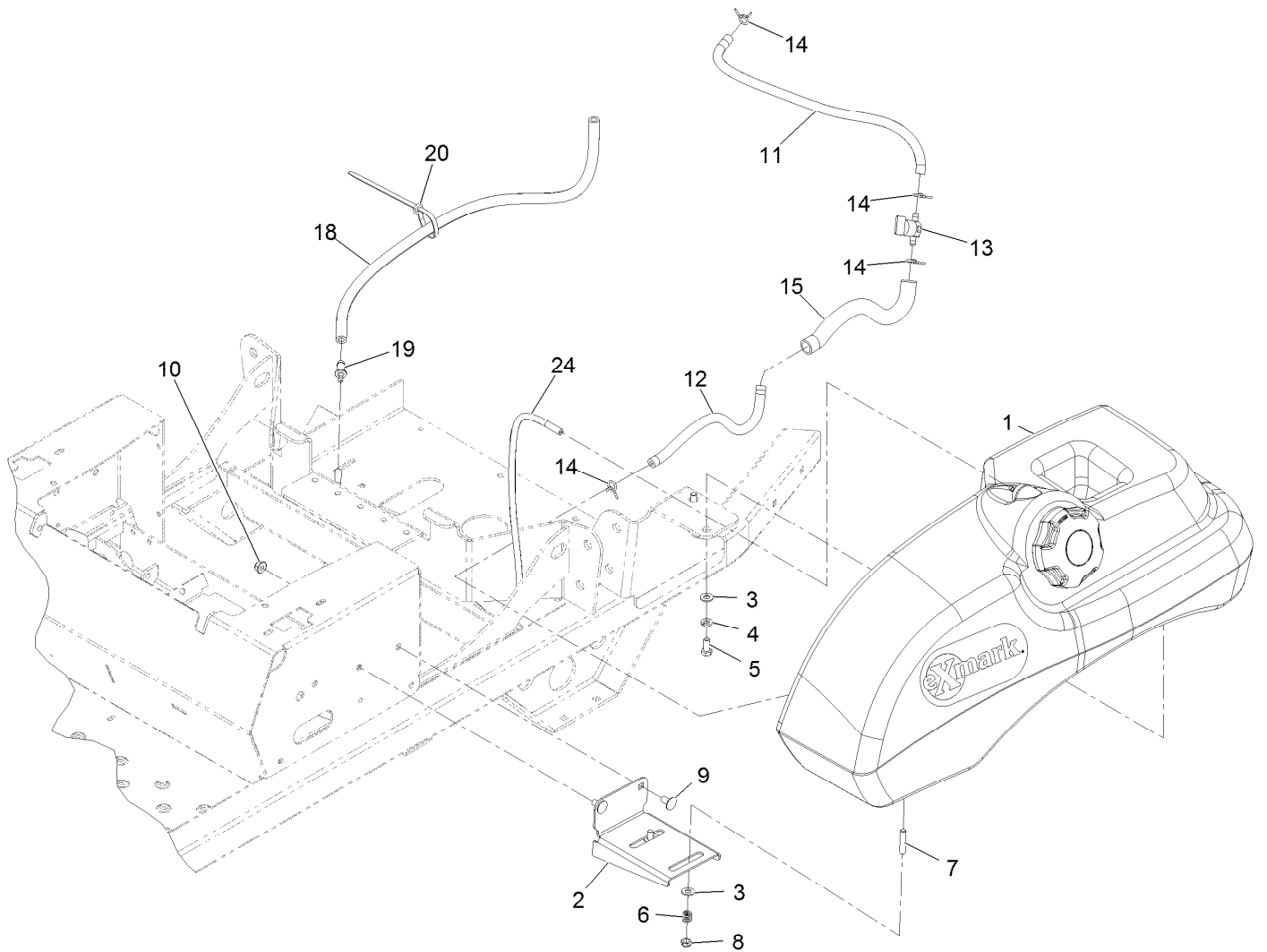




## Controls Assembly (continued)

<i>Ref.</i>	<i>Part Number</i>	<i>Qty.</i>	<i>Description</i>	<i>Ref.</i>	<i>Part Number</i>	<i>Qty.</i>	<i>Description</i>
1	1-805005	4	Washer-Lock 5/16 Heavy	11	126-4275-03	1	Guard, Muffler
2	1-807513	4	Bolt-Carriage #10-24 X 1/2	12	126-0456-03	1	Shield, Heat
3	104-8300	8	Nut-Nyloc 5/16-18 Flg	13	322-3	4	Screw-HH 5/16-18 X 3/4
4	109-2661	3	Screw-PPH #10-24 X 1/2	14	3230-18	2	Bolt-Carriage 5/16-18 X 5/8
5	126-2800	1	Control-Throttle	15	3230-2	2	Bolt-Carriage 5/16-18 X 1
6	109-9147	1	Control-Choke	16	3230-9	4	Bolt-Carriage 5/16-18 X 2 3/4
7	116-3453-03	1	Panel,Rear Guard	17	3256-23	4	Washer-5/16 Sae
8	116-3495-03	1	Bracket-Tank And Fender	18	3296-2	4	Nut-Nyloc #10-24
9	116-9051	1	ASM, Control Panel W/ Decal	19	323-6	2	Screw-HH 3/8-16 X 1
9:2	116-1496	1	Decal,Fuse Block	20	98-5975	2	Washer-Spring Disc 3/8
9:3	116-4465	1	Decal-Throttle Choke	21	3290-357	2	Nut-Whizlock 3/8-16
10	116-4138	1	Console,RH				

# Fuel Tank Mounting Assembly

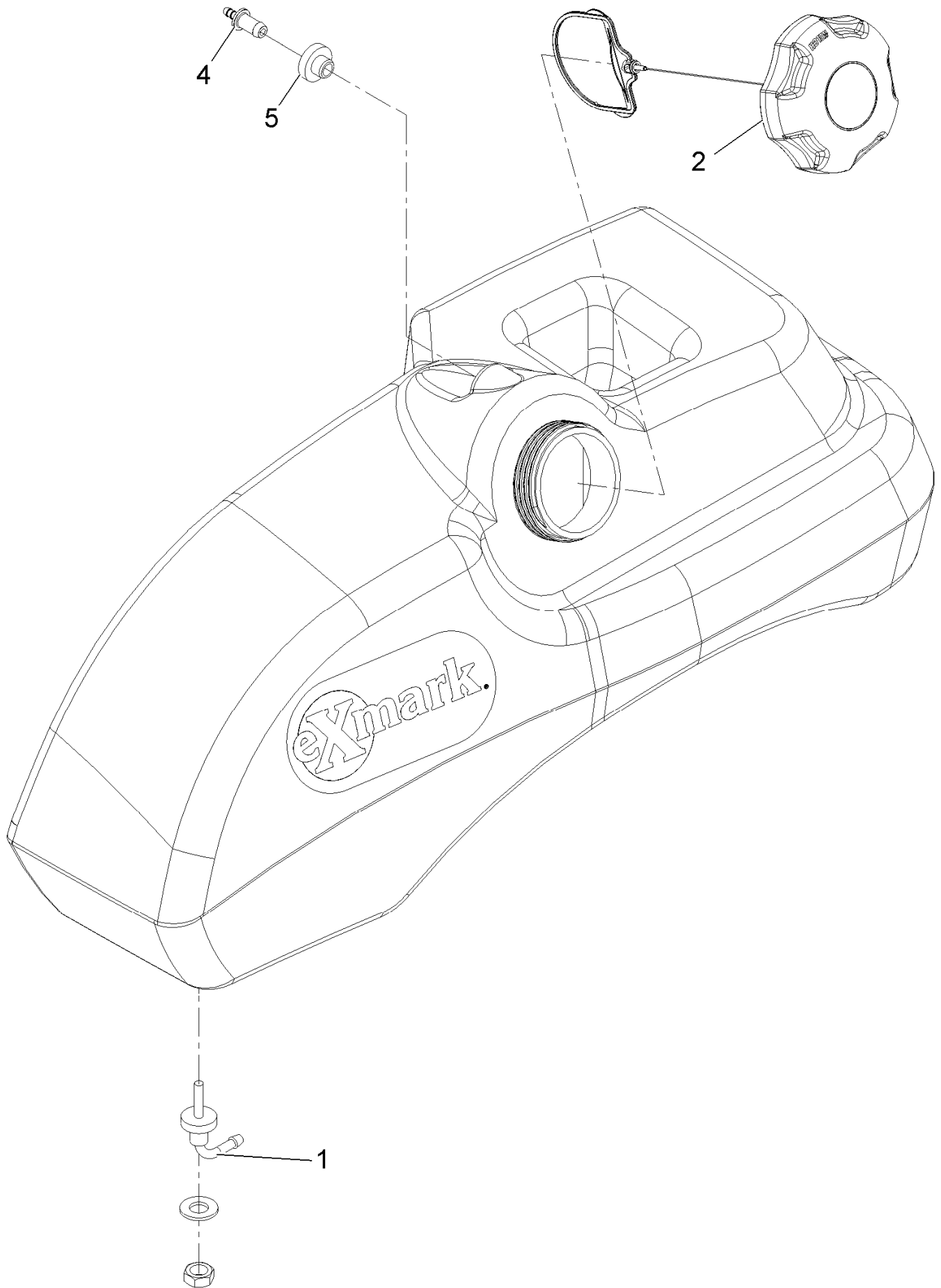


## Fuel Tank Mounting Assembly (continued)

<i>Ref.</i>	<i>Part Number</i>	<i>Qty.</i>	<i>Description</i>	<i>Ref.</i>	<i>Part Number</i>	<i>Qty.</i>	<i>Description</i>
1	116-4610	1	ASM-Fuel Tank	11	110-5706	1	Hose-Fuel
2	116-3495-03	1	Bracket-Tank And Fender	12	109-0282	1	Hose-Fuel
3	3256-23	4	Washer-5/16 Sae	13	1-603770	1	Valve-Fuel
4	1-805005	2	Washer-Lock 5/16 Heavy	14	1-303077	4	Clamp-Fuel Line
5	322-3	2	Screw-HH 5/16-18 X 3/4	15	116-4515	1	Conduit-Fuel Line
6	1-633349	2	Spring-Compression	18	114-0832	1	Hose-Fuel
7	1-633023	2	Stud-Fuel Tank ●	19	116-4630	1	Fitting-Straight Orifice
8	3296-47	2	Nut-Nyloc 5/16-18 Thin	20	1-303335	1	Tie-Plastic
9	3230-18	2	Bolt-Carriage 5/16-18 X 5/8	24	116-4802	1	Hose,Emissions
10	104-8300	2	Nut-Nyloc 5/16-18 Flg				

● Use Pro-Lock, Nut Type (P/N 1-840022, .5ml tube) on threads.

# Fuel Tank Assembly No. 116-4610

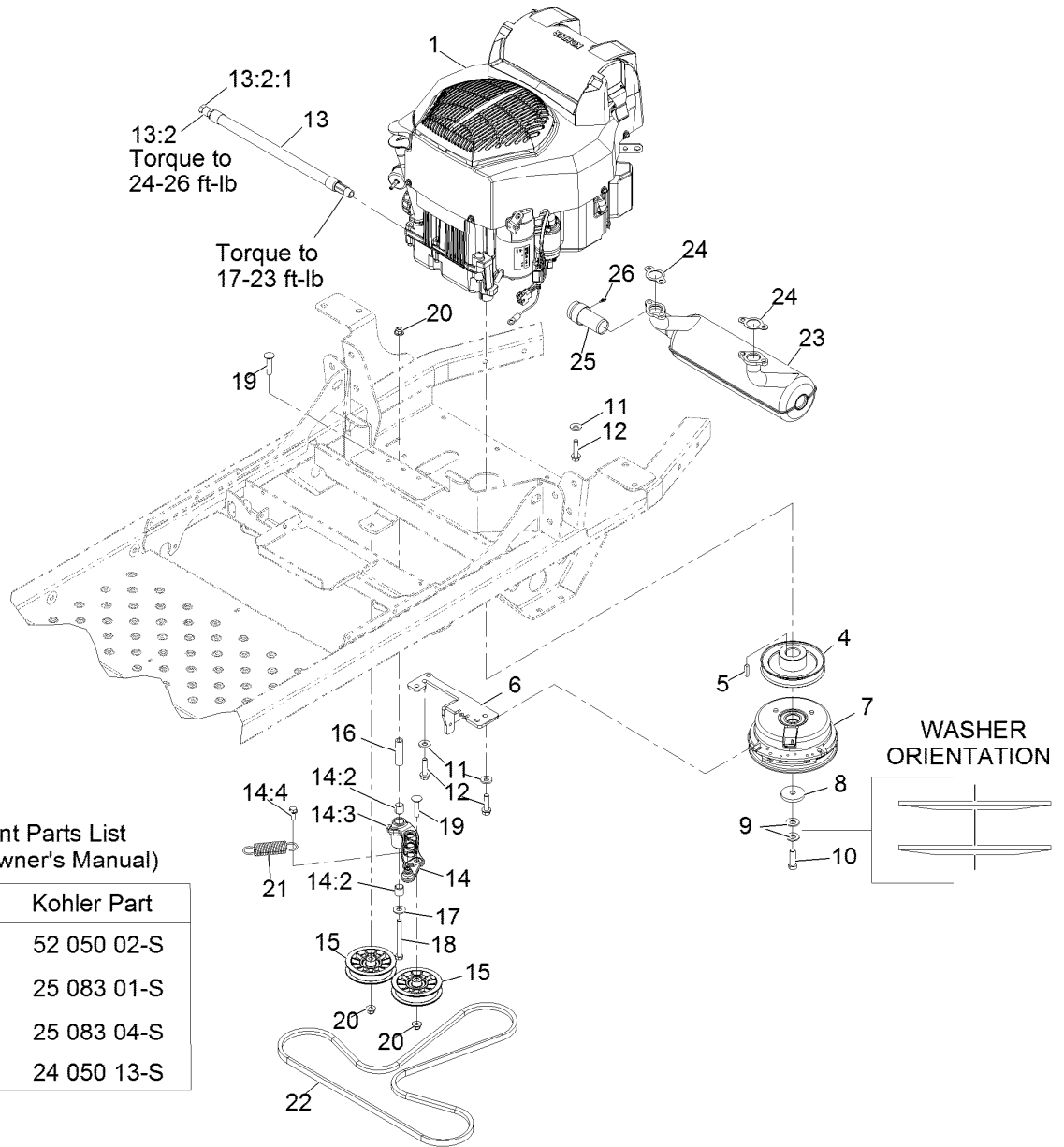


## Fuel Tank Assembly No. 116-4610 (continued)

<i>Ref.</i>	<i>Part Number</i>	<i>Qty.</i>	<i>Description</i>	<i>Ref.</i>	<i>Part Number</i>	<i>Qty.</i>	<i>Description</i>
1	103-2605	1	Fitting-Fuel Bulkhead W/Strainer ●	4	116-4630	1	Fitting-Straight Orifice
2	120-5461	1	Cap-Fuel, Ratcheting	5	46-6560	1	Bushing

● Use Pro-Lock, Nut Type (P/N 1-840022, .5ml tube) on threads.

# Engine Assembly



Kohler Replacement Parts List  
(Refer To Engine Owner's Manual)

Description	Kohler Part
Engine Oil Filter	52 050 02-S
Engine Air Filter	25 083 01-S
Safety Filter	25 083 04-S
Fuel Filter	24 050 13-S

## Engine Assembly (continued)

<i>Ref.</i>	<i>Part Number</i>	<i>Qty.</i>	<i>Description</i>	<i>Ref.</i>	<i>Part Number</i>	<i>Qty.</i>	<i>Description</i>
1		1	Engine - Kohler Zt740 ●■	14:2	1-513034	2	Sleeve-Bearing
4	116-1946	1	Sheave-Pump, Drive	14:3	302-40	1	Zerk-90° 1/4-28
5	1-807259	1	Key-Machine 1/4 X 1/4 X 1	14:4	32144-11	1	Screw-HWH 5/16-18 X 3/4 Tf
6	116-4773-03	1	Anchor-Clutch	15	116-2456	2	Pulley-Flat, 3.50 Dia
7	116-1604	1	Clutch	16	1-603384	1	Bushing-Pivot, Idler
8	109-6919	1	Washer-Clutch	17	3256-4	1	Washer-3/8 Std
9	1-603610	2	Washer-Spring Disc 7/16	18	323-15	1	Screw-HH 3/8-16 X 3 1/2
10	109-9761	1	Screw-HH 7/16-20 X 1 1/2 W/Loctite ◆	19	3231-5	2	Bolt-Carriage 3/8-16 X 1 3/4
11	98-5975	4	Washer-Spring Disc 3/8	20	104-8301	3	Nut-Nyloc 3/8-16 Flg
12	32144-102	4	Screw-HWH 3/8-16 X 1 1/2 Taptite	21	1-603402	1	Spring-Extension
13	116-5316	1	Oil Drain Hose ASM	22	115-9613	1	V-Belt
13:2	353-508	1	Plug-W/O-Ring	23	126-1477	1	Muffler, Kohler ▲
13:2:1	237-42	1	O-Ring	24	110-6697	2	Gasket-Exhaust
14	126-0973	1	ASM-Idler Arm W/Bearings	25	126-0268	1	Arrestor-Spark
				26	126-0275	1	Screw-HWH

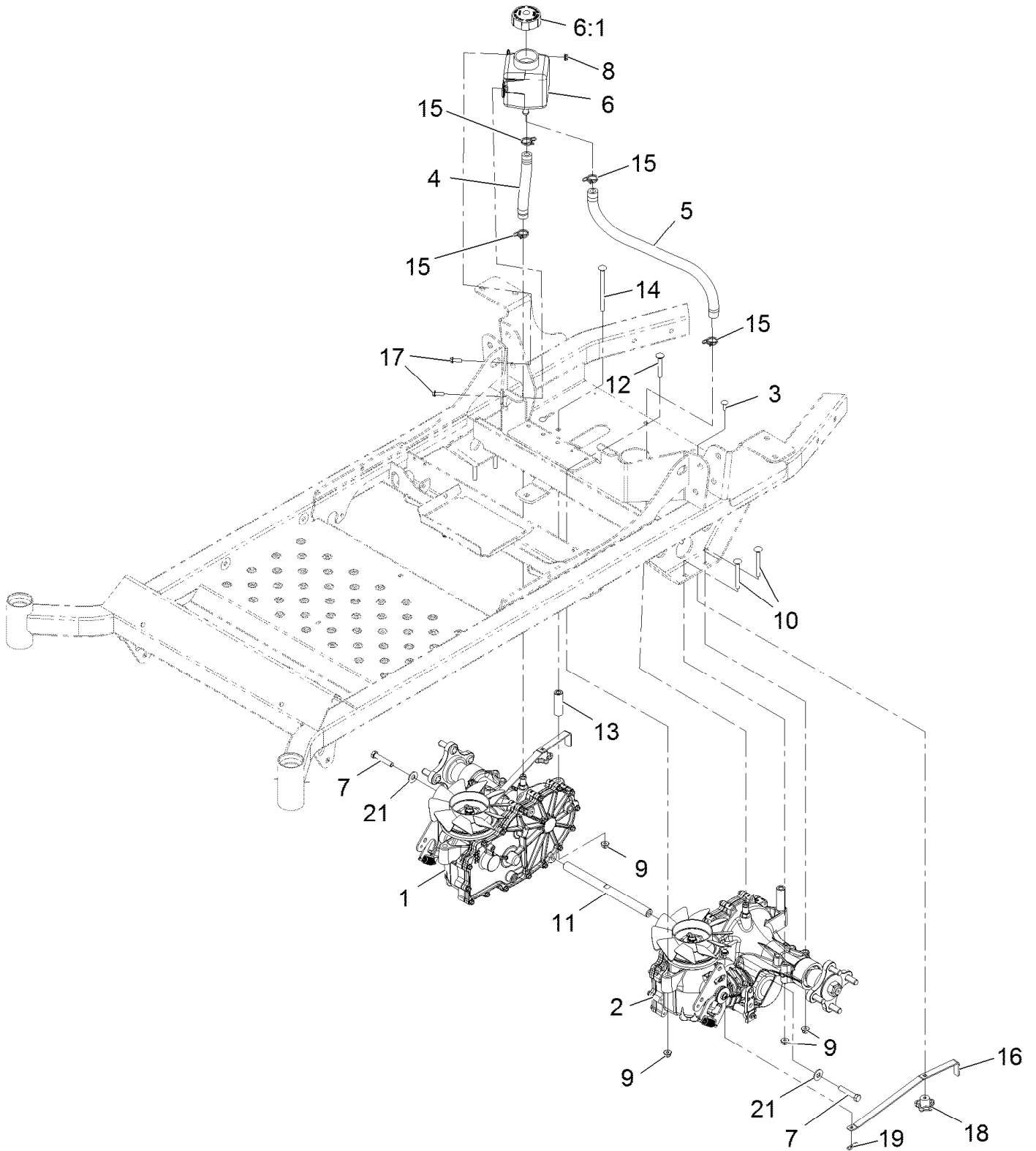
● Not serviced separately

▲ Includes spark arrestor and mounting screw.

◆ Use Pro-Lock, Nut Type (P/N 1-840022, .5ml tube) on threads.

■ Obtain parts from [www.kohlerplus.com](http://www.kohlerplus.com)

# Hydraulic Assembly



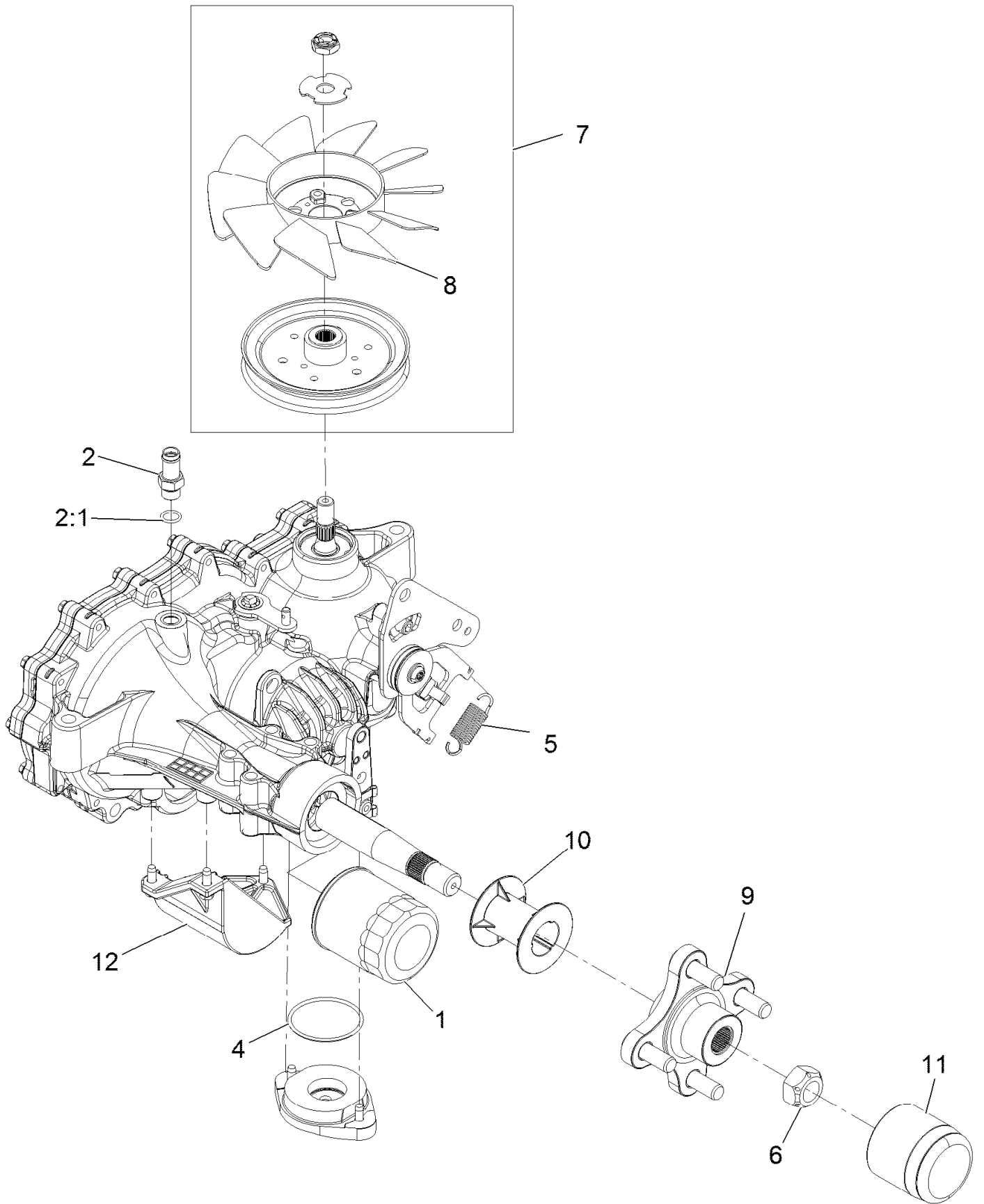


## Hydraulic Assembly (continued)

<i>Ref.</i>	<i>Part Number</i>	<i>Qty.</i>	<i>Description</i>	<i>Ref.</i>	<i>Part Number</i>	<i>Qty.</i>	<i>Description</i>
1	116-6007	1	Transaxle ASM	11	116-6833	1	Shaft-Spacer
2	116-6008	1	Transaxle ASM	12	3230-7	2	Bolt-CARR
3	3229-1	2	Bolt-CARR	13	116-5809	2	Spacer-Hydro
4	116-5641	1	Hose-Hydraulic	14	3230-30	2	Screw-CARR
5	116-5642	1	Hose-Hydraulic	15	126-0327	4	Clamp-Hose
6	109-2250	1	Vent-Tank, HYD	16	109-5395	2	Arm-Hydro Bypass
6:1	109-3320	1	Cap-Reservoir, HYD	17	32105-15	2	Screw-HWH
7	94-7972	2	Screw-HH W/Loctite ●	18	108-6402	2	Knob-Handle
8	104-7201	2	Nut-Flange, NI	19	1-806003	2	Pin-Cotter
9	104-8300	8	Nut-Flange, NI	21	3256-4	2	Washer-Flat
10	3230-9	4	Screw-CARR				

● Use Pro-Lock, Nut Type (P/N 1-840022, .5ml tube) on threads.

# RH Transaxle Assembly

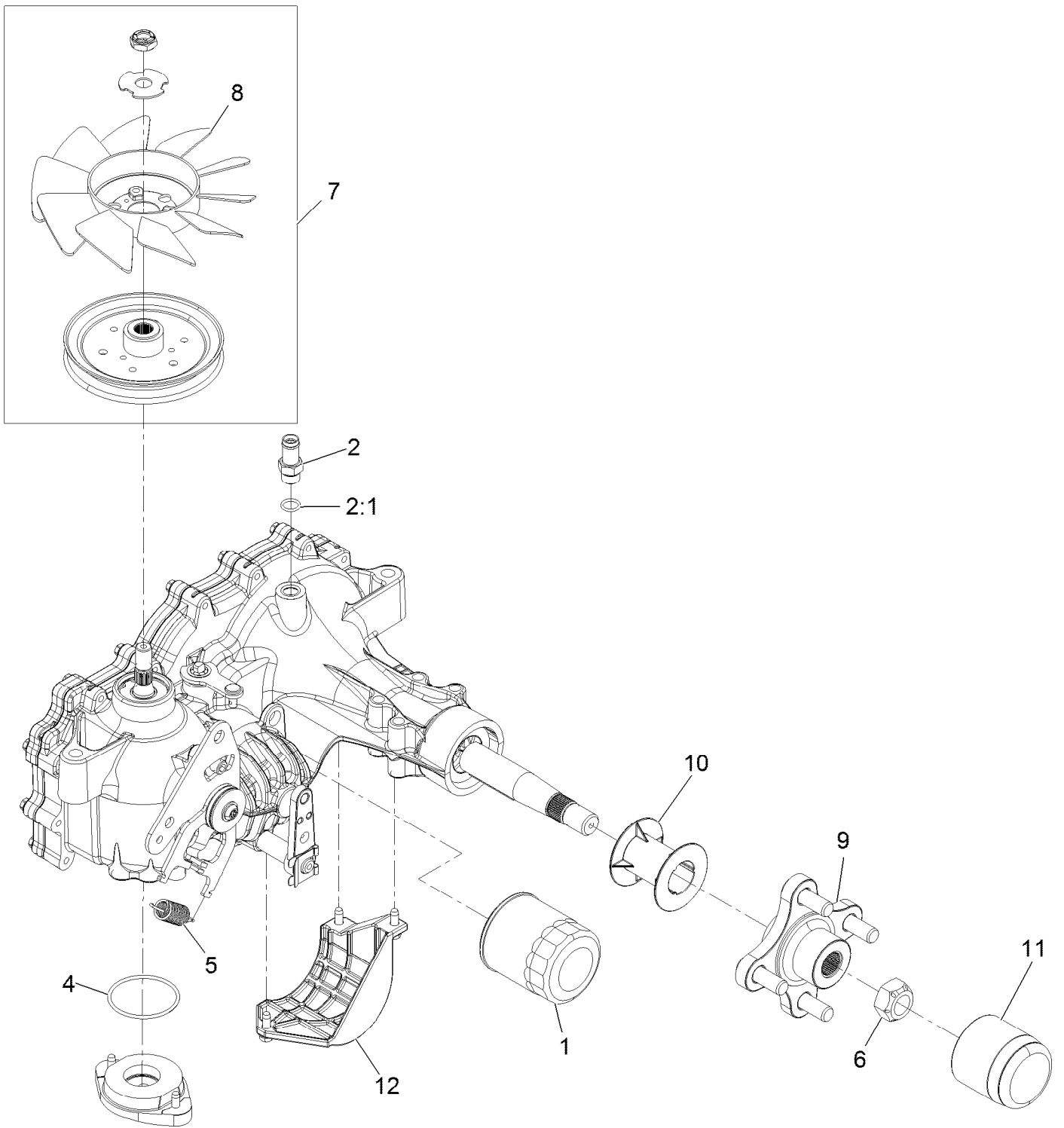


## RH Transaxle Assembly (continued)

<i>Ref.</i>	<i>Part Number</i>	<i>Qty.</i>	<i>Description</i>	<i>Ref.</i>	<i>Part Number</i>	<i>Qty.</i>	<i>Description</i>
1	109-3321	1	Element-Oil Filter, HYD	8	114-8453	1	Fan-7.0
2	109-3278	1	Adapter-Straight	9	116-3872	1	Hub-Offset
2:1	237-42	1	O-Ring	10	116-6213	1	Tube-Axle 2.04
4	109-3540	1	O Ring-Seal	11	116-6214	1	Cap-Long Axle
5	109-5592	1	Spring-Extension	12	120-7981	1	Guard-Filter, RH
6	109-3536	1	Nut-Hub	99	109-3537	1	Seal Kit ●
7	121-3247	1	Fan And Pulley Kit				

● Not illustrated

# LH Transaxle Assembly

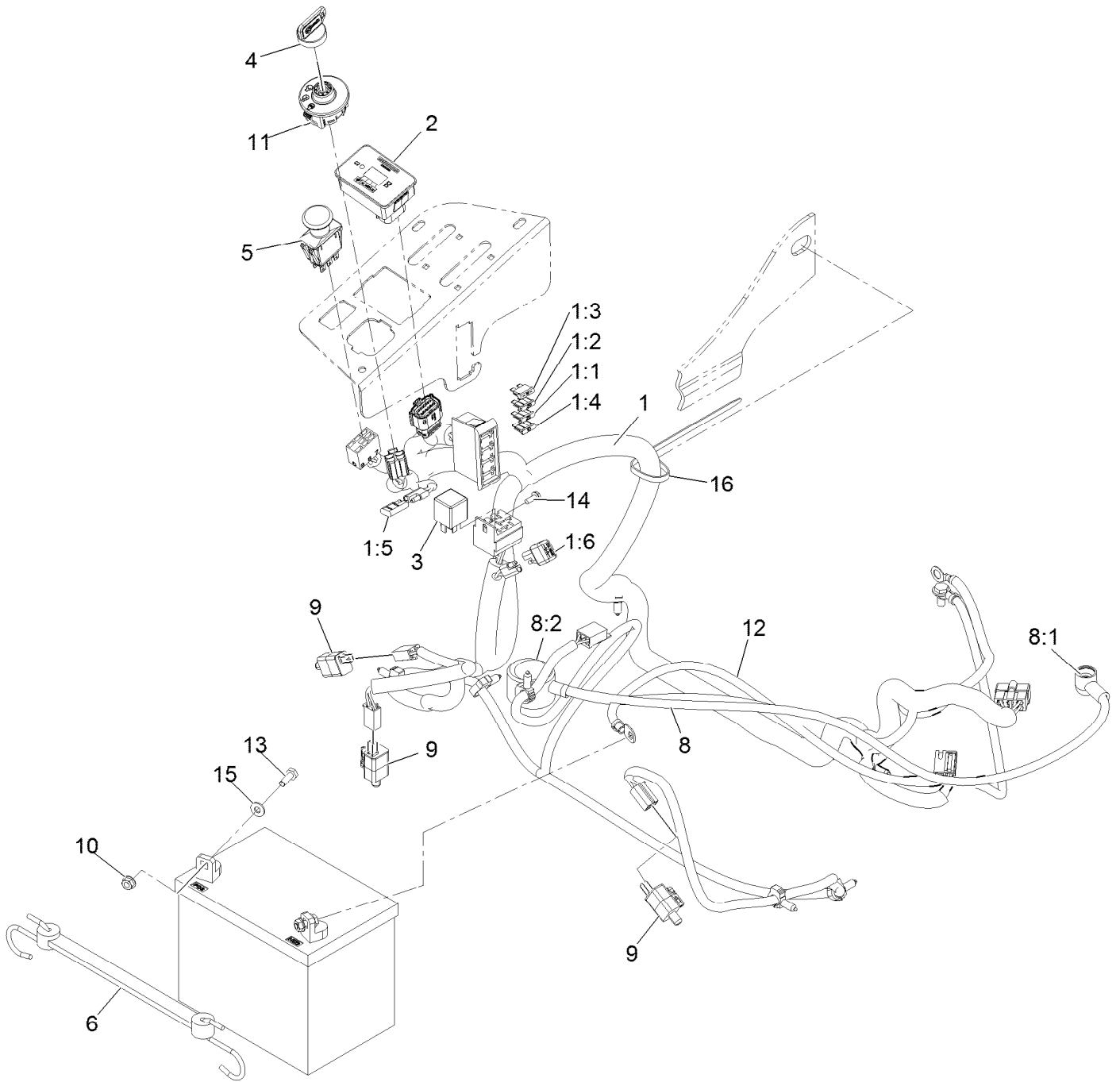


## LH Transaxle Assembly (continued)

<i>Ref.</i>	<i>Part Number</i>	<i>Qty.</i>	<i>Description</i>	<i>Ref.</i>	<i>Part Number</i>	<i>Qty.</i>	<i>Description</i>
1	109-3321	1	Filter-Hydraulic	8	114-8453	1	Fan-7.0
2	109-3278	1	Adapter-Straight	9	116-3872	1	Hub-Offset
2:1	237-42	1	O-Ring	10	116-6213	1	Tube-Axle 2.04
4	109-3540	1	O-Ring-Charge Seal Cover	11	116-6214	1	Cap-Long Axle
5	109-5592	1	Spring	12	120-7979	1	Guard-Filter, LH
6	109-3536	1	Nut-Hub	99	109-3537	1	Seal Kit ●
7	121-3247	1	Fan And Pulley Kit				

● Not illustrated

# Electrical Assembly



## Electrical Assembly (continued)

<i>Ref.</i>	<i>Part Number</i>	<i>Qty.</i>	<i>Description</i>	<i>Ref.</i>	<i>Part Number</i>	<i>Qty.</i>	<i>Description</i>
1	116-4861	1	Harness, Wire ●	8	109-7630	1	Positive Battery Cable ASM
1:1	109102	1	Fuse-Blade, 25 Amp	8:1	109-2407	1	Insulator-Battery
1:2	1-816001	1	Fuse-Blade Type, 20 Amp	8:2	1-543393	1	Insulator-Solenoid
1:3	109355	1	Fuse-Blade, 15 Amp	9	110-6765	3	Switch
1:4	218-578	1	Fuse-Blade, 10 Amp	10	32128-33	2	Nut-Whizlock 1/4-20
1:5	116-0053	1	Cap-Plug	11	117-2221	1	Switch-Ignition
1:6	103-3895	1	Diode	12	117-7240	1	Cable-Battery, Negative
2	116-5609	1	Module ASM	13	321-4	2	Screw-HH 1/4-20 X 3/4
3	1-643275	1	Relay-12Vdc 40 Amp	14	32144-1	1	Screw-HWH #10-24 X 1/2 Taptite
4	1-603511	1	Key-Ignition	15	3256-22	2	Washer-1/4 Sae
4	103-2106	1	Key-Exmark Logo	16	1-303335	1	Tie-Cable 7 15/16 (Large)
5	103-5221	1	Switch-PTO				
6	104-2466	1	Holddown-Battery				

● Use dielectric grease on all unsealed connectors and terminals only. Do not apply in sealed connectors.

**Notes:**



**Notes:**

**Notes:**



# MAXIMIZE THE PERFORMANCE OF YOUR EXMARK MACHINE.



## EXMARK® PREMIUM ENGINE OIL

Exmark now offers a family of engine oil viscosities to perform well in any environment. Each viscosity has the same synthetic formulation to give you what you need in punishing conditions. We designed each grade to the highest quality, making it ideal even for diesel applications. Coupled with Exmark Premium Fuel Treatment, we have the performance products to make your machine hum.

### EXMARK PREMIUM ENGINE OIL SAE 30/10W-30

- Meets zero shear requirements of a straight grade SAE 30 as well as the cold temp properties of a 10W-30.
- Most versatile oil in the industry.
- Superior corrosion protection over conventional oil - even in corrosive, humid environments.

### EXMARK PREMIUM ENGINE OIL SAE 20W-50

- Perfect for your big block engine, or any application in severe service.
- Same full synthetic formulation as all other Exmark Premium viscosities.
- Also effective for use in severe service small block engines.

### EXMARK PREMIUM ENGINE OIL SAE 10W-50

- Full synthetic formulation gives you peak performance. Don't settle for less.
- Wide span multi-grade combines easy starting in cold weather with maximum protection in high temperature operation.
- Reduce friction & wear over standard mineral formulations.

### EXMARK PREMIUM ENGINE OIL SAE 0W-40

- The perfect choice for when the weather turns cold or unpredictable, and your Exmark UTV has to perform.
- Commercial quality for severe service.
- Advanced additive package helps prevent corrosion from long-term storage.

### EXMARK PREMIUM ENGINE OIL UTV FORMULATION

- 4-cycle high-temp formulation.
- Heavier viscosity, full synthetic, perfect for your UTV.

### EXMARK PREMIUM UTV EXTREME CONDITIONS GEAR OIL

- SAE 80W-90, designed to keep your UTV performing at its peak.
- Shear stable, hypoid gear lube.
- Includes a premium additive system to combat wear, oxidation, rust & corrosion.

*Available from your local Exmark dealer. Find your closest dealer at [exmark.com](http://exmark.com)*

## EXMARK ACCESSORIES AND OPTIONS\*

### MID-MOUNT RIDING ACCESSORIES AND OPTIONS

CUSTOM RIDE SEAT SUSPENSION SYSTEM	OPERATOR CONTROLLED DISCHARGE
FULL SUSPENSION SEAT	SUN SHADE
DECK LIFT ASSIST KIT	TRASH CONTAINER
HITCH KIT	TURF STRIPER
LIGHT KIT	ULTRA VAC COLLECTION SYSTEM
12V POWER PORT	ULTRA VAC QUICK DISPOSAL SYSTEM
MICRO-MULCH SYSTEM	

### OUT-FRONT RIDING ACCESSORIES AND OPTIONS

CUSTOM RIDE SEAT SUSPENSION SYSTEM	SNOW BLADE
DUAL-TAIL WHEEL	SNOWBLOWER
FLOOR PAN EXTENDER	SUN SHADE
HITCH KIT	TRASH CONTAINER
LIGHT KIT	ULTRA VAC COLLECTION SYSTEM
MICRO-MULCH SYSTEM	ULTRA VAC QUICK DISPOSAL SYSTEM
ROLL OVER PROTECTION SYSTEM (ROPS)	WEATHER CAB

### WALK-BEHIND ACCESSORIES AND OPTIONS

GRASS CATCHER	TURF STRIPER
MICRO-MULCH SYSTEM	STANDON

\*Some accessories and options not available for some models.

Place Model No. and Serial No.  
Label Here (Included in the Literature  
Pack) or Fill in Below

Model No. \_\_\_\_\_

Serial No. \_\_\_\_\_

Date Purchased \_\_\_\_\_

Engine Model No. and Spec. No. \_\_\_\_\_

Engine Serial No. (E/No) \_\_\_\_\_

© 2015 Exmark Mfg. Co., Inc.  
Industrial Park Box 808  
Beatrice, NE 68310  
All Rights Reserved

Part No. 4502-663 Rev. A  
(402) 223-6285  
Fax (402) 223-5489  
Printed in the USA.

