

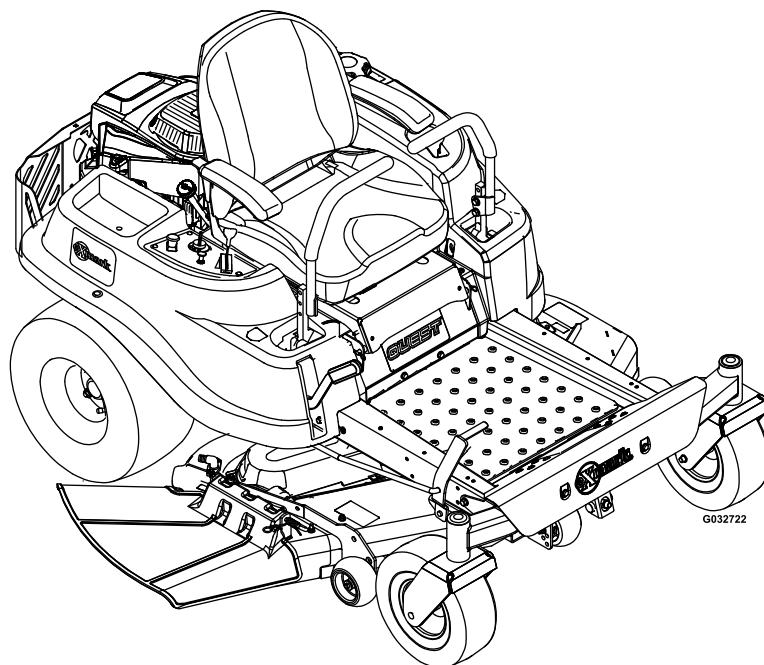


QUEST®

DRIVE LEVER

Model No. QTS708GEM50200—Serial No. 31600000 and Up

Picture below may not reflect actual product.



Parts Manual

Ordering Replacement Parts

To order replacement parts, please supply the part number, the quantity, and the description of each part desired.

Understanding Reference Numbers

Each identified part in an illustration has a reference number. The reference number for a part also appears in the parts list, along with other information about the part.

This catalog uses two special reference number formats, one to indicate parts in a service assembly and another to indicate the quantity of a given part in an illustration.

Service Assembly Reference Numbers

Parts in service assemblies have reference numbers in the form a:b. The a represents the reference number of the entire service assembly and the b represents a sequential number unique to each part within the service assembly.

For example, a wheel assembly might be identified by reference number 6, the tire by 6:1, the valve by 6:2, and the wheel by 6:3. When you order the assembly identified by reference number 6, you receive all parts identified by reference numbers 6:1, 6:2, and 6:3. However, you may also order any part individually. Reference numbers of this type appear in illustration and in parts lists.

Reference Numbers Indicating Quantity

In an illustration, if a reference number indicates more than one part, the reference number has the form nX y. The n represents the quantity of the part, the X is the multiplication symbol, and the y represents the reference number.

For example, in an illustration, the reference number 2X 37 means that two of the parts identified by reference number 37 are indicated.

Touch Up Paint

Exmark black touch up spray paint – gloss black.

Exmark red touch up paint (spray paint – P/N 1-850337 - .6 oz liquid bottle – P/N 103-9140).

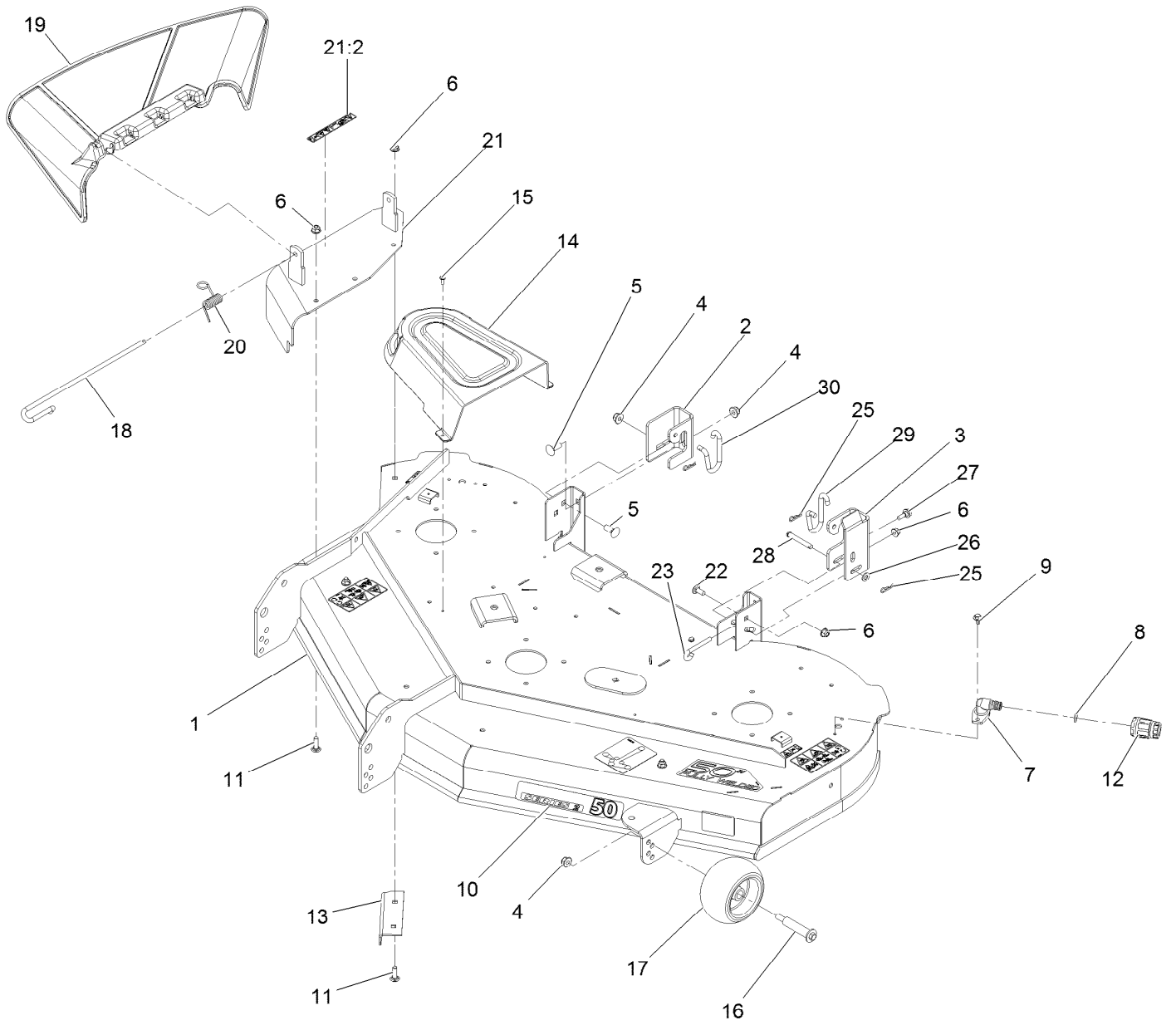


If your Exmark dealer does not have the Exmark part in stock, Exmark will get the parts to the dealer the next business day or the part will be FREE Guaranteed!! (Some restrictions apply. See your participating Exmark Dealer for details.)

Contents

Deck Assembly	4
50 Inch Deck and Decal Assembly No. 131-3614	6
50 Inch Deck Belt, Spindle and Blade Assembly	8
Main Frame and Front Axle Assembly	10
13 Inch Wheel and Tire Assembly No. 119-3473	12
Deck Lift Assembly	14
Motion Control Assembly	16
Brake Assembly	18
Seat Assembly	20
Seat Assembly (cont)	22
Engine Assembly	24
Controls and Fuel Tank Assembly	26
Fuel Delivery Assembly	28
Fuel System Assembly	30
Carburetor Assembly No. 127-9249	32
Air Intake and Filtration Assembly Engine Assembly No. 127-9041	34
Ignition and Electrical Assembly Engine Assembly No. 127-9041	36
Crankcase and Crankshaft Assembly Engine Assembly No. 127-9041	38
Governor Control Assembly Engine Assembly No. 127-9041	40
Piston and Cylinder Head Assembly Engine Assembly No. 127-9041	42
Blower Housing Assembly Engine Assembly No. 127-9041	44
Gasket and Seal Kit Engine Assembly No. 127-9041	46
2 Ply Wheel and Tire Assembly No. 131-3673	48
Clutch Assembly	50
Belt and Idler Assembly	52
Hydro Transaxle Drive and Rear Wheel Assembly	54
LH Transaxle Assembly No. 130-6960	56
RH Transaxle Assembly No. 130-6961	58
Electrical Assembly	60
Fuse and Wire Harness Assembly	62

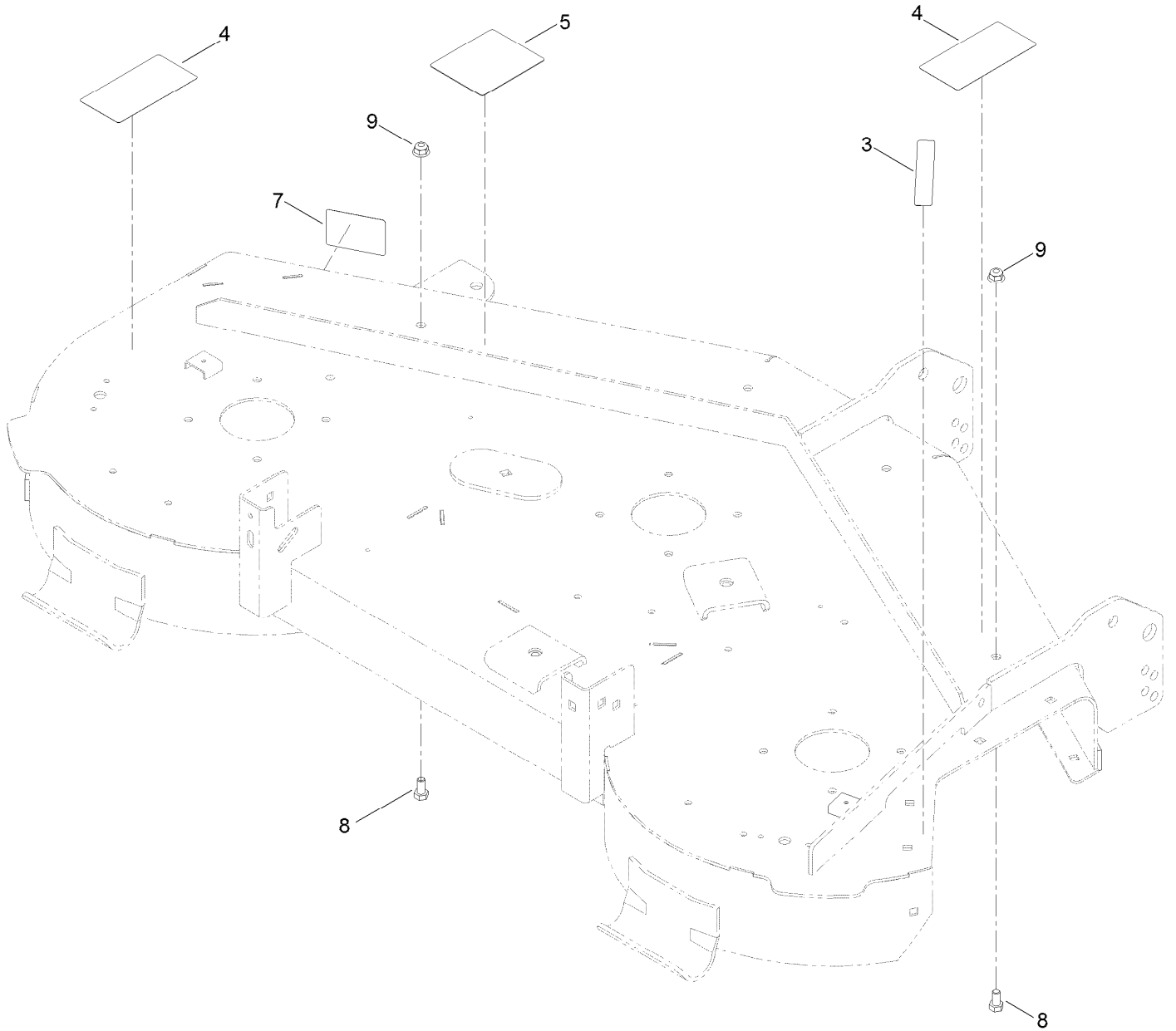
Deck Assembly



Deck Assembly (continued)

<i>Ref.</i>	<i>Part Number</i>	<i>Qty.</i>	<i>Description</i>	<i>Ref.</i>	<i>Part Number</i>	<i>Qty.</i>	<i>Description</i>
1	131-3614	1	Deck And Decal ASM	16	112-3977	3	Bolt-HH Shoulder 3/8-16 X 3.79
2	131-4138	1	Bracket-Hanger, RH	17	1-603299	3	Roller-Scalp, Anti
3	131-3935	1	Bracket-Hanger, LH	18	109-8854	1	Pin-Chute
4	104-8301	5	Nut-Nyloc 3/8-16 Flg	19	121-0739	1	Deflector-Discharge
5	3231-2	2	Bolt-Carriage 3/8-16 X 1	20	121-2983	1	Spring-Torsion
6	104-8300	6	Nut-Nyloc 5/16-18 Flg	21	131-3962	1	Cover ASM W/Decal
7	95-2747	2	Fitting-Washout	21:2	93-7009	1	Decal-Danger
8	46-6290	2	O-Ring	22	3230-23	1	Bolt-Carriage 5/16-18 X 3/4 Short Neck
9	46-8560	4	Screw-HHF 1/4-20 X 1/2	23	131-0955	1	Rod-Level, Deck
10	126-1770	1	Decal-Series 2 - 50	25	1-806003	3	Hairpin-Cotter
11	3230-22	4	Bolt-Carriage 5/16-18 X 1 Sp	26	3256-23	1	Washer-5/16 SAE
12	95-3270	1	Connector-Hose	27	120-7024	1	Screw-Shoulder, HHF
13	120-7951-03	1	Baffle-Cutoff	28	110-0618	1	Pin-Clevis
14	108-7890	2	Cover-Belt	29	131-8734	1	Link-Retention, Deck (RH)
15	32144-1	6	Screw-HWH #10-24 X 1/2 Taptite	30	131-4131	1	Link-Retention, Deck (LH)

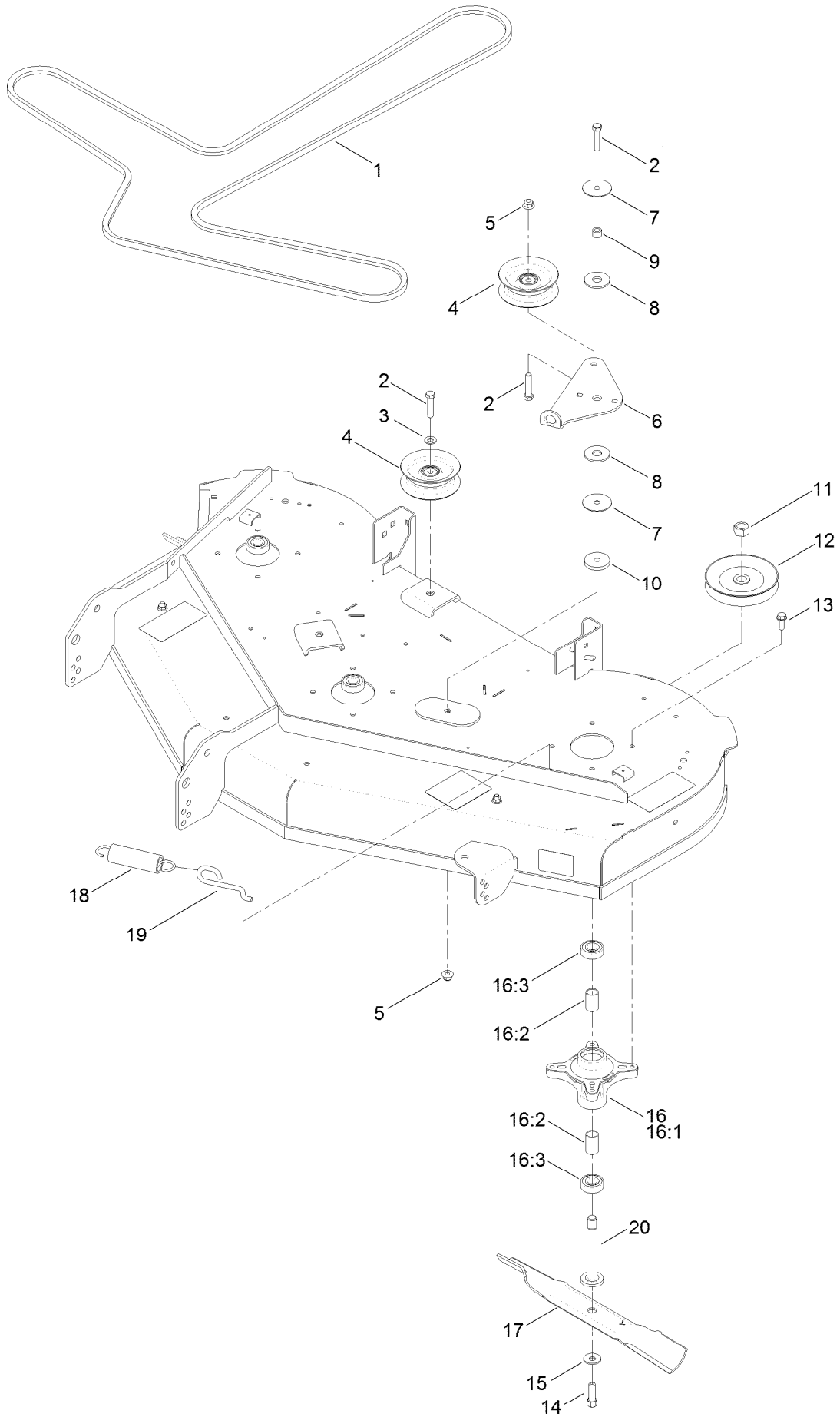
50 Inch Deck and Decal Assembly No. 131-3614



50 Inch Deck and Decal Assembly No. 131-3614 (continued)

<i>Ref.</i>	<i>Part Number</i>	<i>Qty.</i>	<i>Description</i>	<i>Ref.</i>	<i>Part Number</i>	<i>Qty.</i>	<i>Description</i>
3	93-7009	1	Decal-Danger	7	112-9840	1	Decal-Scalp, Anti
4	132-0872	2	Decal-Danger, Deck	8	322-2	2	Screw-HH
5	99-3943	1	Decal-Routing, Belt	9	104-8300	2	Nut-Flange, NI

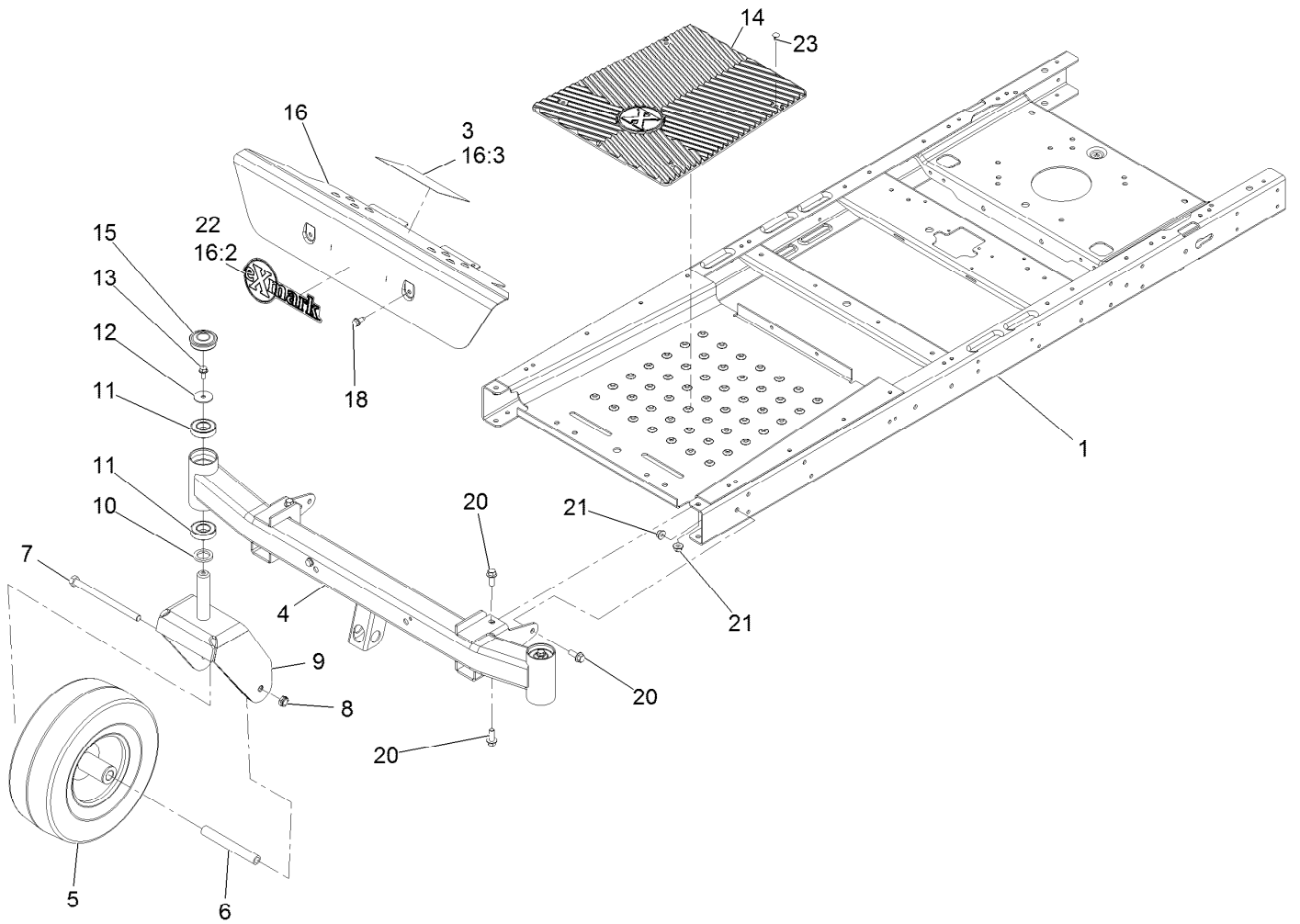
50 Inch Deck Belt, Spindle and Blade Assembly



50 Inch Deck Belt, Spindle and Blade Assembly (continued)

<i>Ref.</i>	<i>Part Number</i>	<i>Qty.</i>	<i>Description</i>	<i>Ref.</i>	<i>Part Number</i>	<i>Qty.</i>	<i>Description</i>
1	119-8820	1	V-Belt	13	32144-41	12	Screw-Taptite
2	323-9	4	Screw-HH	14	26-0671	3	Screw-HH
3	3256-24	2	Washer-Flat	15	3290-465	3	Washer-Belleville
4	106-2175	3	Pulley-Idler, Flat	16	121-0751	3	Spindle ASM
5	104-8301	2	Nut-Hex Flg	16:1	117-7267	1	Spindle
6	114-8540	1	Arm-Idler	16:2	120-7935	2	Spacer
7	120-2229	2	Washer	16:3	38-7820	2	Bearing-Ball
8	114-0463	2	Washer-Friction, Composite	17	115-5059-03	3	Blade-Hi Lift
9	115-4986	1	Spacer	18	1-603414	1	Spring-Extension
10	110-9981	1	Washer-Plain	19	112-3973	1	Hook-Return, Spring
11	3219-6	3	Nut-Hex	20	117-7268	3	Shaft-Spindle
12	125-5575	3	Pulley				

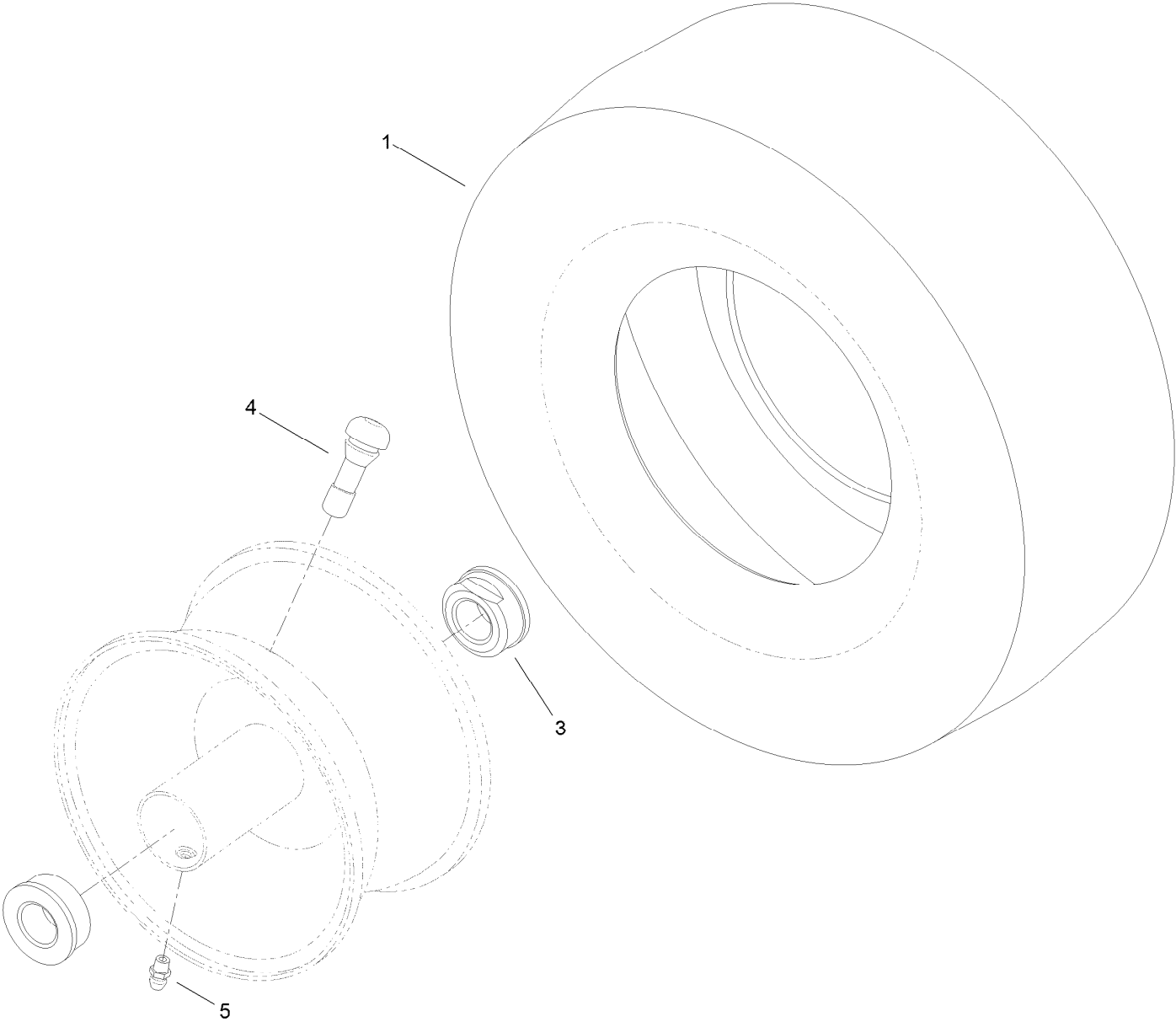
Main Frame and Front Axle Assembly



Main Frame and Front Axle Assembly (continued)

<i>Ref.</i>	<i>Part Number</i>	<i>Qty.</i>	<i>Description</i>	<i>Ref.</i>	<i>Part Number</i>	<i>Qty.</i>	<i>Description</i>
1	130-0699-01	1	Frame ASM	13	3234-47	2	Screw-HH Flg 5/16-18 X 3/4
3	132-0869	1	Decal-Danger	14	132-6896	1	Floor Mat- Exmark
4	125-1726-01	1	Axle ASM	15	116-4348	2	Cap-Grease
5	119-3473	2	13 Inch Wheel And Tire ASM	16	133-1159	1	Footrest ASM
6	119-3475	2	Spanner	16:2	126-6969	1	Decal-Exmark Logo
7	325-37	2	Screw-HH	16:3	132-0869	1	Decal-Danger
8	3296-45	2	Nut-Nyloc 1/2-13 Thin	18	32144-70	2	Screw-HWH 5/16-18 X 3/4 Tf
9	119-3349-01	2	Fork-Caster	20	3234-42	6	Screw HHF 3/8-16 X 1
10	117-7394	2	Washer-Thrust	21	104-8301	6	Nut-Nyloc 3/8-16 Flg
11	109-3678	4	Bearing-Ball	22	126-6969	1	Decal-Exmark Logo
12	3256-68	2	Washer-Flat	23	117-2382	4	Plug-Plastic

13 Inch Wheel and Tire Assembly No. 119-3473

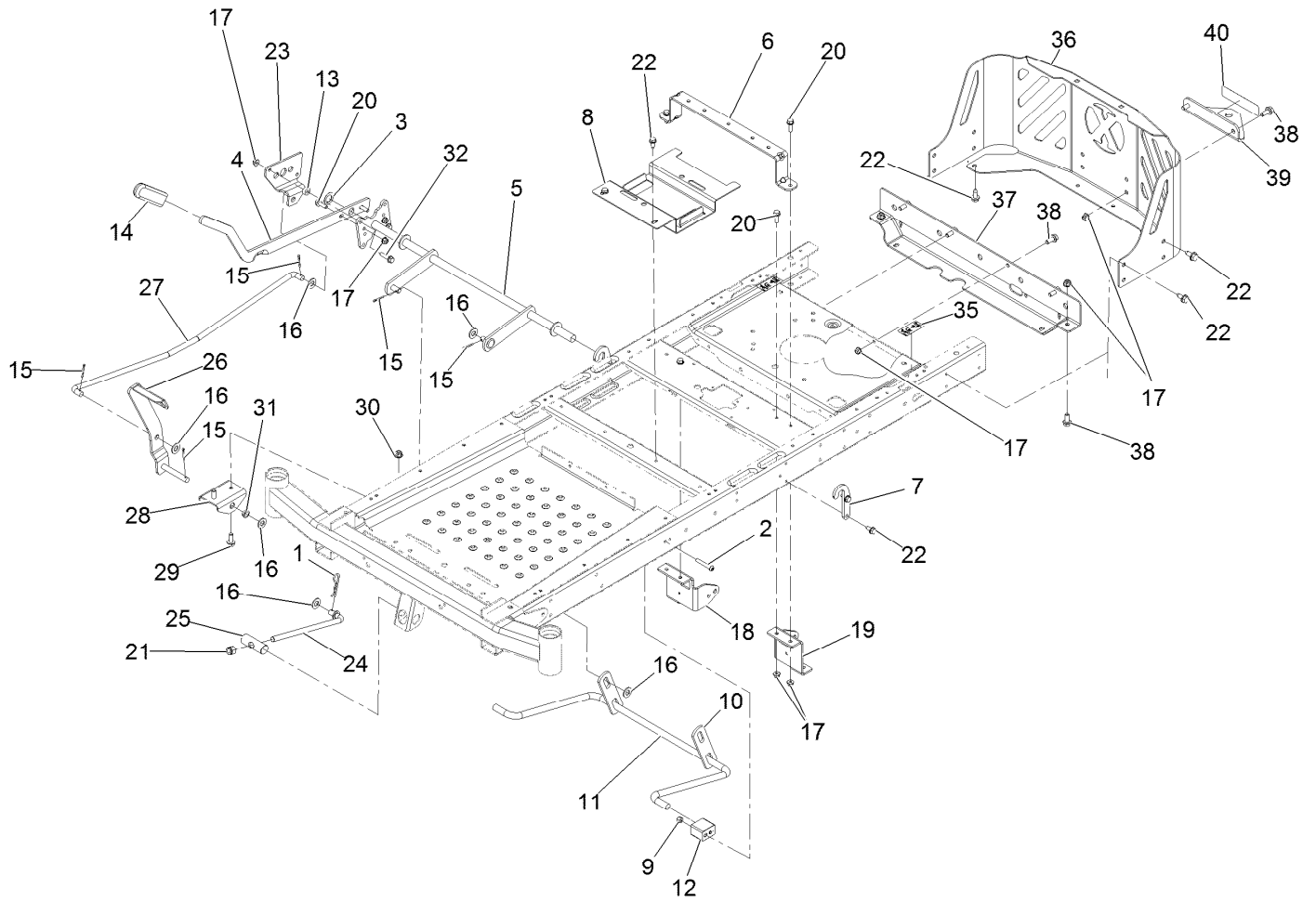


13 Inch Wheel and Tire Assembly No. 119-3473 (continued)

<i>Ref.</i>	<i>Part Number</i>	<i>Qty.</i>	<i>Description</i>	<i>Ref.</i>	<i>Part Number</i>	<i>Qty.</i>	<i>Description</i>
1	119-3471	1	Tire-13 Inch	5	302-5	1	Fitting-Grease
3	114-1640	2	Bushing-Flange	99	232-46	1	Tube-Inner ●
4	232-27	1	Stem-Valve				

● Not illustrated

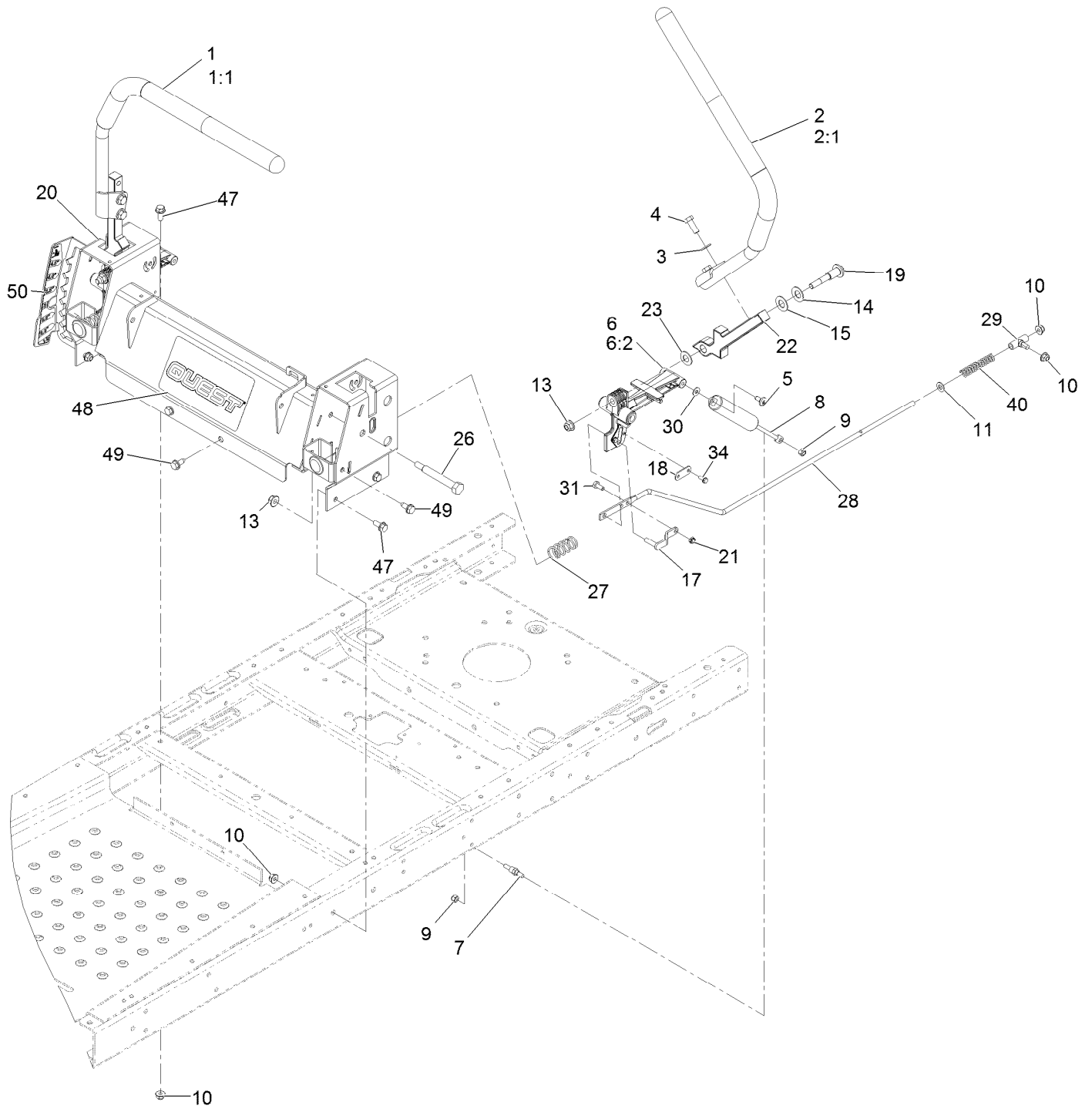
Deck Lift Assembly



Deck Lift Assembly (continued)

<i>Ref.</i>	<i>Part Number</i>	<i>Qty.</i>	<i>Description</i>	<i>Ref.</i>	<i>Part Number</i>	<i>Qty.</i>	<i>Description</i>
1	1-806005	1	Hairpin-Cotter	21	3296-19	1	Nut-Nyloc 1/2-20
2	120-5499	2	Screw-Button Head 5/16-18 X 2.00	22	32144-70	16	Screw-HWH 5/16-18 X 3/4 Tf
3	3-6498	2	Washer-Thrust	23	131-3933	1	Plate-Footlift
4	119-3427-03	1	Lever-Lift	24	131-3945	1	Rod-Mount, Deck
5	132-6878-03	1	Lift-Deck, Wide	25	119-8810	1	Pin-Pivot
6	117-7337-03	1	Brace-Seat, Rear	26	132-6939-03	1	Pedal ASM
7	119-8875	2	Bracket-Lift	27	120-2242	1	Rod-Footlift
8	131-0914-03	1	Bracket-Battery	28	120-2294-03	1	Bracket-Footlift
9	3296-29	2	Nut-Nyloc 5/16-18	29	3234-42	2	Screw HHF 3/8-16 X 1
10	108-7840	2	Link-Lift	30	104-8301	2	Nut-Nyloc 3/8-16 Flg
11	119-3347	1	Arm-Lift, Rear (Wide)	31	256-156	2	Bushing-Flange
12	108-7845	2	Block-Pivot	32	3234-36	2	Screw-HH Flg 5/16-18 X 1 1/4
13	121-1759	2	Spacer				
14	1-633268	1	Grip-Lever	35	121-2989	2	Decal-Bypass
15	3272-11	5	Pin-Cotter 1/8 X 1	36	131-1018-03	1	Guard-Engine, Wide [black]
16	3256-26	6	Washer-1/2 SAE	37	130-6946-01	1	Crossmember-Rear, Wide
17	104-8300	14	Nut-Nyloc 5/16-18 Flg	38	3234-47	8	Screw-HH Flg 5/16-18 X 3/4
18	131-0901-01	1	Mount-Hydro, Front (RH)	39	117-1232-03	1	Bracket-Hitch
19	131-0902-01	1	Mount-Hydro, Front (LH)	40	131-4036	1	Decal
20	3234-29	4	Screw-HH Flg 5/16-18 X 1				

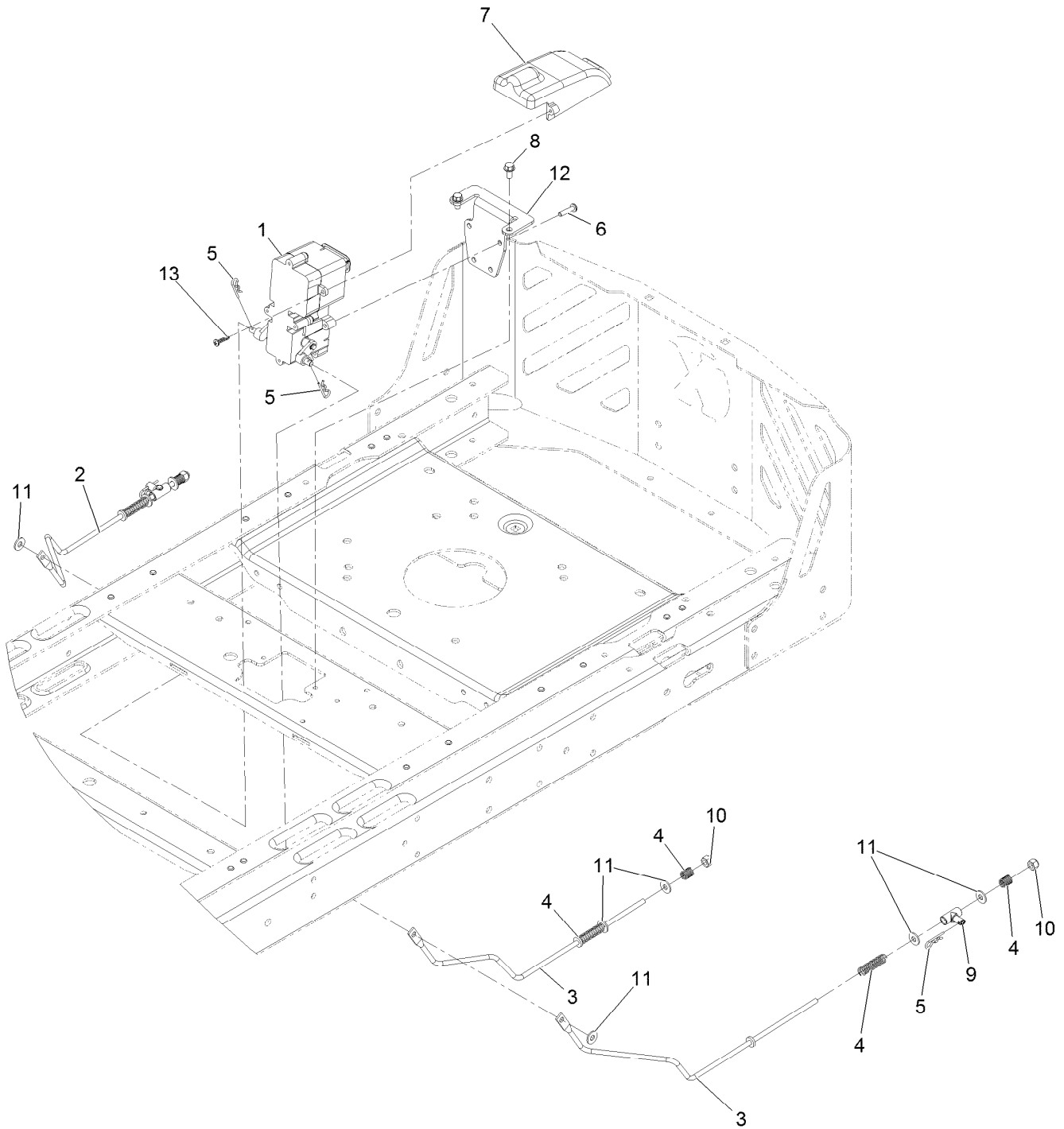
Motion Control Assembly



Motion Control Assembly (continued)

<i>Ref.</i>	<i>Part Number</i>	<i>Qty.</i>	<i>Description</i>	<i>Ref.</i>	<i>Part Number</i>	<i>Qty.</i>	<i>Description</i>
1	121-0731	1	Handle-Control, RH	19	117-1198	2	Bolt-Pivot
1:1	121-0726	1	Grip	20	131-1060-03	1	Control Box ASM
2	121-0730	1	Handle-Control, LH	21	3296-56	2	Nut-Nyloc 1/4-20 Thin
2:1	121-0726	1	Grip	22	115-5098-05	2	Lever-Control
3	3256-24	4	Washer-3/8 SAE	23	120-2273	2	Washer-Nylon
4	323-6	4	Screw-HH 3/8-16 X 1	26	115-5099	2	Bolt-Pivot
5	120-7950	2	Screw-Shoulder	27	119-8876	2	Spring-Return
6	119-3470	2	Actuator Arm ASM	28	117-5388	2	Rod-Hydro
6:2	256-156	2	Bushing-Flange	29	119-8842	2	Mount-Rod, Hydro
7	110-6810	2	Stud-Damper	30	119-8952	2	Washer
8	131-0964	2	Damper	31	321-3	2	Screw-HH 1/4-20 X 5/8
9	3296-42	4	Nut-Nyloc 1/4-20	34	32144-1	4	Screw-HWH #10-24 X 1/2 Taptite
10	104-8300	10	Nut-Nyloc 5/16-18 Flg	40	1-603807	2	Spring
11	3256-23	2	Washer-5/16 SAE	47	3234-47	6	Screw-HH Flg 5/16-18 X 3/4
13	104-8301	4	Nut-Nyloc 3/8-16 Flg	48	126-7386	1	Decal-Quest
14	119-8925	2	Washer-Belleville	49	32144-70	4	Screw-HWH 5/16-18 X 3/4 Tf
15	117-1240	2	Washer	50	119-8870	1	Decal-HOC
17	119-3303	2	Pin-Rod, Hydro				
18	119-8948	2	Plate-Stop, Hydro				

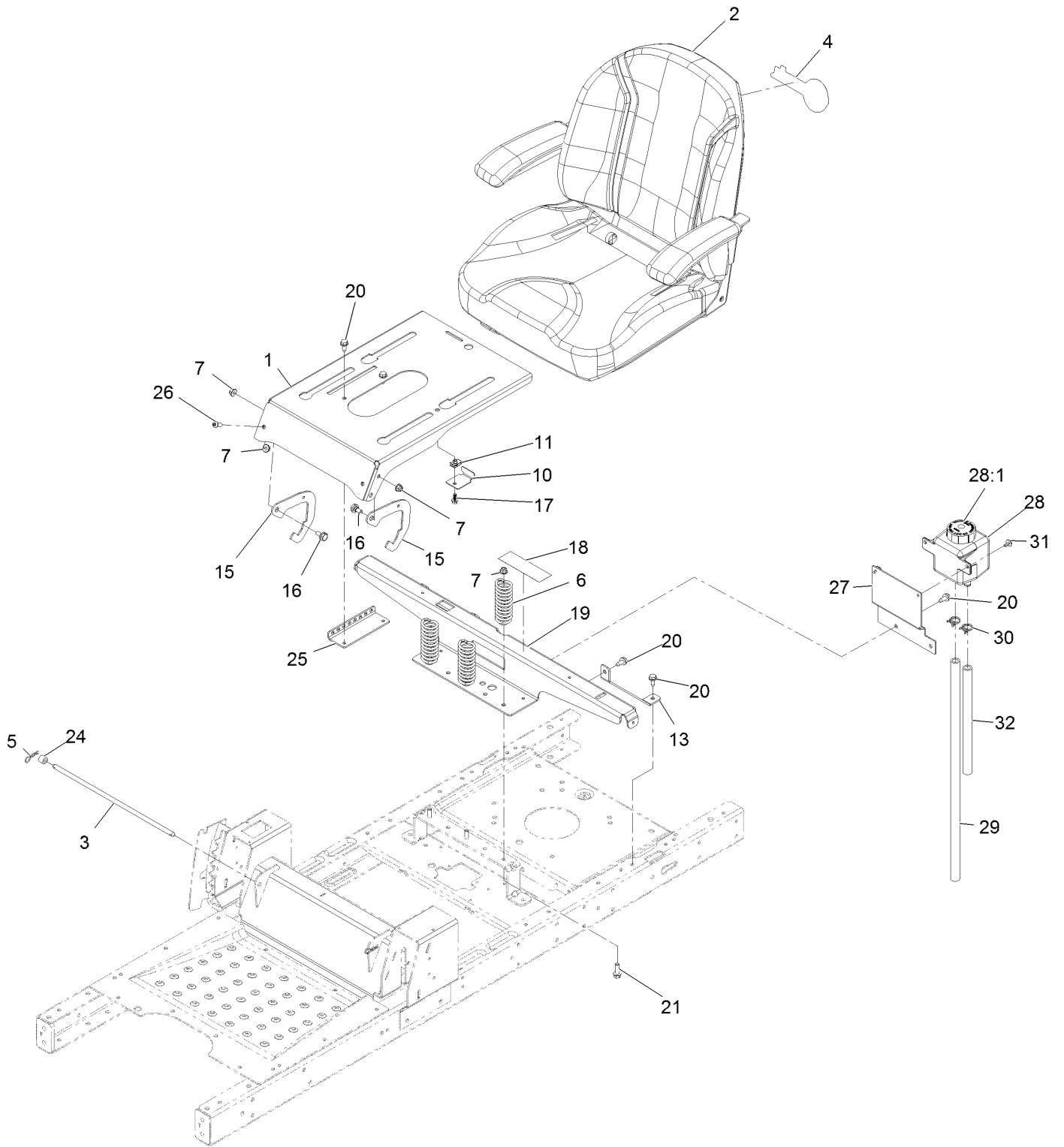
Brake Assembly



Brake Assembly (continued)

<i>Ref.</i>	<i>Part Number</i>	<i>Qty.</i>	<i>Description</i>	<i>Ref.</i>	<i>Part Number</i>	<i>Qty.</i>	<i>Description</i>
1	132-0935	1	Brake Box ASM	8	32144-4	2	Screw-HWH 1/4-20 X 1/2 Taptite
2	119-8811	1	Rod-Brake, RH	9	119-8857	2	Mount-Pivot
3	119-8812	1	Rod-Brake, LH	10	3296-42	2	Nut-Nyloc 1/4-20
4	121-5654	4	Spring-Compression	11	119-8952	6	Washer
5	3290-307	4	Pin-Cotter	12	130-0790-03	1	Bracket-Mount, Brake
6	32144-36	4	Screw-PPH	13	94-4496	2	Screw-PPH
7	132-6949	1	Cover-Connector				

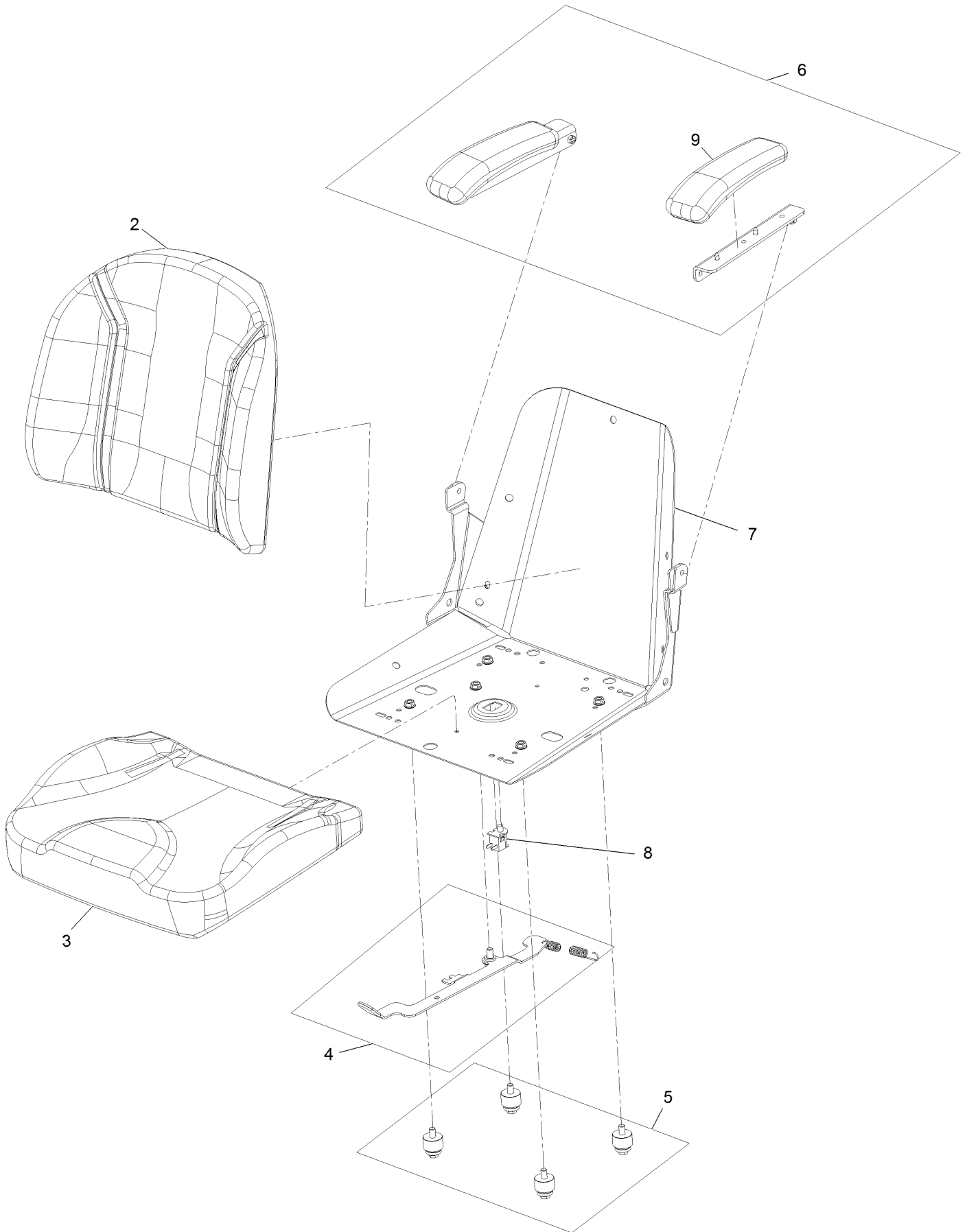
Seat Assembly



Seat Assembly (continued)

<i>Ref.</i>	<i>Part Number</i>	<i>Qty.</i>	<i>Description</i>	<i>Ref.</i>	<i>Part Number</i>	<i>Qty.</i>	<i>Description</i>
1	132-0919-03	1	PAN-Seat	19	131-1039-03	1	Support-Pod, Wide
2	131-4148	1	Seat ASM, Exmark	20	32144-70	4	Screw-HWH 5/16-18 X 3/4 Tf
3	115-4966	1	Rod-Stop	21	3234-29	3	Screw-HH Flg 5/16-18 X 1
4	126-6971	1	Decal-Exmark Logo	24	1-413088	2	Spacer
5	3290-250	2	Pin-Cotter	25	131-4008-03	1	Bracket-Latch, Seat
6	92-7054	3	Spring-Compression	26	3274-55	2	Screw-Button Head 5/16-18 X 3/4
7	104-8300	6	Nut-Nyloc 5/16-18 Flg	27	120-7970-03	1	Mount-Tank
10	131-1038	1	Bracket-Stop, Seat	28	109-2250	1	Vent-Tank, HYD
11	107069	1	Nut-Retainer-Panel 1/4-20	28:1	109-3320	1	Cap-Reservoir, HYD
13	119-3431-03	2	Support-Tank, Rear	29	121-2951	1	Hose-Overflow
15	131-3994	1	Plate-Stop	30	117-1193	4	Clamp-Hose
16	116-2670	1	Screw-Shoulder HHF 5/16-18 X .96	31	46-8560	2	Screw-HHF 1/4-20 X 1/2
17	99-6810	1	Screw-HH 1/4-20 X 5/8	32	121-2952	1	Hose-Overflow
18	106-8717	1	Decal-Service, CE				

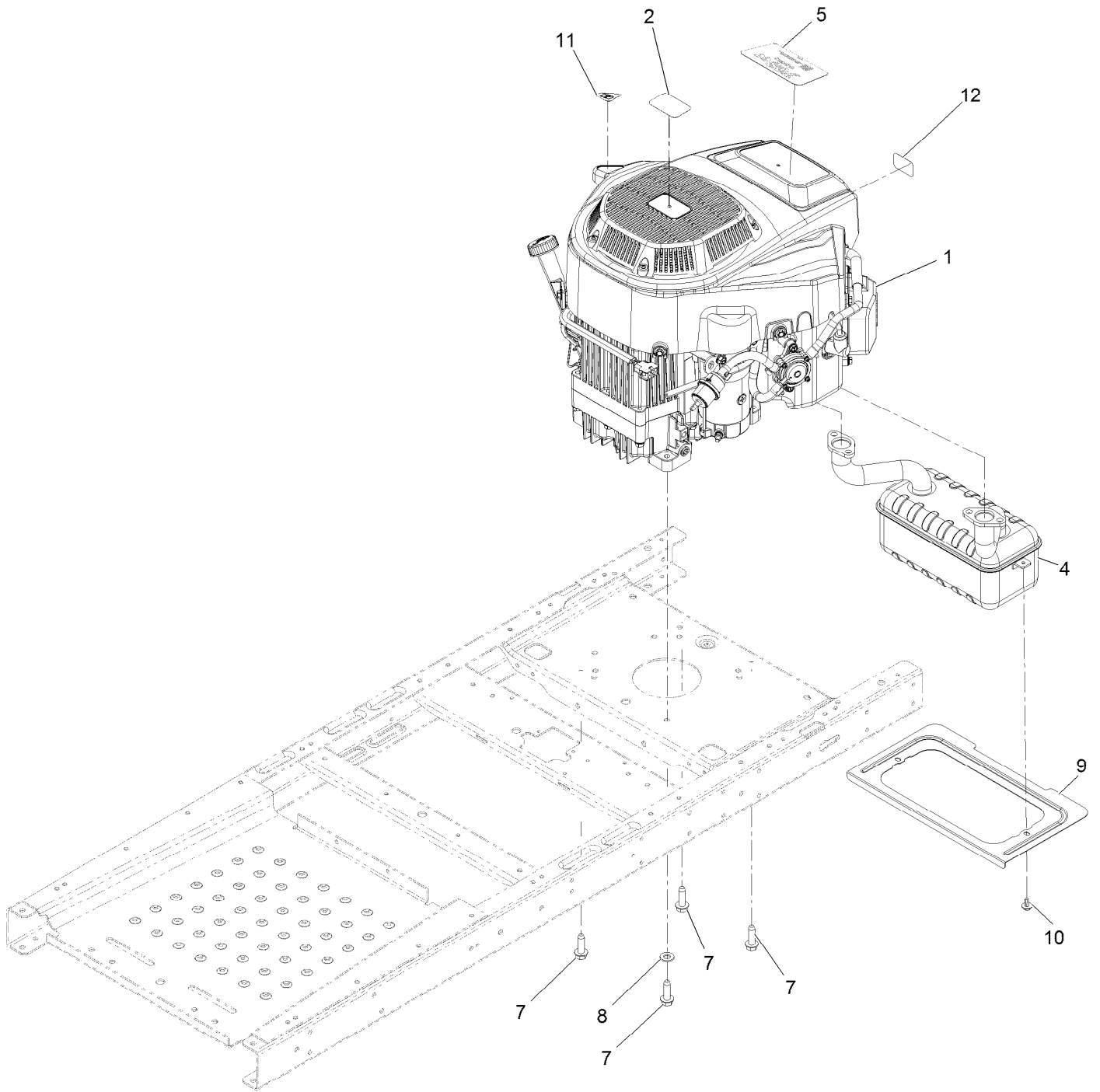
Seat Assembly (cont)



Seat Assembly (cont) (continued)

<i>Ref.</i>	<i>Part Number</i>	<i>Qty.</i>	<i>Description</i>	<i>Ref.</i>	<i>Part Number</i>	<i>Qty.</i>	<i>Description</i>
2	131-4150	1	Cushion-Seat, Back	6	131-4155	1	Armrest Kit
3	131-4152	1	Cushion-Seat, Bottom	7	131-4156	1	Shell
4	131-4153	1	Track ASM	8	82-2190	1	Switch-Bail
5	131-4154	1	Bushing ASM	9	110-4163	2	Cushion-Rest, Arm

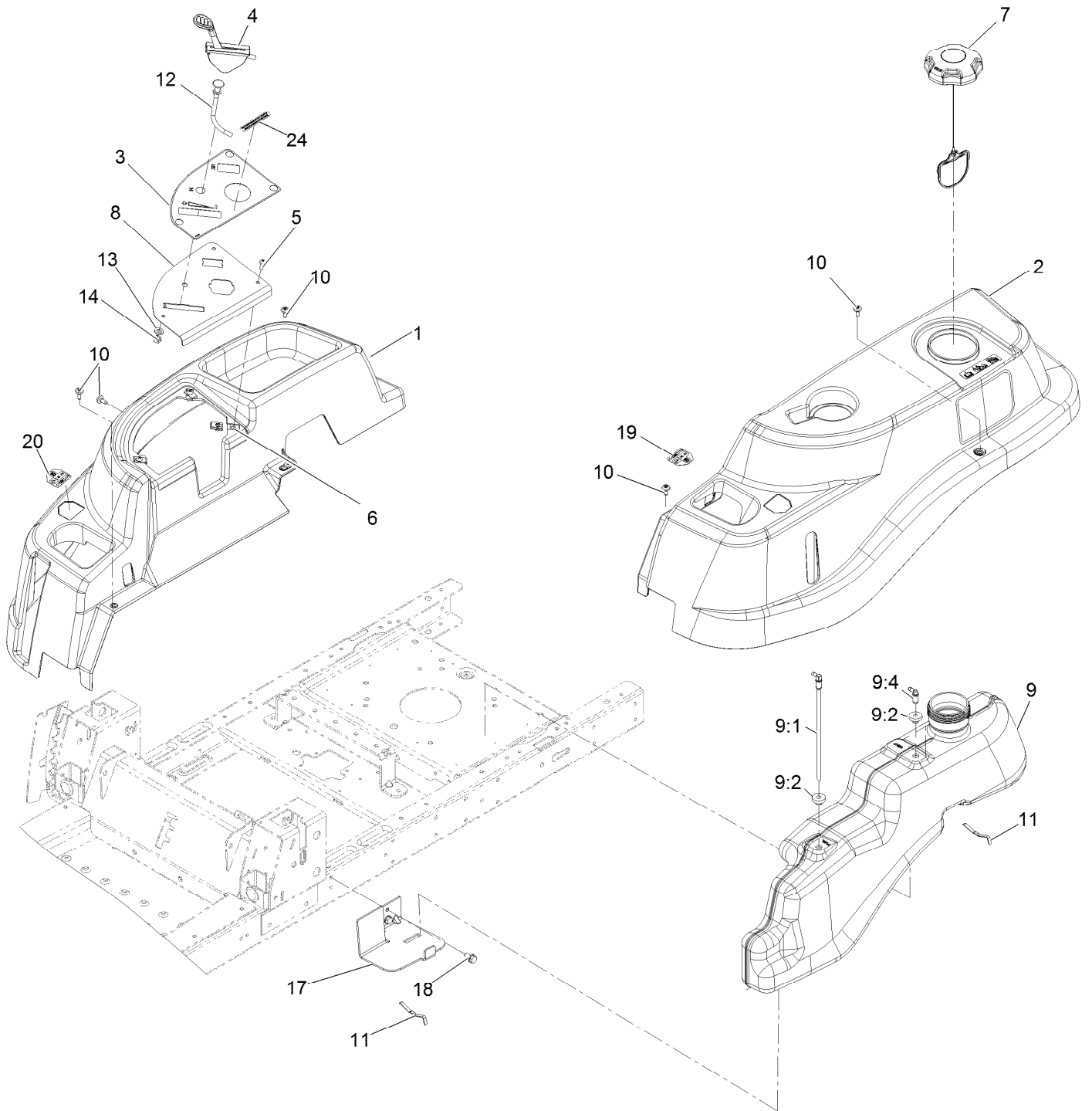
Engine Assembly



Engine Assembly (continued)

<i>Ref.</i>	<i>Part Number</i>	<i>Qty.</i>	<i>Description</i>	<i>Ref.</i>	<i>Part Number</i>	<i>Qty.</i>	<i>Description</i>
1	127-9041	1	Engine-2P77F	8	3256-24	3	Washer-3/8 SAE
2	131-1078	1	Decal	9	131-1071-03	1	Shield-Heat
4	130-6851	1	Muffler	10	46-8560	2	Screw-HHF 1/4-20 X 1/2
5	131-1079	1	Decal-Engine Displacement	11	131-1097	1	Decal-Drain, Oil
7	32144-109	4	Screw-HWH 3/8-16 X 1 1/4 Taptite	12	127-9077	1	Placard-Intake, Exmark

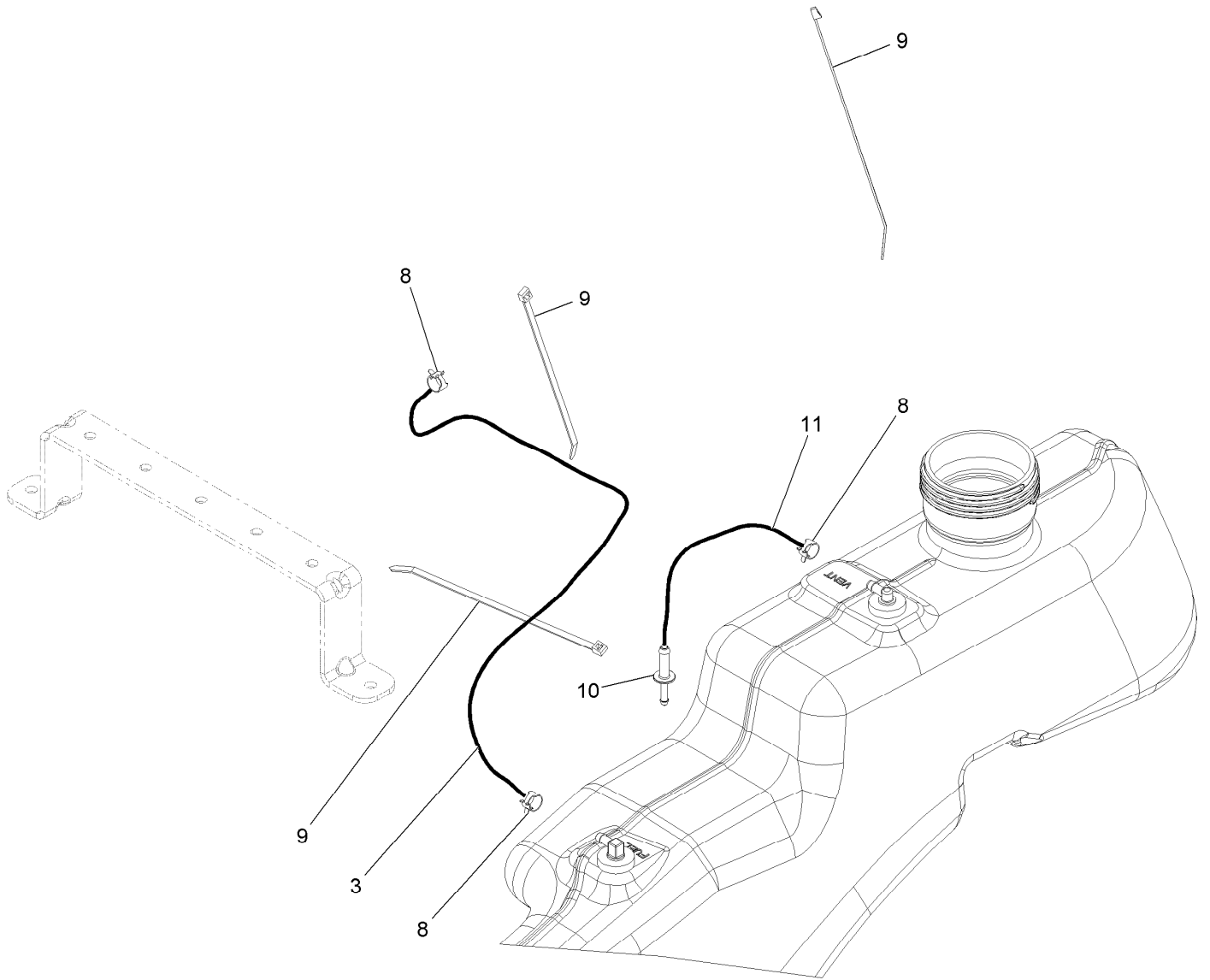
Controls and Fuel Tank Assembly



Controls and Fuel Tank Assembly (continued)

<i>Ref.</i>	<i>Part Number</i>	<i>Qty.</i>	<i>Description</i>	<i>Ref.</i>	<i>Part Number</i>	<i>Qty.</i>	<i>Description</i>
1	133-1156	1	Pod-RH	10	120-7950	6	Screw-Shoulder
2	133-1157	1	Pod-LH	11	609830	2	Spring
3	121-0773	1	Decal-Panel, Control	12	112-9753	1	Cable-Choke
4	121-0769	1	Cable-Throttle	13	3253-21	1	Washer-Lock 3/8
5	3258-166	3	Screw-PPH 1/4-20 X 3/4	14	3220-3	1	Nut-Jam 3/8-24
6	107069	3	Nut-Retainer-Panel 1/4-20	17	119-3395-03	1	Support-Tank, Front
7	120-5461	1	Cap-Fuel, Ratcheting	18	32144-70	2	Screw-HWH 5/16-18 X 3/4 Tf
8	119-3377-03	1	Plate-Control	19	119-8814	1	Decal-Control Lever, LH
9	119-3324	1	Fuel Tank ASM	20	119-8815	1	Decal-Control Lever, RH
9:1	121-0793	1	Connector-Elbow, 90 DEG	24	132-0904	1	Decal-Shutdown
9:2	46-6560	2	Bushing				
9:4	117-7400	1	Fitting-Plastic				

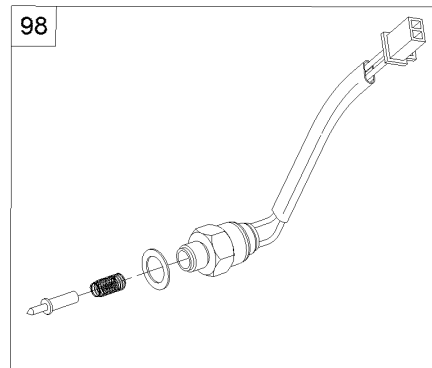
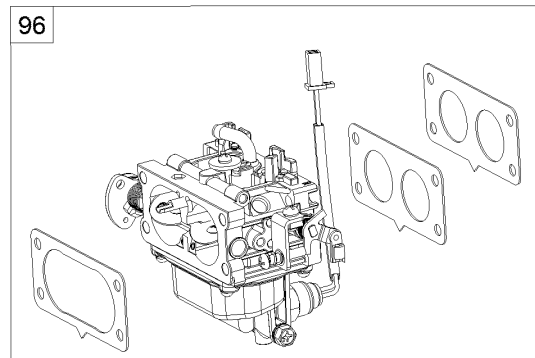
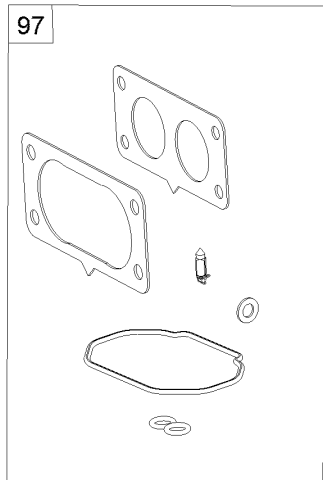
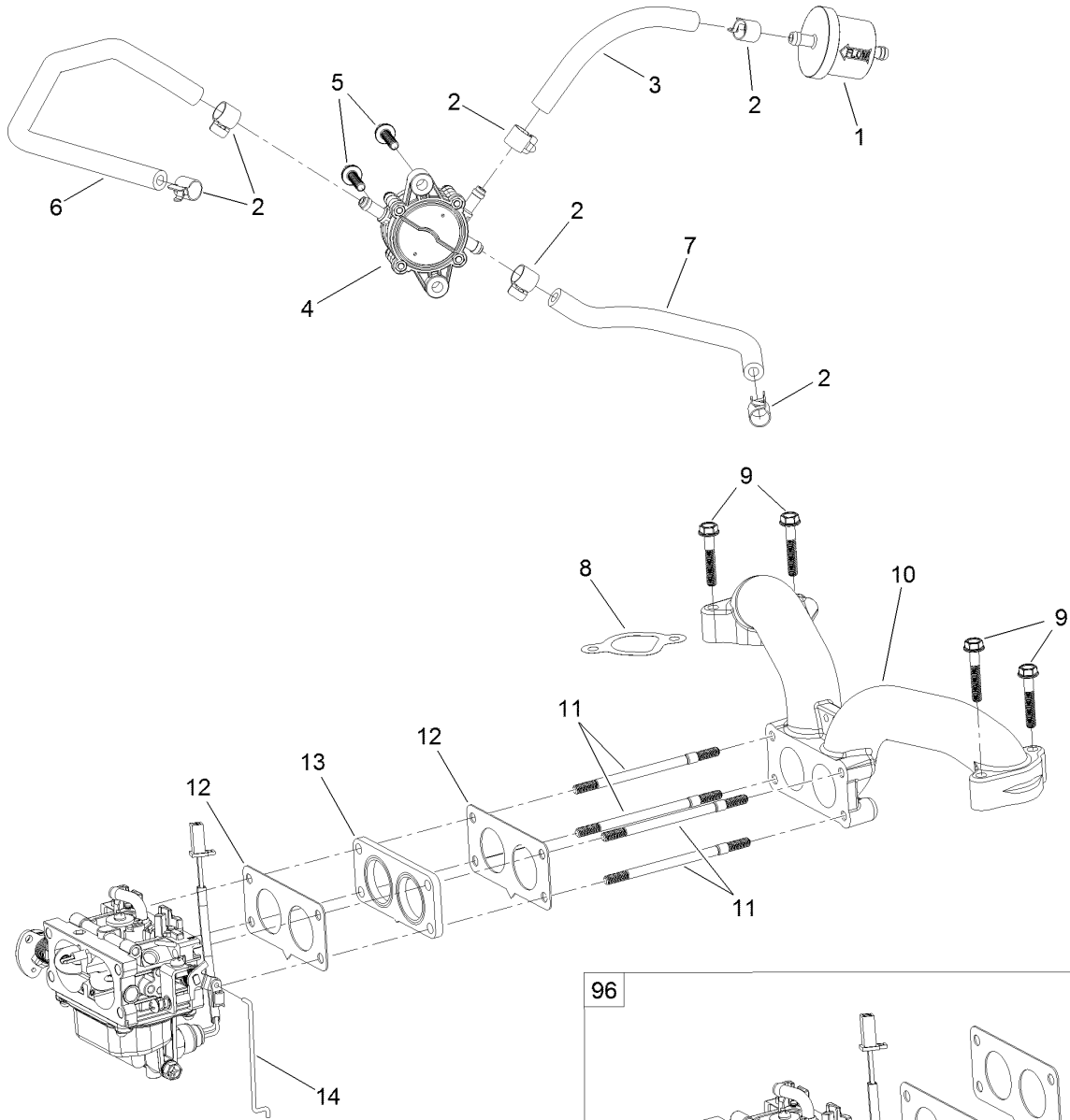
Fuel Delivery Assembly



Fuel Delivery Assembly (continued)

<i>Ref.</i>	<i>Part Number</i>	<i>Qty.</i>	<i>Description</i>	<i>Ref.</i>	<i>Part Number</i>	<i>Qty.</i>	<i>Description</i>
3	109-0281	1	Hose-Fuel	10	117-5399	1	Adaptor-Orifice
8	2412-98	3	Clamp-Hose	11	110-1876	1	Hose-Fuel
9	614249	1	Tie-Cable				

Fuel System Assembly

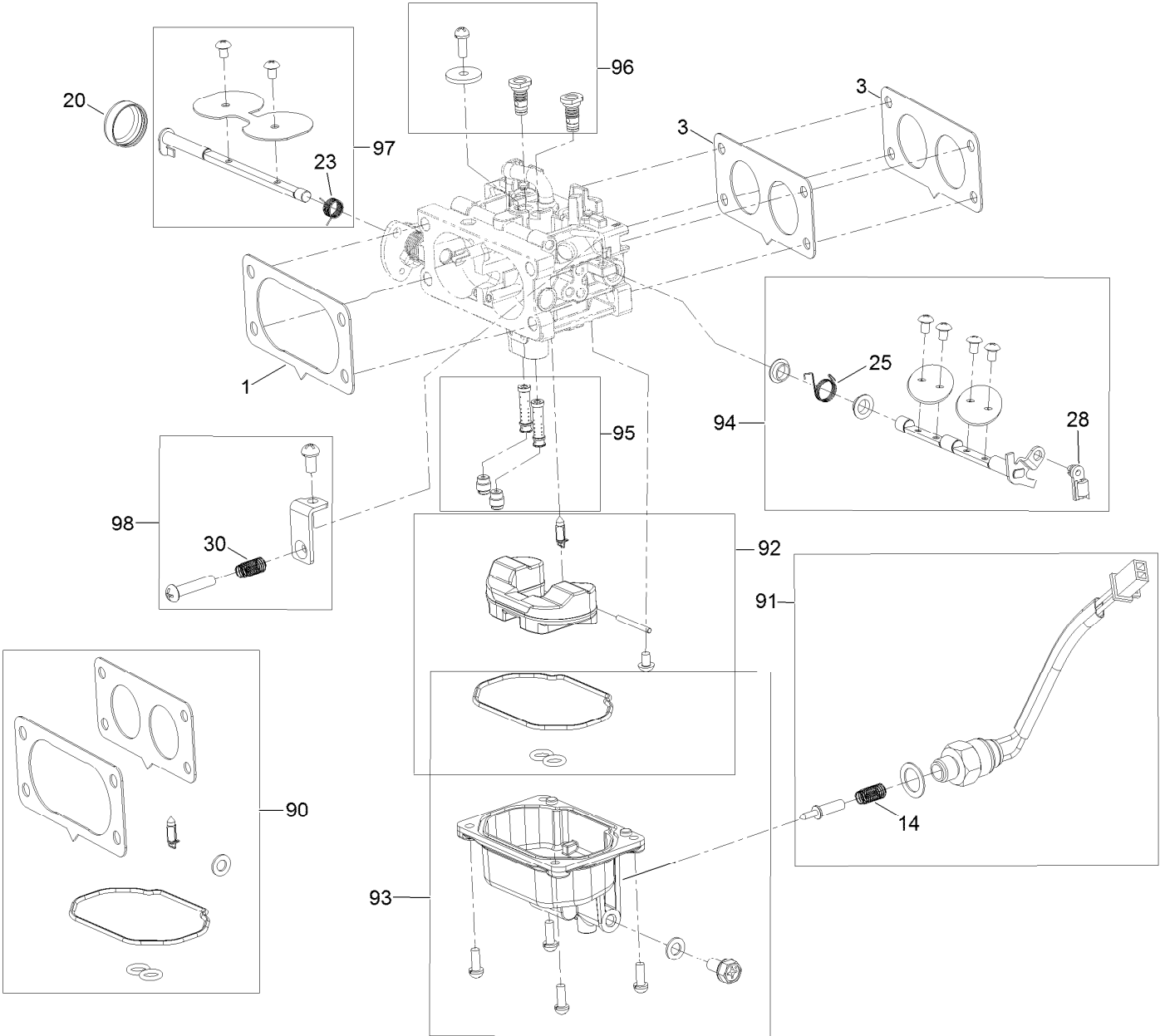


Fuel System Assembly (continued)

<i>Ref.</i>	<i>Part Number</i>	<i>Qty.</i>	<i>Description</i>	<i>Ref.</i>	<i>Part Number</i>	<i>Qty.</i>	<i>Description</i>
1	133-1563	1	Filter-Fuel	10	127-9244	1	Manifold-Intake
2	120-4251	6	Clamp-Fuel Line	11	127-9245	4	Stud
3	120-4371	1	Line-Fuel	12	127-9246	2	Gasket-Carburetor
4	127-9206	1	Pump-Fuel	13	127-9247	1	Insulator-Carburetor
5	120-4225	2	Screw-HHF	14	127-9248	1	Linkage-Throttle
6	127-9205	1	Hose-Fuel	96	127-9289	1	Carburetor Replacement Kit
7	127-9207	1	Hose-Fuel	97	127-9290	1	Carburetor Repair Kit
8	127-9230	2	Gasket-Intake	98	127-9292	1	Solenoid Kit
9	120-4284	4	Screw-HHF	99	127-9303	1	High Altitude Kit ●

● Not illustrated

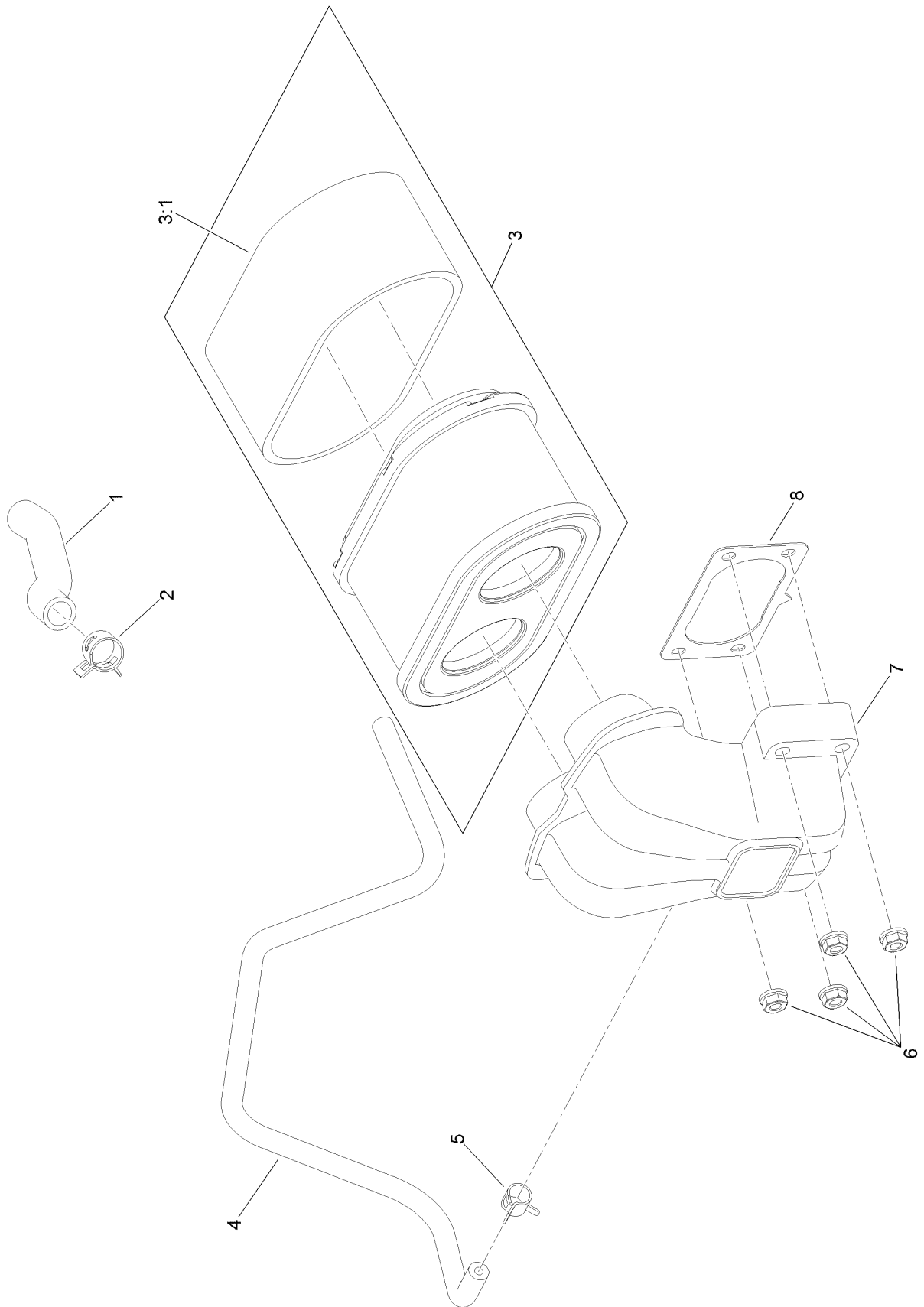
Carburetor Assembly No. 127-9249



Carburetor Assembly No. 127-9249 (continued)

<i>Ref.</i>	<i>Part Number</i>	<i>Qty.</i>	<i>Description</i>	<i>Ref.</i>	<i>Part Number</i>	<i>Qty.</i>	<i>Description</i>
1	127-9249	1	Carburetor	90	127-9290	1	Carburetor Repair Kit
1	127-9251	1	Gasket-Carburetor	91	127-9292	1	Solenoid Kit
3	127-9246	2	Gasket-Carburetor	92	127-9340	1	Float Kit
14	127-9319	1	Spring	93	127-9341	1	Bowl Kit
20	127-9325	1	Cover-Shaft, Choke	94	127-9342	1	Throttle Shaft Kit
23	127-9328	1	Spring	95	127-9343	1	Nozzle And Jet Kit
25	127-9330	1	Spring	96	127-9344	1	Air Jet Kit
28	127-9333	1	Clamp-Lock	97	127-9345	1	Choke Shaft Kit
30	127-9335	1	Spring	98	127-9347	1	Idlestop Kit

Air Intake and Filtration Assembly Engine Assembly No. 127-9041

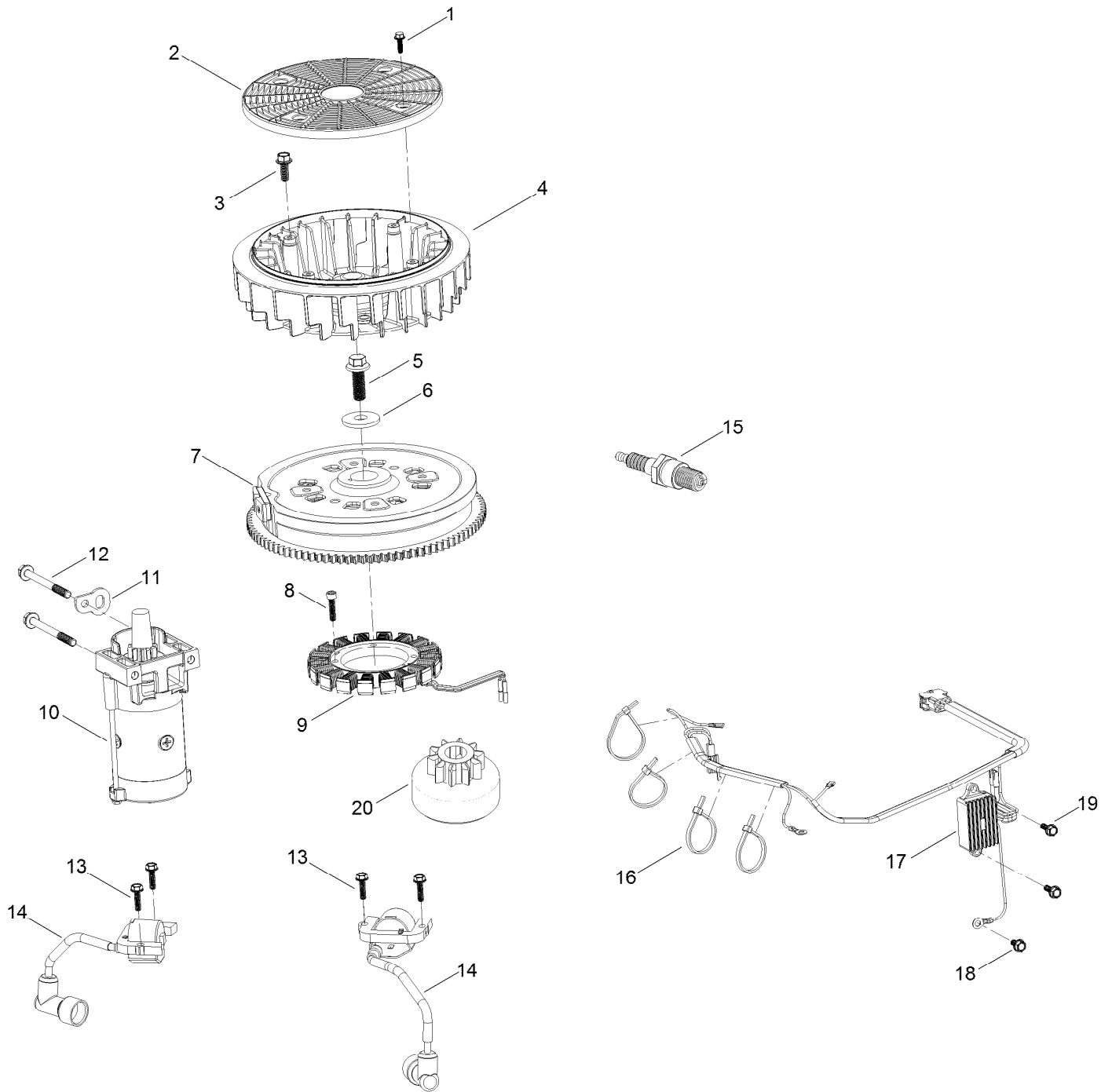


Air Intake and Filtration Assembly Engine Assembly No. 127-9041 (continued)

<i>Ref.</i>	<i>Part Number</i>	<i>Qty.</i>	<i>Description</i>
1	127-9235	1	Tube-Breather
2	127-9234	2	Clamp-Hose
3	127-9252	1	Filter-Air, Complete
3:1	127-9288	1	Filter-Pre, Foam
4	127-9253	1	Hose-Fuel

<i>Ref.</i>	<i>Part Number</i>	<i>Qty.</i>	<i>Description</i>
5	127-9187	1	Clamp-Hose
6	120-4236	4	Nut-Flange
7	127-9047	1	Manifold-Filter, Air
8	127-9251	1	Gasket-Carburetor

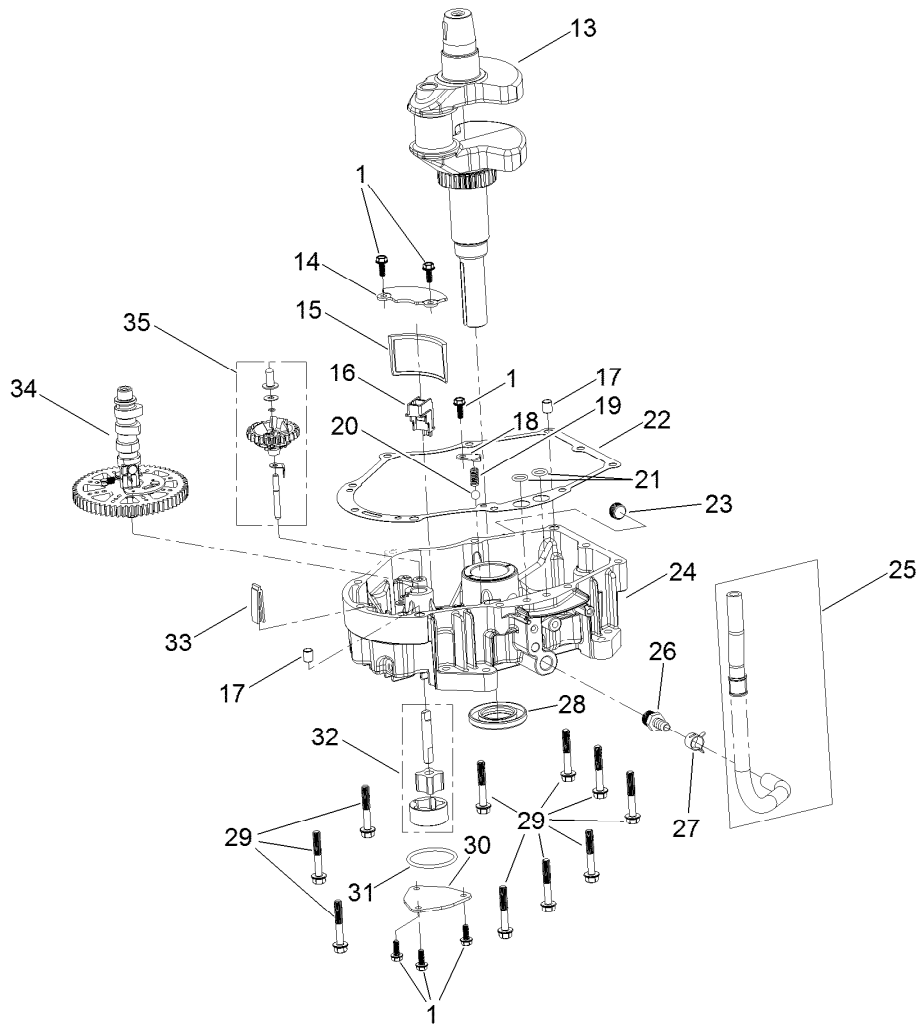
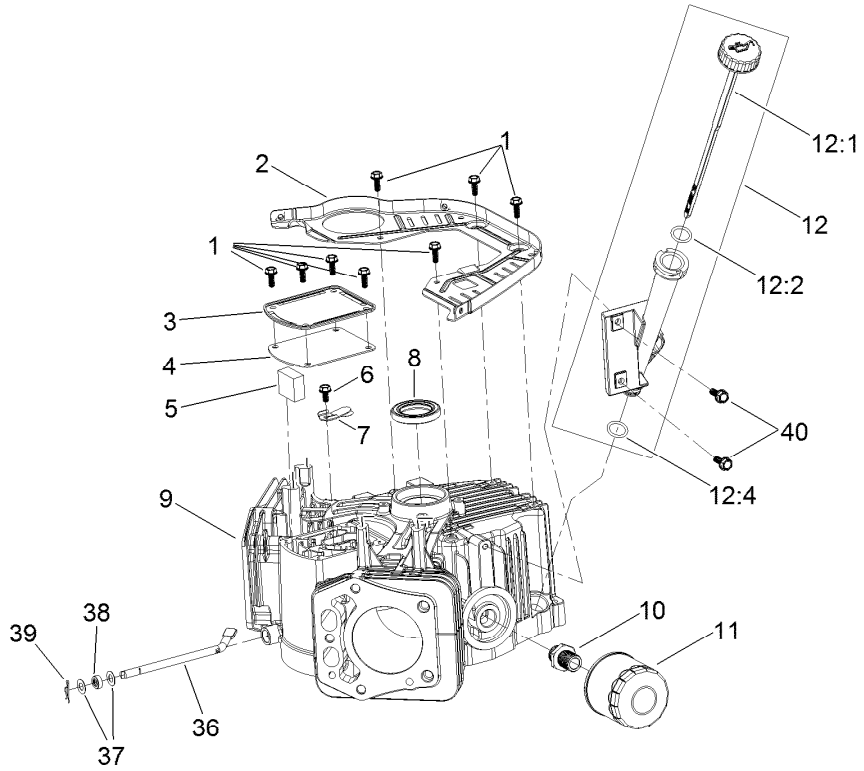
Ignition and Electrical Assembly Engine Assembly No. 127-9041



Ignition and Electrical Assembly Engine Assembly No. 127-9041 (continued)

<i>Ref.</i>	<i>Part Number</i>	<i>Qty.</i>	<i>Description</i>	<i>Ref.</i>	<i>Part Number</i>	<i>Qty.</i>	<i>Description</i>
1	127-9197	4	Screw-HWH	12	120-4231	2	Screw-HHF
2	127-9198	1	Screen-Rotating	13	121-0007	4	Bolt-Flange
3	127-9199	4	Screw-HWH	14	127-9216	2	Ignition Coil ASM
4	127-9200	1	Fan-Cooling	15	81-3250	2	Spark Plug
5	127-9201	1	Screw-HWH	16	127-9220	4	Tie-Zip
6	127-9202	1	Washer-Flat	17	127-9219	1	Regulator-Voltage W/Harness
7	127-9306	1	Flywheel	18	120-4216	1	Screw-HHF
8	127-9210	4	Screw-HSH	19	120-4232	2	Screw-HHF
9	127-9211	1	Alternator	20	133-1562	1	Pinion-Starter
10	133-1564	1	Motor-Starter				
11	127-9208	1	Bracket-Lift				

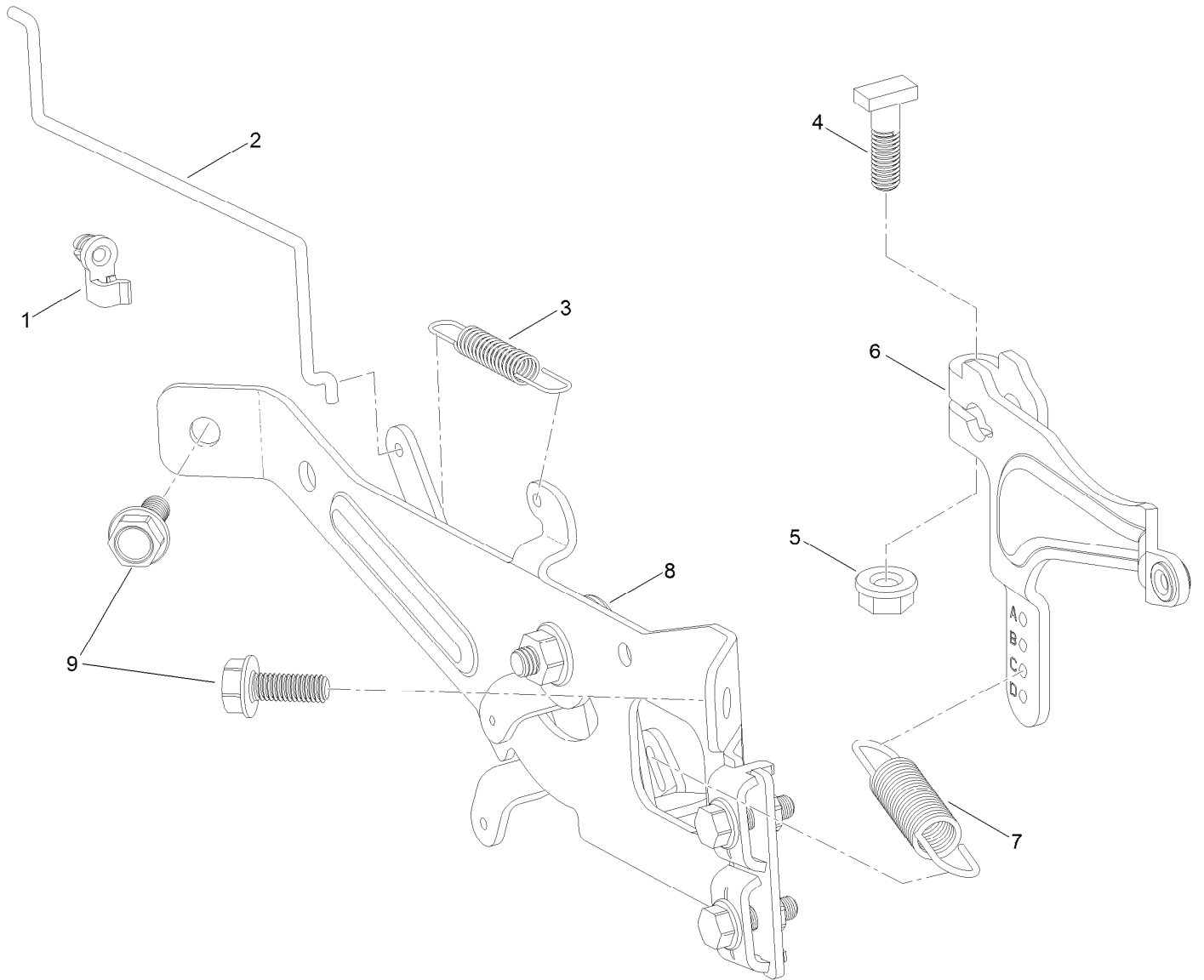
Crankcase and Crankshaft Assembly Engine Assembly No. 127-9041



Crankcase and Crankshaft Assembly Engine Assembly No. 127-9041 (continued)

<i>Ref.</i>	<i>Part Number</i>	<i>Qty.</i>	<i>Description</i>	<i>Ref.</i>	<i>Part Number</i>	<i>Qty.</i>	<i>Description</i>
1	120-4232	14	Screw-HHF	20	127-9266	1	Valve-Ball
2	127-9212	1	Baffle	21	120-4262	2	O-Ring
3	127-9213	1	Cover-Breather	22	127-9267	1	Gasket-Cover, Crankcase
4	127-9214	1	Gasket-Breather	23	120-4285	1	Plug-Drain
5	127-9215	1	Filter-Breather	24	127-9268	1	Cover-Crankcase
6	120-4216	1	Screw-HHF	25	127-9293	1	Oil Drain Hose ASM
7	127-9217	1	Valve-Breather	26	127-9275	1	Fitting-Hose
8	120-4267	1	Seal-Oil	27	127-9276	1	Clamp-Hose
9	127-9223	1	Crankcase	28	127-9271	1	Seal
10	127-9221	1	Fitting-Threaded, Oil Filter	29	121-0473	10	Screw-HHF
11	120-4276	1	Filter-Oil	30	127-9274	1	Cover-Oil Pump
12	127-9218	1	Oil Tube ASM	31	127-9273	1	O-Ring
12:1	127-9283	1	Dipstick	32	127-9272	1	Oil Pump ASM
12:2	127-9284	1	O-Ring	33	120-4275	1	Deflector-Oil, Rubber
12:4	127-9286	1	O-Ring	34	133-1568	1	Camshaft
13	127-9255	1	Crankshaft	35	133-1569	1	Governor ASM
14	127-9261	1	Cover-Screen, Oil	36	127-9238	1	Rod-Governor
15	127-9262	1	Screen-Oil	37	120-4258	2	Washer-Plain
16	127-9263	1	Retainer-Screen	38	120-4257	1	Seal-Oil
17	120-4274	2	Pin-Dowel	39	120-4256	1	Pin-Hair
18	127-9264	1	Plate-Retainer	40	120-4232	2	Screw-HHF
19	127-9265	1	Spring				

Governor Control Assembly Engine Assembly No. 127-9041

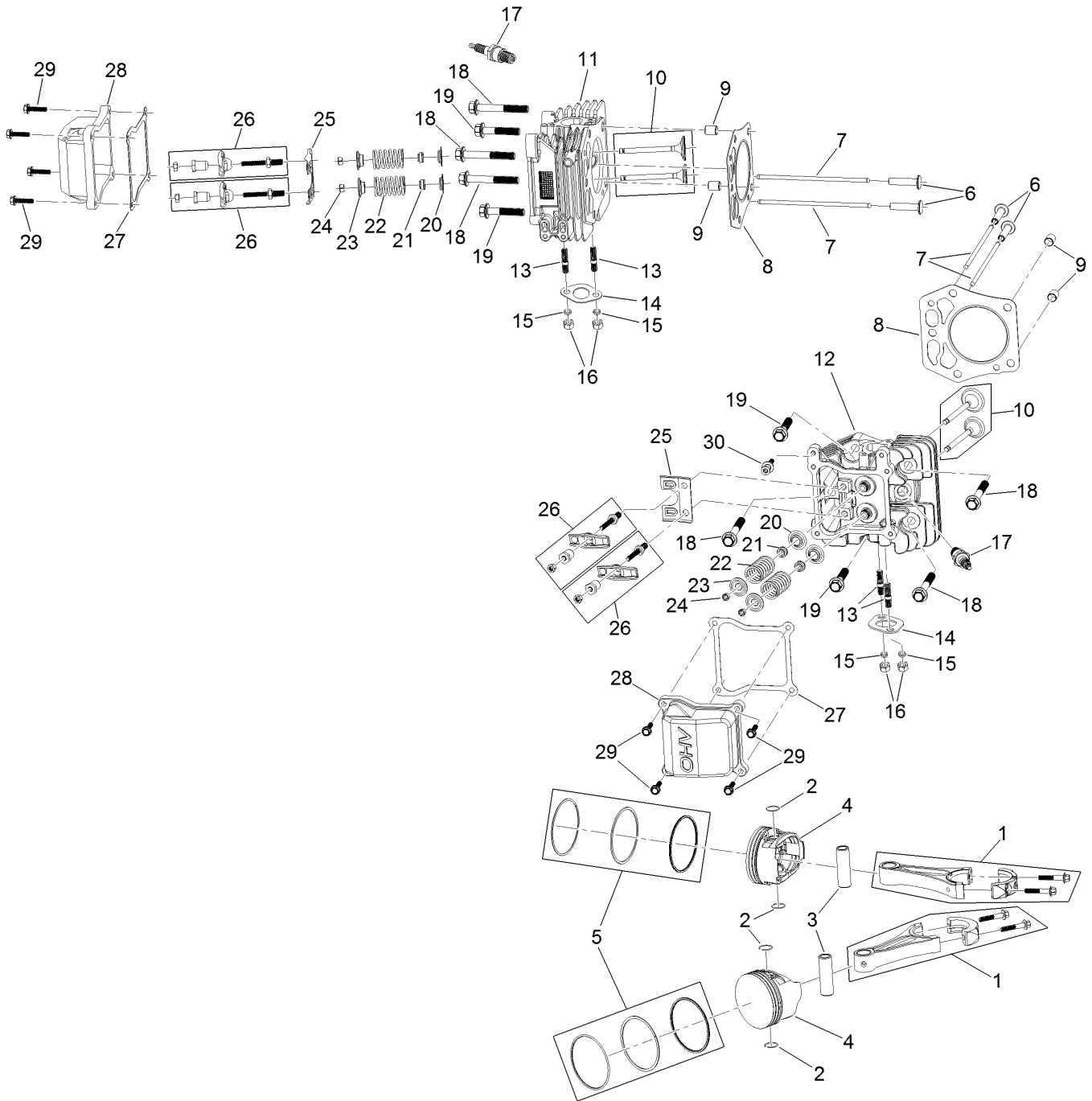


Governor Control Assembly Engine Assembly No. 127-9041 (continued)

<i>Ref.</i>	<i>Part Number</i>	<i>Qty.</i>	<i>Description</i>	<i>Ref.</i>	<i>Part Number</i>	<i>Qty.</i>	<i>Description</i>
1	127-9250	1	Clip-Linkage	6	127-9239	1	Arm-Governor
2	127-9242	1	Linkage-Choke	7	127-9240	1	Spring-Governor
3	127-9241	1	Spring-Governor	8	133-1570	1	Control Plate ASM
4	120-4238	1	Bolt-Arm, Governor	9	120-4232	2	Screw-HHF
5	120-4236	1	Nut-Flange				

Piston and Cylinder Head Assembly

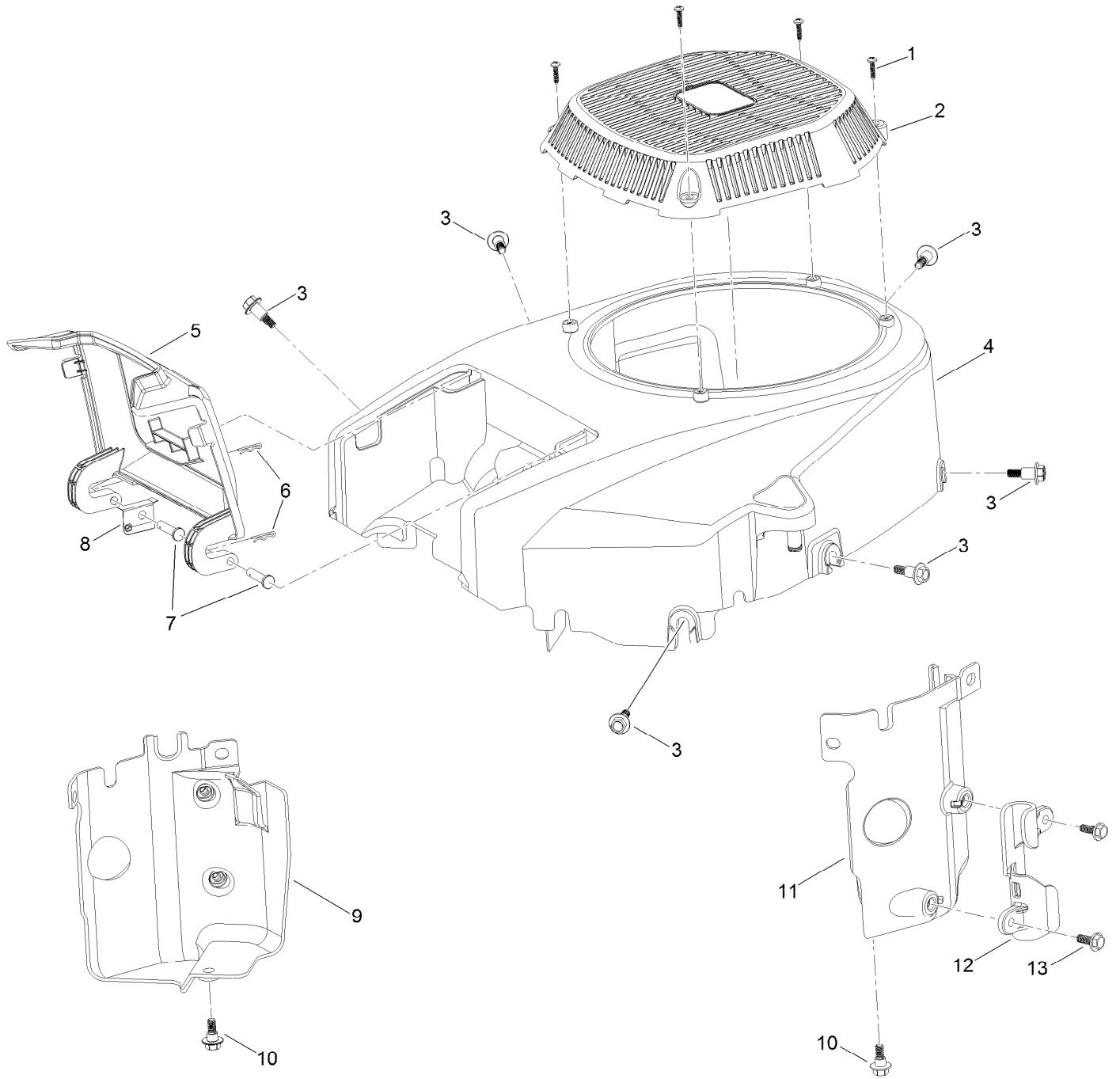
Engine Assembly No. 127-9041



Piston and Cylinder Head Assembly Engine Assembly No. 127-9041 (continued)

<i>Ref.</i>	<i>Part Number</i>	<i>Qty.</i>	<i>Description</i>	<i>Ref.</i>	<i>Part Number</i>	<i>Qty.</i>	<i>Description</i>
1	127-9256	2	Connecting Rod ASM	16	121-0199	4	Nut-HH
2	127-9258	4	Clip-Piston Pin	17	81-3250	2	Spark Plug
3	127-9257	2	Pin-Piston	18	127-9231	6	Screw-HWH
4	127-9259	2	Piston	19	127-9232	4	Screw-HWH
5	127-9260	2	Ring Set-Piston	20	120-4303	4	Seat-Spring, Valve
6	127-9224	4	Lifter-Valve	21	120-4304	4	Seal-Stem, Valve
7	127-9225	4	Rod-Push	22	120-4305	4	Spring-Valve
8	127-9226	2	Gasket-Head, Cylinder	23	120-4306	4	Retainer-Spring, Valve
9	127-9227	4	Pin-Dowel	24	120-4307	4	Keeper-Valve
10	127-9228	2	Valve Set	25	127-9233	2	Plate-Push Rod, Guide
11	127-9229	1	Head-Cylinder	26	127-9294	4	Rocker Arm ASM
12	127-9254	1	Head-Cylinder	27	127-9295	2	Gasket-Valve Cover
13	127-9236	4	Stud	28	127-9050	2	Cover-Valve
14	120-4317	2	Gasket-Exhaust	29	120-4225	8	Screw-HHF
15	127-9279	4	Washer-Lock, Split	30	120-4214	1	Screw-Shoulder, HH

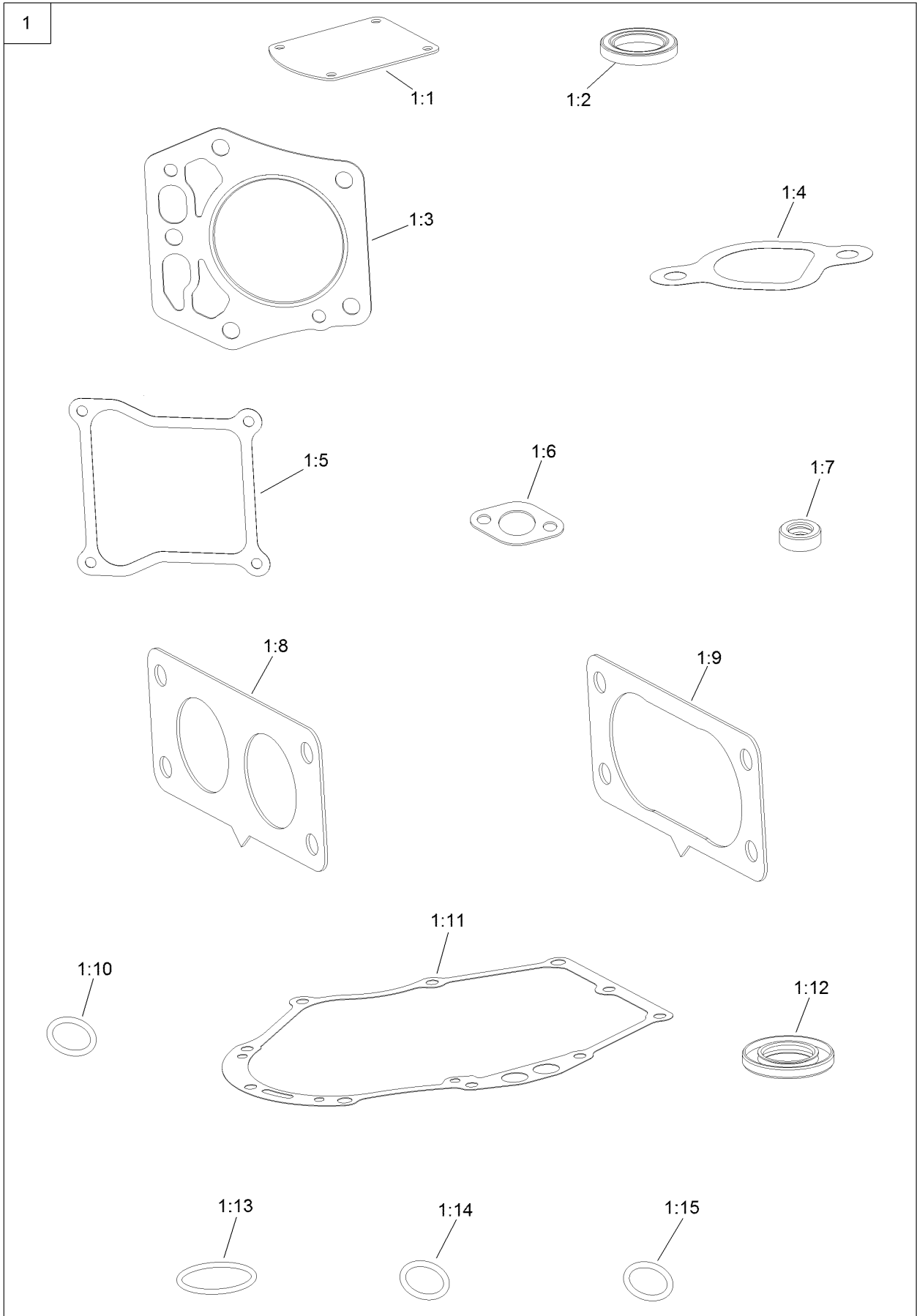
Blower Housing Assembly Engine Assembly No. 127-9041



Blower Housing Assembly Engine Assembly No. 127-9041 (continued)

<i>Ref.</i>	<i>Part Number</i>	<i>Qty.</i>	<i>Description</i>	<i>Ref.</i>	<i>Part Number</i>	<i>Qty.</i>	<i>Description</i>
1	133-1571	4	Screw-PPH, Plastic	8	127-9281	1	Plate-Spring
2	127-9045	1	Cover-Fan	9	127-9049	1	Baffle-Air, Left
3	127-9196	6	Screw-Shoulder, HWH	10	120-4210	2	Screw-Shoulder, HHF
4	133-1572	1	Shroud-Engine	11	127-9048	1	Baffle-Air, Right
5	127-9046	1	Door-Filter, Air	12	127-9287	1	Cleat-Hose
6	127-9280	2	Pin-Hair	13	120-4232	2	Screw-HHF
7	127-9282	2	Pin				

Gasket and Seal Kit Engine Assembly No. 127-9041

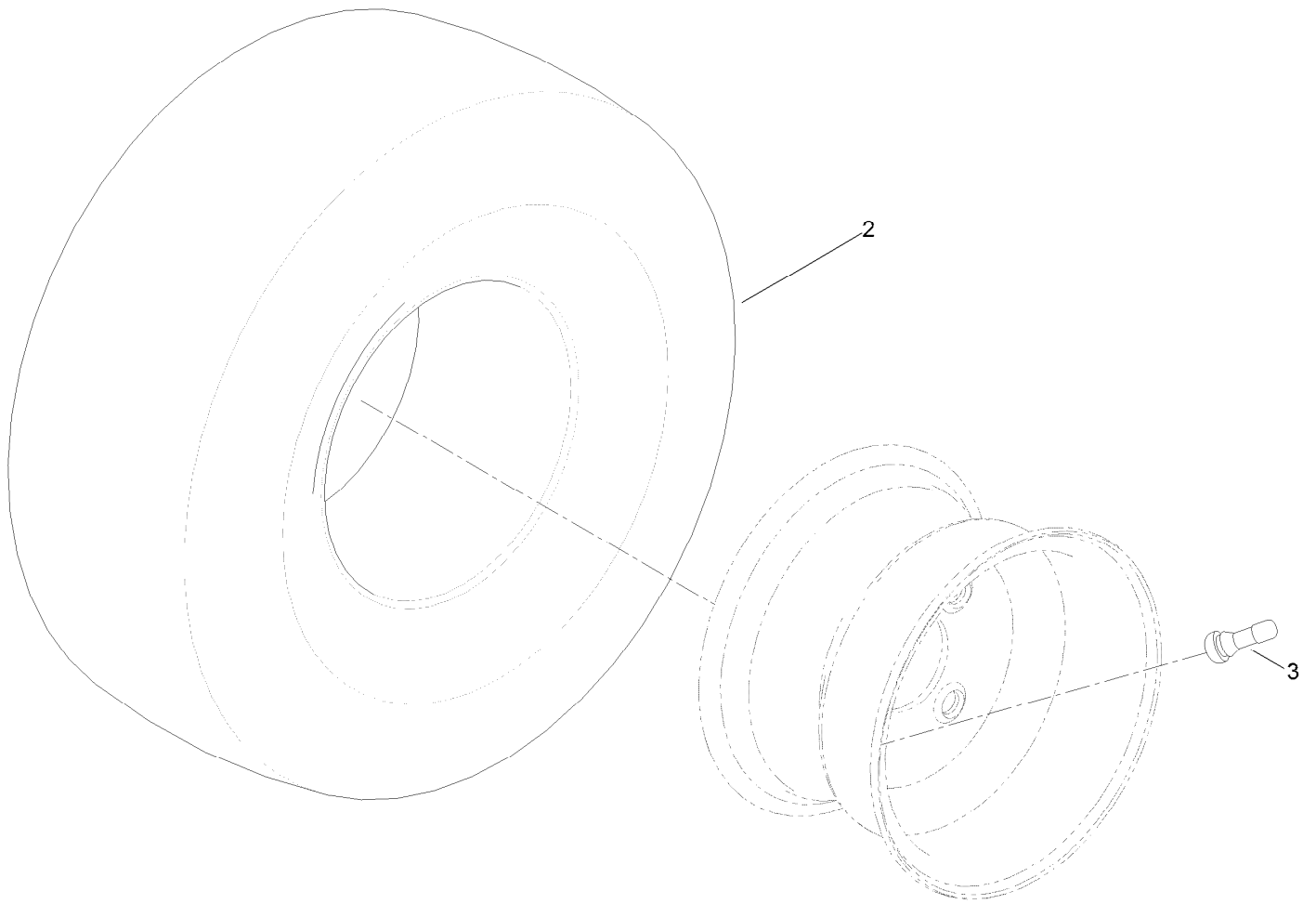


Gasket and Seal Kit

Engine Assembly No. 127-9041 (continued)

<i>Ref.</i>	<i>Part Number</i>	<i>Qty.</i>	<i>Description</i>	<i>Ref.</i>	<i>Part Number</i>	<i>Qty.</i>	<i>Description</i>
1	127-9296	1	Gasket And Seal Kit	1:8	127-9246	2	Gasket-Carburetor
1:1	127-9214	1	Gasket-Breather	1:9	127-9251	1	Gasket-Carburetor
1:2	120-4267	1	Seal-Oil	1:10	120-4262	2	O-Ring
1:3	127-9226	2	Gasket-Head, Cylinder	1:11	127-9267	1	Gasket-Cover, Crankcase
1:4	127-9230	2	Gasket-Intake	1:12	127-9271	1	Seal
1:5	127-9295	2	Gasket-Valve Cover	1:13	127-9273	1	O-Ring
1:6	120-4317	2	Gasket-Exhaust	1:14	127-9284	1	O-Ring
1:7	120-4257	1	Seal-Oil	1:15	127-9286	1	O-Ring

2 Ply Wheel and Tire Assembly No. 131-3673

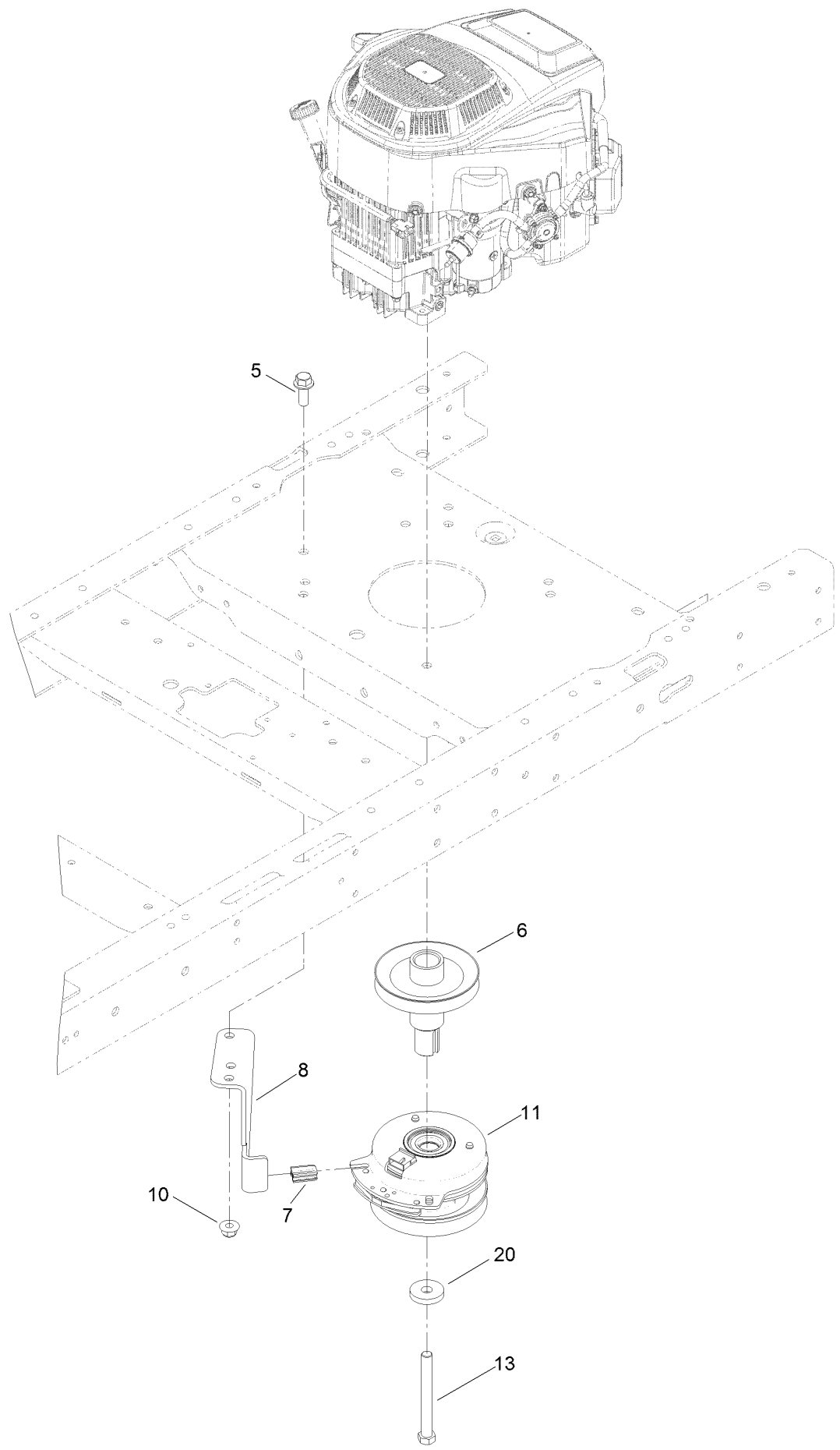


2 Ply Wheel and Tire Assembly No. 131-3673 (continued)

<i>Ref.</i>	<i>Part Number</i>	<i>Qty.</i>	<i>Description</i>
2	131-3680	1	Tire-2 Ply
3	232-27	1	Stem-Valve
4	93-3893	1	Tube-Inner ●

● Not illustrated

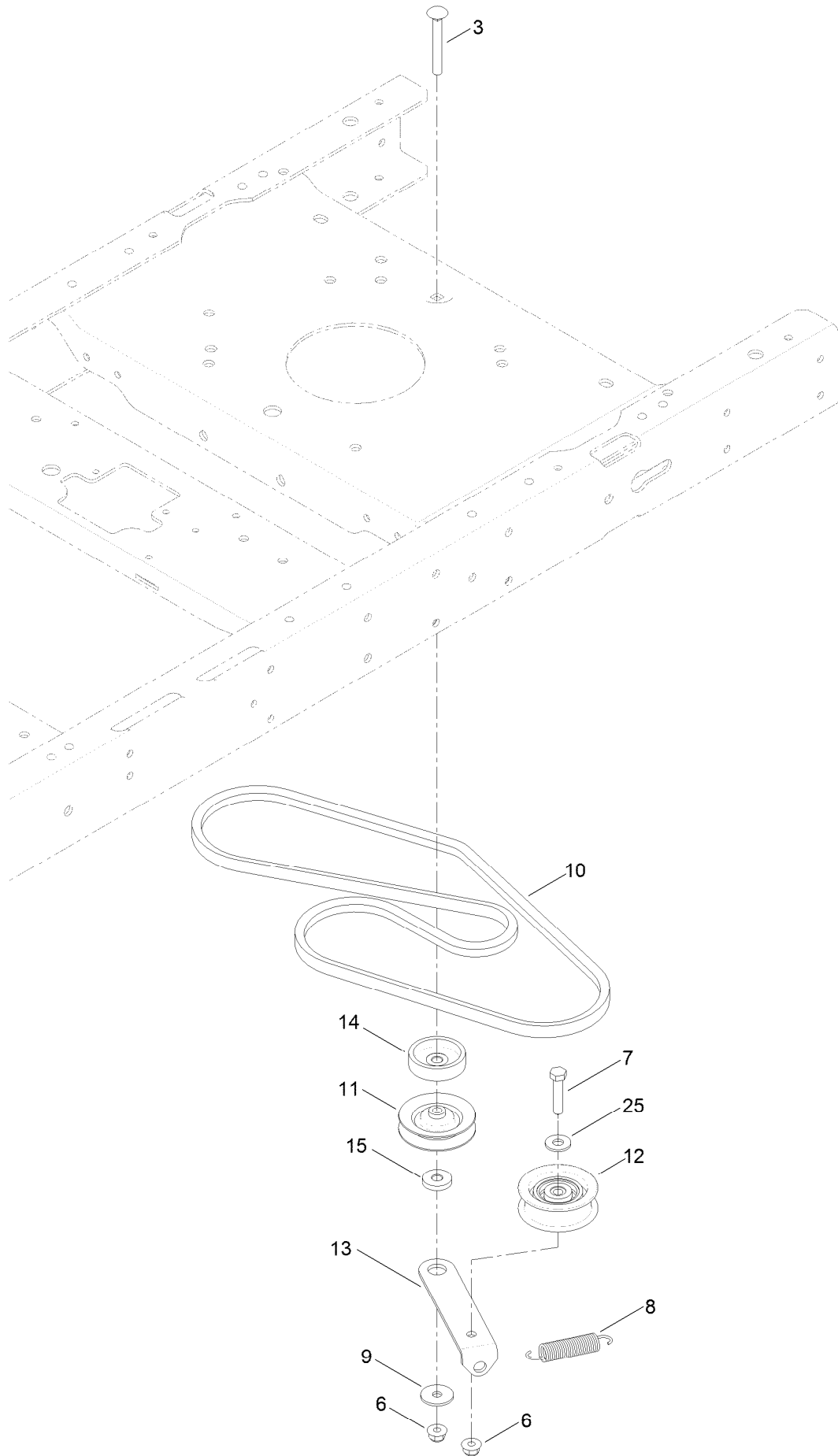
Clutch Assembly



Clutch Assembly (continued)

<i>Ref.</i>	<i>Part Number</i>	<i>Qty.</i>	<i>Description</i>	<i>Ref.</i>	<i>Part Number</i>	<i>Qty.</i>	<i>Description</i>
5	3234-42	1	Screw-HHF	10	104-8301	1	Nut-Hex Flg
6	130-6854	1	Pulley-Engine	11	127-3410	1	Clutch-PTO
7	120-2217	1	Isolator-Clutch	13	3212-19	1	Screw-HH
8	119-8885	1	Stop-Clutch	20	112843	1	Washer

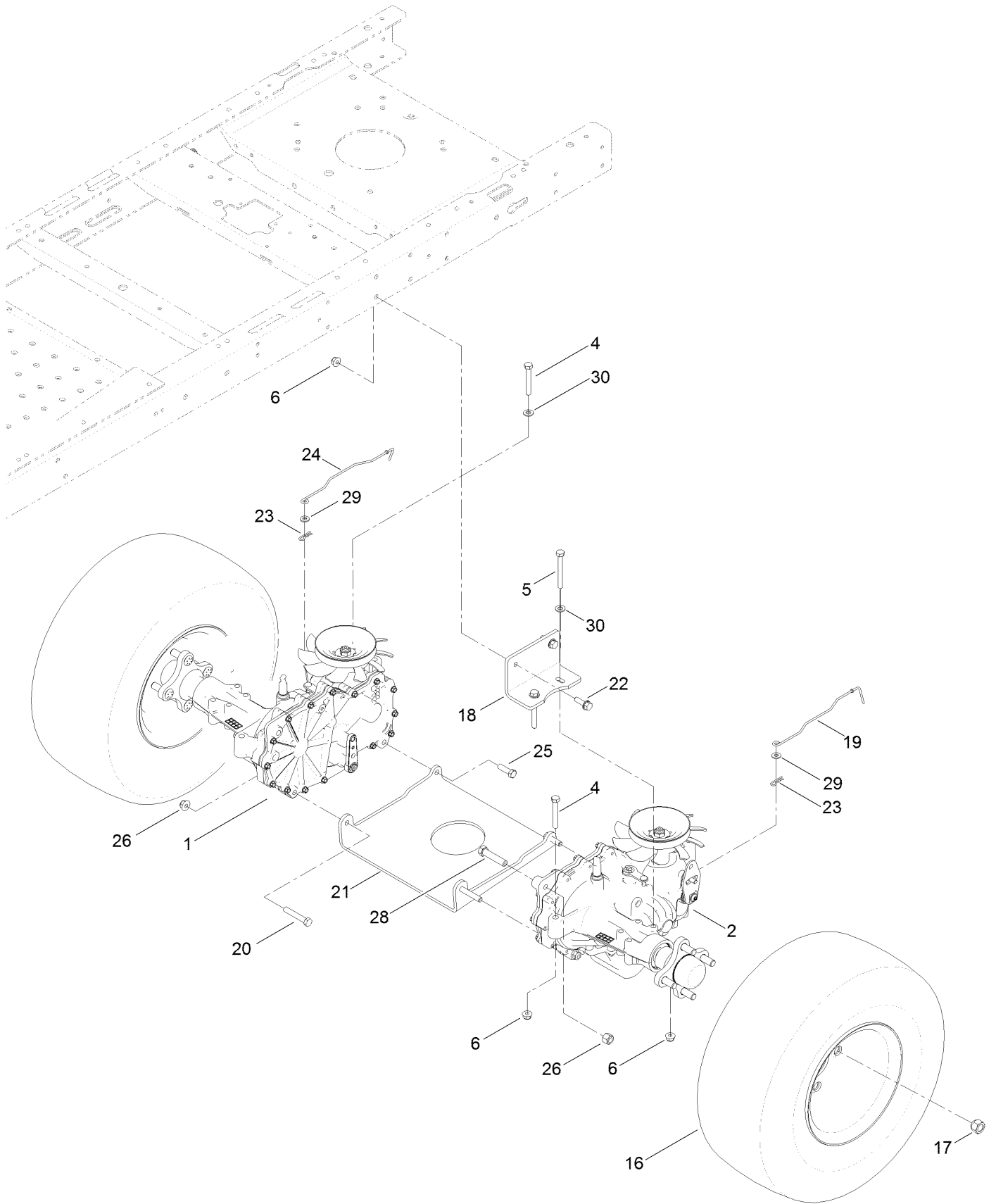
Belt and Idler Assembly



Belt and Idler Assembly (continued)

<i>Ref.</i>	<i>Part Number</i>	<i>Qty.</i>	<i>Description</i>	<i>Ref.</i>	<i>Part Number</i>	<i>Qty.</i>	<i>Description</i>
3	3230-8	1	Screw-CARR	11	119-8822	1	Pulley-Idler
6	104-8300	2	Nut-Flange, NI	12	106-2176	1	Pulley-Idler
7	322-7	1	Screw-HH	13	119-3326	1	Arm-Idler
8	104-6415	1	Spring-Return, Pedal	14	119-3353	1	Spacer
9	5-4460	1	Washer-Pivot	15	119-3327	1	Spacer-Arm, Idler
10	130-6976	1	V-Belt	25	3256-3	1	Washer-Flat

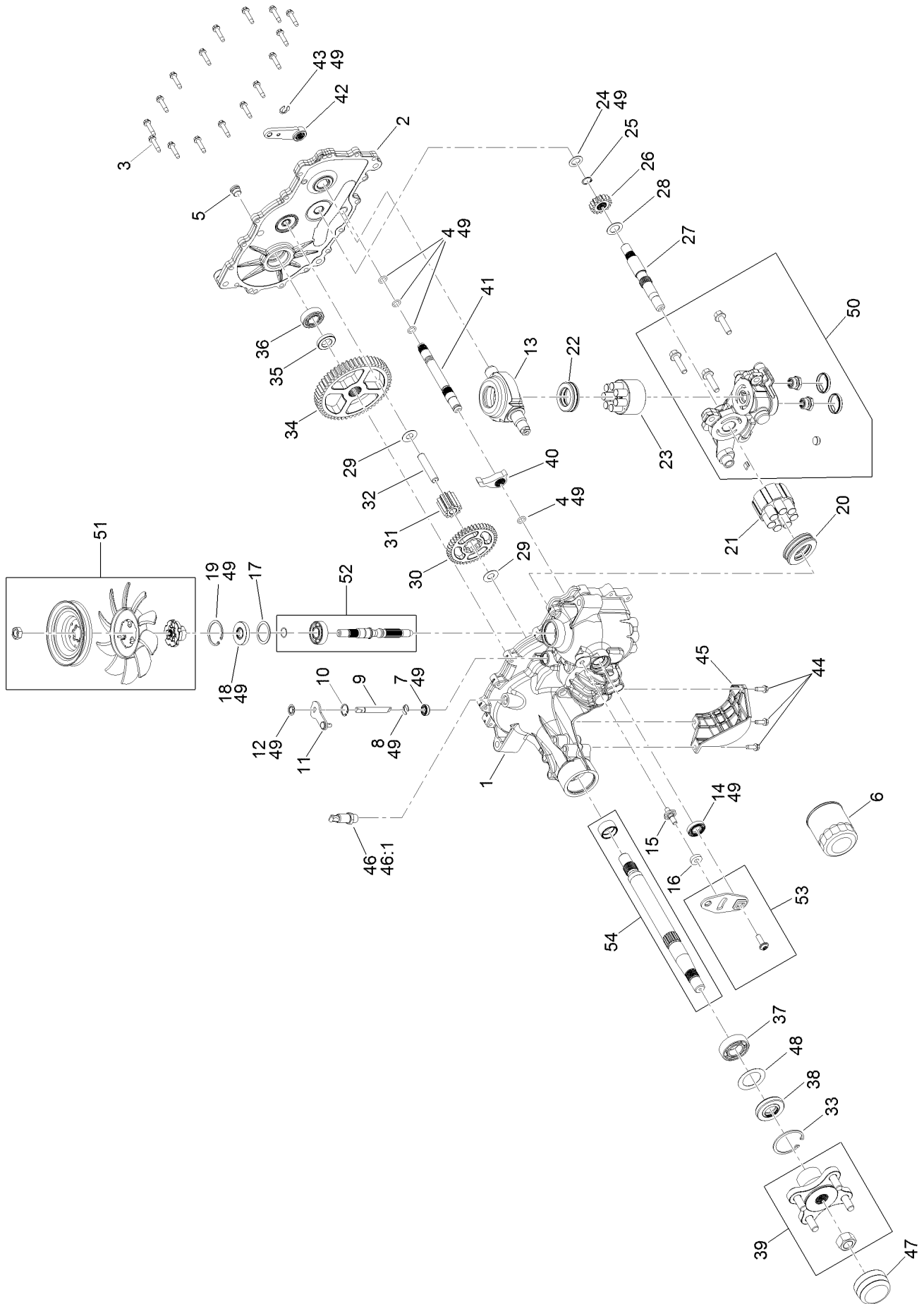
Hydro Transaxle Drive and Rear Wheel Assembly



Hydro Transaxle Drive and Rear Wheel Assembly (continued)

<i>Ref.</i>	<i>Part Number</i>	<i>Qty.</i>	<i>Description</i>	<i>Ref.</i>	<i>Part Number</i>	<i>Qty.</i>	<i>Description</i>
1	130-6961	1	RH Hydro Transmission ASM	20	323-11	2	Screw-HH
2	130-6960	1	LH Hydro Transmission ASM	21	130-0718-01	1	Plate-Cross, Hydro
4	322-11	4	Screw-HH	22	3234-29	4	Screw-HHF
5	322-13	4	Screw-HH	23	3290-307	2	Pin-Cotter
6	104-8300	12	Nut-Flange, NI	24	130-7047	1	Rod-Bypass, RH
16	131-3673	2	2 Ply Tire And Wheel ASM	25	323-7	2	Screw-HH
17	242-50	8	Nut-Lug	26	104-8301	6	Nut-Hex Flg
18	121-0745-01	2	Mount-Hydro	28	323-9	2	Screw-HH
19	130-7048	1	Rod-Bypass, LH	29	119-8952	2	Washer
				30	3256-23	6	Washer-Flat

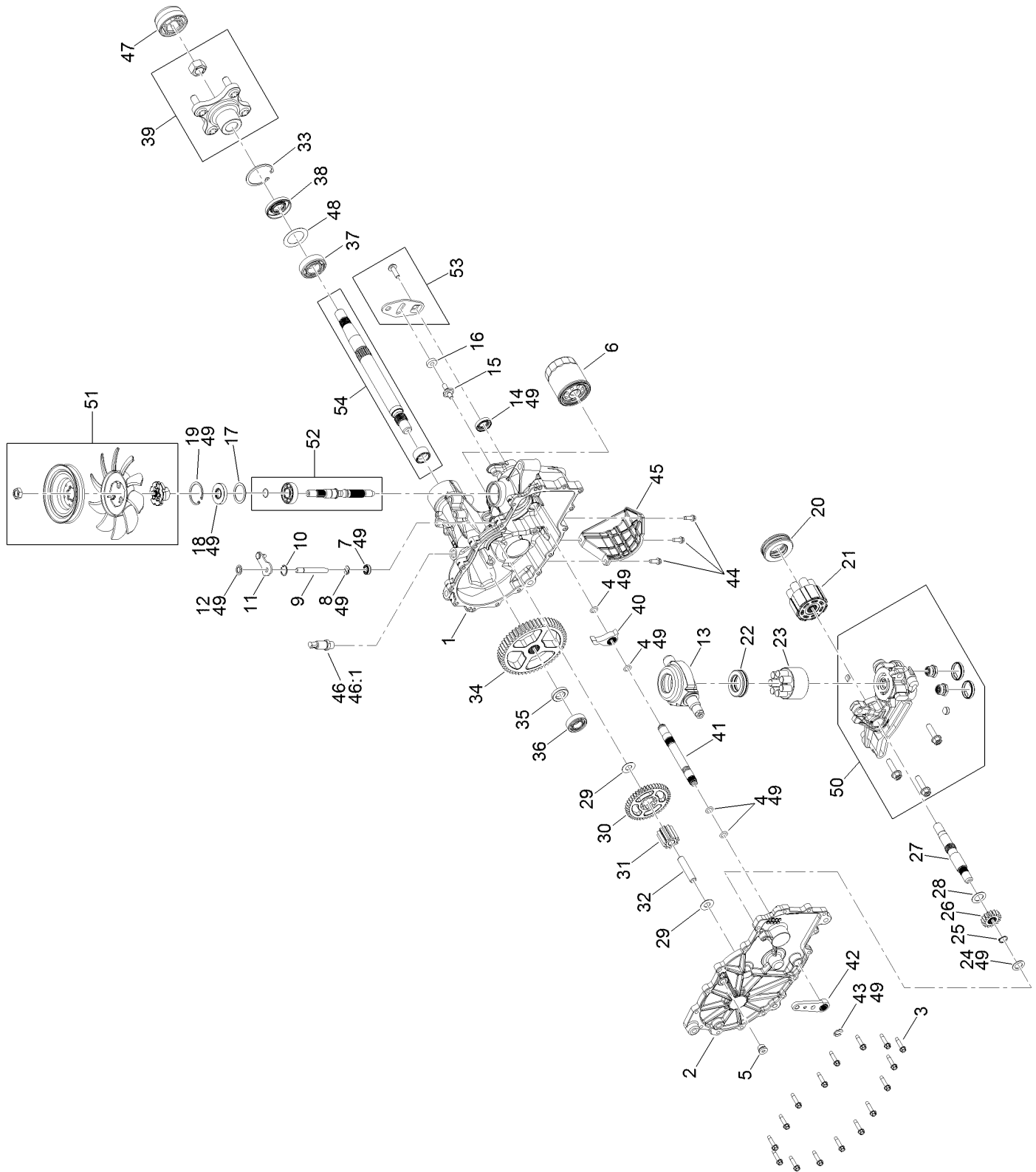
LH Transaxle Assembly No. 130-6960



LH Transaxle Assembly No. 130-6960 (continued)

<i>Ref.</i>	<i>Part Number</i>	<i>Qty.</i>	<i>Description</i>	<i>Ref.</i>	<i>Part Number</i>	<i>Qty.</i>	<i>Description</i>
1	125-0037	1	Main Housing Kit	29	94-1933	2	Washer
2	132-0939	1	RH Side Cover Kit	30	125-0000	1	Gear-43T
3	117-5359	16	Screw-HHF	31	114-1693	1	Gear-11T
4	114-1678	4	O-Ring	32	104-5329	1	Pin-Jackshaft
5	104-2189	1	Plug-Thread, Straight	33	104-2169	1	Ring-Retaining
6	109-3321	1	Element-Oil Filter, HYD	34	114-1694	1	Gear-54T
7	106-8676	1	Seal-Lip	35	120-7975	1	Spacer
8	106-8677	1	Ring-Retaining, EXT	36	126-0789	1	Bearing-Ball
9	114-1685	1	Rod-Bypass	37	120-7976	1	Bearing-Ball
10	106-8679	1	Ring-Retaining, Int	38	104-2144	1	Seal
11	112-9852	1	Arm-Bypass	39	109-5939	1	Hub Kit
12	106-8681	1	Ring-Retaining, EXT	40	114-1697	1	Pawl-Brake
13	104-5304	1	Swashplate-Trunnion	41	114-1698	1	Shaft-Brake, Inboard
14	104-5313	1	Seal-Lip	42	125-0021	1	Handle-Brake
15	104-2116	1	Stud	43	131-0906	1	Ring-Retaining, EXT
16	112-9853	1	Puck-Friction	44	104-2120	3	Screw
17	104-5308	1	Spacer	45	120-7981	1	Guard-Filter, RH
18	104-5310	1	Seal-Lip	46	109-3278	1	Adapter-Straight
19	104-5309	1	Ring-Retaining	46:1	237-42	1	O-Ring
20	112-4154	1	Bearing-Thrust	47	115-5057	1	Cover-Nut, Axle
21	114-1689	1	Motor Cylinder Block Kit	48	121-5745	1	Spacer
22	94-6922	1	Bearing-Thrust	49	109-3537	1	Seal Kit
23	110-8561	1	Pump Block ASM	50	132-0940	1	RH Center Section Kit
24	104-5339	1	Washer-Flat	51	121-5746	1	Fan Pulley Kit
25	104-5340	1	Ring-Retaining	52	114-8468	1	Input Shaft Kit
26	121-5749	1	Gear-16T	53	117-5362	1	Control Arm Kit
27	114-1691	1	Shaft-Motor	54	114-8470	1	Axle Shaft Kit
28	104-5360	1	Washer				

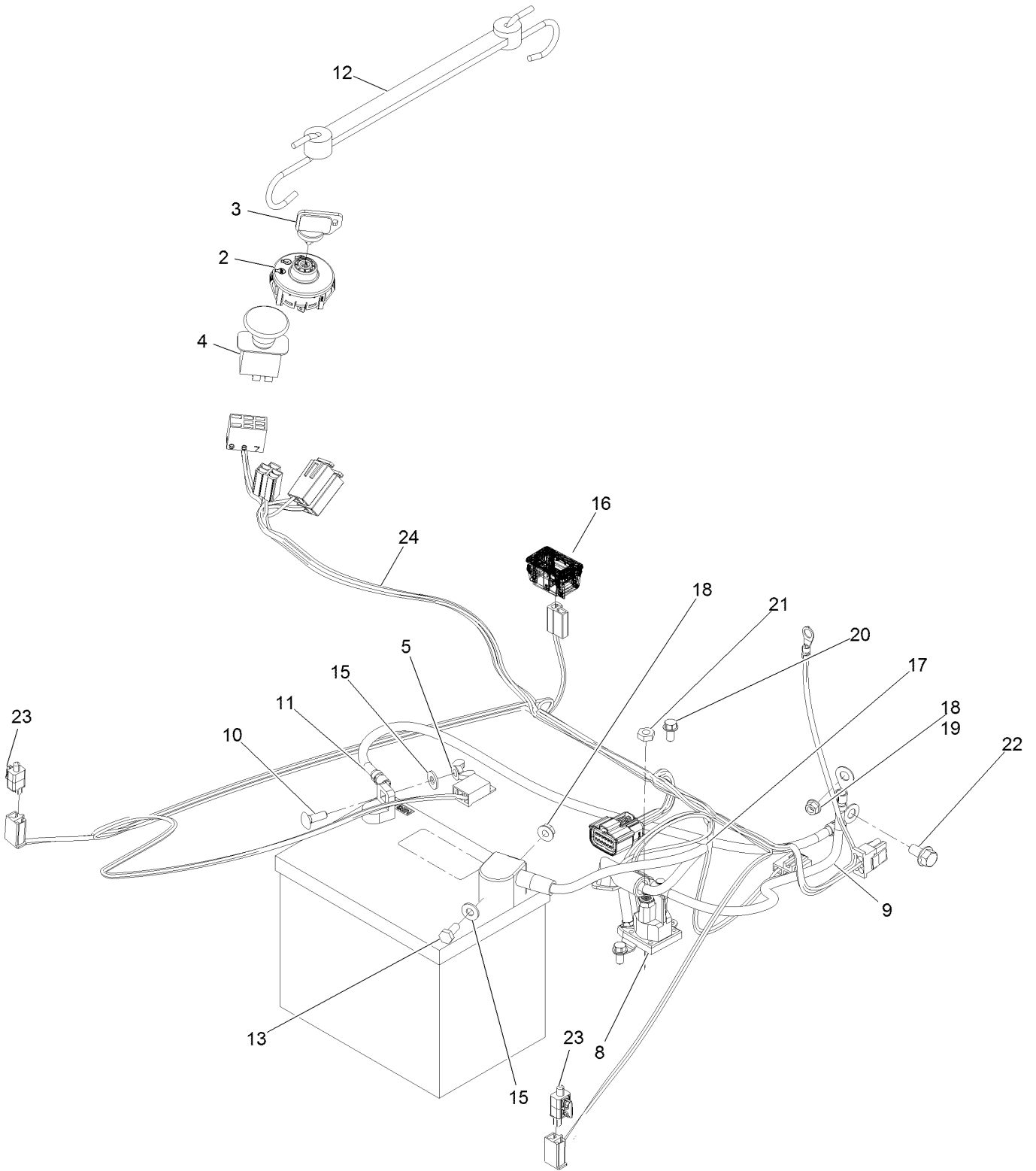
RH Transaxle Assembly No. 130-6961



RH Transaxle Assembly No. 130-6961 (continued)

<i>Ref.</i>	<i>Part Number</i>	<i>Qty.</i>	<i>Description</i>	<i>Ref.</i>	<i>Part Number</i>	<i>Qty.</i>	<i>Description</i>
1	121-5748	1	Main Housing Kit	29	94-1933	2	Washer
2	132-0938	1	LH Side Cover Kit	30	125-0000	1	Gear-43T
3	117-5359	16	Screw-HHF	31	114-1693	1	Gear-11T
4	114-1678	4	O-Ring	32	104-5329	1	Pin-Jackshaft
5	104-2189	1	Plug-Thread, Straight	33	104-2169	1	Ring-Retaining
6	109-3321	1	Element-Oil Filter, HYD	34	114-1694	1	Gear-54T
7	106-8676	1	Seal-Lip	35	120-7975	1	Spacer
8	106-8677	1	Ring-Retaining, EXT	36	126-0789	1	Bearing-Ball
9	114-1685	1	Rod-Bypass	37	120-7976	1	Bearing-Ball
10	106-8679	1	Ring-Retaining, Int	38	104-2144	1	Seal
11	107-2490	1	Arm-Bypass	39	109-5939	1	Hub Kit
12	106-8681	1	Ring-Retaining, EXT	40	114-1697	1	Pawl-Brake
13	104-5304	1	Swashplate-Trunnion	41	114-1698	1	Shaft-Brake, Inboard
14	104-5313	1	Seal-Lip	42	125-0021	1	Handle-Brake
15	104-2116	1	Stud	43	131-0906	1	Ring-Retaining, EXT
16	112-9853	1	Puck-Friction	44	104-2120	3	Screw
17	104-5308	1	Spacer	45	120-7979	1	Guard-Filter, LH
18	104-5310	1	Seal-Lip	46	109-3278	1	Adapter-Straight
19	104-5309	1	Ring-Retaining	46:1	237-42	1	O-Ring
20	112-4154	1	Bearing-Thrust	47	115-5057	1	Cover-Nut, Axle
21	114-1689	1	Motor Cylinder Block Kit	48	121-5745	1	Spacer
22	94-6922	1	Bearing-Thrust	49	109-3537	1	Seal Kit
23	110-8561	1	Pump Block ASM	50	125-0036	1	Center Section Kit
24	104-5339	1	Washer-Flat	51	121-5746	1	Fan Pulley Kit
25	104-5340	1	Ring-Retaining	52	114-8468	1	Input Shaft Kit
26	121-5749	1	Gear-16T	53	117-5362	1	Control Arm Kit
27	114-1691	1	Shaft-Motor	54	114-8470	1	Axle Shaft Kit
28	104-5360	1	Washer				

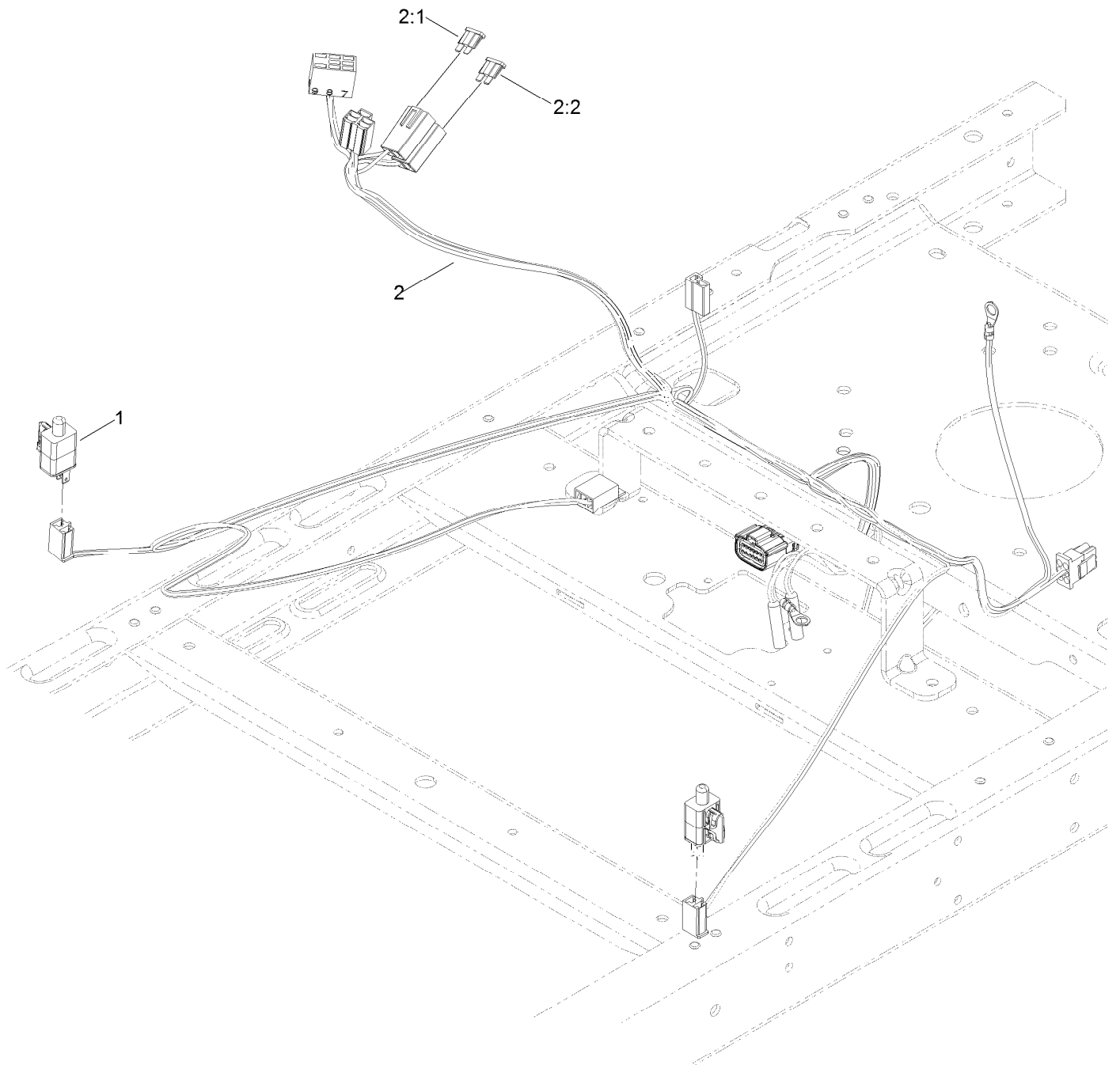
Electrical Assembly



Electrical Assembly (continued)

<i>Ref.</i>	<i>Part Number</i>	<i>Qty.</i>	<i>Description</i>	<i>Ref.</i>	<i>Part Number</i>	<i>Qty.</i>	<i>Description</i>
1	105-1692	1	Battery	13	321-3	1	Screw-HH 1/4-20 X 5/8
2	117-2221	1	Switch-Ignition	15	3256-22	2	Washer-1/4 SAE
3	103-2106	1	Key-Exmark Logo	16	120-2244	1	Hourmeter
4	103-5221	1	Switch-PTO	17	119-8897	1	Cable-Battery, Red
5	32103-22	1	Nut-Wing	18	32128-33	1	Nut-Whizlock 1/4-20
8	117-1197	1	Solenoid	19	33003-00	1	Nut-HF
9	121-0711	1	Cable-Battery, Positive	20	32144-4	2	Screw-HWH 1/4-20 X 1/2 Taptite
10	3229-1	1	Bolt-Carriage 1/4-20 X 3/4	21	3220-2	2	Nut-Jam 5/16-24
11	119-8899	1	Cable-Battery, Black	22	3234-14	1	Screw-HHF
12	104-2466	1	Holddown-Battery				

Fuse and Wire Harness Assembly



Fuse and Wire Harness Assembly (continued)

<i>Ref.</i>	<i>Part Number</i>	<i>Qty.</i>	<i>Description</i>	<i>Ref.</i>	<i>Part Number</i>	<i>Qty.</i>	<i>Description</i>
1	110-6765	2	Switch	2:1	109103	1	Fuse-Blade, 30 Amp
2	132-0924	1	Harness-Wire ●	2:2	109102	1	Fuse-Blade, 25 Amp

● Use dielectric grease on all unsealed connectors and terminals only. Do not apply in sealed connectors.

Notes:

Notes:

Notes:



MAXIMIZE THE PERFORMANCE OF YOUR EXMARK MACHINE.



EXMARK® PREMIUM ENGINE OIL

Exmark now offers a family of engine oil viscosities to perform well in any environment. Each viscosity has the same synthetic formulation to give you what you need in punishing conditions. We designed each grade to the highest quality, making it ideal even for diesel applications. Coupled with Exmark Premium Fuel Treatment, we have the performance products to make your machine hum.

EXMARK PREMIUM ENGINE OIL SAE 30/10W-30

- Meets zero shear requirements of a straight grade SAE 30 as well as the cold temp properties of a 10W-30.
- Most versatile oil in the industry.
- Superior corrosion protection over conventional oil - even in corrosive, humid environments.

EXMARK PREMIUM ENGINE OIL SAE 20W-50

- Perfect for your big block engine, or any application in severe service.
- Same full synthetic formulation as all other Exmark Premium viscosities.
- Also effective for use in severe service small block engines.

EXMARK PREMIUM ENGINE OIL SAE 10W-50

- Full synthetic formulation gives you peak performance. Don't settle for less.
- Wide span multi-grade combines easy starting in cold weather with maximum protection in high temperature operation.
- Reduce friction & wear over standard mineral formulations.

EXMARK PREMIUM ENGINE OIL SAE 0W-40

- The perfect choice for when the weather turns cold or unpredictable, and your Exmark UTV has to perform.
- Commercial quality for severe service.
- Advanced additive package helps prevent corrosion from long-term storage.

EXMARK PREMIUM ENGINE OIL UTV FORMULATION

- 4-cycle high-temp formulation.
- Heavier viscosity, full synthetic, perfect for your UTV.

EXMARK PREMIUM UTV EXTREME CONDITIONS GEAR OIL

- SAE 80W-90, designed to keep your UTV performing at its peak.
- Shear stable, hypoid gear lube.
- Includes a premium additive system to combat wear, oxidation, rust & corrosion.

Available from your local Exmark dealer. Find your closest dealer at exmark.com

EXMARK ACCESSORIES AND OPTIONS*

MID-MOUNT RIDING ACCESSORIES AND OPTIONS

CUSTOM RIDE SEAT SUSPENSION SYSTEM	OPERATOR CONTROLLED DISCHARGE
FULL SUSPENSION SEAT	SUN SHADE
DECK LIFT ASSIST KIT	TRASH CONTAINER
HITCH KIT	TURF STRIPER
LIGHT KIT	ULTRA VAC COLLECTION SYSTEM
12V POWER PORT	ULTRA VAC QUICK DISPOSAL SYSTEM
MICRO-MULCH SYSTEM	

OUT-FRONT RIDING ACCESSORIES AND OPTIONS

CUSTOM RIDE SEAT SUSPENSION SYSTEM	SNOW BLADE
DUAL-TAIL WHEEL	SNOWBLOWER
FLOOR PAN EXTENDER	SUN SHADE
HITCH KIT	TRASH CONTAINER
LIGHT KIT	ULTRA VAC COLLECTION SYSTEM
MICRO-MULCH SYSTEM	ULTRA VAC QUICK DISPOSAL SYSTEM
ROLL OVER PROTECTION SYSTEM (ROPS)	WEATHER CAB

WALK-BEHIND ACCESSORIES AND OPTIONS

GRASS CATCHER	TURF STRIPER
MICRO-MULCH SYSTEM	STANDON

*Some accessories and options not available for some models.

Place Model No. and Serial No.
Label Here (Included in the Literature
Pack) or Fill in Below

Model No. _____

Serial No. _____

Date Purchased _____

Engine Model No. and Spec. No. _____

Engine Serial No. (E/No) _____

© 2017 Exmark Mfg. Co., Inc.
Industrial Park Box 808
Beatrice, NE 68310
All Rights Reserved

Part No. 4502-739 Rev. B
(402) 223-6290
Fax (402) 223-5489
Printed in the USA.

