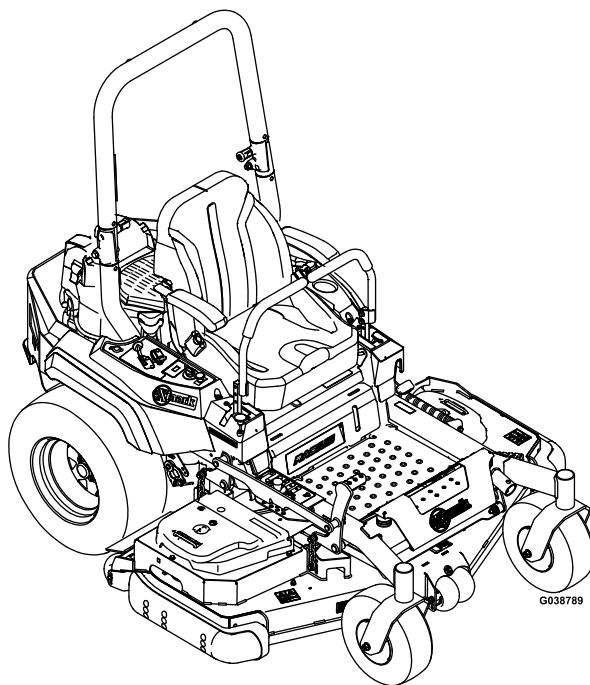




RADIUS® S-SERIES

Model No. RAS740GKC60R00—Serial No. 40000000 and Up

Picture below may not reflect actual product.



Parts Manual

Ordering Replacement Parts

To order replacement parts, please supply the part number, the quantity, and the description of each part desired.

Understanding Reference Numbers

Each identified part in an illustration has a reference number. The reference number for a part also appears in the parts list, along with other information about the part.

This catalog uses two special reference number formats, one to indicate parts in a service assembly and another to indicate the quantity of a given part in an illustration.

Service Assembly Reference Numbers

Parts in service assemblies have reference numbers in the form a:b. The a represents the reference number of the entire service assembly and the b represents a sequential number unique to each part within the service assembly.

For example, a wheel assembly might be identified by reference number 6, the tire by 6:1, the valve by 6:2, and the wheel by 6:3. When you order the assembly identified by reference number 6, you receive all parts identified by reference numbers 6:1, 6:2, and 6:3. However, you may also order any part individually. Reference numbers of this type appear in illustration and in parts lists.

Reference Numbers Indicating Quantity

In an illustration, if a reference number indicates more than one part, the reference number has the form nX y. The n represents the quantity of the part, the X is the multiplication symbol, and the y represents the reference number.

For example, in an illustration, the reference number 2X 37 means that two of the parts identified by reference number 37 are indicated.

Touch Up Paint

Exmark black touch up spray paint – gloss black.

Exmark red touch up paint (spray paint – P/N 1-850337 - .6 oz liquid bottle – P/N 103-9140).

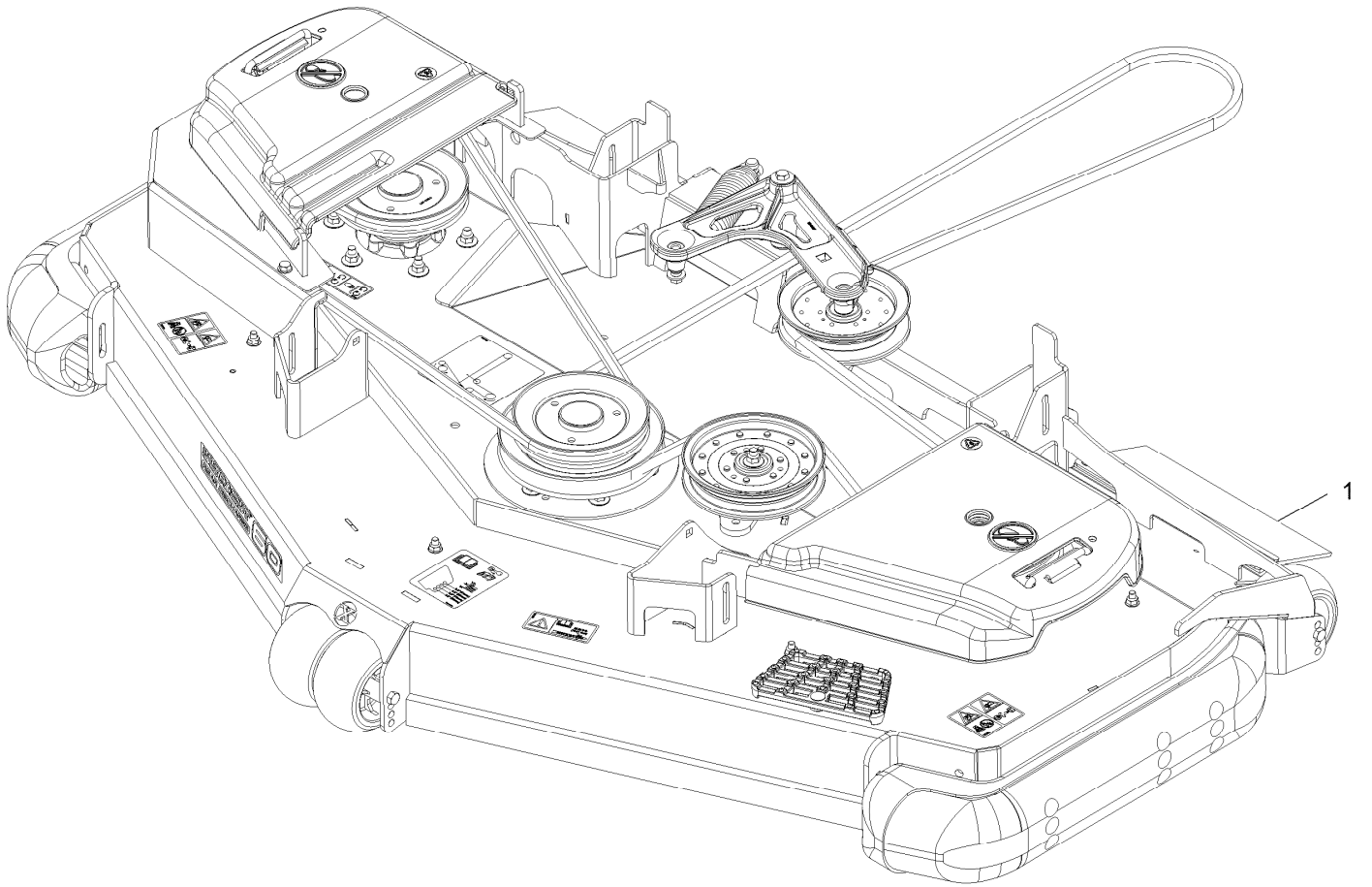


If your Exmark dealer does not have the Exmark part in stock, Exmark will get the parts to the dealer the next business day or the part will be FREE Guaranteed!! (Some restrictions apply. See your participating Exmark Dealer for details.)

Contents

Complete Deck Assembly.....	4
Deck Assembly.....	6
Deck W/Decals Assembly.....	8
Discharge Tunnel Assembly No. 126-1985.....	10
Idler Assembly No. 126-0853.....	12
Idler Arm W/Bearings Assembly.....	14
Frame Assembly.....	16
Caster Wheel Assembly.....	18
Roll-Over Protection System Assembly.....	20
Deck Lift Assembly.....	22
Deck Strut Assembly.....	24
Controls Assembly.....	26
Motion Control Assembly.....	28
LH Motion Control Assembly.....	30
RH Motion Control Assembly.....	32
Seat Assembly.....	34
Seat W/Tracks Assembly.....	36
Fuel Assembly.....	38
Fuel Tank Assembly (cont.).....	40
Engine Assembly.....	42
Hydraulic Assembly.....	44
LH Transaxle Assembly.....	46
RH Transaxle Assembly.....	48
Electrical Assembly.....	50
Harness Assembly.....	52

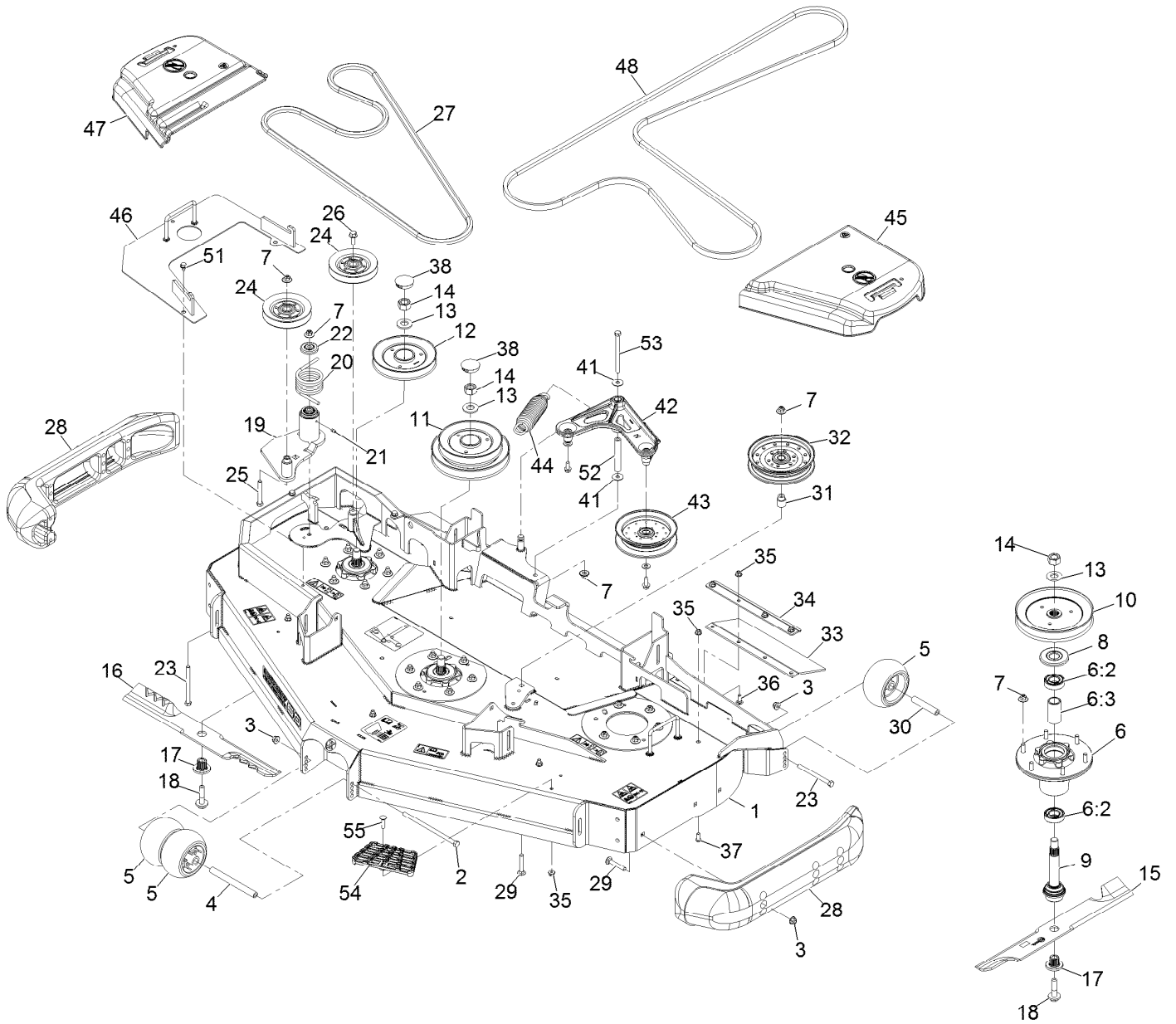
Complete Deck Assembly



Complete Deck Assembly (continued)

<i>Ref.</i>	<i>Part Number</i>	<i>Qty.</i>	<i>Description</i>
1	126-8042	1	ASM-Deck Complete 60Rd

Deck Assembly



Deck Assembly (continued)

<i>Ref.</i>	<i>Part Number</i>	<i>Qty.</i>	<i>Description</i>	<i>Ref.</i>	<i>Part Number</i>	<i>Qty.</i>	<i>Description</i>
1	126-3682	1	ASM-Deck W/Decals 60Rd	23	323-23	3	Screw-HH 3/8-16 X 4-1/2
2	108-5388	1	Screw-HH 3/8-16 X 7 3/8	24	126-1478	2	Sheave
3	104-8301	9	Nut-Nyloc 3/8-16 Flg	25	323-13	1	Screw-HH 3/8-16 X 2 3/4
4	98-5967	1	Spacer-Wheel	26	3234-11	1	Screw-HH Flg 3/8-16 X 1
5	1-603299	4	Roller-Scalp, Anti	27	116-8187	1	Belt
6	116-3344	3	ASM-Cutter Hsg With Bearings	28	112-1479	2	Skid-Bumper, Deck
6:2	116-0720	2	Bearing-Ball	29	3231-7	7	Bolt-Carriage 3/8-16 X 2 1/4
6:3	116-3312	1	Spacer-Bearing	30	98-7912	2	Tube-Spanner
7	109-6658	22	Nut-Nyloc 3/8-16 Flg	31	1-633456	1	Bushing, Idler
8	116-1286	3	Guard,Bearing Top .989	32	126-9189	1	Idler-Pulley, Flat 6.00X1.00
9	116-3341	3	ASM-Spindle And Seal ▲	33	116-8191	2	Guard-Tire
10	116-0676	1	Sheave,Blade Drive 7.25	34	126-0413-01	2	Support-Outer Flap
11	126-0352	1	Sheave, Double 60Rd	35	104-8300	15	Nut-Nyloc 5/16-18 Flg
12	126-0354	1	Sheave-Rd Rev Drive Series 4	36	3230-16	8	Bolt-Carriage 5/16-18 X 7/8
13	103-2802	3	Washer-Spring Disc 3/4	37	3274-55	6	Screw-Button Head 5/16-18 X 3/4
14	116-7306	3	Nut-Hex ■	38	116-2253	2	Plug,Black Nylon 1.75
15	103-6388	2	Blade, Low Lift	41	52-2860	2	Washer
15	103-6403	2	Blade, Notched	42	126-0976	1	Idler Arm ASM
15	116-5174	2	Blade-Extreme 2, 20.50"	43	126-9196	1	Idler-Pulley, Flat
16	116-8181	1	Blade-Extreme 2-20.50, Rd60	44	116-6317	1	Spring-Extension
16	116-8196	1	Blade-Low Lift 20.5, Rd60	45	126-1989	1	Cover-Belt, LH
17	103-3037	3	Bushing, Splined	46	126-5116-01	1	ASM-Rev Drive 60Rd
18	109-9220	3	Screw-Sems 1/2-20 X 2.19 ●◆	47	116-0094	1	Cover-Belt, RH
19	126-0853	1	Idler ASM	48	126-6628	1	Belt-V
20	108-1921	1	Spring-Torsion	51	9266934	3	Screw-HWH 5/16 X 1/2 Tf
21	302-19	1	Zerk-1/4-28 Str	52	116-5111	1	Bushing
22	103-2916	1	Guard-Top	53	323-38	1	Screw-HH 3/8-16 X 4 3/4
				54	126-4781-03	1	Step-Deck
				55	3230-3	1	Bolt-Carriage 5/16-18 X 1 1/4

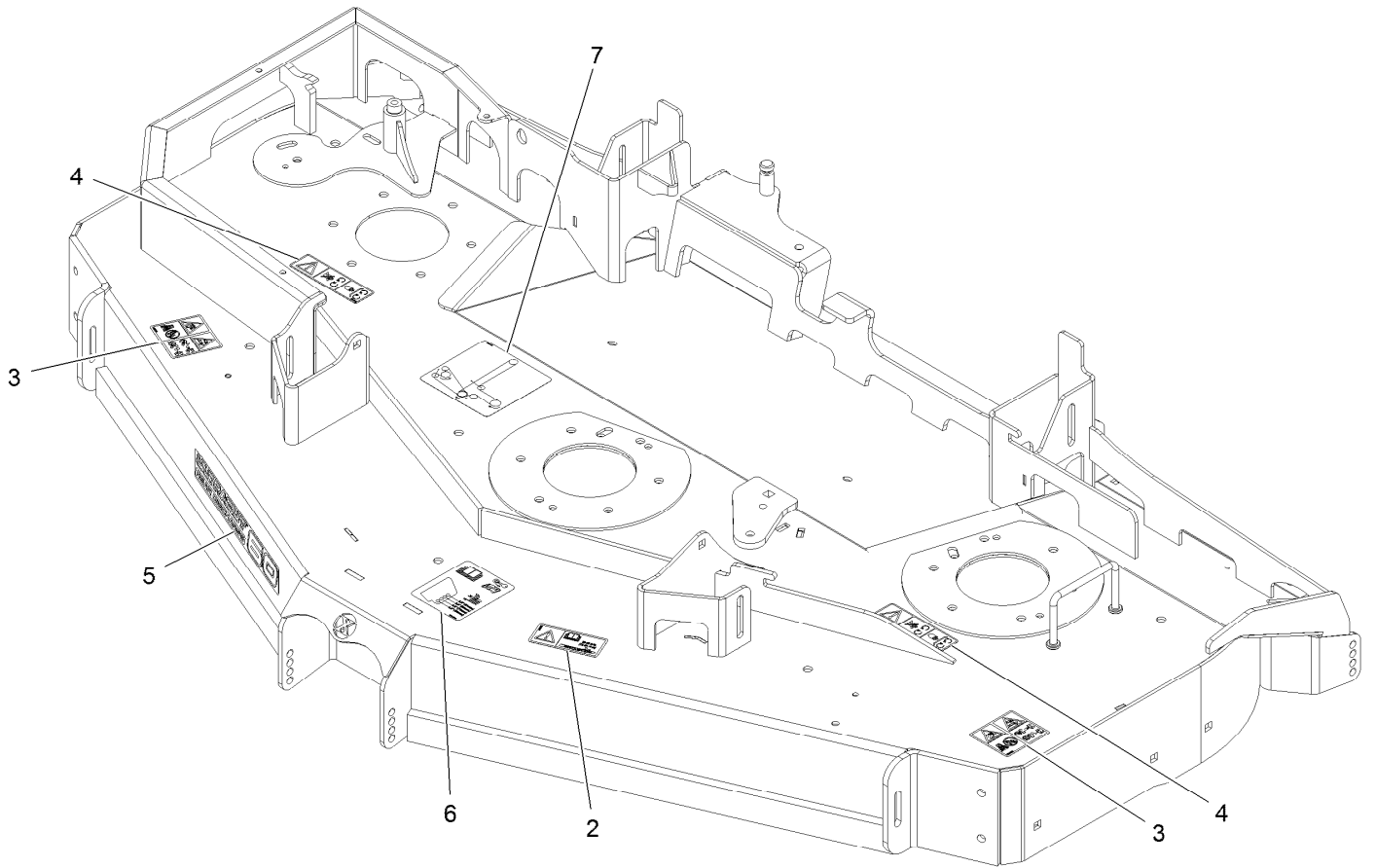
● Torque to 50-60 ft-lb

■ Torque to 130-160 ft-lb

▲ Apply Mobil HTS grease (P/N 103-5217 1.5 oz packet) (or a food-grade anti-seize) to spindle shaft

◆ Apply lubricant to threads as needed to prevent seizing. Copper based anti-seize preferable. Grease is an acceptable substitute.

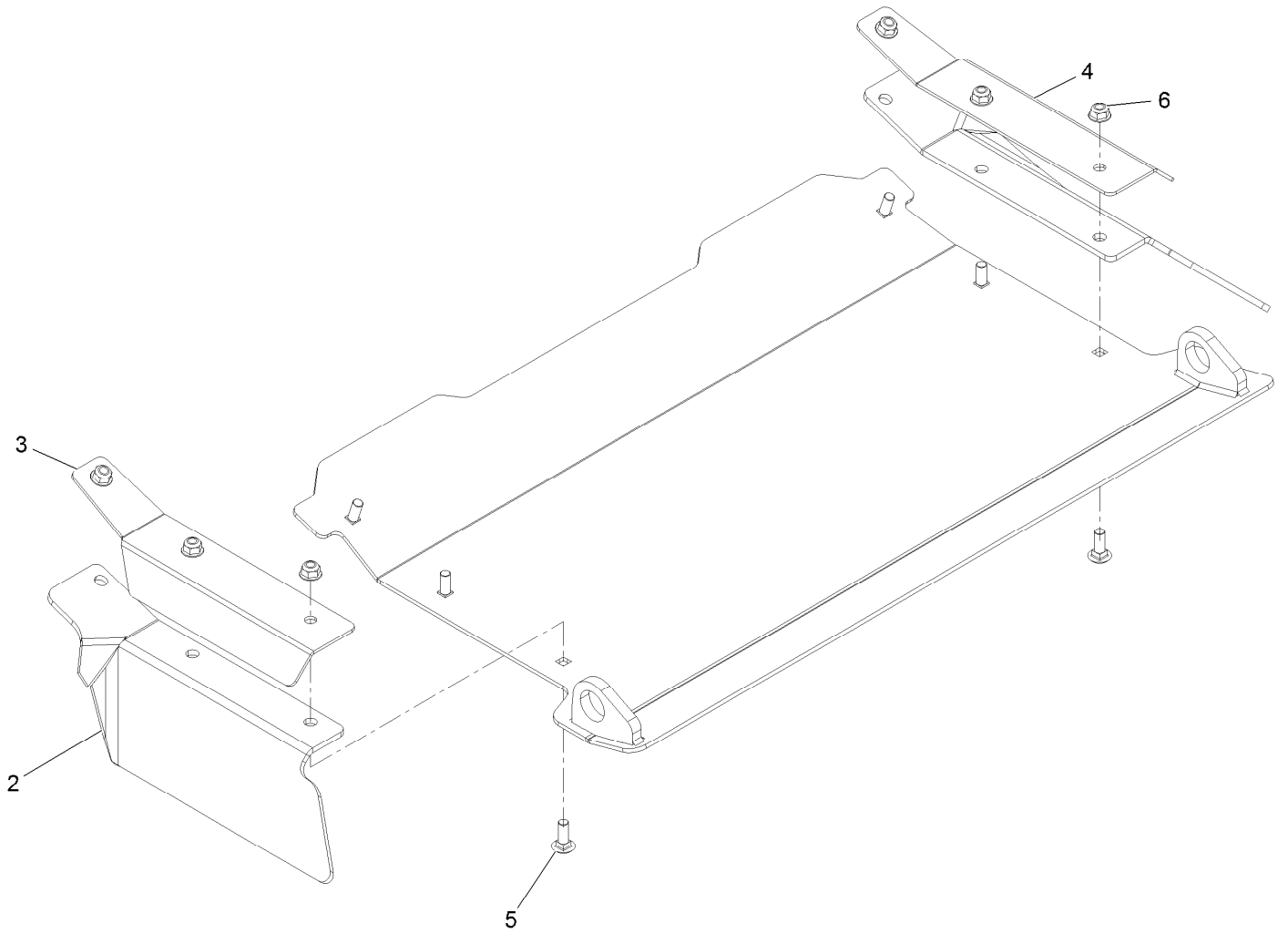
Deck W/Decals Assembly



Deck W/Decals Assembly (continued)

<i>Ref.</i>	<i>Part Number</i>	<i>Qty.</i>	<i>Description</i>	<i>Ref.</i>	<i>Part Number</i>	<i>Qty.</i>	<i>Description</i>
2	116-8283	1	Decal-Bolt Torque	5	126-6596	1	Decal, 60Rd
3	135-0664	2	Decal-Danger Thrown Obj	6	109-6036	1	Decal-Roller, Anti-Scalp
4	112-9028	2	Decal-Missing, Cover	7	126-0768	1	Decal-Routing, Belt

Discharge Tunnel Assembly No. 126-1985

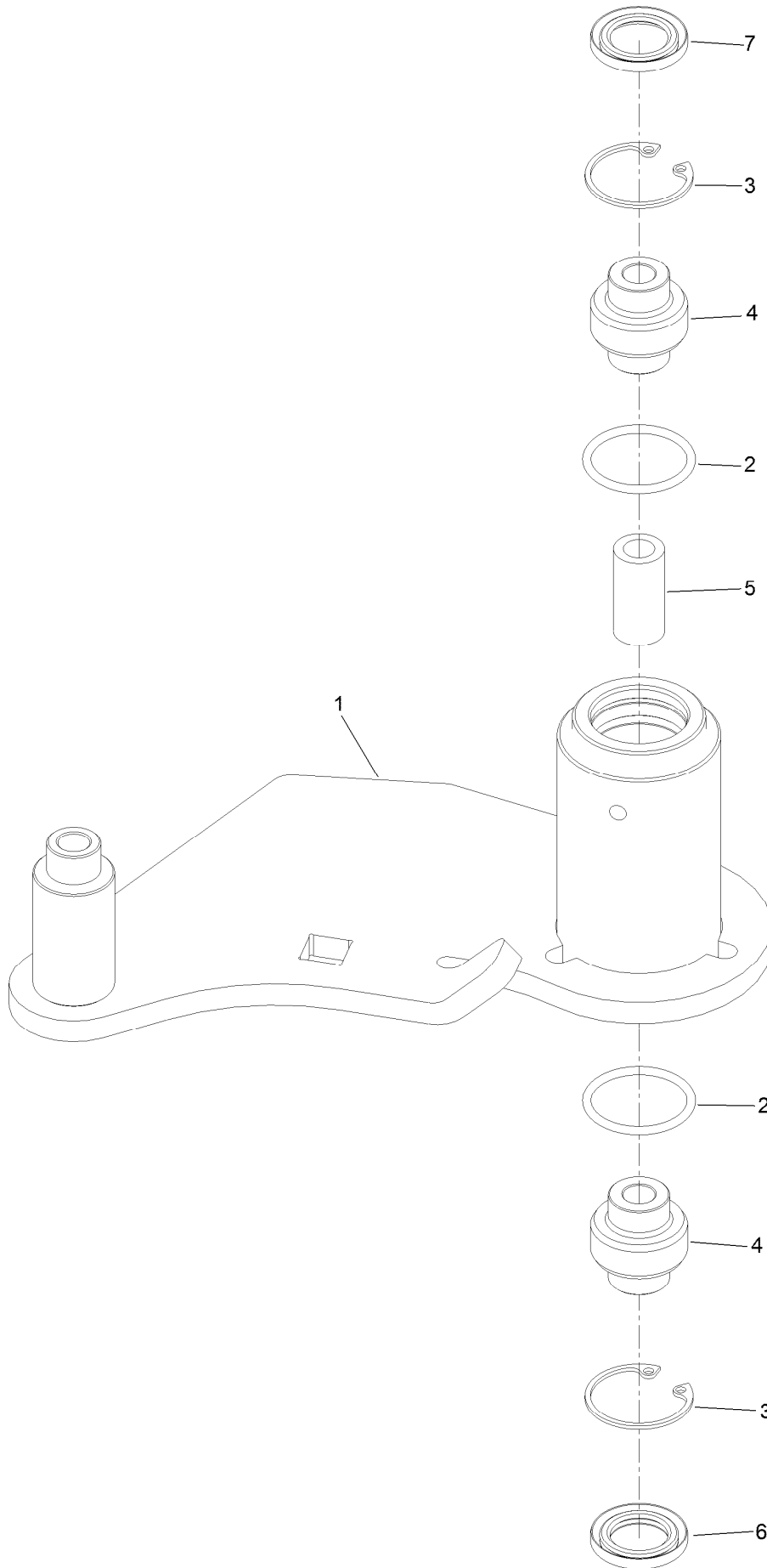


Discharge Tunnel Assembly No. 126-1985 (continued)

<i>Ref.</i>	<i>Part Number</i>	<i>Qty.</i>	<i>Description</i>
2	125-9368	2	Flap-Rubber
3	125-9366-03	1	Bracket-Flap, LH
4	125-9367-03	1	Bracket-Flap, RH

<i>Ref.</i>	<i>Part Number</i>	<i>Qty.</i>	<i>Description</i>
5	3230-16	6	Bolt-Carriage 5/16-18 X 7/8
6	104-8300	6	Nut-Nyloc 5/16-18 Flg

Idler Assembly No. 126-0853



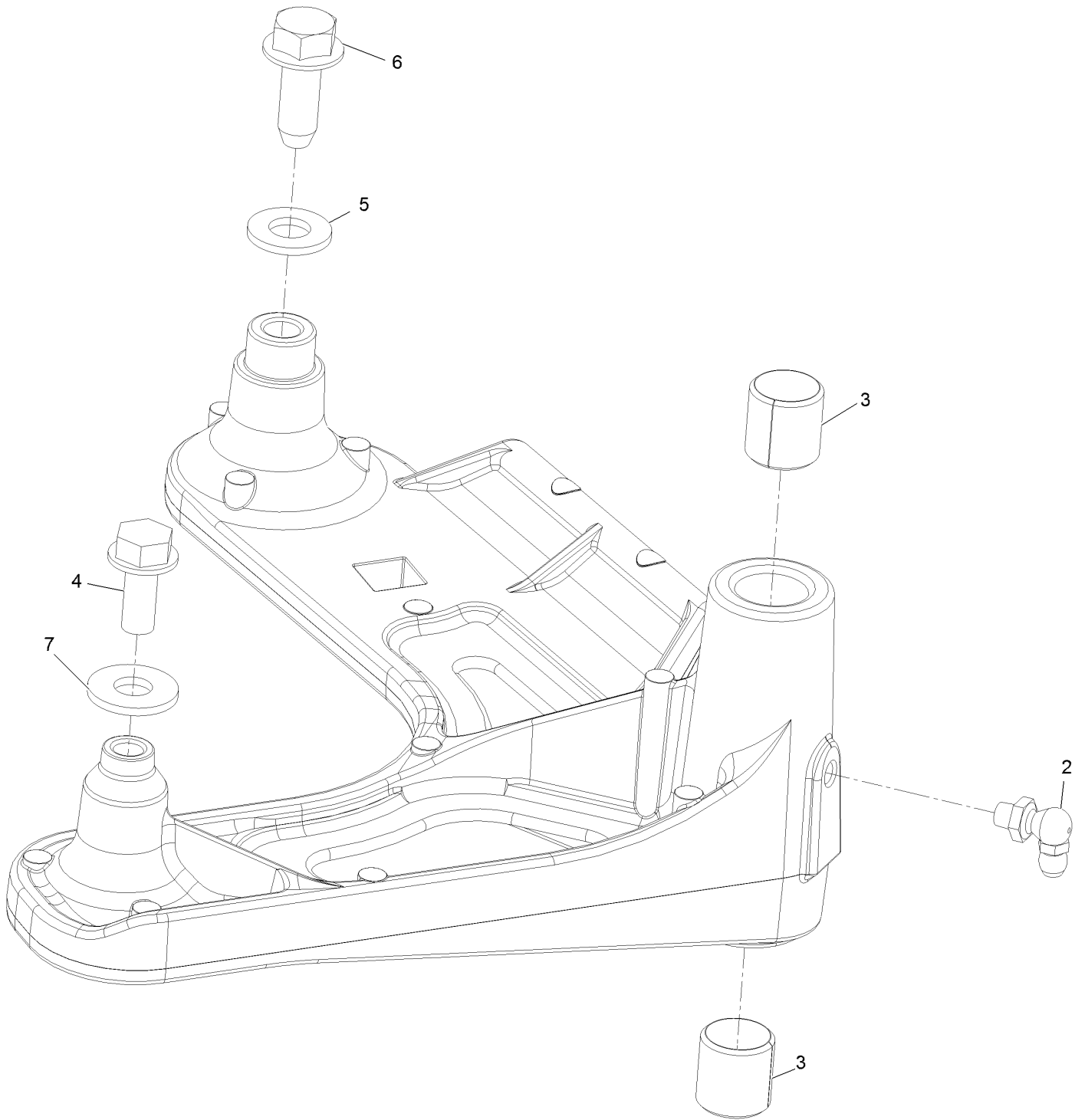
Idler Assembly No. 126-0853 (continued)

<i>Ref.</i>	<i>Part Number</i>	<i>Qty.</i>	<i>Description</i>
1		1	Idler-Deck ●
2	106-7159	2	O-Ring
3	32120-10	2	Ring-Snap
4	103-3504	2	Bearing-Spherical

<i>Ref.</i>	<i>Part Number</i>	<i>Qty.</i>	<i>Description</i>
5	108-6544	1	Spacer
6	103-3505	1	Seal-Double Lip
7	103-3506	1	Seal-Lip, Single

● Not serviced separately

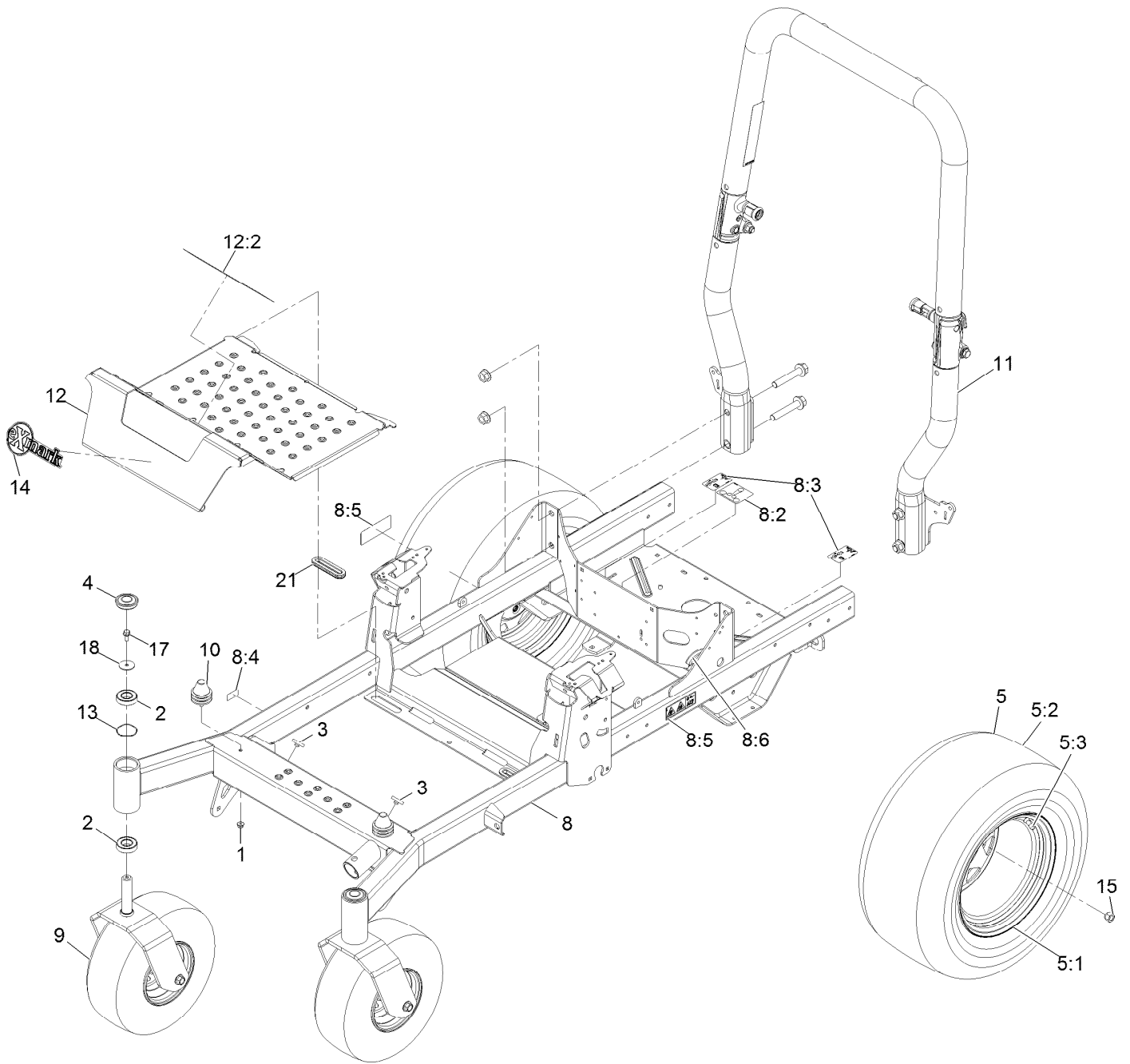
Idler Arm W/Bearings Assembly



Idler Arm W/Bearings Assembly (continued)

<i>Ref.</i>	<i>Part Number</i>	<i>Qty.</i>	<i>Description</i>	<i>Ref.</i>	<i>Part Number</i>	<i>Qty.</i>	<i>Description</i>
2	302-40	1	Zerk-90° 1/4-28	5	3256-24	1	Washer-3/8 SAE
3	1-513034	2	Sleeve-Bearing	6	126-1696	1	Screw-Forming, Thread
4	32144-11	1	Screw-HWH 5/16-18 X 3/4 Tf	7	3256-3	1	Washer-5/16 Std

Frame Assembly

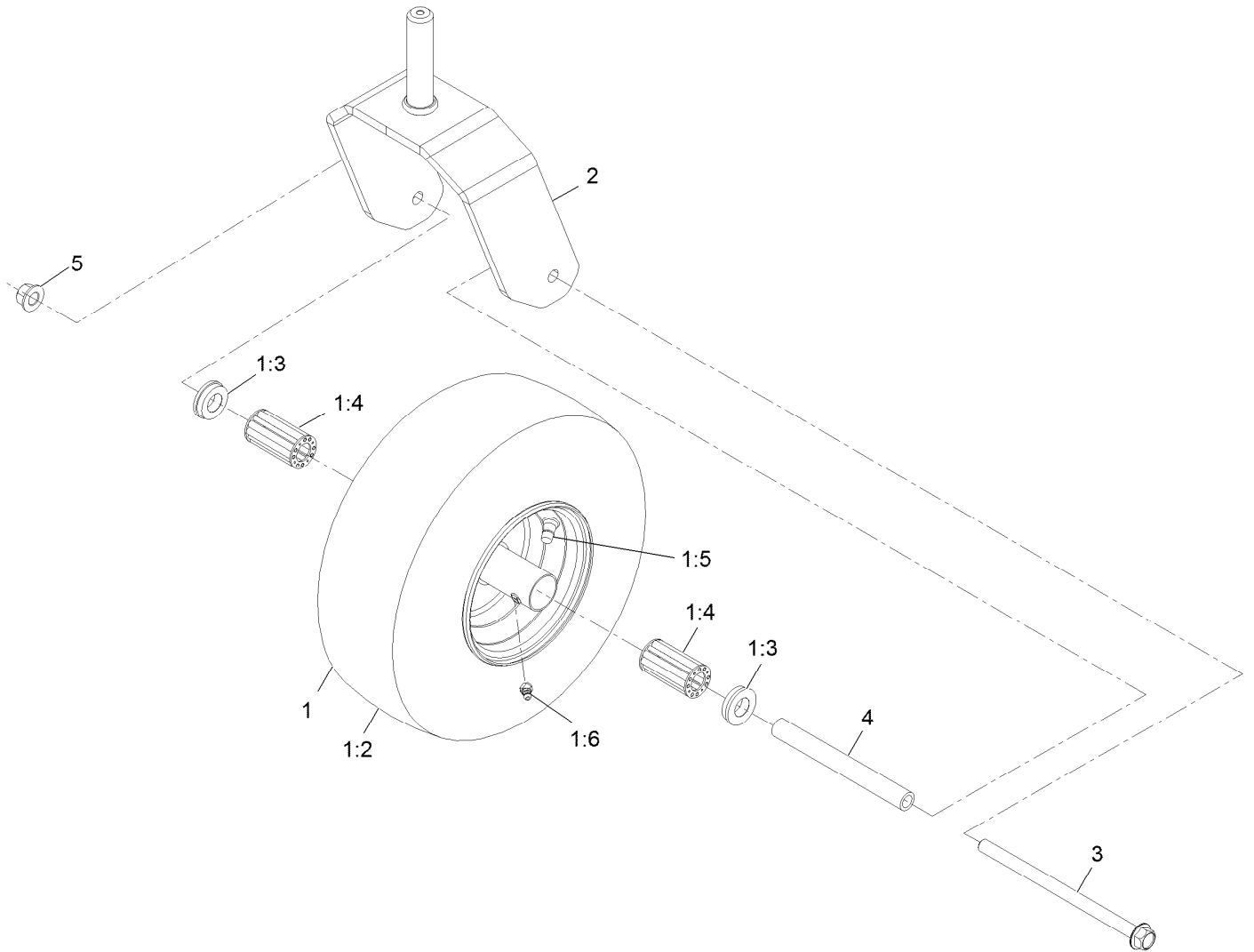


Frame Assembly (continued)

<i>Ref.</i>	<i>Part Number</i>	<i>Qty.</i>	<i>Description</i>	<i>Ref.</i>	<i>Part Number</i>	<i>Qty.</i>	<i>Description</i>
1	104-8300	2	Nut-Nyloc 5/16-18 Flg	8:6	127-6618	1	Strip-Seal
2	109-3678	4	Bearing-Ball	9		2	ASM-Front Caster W/Fork ●
3	109-9233	2	Bumper-Push-In, Rubber	10	126-5491	2	Isolator
4	116-4348	2	Cap-Grease	11	126-9525	1	ASM-ROPS Tapered
5	126-7835	2	Wheel And Tire ASM	12	126-5872	1	PAN-Floor
5:1	126-2877	1	Wheel Rim 12X8.5	12:2	126-8383	1	Decal-Danger
5:2	120-3269	1	Tire	13	126-5897	2	Spring
5:3	232-27	1	Stem-Valve	14	126-8819	1	Decal-Exmark Logo
8	126-4712	1	Frame ASM	15	242-50	8	Nut-Lug 1/2-20
8:2	109-6014	1	Decal-Routing, Belt	17	3234-5	2	Screw-HH Flg 5/16-18 X 3/4
8:3	116-8588	2	Decal-Release, Drive	18	3256-68	2	Washer-Flat
8:4	126-4345	1	Decal-Patent	21	126-7065	2	Grommet-Rubber
8:5	126-4363	2	Decal-Warning				

● Not serviced separately

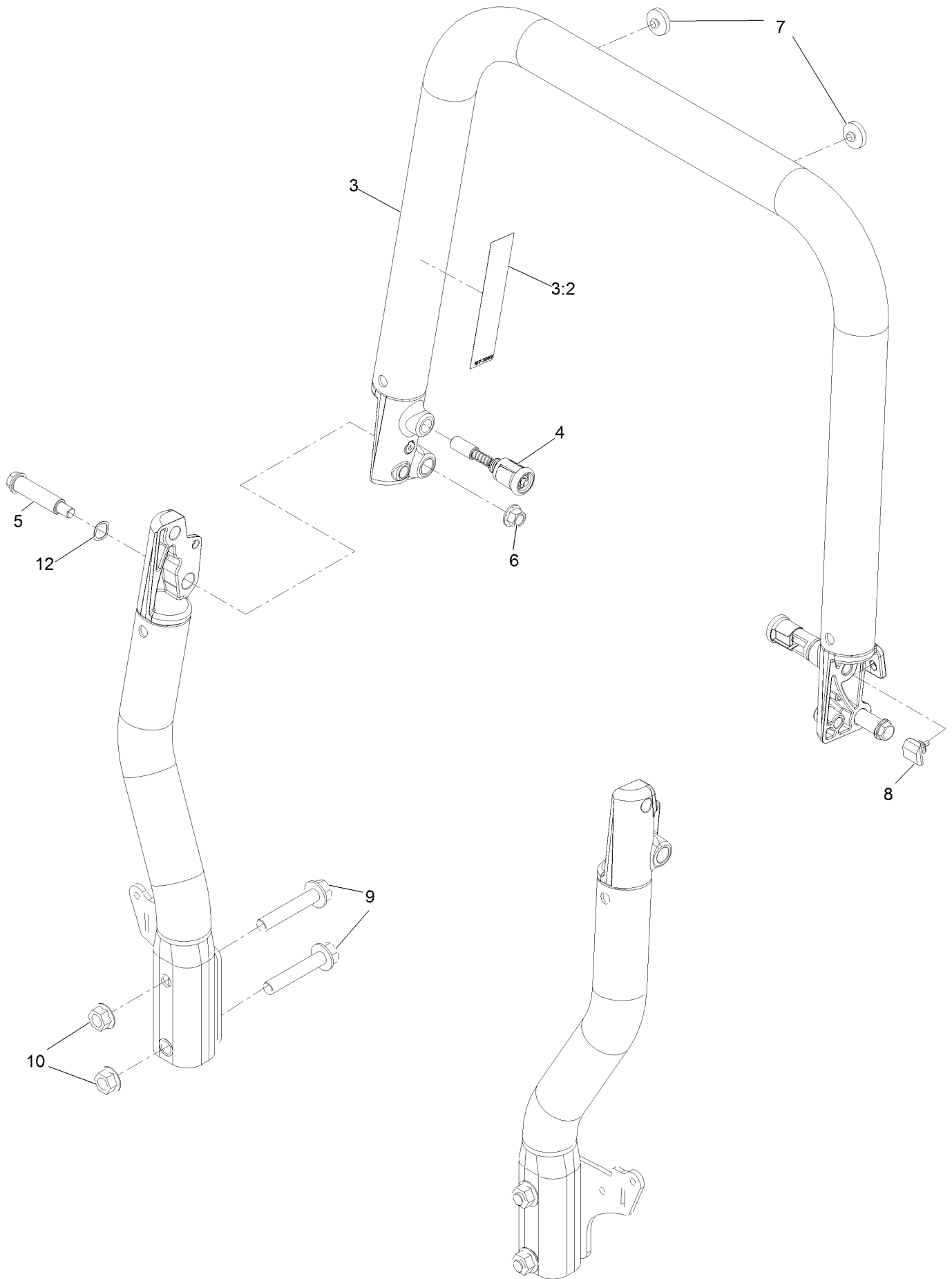
Caster Wheel Assembly



Caster Wheel Assembly (continued)

<i>Ref.</i>	<i>Part Number</i>	<i>Qty.</i>	<i>Description</i>	<i>Ref.</i>	<i>Part Number</i>	<i>Qty.</i>	<i>Description</i>
1	126-3289	1	ASM-Wheel And Tire 13X6.50-6	1:6	120-7125	1	Fitting-Zerk
1:2	126-5959	1	Tire	2	126-4312-01	1	Fork-Caster
1:3	130-0705	2	Bushing-Flange	3	126-5389	1	Screw-HHF
1:4	83-4740	2	Bearing	4	127-0068	1	Spanner-Wheel, Caster
1:5	5108	1	Valve	5	99-5107	1	Nut-Lock 1/2-13

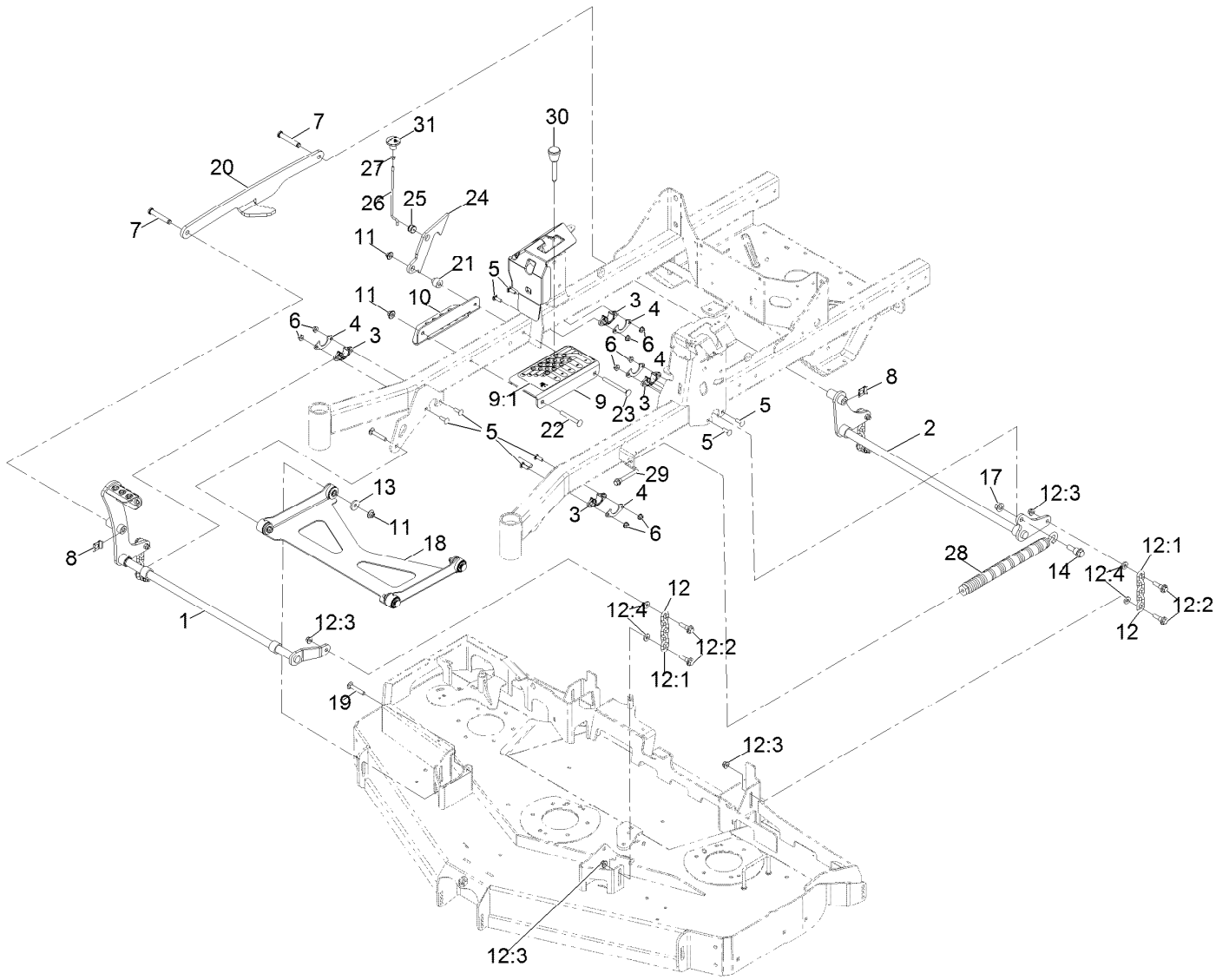
Roll-Over Protection System Assembly



Roll-Over Protection System Assembly (continued)

<i>Ref.</i>	<i>Part Number</i>	<i>Qty.</i>	<i>Description</i>	<i>Ref.</i>	<i>Part Number</i>	<i>Qty.</i>	<i>Description</i>
3	126-7838	1	Top Tube ASM	8	126-9966	2	Bumper-ROPS
3:2	107-3069	1	Decal-Warning	9	126-9488	4	Screw-HHF 5/8-18 X 3 1/2 Gr 8
4	116-0104	2	Pin-Spring	10	32128-50	4	Nut-Whizlock 5/8-11
5	126-9209	2	Bolt-Shoulder	12	119-4164	2	Washer-Wave
6	99-5107	2	Nut-Lock 1/2-13				
7	109-9233	2	Bumper-Push-In, Rubber				

Deck Lift Assembly



Deck Lift Assembly (continued)

<i>Ref.</i>	<i>Part Number</i>	<i>Qty.</i>	<i>Description</i>	<i>Ref.</i>	<i>Part Number</i>	<i>Qty.</i>	<i>Description</i>
1	126-3342-03	1	Shaft-Lift, Deck	13	1-373034	2	Washer
2	126-3343-03	1	Shaft-Lift, Deck (Rear)	14	116-0780	1	Screw-Shoulder HHF 1/2-13 X 1.12
3	115-5065	4	Bushing-Flange	17	99-5107	1	Nut-Lock 1/2-13
4	116-2887	4	Gusset-Lift, Deck	18	126-8365	1	Deck Strut ASM
5	3230-22	8	Bolt-Carriage 5/16-18 X 1 Sp	19	3231-7	2	Bolt-Carriage 3/8-16 X 2 1/4
6	104-8300	8	Nut-Nyloc 5/16-18 Flg	20	126-4639-03	1	Link-Lift
7	126-9181	2	Pin-Clevis	21	126-5221	1	Spacer-Stepped
8	95-4064	2	Clip-Pin	22	3231-42	1	Bolt-Carriage 3/8-16 X 3
9	126-4535	1	Bracket ASM	23	135-0313	1	Screw-CARR
9:1	126-4784	1	Decal-HOC	24	126-5222	1	Plate-Lock, Transport
10	126-4640-03	1	Angle-HOC, Lower	25	126-5593	1	Grommet
11	109-6658	4	Nut-Nyloc 3/8-16 Flg	26	126-5223	1	Rod-Lock, Transport
12	126-8877	4	Deck Chain ASM	27	3218-1	1	Nut-Jam 1/4-20
12:1	1-633447	1	Chain-Lift, Deck	28	116-0886	1	Extension Spring ASM
12:2	130-0742	2	Bolt-Shoulder	29	92-7674	1	Screw-Shcs 3/8-16 X 2.212
12:3	104-8301	2	Nut-Nyloc 3/8-16 Flg	30	126-5401	1	Pin-HOC
12:4	43-0940	2	Spacer	31	126-7019	1	Knob

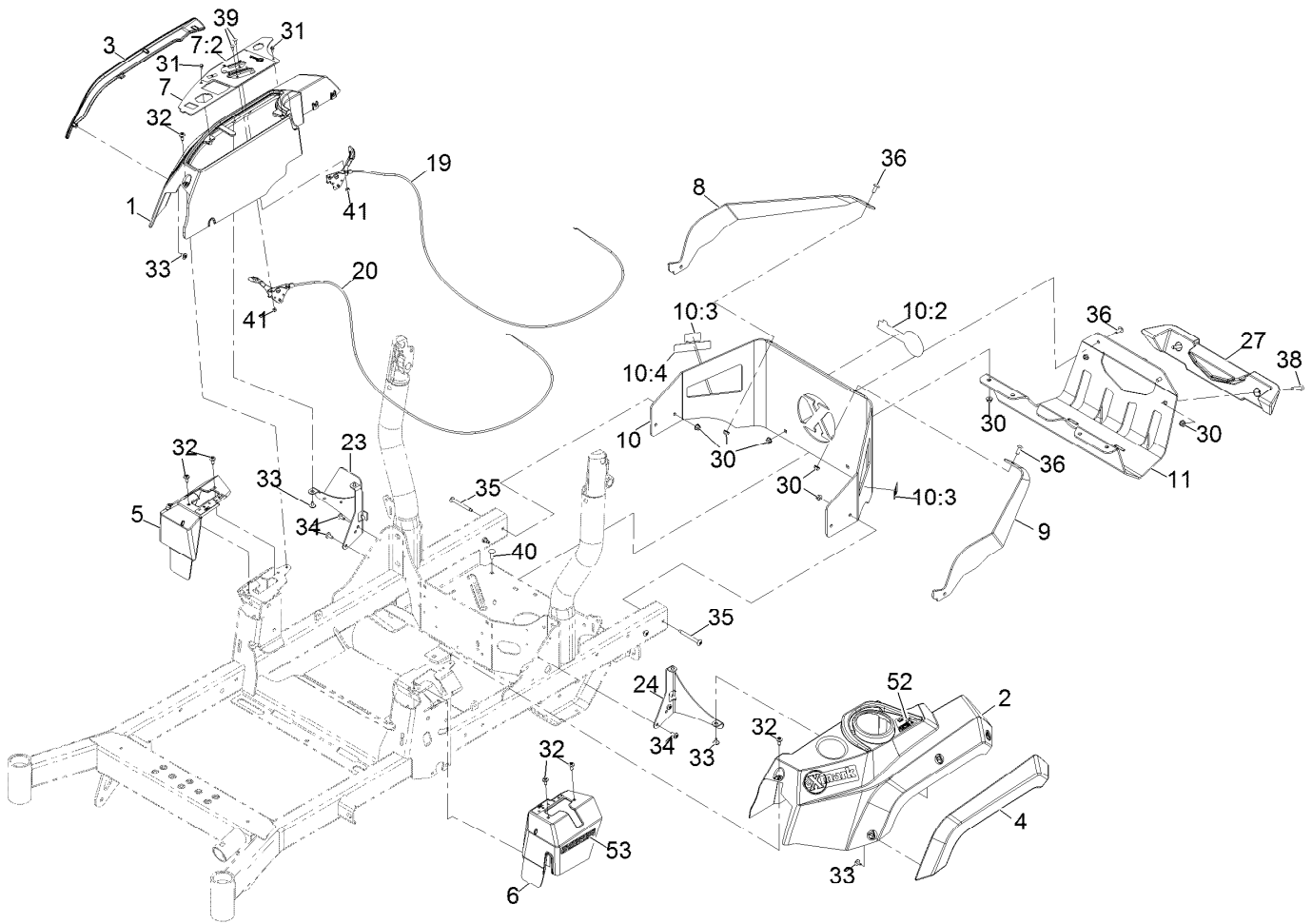
Deck Strut Assembly



Deck Strut Assembly (continued)

<i>Ref.</i>	<i>Part Number</i>	<i>Qty.</i>	<i>Description</i>	<i>Ref.</i>	<i>Part Number</i>	<i>Qty.</i>	<i>Description</i>
2	126-8360	4	Bushing-Rubber, Suspension	4	3231-7	2	Screw-CARR
3	108-6544	4	Spacer	5	2844	2	Washer
				6	104-8301	2	Nut-Flange, NI

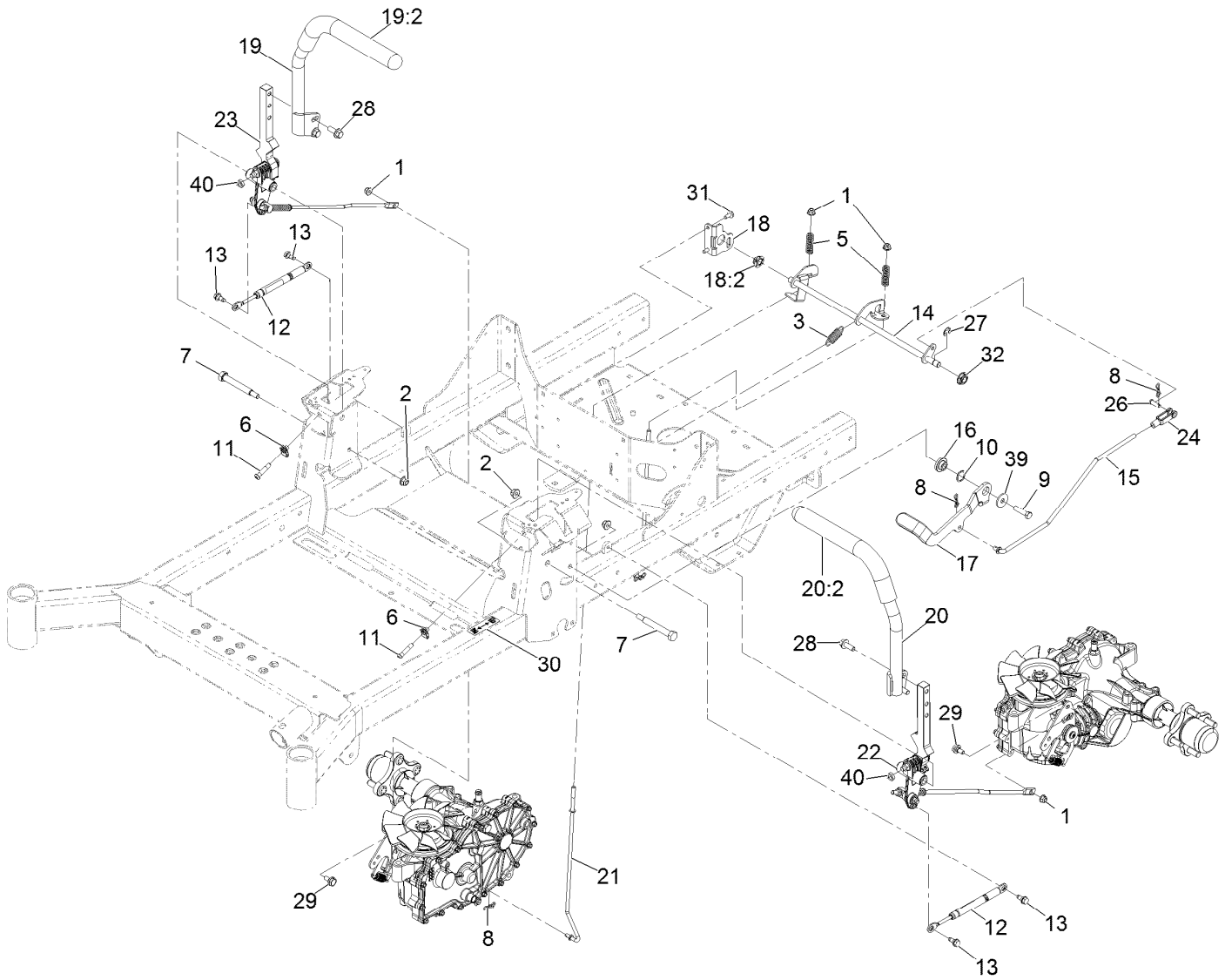
Controls Assembly



Controls Assembly (continued)

<i>Ref.</i>	<i>Part Number</i>	<i>Qty.</i>	<i>Description</i>	<i>Ref.</i>	<i>Part Number</i>	<i>Qty.</i>	<i>Description</i>
1	126-4959	1	Console-Exmark, RH	30	104-8300	12	Nut-Nyloc 5/16-18 Flg
2	126-4960	1	Console, LH	31	117-5036	2	Screw-HWH #10-14 X 1/2
3	126-4741	1	Fender-RH	32	120-7950	6	Screw-1/4-20 X 1/2 Tf Torx Plus
4	126-4742	1	Fender-LH	33	126-5544	10	Screw-HWH #10-14 X 1/2 Torx
5	126-7371	1	Cover-Motion Control, RH	34	126-6266	4	Screw-1/4-20 X .65 Torx Plus
6	126-7372	1	Cover-Motion Control, LH	35	126-6267	4	Screw-Truss HD 5/16-18 X 2 3/4 Torx Plus
7	126-7791	1	ASM-Ctrl Panel W/Dcl	36	126-6268	4	Screw-Truss HD 5/16-18 X 3/4 Torx Plus
7:2	126-6570	1	Decal-Control Panel	38	126-7439	2	Screw-Truss HD 5-16-18 X 1 1/2 Torx Plus
8	126-6015-03	1	Support-Upper, RH	39	1-807513	4	Bolt-Carriage #10-24 X 1/2
9	126-6016-03	1	Support-Upper, LH	40	3230-22	2	Bolt-Carriage 5/16-18 X 1 Sp
10	126-7802	1	Rear Guard ASM	41	3296-2	4	Nut-Nyloc #10-24
10:2	126-6965	1	Decal-Exmark Logo	52	126-9939	1	Decal-Fill, Fuel
10:3	106-5517	2	Decal-Warning	53	126-9296	2	Decal-S-Series
10:4	117-2718	1	Decal-Arrester, Spark				
11	126-7664-03	1	Guard-Muffler				
19	126-6943	1	Cable-Control, Choke				
20	126-6942	1	Cable-Control, Throttle				
23	126-9945	1	Support-Console, RH				
24	126-5532-03	1	Bracket-Console, LH				
27	126-7418-03	1	Weight				

Motion Control Assembly

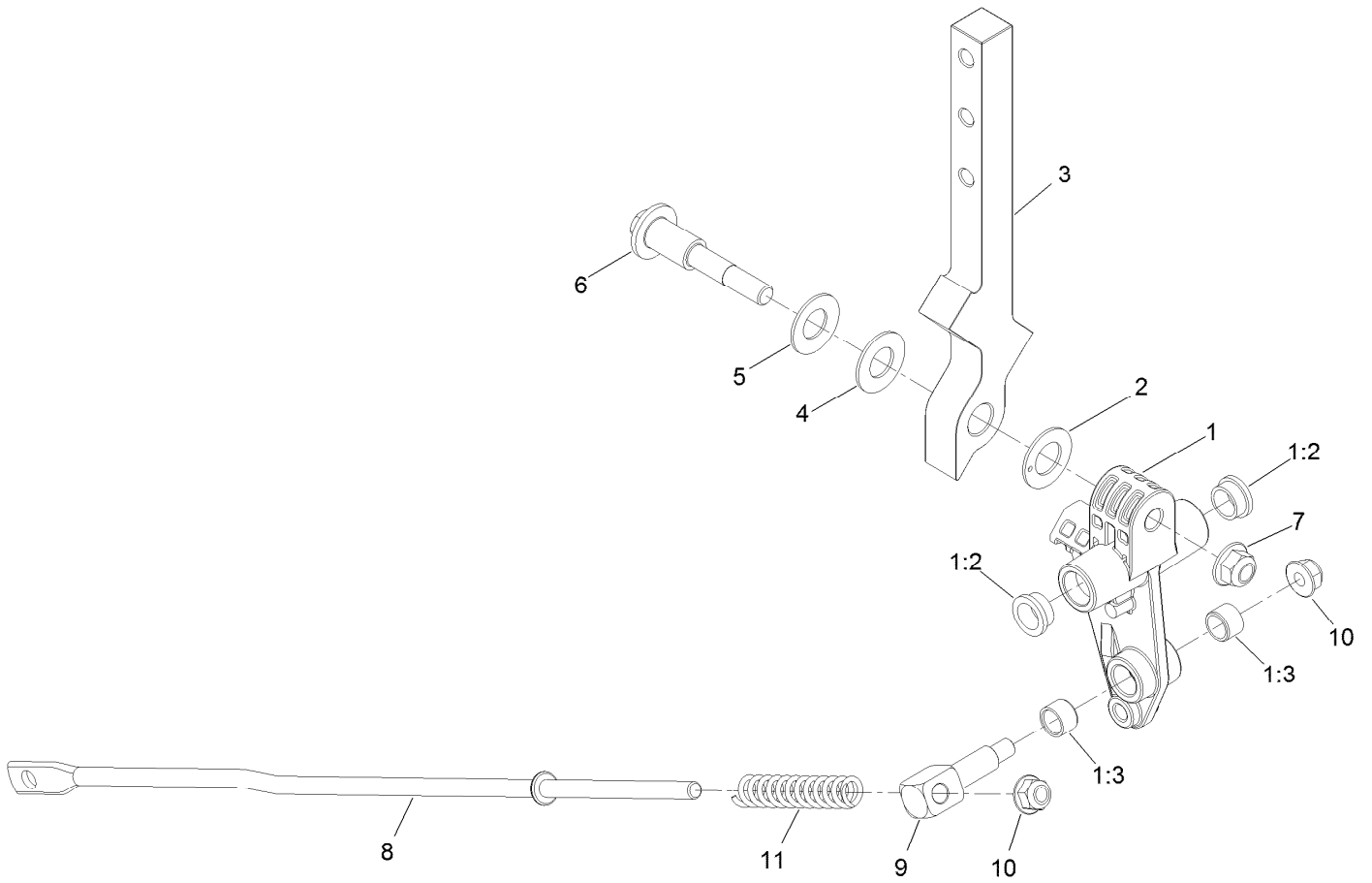


Motion Control Assembly (continued)

<i>Ref.</i>	<i>Part Number</i>	<i>Qty.</i>	<i>Description</i>	<i>Ref.</i>	<i>Part Number</i>	<i>Qty.</i>	<i>Description</i>
1	104-8300	4	Nut-Nyloc 5/16-18 Flg	19:2	126-7359	1	Grip
2	104-8301	3	Nut-Nyloc 3/8-16 Flg	20	126-9192	1	LH Control Handle ASM
3	107-1045	2	Spring-Extension	20:2	126-7359	1	Grip
5	109-7694	2	Spring-Compression	21	126-7217	2	Linkage-Brake, Lower
6	112-3306	2	Nut	22		1	LH Motion Control ASM ●
7	115-5099	2	Bolt-Pivot	23		1	RH Motion Control ASM ●
8	119-1415	4	Pin-Cotter, Locking	24	1-303105	1	Yoke-Adjustable
9	323-8	1	Screw-HH 3/8-16 X 1 1/2	26	1-808280	1	Pin-Clevis 5/16 X 1 49/64
10	119-4164	1	Washer-Wave	27	32120-47	1	Ring-Retaining
11	126-4299	2	Screw-HSBH	28	3234-42	4	Screw HHF 3/8-16 X 1
12	126-4322	2	Damper	29	37-8771	2	Screw-Shoulder 5/16-18 X 5/8
13	126-4424	4	Screw-Shoulder				
14	126-5813	1	Shaft-Brake	30	115-9625	1	Decal-Brake, Parking
15	126-5819	1	Linkage-Brake, Upper	31	126-6266	2	Screw-1/4-20 X .65 Torx Plus
16	126-5989	1	Pivot-Flange				
17	126-9490	1	Lever-Brake (With Grip)	32	126-5820	1	Bearing-Spherical
18	126-6456	1	Bracket-Brake	39	2844	1	Washer
18:2	126-5820	1	Bearing-Spherical	40	3218-3	2	Nut-Jam 3/8-16
19	126-9191	1	RH Control Handle ASM				

● Not serviced separately

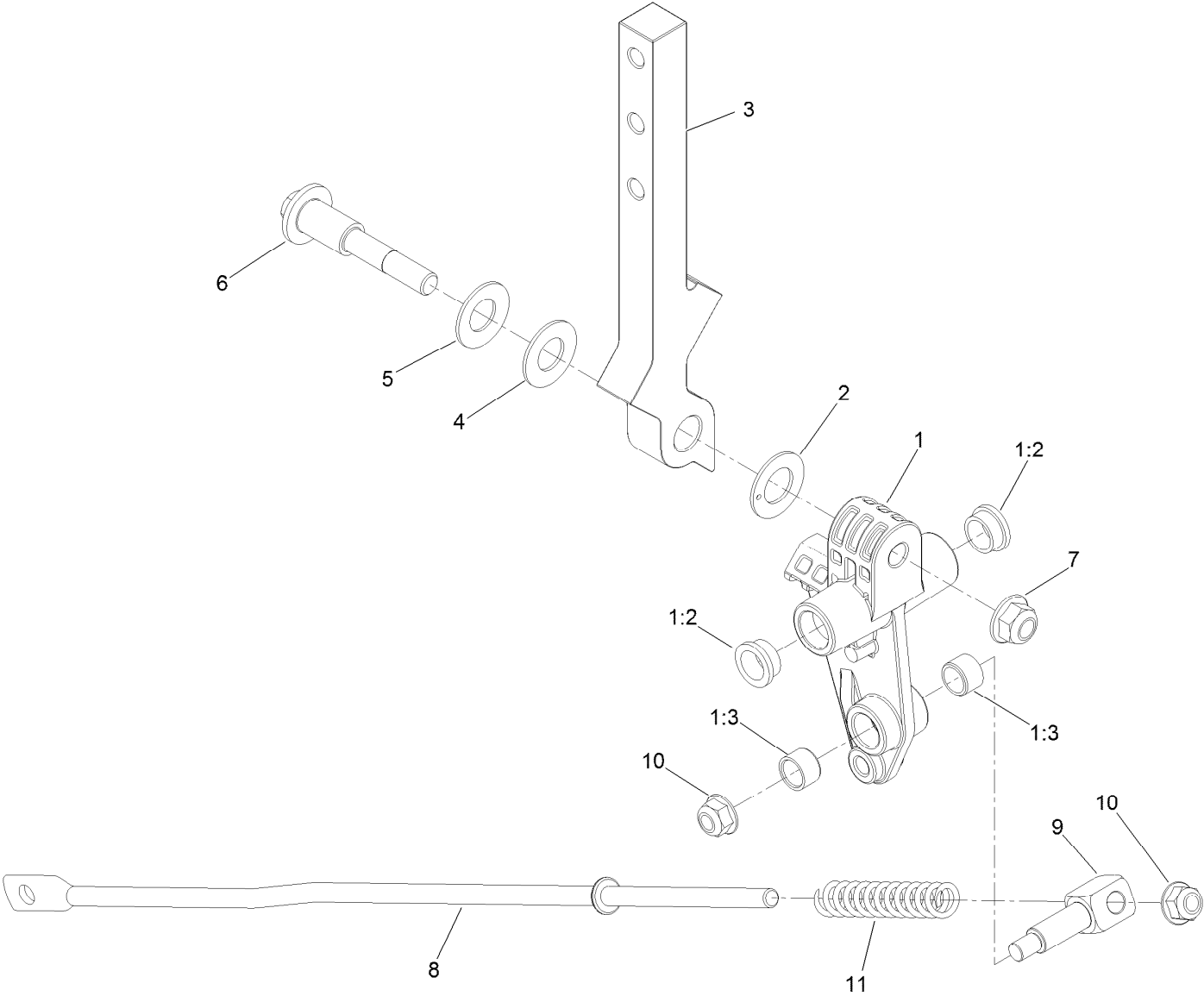
LH Motion Control Assembly



LH Motion Control Assembly (continued)

<i>Ref.</i>	<i>Part Number</i>	<i>Qty.</i>	<i>Description</i>	<i>Ref.</i>	<i>Part Number</i>	<i>Qty.</i>	<i>Description</i>
1	126-3773	1	Control Arm ASM	6	117-1198	1	Bolt-Pivot
1:2	126-8909	2	Bushing	7	104-8301	1	Nut-Nyloc 3/8-16 Flg
1:3	1-413152	2	Bushing-Sleeve	8	126-5435	1	Link-Control
2	126-7296	1	Washer-Friction	9	126-5434	1	Swivel
3	126-8182	1	Arm-Control	10	104-8300	2	Nut-Nyloc 5/16-18 Flg
4	117-1240	1	Washer	11	126-8195	1	Spring-Return, Neutral
5	119-8925	1	Washer-Belleville				

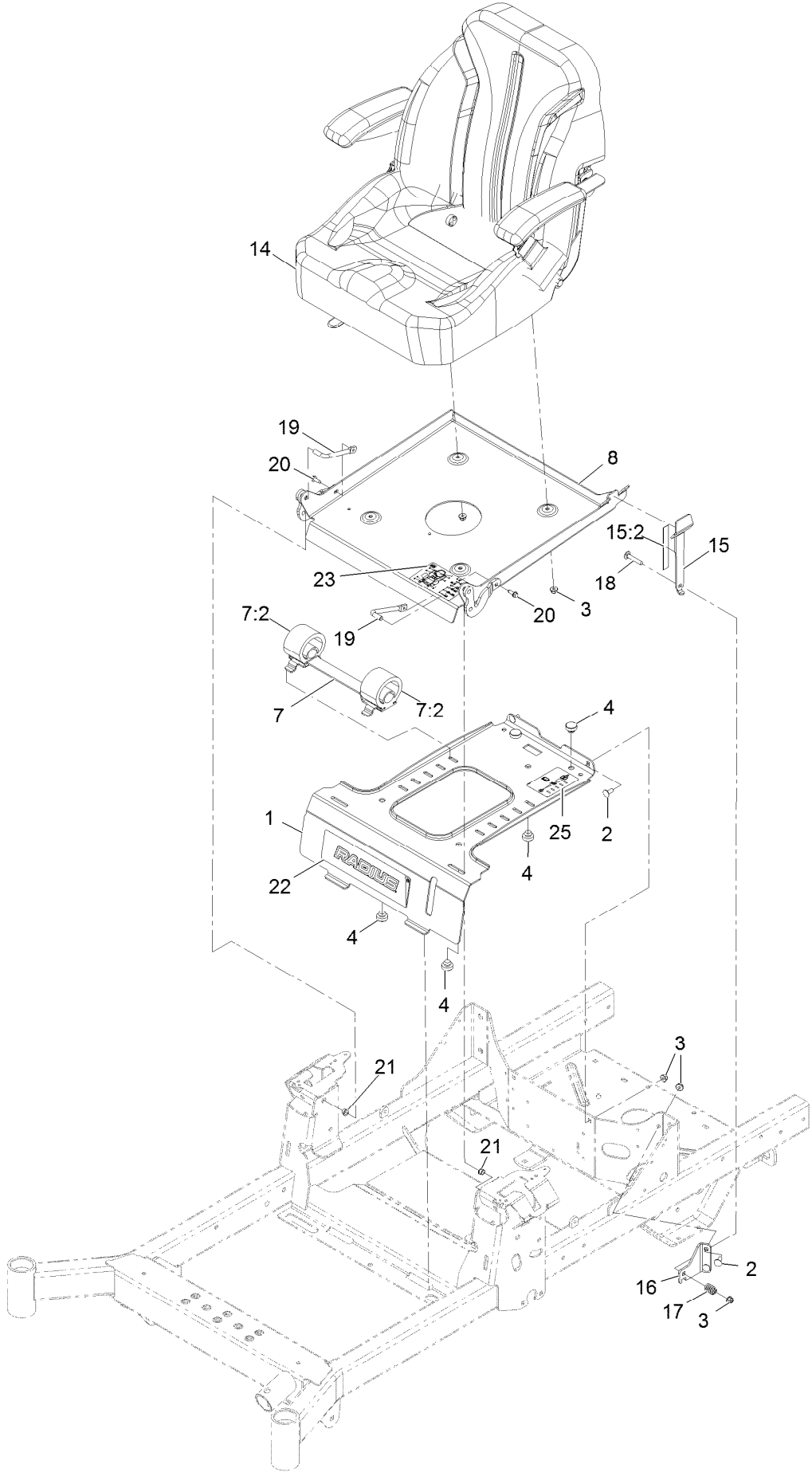
RH Motion Control Assembly



RH Motion Control Assembly (continued)

<i>Ref.</i>	<i>Part Number</i>	<i>Qty.</i>	<i>Description</i>	<i>Ref.</i>	<i>Part Number</i>	<i>Qty.</i>	<i>Description</i>
1	126-3773	1	Control Arm ASM	6	117-1198	1	Bolt-Pivot
1:2	126-8909	2	Bushing	7	104-8301	1	Nut-Nyloc 3/8-16 Flg
1:3	1-413152	2	Bushing-Sleeve	8	126-5435	1	Link-Control
2	126-7296	1	Washer-Friction	9	126-5434	1	Swivel
3	126-8182	1	Arm-Control	10	104-8300	2	Nut-Nyloc 5/16-18 Flg
4	117-1240	1	Washer	11	126-8195	1	Spring-Return, Neutral
5	119-8925	1	Washer-Belleville				

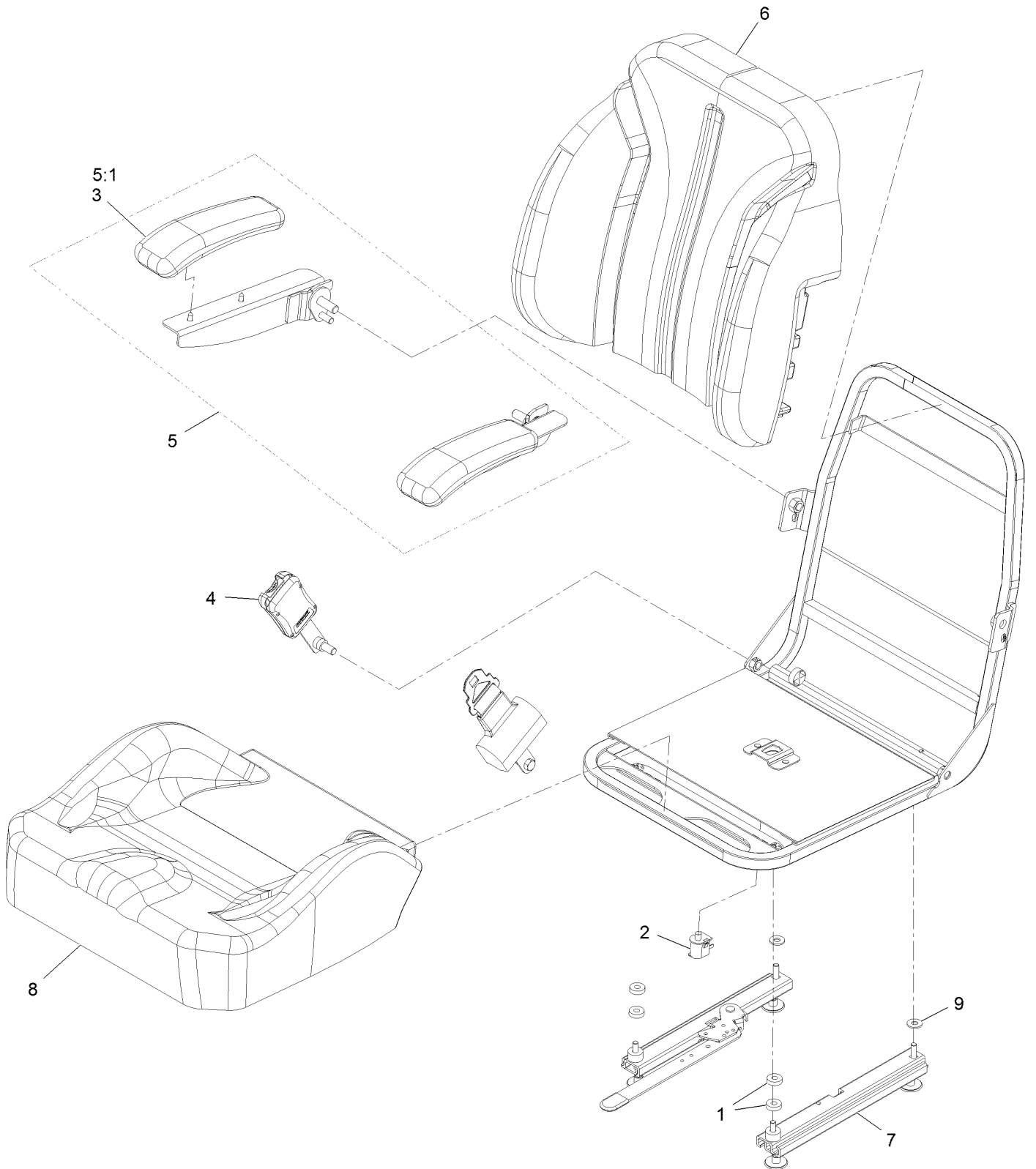
Seat Assembly



Seat Assembly (continued)

<i>Ref.</i>	<i>Part Number</i>	<i>Qty.</i>	<i>Description</i>	<i>Ref.</i>	<i>Part Number</i>	<i>Qty.</i>	<i>Description</i>
1	126-4082-03	1	Plate-Retainer, Tank	16	126-5757	1	Bracket-Latch
2	3230-23	4	Bolt-Carriage 5/16-18 X 3/4 Short Neck	17	107-3017	1	Spring-Compression
3	104-8300	9	Nut-Nyloc 5/16-18 Flg	18	116-0629	1	Screw-Carriage 5/16-18 X 1 3/4 Short
4	104-1412	5	Bumper-Rubber	19	126-5914	2	Pin-Pivot, Seat
7	126-4796	1	Seat Isolator ASM	20	32144-44	2	Screw-HWH, Thread Roll
7:2	126-5741	2	Isolator-Seat	21	1-603735	2	Bushing-Flanged
8	126-5909-03	1	Mount-Seat [black]	22	126-9082	1	Decal-Radius Logo
14	126-8291	1	ASM-Seat	23	126-8151	1	Decal-Aid, Service
15	126-6097	1	Latch Seat ASM	25	126-8194	1	Decal-Seat Suspension
15:2	116-3120	1	Strip-Poly Wear				

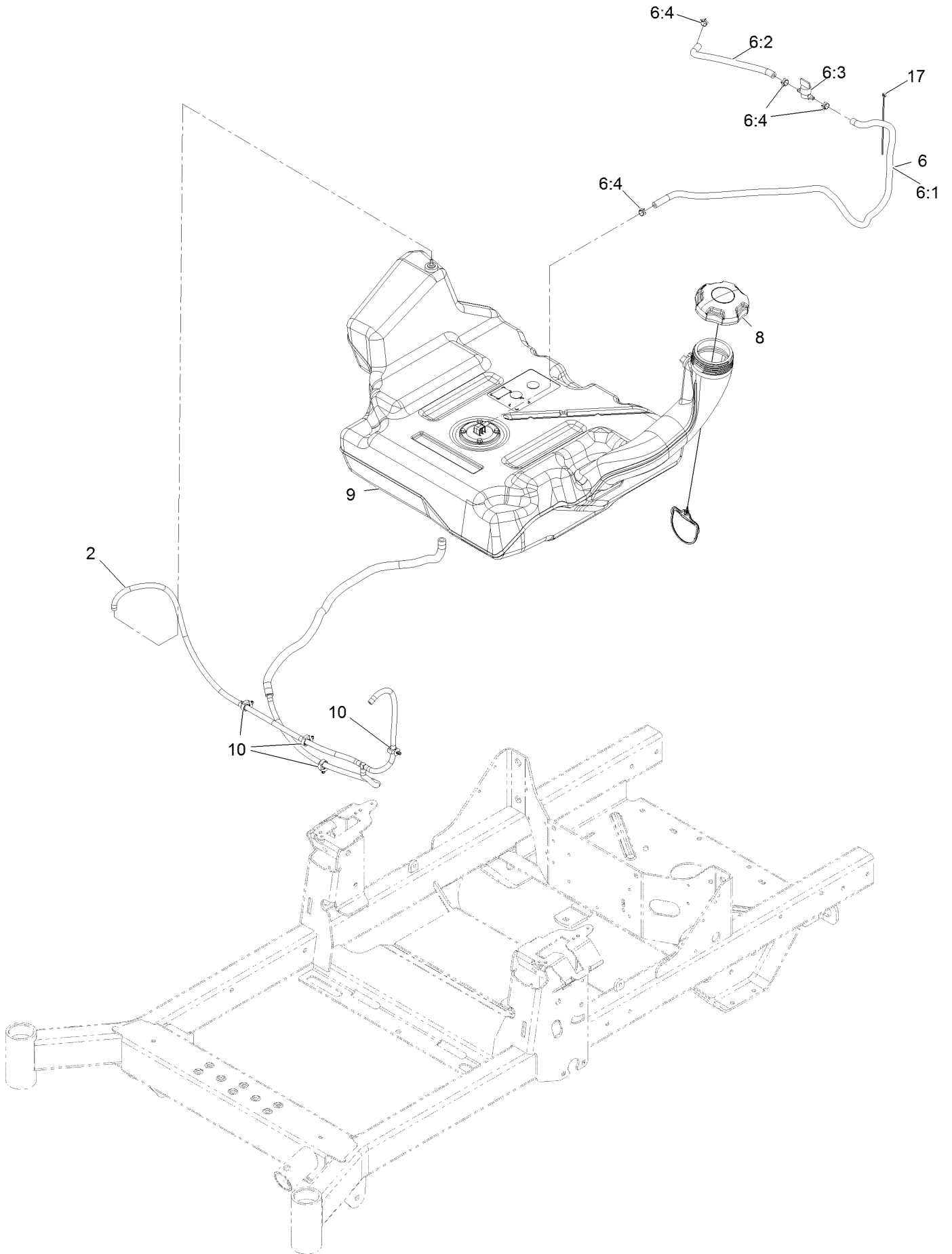
Seat W/Tracks Assembly



Seat W/Tracks Assembly (continued)

<i>Ref.</i>	<i>Part Number</i>	<i>Qty.</i>	<i>Description</i>	<i>Ref.</i>	<i>Part Number</i>	<i>Qty.</i>	<i>Description</i>
1	26-4840	4	Spacer-Pin, Mounting	5:1	110-4163	2	Cushion-Rest, Arm
2	82-2190	1	Switch	6	126-8552	1	Cover-Seat Back Svc
3	110-4163	2	Cushion-Rest, Arm	7	126-2177	1	ASM-Seat Track, Svc
4	126-9091	1	Kit-Seat Belt	8	126-7389	1	Cover-Seat Bottom Svc
5	126-2058	1	Armrest Kit	9	3256-3	2	Washer-5/16 Std

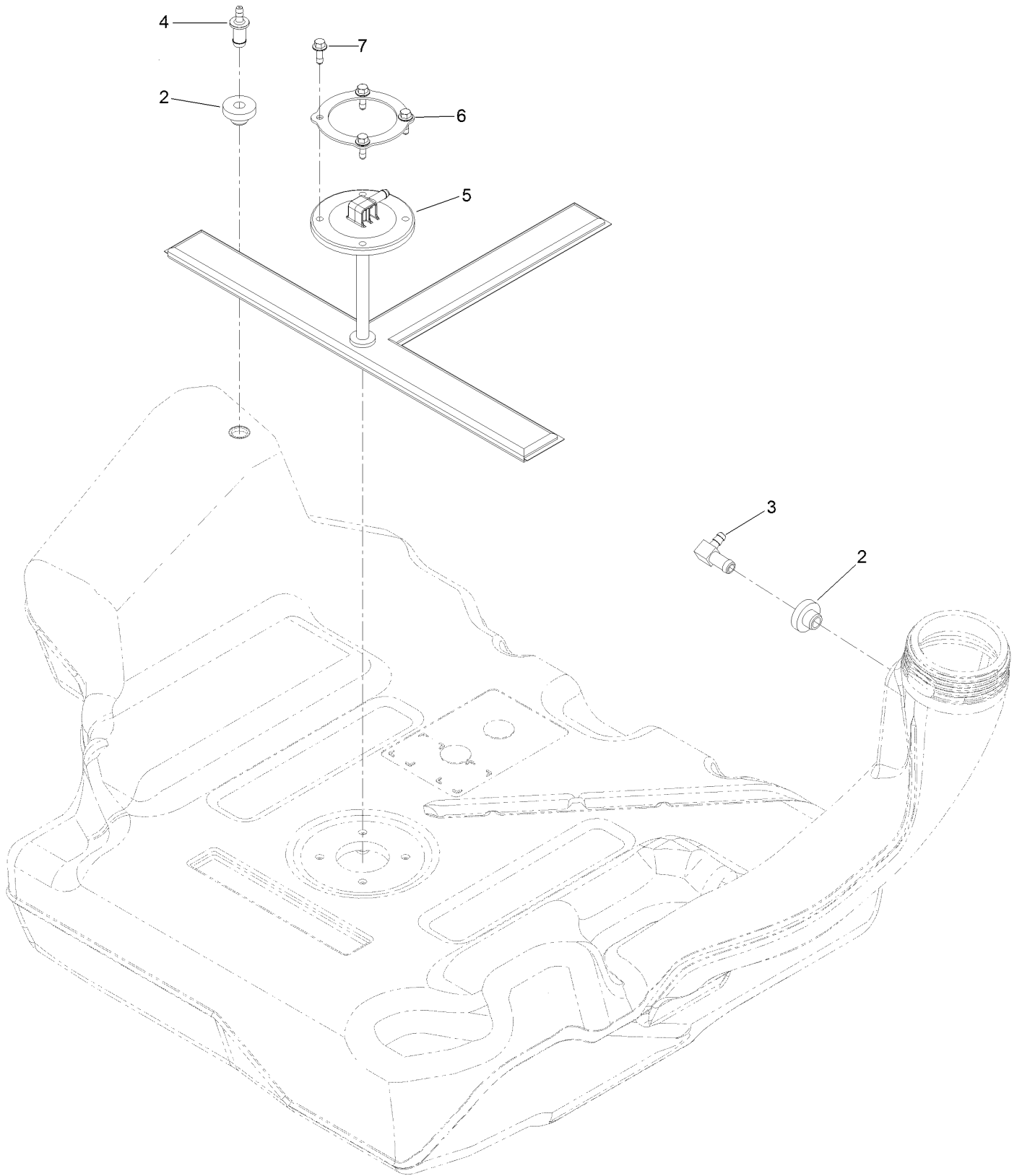
Fuel Assembly



Fuel Assembly (continued)

<i>Ref.</i>	<i>Part Number</i>	<i>Qty.</i>	<i>Description</i>	<i>Ref.</i>	<i>Part Number</i>	<i>Qty.</i>	<i>Description</i>
2	126-8735	1	Hose-Vent	6:4	2412-98	4	Clamp-Hose
6	126-8739	1	Fuel Hose ASM	8	126-4723	1	Cap-Fuel
6:1	110-5702	1	Hose-Fuel	9	126-4724	1	Tank-Fuel
6:2	109-0282	1	Hose-Fuel	10	126-5523	4	Clip
6:3	1-603770	1	Valve-Fuel	17	1-303287	1	Tie-Cable 5 1/2 (Small)

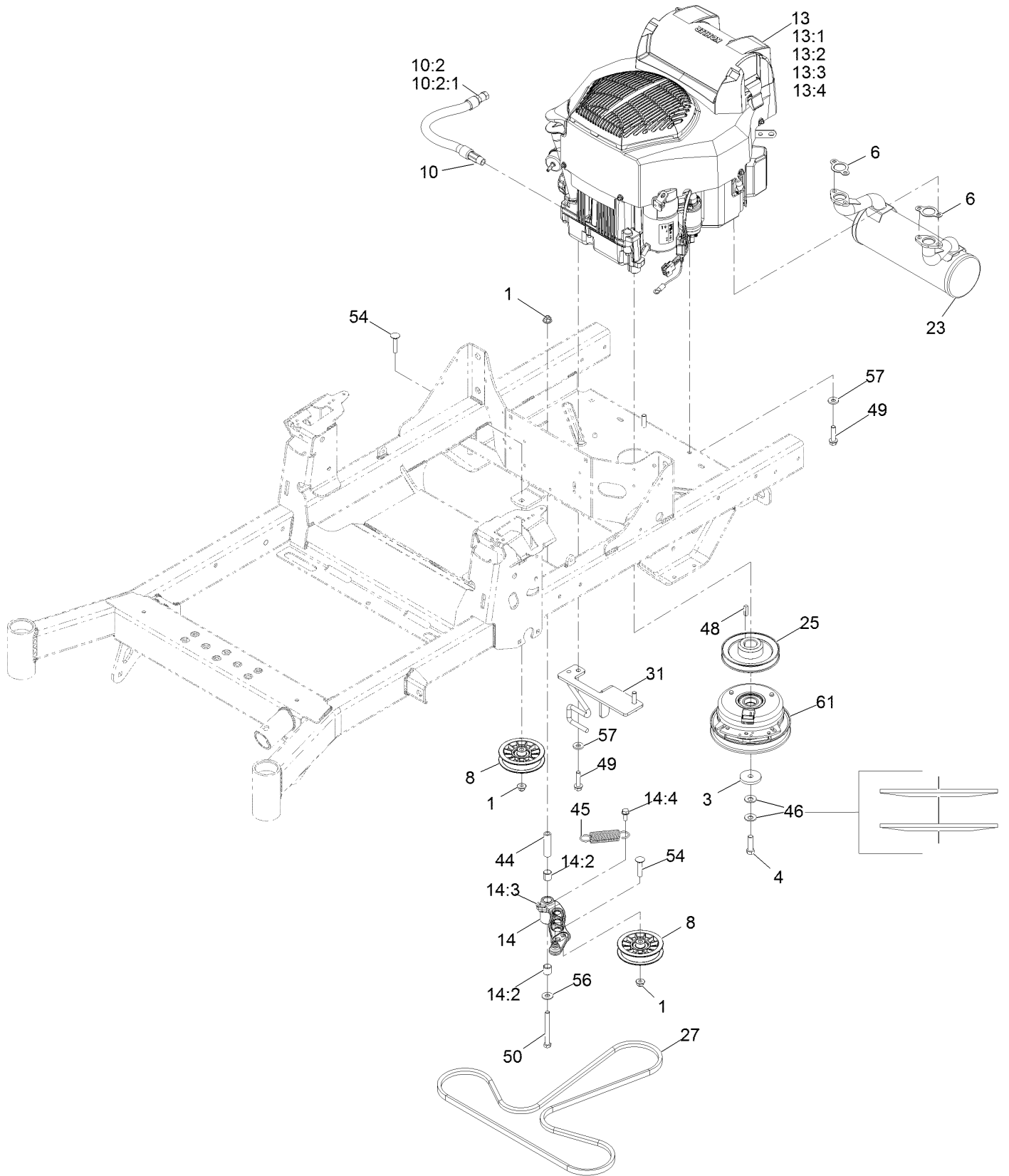
Fuel Tank Assembly (cont.)



Fuel Tank Assembly (cont.) (continued)

<i>Ref.</i>	<i>Part Number</i>	<i>Qty.</i>	<i>Description</i>	<i>Ref.</i>	<i>Part Number</i>	<i>Qty.</i>	<i>Description</i>
2	46-6560	2	Bushing	5	126-5528	1	Pickup-Fuel
3	126-9057	1	Fitting-90 DEG	6	126-5527	1	Ring-Retainer
4	116-4630	1	Fitting-Orifice, Straight	7	126-5525	4	Bolt

Engine Assembly



Engine Assembly (continued)

<i>Ref.</i>	<i>Part Number</i>	<i>Qty.</i>	<i>Description</i>	<i>Ref.</i>	<i>Part Number</i>	<i>Qty.</i>	<i>Description</i>
1	104-8301	3	Nut-Flange, NI	14:2	1-513034	2	Sleeve-Bearing
3	109-6919	1	Washer-Clutch	14:3	302-40	1	Fitting-Grease, 90 DEG
4	109-9761	1	Screw-HH □	14:4	32144-11	1	Screw-HWHTF
6	1-653291	2	Gasket-Exhaust	23	126-4359	1	Muffler-Kohler Aes
8	116-2456	2	Pulley-Flat	25	126-5358	1	Sheave (W/Hub)
10	116-5108	1	Oil Drain Hose ASM ■	27	126-5993	1	Belt-V
10:2	353-508	1	Plug-HH ●	31	126-6688-03	1	Anchor-Clutch
10:2:1	237-42	1	O-Ring	44	1-603384	1	Bushing-Pivot, Idler
13		1	Engine -Kohler, Zt740 ▲	45	1-603402	1	Spring-Extension
13:1		1	Kohler 16 083 01-S Engine Air Filter ▲◆	46	1-603610	2	Washer-Spring
13:2		1	Kohler 52 050 02-S Engine Oil Filter ▲◆	48	1-807259	1	Key
13:3		1	Kohler 24 050 13-S Fuel Filter ▲◆	49	32144-102	4	Screw-HWH
13:4		1	Kohler 25 083 04-S Safety Filter ▲◆	50	323-15	1	Screw-HH
14	126-0973	1	Idler Arm ASM	54	3231-29	2	Screw-CARR
				56	3256-4	1	Washer-Flat
				57	98-5975	4	Washer-Belleville
				61	126-8926	1	Clutch

● Torque to 24-26 ft-lb

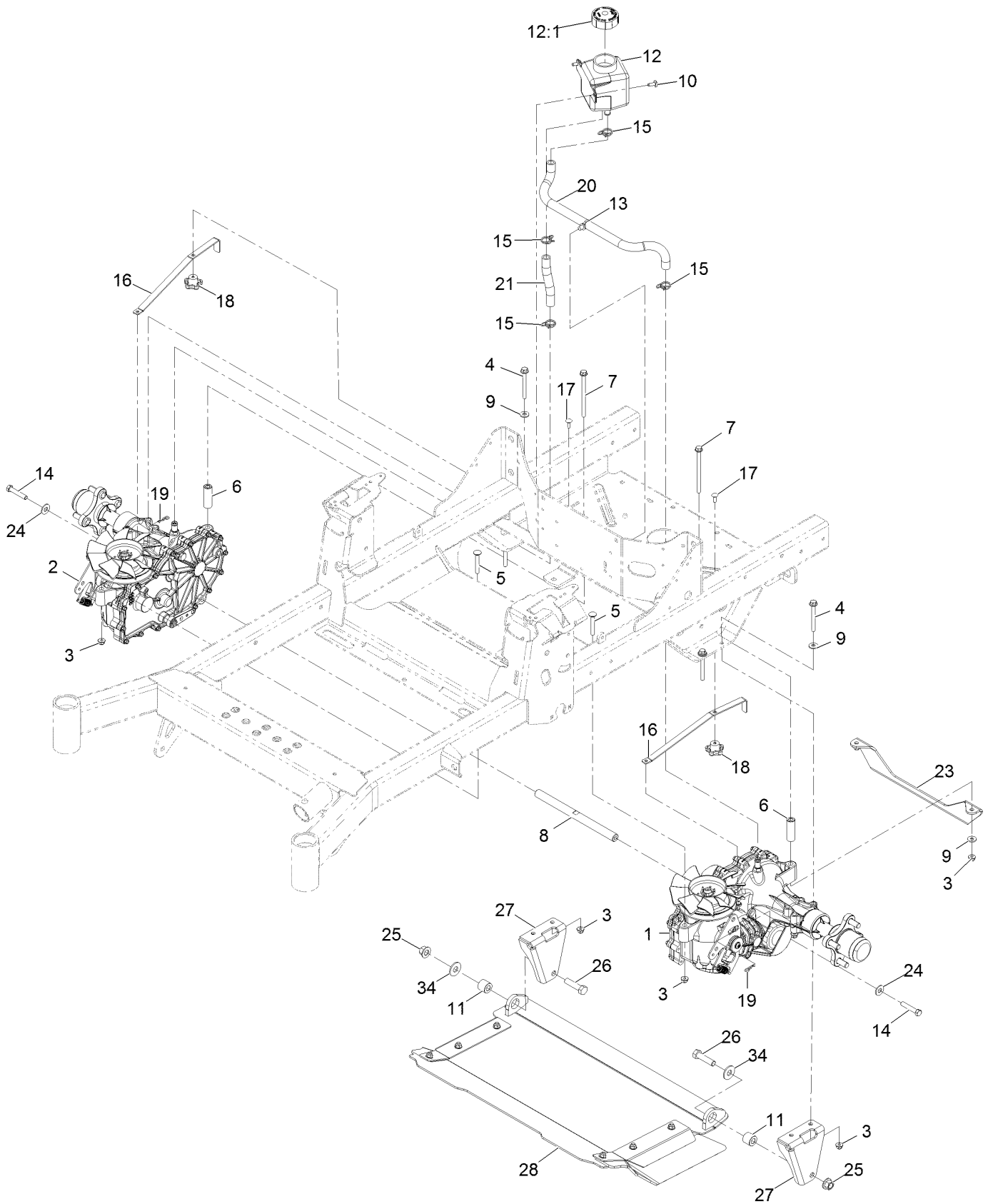
▲ Not serviced separately

□ Use Pro-Lock, Nut Type (P/N 1-840022, .5ml tube) on threads.

■ Torque to 17-23 ft-lb

◆ Obtain parts from www.kohlerplus.com

Hydraulic Assembly

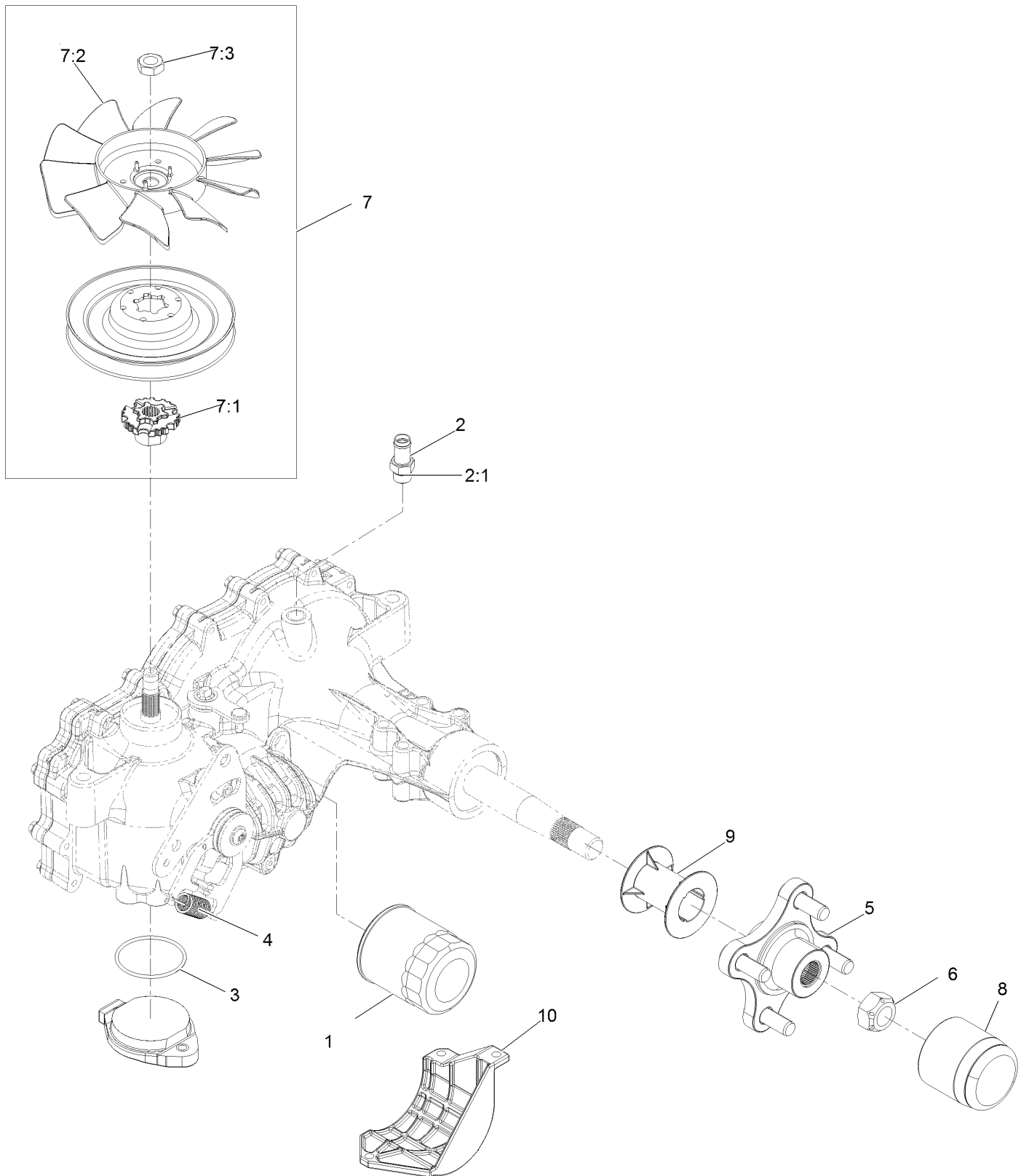


Hydraulic Assembly (continued)

<i>Ref.</i>	<i>Part Number</i>	<i>Qty.</i>	<i>Description</i>	<i>Ref.</i>	<i>Part Number</i>	<i>Qty.</i>	<i>Description</i>
1	126-2883	1	LH Transaxle ASM	14	94-7972	2	Screw-HH W/Loctite ●
2	126-2884	1	RH Transaxle ASM	15	126-0327	4	Clamp-Hose
3	104-8300	8	Nut-Nyloc 5/16-18 Flg	16	109-5395	2	Arm-Bypass, Hydro
4	126-4687	4	Screw-HHF	17	3229-1	2	Bolt-Carriage 1/4-20 X 3/4
5	3230-7	2	Bolt-Carriage 5/16-18 X 2 1/4	18	108-6402	2	Knob-Handle
6	116-5809	2	Spacer-Hydro	19	1-806003	2	Hairpin-Cotter
7	126-5896	2	Screw HHF	20	126-5668	1	Hose-Hydraulic
8	116-6833	1	Shaft-Spacer	21	126-5669	1	Hose-Hydraulic
9	1-303334	6	Washer-Spring Disc 5/16	23	126-5672-03	1	Support-Transmission
10	126-6266	2	Screw-1/4-20 X .65 Torx Plus	24	3256-4	2	Washer-3/8 Std
11	126-1705	2	Bushing-Sleeve	25	99-5107	2	Nut-Lock 1/2-13
12	109-2250	1	Vent-Tank, HYD	26	325-8	2	Screw-HH 1/2-13 X 1 1/4
12:1	109-3320	1	Cap-Reservoir, HYD	27	126-1988-03	2	Bracket-Mount, Discharge
13	32180-118	1	Clip-Tie	28	126-1985	1	Asm-Discharge Tunnel
				34	3256-6	2	Washer

● Use Pro-Lock, Nut Type (P/N 1-840022, .5ml tube) on threads.

LH Transaxle Assembly

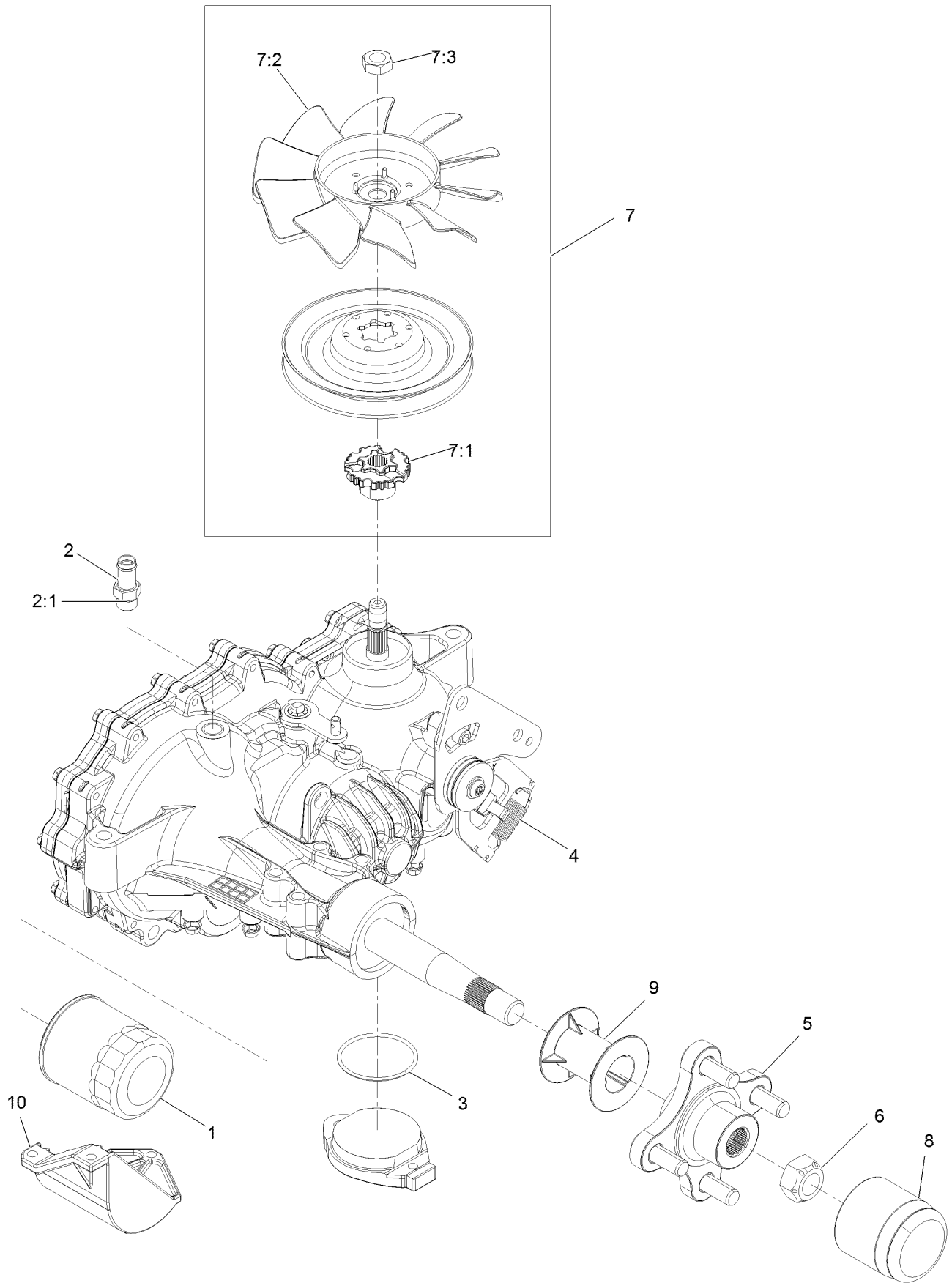


LH Transaxle Assembly (continued)

<i>Ref.</i>	<i>Part Number</i>	<i>Qty.</i>	<i>Description</i>	<i>Ref.</i>	<i>Part Number</i>	<i>Qty.</i>	<i>Description</i>
1	109-3321	1	Filter-Hydraulic	7:1	126-8905	1	Hub-Fan
2	109-3278	1	Adapter-Straight	7:2	126-0226	1	Fan
2:1	237-42	1	O-Ring	7:3	116-9714	1	Nut-HJ
3	109-3540	1	O-Ring-Charge Seal Cover	8	116-6214	1	Cap-Axle, Long
4	109-5592	1	Spring	9	116-6213	1	Tube-Axle
5	116-3872	1	Hub-Offset	10	120-7979	1	Guard-Filter, LH
6	109-3536	1	Nut-Hub	11	121-3243	1	Seal Kit ●
7	126-8904	1	Fan And Pulley Kit				

● Not illustrated

RH Transaxle Assembly

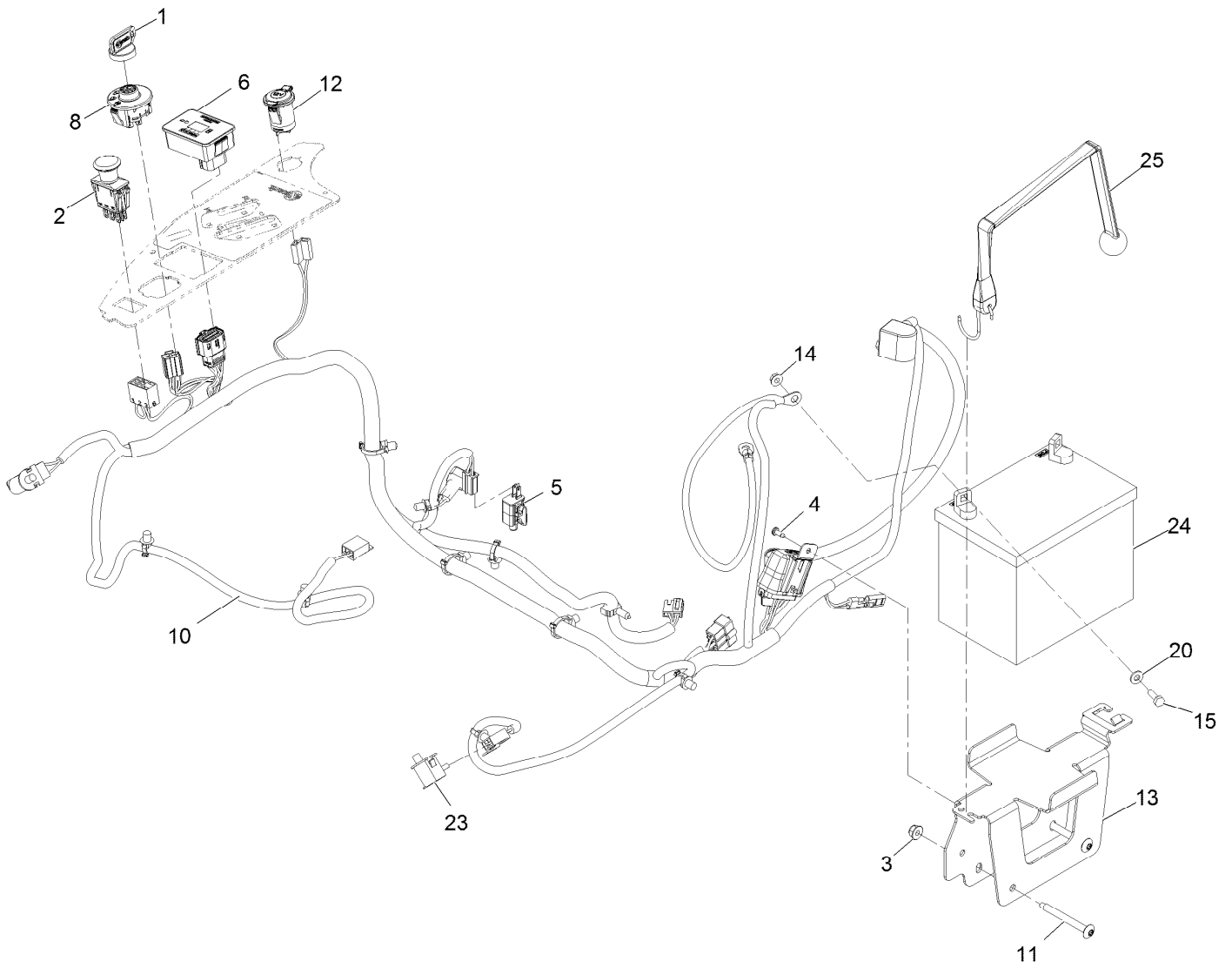


RH Transaxle Assembly (continued)

<i>Ref.</i>	<i>Part Number</i>	<i>Qty.</i>	<i>Description</i>	<i>Ref.</i>	<i>Part Number</i>	<i>Qty.</i>	<i>Description</i>
1	109-3321	1	Element-Oil Filter, HYD	7:1	126-8905	1	Hub-Fan
2	109-3278	1	Adapter-Straight	7:2	126-0226	1	Fan
2:1	237-42	1	O-Ring	7:3	116-9714	1	Nut-HJ
3	109-3540	1	O Ring-Seal	8	116-6214	1	Cap-Axle, Long
4	109-5592	1	Spring-Extension	9	116-6213	1	Tube-Axle
5	116-3872	1	Hub-Offset	10	120-7981	1	Guard-Filter, RH
6	109-3536	1	Nut-Hub	11	121-3243	1	Seal Kit ●
7	126-8904	1	Fan And Pulley Kit				

● Not illustrated

Electrical Assembly



Electrical Assembly (continued)

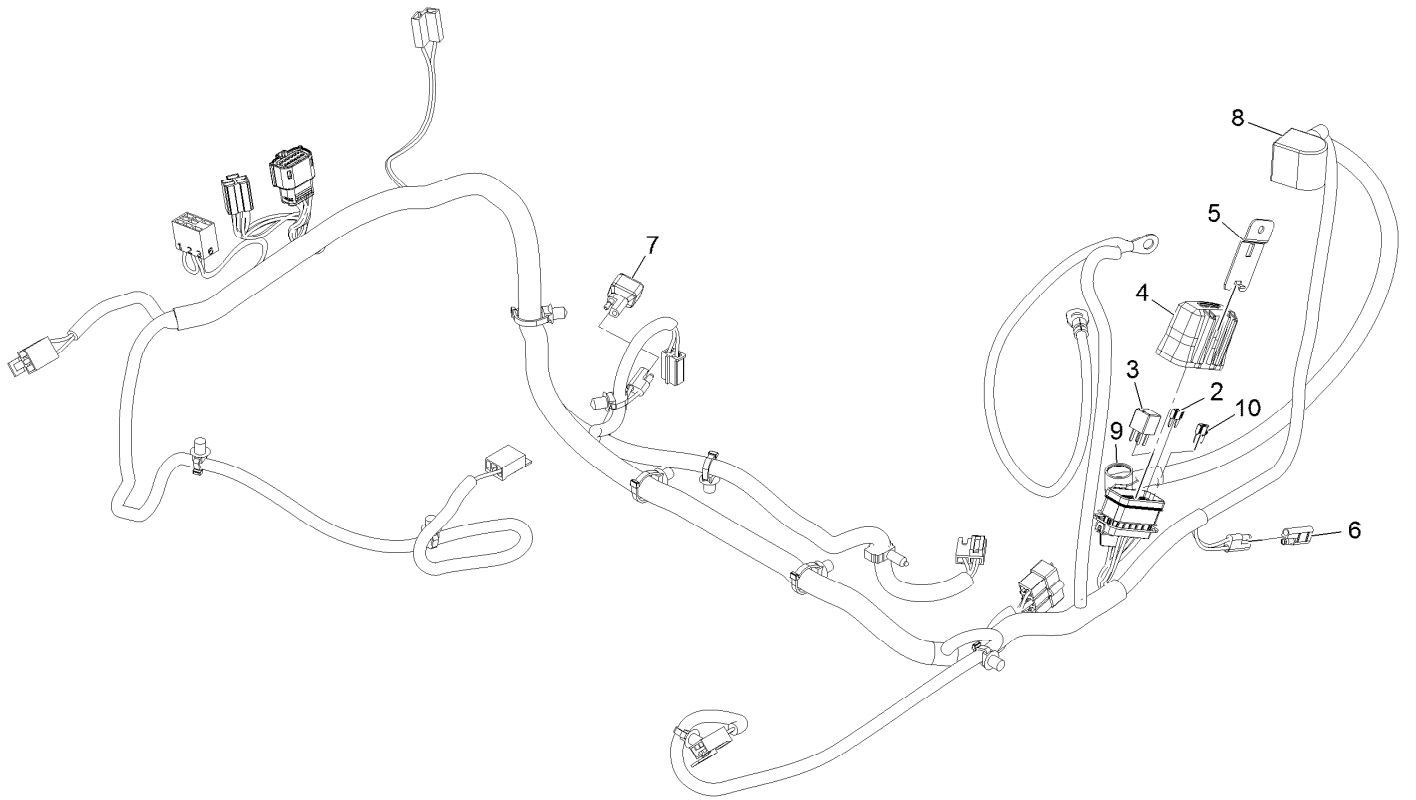
<i>Ref.</i>	<i>Part Number</i>	<i>Qty.</i>	<i>Description</i>	<i>Ref.</i>	<i>Part Number</i>	<i>Qty.</i>	<i>Description</i>
1	1-603511	1	Key-Ignition	12	126-6499	1	Port-Power, 12V
1	103-2106	1	Key-Exmark Logo	13	126-6725-03	1	Tray-Battery
2	103-5221	1	Switch-PTO	14	32128-33	2	Nut-Whizlock 1/4-20
3	104-8300	2	Nut-Nyloc 5/16-18 Flg	15	321-4	2	Screw-HH 1/4-20 X 3/4
4	105-6849	1	Screw-Tph #10-24 X 1/2 Tf	20	3256-22	2	Washer-1/4 SAE
5	110-6765	1	Switch	23	82-2190	2	Switch
6	116-5609	1	Module ASM	24		1	Battery (300 CCA, Wet) ●■
8	117-2221	1	Switch-Ignition	25	126-7627	1	Strap-Bungee
10	126-5803	1	Harness-Wire ▲				
11	126-6267	2	Screw-Truss HD 5/16-18 X 2 3/4 Torx Plus				

● Obtain locally.

■ Not serviced separately

▲ Use dielectric grease on all unsealed connectors and terminals only. Do not apply in sealed connectors.

Harness Assembly



Harness Assembly (continued)

<i>Ref.</i>	<i>Part Number</i>	<i>Qty.</i>	<i>Description</i>	<i>Ref.</i>	<i>Part Number</i>	<i>Qty.</i>	<i>Description</i>
2	121-8868	1	Fuse-Mini Blade, 20 Amp	7	103-3895	1	Diode
3	126-3991	1	Relay-Micro	8	126-8876	1	Insulator-Battery
4	32180-176	1	Cover-Block, Fuse	9	1-543393	1	Insulator-Solenoid
5	32180-177	1	Clip-Mounting	10	121-8867	1	Fuse-Mini Blade, 15 Amp
6	116-0053	1	Cap-Plug				

Notes:



MAXIMIZE THE PERFORMANCE OF YOUR EXMARK MACHINE.



EXMARK® PREMIUM ENGINE OIL

Exmark now offers a family of engine oil viscosities to perform well in any environment. Each viscosity has the same synthetic formulation to give you what you need in punishing conditions. We designed each grade to the highest quality, making it ideal even for diesel applications. Coupled with Exmark Premium Fuel Treatment, we have the performance products to make your machine hum.

EXMARK PREMIUM ENGINE OIL SAE 30/10W-30

- Meets zero shear requirements of a straight grade SAE 30 as well as the cold temp properties of a 10W-30.
- Most versatile oil in the industry.
- Superior corrosion protection over conventional oil - even in corrosive, humid environments.

EXMARK PREMIUM ENGINE OIL SAE 20W-50

- Perfect for your big block engine, or any application in severe service.
- Same full synthetic formulation as all other Exmark Premium viscosities.
- Also effective for use in severe service small block engines.

EXMARK PREMIUM ENGINE OIL SAE 10W-50

- Full synthetic formulation gives you peak performance. Don't settle for less.
- Wide span multi-grade combines easy starting in cold weather with maximum protection in high temperature operation.
- Reduce friction & wear over standard mineral formulations.

EXMARK PREMIUM ENGINE OIL SAE 0W-40

- The perfect choice for when the weather turns cold or unpredictable, and your Exmark UTV has to perform.
- Commercial quality for severe service.
- Advanced additive package helps prevent corrosion from long-term storage.

EXMARK PREMIUM ENGINE OIL UTV FORMULATION

- 4-cycle high-temp formulation.
- Heavier viscosity, full synthetic, perfect for your UTV.

EXMARK PREMIUM UTV EXTREME CONDITIONS GEAR OIL

- SAE 80W-90, designed to keep your UTV performing at its peak.
- Shear stable, hypoid gear lube.
- Includes a premium additive system to combat wear, oxidation, rust & corrosion.

Available from your local Exmark dealer. Find your closest dealer at exmark.com

EXMARK ACCESSORIES AND OPTIONS*

MID-MOUNT RIDING ACCESSORIES AND OPTIONS

CUSTOM RIDE SEAT SUSPENSION SYSTEM	OPERATOR CONTROLLED DISCHARGE
FULL SUSPENSION SEAT	SUN SHADE
DECK LIFT ASSIST KIT	TRASH CONTAINER
HITCH KIT	TURF STRIPER
LIGHT KIT	ULTRA VAC COLLECTION SYSTEM
12V POWER PORT	ULTRA VAC QUICK DISPOSAL SYSTEM
MICRO-MULCH SYSTEM	

OUT-FRONT RIDING ACCESSORIES AND OPTIONS

CUSTOM RIDE SEAT SUSPENSION SYSTEM	SNOW BLADE
DUAL-TAIL WHEEL	SNOWBLOWER
FLOOR PAN EXTENDER	SUN SHADE
HITCH KIT	TRASH CONTAINER
LIGHT KIT	ULTRA VAC COLLECTION SYSTEM
MICRO-MULCH SYSTEM	ULTRA VAC QUICK DISPOSAL SYSTEM
ROLL OVER PROTECTION SYSTEM (ROPS)	WEATHER CAB

WALK-BEHIND ACCESSORIES AND OPTIONS

GRASS CATCHER	TURF STRIPER
MICRO-MULCH SYSTEM	STANDON

*Some accessories and options not available for some models.

Place Model No. and Serial No.
Label Here (Included in the Literature
Pack) or Fill in Below

Model No. _____

Serial No. _____

Date Purchased _____

Engine Model No. and Spec. No. _____

Engine Serial No. (E/No) _____

© 2016 Exmark Mfg. Co., Inc.
Industrial Park Box 808
Beatrice, NE 68310
All Rights Reserved

Part No. 4502-917 Rev. B
(402) 223-6375
Fax (402) 223-5489
Printed in the USA.

