



RADIUS® S-SERIES

Model No. RAS720CKC52300—Serial No. 40000000 and Up

Picture below may not reflect actual product.



Parts Manual

Ordering Replacement Parts

To order replacement parts, please supply the part number, the quantity, and the description of each part desired.

Understanding Reference Numbers

Each identified part in an illustration has a reference number. The reference number for a part also appears in the parts list, along with other information about the part.

This catalog uses two special reference number formats, one to indicate parts in a service assembly and another to indicate the quantity of a given part in an illustration.

Service Assembly Reference Numbers

Parts in service assemblies have reference numbers in the form a:b. The a represents the reference number of the entire service assembly and the b represents a sequential number unique to each part within the service assembly.

For example, a wheel assembly might be identified by reference number 6, the tire by 6:1, the valve by 6:2, and the wheel by 6:3. When you order the assembly identified by reference number 6, you receive all parts identified by reference numbers 6:1, 6:2, and 6:3. However, you may also order any part individually. Reference numbers of this type appear in illustration and in parts lists.

Reference Numbers Indicating Quantity

In an illustration, if a reference number indicates more than one part, the reference number has the form nX y. The n represents the quantity of the part, the X is the multiplication symbol, and the y represents the reference number.

For example, in an illustration, the reference number 2X 37 means that two of the parts identified by reference number 37 are indicated.

List of Abbreviations

AR: as required	HLH: hex lag head	PTH: phillips truss head
ASM: assembly	HOC: height-of-cut	PTO: power-take-off
BBC: blade brake control	HP: high pressure	RH: right hand
BHTF: button head thread forming	HSBH: hex socket button head	ROPS: roll-over protection system
CARR: carriage	HSFH: hex socket flat head	RRB: rear roller brush
CCW: counter clockwise	HSH: hex socket head	SFH: slotted fillister head
CW: clockwise	HWH: hex washer head	SHH: slotted hex head
DEG: degrees	HWHTF: hex washer head thread forming	SHWH: slotted hex washer head
DPA: Dual Point Adjustment	HYD: hydraulic	SPH: slotted pan head
ECM: electronic control module	LH: left hand	SQH: square head
EXT: external	LP: low pressure	SRH: slotted round head
FH: flat head	LPG: Liquefied Petroleum Gas	STD: standard
GA: gauge	NI: nylon insert	TAP: self tapping
HD: heavy-duty	NPTF: national pipe thread fine	TTH: torx truss head
HF: hex flange	PFH: phillips flat head	
HH: hex head	PPH: phillips pan head	
HHF: hex head flange	PPHTF: phillips pan head thread forming	
HHFTF: hex head flange thread forming	PRH: phillips round head	
HJ: hex jam		

Touch Up Paint

Exmark black touch up spray paint – gloss black.

Exmark red touch up paint (spray paint – P/N 1-850337 - .6 oz liquid bottle – P/N 103-9140).

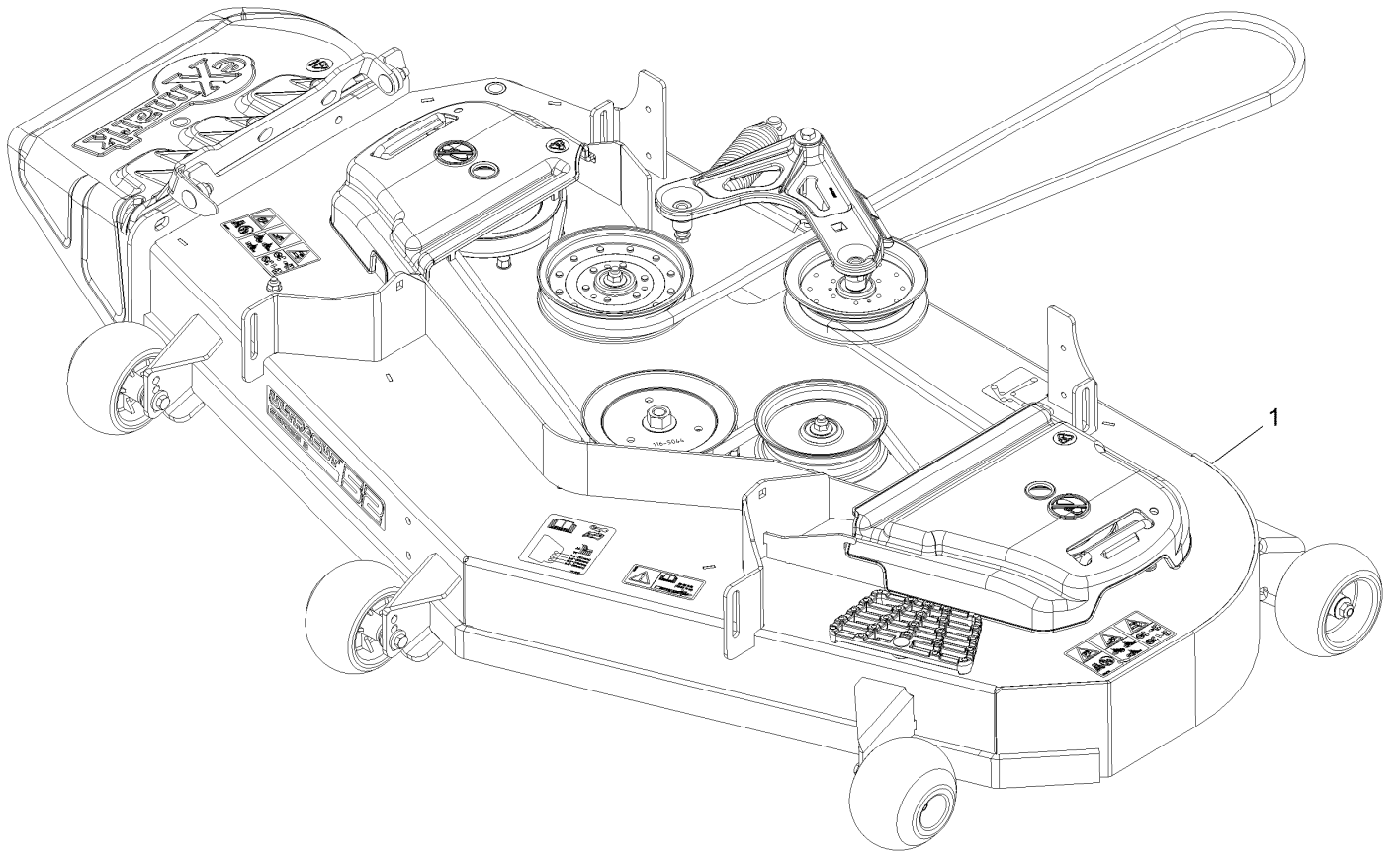


If your Exmark dealer does not have the Exmark part in stock, Exmark will get the parts to the dealer the next business day or the part will be FREE Guaranteed!! (Some restrictions apply. See your participating Exmark Dealer for details.)

Contents

Complete Deck Assembly	4
Deck Assembly	6
Deck W/Decals Assembly No. 126-3578	8
Idler Arm W/Bearings Assembly	10
Main Frame Assembly	12
Caster Wheel Assembly	14
Roll-Over Protection System Assembly	16
Deck Lift Assembly	18
Deck Strut Assembly	20
Controls Assembly	22
Motion Control Assembly	24
LH Motion Control Assembly	26
RH Motion Control Assembly	28
Seat Assembly	30
Seat W/Tracks Assembly	32
Fuel Tank Assembly	34
Fuel Tank Assembly (cont.)	36
Engine Assembly	38
Hydraulic Assembly	40
LH Transaxle Assembly	42
RH Transaxle Assembly	44
Electrical Assembly	46
Harness Assembly	48

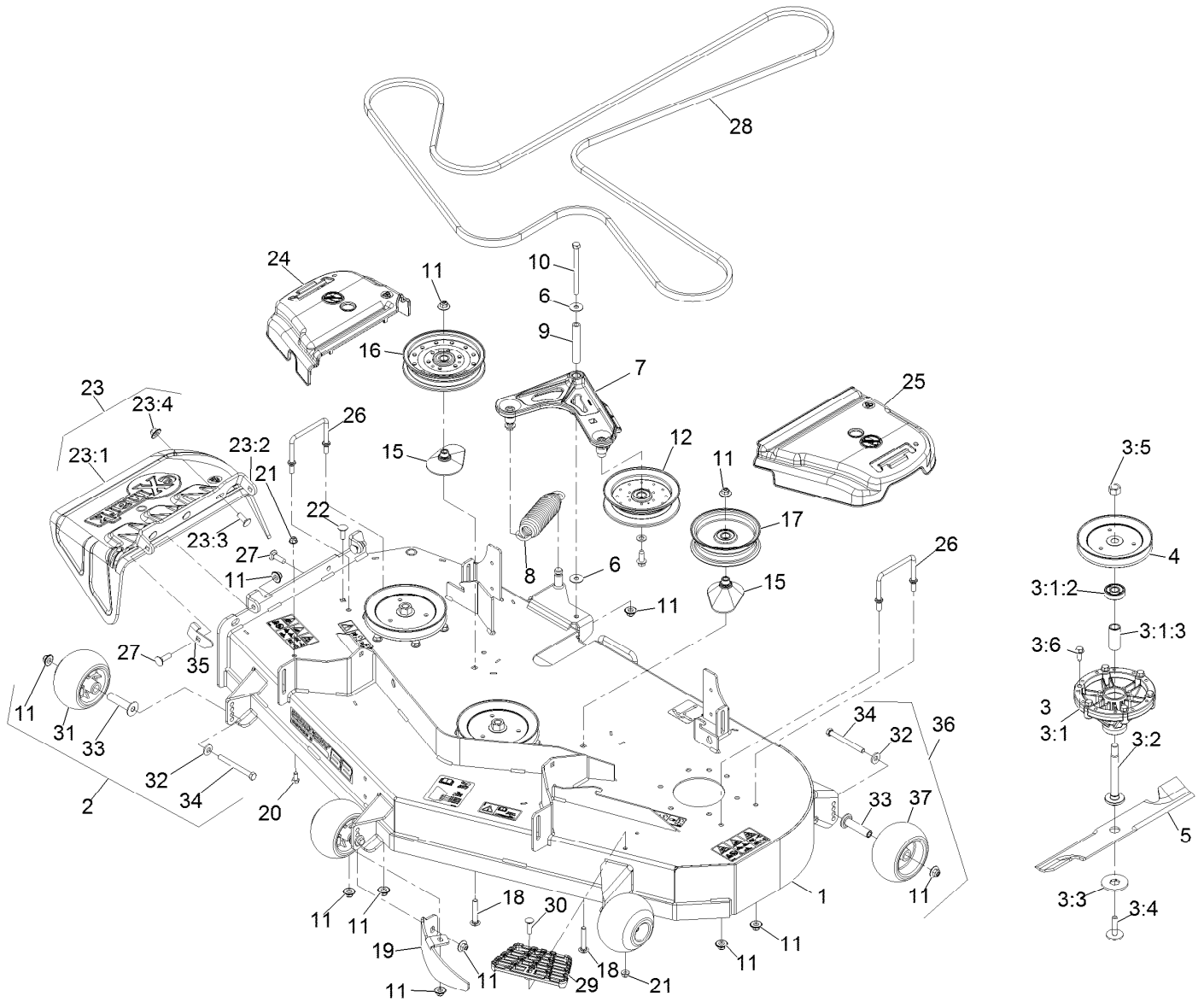
Complete Deck Assembly



Complete Deck Assembly (continued)

<i>Ref.</i>	<i>Part Number</i>	<i>Qty.</i>	<i>Description</i>
1	126-8038	1	ASM-Deck Complete 523

Deck Assembly



Deck Assembly (continued)

<i>Ref.</i>	<i>Part Number</i>	<i>Qty.</i>	<i>Description</i>	<i>Ref.</i>	<i>Part Number</i>	<i>Qty.</i>	<i>Description</i>
1	126-3578	1	ASM-Deck W/Decals 523	17	116-4669	1	Pulley-Idler Flat
2	116-9981	3	Kit, Anti-Scalp Roller	18	3231-40	2	Bolt-Carriage 3/8-16 X 2 1/4
3	126-4630	3	ASM, Cutter Housing Complete	19	116-5835-01	1	Baffle-Dogleg, Lze-Pns-52
3:1	126-4627	1	ASM-Cutter Housing	20	322-2	1	Screw-HH 5/16-18 X 5/8
3:1:2	116-4004	2	Bearing	21	104-8300	2	Nut-Nyloc 5/16-18 Flg
3:1:3	116-4876	1	Spacer-Bearing	22	3231-22	1	Bolt-Carriage 3/8-16 X 1
3:2	109-7431	1	Spindle-Hex Pilot ◆	23	109-7188	1	ASM,Discharge Chute
3:3	126-4530	1	Washer-Hex Blade Drive	23:1	109-2738	1	Chute, Discharge
3:4	116-0005	1	Bolt-Blade, Sem ● □	23:2	109-8675-01	1	Bracket,Discharge Chute
3:5	3219-6	1	Nut-Hex 5/8-18 ■	23:3	3231-22	3	Bolt-Carriage 3/8-16 X 1
3:6	126-1696	6	Screw-Thread Forming	23:4	109-6658	3	Nut-Nyloc 3/8-16 Flg
4	116-5044	3	Sheave,Blade Drive 6.50	24	109-6935	1	Cover-Belt, RH
5	103-6402	3	Blade-Notched	25	109-6936	1	Cover-Belt, LH
5	103-6392	3	Blade, Mulching ▲	26	109-6982	2	Wireform-Cover
5	103-6387	3	Blade, Low Lift	27	3231-25	3	Bolt-Carriage 3/8-16 X 1 1/4
5	103-6382	3	Blade, Solid	28	126-7443	1	Belt-V
5	116-5175	3	Blade-Extreme 2, 18.00"	29	126-4781-03	1	Step-Deck
6	52-2860	2	Washer	30	3230-3	1	Bolt-Carriage 5/16-18 X 1 1/4
7	126-0976	1	Idler Arm ASM	31	103-8415	3	Roller-Anti-Scalp
8	116-6317	1	Spring-Extension	32	98-5975	5	Washer-Spring Disc 3/8
9	116-5111	1	Bushing	33	116-8131	5	Axle, Roller
10	323-38	1	Screw-HH 3/8-16 X 4 3/4	34	116-9362	5	Screw-HH 3/8-16 X 3 3/4 Gr 8
11	109-6658	16	Nut-Nyloc 3/8-16 Flg	35	135-0064	1	Stop-Discharge Chute
12	116-4668	1	Idler-Pulley, Flanged	36	126-7840	2	Kit-Antiscalp Roller
15	109-2872	2	Spacer-Pulley	37	1-603299	2	Roller-Scalp, Anti
16	116-4670	1	Pulley-Idler, Flat				

● Torque to 50-60 ft-lb

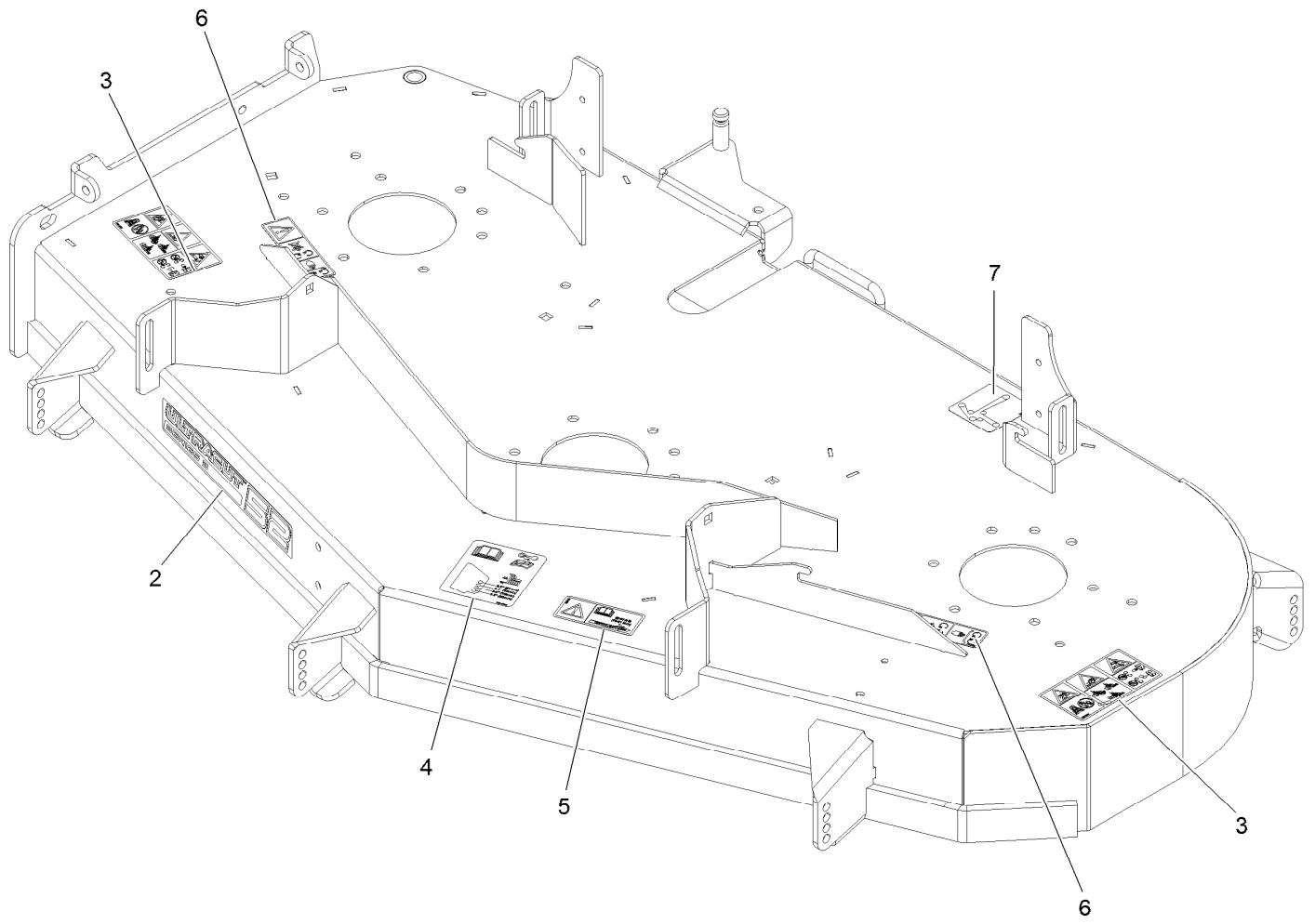
■ Torque to 75-85 ft-lb

▲ Requires installation of mulch kit for proper mulching. See your Exmark dealer for details.

◆ Apply Mobil HTS grease (P/N 103-5217 1.5 oz packet) (or a food-grade anti-seize) to spindle shaft

□ Apply lubricant to threads as needed to prevent seizing. Copper based anti-seize preferable. Grease is an acceptable substitute.

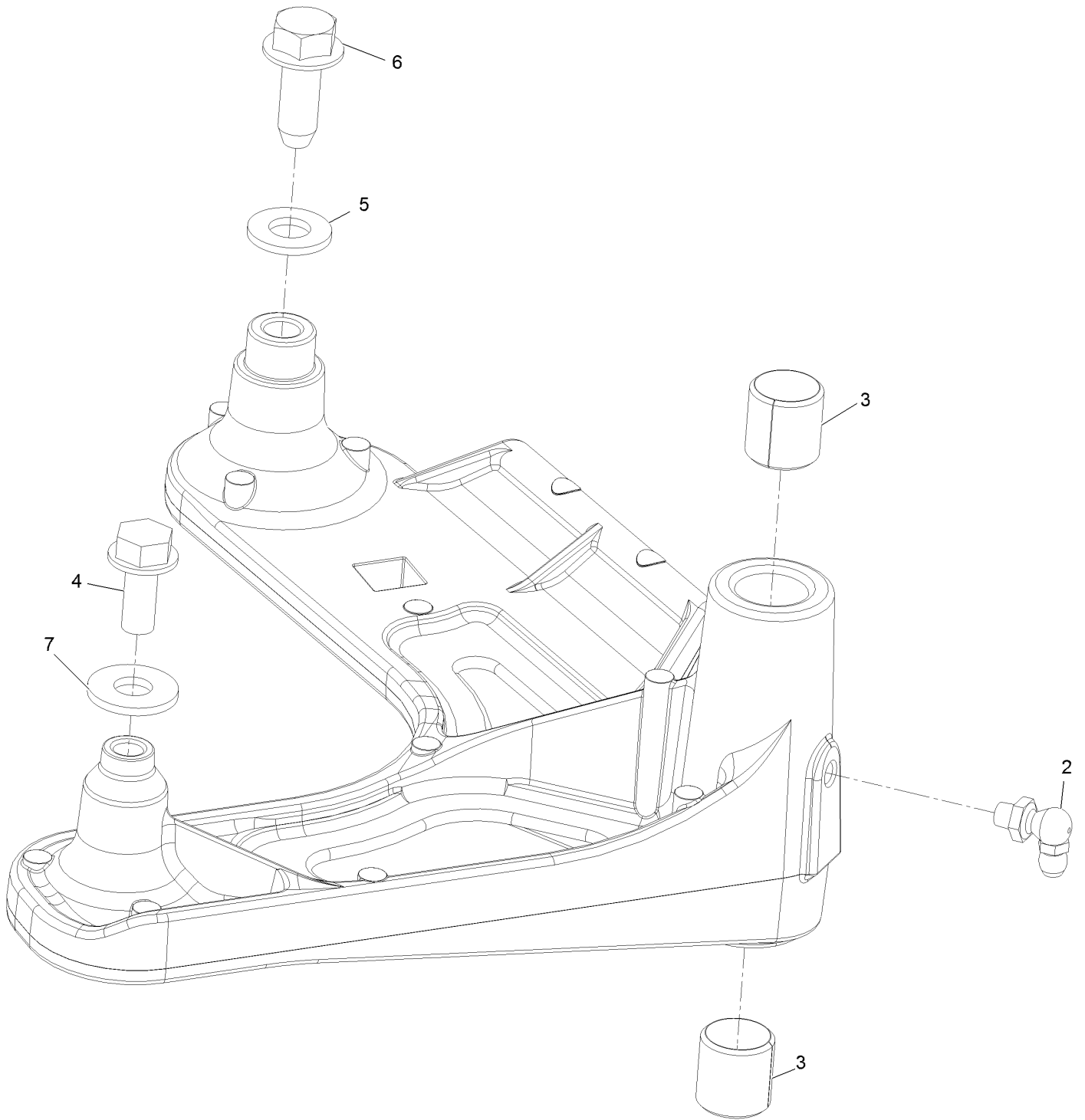
Deck W/Decals Assembly No. 126-3578



Deck W/Decals Assembly No. 126-3578 (continued)

<i>Ref.</i>	<i>Part Number</i>	<i>Qty.</i>	<i>Description</i>	<i>Ref.</i>	<i>Part Number</i>	<i>Qty.</i>	<i>Description</i>
2	126-6747	1	Decal-Ultracut 52 Series 3	5	116-8283	1	Decal-Bolt Torque
3	126-6464	2	Decal-Danger Thrown Objects	6	112-9028	2	Decal-Missing, Cover
4	109-6036	1	Decal-Roller, Anti-Scalp	7	109-6035	1	Decal-Belt Routing

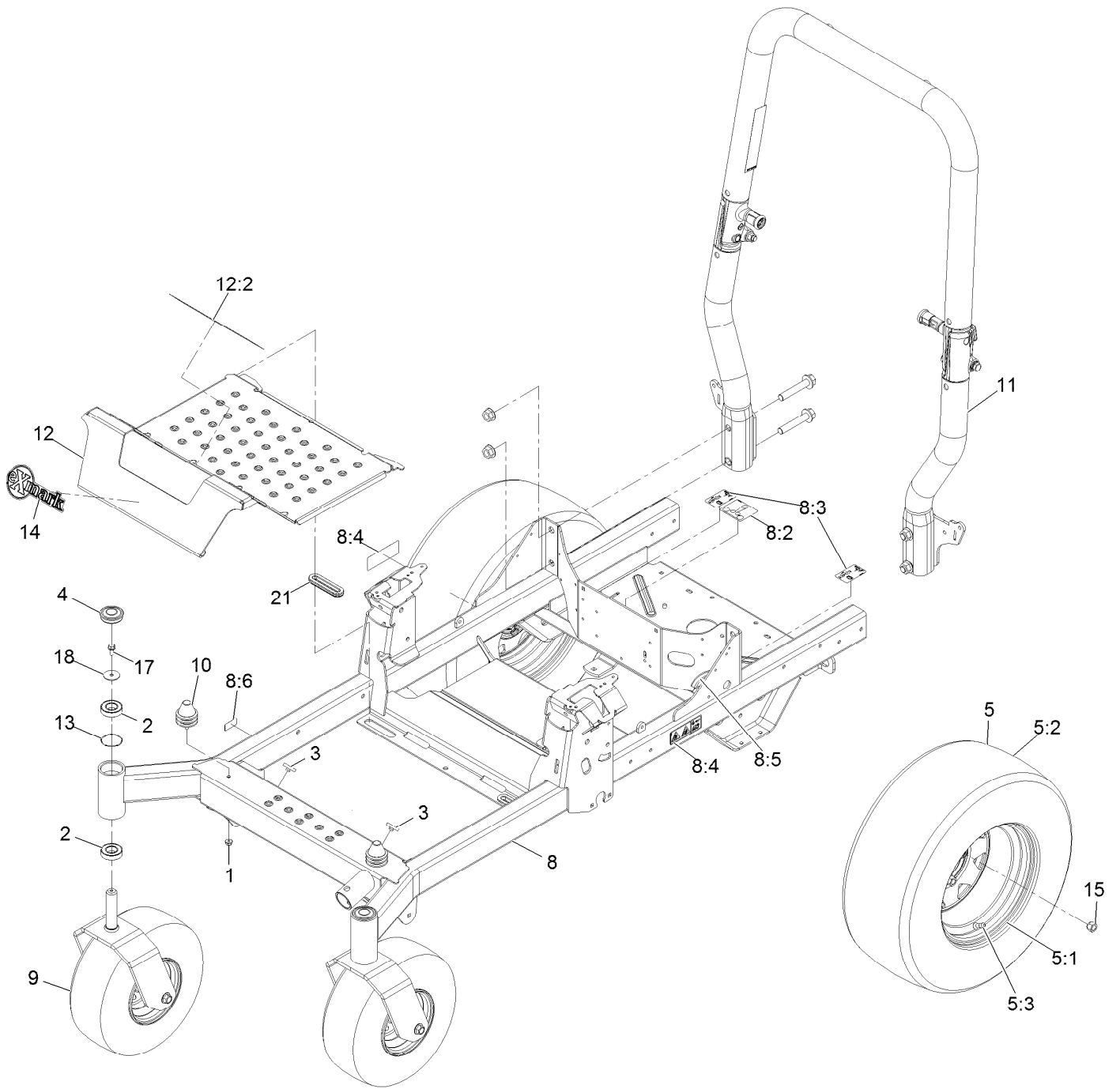
Idler Arm W/Bearings Assembly



Idler Arm W/Bearings Assembly (continued)

<i>Ref.</i>	<i>Part Number</i>	<i>Qty.</i>	<i>Description</i>	<i>Ref.</i>	<i>Part Number</i>	<i>Qty.</i>	<i>Description</i>
2	302-40	1	Zerk-90° 1/4-28	5	3256-24	1	Washer-3/8 Sae
3	1-513034	2	Sleeve-Bearing	6	126-1696	1	Screw-Thread Forming
4	32144-11	1	Screw-HWH 5/16-18 X 3/4 Tf	7	3256-3	1	Washer-5/16 Std

Main Frame Assembly

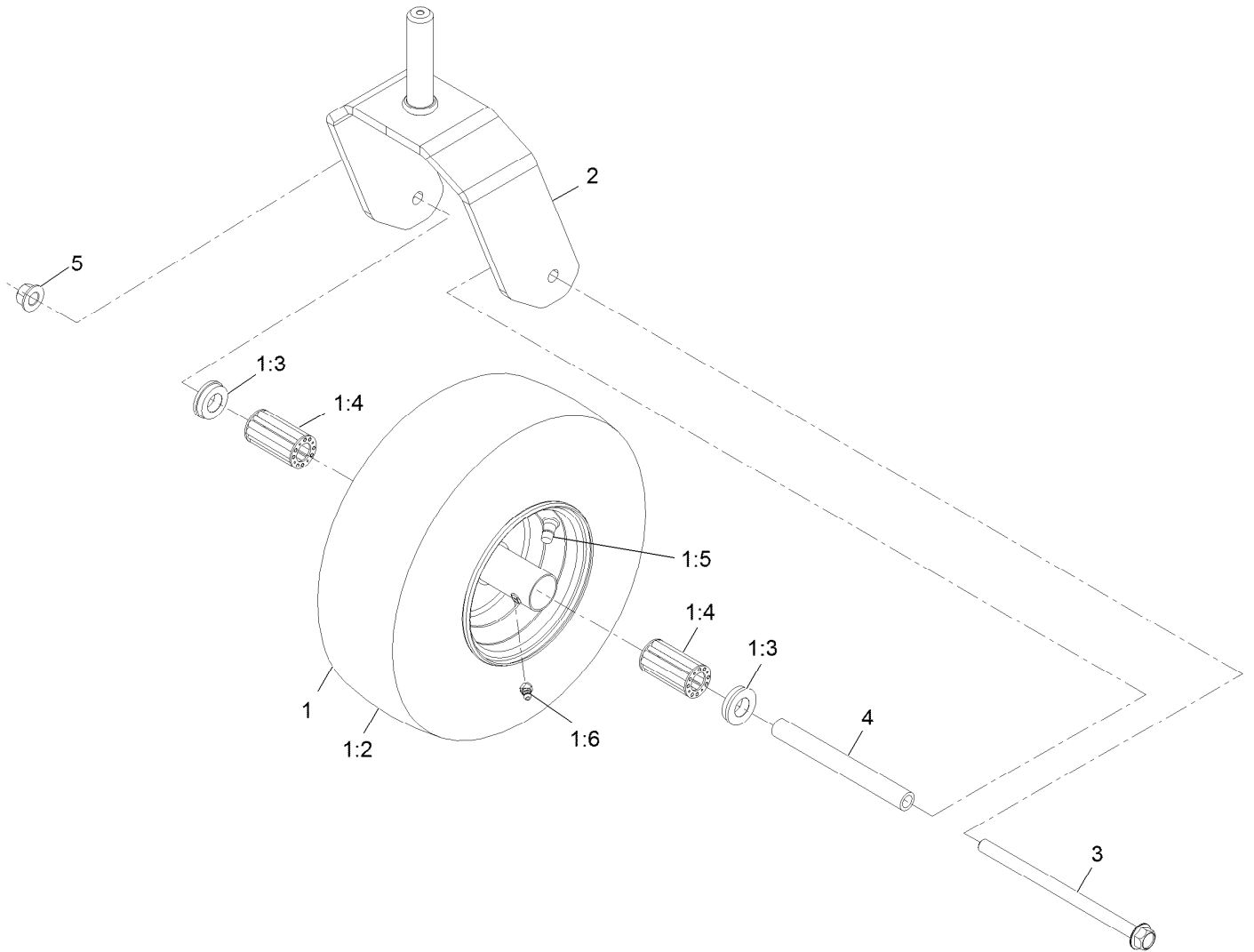


Main Frame Assembly (continued)

<i>Ref.</i>	<i>Part Number</i>	<i>Qty.</i>	<i>Description</i>	<i>Ref.</i>	<i>Part Number</i>	<i>Qty.</i>	<i>Description</i>
1	104-8300	2	Nut-Nyloc 5/16-18 Flg	8:5	127-6618	1	Strip-Seal
2	109-3678	4	Bearing-Ball	8:6	126-4345	1	Decal-Patent
3	109-9233	2	Bumper-Push-In, Rubber	9		2	ASM-Front Caster W/Fork ●
4	116-4348	2	Cap-Grease	10	126-5491	2	Isolator
5	126-7823	2	Wheel And Tire ASM	11	126-9525	1	ASM-ROPS Tapered
5:1	116-6320	1	Wheel	12	126-5872	1	Pan Floor
5:2	126-3288	1	Tire-K500 23X9.5-12	12:2	126-8383	1	Decal-Danger
5:3	232-27	1	Stem-Valve	13	126-5897	2	Spring
8	126-4699	1	Frame ASM	14	126-8819	1	Decal-Exmark Logo
8:2	109-6014	1	Decal-Routing, Belt	15	242-50	8	Nut-Lug 1/2-20
8:3	116-8588	2	Decal-Release, Drive	17	3234-5	2	Screw-HH Flg 5/16-18 X 3/4
8:4	126-4363	2	Decal-Warning Rotating Devices	18	3256-68	2	Washer-Flat
				21	126-7065	2	Grommet-Rubber

● Not serviced separately

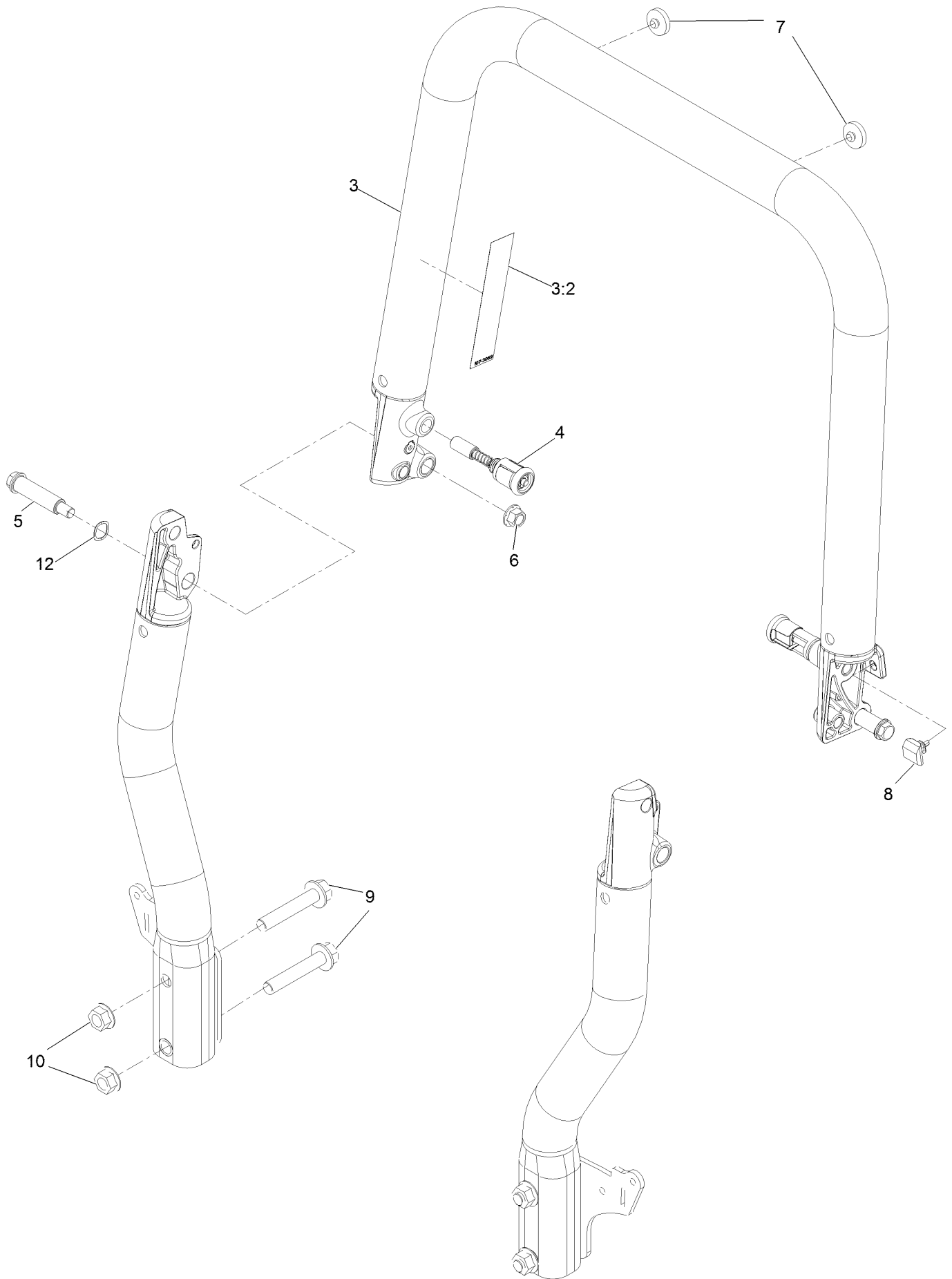
Caster Wheel Assembly



Caster Wheel Assembly (continued)

<i>Ref.</i>	<i>Part Number</i>	<i>Qty.</i>	<i>Description</i>	<i>Ref.</i>	<i>Part Number</i>	<i>Qty.</i>	<i>Description</i>
1	126-3289	1	ASM-Wheel And Tire 13X6.50-6	1:6	120-7125	1	Fitting-Zerk
1:2	126-5959	1	Tire	2	126-4312-01	1	Fork-Caster
1:3	130-0705	2	Bushing-Flange	3	126-5389	1	Screw-HHF
1:4	83-4740	2	Bearing	4	127-0068	1	Spanner-Wheel, Caster
1:5	5108	1	Valve	5	99-5107	1	Nut-Lock

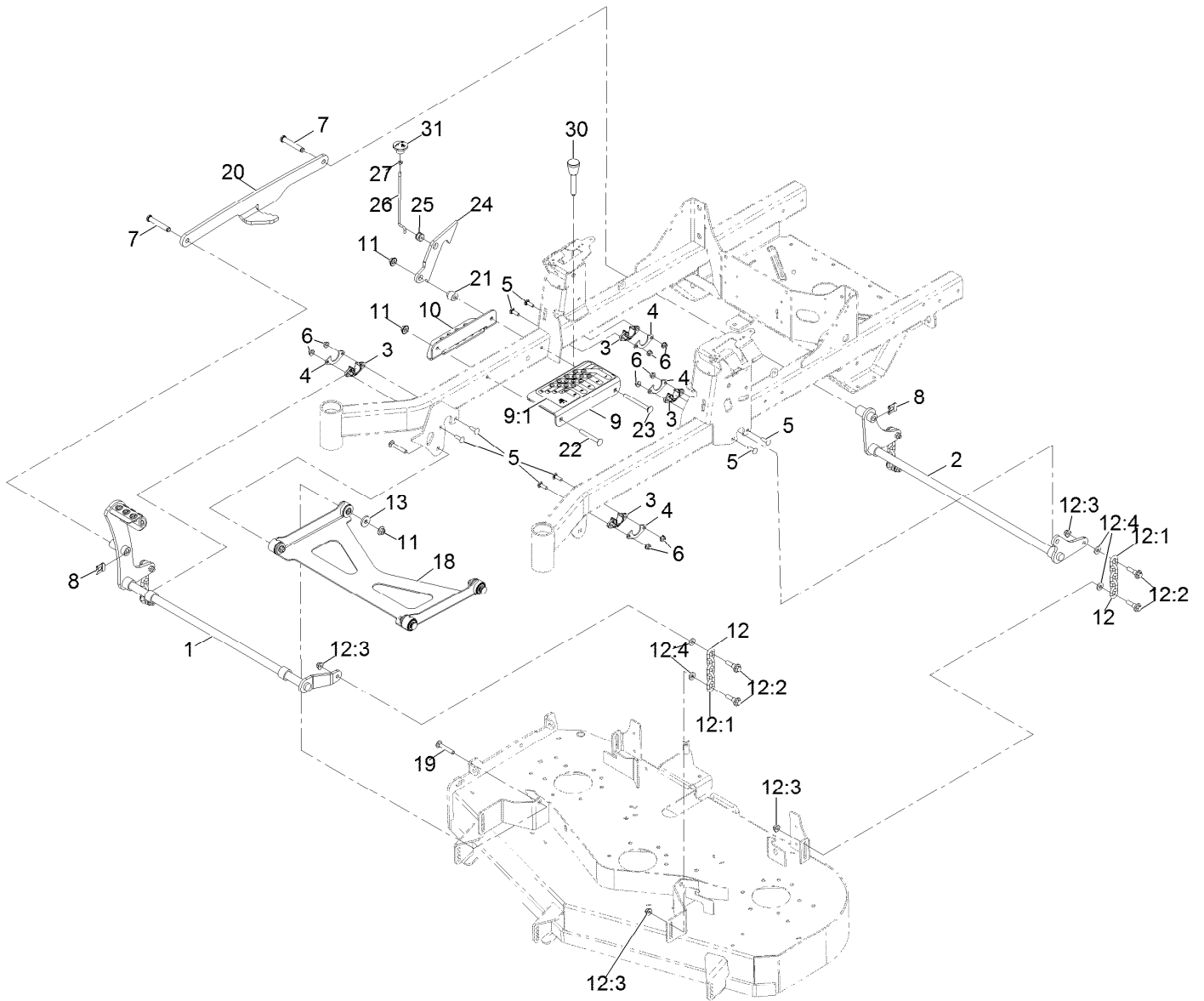
Roll-Over Protection System Assembly



Roll-Over Protection System Assembly (continued)

<i>Ref.</i>	<i>Part Number</i>	<i>Qty.</i>	<i>Description</i>	<i>Ref.</i>	<i>Part Number</i>	<i>Qty.</i>	<i>Description</i>
3	126-7838	1	Tube Top ASM	7	109-9233	2	Bumper-Push-In, Rubber
3:2	107-3069	1	Decal-Warning, Folding ROPS	8	126-9966	2	Bumper-ROPS
4	116-0104	2	Pin-Spring	9	126-9488	4	Screw-HHF 5/8-18 X 3 1/2 Gr 8
5	126-9209	2	Bolt-Shoulder	10	32128-50	4	Nut-Whizlock 5/8-11
6	99-5107	2	Nut-Lock 1/2-13	12	119-4164	2	Washer-Wave

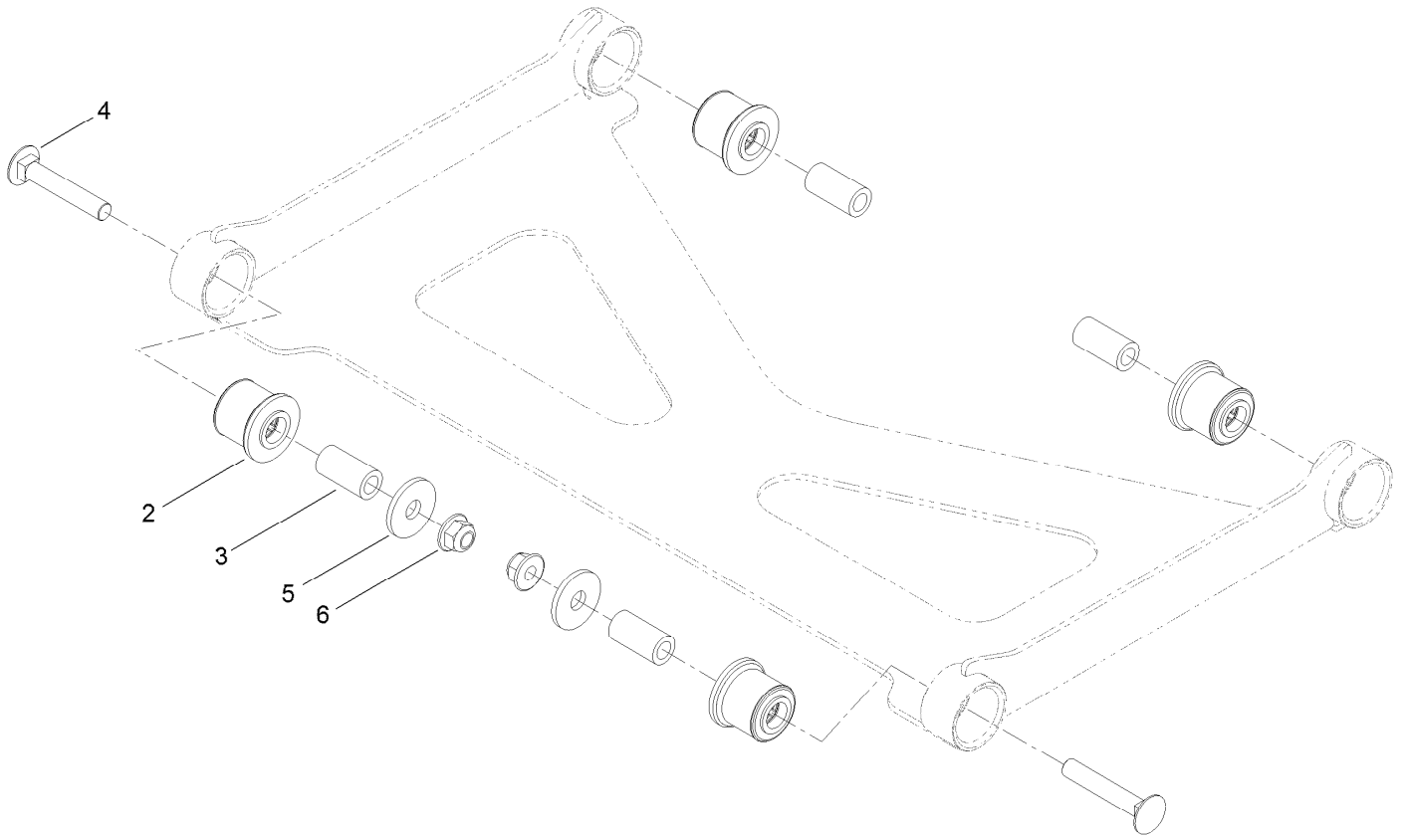
Deck Lift Assembly



Deck Lift Assembly (continued)

<i>Ref.</i>	<i>Part Number</i>	<i>Qty.</i>	<i>Description</i>	<i>Ref.</i>	<i>Part Number</i>	<i>Qty.</i>	<i>Description</i>
1	126-3342-03	1	Shaft-Lift, Deck	12:3	104-8301	2	Nut-Nyloc 3/8-16 Flg
2	126-3343-03	1	Shaft-Lift, Rear Deck	12:4	43-0940	2	Spacer
3	115-5065	4	Bushing-Flange	13	1-373034	2	Washer
4	116-2887	4	Gusset-Lift, Deck	18	126-8365	1	Deck Strut ASM
5	3230-22	8	Bolt-Carriage 5/16-18 X 1 Sp	19	3231-7	2	Bolt-Carriage 3/8-16 X 2 1/4
6	104-8300	8	Nut-Nyloc 5/16-18 Flg	20	126-4639-03	1	Link-Lift
7	126-9181	2	Pin-Clevis	21	126-5221	1	Spacer-Stepped
8	95-4064	2	Clip-Pin	22	3231-42	1	Bolt-Carriage 3/8-16 X 3
9	126-4535	1	Bracket ASM	23	135-0313	1	Screw-CARR
9:1	126-4784	1	Decal-Height Of Cut	24	126-5222	1	Plate-Lock, Transport
10	126-4640-03	1	Angle-HOC, Lower	25	126-5593	1	Grommet
11	109-6658	4	Nut-Nyloc 3/8-16 Flg	26	126-5223	1	Rod-Lock, Transport
12	126-8877	4	Deck Chain ASM	27	3218-1	1	Nut-Jam 1/4-20
12:1	1-633447	1	Chain-Lift, Deck	30	126-5401	1	Pin-HOC
12:2	130-0742	2	Bolt-Shoulder	31	126-7019	1	Knob

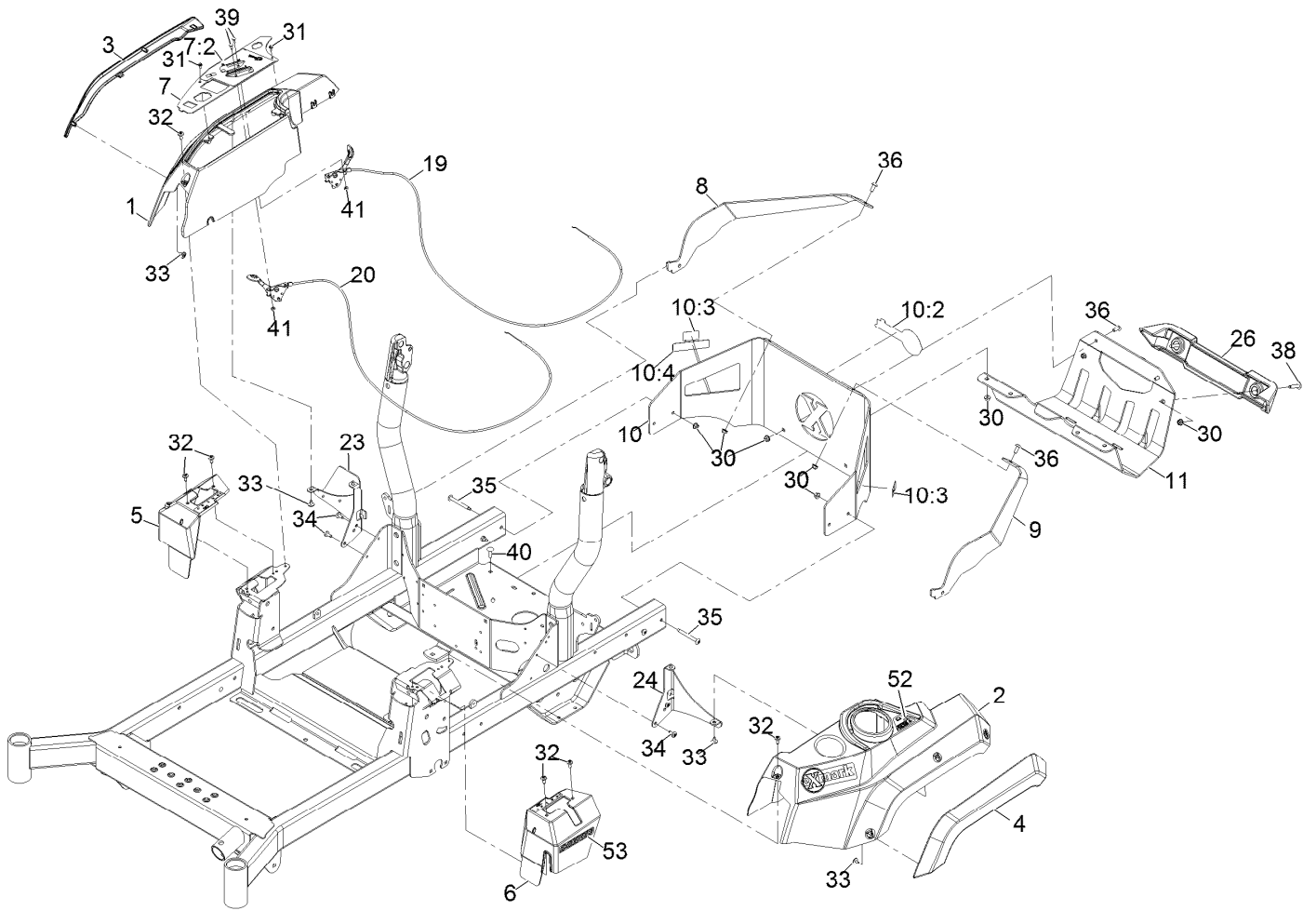
Deck Strut Assembly



Deck Strut Assembly (continued)

<i>Ref.</i>	<i>Part Number</i>	<i>Qty.</i>	<i>Description</i>	<i>Ref.</i>	<i>Part Number</i>	<i>Qty.</i>	<i>Description</i>
2	126-8360	4	Bushing-Rubber, Suspension	4	3231-7	2	Screw-CARR
3	108-6544	4	Spacer	5	2844	2	Washer
				6	104-8301	2	Nut-Flange, NI

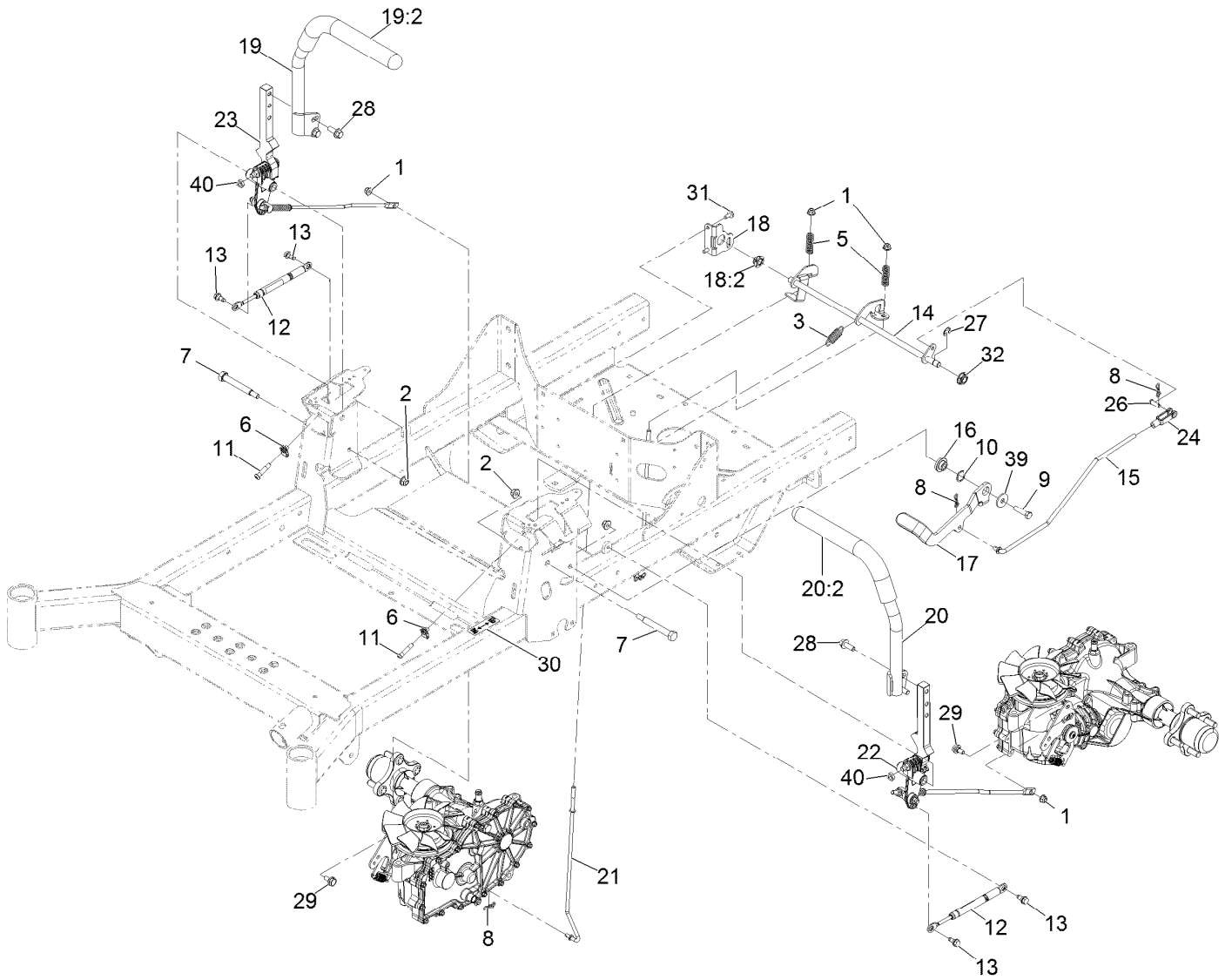
Controls Assembly



Controls Assembly (continued)

<i>Ref.</i>	<i>Part Number</i>	<i>Qty.</i>	<i>Description</i>	<i>Ref.</i>	<i>Part Number</i>	<i>Qty.</i>	<i>Description</i>
1	126-4959	1	Console-Exmark, RH	30	104-8300	12	Nut-Nyloc 5/16-18 Flg
2	126-4960	1	Console, LH	31	117-5036	2	Screw-HWH #10-14 X 1/2
3	126-4741	1	Fender-RH	32	120-7950	6	Screw-1/4-20 X 1/2 Tf Torx Plus
4	126-4742	1	Fender-LH	33	126-5544	10	Screw-HWH #10-14 X 1/2 Torx
5	126-7371	1	Cover-Motion Control, RH	34	126-6266	4	Screw-1/4-20 X .65 Torx Plus
6	126-7372	1	Cover-Motion Control, LH	35	126-6267	4	Screw-Truss HD 5/16-18 X 2 3/4 Torx Plus
7	126-7791	1	ASM-Ctrl Panel W/Dcl	36	126-6268	4	Screw-Truss HD 5/16-18 X 3/4 Torx Plus
7:2	126-6570	1	Decal-Control Panel	38	126-7439	2	Screw-Truss HD 5-16-18 X 1 1/2 Torx Plus
8	126-6015-03	1	Support-Upper, RH	39	1-807513	4	Bolt-Carriage #10-24 X 1/2
9	126-6016-03	1	Support-Upper, LH	40	3230-22	2	Bolt-Carriage 5/16-18 X 1 Sp
10	126-7802	1	Rear Guard ASM	41	3296-2	4	Nut-Nyloc #10-24
10:2	126-6965	1	Decal-Exmark Logo	52	126-9939	1	Decal-Fill, Fuel
10:3	106-5517	2	Decal-Warning, Hot Surface	53	126-9296	2	Decal-S-Series
10:4	117-2718	1	Decal-Arrester, Spark				
11	126-7664-03	1	Guard-Muffler				
19	126-6943	1	Cable-Control, Choke				
20	126-6942	1	Cable-Control, Throttle				
23	126-9945	1	Support-Console, RH				
24	126-5532-03	1	Bracket-Console, LH				
26	126-7417-03	1	Weight				

Motion Control Assembly

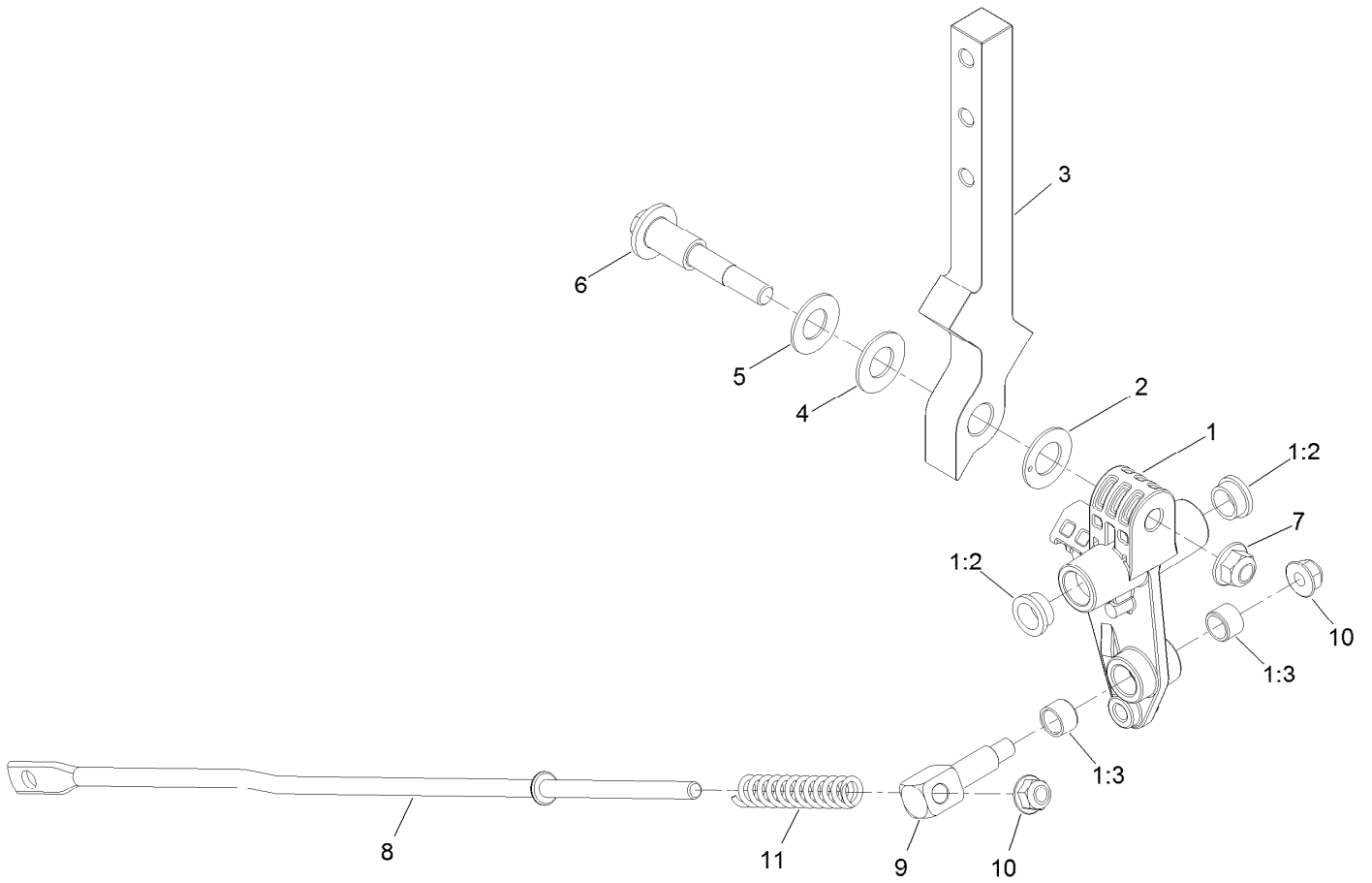


Motion Control Assembly (continued)

<i>Ref.</i>	<i>Part Number</i>	<i>Qty.</i>	<i>Description</i>	<i>Ref.</i>	<i>Part Number</i>	<i>Qty.</i>	<i>Description</i>
1	104-8300	4	Nut-Nyloc 5/16-18 Flg	19	126-9191	1	RH Control Handle ASM
2	104-8301	3	Nut-Nyloc 3/8-16 Flg	19:2	126-7359	1	Grip
3	107-1045	2	Spring-Extension	20	126-9192	1	LH Control Handle ASM
5	109-7694	2	Spring-Compression	20:2	126-7359	1	Grip
6	112-3306	2	Nut	21	126-7217	2	Linkage-Brake, Lower
7	115-5099	2	Bolt-Pivot	22		1	LH Motion Control ASM ●
8	119-1415	4	Pin-Cotter, Locking	23		1	RH Motion Control ASM ●
9	323-8	1	Screw-HH 3/8-16 X 1 1/2	24	1-303105	1	Yoke-Adjustable
10	119-4164	1	Washer-Wave	26	1-808280	1	Pin-Clevis 5/16 X 1 49/64
11	126-4299	2	Screw-HSBH	27	32120-47	1	Ring-Retaining
12	126-4322	2	Damper	28	3234-42	4	Screw HHF 3/8-16 X 1
13	126-4424	4	Screw-Shoulder,HHF,Thd Roll	29	37-8771	2	Screw-Shoulder 5/16-18 X 5/8
14	126-5813	1	Shaft-Brake	30	115-9625	1	Decal-Brake, Parking
15	126-5819	1	Linkage-Brake, Upper	31	126-6266	2	Screw-1/4-20 X .65 Torx Plus
16	126-5989	1	Pivot-Flange	32	126-5820	1	Bearing-Spherical
17	126-9490	1	Lever-Brake (With Grip)	39	2844	1	Washer
18	126-6456	1	Bracket-Brake	40	3218-3	2	Nut-Jam 3/8-16
18:2	126-5820	1	Bearing-Spherical				

● Not serviced separately

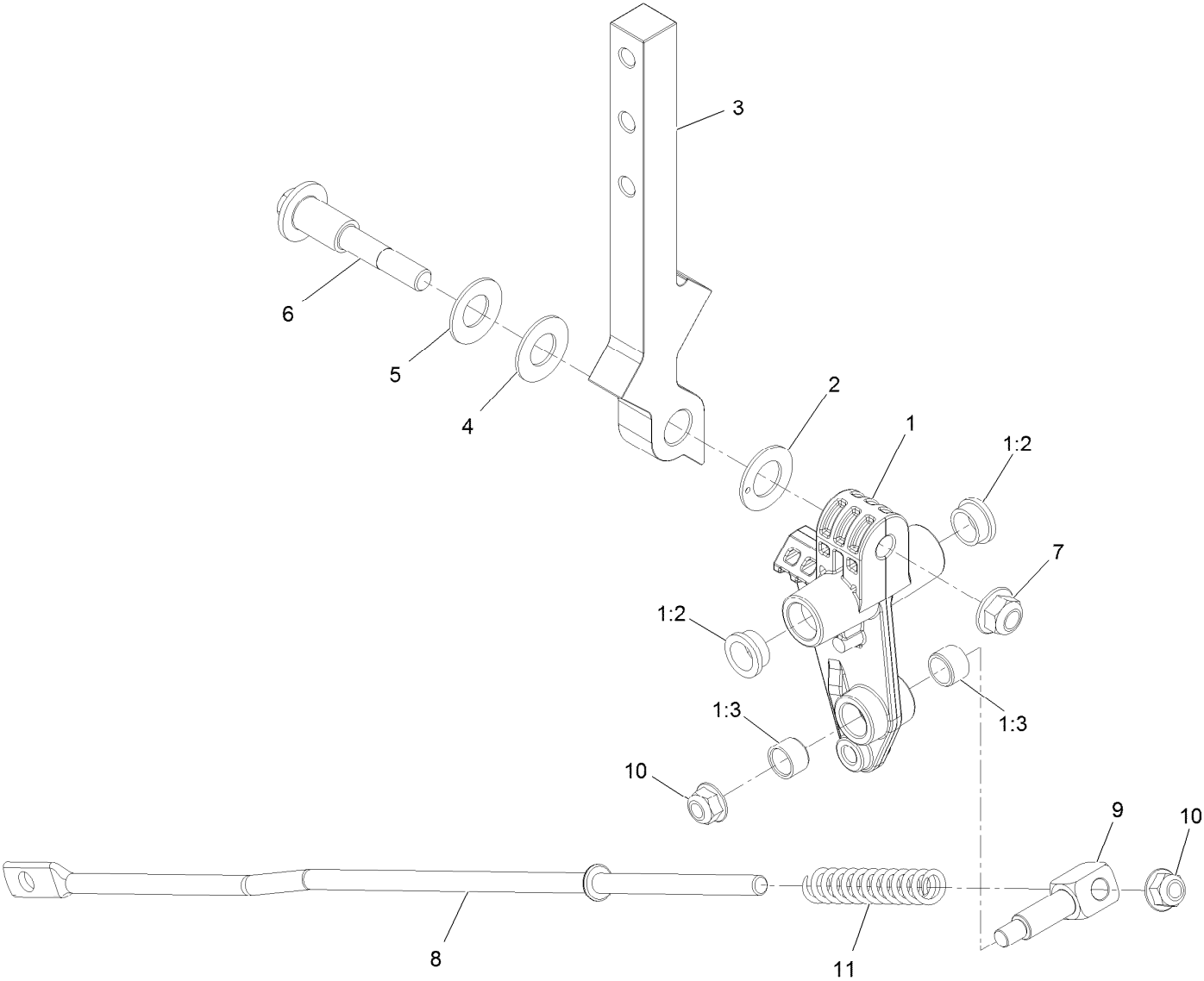
LH Motion Control Assembly



LH Motion Control Assembly (continued)

<i>Ref.</i>	<i>Part Number</i>	<i>Qty.</i>	<i>Description</i>	<i>Ref.</i>	<i>Part Number</i>	<i>Qty.</i>	<i>Description</i>
1	126-3773	1	Control Arm ASM	6	117-1198	1	Bolt-Pivot
1:2	126-8909	2	Bushing-Pm	7	104-8301	1	Nut-Nyloc 3/8-16 Flg
1:3	1-413152	2	Bushing-Sleeve	8	126-5435	1	Link-Control
2	126-7296	1	Washer-Friction	9	126-5434	1	Swivel
3	126-8182	1	Arm-Control	10	104-8300	2	Nut-Nyloc 5/16-18 Flg
4	117-1240	1	Washer	11	126-8195	1	Spring-Return, Neutral
5	119-8925	1	Washer-Belleville				

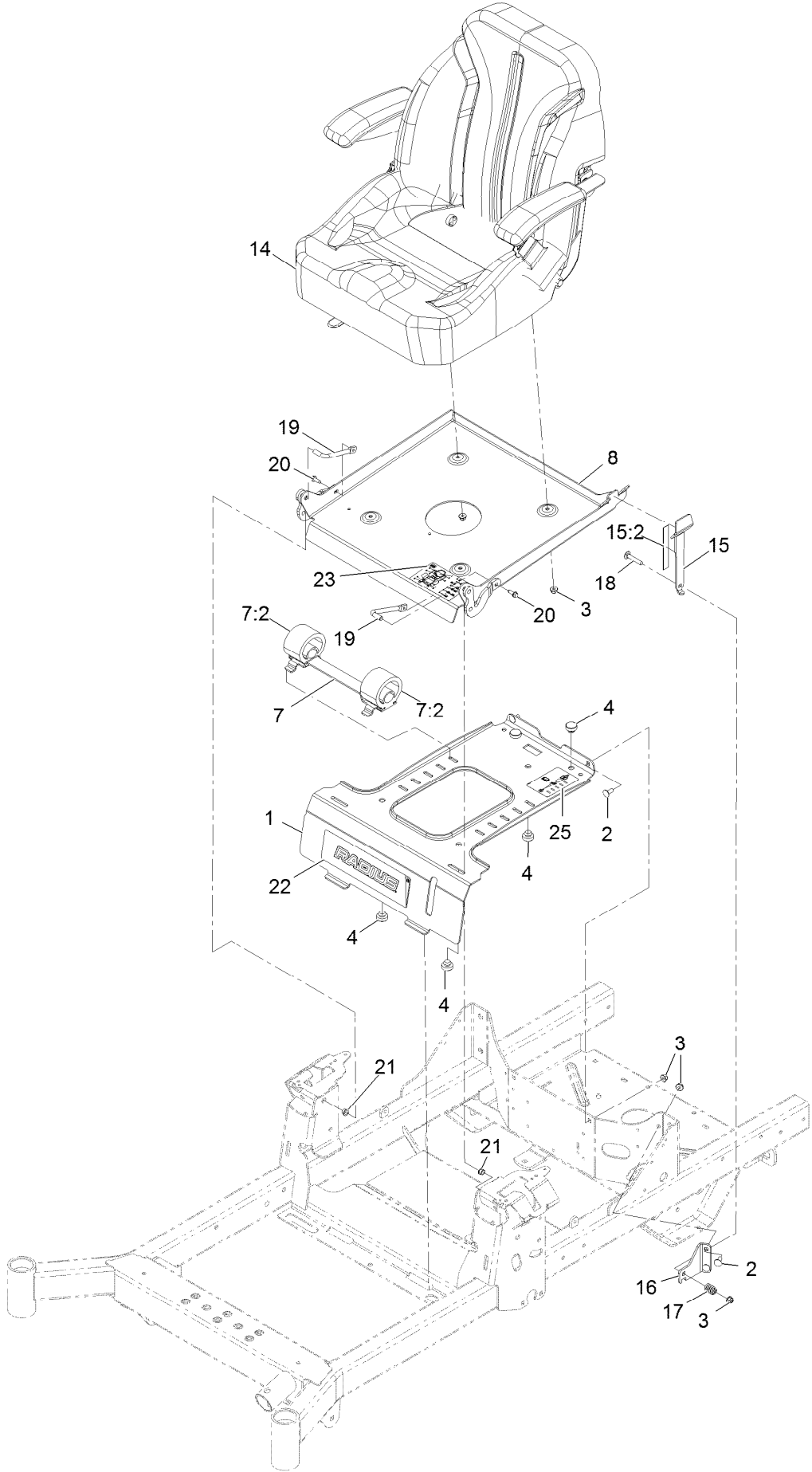
RH Motion Control Assembly



RH Motion Control Assembly (continued)

<i>Ref.</i>	<i>Part Number</i>	<i>Qty.</i>	<i>Description</i>	<i>Ref.</i>	<i>Part Number</i>	<i>Qty.</i>	<i>Description</i>
1	126-3773	1	Control Arm ASM	6	117-1198	1	Bolt-Pivot
1:2	126-8909	2	Bushing-Pm	7	104-8301	1	Nut-Nyloc 3/8-16 Flg
1:3	1-413152	2	Bushing-Sleeve	8	126-5435	1	Link-Control
2	126-7296	1	Washer-Friction	9	126-5434	1	Swivel
3	126-8182	1	Arm-Control	10	104-8300	2	Nut-Nyloc 5/16-18 Flg
4	117-1240	1	Washer	11	126-8195	1	Spring-Return, Neutral
5	119-8925	1	Washer-Belleville				

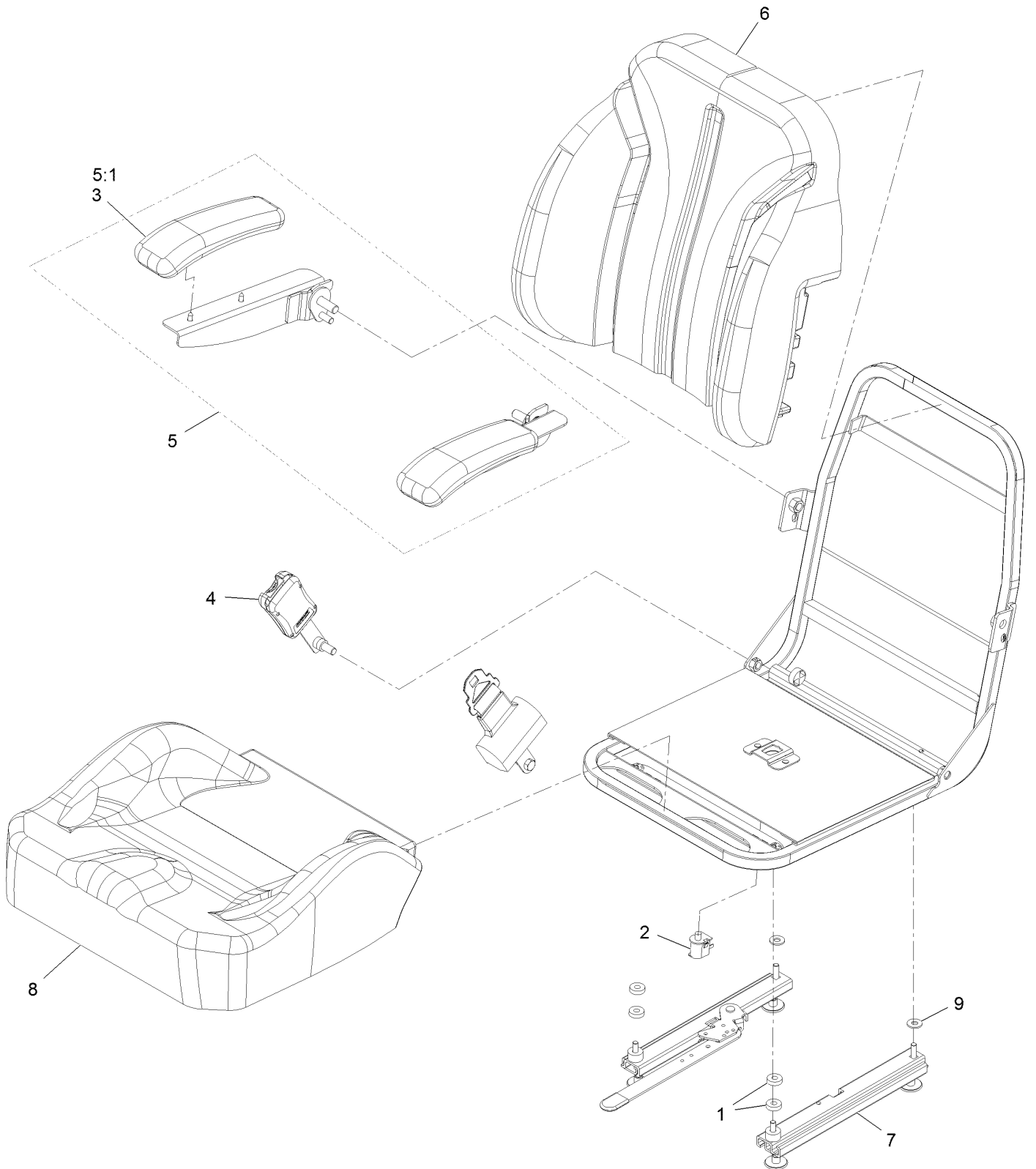
Seat Assembly



Seat Assembly (continued)

<i>Ref.</i>	<i>Part Number</i>	<i>Qty.</i>	<i>Description</i>	<i>Ref.</i>	<i>Part Number</i>	<i>Qty.</i>	<i>Description</i>
1	126-4082-03	1	Plate-Retainer, Tank	16	126-5757	1	Bracket-Latch
2	3230-23	4	Bolt-Carriage 5/16-18 X 3/4 Short Neck	17	107-3017	1	Spring-Compression
3	104-8300	9	Nut-Nyloc 5/16-18 Flg	18	116-0629	1	Screw-Carriage 5/16-18 X 1 3/4 Short
4	104-1412	5	Bumper-Rubber	19	126-5914	2	Pin-Pivot, Seat
7	126-4796	1	Seat Isolator ASM	20	32144-44	2	Screw-HWH, Thread Roll
7:2	126-5741	2	Isolator-Seat	21	1-603735	2	Bushing-Flanged
8	126-5909-03	1	Mount-Seat [black]	22	126-9082	1	Decal-Radius Logo
14	126-8291	1	ASM-Seat	23	126-8151	1	Decal-Aid, Service
15	126-6097	1	Latch Seat ASM	25	126-8194	1	Decal-Seat Suspension
15:2	116-3120	1	Strip-Poly Wear				

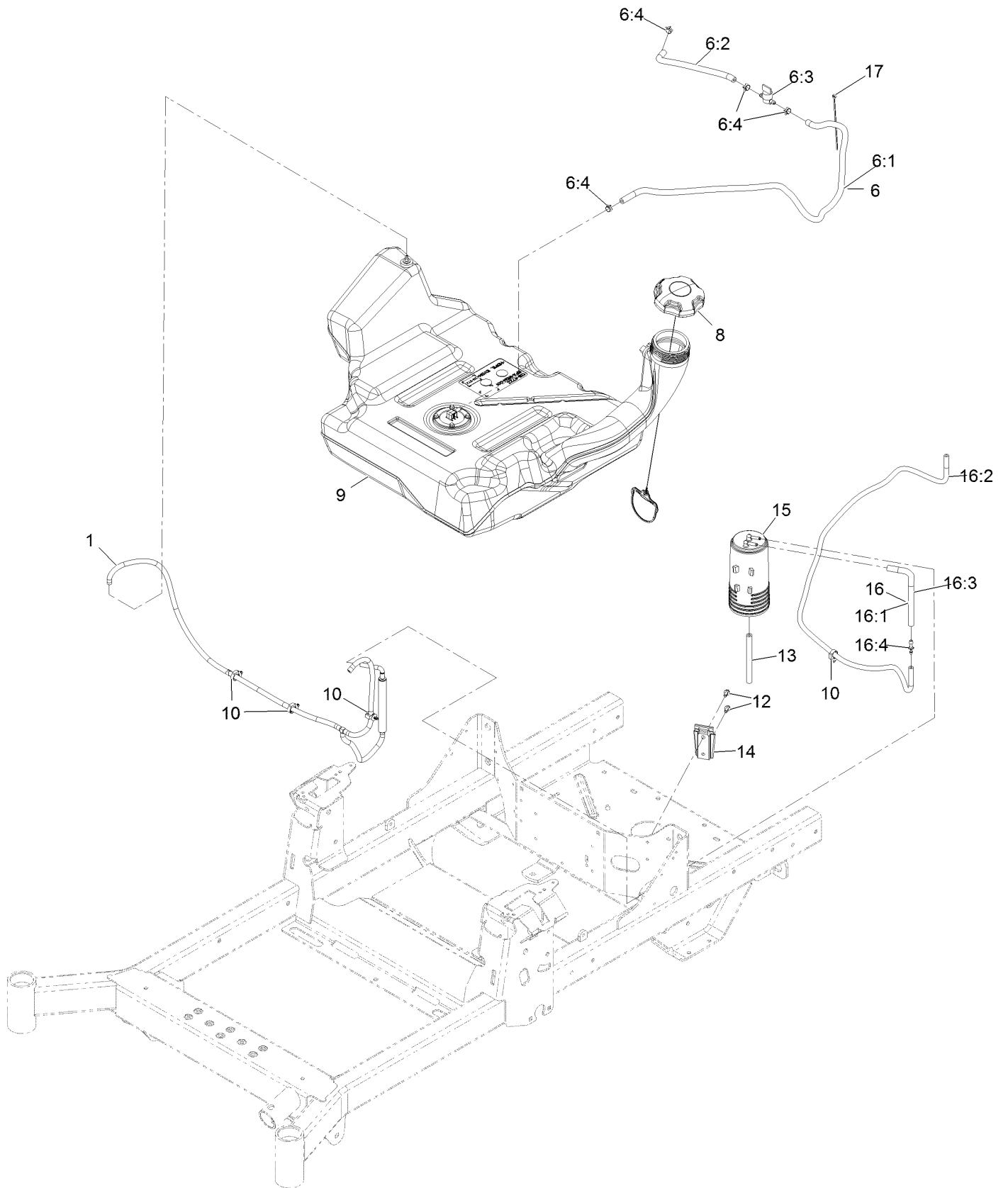
Seat W/Tracks Assembly



Seat W/Tracks Assembly (continued)

<i>Ref.</i>	<i>Part Number</i>	<i>Qty.</i>	<i>Description</i>	<i>Ref.</i>	<i>Part Number</i>	<i>Qty.</i>	<i>Description</i>
1	26-4840	4	Spacer-Pin, Mounting	5:1	110-4163	2	Cushion-Rest, Arm
2	82-2190	1	Switch	6	126-8552	1	Cover-Seat Back Svc
3	110-4163	2	Cushion-Rest, Arm	7	126-2177	1	ASM-Seat Track, Svc
4	126-9091	1	Kit-Seat Belt	8	126-7389	1	Cover-Seat Bottom Svc
5	126-2058	1	Armrest Kit	9	3256-3	2	Washer-5/16 Std

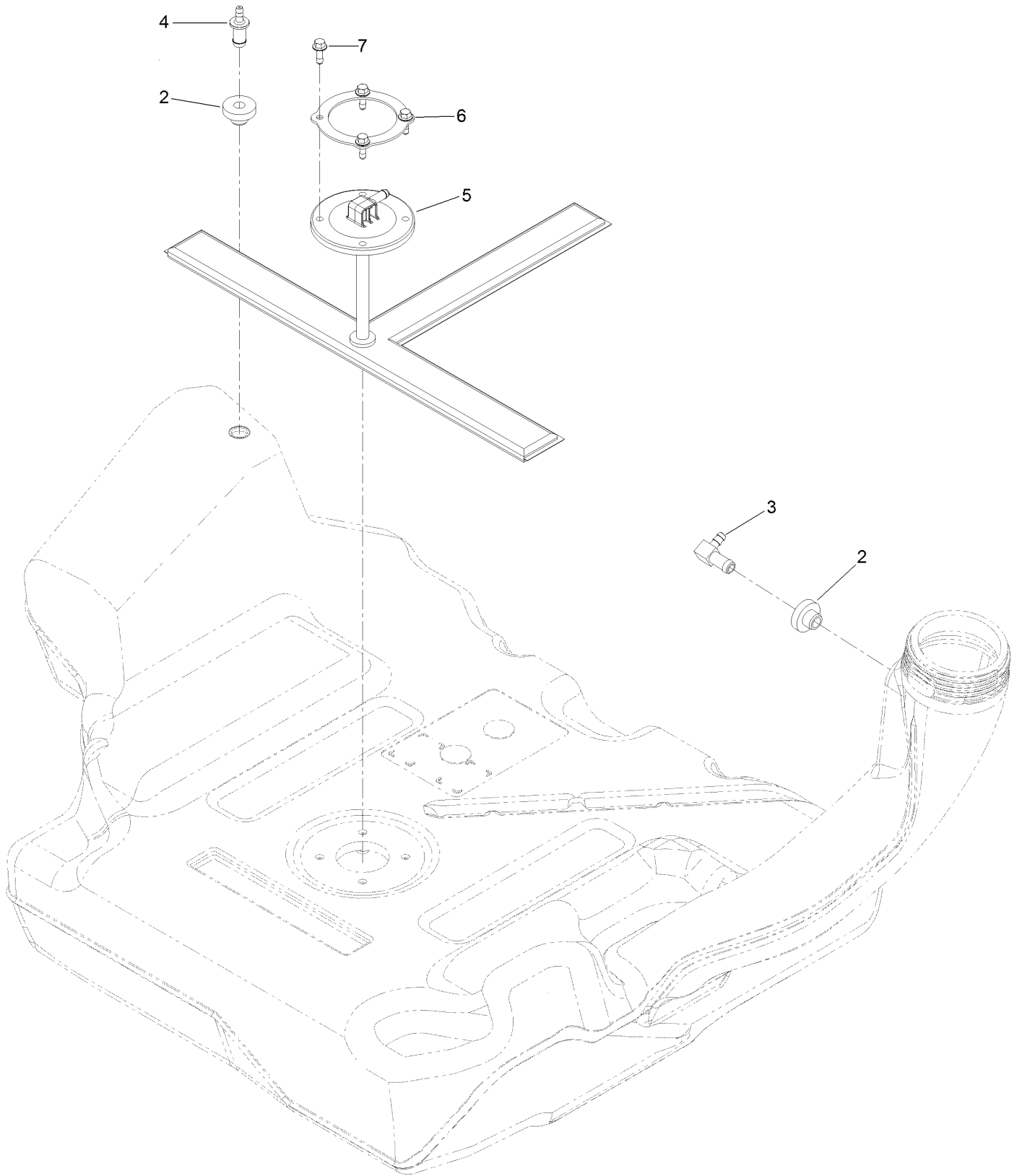
Fuel Tank Assembly



Fuel Tank Assembly (continued)

<i>Ref.</i>	<i>Part Number</i>	<i>Qty.</i>	<i>Description</i>	<i>Ref.</i>	<i>Part Number</i>	<i>Qty.</i>	<i>Description</i>
1	126-8734	1	Vent Hose ASM	13	109-0678	1	Hose-Fuel
6	126-8739	1	Fuel Hose ASM	14	114-0292	1	Bracket-Canister, Carbon
6:1	110-5702	1	Hose-Fuel	15	117-1221	1	Canister-Carbon, 800Cc
6:2	109-0282	1	Hose-Fuel	16	126-8892	1	Vent Hose ASM
6:3	1-603770	1	Valve-Fuel	16:1	110-1876	1	Hose-Fuel
6:4	2412-98	4	Clamp-Hose	16:2	108-9698	1	Hose-Fuel
8	126-4723	1	Cap-Fuel	16:3	120-2038	1	Cartridge-Cv
9	126-4724	1	Fuel Tank ASM	16:4	106-8150	1	Fitting-Straight
10	126-5523	4	Clip	17	1-303287	1	Tie-Cable
12	93-6083	2	Screw-HWH 1/2-20 X 1/2 Taptite				

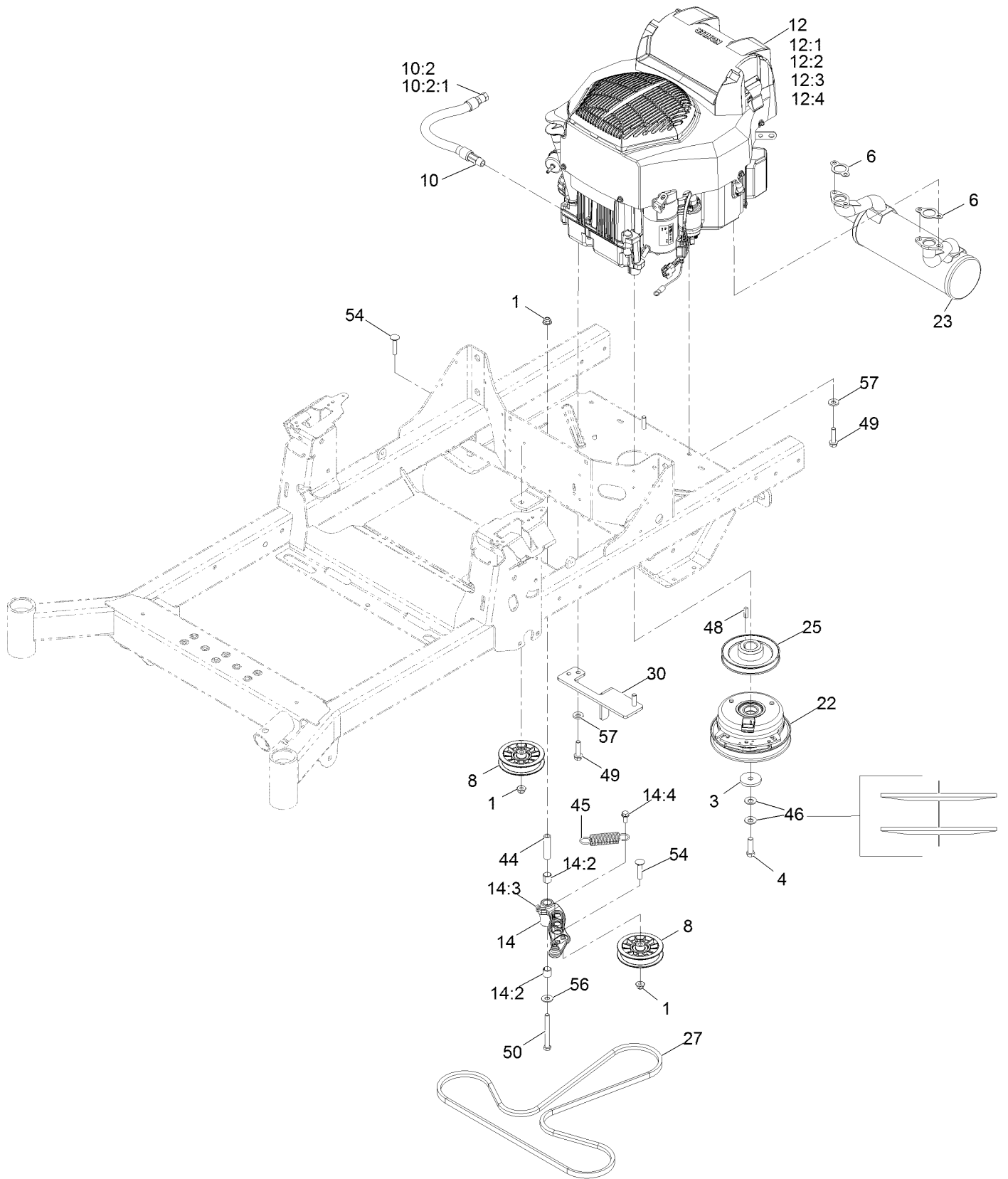
Fuel Tank Assembly (cont.)



Fuel Tank Assembly (cont.) (continued)

<i>Ref.</i>	<i>Part Number</i>	<i>Qty.</i>	<i>Description</i>	<i>Ref.</i>	<i>Part Number</i>	<i>Qty.</i>	<i>Description</i>
2	46-6560	2	Bushing	5	126-5528	1	Pickup-Fuel
3	126-9057	1	Fitting, 90 DEG	6	126-5527	1	Ring-Retainer
4	116-4630	1	Fitting-Orifice, Straight	7	126-5525	4	Bolt

Engine Assembly



Engine Assembly (continued)

<i>Ref.</i>	<i>Part Number</i>	<i>Qty.</i>	<i>Description</i>	<i>Ref.</i>	<i>Part Number</i>	<i>Qty.</i>	<i>Description</i>
1	104-8301	3	Nut-Nyloc 3/8-16 Flg	14:2	1-513034	2	Sleeve-Bearing
3	109-6919	1	Washer-Clutch	14:3	302-40	1	Zerk-90° 1/4-28
4	109-9761	1	Screw-HH 7/16-20 X 1 1/2 W/Loctite □	14:4	32144-11	1	Screw-HWH 5/16-18 X 3/4 Tf
6	1-653291	2	Gasket-Exhaust	22	126-4324	1	Clutch 1.13
8	116-2456	2	Pulley-Flat	23	126-4359	1	Muffler-Kohler Aes
10	116-5108	1	Oil Drain Hose ASM ■	25	126-5358	1	Sheave, W/Hub
10:2	353-508	1	Plug-W/O-Ring ●	27	126-5993	1	Belt-V
10:2:1	237-42	1	O-Ring	30	126-6687-03	1	Anchor-Clutch
12		1	Engine - Kohler Zt720 ▲	44	1-603384	1	Bushing-Pivot, Idler
12:1		1	Kohler 16 083 01-S Engine Air Filter ▲◆	45	1-603402	1	Spring-Extension
12:2		1	Kohler 25 050 44-S Engine Oil Filter ▲◆	46	1-603610	2	Washer-Spring Disc 7/16
12:3		1	Kohler 24 050 13-S Fuel Filter ▲◆	48	1-807259	1	Key-Machine 1/4 X 1/4 X 1
12:4		1	Kohler 25 083 04-S Safety Filter ▲◆	49	32144-102	4	Screw-HWH 3/8-16 X 1 1/2 Taptite
14	126-0973	1	Idler Arm ASM	50	323-15	1	Screw-HH 3/8-16 X 3 1/2
				54	3231-5	2	Bolt-Carriage 3/8-16 X 1 3/4
				56	3256-4	1	Washer-3/8 Std
				57	98-5975	4	Washer-Spring Disc 3/8

● Torque to 24-26 ft-lb

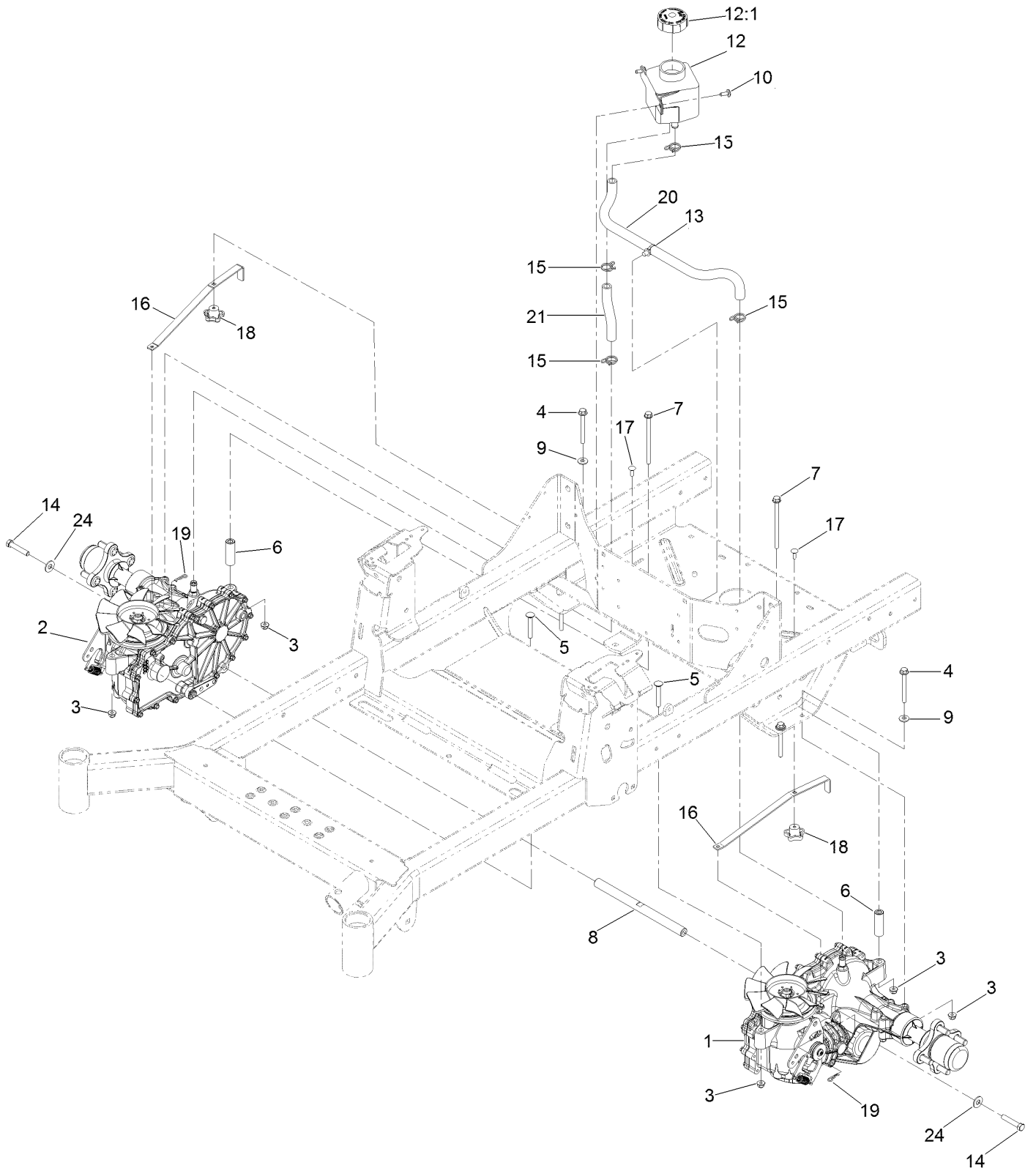
▲ Not serviced separately

□ Use Pro-Lock, Nut Type (P/N 1-840022, .5ml tube) on threads.

■ Torque to 17-23 ft-lb

◆ Obtain parts from www.kohlerplus.com

Hydraulic Assembly

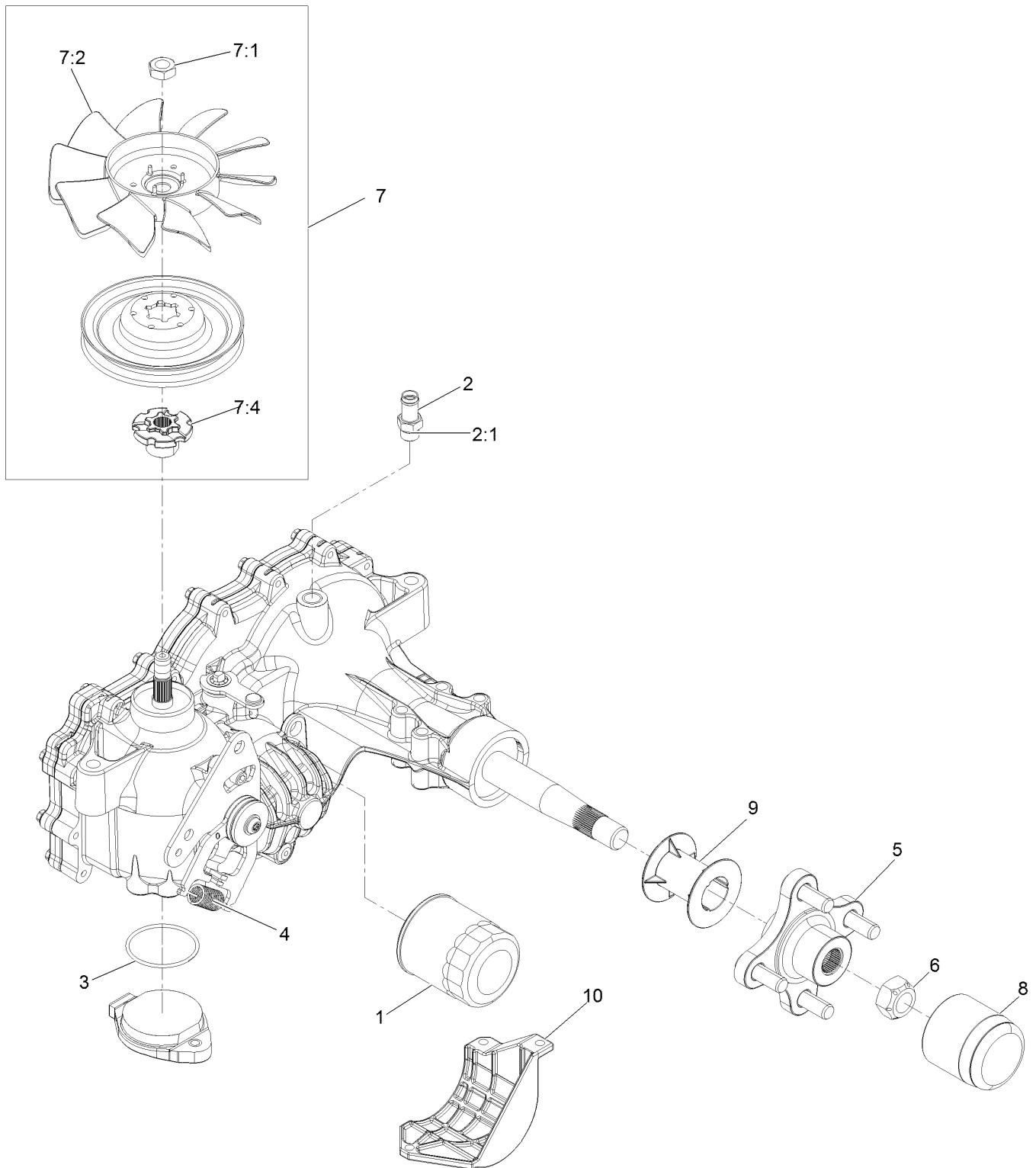


Hydraulic Assembly (continued)

<i>Ref.</i>	<i>Part Number</i>	<i>Qty.</i>	<i>Description</i>	<i>Ref.</i>	<i>Part Number</i>	<i>Qty.</i>	<i>Description</i>
1	135-0140	1	LH Transaxle ASM	12	109-2250	1	Vent-Tank, HYD
2	135-0139	1	RH Transaxle ASM	12:1	109-3320	1	Cap-Reservoir, HYD
3	104-8300	8	Nut-Nyloc 5/16-18 Flg	13	32180-118	1	Clip-Tie
4	126-4687	4	Screw-HHF	14	94-7972	2	Screw-HH W/Loctite ●
5	3230-7	2	Bolt-Carriage 5/16-18 X 2 1/4	15	126-0327	4	Clamp-Hose
6	116-5809	2	Spacer-Hydro	16	109-5395	2	Arm-Bypass, Hydro
7	126-5896	2	Screw HHF	17	3229-1	2	Bolt-Carriage 1/4-20 X 3/4
8	116-6833	1	Shaft-Spacer	18	108-6402	2	Knob-Handle
9	1-303334	4	Washer-Spring Disc 5/16	19	1-806003	2	Hairpin-Cotter
10	126-6266	2	Screw-1/4-20 X .65 Torx Plus	20	126-5668	1	Hose-Hydraulic
				21	126-5669	1	Hose-Hydraulic
				24	3256-4	2	Washer-3/8 Std

● Use Pro-Lock, Nut Type (P/N 1-840022, .5ml tube) on threads.

LH Transaxle Assembly

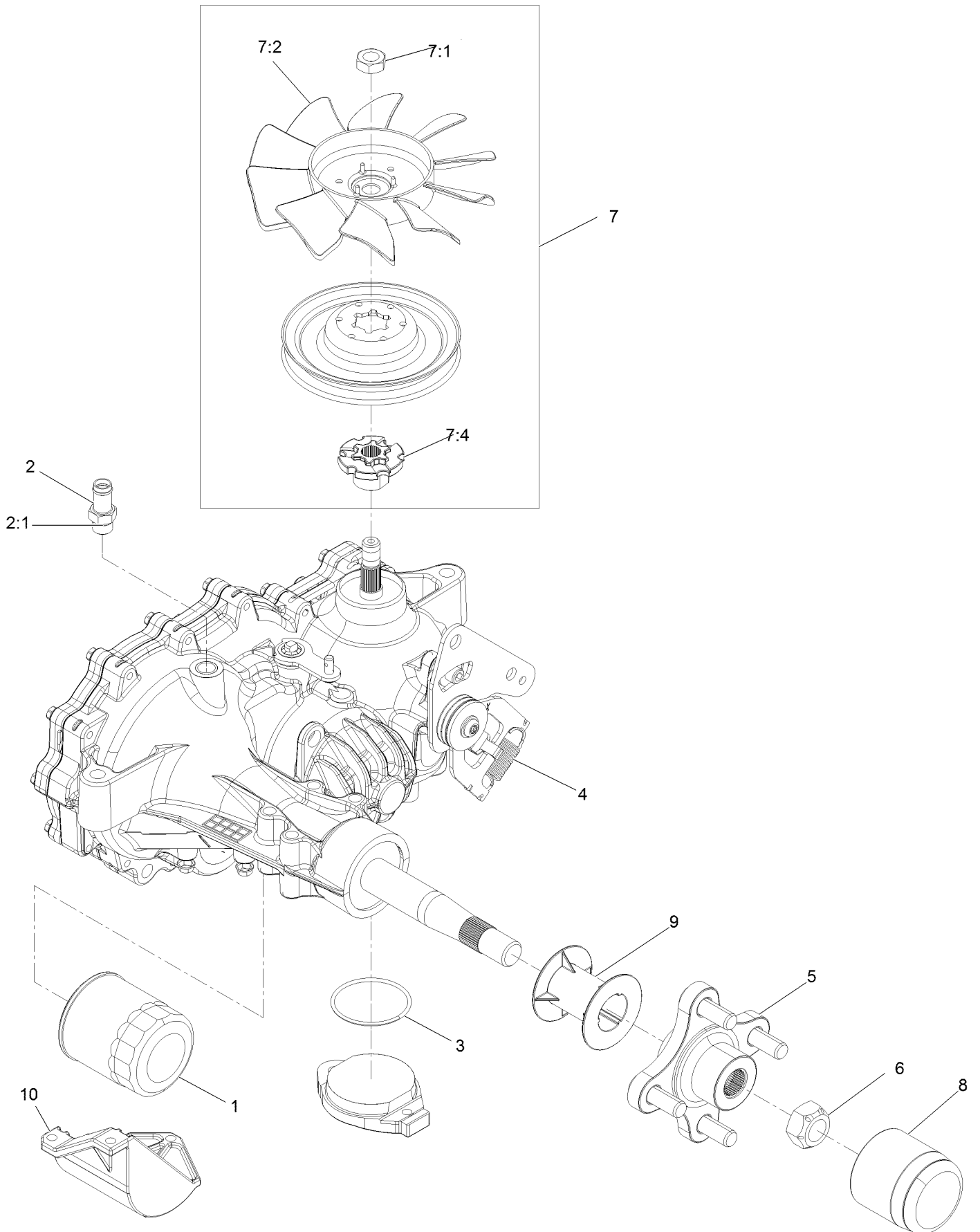


LH Transaxle Assembly (continued)

<i>Ref.</i>	<i>Part Number</i>	<i>Qty.</i>	<i>Description</i>	<i>Ref.</i>	<i>Part Number</i>	<i>Qty.</i>	<i>Description</i>
1	109-3321	1	Filter-Hydraulic	7:1	116-9714	1	Nut-HJ
2	109-3278	1	Adapter-Straight	7:2	126-0226	1	Fan
2:1	237-42	1	O-Ring	7:4	116-9705	1	Hub-Pulley
3	109-3540	1	O-Ring-Charge Seal Cover	8	116-6214	1	Cap-Long Axle
4	109-5592	1	Spring	9	116-6213	1	Tube-Axle
5	116-3872	1	Hub-Offset	10	120-7979	1	Guard-Filter, LH
6	109-3536	1	Nut-Hub	99	109-3537	1	Seal Kit ●
7	125-0059	1	Fan And Pulley Kit				

● Not illustrated

RH Transaxle Assembly

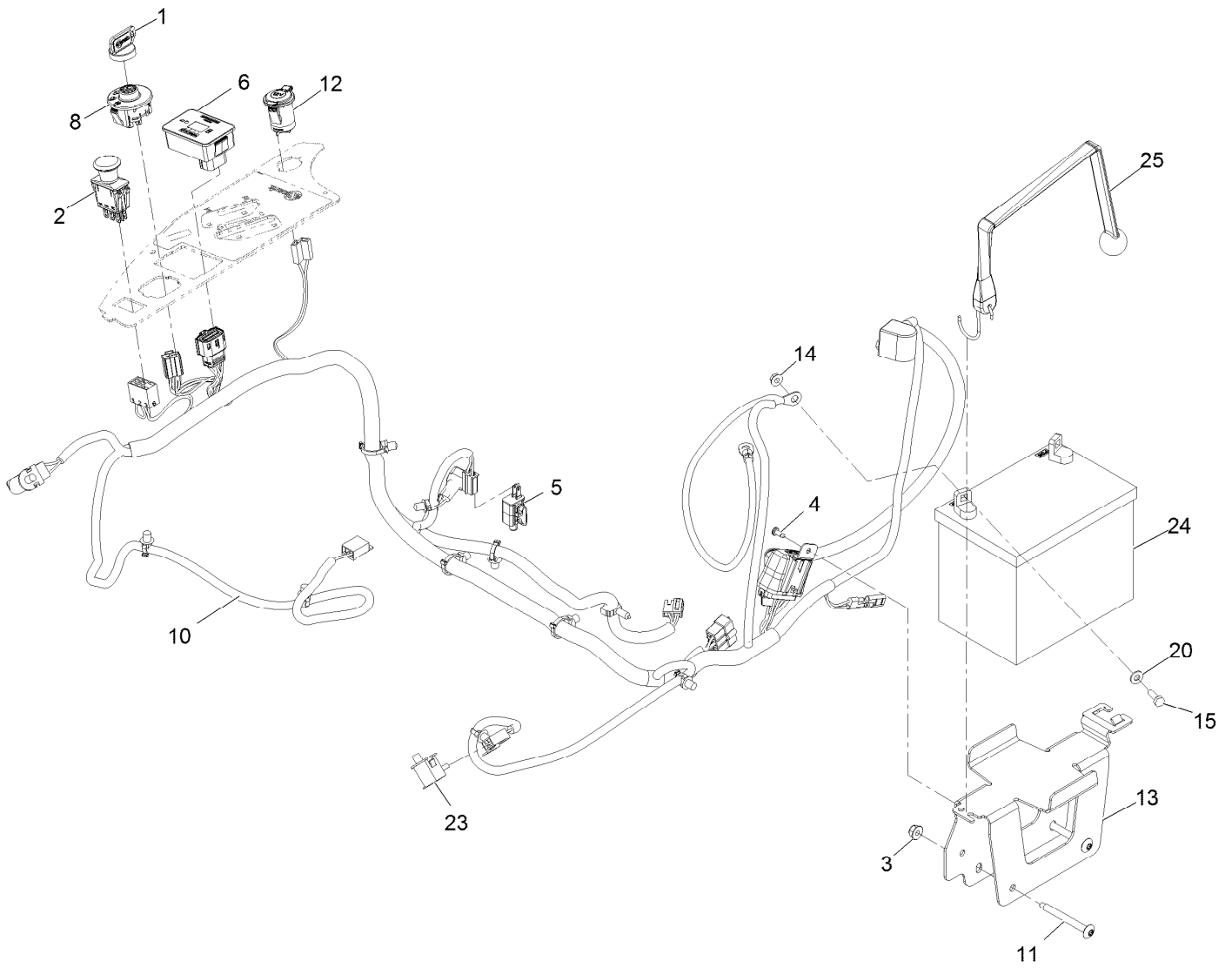


RH Transaxle Assembly (continued)

<i>Ref.</i>	<i>Part Number</i>	<i>Qty.</i>	<i>Description</i>	<i>Ref.</i>	<i>Part Number</i>	<i>Qty.</i>	<i>Description</i>
1	109-3321	1	Element-Oil Filter, HYD	7:1	116-9714	1	Nut-HJ
2	109-3278	1	Adapter-Straight	7:2	126-0226	1	Fan
2:1	237-42	1	O-Ring	7:4	116-9705	1	Hub-Pulley
3	109-3540	1	O Ring-Seal	8	116-6214	1	Cap-Long Axle
4	109-5592	1	Spring-Extension	9	116-6213	1	Tube-Axle
5	116-3872	1	Hub-Offset	10	120-7981	1	Guard-Filter, RH
6	109-3536	1	Nut-Hub	99	109-3537	1	Seal Kit ●
7	125-0059	1	Fan And Pulley Kit				

● Not illustrated

Electrical Assembly



Electrical Assembly (continued)

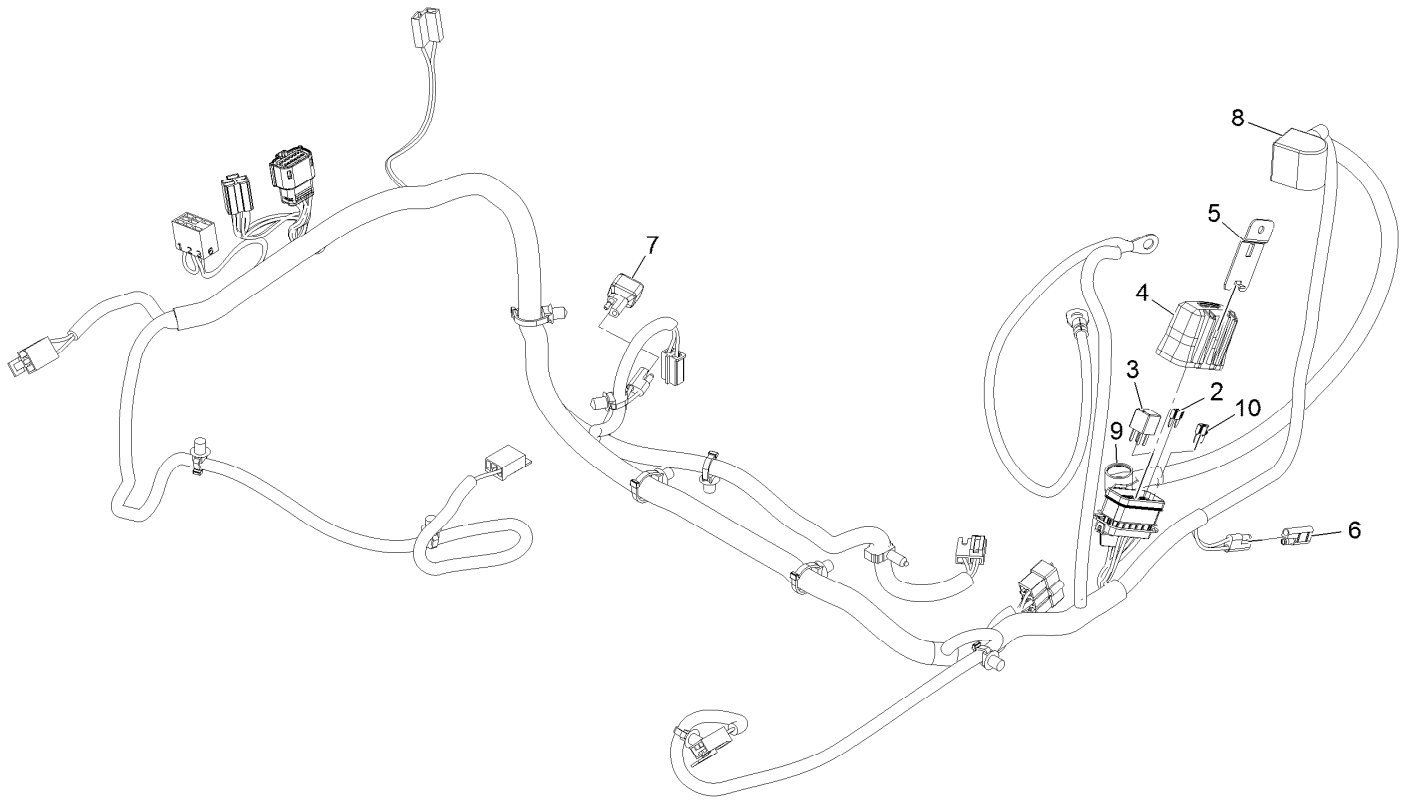
<i>Ref.</i>	<i>Part Number</i>	<i>Qty.</i>	<i>Description</i>	<i>Ref.</i>	<i>Part Number</i>	<i>Qty.</i>	<i>Description</i>
1	1-603511	1	Key-Ignition	12	126-6499	1	Port-Power, 12V
1	103-2106	1	Key-Exmark Logo	13	126-6725-03	1	Tray-Battery
2	103-5221	1	Switch-PTO	14	32128-33	2	Nut-Whizlock 1/4-20
3	104-8300	2	Nut-Nyloc 5/16-18 Flg	15	321-4	2	Screw-HH 1/4-20 X 3/4
4	105-6849	1	Screw-Tph #10-24 X 1/2 Tf	20	3256-22	2	Washer-1/4 Sae
5	110-6765	1	Switch	23	82-2190	2	Switch
6	116-5609	1	Module ASM	24		1	Battery (300 Cca, Wet) ●■
8	117-2221	1	Switch-Ignition	25	126-7627	1	Strap-Bungee
10	126-5803	1	Harness-Wire ▲				
11	126-6267	2	Screw-Truss HD 5/16-18 X 2 3/4 Torx Plus				

● Obtain locally.

■ Not serviced separately

▲ Use dielectric grease on all unsealed connectors and terminals only. Do not apply in sealed connectors.

Harness Assembly



Harness Assembly (continued)

<i>Ref.</i>	<i>Part Number</i>	<i>Qty.</i>	<i>Description</i>	<i>Ref.</i>	<i>Part Number</i>	<i>Qty.</i>	<i>Description</i>
2	121-8868	1	Fuse-Mini Blade, 20 Amp	7	103-3895	1	Diode
3	126-3991	1	Relay-Micro	8	126-8876	1	Insulator-Battery
4	32180-176	1	Cover-Block, Fuse	9	1-543393	1	Insulator-Solenoid
5	32180-177	1	Clip-Mounting	10	121-8867	1	Fuse-Mini Blade, 15 Amp
6	116-0053	1	Cap-Plug				

Notes:



MAXIMIZE THE PERFORMANCE OF YOUR EXMARK MACHINE.



EXMARK® PREMIUM ENGINE OIL

Exmark now offers a family of engine oil viscosities to perform well in any environment. Each viscosity has the same synthetic formulation to give you what you need in punishing conditions. We designed each grade to the highest quality, making it ideal even for diesel applications. Coupled with Exmark Premium Fuel Treatment, we have the performance products to make your machine hum.

EXMARK PREMIUM ENGINE OIL SAE 30/10W-30

- Meets zero shear requirements of a straight grade SAE 30 as well as the cold temp properties of a 10W-30.
- Most versatile oil in the industry.
- Superior corrosion protection over conventional oil - even in corrosive, humid environments.

EXMARK PREMIUM ENGINE OIL SAE 20W-50

- Perfect for your big block engine, or any application in severe service.
- Same full synthetic formulation as all other Exmark Premium viscosities.
- Also effective for use in severe service small block engines.

EXMARK PREMIUM ENGINE OIL SAE 10W-50

- Full synthetic formulation gives you peak performance. Don't settle for less.
- Wide span multi-grade combines easy starting in cold weather with maximum protection in high temperature operation.
- Reduce friction & wear over standard mineral formulations.

EXMARK PREMIUM ENGINE OIL SAE 0W-40

- The perfect choice for when the weather turns cold or unpredictable, and your Exmark UTV has to perform.
- Commercial quality for severe service.
- Advanced additive package helps prevent corrosion from long-term storage.

EXMARK PREMIUM ENGINE OIL UTV FORMULATION

- 4-cycle high-temp formulation.
- Heavier viscosity, full synthetic, perfect for your UTV.

EXMARK PREMIUM UTV EXTREME CONDITIONS GEAR OIL

- SAE 80W-90, designed to keep your UTV performing at its peak.
- Shear stable, hypoid gear lube.
- Includes a premium additive system to combat wear, oxidation, rust & corrosion.

Available from your local Exmark dealer. Find your closest dealer at exmark.com

EXMARK ACCESSORIES AND OPTIONS*

MID-MOUNT RIDING ACCESSORIES AND OPTIONS

CUSTOM RIDE SEAT SUSPENSION SYSTEM	OPERATOR CONTROLLED DISCHARGE
FULL SUSPENSION SEAT	SUN SHADE
DECK LIFT ASSIST KIT	TRASH CONTAINER
HITCH KIT	TURF STRIPER
LIGHT KIT	ULTRA VAC COLLECTION SYSTEM
12V POWER PORT	ULTRA VAC QUICK DISPOSAL SYSTEM
MICRO-MULCH SYSTEM	

OUT-FRONT RIDING ACCESSORIES AND OPTIONS

CUSTOM RIDE SEAT SUSPENSION SYSTEM	SNOW BLADE
DUAL-TAIL WHEEL	SNOWBLOWER
FLOOR PAN EXTENDER	SUN SHADE
HITCH KIT	TRASH CONTAINER
LIGHT KIT	ULTRA VAC COLLECTION SYSTEM
MICRO-MULCH SYSTEM	ULTRA VAC QUICK DISPOSAL SYSTEM
ROLL OVER PROTECTION SYSTEM (ROPS)	WEATHER CAB

WALK-BEHIND ACCESSORIES AND OPTIONS

GRASS CATCHER	TURF STRIPER
MICRO-MULCH SYSTEM	STANDON

*Some accessories and options not available for some models.

Place Model No. and Serial No.
Label Here (Included in the Literature
Pack) or Fill in Below

Model No. _____

Serial No. _____

Date Purchased _____

Engine Model No. and Spec. No. _____

Engine Serial No. (E/No) _____

© 2016 Exmark Mfg. Co., Inc.
Industrial Park Box 808
Beatrice, NE 68310
All Rights Reserved

Part No. 4503-146 Rev. A
(402) 223-6375
Fax (402) 223-5489
Printed in the USA.

