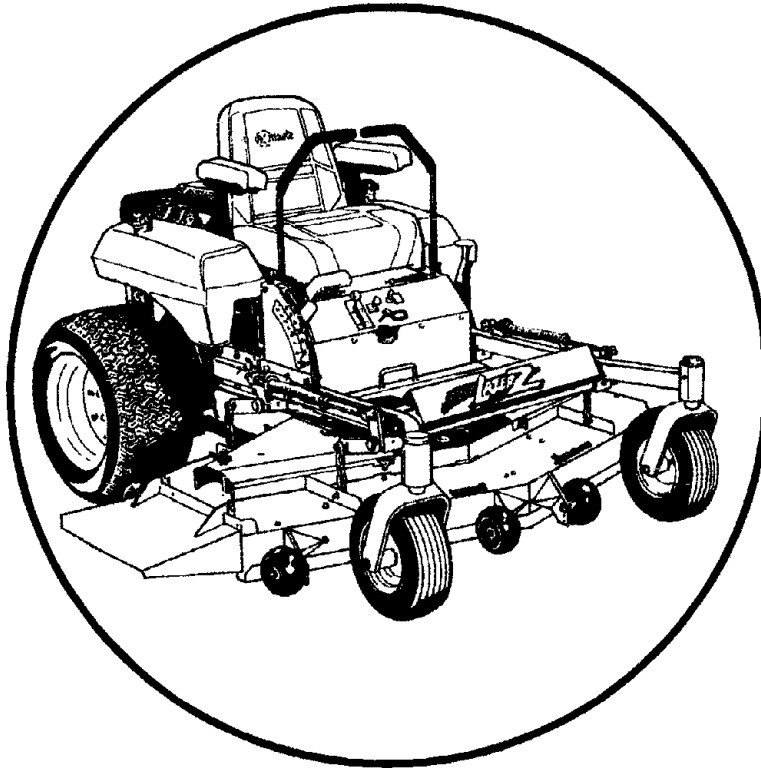




For Serial Nos.
130,000 and Higher

LAZER Z



Parts Manual

CONGRATULATIONS on the purchase of your new Exmark mower. This product has been carefully designed and manufactured to give you a maximum amount of dependability and years of trouble-free operation.

If additional information is needed, or should you require trained mechanic service, contact your authorized Exmark equipment dealer or distributor.

If you need to order replacement parts from your dealer, always give the model number and serial number of your mower as well as the part number, description and quantity of the part needed.

The Serial No. plate is located on the right hand side of the console.

For ease of ordering and reference, we suggest that you record the information requested in the following identification table.

Model No. _____

Serial No. _____

Date Purchased _____

Purchased From _____

Paste Label From
Literature Packet Here



EXMARK PARTS PLUS® PROGRAM

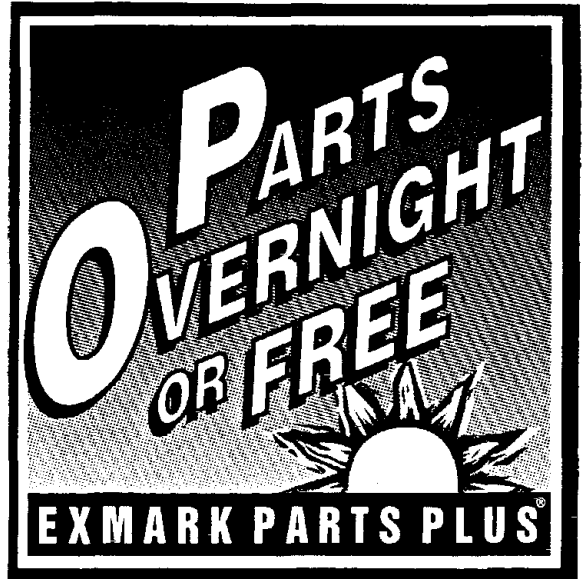
EFFECTIVE DATE: September 1, 1995

Program

If your Exmark dealer does not have the Exmark part in stock, Exmark will get the parts to the dealer the next business day or the part will be FREE* Guaranteed!!

How the Program Works

1. If dealer does not have part in stock for a "down" unit at the time of request by customer, the dealer contacts his distributor by 1:00 p.m., local time, and requests Exmark Parts Plus® shipment of six (6) line items or less.
2. Distributor ships part(s) to dealer or customer, as requested by dealer, same day, overnight UPS. Distributor bills dealer for part and freight charges where applicable.
3. If distributor does not have the part(s) in stock to satisfy Exmark Parts Plus® order, he contacts Exmark by 3:00 p.m., central time, with an Exmark Parts Plus® order of six (6) line items or less.
4. If order is received by 3:00 p.m. central time, Exmark ships part(s) direct to dealer or customer, as requested by distributor, same day, overnight UPS. Exmark bills the distributor for parts and shipping charges, where applicable.
5. The customer pays for the part and freight if it is shipped under the Exmark Parts Plus® and if it arrive in accordance to the program.
6. Who pays for the part and freight if it fails to arrive overnight in accordance to the program?
 - A. Under any circumstance the customer does not pay.
 - B. If the part does not arrive overnight due to:
 1. The dealer not submitting the Exmark Parts Plus® order to his Exmark distributor by 1:00 p.m., the dealer pays for the part and freight.
 2. The Distributor being unable to ship the part the same day or not submitting the Exmark Parts Plus® order to Exmark by 3:00 p.m., central time, the Distributor pays for the part and freight.
 3. Exmark being unable to ship the part and the Exmark parts order is received by 3:00 p.m., central time, Exmark pays for the part and freight.
 4. If the part does not arrive overnight due to the shipper (UPS), the shipper pays for the freight and Exmark pays for the part.



The following restrictions apply -- The Exmark Parts Plus® Program is available only through participating Exmark Dealers and applies only to orders submitted on this program Monday through Thursday. UPS has initiated a Saturday delivery program to many areas of the continental United States and can be requested for an overnight shipment on Friday to be delivered Saturday. The next day air charge, plus the Saturday delivery fee will be the responsibility of the purchaser. Exmark Mfg. will assume no responsibility for Saturday delivery shipments. To qualify, all Exmark Parts Plus® orders must be received by Exmark by 3:00 p.m., central time. Orders must be six (6) line items or less. Exclusions from the Exmark Parts Plus® Program are: Any wholegood or accessory in its entirety, engines and engine replacement parts, 5-speed Peerless transmissions and 5-speed transaxles, hydraulic or hydrostatic wheel motors, cutter decks and engine decks or any item exceeding United Parcel Service size and weight restrictions.

Due to UPS restrictions, aerosol spray paint is considered a hazardous material and cannot be shipped via UPS next day or Second Day Air.

Exmark Manufacturing stocks a limited supply of parts for transaxles, pumps and wheel motors. These parts can be ordered for Next Day Air shipment but will not be guaranteed per the Parts Plus Program.



**READ OPERATOR'S MANUAL BEFORE
OPERATING OR SERVICING EXMARK EQUIPMENT.**

TABLE OF CONTENTS

<u>Description</u>	<u>Page</u>
Decal Group	20
Electrical Diagram	22
Electrical Group	21
Engine Deck Group	17-19
Front Frame Group	7- 8
Fuel Group	10
Hydraulics Group	15-16
Main Frame Group	9
Motion Control Levers	13-14
Park Brake Group	11-12
Parts Plus Program	1
52" Deck Group	3-4
60" Deck Group	5-6

52" DECK GROUP

Ref. No.	Part No.	Description	Qty. Req'd.	Ref. No.	Part No.	Description	Qty. Req'd.
1	632527	Deck wldmt, 52".....	1	42	633447	Chain.....	4
	634536	Deck wldmt, 52" w/decals.....	1	43	800811	Screw, 7/16-14 x 1-1/2.....	8
2	805259	Washer, 3/8 SAE.....	3	44	800271	Screw, 5/16-18 x 3/4.....	2
3	303542	O-ring.....	3	45+	403087	Sheave, blade drive 6.75 OD..	1
4	513208	Washer, disc spring.....	6	46+	633010	Pulley, split sheave 6.30 OD..	1
5	303334	Washer, 5/16 disc spring.....	1	47◇	803046	Setscrew, 5/16-18 x 1sqhdcp..	1
6	809001	Nut, 5/16-18 whizloc.....	14	48◇	803022	Setscrew, 5/16-18x5/8sqhdcp	2
7	602913	Baffle wldmt, discharge.....	1	49	807264	Key, 1/4 sq x 2 5/8.....	1
8	800270	Screw, 5/16-18 x 5/8.....	3	50	633012	Jackshaft, deck drive.....	1
9	603299	Roller, antiscalp.....	6	51	634494	Cutter housing complete.....	3
10	809007	Nut, 3/8-16 whizlock.....	13	52	800300	Screw, 3/8-16 x 3.....	1
11	373034	Washer, pivot.....	7	53	633014	Bracket, jackshaft.....	1
12	603602	Bushing, roller.....	6	54	807503	Bolt, 5/16-18 x 3/4 Carr.....	6
13	303327	Washer, 3/8 disc spring.....	9	55	513013	Housing, flange.....	4
14	800807	Screw, 3/8-16 x 4 gr8.....	6	56	513012	Bearing w/lock collar & ss.....	2
15	602571	Chute, discharge 52".....	1	57	809035	Bolt, taptite 3/8-16 x 1.....	18
16	800273	Screw, 5/16-18 x 1.....	3	58	807507	Bolt, 3/8-16 x 1 carr.....	4
17	804256	Nut, 5/16-18 nyloc.....	2	59	632197	Strut wldmt, deck Lh.....	1
18	633357	Shield, belt 52".....	2	60	632288	Strut wldmt, deck Rh.....	1
19	323385	Knob, belt shield.....	6	61	633029	Spherical rod end.....	2
20	322110	Belt guide wldmt.....	1	62◇	803050	Setscrew, 5/16-18 x .75sqhd..	1
21	800340	Screw, 5/8-11 x 1.....	3	63	800343	Screw, 5/8-11 x 5.....	2
22	800297	Screw, 3/8-16 x 2 1/4.....	2	64	805010	Lockwasher, 5/8 reg. spring....	2
23	303537	Stud, belt shield.....	2	65	811006	Zerk, 1/4-28 straight.....	5
24	805258	Washer 5/16 std flat.....	4	66	632199	Pin wldmt, deck strut.....	2
25	323417	Washer, rubber.....	2	67	804510	Nut, 5/8-18 hex.....	5
26	633151	Spring, extension.....	1	68	807006	Key, # 61 Woodruff.....	3
27	632119	Arm wldmt, deck idler.....	1	69	633011	Pulley, cast iron 6.30 O.D.....	3
28	513034	Bearing, pivot.....	2	70	303543	Bearing.....	6
29	634244	Arm wldmt/brg sub-assy.....	1	71	413314	Housing, bearing.....	3
30	603044	Bushing, idler pivot.....	1	72	513188	Spacer, bearing.....	3
31	811008	Zerk, 1/4-20 90°.....	1	73	513193	Seal, mech.dust.....	3
32	805260	Washer, 3/8 std flat.....	1	74	808506	Snap Ring.....	3
33	804257	Nut, 3/8-16 nylock.....	1	75	613106	Spindle.....	3
34	800299	Screw, 3/8-16 x 2 3/4.....	1	76	633482	Blade, 18.0" std 5/8 hole.....	3
35	633109	Idler pulley 6.00 dia flat.....	2		633485	Blade, low lift 5/8 hole.....	3
36	803016	Bolt, 3/8-16 x 1 whizlock.....	1	+	633484	Blade, mulching 5/8 hole.....	3
37	633456	Bushing, idler.....	2	77	634546	Jackshaft S/A.....	1
38	804522	Nut, 5/8-11 hex.....	2				
39	809073	Nut, 7/16-14 whizlock.....	16				
40	603805	Idler pulley 5.06 O.D V.....	1				
41	633366	Belt, blade drive 52" Deck.....	1				

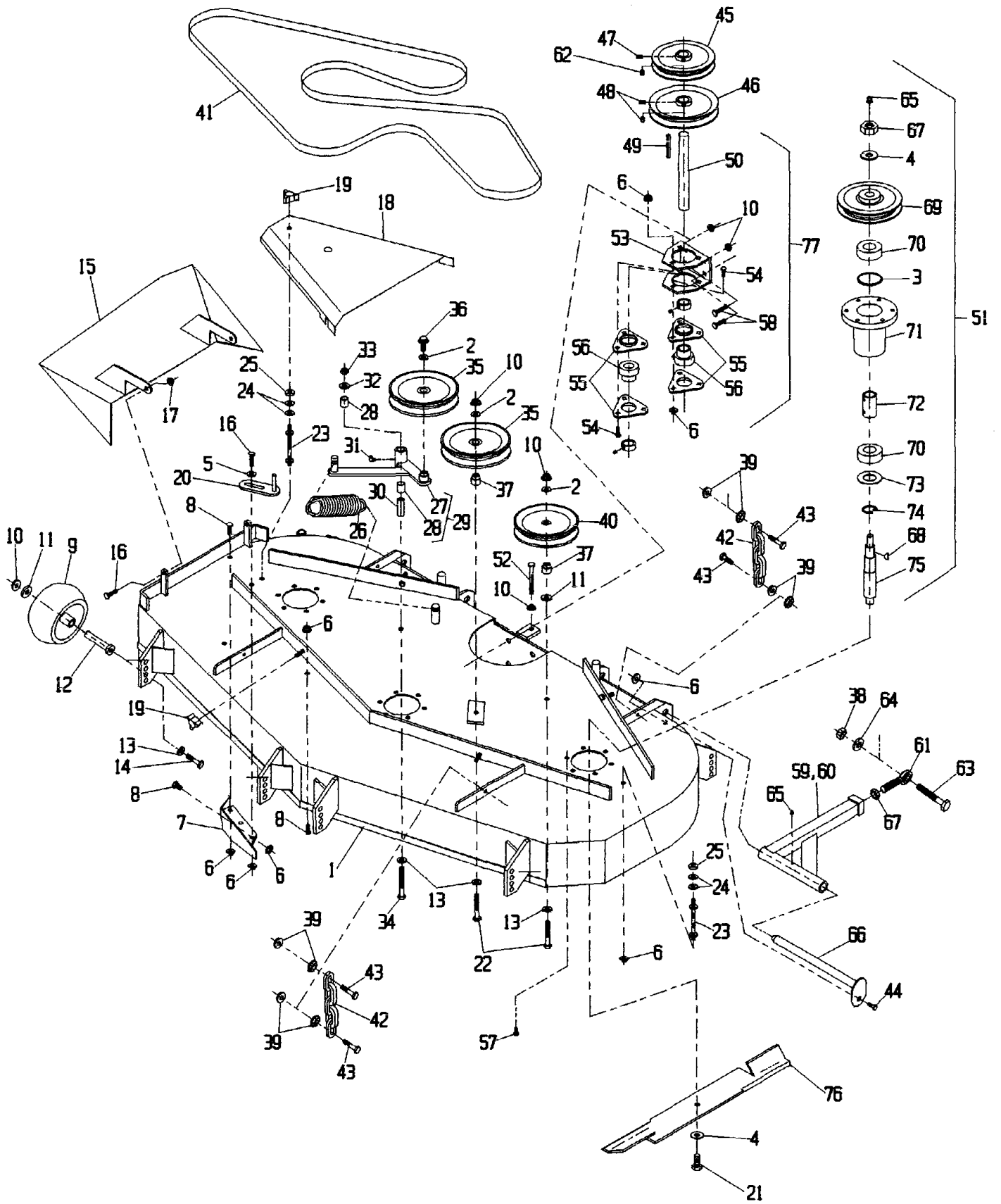
+ Requires installation of Micro-Mulch accessory for proper mulching. Mulch kit P/N MK523

+ Use antiseize on bore of pulleys.

◇ Use Pro-lock Nut Type (P/N 840022 .5 ml. tube) on setscrews.

Exmark red touch up spray paint - P/N 850337

52" DECK GROUP



60" DECK GROUP

Ref. No.	Part No.	Description	Qty. Req'd.	Ref. No.	Part No.	Description	Qty. Req'd.
1	632525	Deck wldmt, 60	1	42	633447	Chain	4
	634535	Deck wldmt, 60 w/decals	1	43	800811	Screw, 7/16-14 x 1-1/2	8
2	303542	O-ring	3	44	800271	Screw, 5/16-18 x 3/4	2
3	805259	Washer, 3/8 SAE	3	45+	303498	Sheave, blade drive 6.13 OD. 1	
4	513208	Washer, disc Spring	6	46+	633010	Pulley, split sheave 6.30 OD .. 1	
5	303334	Washer, 5/16 disc spring	1	47◇	803046	Setscrew, 5/16-18 x 1sqhdcp. 1	
6	809001	Nut, 5/16-18 whizlock	14	48◇	803022	Setscrew, 5/16-18x5/8sqhdcp 2	
7	602913	Baffle wldmt, discharge	1	49	807264	Key, 1/4 sq x 2 5/8	1
8	800270	Screw, 5/16-18 x 5/8	3	50	633012	Jackshaft, deck drive	1
9	603299	Roller, antiscalp	6	51	804522	Nut, 5/8-11 hex	2
10	809007	Nut, 3/8-16 whizlock	13	52	800300	Screw, 3/8-16 x 3	1
11	373034	Washer, pivot	7	53	633014	Bracket, jackshaft	1
12	603602	Bushing, roller	6	54	807503	Bolt, 5/16-18 x 3/4 Carr. 6	
13	303327	Washer, 3/8 disc spring	9	55	513013	Housing, flange	4
14	800807	Screw, 3/8-16 x 4 gr8	6	56	513012	Bearing w/lock collar & ss	2
15	542606	Chute, discharge 60"	1	57	634494	Cutter housing complete	3
16	800273	Screw, 5/16-18 x 1	3	58	807507	Bolt, 3/8-16 x 1 carr	4
17	804256	Nut, 5/16-18 nylock	2	59	632197	Strut wldmt, deck Lh	1
18	633084	Shield, belt 60"	2	60	632288	Strut wldmt, deck Rh	1
19	323385	Knob, belt shield	6	61	633029	Spherical rod end	2
20	322110	Belt guide wldmt	1	62◇	803050	Setscrew, 5/16 x 3/4sqhdcp ... 3	
21	800340	Screw, 5/8-11 x 1	3	63	800343	Screw, 5/8-11 x 5	2
22	800297	Screw, 3/8-16 x 2 1/4	2	64	805010	Lockwasher, 5/8 reg.spring ... 2	
23	303537	Stud, belt shield	2	65	811006	Zerk, 1/4-28 straight	5
24	805258	Washer 5/16 std flat	4	66	632199	Pin wldmt, deck strut	2
25	323417	Washer, rubber	2	67	804510	Nut, 5/8-18 hex	5
26	633151	Spring, extension	1	68	807006	Key, # 61 Woodruff	3
27	632119	Arm wldmt, deck idler	1	69	633011	Pulley, cast iron 6.30 O.D. 3	
28	513034	Bearing, pivot	2	70	303543	Bearing	6
29	634244	Arm wldmt/brg sub-assy	1	71	413314	Housing, bearing	3
30	603044	Bushing, idler pivot	1	72	513188	Spacer, bearing	3
31	811008	Zerk, 1/4-20 90°	1	73	513193	Seal, mech.dust	3
32	805260	Washer, 3/8 std flat	1	74	808506	Snap Ring	3
33	804257	Nut, 3/8-16 nylock	1	75	613106	Spindle	3
34	800299	Screw, 3/8-16 x 2 3/4	1	76	633483	Blade, 20.5" std. 5/8 hole	3
35	633109	Idler pulley 6.00 dia flat	2		613111	Blade, low lift 5/8 hole	3
36	803016	Bolt, 3/8-16 x 1 whizlock	1	+	613112	Blade, mulching 5/8 hole	3
37	633456	Bushing, Idler	2	77	634546	Jackshaft S/A	1
38	809035	Bolt, taptite 3/8-16 x 1	18				
39	809073	Nut, 7/16-14 whizlock	16				
40	603805	Idler pulley 5.06 O.D. V	1				
41	633127	Belt, blade drive 60" deck	1				

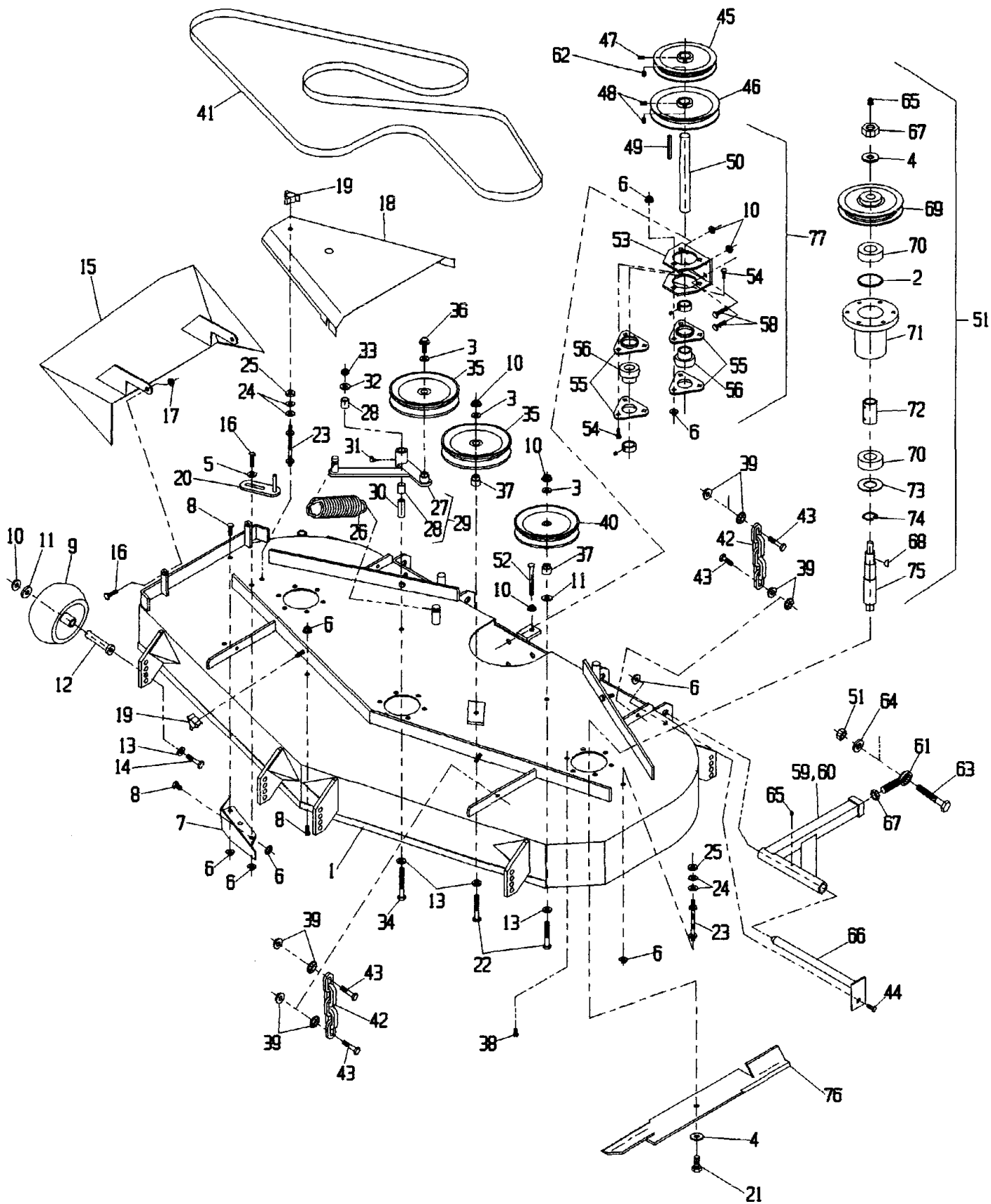
+ Requires installation of Micro-Mulch accessory for proper mulching. Mulch kit P/N MK603

+ Use antiseize on bore of pulleys.

◇ Use Pro-lock Nut Type (P/N 840022 .5 ml. tube) on setscrews.

Exmark red touch up spray paint - P/N 850337

60" DECK GROUP

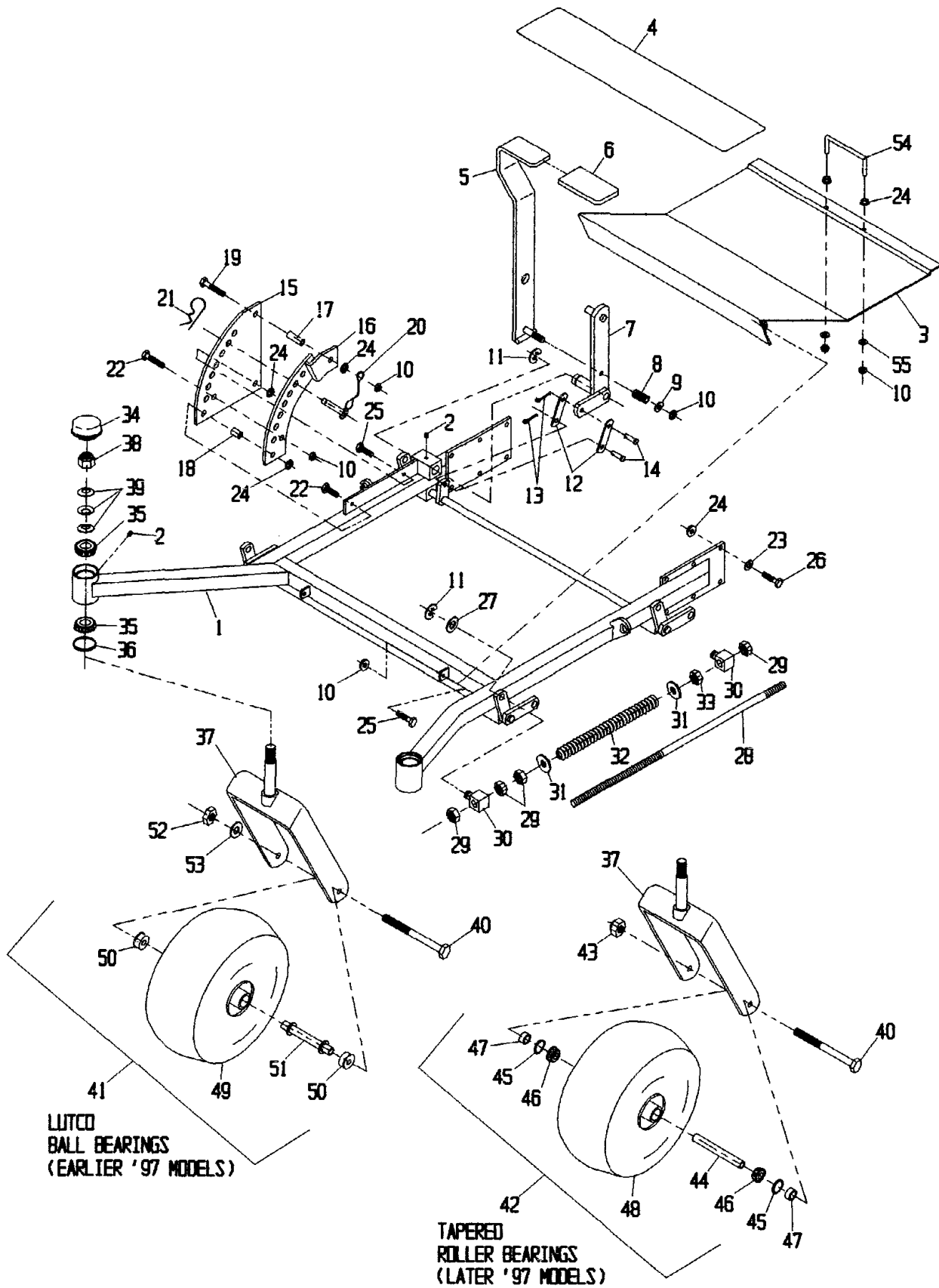


FRONT FRAME GROUP

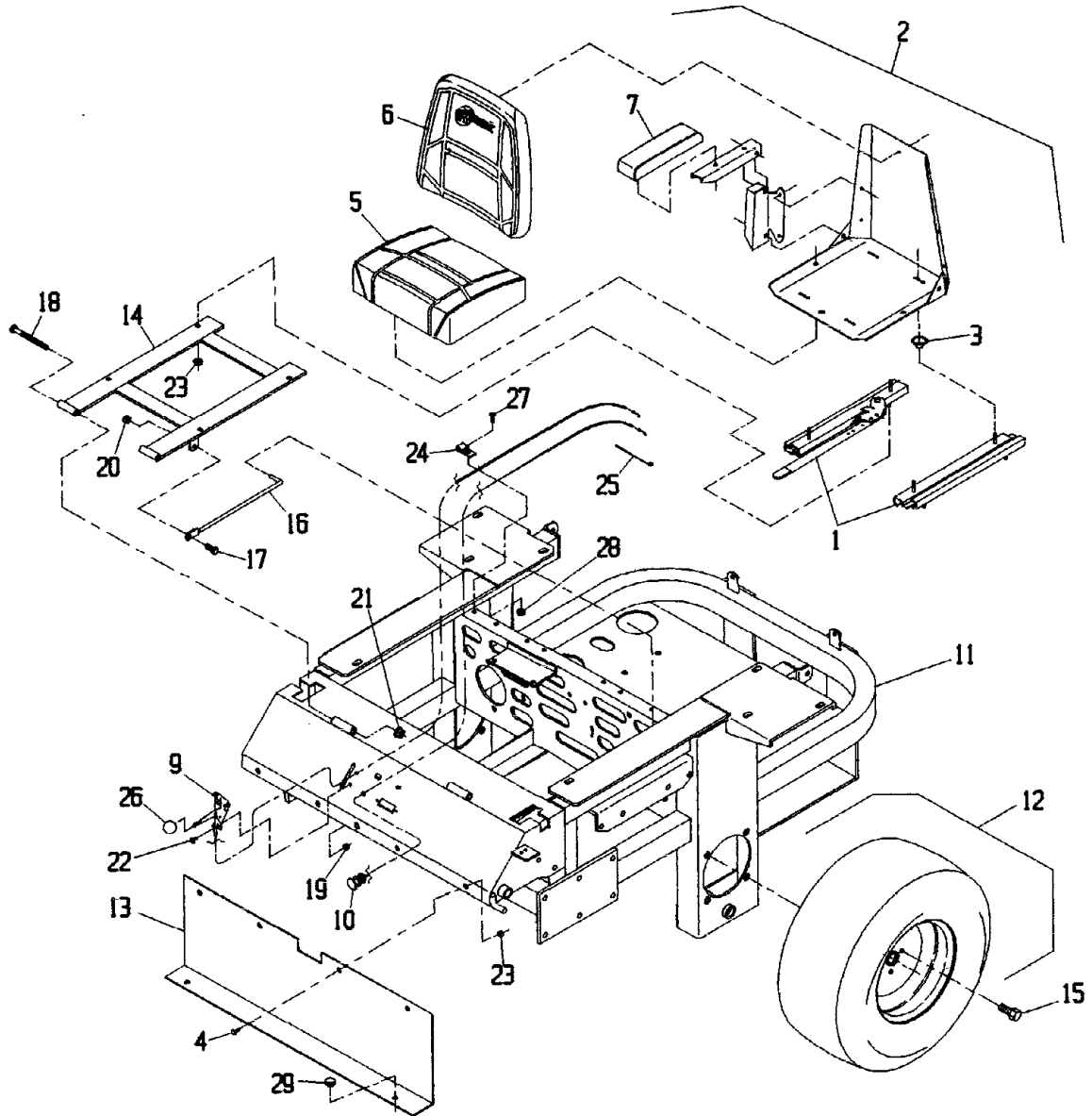
Ref. No.	Part No.	Description	Qty. Req'd.	Ref. No.	Part No.	Description	Qty. Req'd.
1	632518	Frame wldmt, front 52"	1	31	805268	Washer, 5/8 std flat.....	4
	632513	Frame wldmt, front 60".....	1	32	633064	Spring, deck support.....	2
2	811006	Zerk, 1/4-28 straight	7	33	804755	Jam nut, 5/8-11	2
3	633556	Floorpan	1	34	543513	Cap, grease	2
4	633553	Pad, anti skid.....	3	35	543509	Bearing cone, tapered roller....	4
5	632324	Lever wldmt, lift.....	1		543508	Bearing cup, tapered roller.....	4
6	633295	Grip, lift lever	1	36	543511	Seal, grease.....	2
7	632219	Arm wldmt, deck lift	1	37	632511	Caster wldmt.....	2
8	633325	Spring, compression.....	1	38	804266	Nut, 3/4-10 nylock.....	2
9	805260	Washer, 3/8 std flat.....	1	39	633508	Washer, spring disk.....	6
10	804257	Nut, nylock 3/8-16.....	7	40	800339	Screw, 1/2-13 x 7 1/2	2
11	808505	E-ring.....	5	41	632250	Caster wheel assy.....	2
12	633068	Arm, deck lift.....	2	42	632586	Caster wheel assy.....	2
13	806761	Cotter pin, 1/8 x 3/4	2	43	804259	Nut, 1/2-13 nylock.....	2
14	808284	Clevis pin, 3/8 x 1	2	44	633579	Spacer, front caster.....	2
15	633072	Plate, deck lift	1	45	633580	Seal, bearing.....	4
16	632195	Plate wldmt, deck lift.....	1	46	633585	Bearing cone.....	4
17	633082	Bushing, lift lever	1	47	633581	Spacer, bearing.....	4
18	633080	Bushing, lift lever	1	48	633582	Wheel & tire assy.....	2
19	800299	Screw, 3/8-16 x 2 3/4.....	1		633002	Tire, 13 x 5.0-6 4 ply.....	2
20	633097	Hitch pin w/lanyard	1		633583	Wheel.....	2
21	806005	Hairpin cotter (serv only)	1		633584	Bearing cup.....	2
22	800295	Screw, 3/8-16 x 1 3/4.....	2	49	633001	Wheel & tire assy..	2
23	303327	Washer, 3/8 disc spring.....	12		633002	Tire, 13 x 5.0-6 4 ply..	2
24	809007	Nut, whizlock 3/8-16	17		633003	Wheel.....	2
25	800292	Screw, 3/8-16 x 1.....	3	50	513009	Bearing , wheel..	4
26	800293	Screw, 3/8-16X1 1/4	12	51	632050	Spacer wldmt, wheel.....	2
27	805271	Washer, 7/8 SAE flat.....	4	52	804509	Nut, 1/2-13 reg hex..	2
28	633096	Rod, deck lift.....	2	53	805008	Washer, 1/2 reg spring.....	2
29	804522	Nut, 5/8-11 regular.....	8	54	633587	Handle.....	1
30	633441	Swivel, deck mount.....	4	55	805259	Washer, 3/8 SAE flat.....	2

Exmark red touch up spray paint - P/N 850337

FRONT FRAME GROUP



MAIN FRAME GROUP

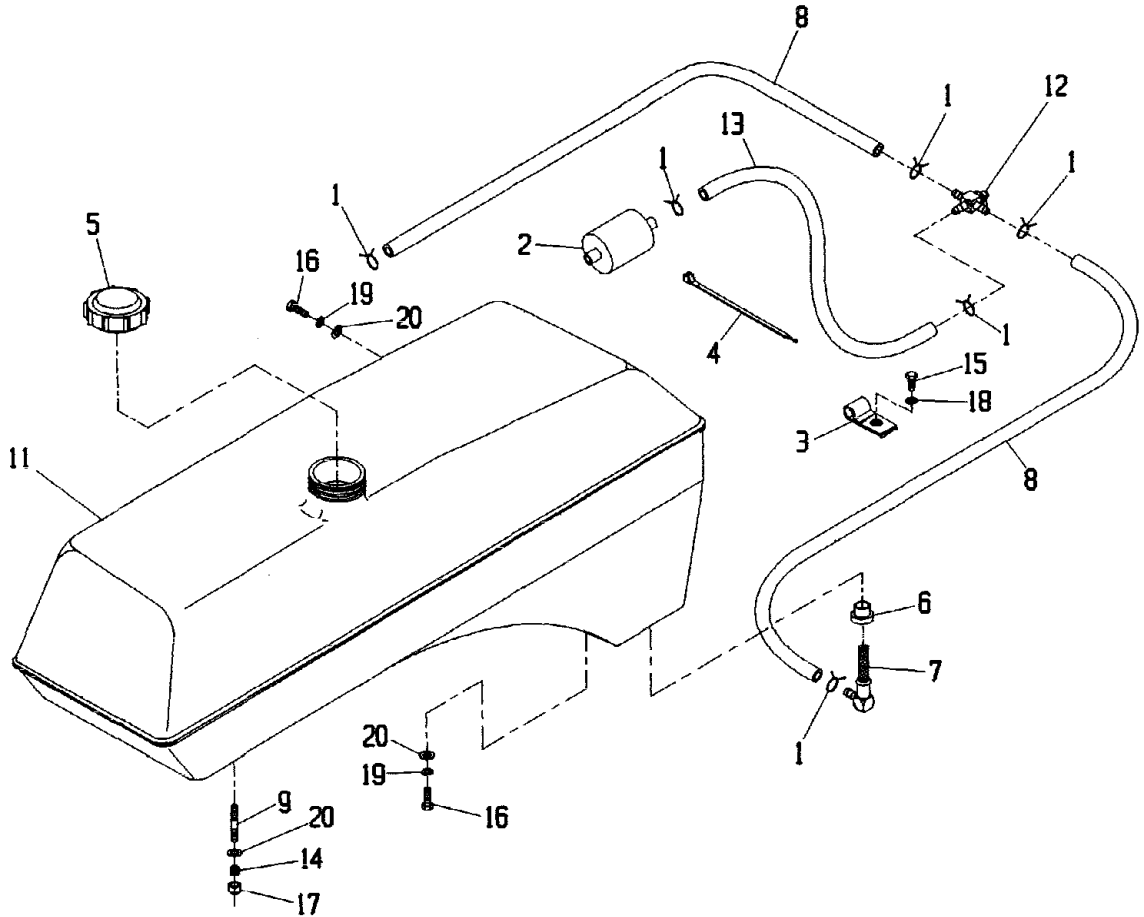


Ref. No.	Part No.	Description	Qty. Req'd.	Ref. No.	Part No.	Description	Qty. Req'd.
1	523428	Track, seat (4" adjustable).....	1	15	633273	Bolt, wheel 1/2-20 x 7/8.....	8
2	633461	Seat - Complete W/Armrests..	1	16	633293	Rod, seat hold-up.....	1
3	543401	Spacer, seat track	4	17	800273	Screw, 5/16-18 x 1	1
4	800271	Screw, 5/16-18 x 3/4	4	18	800306	Screw, 3/8-16 x 5	2
5	543407	Cushion, seat.....	1	19	804252	Nut, nylock #10-24	2
6	543408	Cushion, backrest.....	1	20	804256	Nut, nylock 5/16-18	1
7	543409	Cushion, armrest (RH)	1	21	804257	Nut, nylock 3/8-16	2
8*	543411	Cushion armrest (LH).....	1	22	807513	Screw, #10-24 x 1/2	2
9	543697	Cable, throttle	1	23	809001	Nut, whizlock 5/16-18.....	12
10	603336	Cable, choke.....	1	24	513762	Clip, loom (.50).....	1
11	632503	Frame, engine deck.....	1	25	303335	Plastic tie (lrg)	1
12	633007	Wheel/tire assembly	2	26	513592	Ball, (red) throttle cable.....	1
	633008	Tire, 23 x 10.5 - 12 4 ply.....	1	27	800252	Screw, 1/4-20 x 3/4	1
	633009	Wheel	1	28	809012	Nut, whizlock 1/4-20.....	1
13	633105	Front, Console.....	1	29	513658	Bumper.....	2
14	632187	Frame, seat mount.....	1				

* Not Illustrated

Exmark black touch up spray paint - gloss black

FUEL GROUP



Ref. No.	Part No.	Description	Qty. Req'd.	Ref. No.	Part No.	Description	Qty. Req'd.
1	303077	Clamp, fuel line.....	6	11	633297	Tank, fuel (RH).....	1
2	⊠ Kohler Part No. 2405002	Fuel Filter.....	1	12	633347	Valve, fuel.....	1
3	513762	Clip, loom .50.....	1	13	633348	Fuel line.....	1
4	303335	Plastic tie (large).....	1	14	633349	Spring, fuel tank.....	6
5	513508	Cap, fuel tank.....	2	15	800251	Screw, 1/4-20 x 5/8.....	1
6	513645	Bushing.....	2	16	800271	Screw, 5/16-18 x 3/4.....	4
7	543277	Elbow, strainer.....	2	17	804256	Nut, nylock 5/16-18.....	6
8	543456	Fuel line.....	2	18	805004	Washer, lock 1/4.....	1
9	◆ 633023	Stud, fuel tank.....	6	19	805005	Washer, lock 5/16.....	4
10*	633296	Tank, fuel (LH).....	1	20	805256	Washer, 1/4 std.....	10

◆ Use Prolock, Retaining type (Part No. 840023), .5cc tube on stud threads going into the tank.

* Not Illustrated.

⊠ Refer to Engine Owner's Manual (Fuel Filter **Must** be 15 Micron or smaller).

PARK BRAKE GROUP

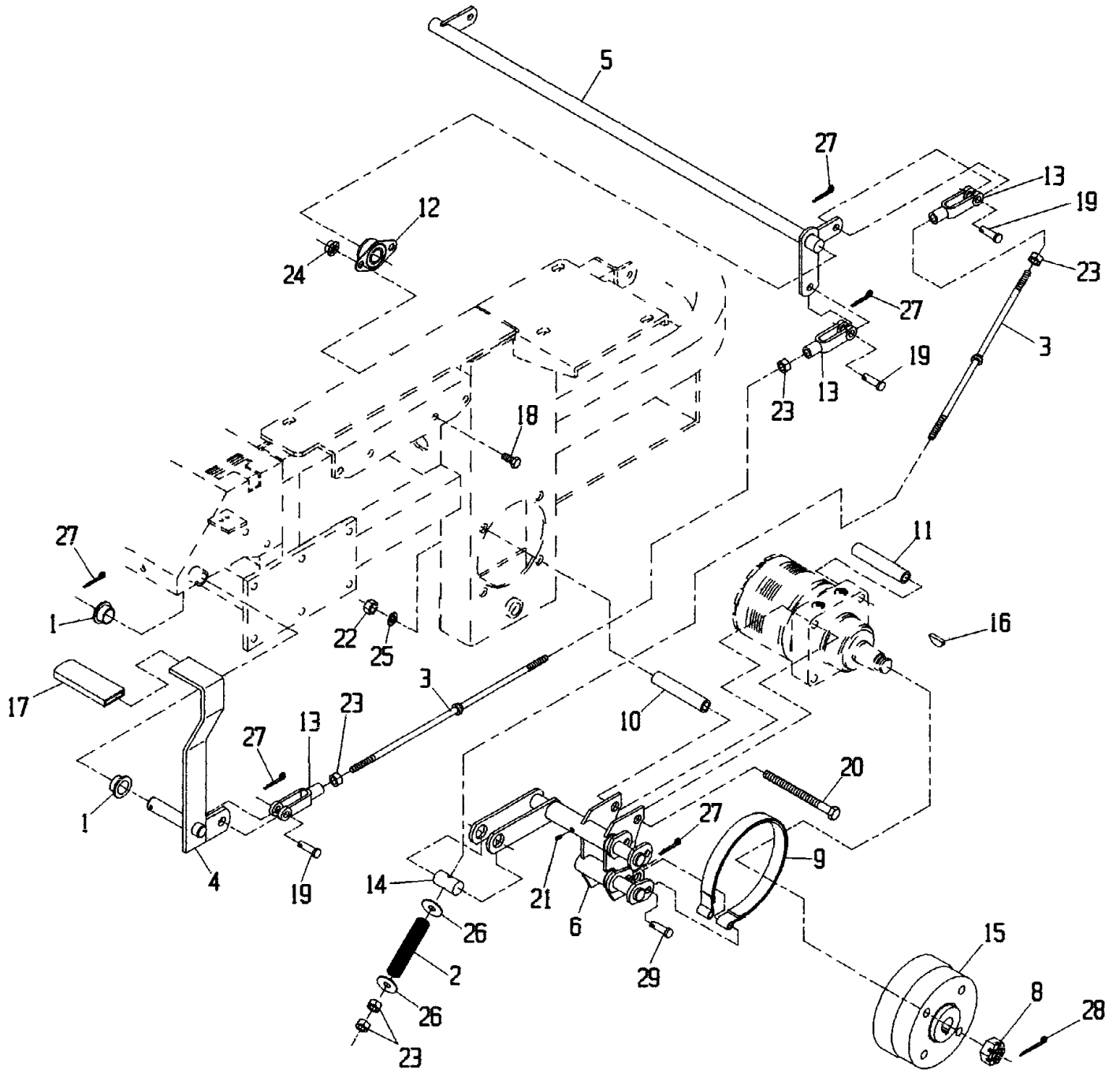
Ref. No.	Part No.	Description	Qty. Req'd.	Ref. No.	Part No.	Description	Qty. Req'd.
1	513140	Bushing	2	14	633144	Pin, trunion	2
2	633454	Spring, brake rod	2	15†	633548	Hub & drum, wheel.....	2
3	633477	Rod, brake	3	16	807020	Woodruff key, 5/16X1	1
4	632489	Lever, brake	1	17	633268	Grip, brake lever	1
5	632217	Shaft, brake	1	18	800290	Screw, 3/8-16 x 3/4	4
6	632230	Bracket, brake (LH) 60" Deck.	1	19	808285	Pin, clevis 3/8 x 1 1/8	4
	632404	Bracket, brake (LH) 52" Deck.	1	20	800334	Screw, 1/2-13 x 6 60" Deck.....	8
7*	632232	Bracket, brake (RH) 60" Deck	1		800347	Screw, 1/2-13 x 4 52" Deck.....	8
	632406	Bracket, brake (RH) 52" Deck	1	21	811008	Zerk, grease	2
8	809036	Nut, castle 1.00-20	2	22	804509	Nut, 1/2-13	8
9	633058	Band, brake	2	23	804525	Nut, 3/8-24	8
10	633060	Spacer (short) 60" Deck	4	24	809007	Nut, whizlock 3/8-16.....	4
	633380	Spacer (short) 52" Deck	4	25	805008	Washer, lock 1/2	8
11	633062	Spacer (long) 60" Deck	4	26	805260	Washer, 3/8 std	4
	633382	Spacer (long) 52" Deck	4	27	806761	Pin, cotter 1/8 x 3/4	9
12	633102	Bearing, flange	2	28	806800	Pin, cotter 9/64 x 1 1/2	2
13	633131	Yoke	4	29	808283	Pin, clevis 3/8 x 2	4

* Not Illustrated

† Use anti-sieze on hub bore.

Exmark black touch up spray paint - gloss black

PARK BRAKE GROUP



MOTION CONTROL LEVERS

Ref. No.	Part No.	Description	Qty. Req'd.	Ref. No.	Part No.	Description	Qty. Req'd.
1	303105	Yoke	2	20	800274	Screw, 5/16-18 x 1 1/4	4
2	303327	Washer, disc spring 3/8	4	21	800290	Screw, 3/8-16 x 3/4	8
3	523027	Dampener	2	22	800292	Screw, 3/8-16 x 1	4
4	543017	Ball joint (RH)	2	23	800295	Screw, 3/8-16 x 1 3/4	6
5	603735	Bushing, nylon (reverse ind.)..	2	24◇	803022	Set screw, 5/16 x 5/8.....	2
6	603737	Bolt, (neutral return).....	2	25	804257	Nut, nylock 3/8-16	6
7	603807	Spring, (neutral return)	2	26	804521	Nut, 5/16-24	10
8◆	809057	Bolt, shoulder 5/16 x 3/4.....	4	27	804524	Nut, 5/16-24 (LH)	2
9	603903	Spacer	4	28	804758	Nut, jam 5/16-24.....	2
10*	632191	Handle, motion control (LH)....	1	29	805256	Washer, 1/4.....	2
11	632193	Handle, motion control (RH)...	1	30	805258	Washer, 5/16 std.....	4
12	632208	Arm, pump control	2	31	805257	Washer, 5/16 SAE.....	4
13	632213	Bracket, motion control (LH)...	1	32	806753	Pin, cotter 3/32 x 1/2	2
14	632215	Bracket, motion control (RH)..	1	33	808280	Pin, clevis 5/16 x 1	2
15	633153	Link, pump control	2	34	809001	Nut, whizlock 5/16-18.....	4
16	633102	Bearing, flanged	4	35	809007	Nut, whizlock 3/8-16.....	8
17	633152	Ball joint (LH).....	2	36	809012	Nut, whizlock 1/4-20.....	4
18	633177	Arm, control shaft	2				
19	633257	Grip, motion control handle	2				

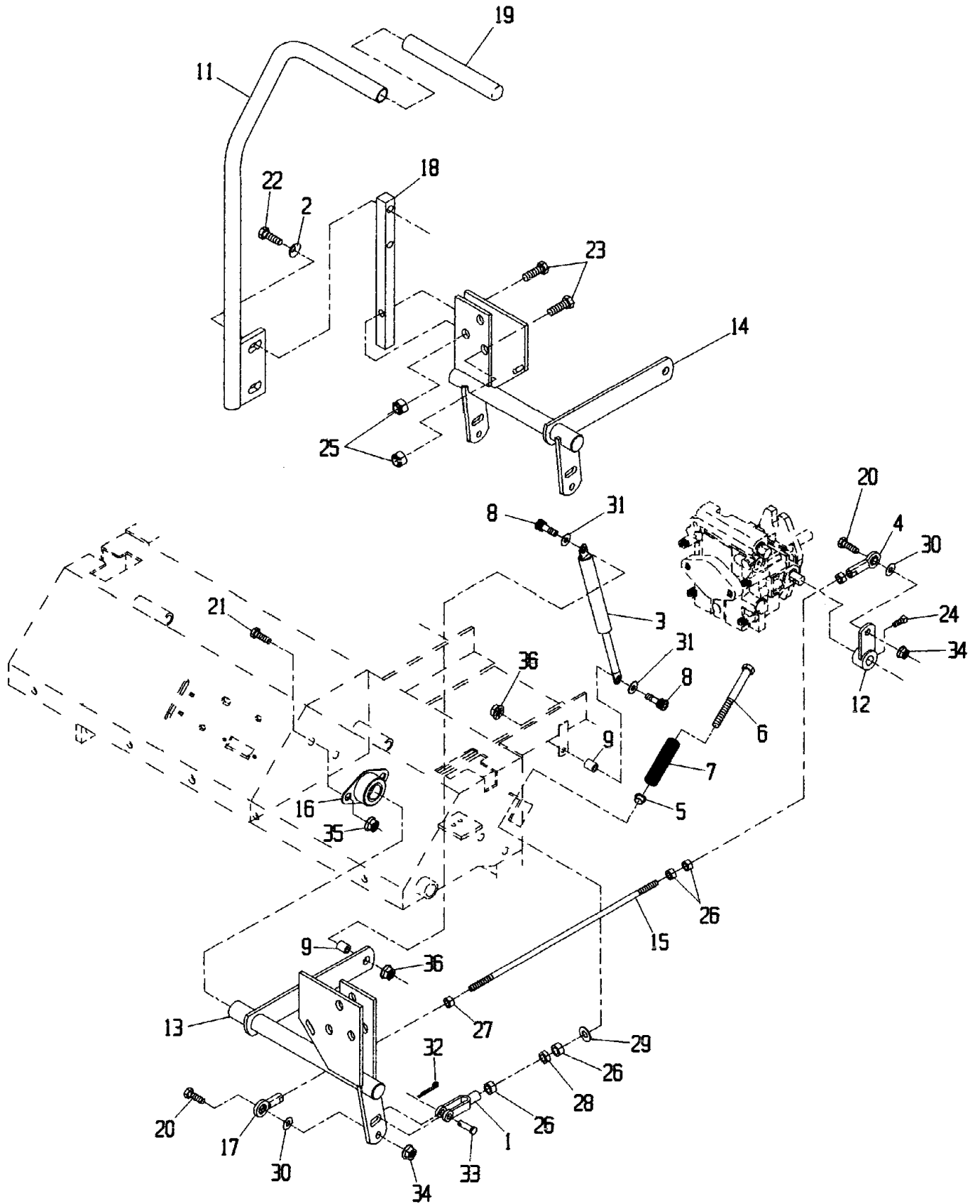
* Not Illustrated.

Exmark black touch up spray paint - gloss black

◇ Use Pro-Lock, Nut Type (P/N 840022, .5ml tube) on setscrews

◆ Use Pro-Lock, Retaining Type (P/N 840023, .5cc tube) on damper mounting shoulder bolts

MOTION CONTROL LEVERS



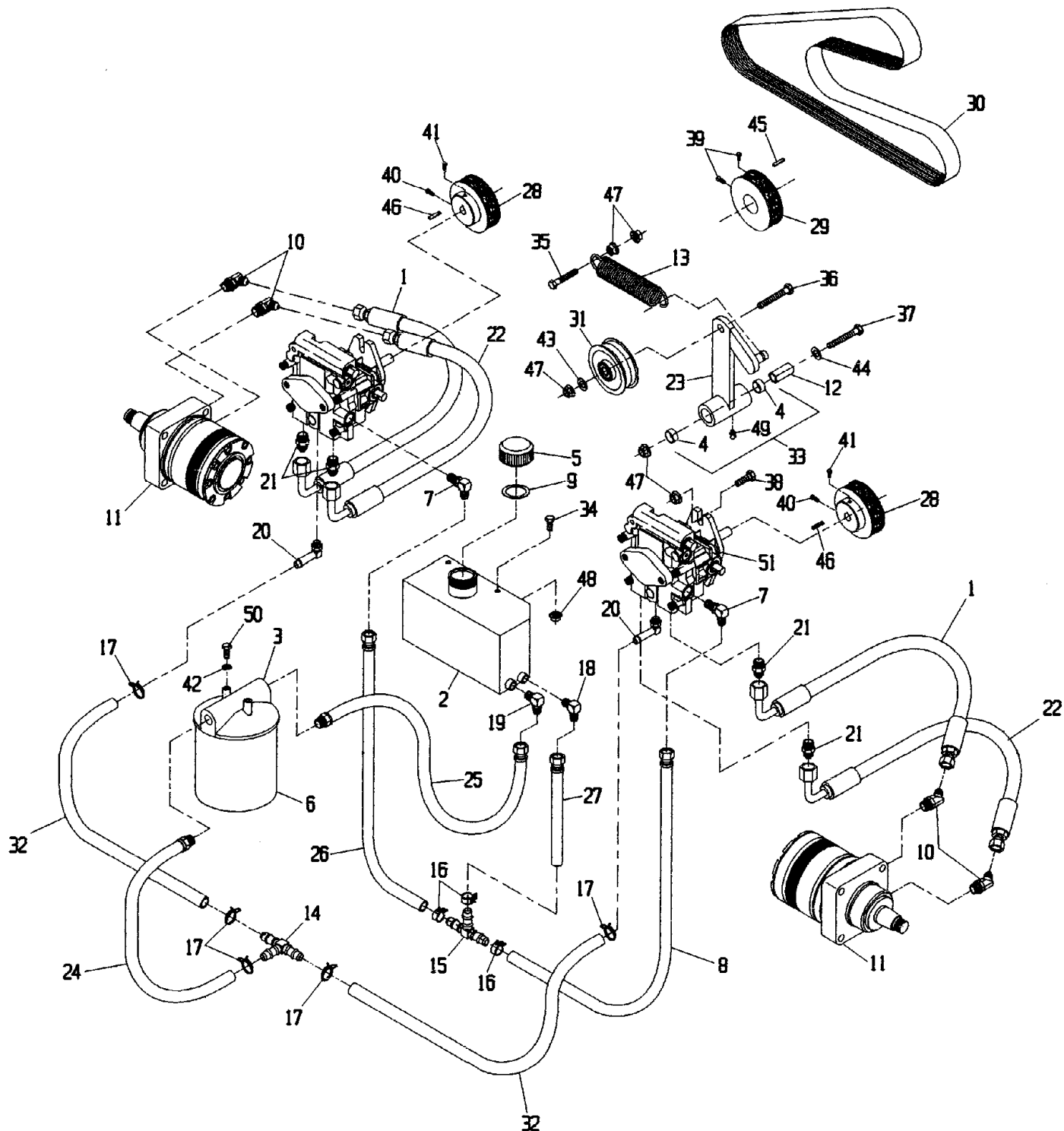
HYDRAULIC GROUP

Ref. No.	Part No.	Description	Qty. Req'd.	Ref. No.	Part No.	Description	Qty. Req'd.
1	403102	Hose, high pressure	2	23	632201	Arm, pump idler	1
2∇	512166	Tank, hydraulic reservoir	1	24	632281	Hose, low pressure (12")	1
3∇	513006	Head, filter	1	25	632282	Hose, low pressure (20 1/2") ..	1
4	513034	Bearing, pivot	2	26	632285	Hose, low pressure (11 1/4") ..	1
5	513167	Cap, hydraulic tank	1	27	632286	Hose, low pressure (4")	1
6	513211	Element, hydraulic oil filter	1	28	633568	Sheave, pump (5 Grooves).....	2
◆	523541	Element, hyd oil filter(winter)...	1		633040	Sheave, pump (8 Grooves)	2
7	513840	Elbow, 90° w/O-ring	2	29	633567	Sheave, engine (5 Grooves)...	1
	603921	O-Ring	1		633044	Sheave, engine (8 Grooves)...	1
8	522217	Hose, low pressure (7")	1	30	633569	Belt, pump drive (5 Ribs)	1
9	523103	Gasket, tank cap	1		633162	Belt, pump drive (8 Ribs)	1
10	523222	Elbow, 45° (w/O-rings)	4	31	633167	Pulley, idler w/bushing	1
	603919	O-Ring (SAE #10)	1	32	633335	Hose, low pressure (14 1/2") ..	2
	603992	O-Ring (37° flare #8)	1	33	634277	Arm, w/bearing	1
11	523328	Motor, wheel drive	2	34	800252	Screw, 1/4-20 x 3/4	2
	000099	Kit, seal	1	35	800294	Screw, 3/8-16 x 1 1/2	1
	000139	Kit, bearing	1	36	800295	Screw, 3/8-16 x 1 3/4	1
12	603384	Bushing, idler pivot	1	37	800805	Screw, 3/8-16 x 3 1/2	1
13	603413	Spring, pump drive idler	1	38	803016	Screw, 3/8-16 x 1 whizlock	4
14	603721	Fitting, tee (3/8" i.d. hose)	1	39◇	803022	Setscrew, 5/16-18 x 5/8	2
15	603722	Fitting, tee (1/4" i.d. hose)	1	40◇	803046	Setscrew, 5/16-18 x 1	2
16	603826	Clamp, hose (1/2")	3	41◇	803050	Setscrew, 5/16-18 x 3/4	2
17	603827	Clamp, hose (5/8")	5	42	805004	Lockwasher, 1/4	2
18	603987	Elbow, 90° 7/16-JIC x 1/4-NPT	1	43	805258	Washer, 5/16 std	1
19	603988	Elbow, 90° 9/16-JIC x 1/4-NPT	1	44	805260	Washer, 3/8 std	1
20	603989	Elbow, 90° (w/O-ring)	2	45	807263	Key, 1/4 x 1/4 x 1 1/4	1
	603923	O-Ring (SAE #4)	1	46	807272	Key, 5mm x 5mm x 25mm	2
21	603990	Connector, strght. (w/O-rings).	4	47	809007	Nut, 3/8-16 whizlock	8
	603920	O-Ring (SAE #8)	1	48	809012	Nut, whizlock 1/4-20	2
	603992	O-Ring (37° flare #8)	1	49	811008	Zerk, 90° 1/4-28	1
22	613034	Hose, high pressure 60"	2	50	800251	Screw, 1/4-20 x 5/8	2
	403102	Hose, high pressure 52"	2	51	603841	Pump, hydro	1
					2513018	Kit, overhaul seal	1

- ◇ Use Pro-Lock, Nut Type (P/N 840022, 5 ml tube) on setscrews.
- ∇ Use Teflon pipe sealant on pipe threads in reservoir & filter head.
Exmark black touch up spray paint - gloss black
- ◆ Use only for operation below 32°F (0°C)

HYDRAULIC GROUP

NOTE:(8) GROOVE SHEAVES & (8) RIB BELT USED ON EARLY '97 MODELS
 (5) GROOVE SHEAVES & (5) RIB BELT USED ON LATER '97 MODELS



ENGINE DECK GROUP

Ref. No.	Part No.	Description	Qty. Req'd.	Ref. No.	Part No.	Description	Qty. Req'd.
1	213069	Spacer, strut adjustment	4	18*	634310	Shield (RH) - subassembly	1
2	303335	Plastic tie.....	1	19	523285	Clip, shield	2
3	523420	Bumper, rubber	2	20*	633303	Baffle, engine (RH)	1
4	543007	Spacer.....	2	21	800032	Bolt, tap 3/8-16 x 3.....	2
5	602974	Cable assembly.....	2	22	800252	Screw, 1/4-20 x 3/4	10
6	603610	Washer, spring disc.....	2	23	800276	Screw, 5/16-18 x 1 3/4.....	1
7	632183	Guard, rear engine	1	24	800292	Screw, 3/8-16 x 1.....	2
8	633082	Bushing	2	25	800819	Screw, 7/16-20 x 2 1/2.....	1
9	633098	Clutch (use with 22 HP)	1	26	803035	Rivet, 3/16 x 1/4.....	9
	634311	Clutch kit (22 HP).....	1	27	804255	Nut, nylock 1/4-20	4
	633099	Clutch (use with 25 HP)	1	28	804257	Nut, nylock 3/8-16	2
	634418	Clutch kit (25 HP).....	1	29	805256	Washer, 1\4 std.....	4
	613184	Clutch (use with 18 HP)	1	30	805258	Washer, 5/16 std.....	1
	634541	Clutch kit (18 HP).....	1	31	809001	Nut, whizlock 5/16-18	1
10	633453	Spacer (use w/ 18&22 HP).....	1	32	809007	Nut, whizlock 3/8-16	4
	633179	Spacer (use with 25 HP).....	1	33	809012	Nut, whizlock 1/4-20	7
11	634308	Shield, lift - subassembly	1	34	633396	Clip, loom .56.....	1
12	633298	Shield, engine	1	35	809076	Screw, M6 x 1.0mm x 45mm ..	2
13	633300	Shield, lift.....	1	36	323235	Washer, disc spring	2
14	634309	Shield (LH) - subassembly	1	37	323236	Spacer.....	2
15	633301	Shield, heat	1				
16	633305	Baffle, engine (LH)	1				
17	633466	Shield, muffler	1				

* Not Illustrated.

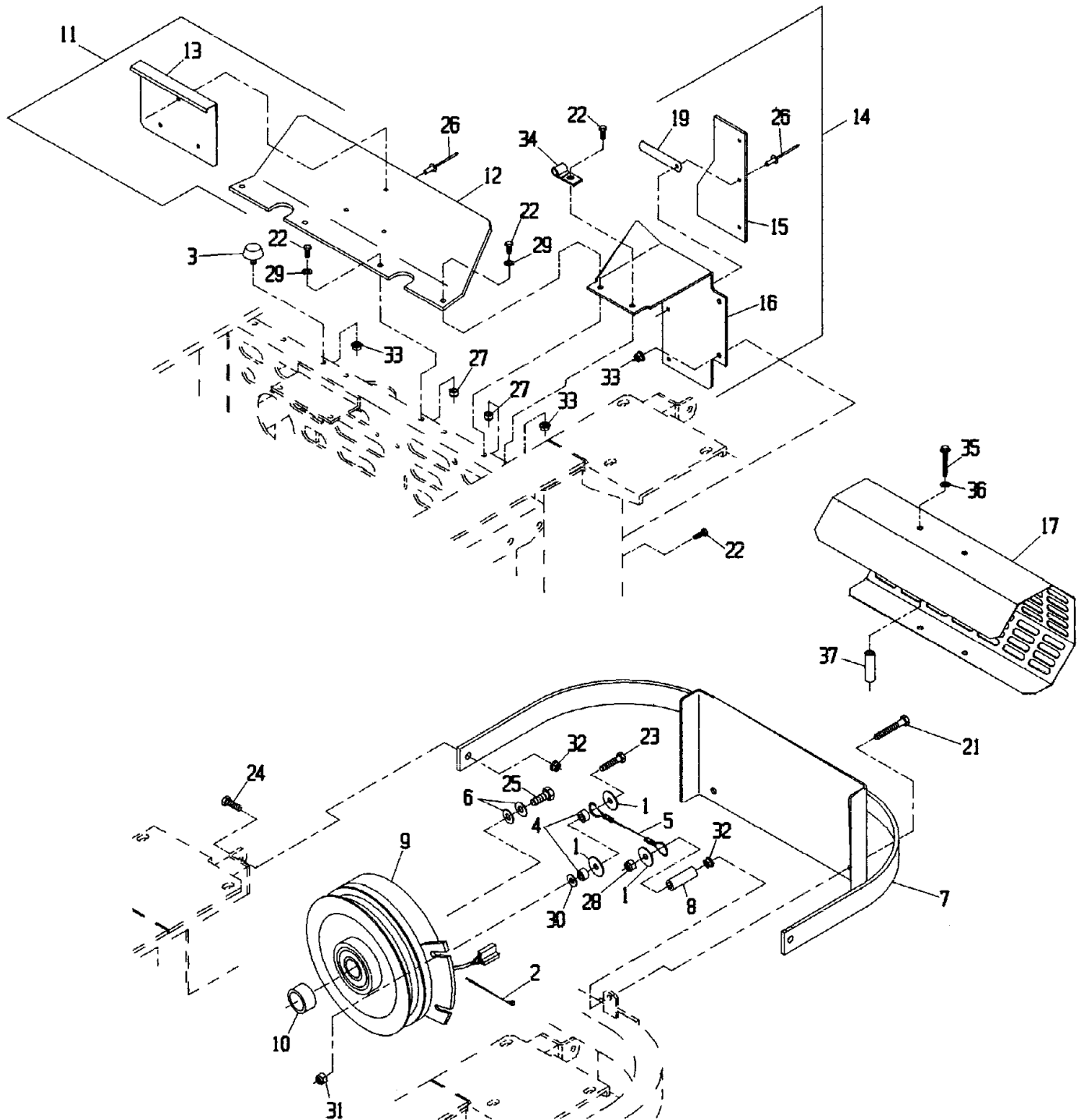
☒ Use Pro-Lock, Nut Type (P/N 840022, .5ml tube) on clutch bolt.
Exmark black touch up spray paint - gloss black

Kohler Replacement Parts List

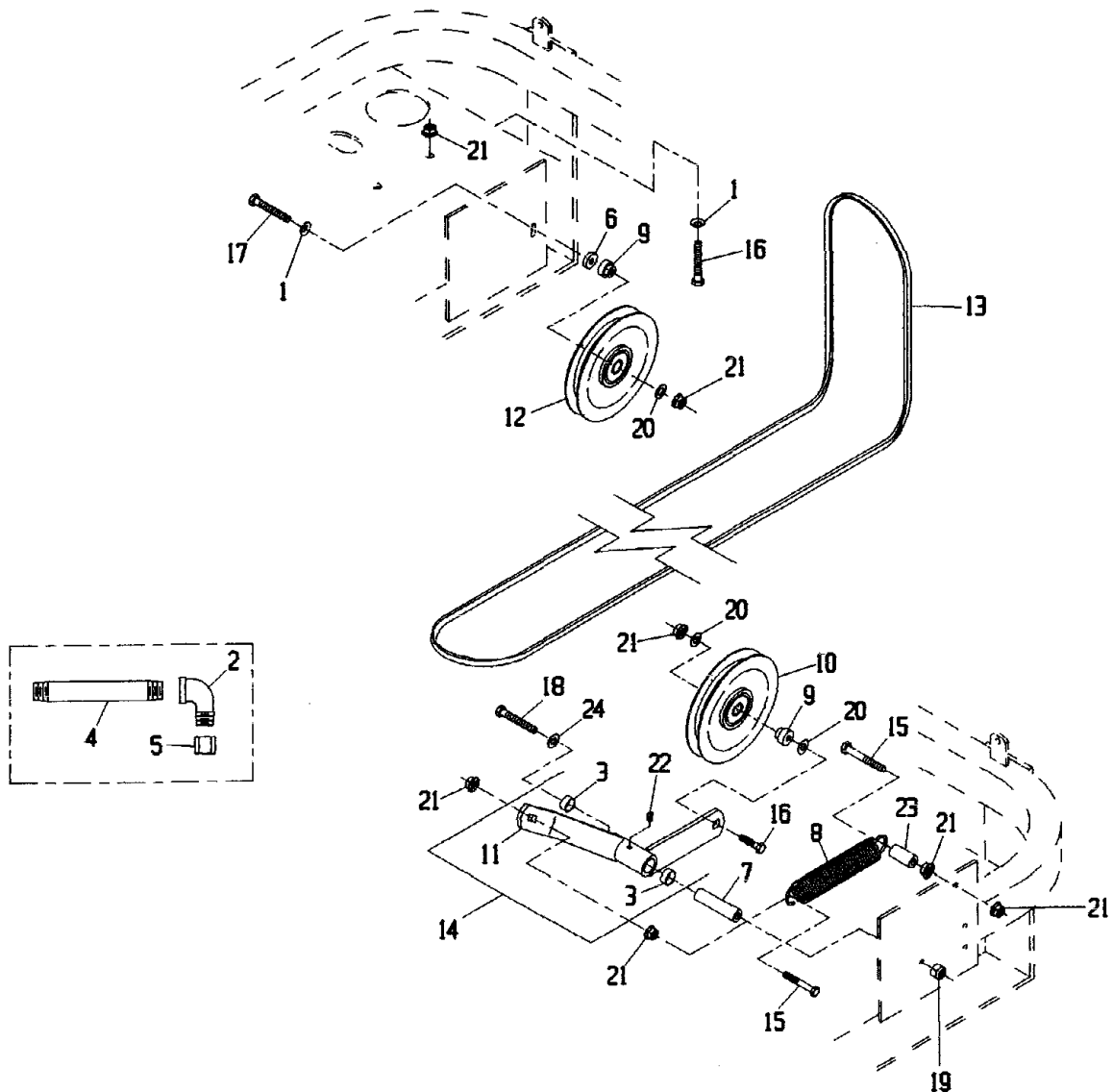
Note: Refer to Engine Owner's Manual

<u>Description</u>	<u>Kohler Part No.</u>
Engine Oil Filter	1205001
Air Precleaner (For 18 & 22 HP Engine)	2408302
(For 25 HP Engine)	2408305
Air Filter (For 18 & 22 HP Engine)	4708303
(For 25 HP Engine)	2708303

ENGINE DECK GROUP



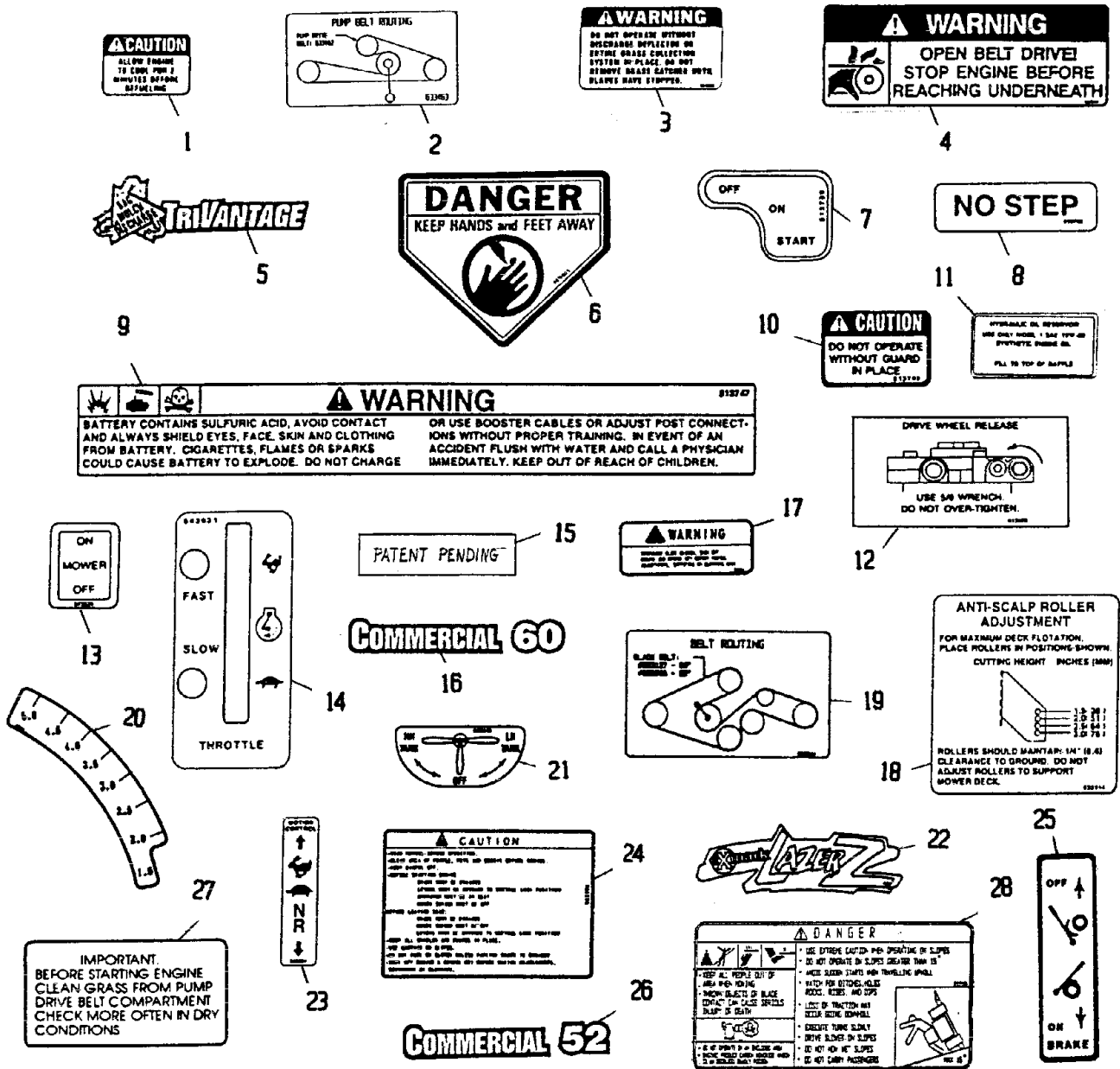
ENGINE DECK GROUP (con't.)



Ref. No.	Part No.	Description	Qty. Req'd.	Ref. No.	Part No.	Description	Qty. Req'd.
1	303327	Washer, spring disc 3/8.....	5	13	633173	Belt, mule drive	1
2▽	403124	Elbow, 3/8 NPT.....	1	14	632469	Arm, idler w/bushings.....	1
3	513034	Bearing	2	15	800297	Screw, 3/8-16 x 2 1/4	2
4▽	543232	Nipple, pipe 3/8 NPT	1	16	800295	Screw, 3/8-16 x 1 3/4	5
5▽	543233	Cap, oil drain 3/8 NPT	1	17	800299	Screw, 3/8-16 x 2 3/4	1
6	603050	Spacer	1	18	800805	Screw, 3/8-11 x 3 1/2	1
7	603384	Bushing, idler pivot.....	1	19	804257	Nut, nylock 3/8	1
8	603402	Spring, mule idler.....	1	20	805259	Washer, 3/8 sae.....	3
9	603496	Bushing, idler.....	2	21	809007	Nut, whizlock 3/8-16.....	10
10	603805	Pulley, idler	1	22	811008	Zerk, 1/4-20 (90°).....	1
11	632468	Arm, idler	1	23	603401	Spacer, spring.....	1
12	633166	Pulley, idler.....	1	24	805260	Washer, 3/8.....	1

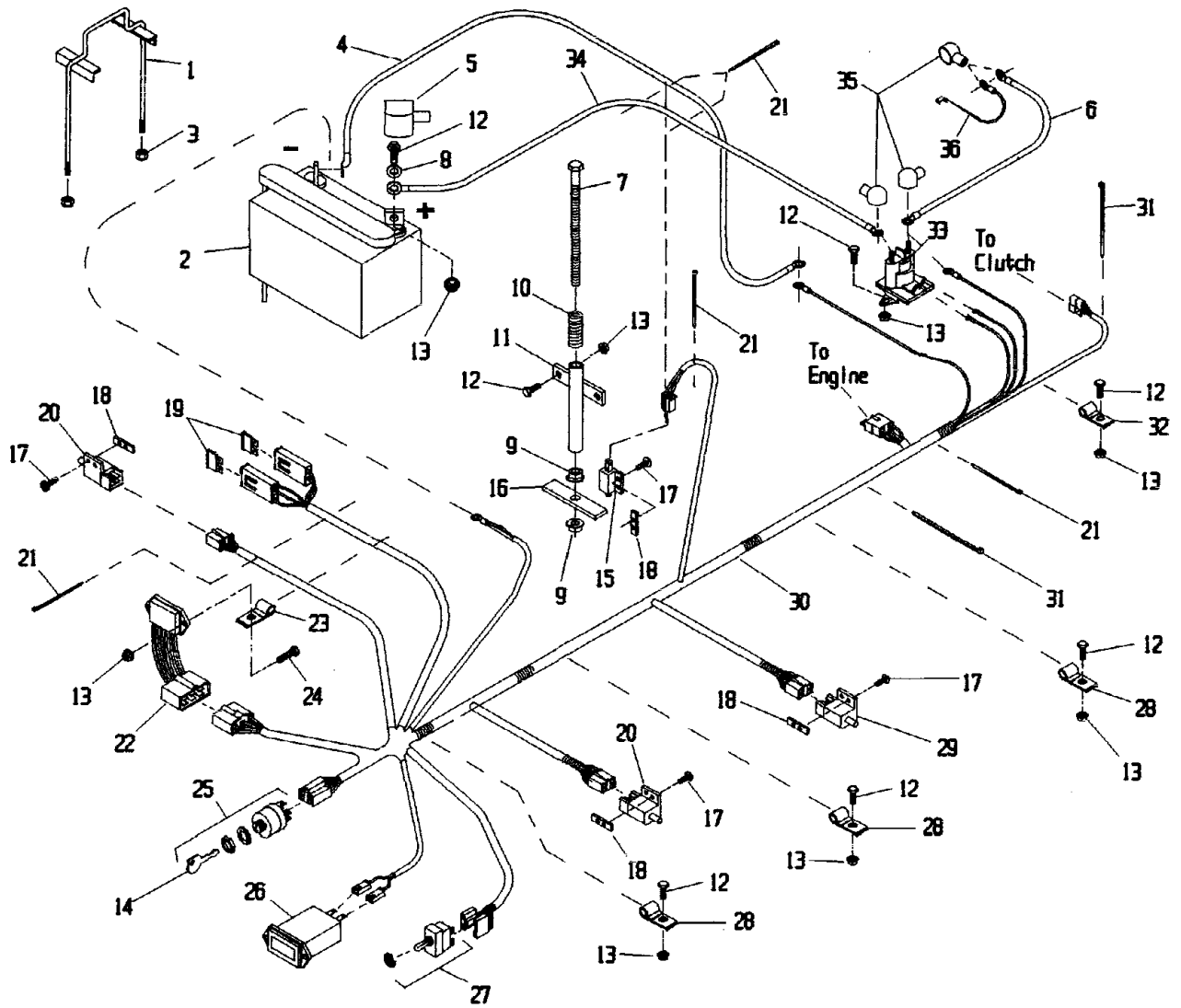
▽ Use a Teflon Pipe Sealant or equivalent on threads.
Exmark black touch up spray paint - gloss black

DECAL GROUP



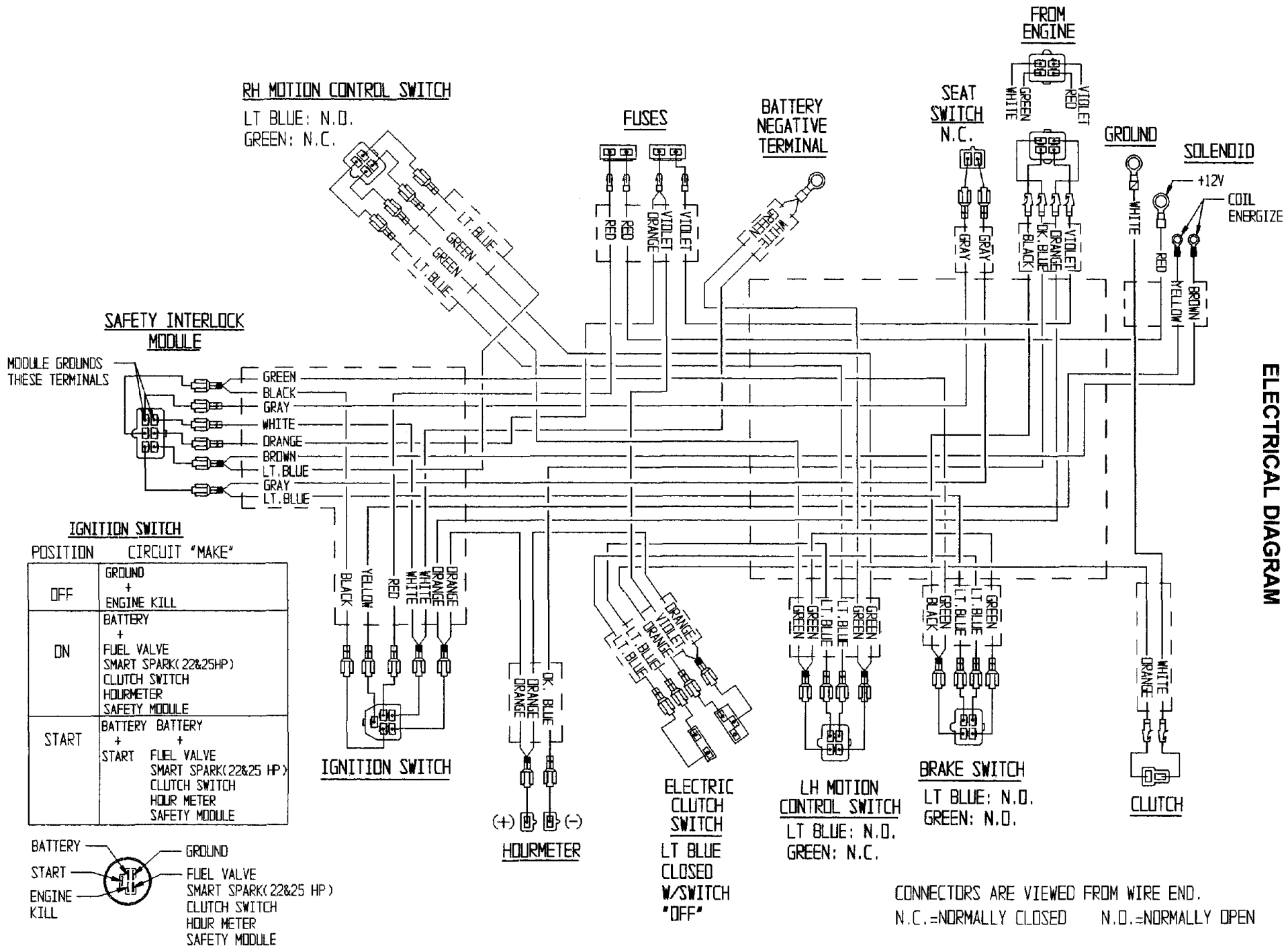
Ref. No.	Part No.	Description	Qty. Req'd.	Ref. No.	Part No.	Description	Qty. Req'd.
1	303293	Decal, 2 Minute Cool	2	15	373066	Decal, Patent Pending.....	2
2	633463	Decal, Pump Belt Rtg(8 Rib) ..	1	16	613050	Decal, Commercial 60.....	1
	633599	Decal, Pump Belt Rtg(5 Rib) ..	1	17	633313	Decal, Warning.....	1
3	303508	Decal, Discharge Warning.....	1	18	633314	Decal, Anti-Scalp.....	1
4	303517	Decal, Belt Drive Warning.....	1	19	633344	Decal, Belt Routing.....	1
5	303520	Decal, TriVantage.....	1	20	633345	Decal, Deck Height.....	1
6	403005	Decal, Danger.....	2	21	633346	Decal, Fuel Valve.....	1
7	513739	Decal, Ignition.....	1	22	633350	Decal, Lazer Swash.....	2
8	513742	Decal, No Step.....	2	23	633354	Decal, Motion Control.....	2
9	513747	Decal, Battery.....	1	24	633390	Decal, Instructional.....	1
10	513748	Decal, Guard (Caution).....	1	25	633391	Decal, Brake.....	1
11	513890	Decal, Hydraulic Tank.....	1	26	403132	Decal, Commercial 52.....	1
12	513929	Decal, Drive Release.....	1	27	633462	Decal, Important.....	2
13	543626	Decal, Blade Engagement.....	1	28	633558	Decal, Danger.....	1
14	543631	Decal, Throttle.....	1		631537	Decal Kit.....	

ELECTRICAL GROUP



Ref. No.	Part No.	Description	Qty. Req'd.	Ref. No.	Part No.	Description	Qty. Req'd.
1	632321	Holdown wldmt.-battery	1	19	816001	Fuse-20 amp	2
2	603479	Battery-12V	1	20	633111	Switch-drive lever N.O./N.C.	2
3	804256	Nut, 5/16-18 nylock	2	21	303287	Plastic tie (small)	5
4	633307	Cable-battery (-) 40"	1	22	543316	Module-safety interlock	1
5	543391	Insulator-battery	1	23	513762	Clip-loom .50	1
6	633306	Cable-starter (+) 8"	1	24	800254	Screw, 1/4-20x1	1
7	800282	Screw, 5/16-18x7	1	25	543070	Switch-ignition w/ keys	1
8	805256	Washer, 1/4 flat	2	26	513374	Meter- engine hours	1
9	809001	Nut, 5/16-18 whizlock	2	27	543018	Switch- blade w/ nut	1
10	523415	Spring- seat switch	1	28	633396	Clip- loom .69	3
11	522424	Spring mount wldmt.	1	29	633110	Switch- brake N.O./N.O.	1
12	800252	Screw, 1/4-20x3/4	10	30	633284	Harness-wiring	1
13	809012	Nut, 1/4-20 whizlock	11	31	303335	Plastic tie (large)	2
14	603511	Keys, ignition	1	32	323229	Clip- loom .38	1
15	513152	Switch- seat N.C.	1	33	513075	Switch- 12v solenoid	1
16	513180	Actuator, seat switch	1	34	523281	Cable- battery (+) 30"	1
17	803028	Screw, #10-24x5/8	8	35	543393	Insulator, solenoid (+)	3
18	633181	Plate- tapped	4	36	543084	Wire- starter solenoid	1

◇ Use dielectric grease on all wiring harness connectors.



ELECTRICAL DIAGRAM

**SEE EXMARK'S COMPLETE
LINE OF PRODUCTS FOR TURF CARE**

LAZER Z

EXPLORER

TURF RANGER

TURF TRACER HYDRO

TURF TRACER HP

VIKING 5-SPEED

VIKING HYDRO

METRO

SELF STEERING SULKY

GRASS CATCHER

MICRO-MULCHING ACCESSORY

**EXMARK MFG. CO. INC.
INDUSTRIAL PARK BOX 808
BEATRICE, NE. 68310**

ALL RIGHTS RESERVED

**PART NO. 850416
(402) 223-4010
FAX (402) 223-4154**

PRINTED IN U.S.A.

