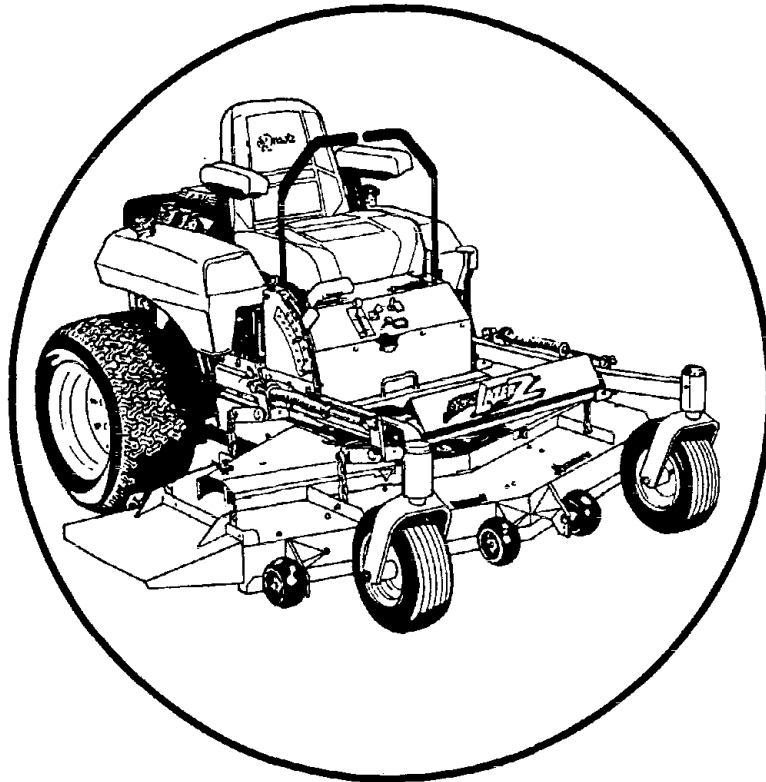




For Serial Nos.
160,000 and Higher

LAZER Z



Parts Manual

CONGRATULATIONS on the purchase of your new Exmark mower. This product has been carefully designed and manufactured to give you a maximum amount of dependability and years of trouble-free operation.

If additional information is needed, or should you require trained mechanic service, contact your authorized Exmark equipment dealer or distributor.

If you need to order replacement parts from your dealer, always give the model number and serial number of your mower as well as the part number, description and quantity of the part needed.

The Serial No. plate is located on the right hand side of the console.

For ease of ordering and reference, we suggest that you record the information requested in the following identification table.

Model No. _____

Serial No. _____

Date Purchased _____

Purchased From _____

Paste Label From
Literature Packet Here



EXMARK PARTS PLUS® PROGRAM

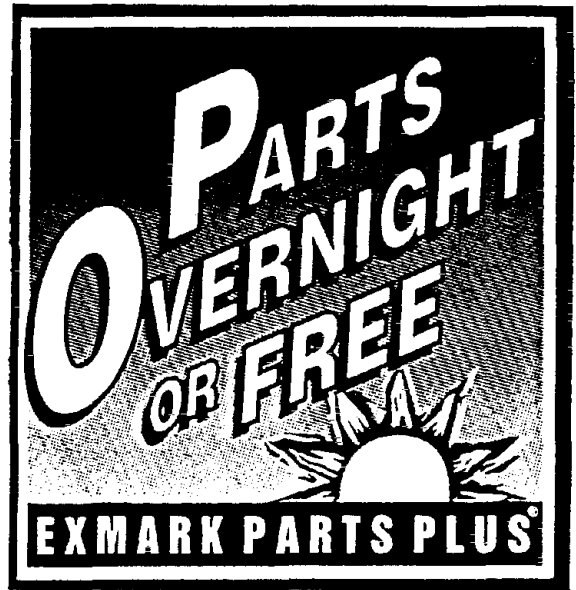
EFFECTIVE DATE: September 1, 1995

Program

If your Exmark dealer does not have the Exmark part in stock, Exmark will get the parts to the dealer the next business day or the part will be FREE* Guaranteed!!

How the Program Works

1. If dealer does not have part in stock for a "down" unit at the time of request by customer, the dealer contacts his distributor by 1:00 p.m., local time, and requests Exmark Parts Plus® shipment of six (6) line items or less.
2. Distributor ships part(s) to dealer or customer, as requested by dealer, same day, overnight UPS Distributor bills dealer for part and freight charges where applicable.
3. If distributor does not have the part(s) in stock to satisfy Exmark Parts Plus® order, he contacts Exmark by 3:00 p.m., central time, with an Exmark Parts Plus® order of six (6) line items or less.
4. If order is received by 3:00 p.m. central time, Exmark ships part(s) direct to dealer or customer, as requested by distributor, same day, overnight UPS Exmark bills the distributor for parts and shipping charges, where applicable.
5. The customer pays for the part and freight if it is shipped under the Exmark Parts Plus® and if it arrive in accordance to the program.
6. Who pays for the part and freight if it fails to arrive overnight in accordance to the program?
 - A. Under any circumstance the customer does not pay.
 - B. If the part does not arrive overnight due to:
 1. The dealer not submitting the Exmark Parts Plus® order to his Exmark distributor by 1:00 p.m., the dealer pays for the part and freight.
 2. The Distributor being unable to ship the part the same day or not submitting the Exmark Parts Plus® order to Exmark by 3:00 p.m., central time, the Distributor pays for the part and freight.
 3. Exmark being unable to ship the part and the Exmark parts order is received by 3:00 p.m., central time, Exmark pays for the part and freight.
 4. If the part does not arrive overnight due to the shipper (UPS), the shipper pays for the freight and Exmark pays for the part.



The following restrictions apply -- The Exmark Parts Plus® Program is available only through participating Exmark Dealers and applies only to orders submitted on this program Monday through Thursday. UPS has initiated a Saturday delivery program to many areas of the continental United States and can be requested for an overnight shipment on Friday to be delivered Saturday. The next day air charge, plus the Saturday delivery fee will be the responsibility of the purchaser. Exmark Mfg. will assume no responsibility for Saturday delivery shipments. To qualify, all Exmark Parts Plus® orders must be received by Exmark by 3:00 p.m., central time. Orders must be six (6) line items or less. Exclusions from the Exmark Parts Plus® Program are: Any wholegood or accessory in its entirety, engines and engine replacement parts, 5-speed Peerless transmissions and 5-speed transaxles, hydraulic or hydrostatic wheel motors, cutter decks and engine decks or any item exceeding United Parcel Service size and weight restrictions.

Due to UPS restrictions, aerosol spray paint is considered a hazardous material and cannot be shipped via UPS next day or Second Day Air.

Exmark Manufacturing stocks a limited supply of parts for transaxles, pumps and wheel motors. These parts can be ordered for Next Day Air shipment but will not be guaranteed per the Parts Plus Program.



**READ OPERATOR'S MANUAL BEFORE
OPERATING OR SERVICING EXMARK EQUIPMENT.**

TABLE OF CONTENTS

<u>Description</u>	<u>Page</u>
Decal Group	20
Electrical Diagram	22
Electrical Group.....	21
Engine Deck Group	17-19
Front Frame Group.....	7- 8
Fuel Group	10
Hydraulics Group.....	15-16
Main Frame Group	9
Motion Control Levers	13-14
Park Brake Group	11-12
Parts Plus Program	1
52" Deck Group	3-4
60" Deck Group	5-6

52" DECK GROUP

Ref. No.	Part No.	Description	Qty. Req'd.	Ref. No.	Part No.	Description	Qty. Req'd.
1	632527	Deck wldmt, 52".....	1	41	633366	Belt, blade drive 52" Deck.....	1
	634536	Deck wldmt, 52" w/decals.....	1	42	633447	Chain.....	4
2	805259	Washer, 3/8 SAE.....	3	43	800811	Screw, 7/16-14 x 1-1/2.....	8
3	323533	Spacer, shv/brg.....	3	44	800271	Screw, 5/16-18 x 3/4.....	2
4	513208	Washer, disc spring.....	6	45+	403087	Sheave, blade drive 6.75 OD..	1
5	303334	Washer, 5/16 disc spring.....	1	46+	633010	Pulley, split sheave 6.30 OD...1	
6	809001	Nut, 5/16-18 whizloc.....	16	47◇	803046	Setscrew, 5/16-18 x 1sqhdcp..1	
7	602913	Baffle wldmt, discharge.....	1	48◇	803022	Setscrew,5/16-18x5/8sqhdcp. 2	
8	800270	Screw, 5/16-18 x 5/8.....	5	49	807264	Key, 1/4 sq x 2 5/8.....	1
9	603299	Roller, antiscalp.....	6	50	633012	Jackshaft, deck drive.....	1
10	809007	Nut, 3/8-16 whizlock.....	12	51	634620	Cutter housing complete.....	3
11	373034	Washer, pivot.....	7	52	800304	Screw, 3/8-16 x 3 1/4.....	1
12	603602	Bushing, roller.....	6	53	633014	Bracket, jackshaft.....	1
13	303327	Washer, 3/8 disc spring.....	10	54	807503	Bolt, 5/16-18 x 3/4 Carr.....	6
14	800807	Screw, 3/8-16 x 4 gr8.....	6	55	513013	Housing, flange.....	4
15	602571	Chute, discharge 52".....	1	56	513012	Bearing w/lock collar & ss.....	2
16	800273	Screw, 5/16-18 x 1.....	3	57*	633573	Guard, Brg bottom.....	3
17	804256	Nut, 5/16-18 nyloc.....	2	58	807507	Bolt, 3/8-16 x 1 carr.....	4
18	633357	Shield, belt 52".....	2	59	632690	Strut wldmt, deck.....	2
19	323385	Knob, belt shield.....	6	60	634619	Housing w/ring, spacer, & brg..3	
20	322110	Belt guide wldmt.....	1	61	633029	Spherical rod end.....	2
21	800340	Screw, 5/8-11 x 1.....	3	62◇	803050	Setscrew, 5/16-18 x .75sqhd...1	
22	800297	Screw, 3/8-16 x 2 1/4.....	2	63	800343	Screw, 5/8-11 x 5.....	2
23	303537	Stud, belt shield.....	2	64	805010	Lockwasher, 5/8 reg.spring.....	2
24	805258	Washer 5/16 std flat.....	4	65	811006	Zerk, 1/4-28 straight.....	4
25	323417	Washer, rubber.....	2	66	632199	Pin wldmt, deck strut.....	2
26	633151	Spring, extension.....	1	67	804510	Nut, 5/8-18 hex.....	5
27	632119	Arm wldmt, deck idler.....	1	68	807006	Key, # 61 Woodruff.....	3
28	513034	Bearing, pivot.....	2	69	633686	Sheave, blade drive.....	3
29	634244	Arm wldmt/brg sub-assy.....	1	70	513016	Bearing.....	6
30	603044	Bushing, idler pivot.....	1	71	323532	Housing ,bearing.....	3
31	811008	Zerk, 1/4-20 90°.....	1	72	323528	Spacer, bearing.....	3
32	805260	Washer, 3/8 std flat.....	1	73	800293	Screw, Hex cap 3/8 x 1 1/4.....	18
33	804257	Nut, 3/8-16 nylock.....	20	74	808502	Snap Ring.....	3
34	800299	Screw, 3/8-16 x 2 3/4.....	1	75	633574	Spindle.....	3
35	633109	Idler pulley 6.00 dia flat.....	2	76	633482	Blade, notched air foil.....	3
36	803016	Bolt, 3/8-16 x 1 whizlock.....	1		633485	Blade, low lift.....	3
37	633456	Bushing, Idler.....	2	‡	633484	Blade, mulching.....	3
38	804522	Nut, 5/8-11 hex.....	2	77	634546	Jackshaft S/A.....	1
39	809073	Nut, 7/16-14 whizlock.....	16	78	634726	Strut wldmt S/A.....	2
40	603805	Idler pulley 5.06 O.D V.....	1				

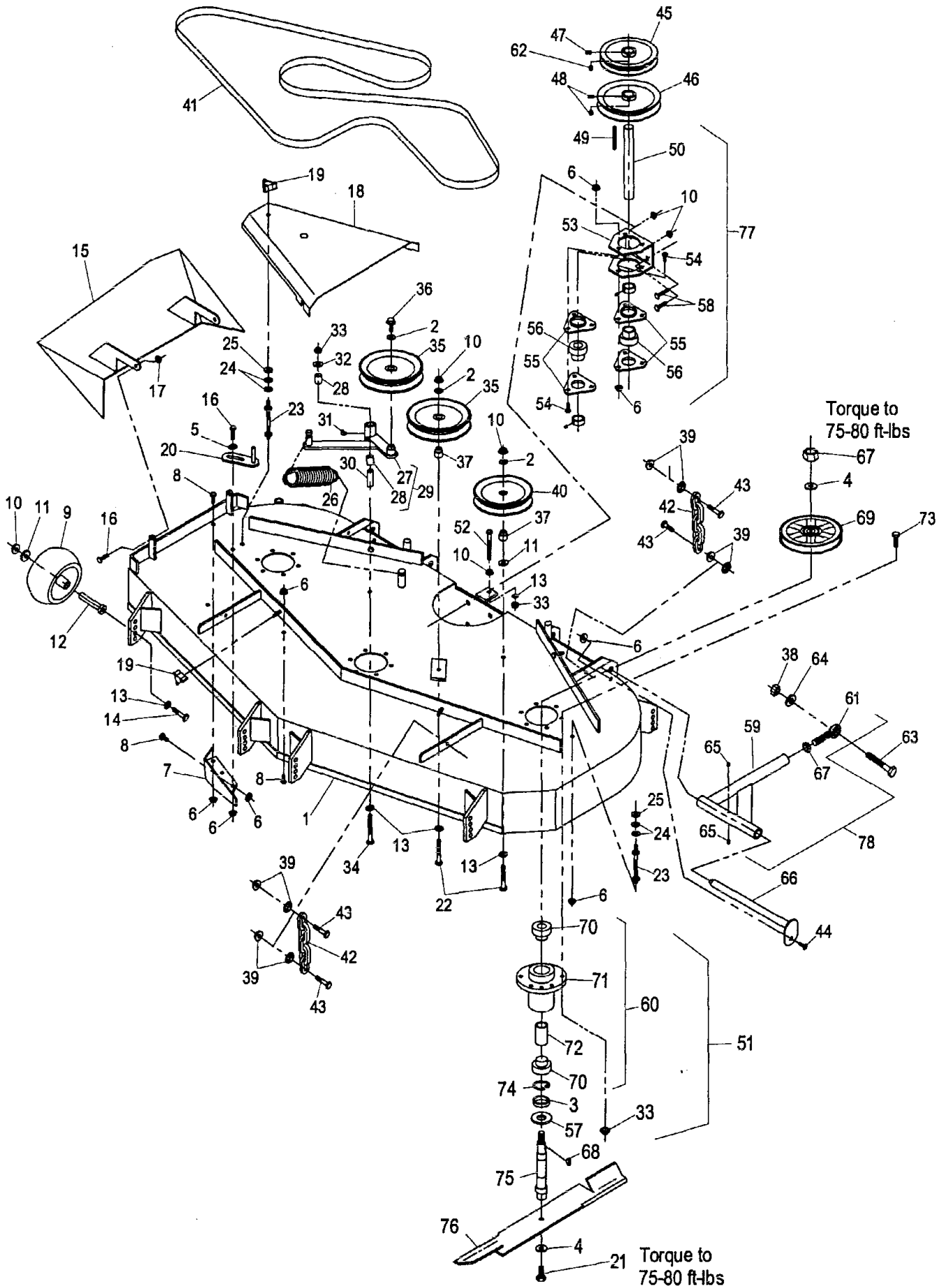
‡ Requires installation of Micro-Mulch accessory for proper mulching. Mulch kit P/N MK523

+ Use antiseize on bore of pulleys.

◇ Use Pro-lock Nut Type (P/N 840022 .5 ml. tube) on setscrews.
Exmark red touch up spray paint - P/N 850337

* Cutter housing complete includes sheave, washer, and nut.

52" DECK GROUP



60" DECK GROUP

Ref. No.	Part No.	Description	Qty. Req'd.	Ref. No.	Part No.	Description	Qty. Req'd.
1	632525	Deck wldmt, 60	1	41	633127	Belt, blade drive 60" deck	1
	634535	Deck wldmt, 60 w/decals	1	42	633447	Chain	4
2	634619	Housing w/ring, spacer, brg	3	43	800811	Screw, 7/16-14 x 1-1/2.....	8
3	805259	Washer, 3/8 SAE	3	44	800271	Screw, 5/16-18 x 3/4	2
4	513208	Washer, disc Spring	6	45+	303498	Sheave, blade drive 6.13 OD..	1
5	303334	Washer, 5/16 disc spring.....	1	46+	633010	Pulley, split sheave 6.30 OD...	1
6	809001	Nut, 5/16-18 whizlock.....	14	47	803046	Setscrew, 5/16-18 x 1sqhdcp .	1
7	602913	Baffle wldmt, discharge.....	1	48	803022	Setscrew,5/16-18x5/8sqhdcp	2
8	800270	Screw, 5/16-18 x 5/8	5	49	807264	Key, 1/4 sq x 2 5/8	1
9	603299	Roller, antiscalp	6	50	633012	Jackshaft, deck drive	1
10	809007	Nut, 3/8-16 whizlock.....	10	51	804522	Nut, 5/8-11 hex	2
11	373034	Washer, pivot.....	7	52	800304	Screw, 3/8-16 x 3 1/4.....	1
12	603602	Bushing, roller	6	53	633014	Bracket, jackshaft	1
13	303327	Washer, 3/8 disc spring	10	54	807503	Bolt, 5/16-18 x 3/4 Carr.....	6
14	800807	Screw, 3/8-16 x 4 gr8.....	6	55	513013	Housing, flange	4
15	542606	Chute, discharge 60"	1	56	513012	Bearing w/lock collar & ss.....	2
16	800273	Screw, 5/16-18 x 1	3	57*	634620	Cutter housing complete.....	3
17	804256	Nut, 5/16-18 nylock.....	2	58	807507	Bolt, 3/8-16 x 1 carr	4
18	633084	Shield, belt 60"	2	59	632690	Strut wldmt, deck	2
19	323385	Knob, belt shield	6	60	323533	Spacer shv/brg.....	3
20	322110	Belt guide wldmt.....	1	61	633029	Spherical rod end.....	2
21	800340	Screw, 5/8-11 x 1	3	62	803050	Setscrew, 5/16 x 3/4sqhdcp....	1
22	800297	Screw, 3/8-16 x 2 1/4	2	63	800343	Screw, 5/8-11 x 5	2
23	303537	Stud, belt shield	2	64	805010	Lockwasher, 5/8 reg.spring....	2
24	805258	Washer 5/16 std flat.....	4	65	811006	Zerk, 1/4-28 straight.....	4
25	323417	Washer, rubber.....	2	66	632199	Pin wldmt, deck strut.....	2
26	633151	Spring, extension	1	67	804510	Nut, 5/8-18 hex	5
27	632119	Arm wldmt, deck idler	1	68	807006	Key, # 61 Woodruff.....	3
28	513034	Bearing, pivot	2	69	633686	Sheave, Blade drive.....	3
29	634244	Arm wldmt/brg sub-assy	1	70	513016	Bearing	6
30	603044	Bushing, idler pivot.....	1	71	323532	Housing, bearing.....	3
31	811008	Zerk, 1/4-20 90°	1	72	323528	Spacer, bearing	3
32	805260	Washer, 3/8 std flat.....	1	73	633573	Guard, brg bottom.....	3
33	804257	Nut, 3/8-16 nylock.....	20	74	808502	Snap Ring	3
34	800299	Screw, 3/8-16 x 2 3/4	1	75	633574	Spindle.....	3
35	633109	Idler pulley 6.00 dia flat.....	2	76	633483	Blade, notched air foil	3
36	803016	Bolt, 3/8-16 x 1 whizlock	1		613111	Blade, low lift.....	3
37	633456	Bushing, Idler	2	+	613112	Blade, mulching	3
38	800293	Screw, 3/8-16 x 1 1/4.....	18	77	634546	Jackshaft S/A.....	1
39	809073	Nut, 7/16-14 whizlock.....	16	78	634726	Srut wldmt S/A	2
40	603805	Idler pulley 5.06 O.D. V.....	1				

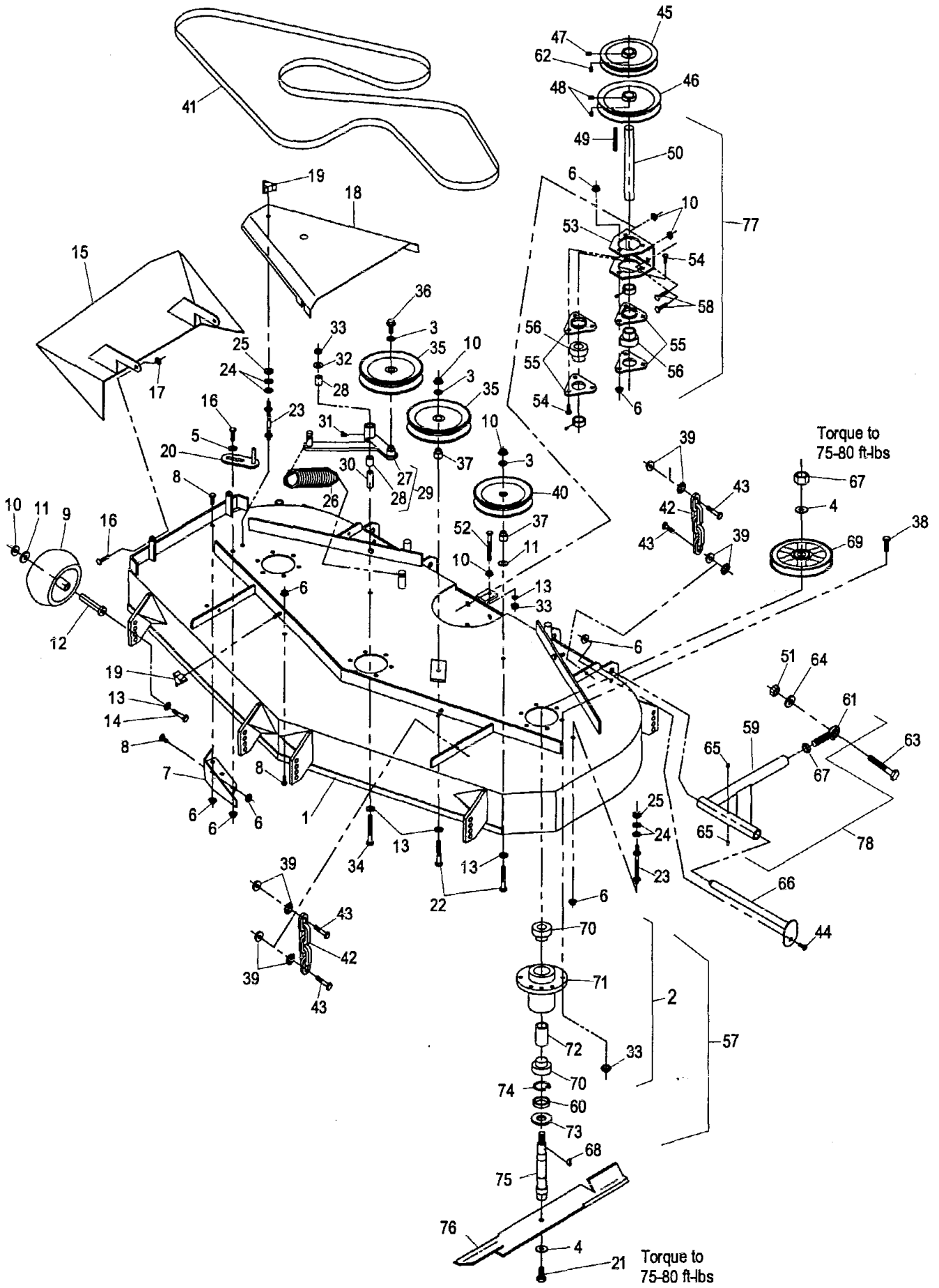
+ Requires installation of Micro-Mulch accessory for proper mulching. Mulch kit P/N MK603

+ Use antiseize on bore of pulleys.

◇ Use Pro-lock Nut Type (P/N 840022 .5 ml. tube) on setscrews.
Exmark red touch up spray paint - P/N 850337

* Cutter housing complete includes sheave, washer, and nut.

60" DECK GROUP

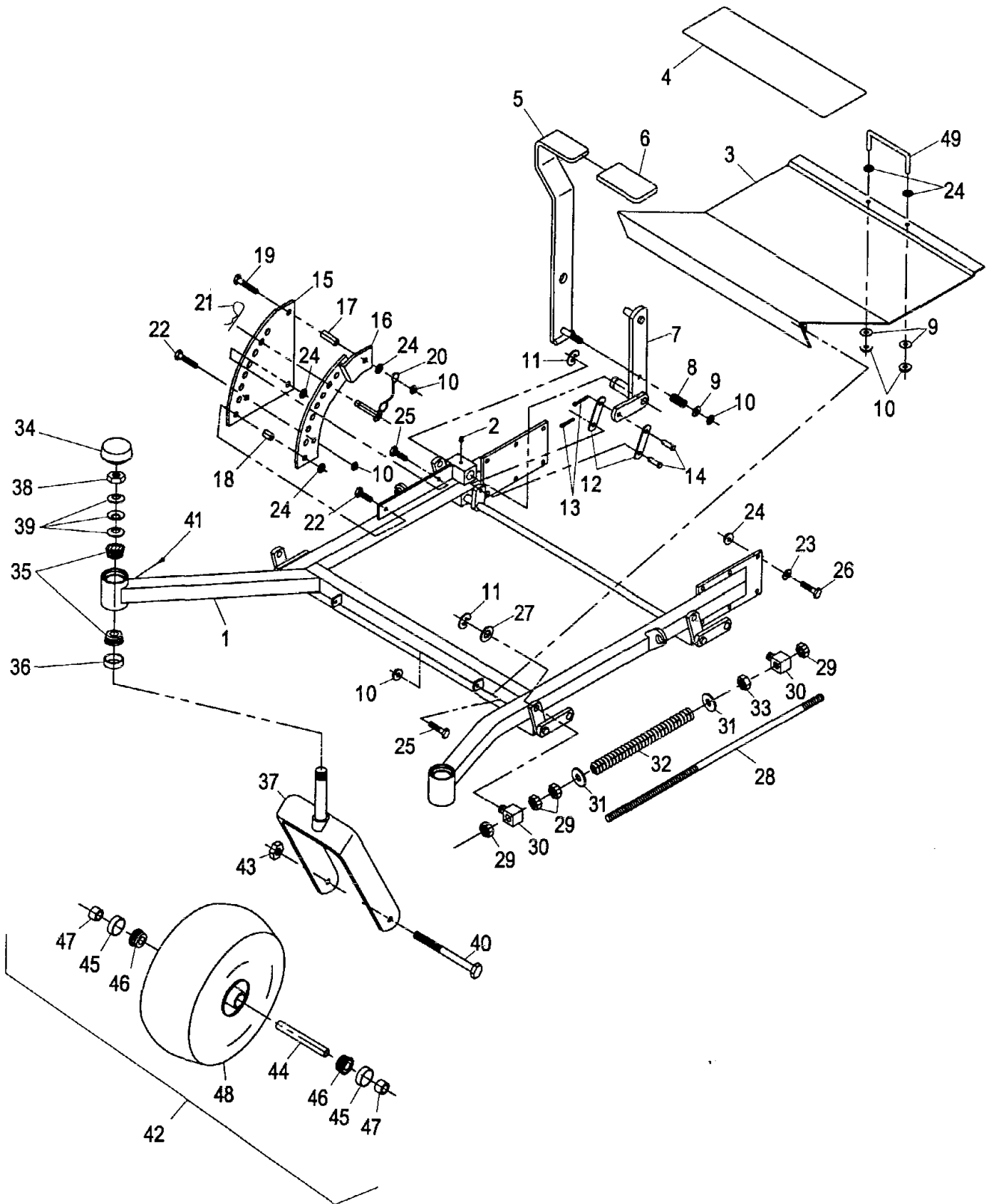


FRONT FRAME GROUP

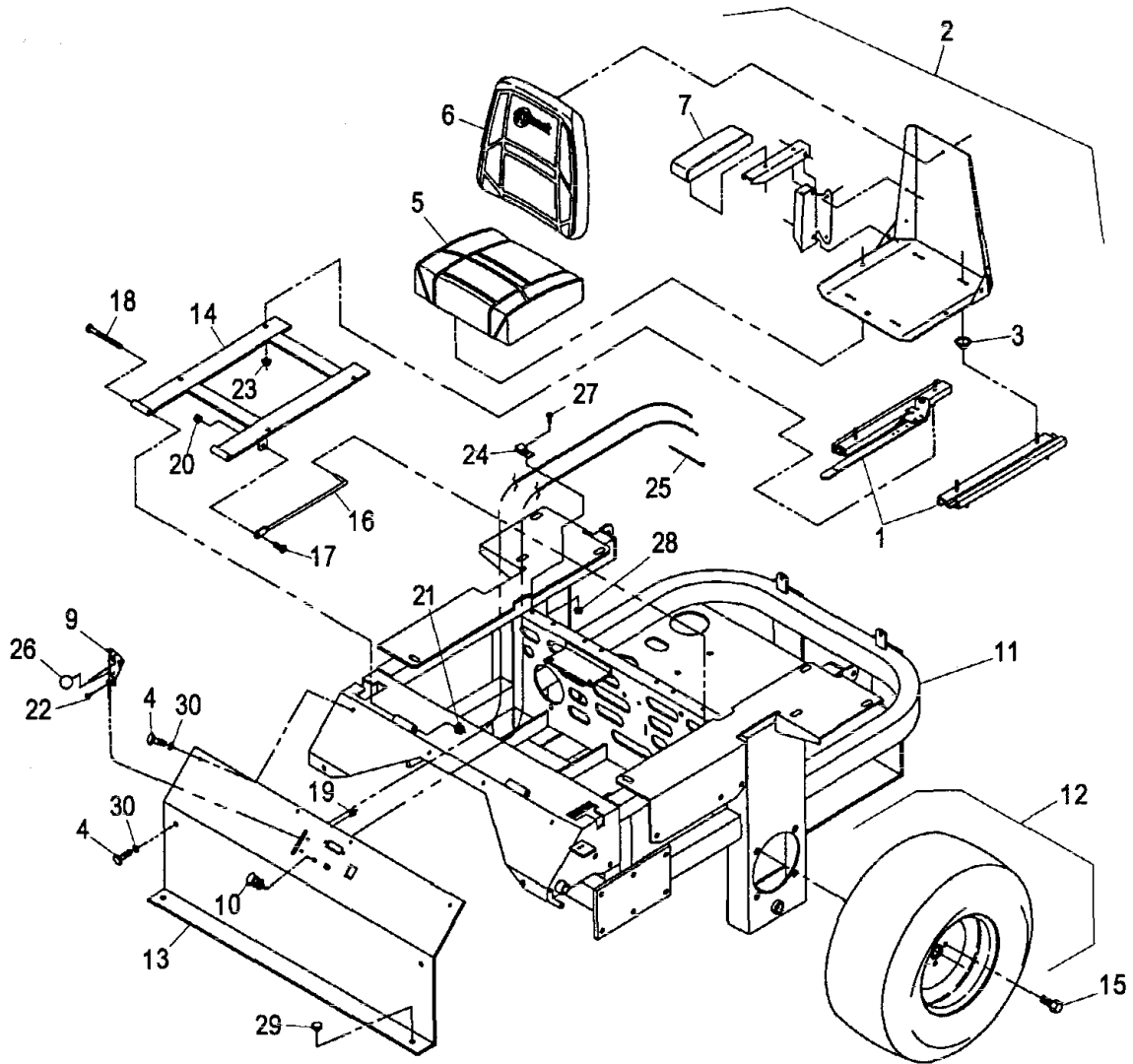
Ref. No.	Part No.	Description	Qty. Req'd.	Ref. No.	Part No.	Description	Qty. Req'd.
1	632518	Frame wldmt, front 52"	1	27	805271	Washer, 7/8 SAE flat.....	4
	632513	Frame wldmt, front 60".....	1	28	633096	Rod, deck lift	2
2	811006	Zerk, 1/4-28 straight	5	29	804522	Nut, 5/8-11 regular	8
3	633556	Floorpan	1	30	633441	Swivel, deck mount.....	4
4	633553	Pad, anti skid	3	31	805268	Washer, 5/8 std flat.....	4
5	634312	Lever w/grip	1	32	633064	Spring, deck support	2
	632324	Lever wldmt, lift.....	1	33	804755	Jam nut, 5/8-11	2
6	633295	Grip, lift lever.....	1	34	543513	Cap, grease	2
7	632219	Arm wldmt, deck lift	1	35	543509	Bearing cone, tapered roller....	4
8	633325	Spring, compression.....	1		543508	Bearing cup, tapered roller.....	4
9	805259	Washer, 3/8 SAE flat	3	36	543511	Seal, grease	2
10	804257	Nut, nylock 3/8-16.....	7	37	632511	Caster wldmt	2
11	808505	E-ring	5	38	804266	Nut, 3/4-10 nylock	2
12	633068	Arm, deck lift.....	2	39	633508	Washer, spring disk.....	6
13	806761	Cotter pin, 1/8 x 3/4	2	40	800339	Screw, 1/2-13 x 7 1/2	2
14	808284	Clevis pin, 3/8 x 1	2	41	811010	Plug	2
15	633072	Plate, deck lift	1	42	632586	Caster wheel assy.....	2
16	632195	Plate wldmt, deck lift.....	1	43	804265	Nut, 1/2-13 nylock... ..	2
17	633082	Bushing, lift lever	1	44	633579	Spacer, front caster.....	2
18	633080	Bushing, lift lever	1	45	633580	Seal, bearing.. ..	4
19	800299	Screw, 3/8-16 x 2 3/4.....	1	46	633585	Bearing cone.. ..	4
20	633097	Hitch pin w/lanyard.....	1	47	633581	Spacer, bearing.. ..	4
21	806005	Hairpin cotter (serv only).....	1	48	633582	Wheel & tire assy.....	2
22	800295	Screw, 3/8-16 x 1 3/4	2		633002	Tire, 13 x 5.0-6 4 ply.....	2
23	303327	Washer, 3/8 disc spring.....	12		633583	Wheel.....	2
24	809007	Nut, whizlock 3/8-16	17		633584	Bearing cup.....	4
25	800292	Screw, 3/8-16 x 1	3	49	633587	Handle.. ..	1
26	800293	Screw, 3/8-16X1 1/4	12				

Exmark red touch up spray paint - P/N 850337

FRONT FRAME GROUP



MAIN FRAME GROUP

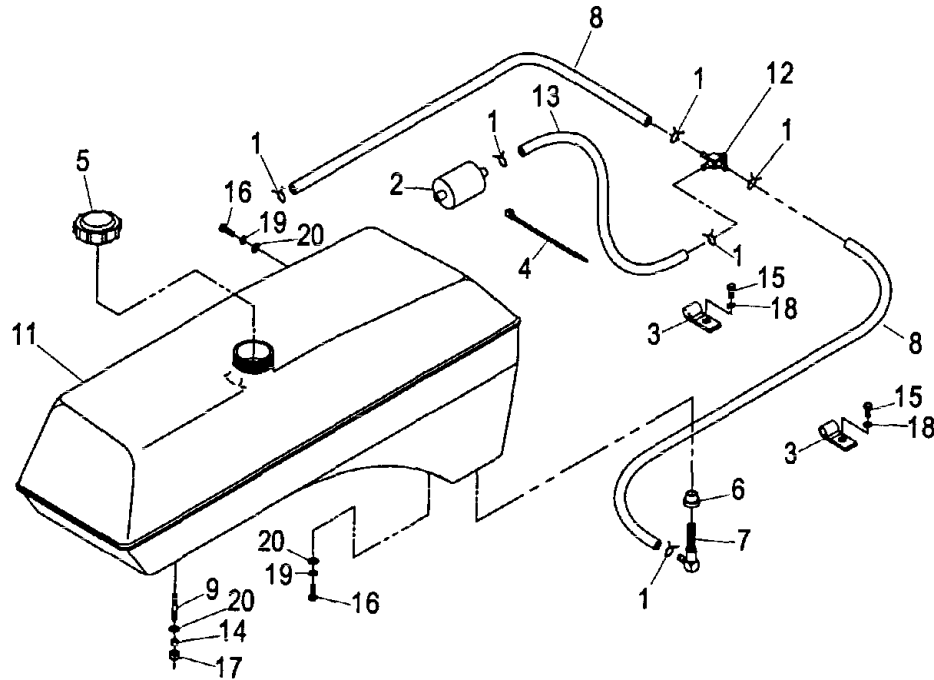


Ref. No.	Part No.	Description	Qty. Req'd.	Ref. No.	Part No.	Description	Qty. Req'd.
1	523428	Track, seat (4" adjustable).....	1	15	633273	Bolt, wheel 1/2-20 x 7/8.....	8
2	634691	Seat Assy w/tracks	1	16	633293	Rod, seat hold-up.....	1
3	543401	Spacer, seat track.....	4	17	800273	Screw, 5/16-18 x 1	1
4	800271	Screw, 5/16-18 x 3/4.....	6	18	800306	Screw, 3/8-16 x 5	2
5	543407	Cushion, seat.....	1	19	804252	Nut, nylock #10-24	2
6	543408	Cushion, backrest.....	1	20	804256	Nut, nylock 5/16-18	1
7	543409	Cushion, armrest (RH).....	1	21	804257	Nut, nylock 3/8-16	2
8*	543411	Cushion armrest (LH)	1	22	807513	Screw, #10-24 x 1/2	2
9	633696	Cable, throttle	1	23	809001	Nut, whizlock 5/16-18	4
10	603336	Cable, choke.....	1	24	513762	Clip, loom (.50).....	1
11	632655	Frame, engine deck.....	1	25	303335	Plastic tie (lrg).....	1
12	633007	Wheel/tire assembly	2	26	513592	Ball, (red) throttle cable	1
	633008	Tire, 23 x 10.5 - 12 4 ply	2	27	800252	Screw, 1/4-20 x 3/4	1
	633009	Wheel	2	28	809012	Nut, whizlock 1/4-20	1
13	633683	Front, Console.....	1	29	513658	Bumper.....	2
14	632187	Frame, seat mount	1	30	805257	Washer, 5/16 SAE fit.....	6

* Not Illustrated

Exmark black touch up spray paint - gloss black

FUEL GROUP



Ref. No.	Part No.	Description	Qty. Req'd.	Ref. No.	Part No.	Description	Qty. Req'd.
1	303077	Clamp, fuel line.....	6	11	633297	Tank, fuel (RH).....	1
2	☐ Kohler Part No. 2405002	Fuel Filter	1	12	633347	Valve, fuel.....	1
3	513762	Clip, loom .50.....	2	13	633348	Fuel line.....	1
4	303335	Plastic tie (large).....	1	14	633349	Spring, fuel tank	6
5	513508	Cap, fuel tank	2	15	800251	Screw, 1/4-20 x 5/8	2
6	513645	Bushing.....	2	16	800271	Screw, 5/16-18 x 3/4	4
7	543277	Elbow, strainer.....	2	17	804256	Nut, nylock 5/16-18	6
8	543456	Fuel line	2	18	805004	Washer, lock 1/4	2
9	◆ 633023	Stud, fuel tank.....	6	19	805005	Washer, lock 5/16	4
10*	633296	Tank, fuel (LH).....	1	20	805257	Washer, 5/16 SAE.....	10

◆ Use Prolock, Retaining type (Part No. 840023), .5cc tube on stud threads going into the tank.

* Not Illustrated.

☐ Refer to Engine Owner's Manual (Fuel Filter **Must** be 15 Micron or smaller).

PARK BRAKE GROUP

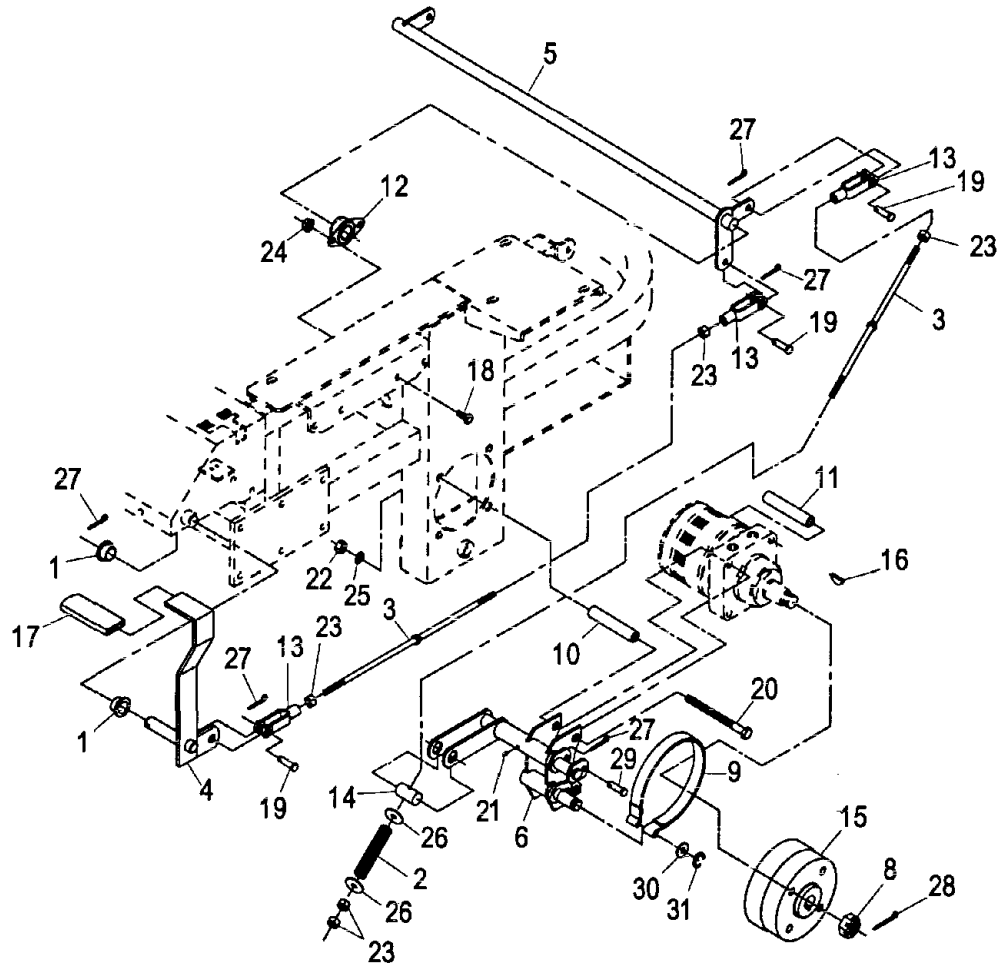
Ref. No.	Part No.	Description	Qty. Req'd.	Ref. No.	Part No.	Description	Qty. Req'd.
1	513140	Bushing.....	2	15†	633548	Hub & drum, wheel.....	2
2	633454	Spring, brake rod.....	2	16	807020	Woodruff key, 5/16X1	2
3	633477	Rod, brake	3	17	633268	Grip, brake lever.....	1
4	634500	Lever w/grip	1	18	800290	Screw, 3/8-16 x 3/4	4
	632489	Lever, brake.....	1	19	808285	Pin, clevis 3/8 x 1 1/8	4
5	632217	Shaft, brake	1	20	800334	Screw, 1/2-13 x 6 60" Deck.....	8
6	632712	Bracket, brake (LH) 60" Deck.	1		800347	Screw, 1/2-13 x 4 52" Deck.....	8
	632714	Bracket, brake (LH) 52" Deck.	1	21	811006	Zerk, 1/4-28 straight (60")	2
7*	632713	Bracket, brake (RH) 60" Deck	1		811007	Zerk, 1/4-28 45° (52").....	2
	632715	Bracket, brake (RH) 52" Deck	1	22	804509	Nut, 1/2-13	8
8	809036	Nut, castle 1.00-20	2	23	804525	Nut, 3/8-24	8
9	633693	Band, brake	2	24	809007	Nut, whizlock 3/8-16.....	4
10	633060	Spacer (short) 60" Deck	4	25	805008	Washer, lock 1/2	8
	633380	Spacer (short) 52" Deck	4	26	805260	Washer, 3/8 std.....	4
11	633062	Spacer (long) 60" Deck	4	27	806761	Pin, cotter 1/8 x 3/4	9
	633382	Spacer (long) 52" Deck	4	28	806800	Pin, cotter 9/64 x 1 1/2	2
12	633102	Bearing, flange	2	29	808283	Pin, clevis 3/8 x 2	2
13	633131	Yoke	4	30	805269	Washer, 3/4 SAE	2
14	633144	Pin, trunion	2	31	808514	E-Ring, retaining.....	2

* Not Illustrated

† Use anti-sieze on hub bore.

Exmark black touch up spray paint - gloss black

PARK BRAKE GROUP



MOTION CONTROL LEVERS

Ref. No.	Part No.	Description	Qty. Req'd.	Ref. No.	Part No.	Description	Qty. Req'd.
1	303105	Yoke.....	2	18	633177	Arm, control shaft.....	2
2	303327	Washer, disc spring 3/8.....	4	19	633257	Grip, motion control handle.....	2
3	523027	Dampener.....	2	20	800274	Screw, 5/16-18 x 1 1/4.....	4
4	543017	Ball joint (RH).....	2	21	800290	Screw, 3/8-16 x 3/4.....	8
5	603735	Bushing, nylon (reverse ind.)..	2	22	800292	Screw, 3/8-16 x 1.....	4
6	603737	Bolt, (neutral return).....	2	23	800295	Screw, 3/8-16 x 1 3/4.....	6
7	603807	Spring, (neutral return).....	2	24◇	803022	Set screw, 5/16 x 5/8.....	2
8◆	809057	Bolt, shoulder 5/16 x 3/4.....	4	25	804257	Nut, nylock 3/8-16.....	6
9	603903	Spacer.....	4	26	804521	Nut, 5/16-24.....	10
10*	634258	Handle w/grip (LH).....	1	27	804524	Nut, 5/16-24 (LH).....	2
	632191	Handle, motion control (LH)....	1	28	804758	Nut, jam 5/16-24.....	2
11	634259	Handle w/grip (RH).....	1	29	805256	Washer, 1/4.....	2
	632193	Handle, motion control (RH)...	1	30	805258	Washer, 5/16 std.....	4
12	632208	Arm, pump control.....	2	31	805257	Washer, 5/16 SAE.....	4
13	632213	Bracket, motion control (LH)...	1	32	806753	Pin, cotter 3/32 x 1/2.....	2
14	632215	Bracket, motion control (RH)...	1	33	808280	Pin, clevis 5/16 x 1.....	2
15	633153	Link, pump control.....	2	34	809001	Nut, whizlock 5/16-18.....	4
16	633102	Bearing, flanged.....	4	35	809007	Nut, whizlock 3/8-16.....	8
17	633152	Ball joint (LH).....	2	36	809012	Nut, whizlock 1/4-20.....	4

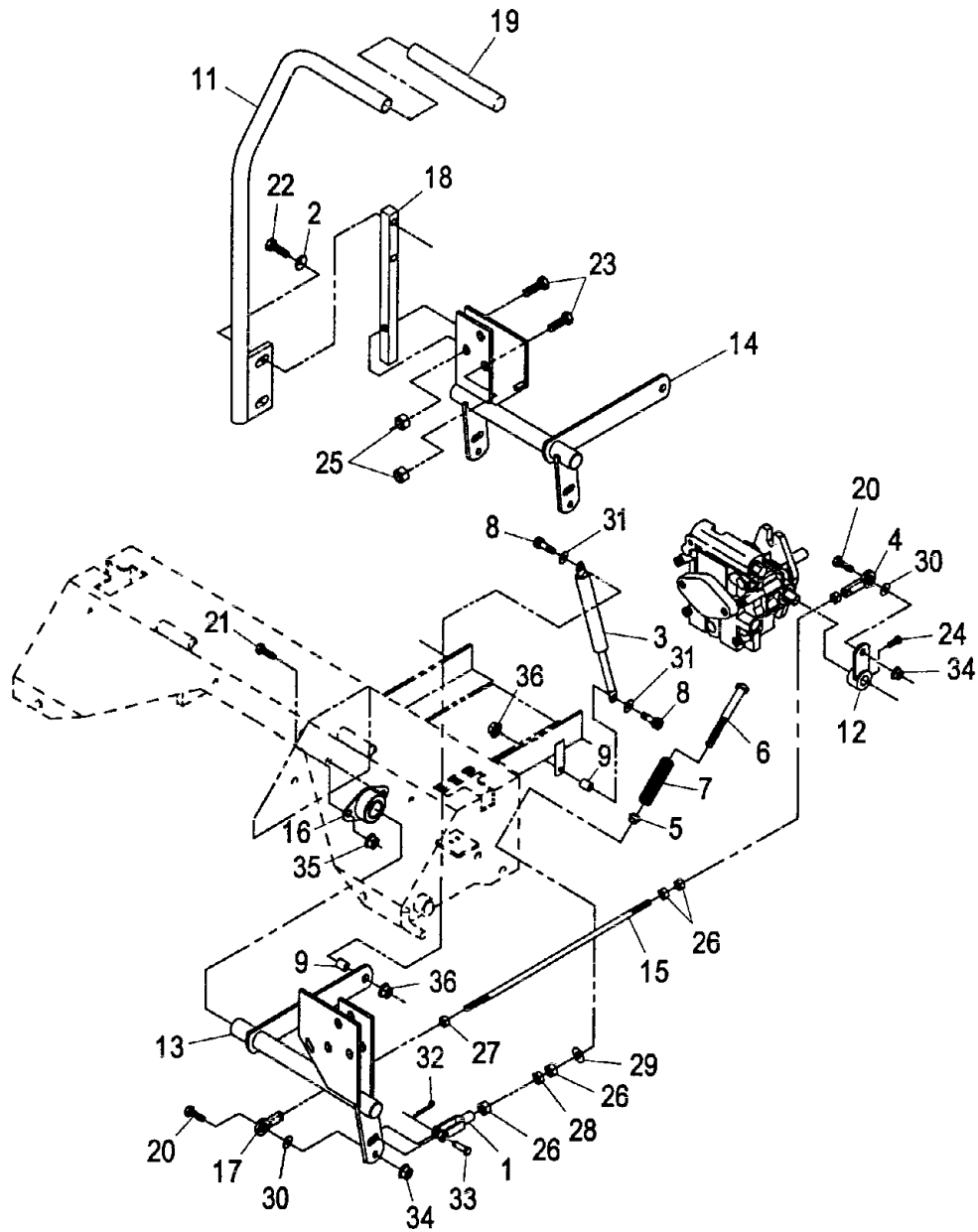
* Not Illustrated.

Exmark black touch up spray paint - gloss black

◇ Use Pro-Lock, Nut Type (P/N 840022, .5ml tube) on setscrews

◆ Use Pro-Lock, Retaining Type (P/N 840023, .5cc tube) on damper mounting shoulder bolts

MOTION CONTROL LEVERS



HYDRAULIC GROUP

Ref. No.	Part No.	Description	Qty. Req'd.	Ref. No.	Part No.	Description	Qty. Req'd.
1	403102	Hose, Lower 52" & 60"	2	31	633167	Pulley, idler w/bushing	1
2▽	512166	Tank, hydraulic reservoir.....	1	32	633335	Hose, low pressure (14 1/2")...	2
3▽	513006	Head, filter.....	1	33	634277	Arm, w/bearing.....	1
4	513034	Bearing, pivot	2	34	800252	Screw, 1/4-20 x 3/4	2
5	513167	Cap, hydraulic tank.....	1	35	800294	Screw, 3/8-16 x 1 1/2	1
6	513211	Element, hydraulic oil filter	1	36	800295	Screw, 3/8-16 x 1 3/4	1
◆	523541	Element, hyd oil filter(winter) ...	1	37	800805	Screw, 3/8-16 x 3 1/2	1
7	513840	Elbow, 90° w/O-ring.....	2	38	803016	Screw, 3/8-16 x 1 whizlock	4
	603921	O-Ring	1	39◇	803022	Setscrew, 5/16-18 x 5/8	2
8	522217	Hose, low pressure (7").....	1	40◇	803046	Setscrew, 5/16-18 x 1	2
9	523103	Gasket, tank cap	1	41◇	803050	Setscrew, 5/16-18 x 3/4	2
10	523222	Elbow, 45° (w/O-rings)	4	42	805004	Lockwasher, 1/4.....	2
	603919	O-Ring (SAE #10)	1	43	805258	Washer, 5/16 std.....	1
	603992	O-Ring (37° flare #8)	1	44	805260	Washer, 3/8 std.....	1
11	523328	Motor, wheel drive	2	45	807263	Key, 1/4 x 1/4 x 1 1/4	1
	000099	Kit, seal.....	1	46	807272	Key, 5mm x 5mm x 25mm.....	2
	000139	Kit, bearing	1	47	809007	Nut, 3/8-16 whizlock.....	8
12	603384	Bushing, idler pivot	1	48	809012	Nut, whizlock 1/4-20.....	2
13	603413	Spring, pump drive idler	1	49	811008	Zerk, 90° 1/4-28	1
14	603721	Fitting, tee (3/8" i.d. hose)	1	50	800251	Screw, 1/4-20 x 5/8	2
15	603722	Fitting, tee (1/4" i.d. hose)	1	51	603841	Pump, hydro.....	2
16	603826	Clamp, hose (1/2")	3		2513018	Kit, overhaul seal	1
17	603827	Clamp, hose (5/8")	5	52	633591	Tube, RH lower 52".....	1
18	603987	Elbow, 90° 7/16-JIC x 1/4-NPT	1		633603	Tube, RH lower 60".....	1
19	603988	Elbow, 90° 9/16-JIC x 1/4-NPT	1	53	633590	Tube, RH upper 52"	1
20	603989	Elbow, 90° (w/O-ring)	2		633602	Tube, RH upper 60"	1
	603923	O-Ring (SAE #4)	1	54	633588	Tube, LH upper 52".....	1
21	603990	Connector, strght. (w/O-rings).	4		633600	Tube, LH upper 60".....	1
	603920	O-Ring (SAE #8)	1	55	633589	Tube, LH lower 52"	1
	603992	O-Ring (37° flare #8).....	1		633601	Tube, LH lower 60"	1
22	613034	Hose, high pressure 60".....	2	56	633605	Elbow 90° (w/O-rings).....	4
	403102	Hose, high pressure 52".....	2		603919	O-Ring (SAE #10).....	1
23	632201	Arm, pump idler.....	1		603992	O-Ring (37° flare #8).....	1
24	632281	Hose, low pressure (12").....	1	57	633786	Elbow, 90°(w/O-rings).....	4
25	632282	Hose, low pressure (20 1/2")... ..	1		603919	O-Ring (SAE #10).....	1
26	632285	Hose, low pressure (11 1/4")... ..	1		603992	O-Ring (37° flare #8).....	1
27	632286	Hose, low pressure (4").....	1	58	633775	Hose, lower 52"	2
28	633568	Sheave, pump	2		633777	Hose, lower 60"	2
29	633567	Sheave, engine	1	59	633776	Hose, lower 60"	2
30	633569	Belt, pump drive	1		633774	Hose, lower 52"	2

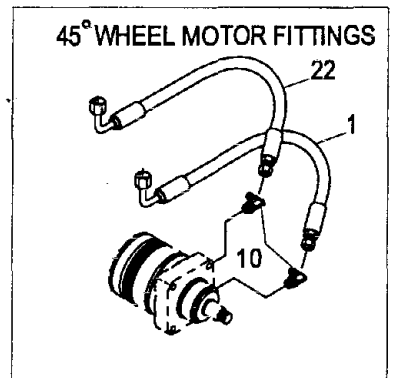
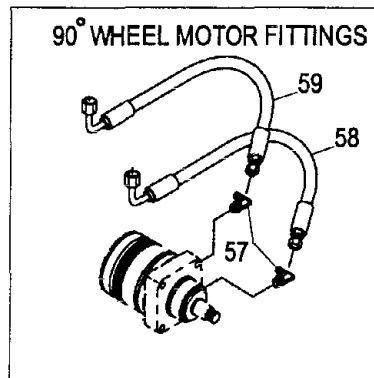
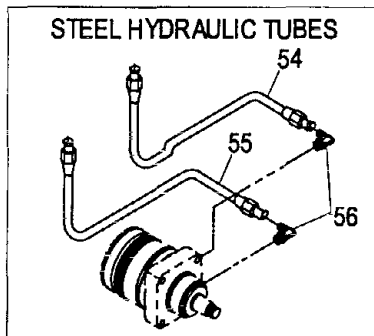
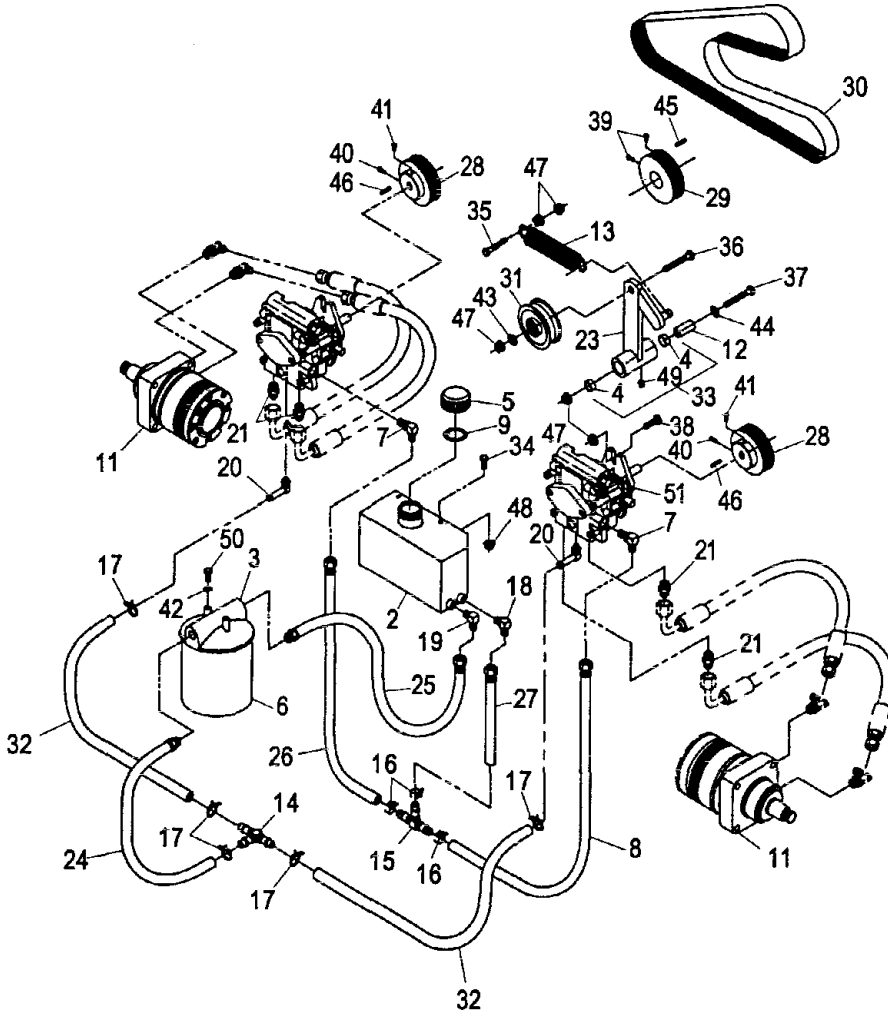
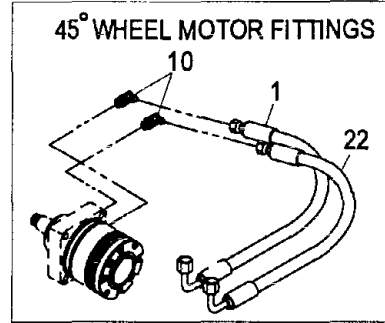
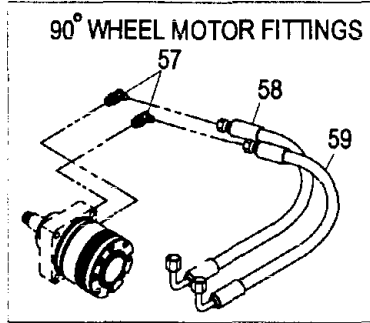
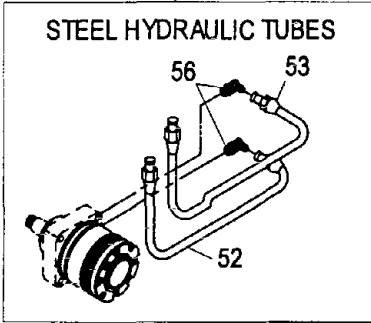
◇ Use Pro-Lock, Nut Type (P/N 840022, 5 ml tube) on setscrews.

▽ Use Teflon pipe sealant on pipe threads in reservoir & filter head.

Exmark black touch up spray paint - gloss black

◆ Use only for operation below 32°F (0°C)

HYDRAULICS GROUP



ENGINE DECK GROUP

Ref. No.	Part No.	Description	Qty. Req'd.	Ref. No.	Part No.	Description	Qty. Req'd.
1	800292	Screw, Hex Cap 3/8-16 x 1	2	18*	634797	Shield (RH) - subassembly	1
2	303335	Plastic tie	1	19	523285	Clip, shield	2
3	523420	Bumper, rubber	2	20*	633794	Baffle, engine (RH)	1
4	800274	Screw, Hex Cap 5/16 x 1 1/4...	1	21	800283	Screw, 5/16-18 x 3 1/2.....	1
5	633630	Grommet	2	22	800252	Screw, 1/4-20 x 3/4	10
6	603610	Washer, spring disc	2	23	613235	Washer	4
7	632672	Guard, rear engine	1	24	800292	Screw, 3/8-16 x 1	2
8	633543	Strap, clutch	1	25	800819	Screw, 7/16-20 x 2 1/2	1
9	631731	Clutch w/tie (22 HP)	1	26	803035	Rivet, 3/16 x 1/4	9
	631644	Clutch w/anchor (22 HP)	1	27	804255	Nut, nylock 1/4-20	4
	631732	Clutch w/tie (25 HP)	1	28	804257	Nut, nylock 3/8-16	2
	631645	Clutch kit (25 HP)	1	29	805256	Washer, 1/4 std.....	4
	611248	Clutch w/tie (18 HP)	1	30	805258	Washer, 5/16 std.....	1
	631801	Clutch kit (18 HP)	1	31	809001	Nut, whizlock 5/16-18.....	1
10	633453	Spacer (use w/ 18&22 HP).....	1	32	809007	Nut, whizlock 3/8-16.....	4
	633179	Spacer (use with 25 HP)	1	33	809012	Nut, whizlock 1/4-20.....	7
11	634308	Shield, lift - subassembly.....	1	34	633396	Clip, loom .56	1
12	633298	Shield, engine.....	1	35	809076	Screw, M6 x 1.0mm x 45mm..	2
13	633300	Shield, lift.....	1	36	323235	Washer, disc spring	2
14	634309	Shield (LH) - subassembly	1	37	323236	Spacer	2
15	633301	Shield, heat	2	38	633545	Spacer, Grommet	2
16	633305	Baffle, engine (LH)	1	39	633685	Spacer, clutch anchor	1
17	633466	Shield, muffler	1	40	804256	Nut, nyloc 5/16-18	1

* Not Illustrated.

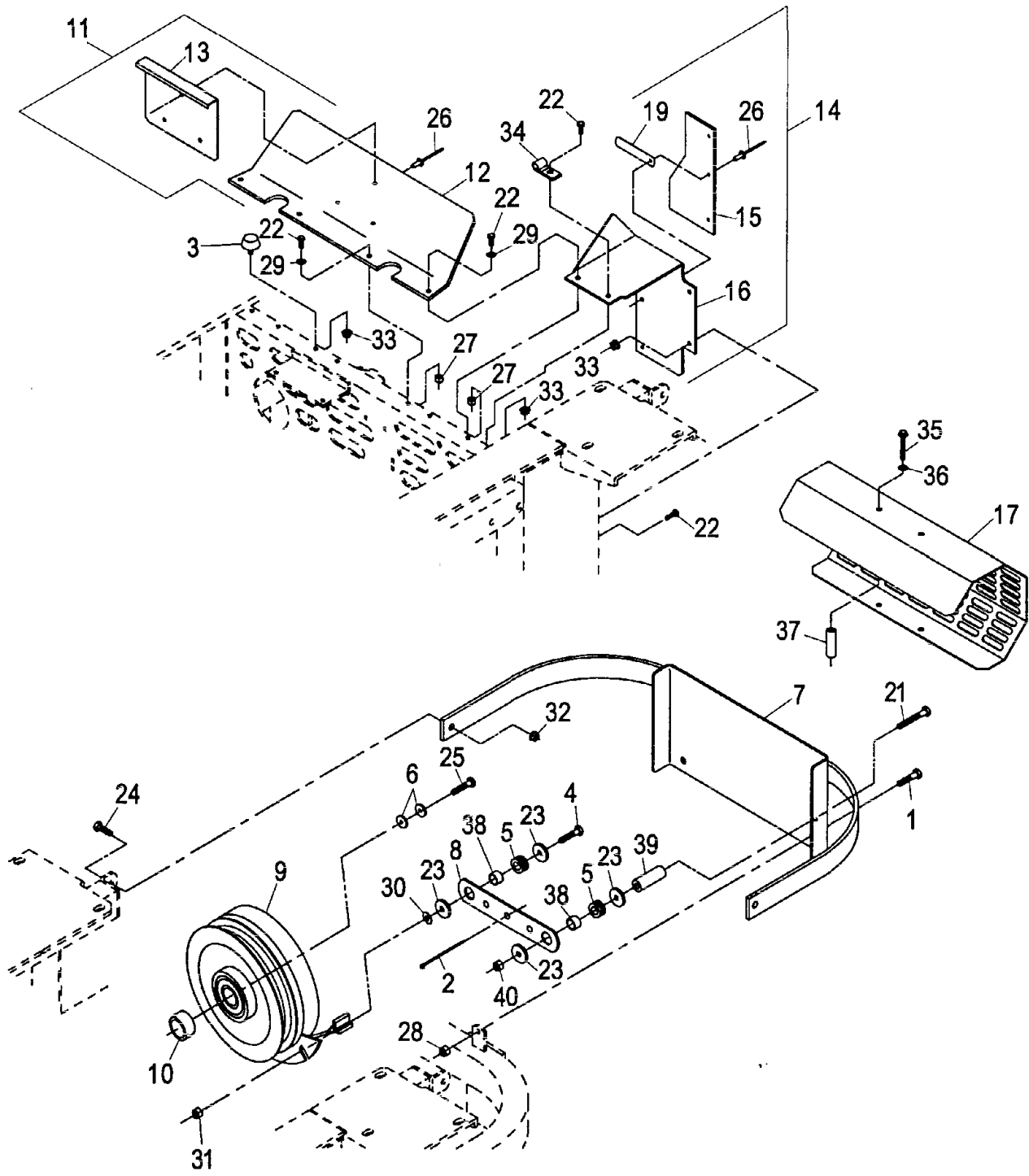
☒ Use Pro-Lock, Nut Type (P/N 840022, .5ml tube) on clutch bolt.
Exmark black touch up spray paint - gloss black

Kohler Replacement Parts List

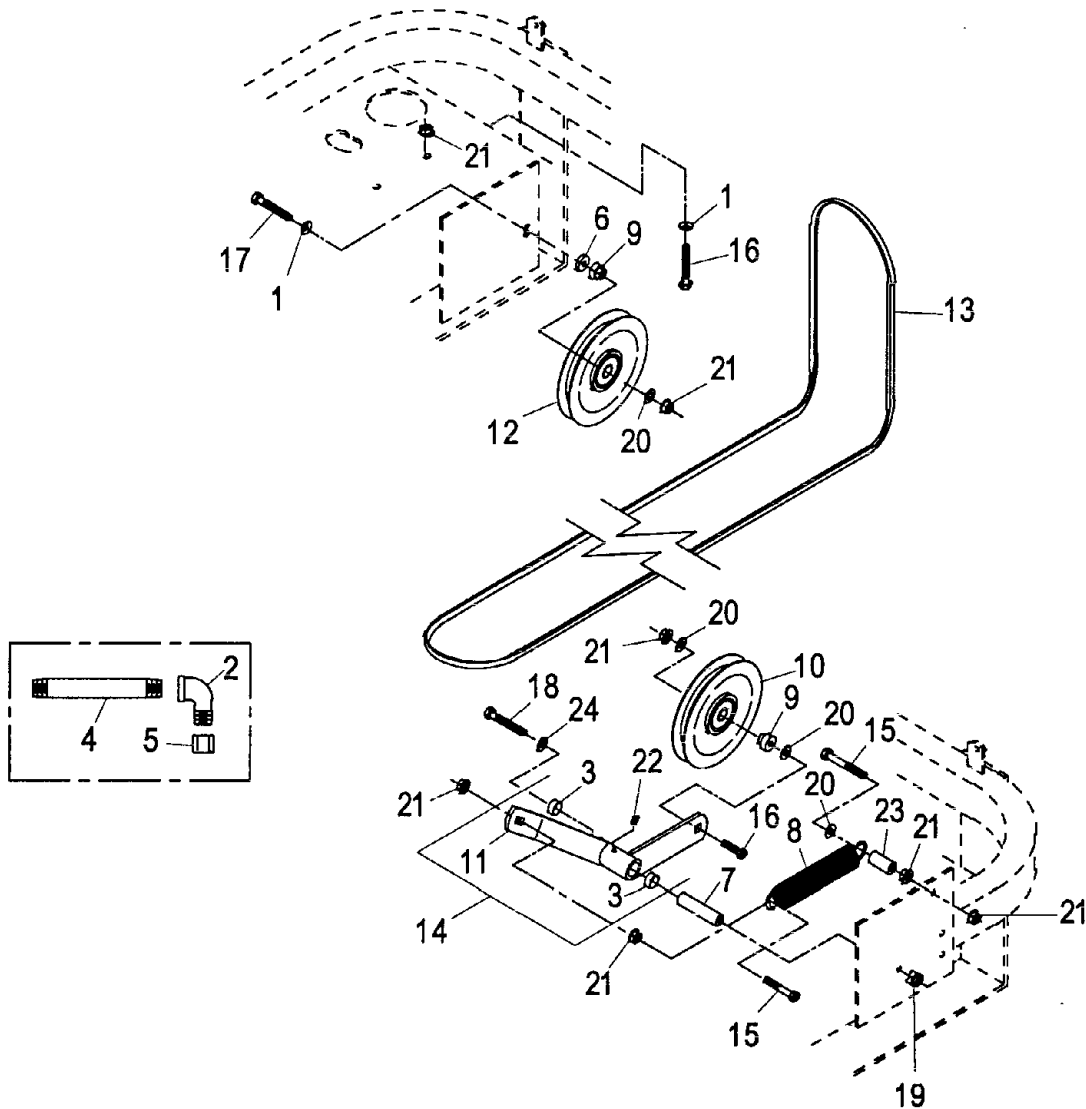
Note: Refer to Engine Owner's Manual

<u>Description</u>	<u>Kohler Part No.</u>
Engine Oil Filter	1205001
Air Precleaner (For 18 & 22 HP Engine)	2408302
(For 25 HP Engine)	2408305
Air Filter (For 18 & 22 HP Engine)	4708303
(For 25 HP Engine)	2408303

ENGINE DECK GROUP



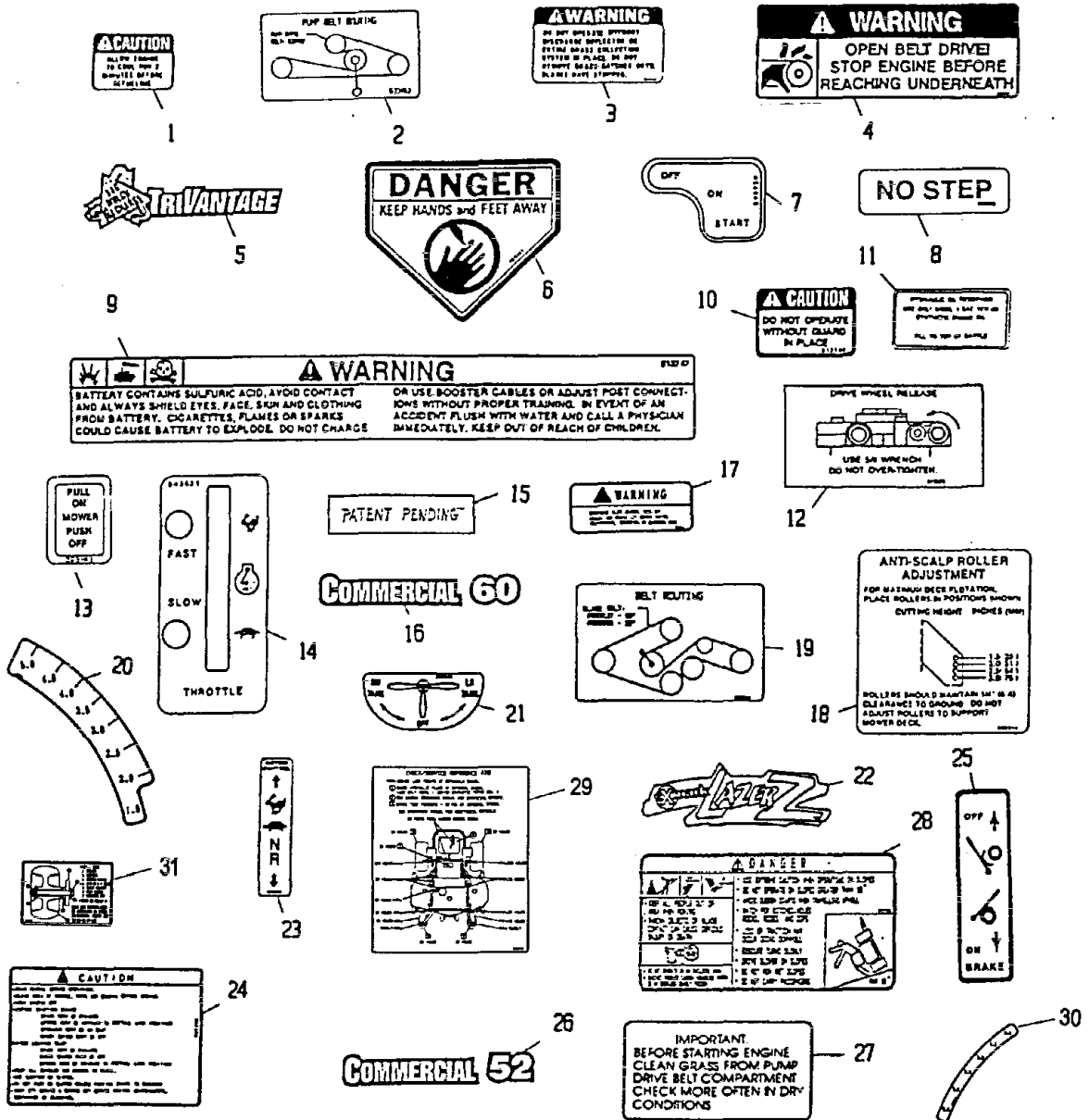
ENGINE DECK GROUP (con't.)



Ref. No.	Part No.	Description	Qty. Req'd.	Ref. No.	Part No.	Description	Qty. Req'd.
1	303327	Washer, spring disc 3/8.....	5	13	633173	Belt, mule drive.....	1
2∇	403124	Elbow, 3/8 NPT.....	1	14	632469	Arm, idler w/bushings.....	1
3	513034	Bearing.....	2	15	800297	Screw, 3/8-16 x 2 1/4.....	2
4∇	543232	Nipple, pipe 3/8 NPT.....	1	16	800295	Screw, 3/8-16 x 1 3/4.....	5
5∇	543233	Cap, oil drain 3/8 NPT.....	1	17	800299	Screw, 3/8-16 x 2 3/4.....	1
6	603050	Spacer.....	1	18	800805	Screw, 3/8-11 x 3 1/2.....	1
7	603384	Bushing, idler pivot.....	1	19	804257	Nut, nylock 3/8.....	1
8	603402	Spring, mule idler.....	1	20	805259	Washer, 3/8 sae.....	4
9	603496	Bushing, idler.....	2	21	809007	Nut, whizlock 3/8-16.....	10
10	603805	Pulley, idler.....	1	22	811008	Zerk, 1/4-20 (90°).....	1
11	632468	Arm, idler.....	1	23	603401	Spacer, spring.....	1
12	633166	Pulley, idler.....	1	24	805260	Washer, 3/8.....	1

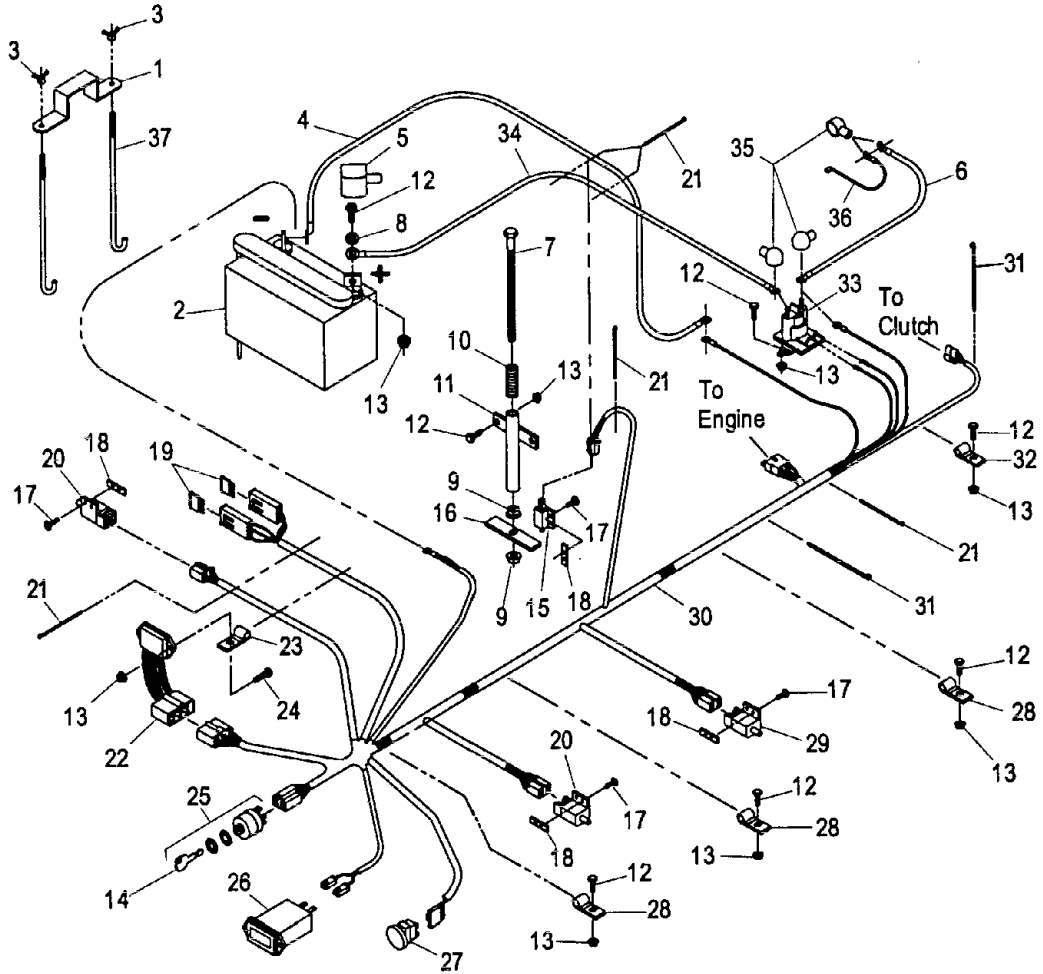
∇ Use a Teflon Pipe Sealant or equivalent on threads.
 Exmark black touch up spray paint - gloss black

DECAL GROUP



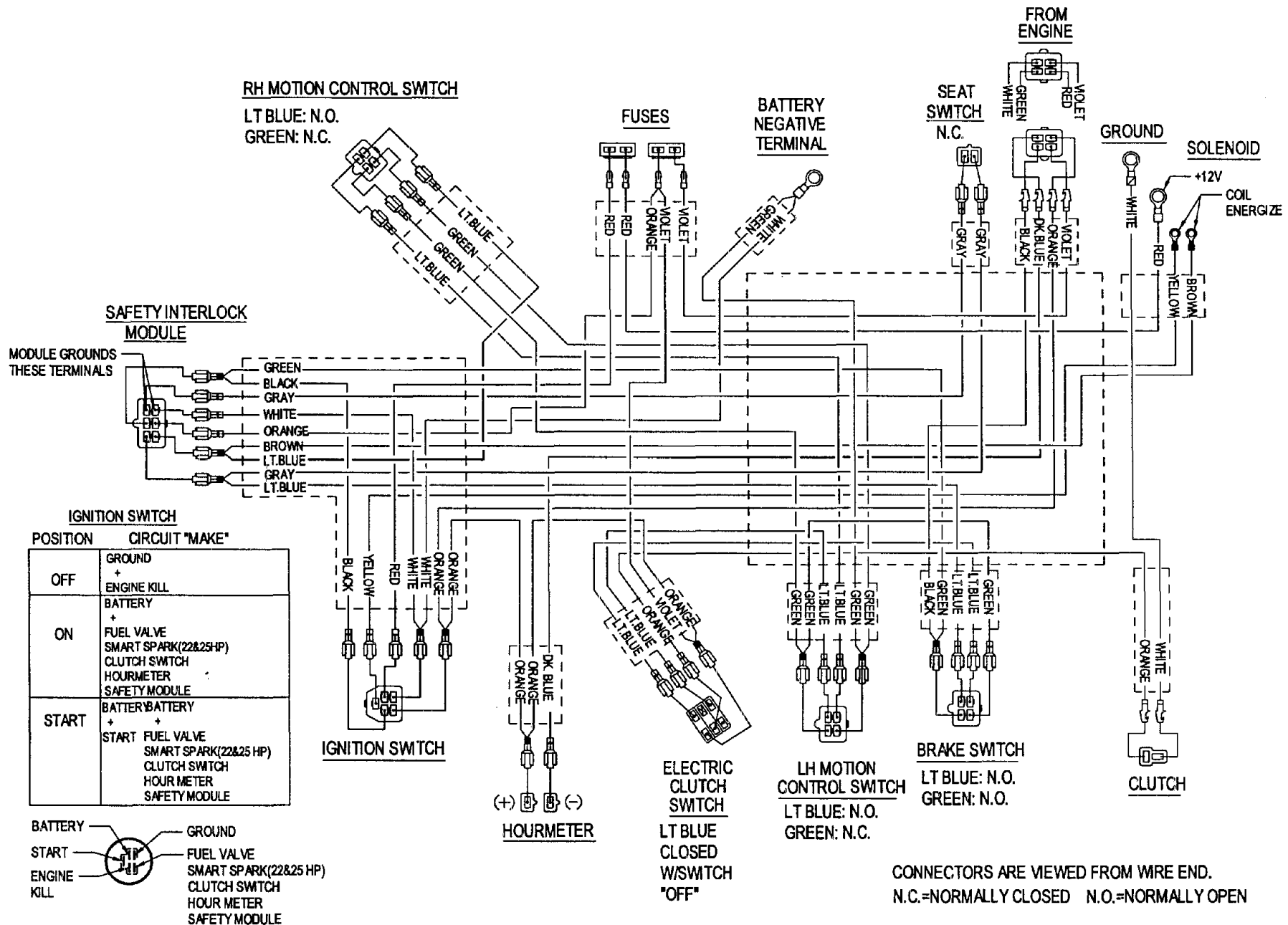
Ref. No.	Part No.	Description	Qty. Req'd.	Ref. No.	Part No.	Description	Qty. Req'd.
1	303293	Decal, 2 Minute Cool	2	17	633313	Decal, Warning.....	1
2	633599	Decal, Pump Belt Rtg	1	18	633314	Decal, Anti-Scalp.....	1
3	303508	Decal, Discharge Warning.....	1	19	633344	Decal, Belt Routing.....	1
4	303517	Decal, Belt Drive Warning	1	20	633345	Decal, Deck Height.....	1
5	303520	Decal, TriVantage	1	21	633346	Decal, Fuel Valve	1
6	403005	Decal, Danger.....	2	22	633350	Decal, Lazer Swash.....	2
7	513739	Decal, Ignition	1	23	633354	Decal, Motion Control.....	2
8	513742	Decal, No Step.....	2	24	633390	Decal, Instructional.....	1
9	513747	Decal, Battery	1	25	633391	Decal, Brake.....	1
10	513748	Decal, Guard (Caution).....	1	26	403132	Decal, Commercial 52.....	1
11	513890	Decal, Hydraulic Tank.....	1	27	633462	Decal, Important	2
12	513929	Decal, Drive Release	1	28	633558	Decal, Danger	1
13	323141	Decal, Blade Engagement.....	1	29	633702	Decal, Check Service	1
14	543631	Decal, Throttle	1	30	633706	Decal, Deck Height	1
15	373066	Decal, Patent Pending	2		631537	Decal Kit	
16	613050	Decal, Commercial 60	1	31	323540	Decal, Roller Mounting	1

ELECTRICAL GROUP



Ref. No.	Part No.	Description	Qty. Req'd.	Ref. No.	Part No.	Description	Qty. Req'd.
1	633652	Holdown-battery.....	1	19	816001	Fuse-20 amp.....	2
2	603479	Battery-12V.....	1	20	633111	Switch-drive lever N.O./N.C. ...	2
3	543792	Wingnut, nyloc.....	2	21	303287	Plastic tie (small).....	5
4	633307	Cable-battery (-) 40".....	1	22	543316	Module-safety interlock.....	1
5	543391	Insulator-battery.....	1	23	513762	Clip-loom .50.....	1
6	633306	Cable-starter (+) 8".....	1	24	800254	Screw, 1/4-20x1.....	1
7	800282	Screw, 5/16-18x7.....	1	25	543070	Switch-ignition w/ keys.....	1
8	805256	Washer, 1/4 flat.....	2	26	513374	Meter- engine hours.....	1
9	809001	Nut, 5/16-18 whizlock.....	2	27	633673	Switch.....	1
10	523415	Spring- seat switch.....	1	28	633396	Clip- loom .69.....	3
11	522424	Spring mount wldmt.....	1	29	633110	Switch- brake N.O./N.O.....	1
12	800252	Screw, 1/4-20x3/4.....	10	30	633677	Harness-wiring.....	1
13	809012	Nut, 1/4-20 whizlock.....	11	31	303335	Plastic tie (large).....	2
14	603511	Keys, ignition.....	1	32	323229	Clip- loom .38.....	1
15	513152	Switch- seat N.C.....	1	33	513075	Switch- 12v solenoid.....	1
16	513180	Actuator, seat switch.....	1	34	523281	Cable- battery (+) 30".....	1
17	803028	Screw, #10-24x5/8.....	8	35	543393	Insulator, solenoid (+).....	3
18	633181	Plate- tapped.....	4	36	543084	Wire- starter solenoid.....	1

◇ Use dielectric grease on all wiring harness connectors.



**SEE EXMARK'S COMPLETE
LINE OF PRODUCTS FOR TURF CARE**

LAZER Z

LAZER Z HP

EXPLORER

TURF RANGER

TURF TRACER

TURF TRACER HP

VIKING HYDRO

METRO

METRO HP

SELF STEERING SULKY

GRASS CATCHER

MICRO-MULCHING ACCESSORY

**EXMARK MFG. CO. INC.
INDUSTRIAL PARK BOX 808
BEATRICE, NE. 68310**

**PART NO. 850573
(402) 223-6300
FAX (402) 223-6384**

ALL RIGHTS RESERVED

PRINTED IN U.S.A.

